



US00D926848S

(12) **United States Design Patent** (10) **Patent No.:** **US D926,848 S**
Lack et al. (45) **Date of Patent:** **** Aug. 3, 2021**

(54) **WELDING MACHINE**
(71) Applicant: **Leister Technologies AG**, Kagiswil (CH)
(72) Inventors: **Andy Lack**, Rain (CH); **Fabian Meier**, Olten (CH)
(73) Assignee: **Leister Technologies AG**, Kagiswil (CH)

D780,240 S * 2/2017 Burgler D15/144
10,052,709 B2 * 8/2018 Burgler B29C 66/80
10,052,816 B2 * 8/2018 Sigrist B29C 66/1122
D845,367 S * 4/2019 Rieser D15/144
D888,193 S * 6/2020 Jenzeh D23/209
D896,290 S * 9/2020 Burgler D15/144
D904,476 S * 12/2020 Bernstein D15/144
10,894,369 B2 * 1/2021 Loetscher B29C 66/86523

(Continued)

(**) Term: **15 Years**
(21) Appl. No.: **29/708,476**
(22) Filed: **Oct. 7, 2019**

(30) **Foreign Application Priority Data**
May 6, 2019 (EM) 006427332-0001
(51) **LOC (13) Cl.** **15-09**
(52) **U.S. Cl.**
USPC **D15/144**
(58) **Field of Classification Search**
USPC D15/122, 144, 144.1, 144.2; D08/29, D08/29.1, 29.2, 30
CPC B29C 65/229; B29C 65/2084; B29C 65/7439; B29C 65/7841; B29C 65/00; B29C 65/02; B29C 65/30; B29C 65/20; B29C 65/78; B29C 66/43; B29C 66/73921; B29C 66/83; B29C 66/822; B29C 66/876; B29C 66/8362; B29C 66/83413; B29C 66/86523
See application file for complete search history.

(56) **References Cited**
U.S. PATENT DOCUMENTS
D509,117 S * 9/2005 Tillman D8/62
D558,803 S * 1/2008 Gisler D15/144
D726,793 S * 4/2015 von Wyl D15/144
9,415,541 B2 * 8/2016 Gisler B32B 37/10
D780,239 S * 2/2017 Burgler D15/144

OTHER PUBLICATIONS

Leisterworld, "UNIPLAN 500 automatic welder—automatic, practical, safe", (Published Jul. 15, 2019), Youtube.com, URL:<https://www.youtube.com/watch?v=rKcbK7ZIH54> (Year: 2019).*

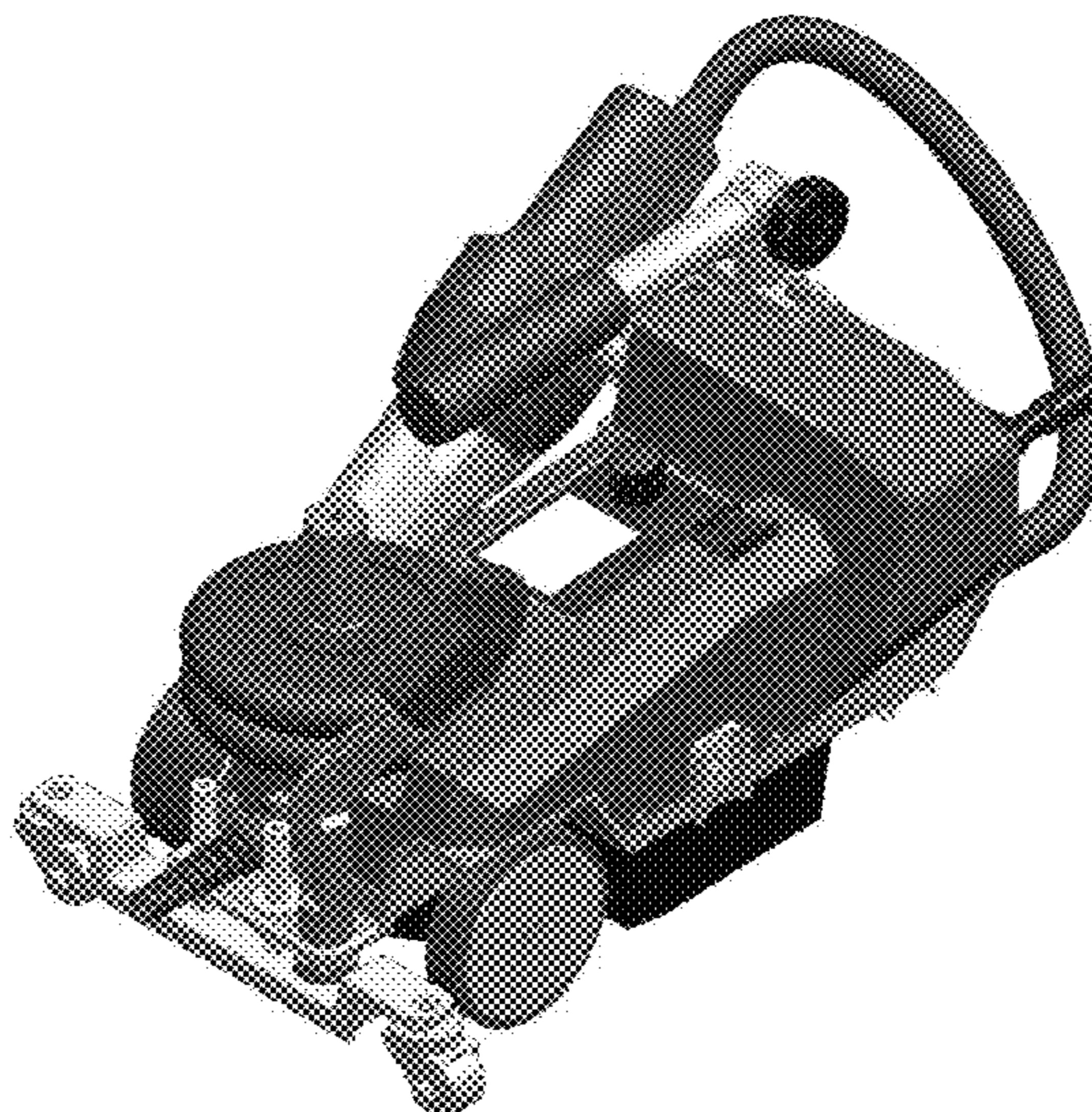
Primary Examiner — Sheryl Lane
Assistant Examiner — Mark T. Philipps
(74) *Attorney, Agent, or Firm* — Charles H. Jew

(57) **CLAIM**
The ornamental design for a welding machine, as shown and described.

DESCRIPTION

The file of this patent application contains at least one drawings/photograph executed in color. Copies of this patent with color drawing(s)/photograph(s) will be provided by the Patent and Trademark Office upon request and payment of the necessary fee.
FIG. 1 is a front perspective view of the welding machine showing our design;
FIG. 2 is a top plan view thereof;
FIG. 3 is a bottom plan view thereof;
FIG. 4 is a rear elevational view thereof;
FIG. 5 is a front elevational view thereof;
FIG. 6 is a right side elevational view thereof; and,
FIG. 7 is a left side elevational view thereof.
The green, blue, black and red colors shown in the drawings form part of the design.

1 Claim, 7 Drawing Sheets
(7 of 7 Drawing Sheet(s) Filed in Color)



(56)

References Cited

U.S. PATENT DOCUMENTS

10,894,372 B2 * 1/2021 Rothlin B29C 66/73921
2004/0011472 A1 * 1/2004 Zurmuhle B29C 66/43
156/502
2008/0066870 A1 * 3/2008 Gisler B29C 66/43
156/389
2008/0066871 A1 * 3/2008 Gisler B29C 66/8362
156/497
2017/0239880 A1 * 8/2017 Niederberger B29C 66/872
2017/0239882 A1 * 8/2017 Niederberger B29C 65/72
2017/0274578 A1 * 9/2017 Sigrist B29C 66/1122
2018/0319095 A1 * 11/2018 Sigrist B29C 66/1122
2020/0238631 A1 * 7/2020 Rothlin B29C 66/342

* cited by examiner

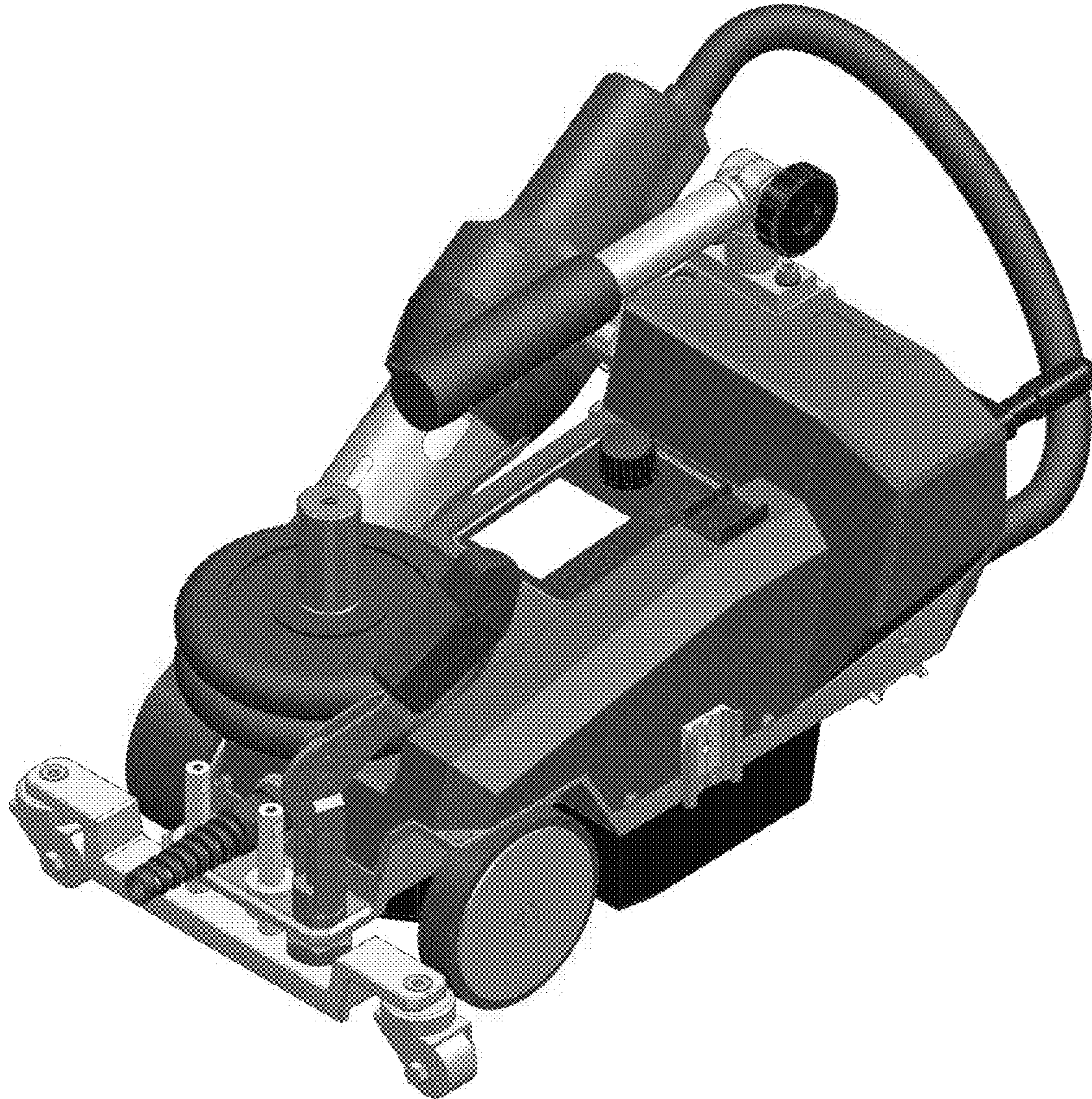


FIG. 1

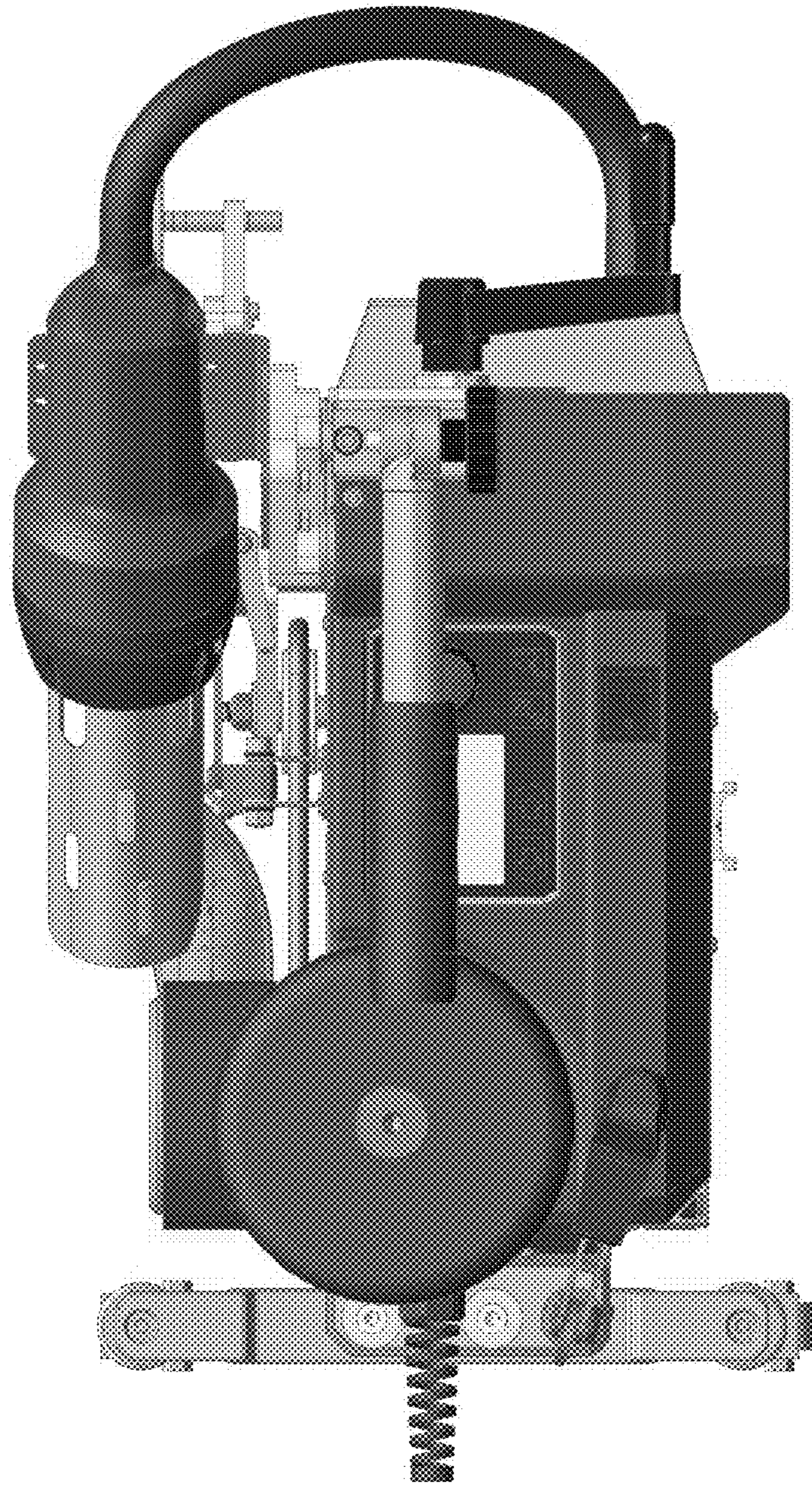


FIG. 2

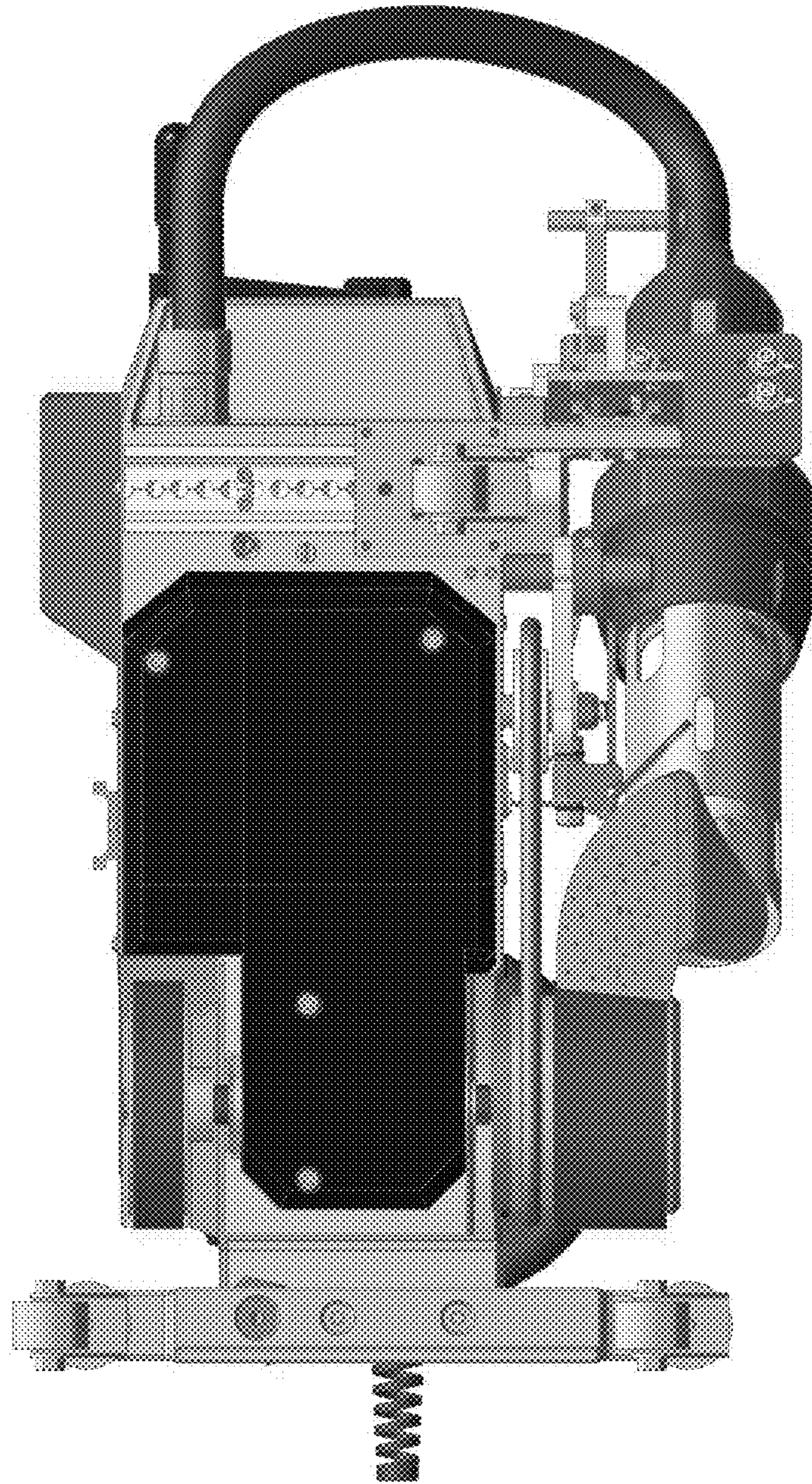


FIG. 3

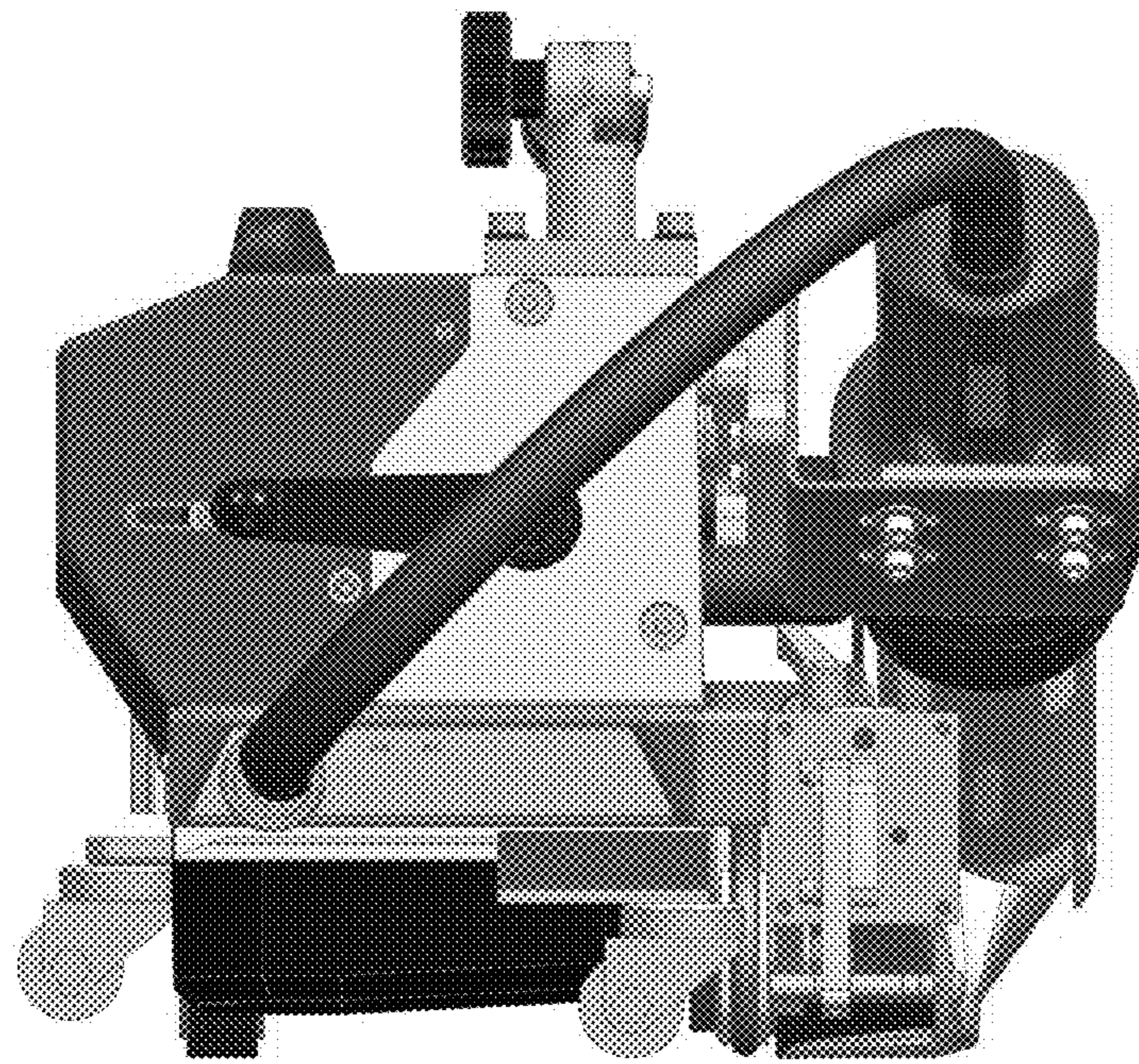


FIG. 4

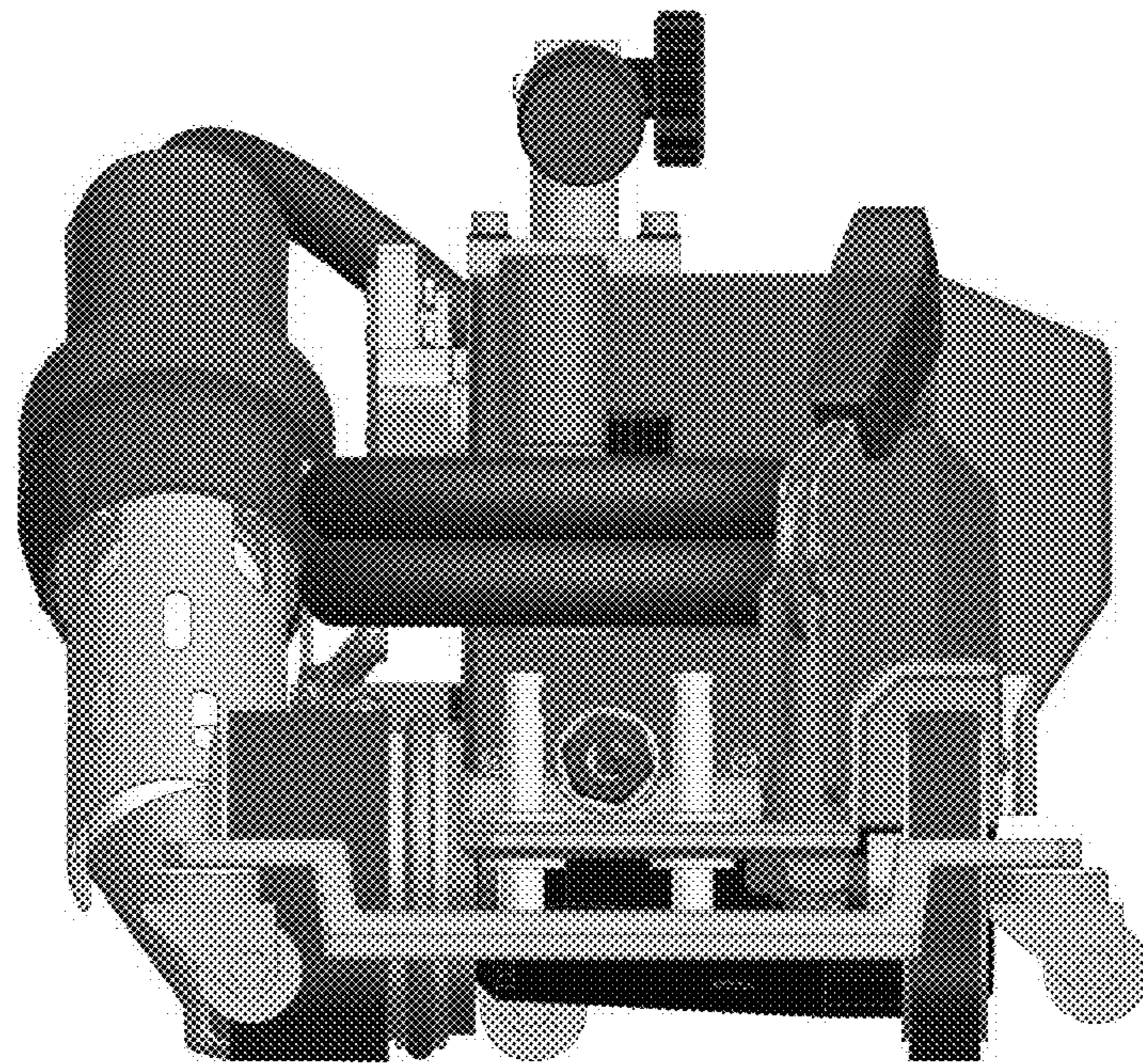


FIG. 5

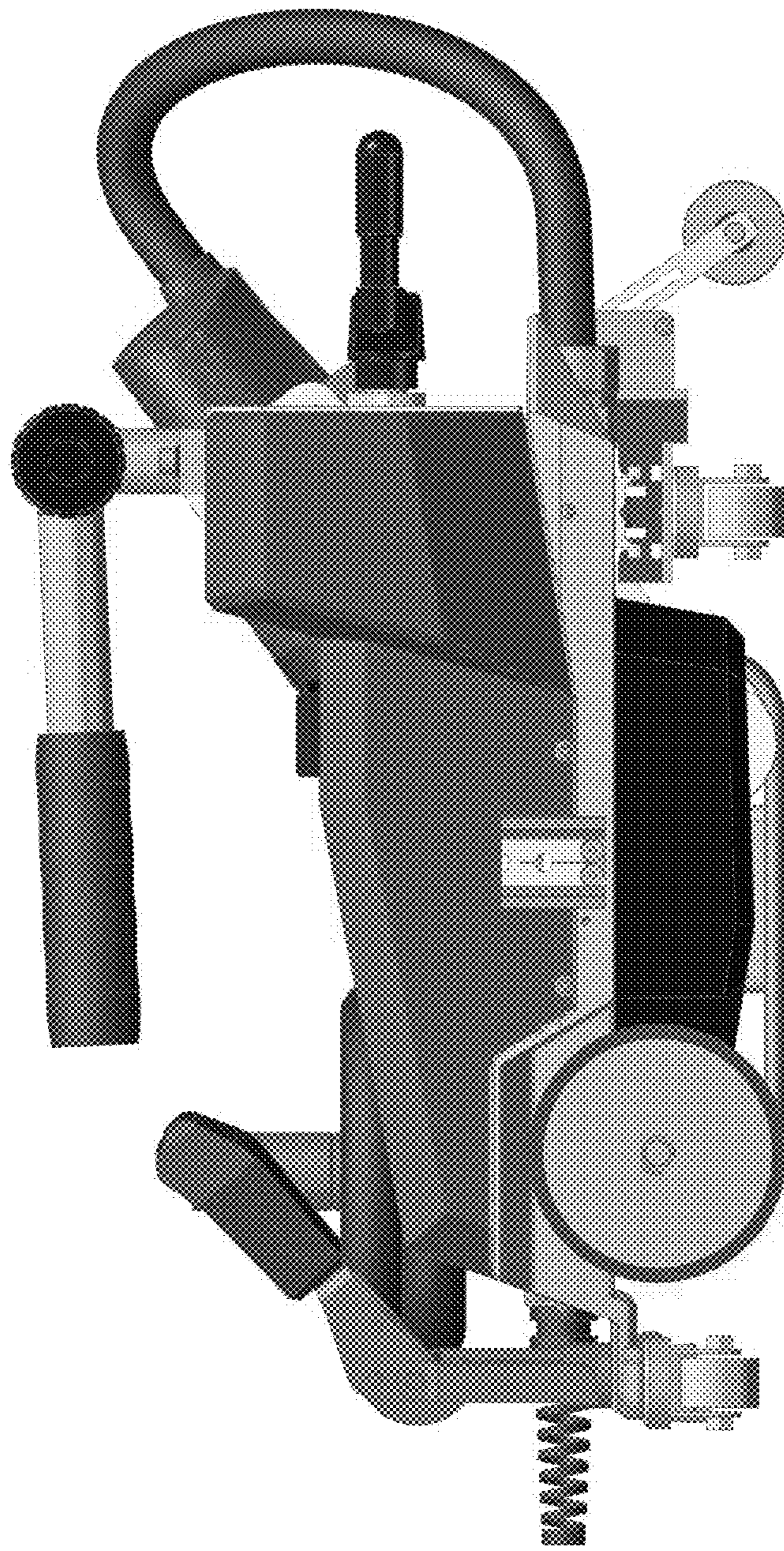


FIG. 6

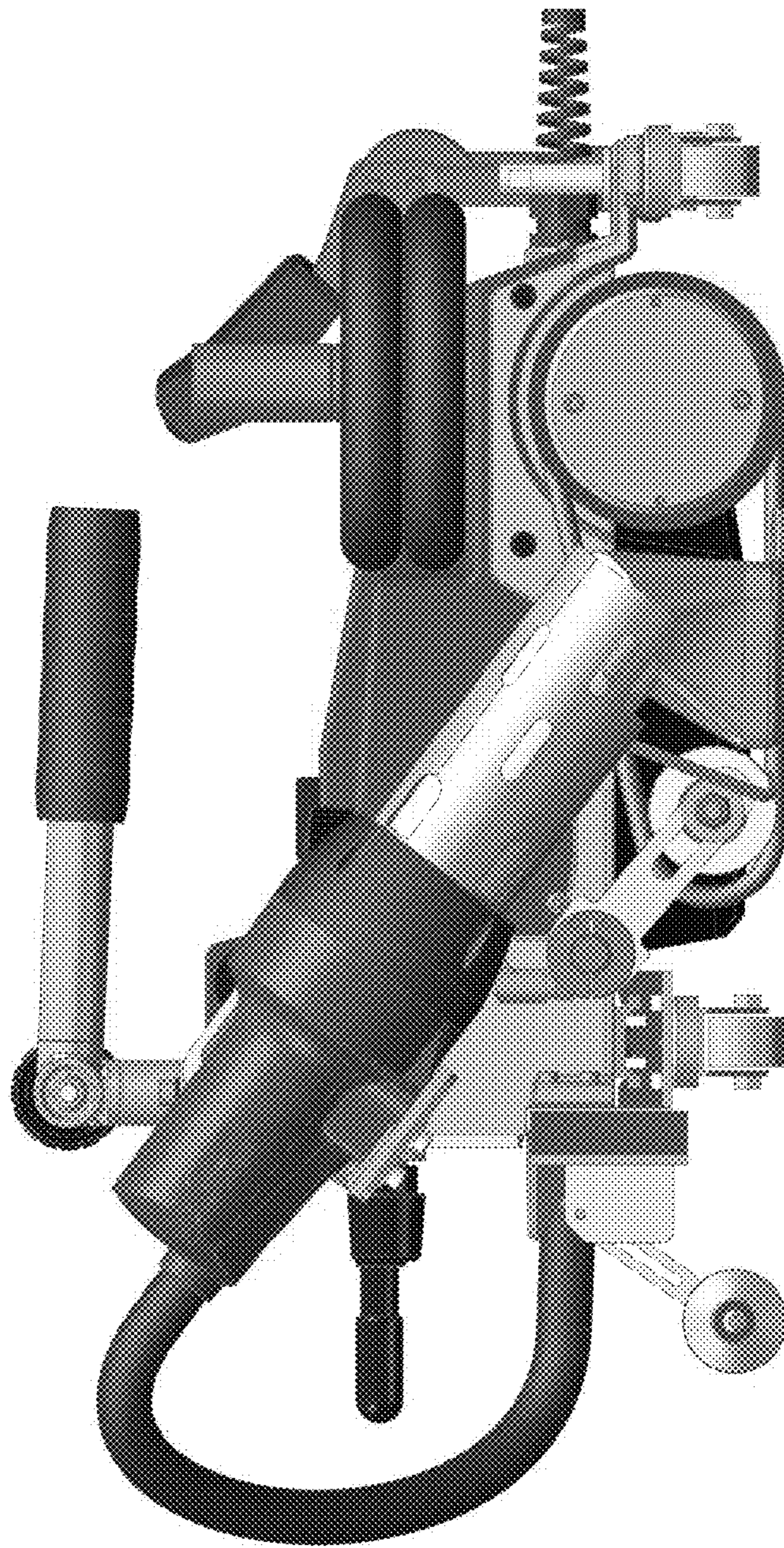


FIG. 7