



US00D926847S

(12) **United States Design Patent** (10) **Patent No.:** **US D926,847 S**
Flodman et al. (45) **Date of Patent:** **** Aug. 3, 2021**

(54) **MILLING CUTTER TOOL**

(56) **References Cited**

(71) Applicant: **SECO TOOLS AB**, Fagersta (SE)

U.S. PATENT DOCUMENTS

(72) Inventors: **Rikard Flodman**, Arboga (SE); **Kent Karlsson**, Fellingsbro (SE)

D250,388 S * 11/1978 Rantanen D15/21
D635,599 S * 4/2011 Furseth D15/139
D768,742 S * 10/2016 Charbonneau D15/139
D812,115 S * 3/2018 MacLennan B27B 33/12
D15/139

(73) Assignee: **SECO TOOLS AB**, Fagersta (SE)

(Continued)

(**) Term: **15 Years**

Primary Examiner — Khawaja Anwar

(21) Appl. No.: **29/681,693**

(74) *Attorney, Agent, or Firm* — Volpe Koenig

(22) Filed: **Feb. 27, 2019**

(57) **CLAIM**

We claim the ornamental design for a milling cutter tool, as shown and described.

(30) **Foreign Application Priority Data**

DESCRIPTION

Aug. 29, 2018 (EM) 005623543-0001
Aug. 29, 2018 (EM) 005623543-0002
Aug. 29, 2018 (EM) 005623543-0003
Aug. 29, 2018 (EM) 005623543-0004
Aug. 29, 2018 (EM) 005623543-0005
Aug. 29, 2018 (EM) 005623543-0006

FIG. 1 is a perspective view of a first embodiment of a milling cutter tool in accordance with our design;
FIG. 2 is a top plan view thereof;
FIG. 3 is a front elevational view thereof;
FIG. 4 is a left side elevational view thereof;
FIG. 5 is a rear elevational view thereof;
FIG. 6 is a right side elevational view thereof; and
FIG. 7 is a bottom plan view thereof;
FIG. 8 is a perspective view of a second embodiment of a milling cutter tool in accordance with our design;
FIG. 9 is a top plan view thereof;
FIG. 10 is a front elevational view thereof;
FIG. 11 is a left side elevational view thereof;
FIG. 12 is a rear elevational view thereof;
FIG. 13 is a right side elevational view thereof; and,
FIG. 14 is a bottom plan view thereof.

(51) **LOC (13) Cl.** **15-03**

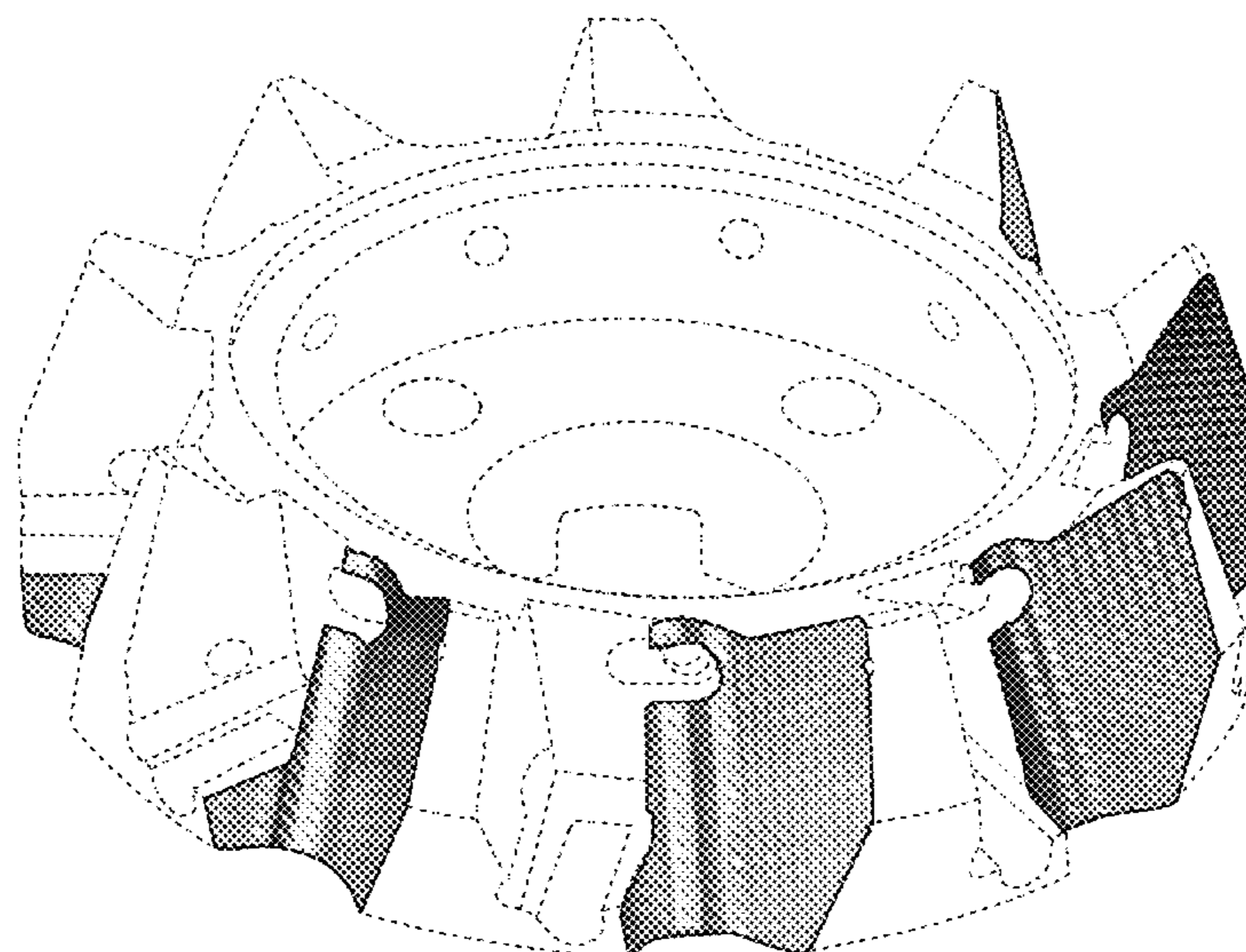
(52) **U.S. Cl.**
USPC **D15/139**

The broken lines represent portions of the milling cutter tool in which the design is embodied that form no part of the claimed design. Additionally, the light grey shaded areas in FIGS. 8-14 represent portions of the milling cutter tool in which the design is embodied that form no part of the claimed design.

(58) **Field of Classification Search**
USPC D15/128, 131, 138, 139, 140
CPC E21B 33/1208; E21B 23/00; E21B 10/00;
E21B 10/42; E21B 10/54; E21B 10/55;
E21B 10/602; E21B 17/00; E21B 17/023;
E21B 17/06; E21B 19/14; E21B 19/155;
E21B 21/103; E21B 23/02; E21B 23/14;
E21B 29/00; E21B 29/005; E21B 29/02;
E21B 29/06; E21B 31/107; E21B 31/113;
E21B 31/12; E21B 33/12; E21B 33/128;
E21B 33/129; E21B 33/1293; E21B
33/134; E21B 34/12; E21B 43/08; E21B
43/108; E21B 47/00; E21B 47/09; E21B
47/12; E21B 47/122; E21B 4/02; E21B
7/061; E21B 7/068

See application file for complete search history.

1 Claim, 14 Drawing Sheets



(56)

References Cited

U.S. PATENT DOCUMENTS

D823,909	S	*	7/2018	Kawakami	D15/139
D832,319	S	*	10/2018	Muthuswamy	D15/139
D851,145	S	*	6/2019	Davis	D15/139
D856,386	S	*	8/2019	Banjo	D15/139
D857,768	S	*	8/2019	Rhode	D15/139
D862,542	S	*	10/2019	Maeda	D15/139
D863,382	S	*	10/2019	Abe	D15/139
D879,168	S	*	3/2020	Zhao	D15/139
D896,850	S	*	9/2020	Stark	D15/29
2007/0231088	A1		10/2007	Waggle et al.		

* cited by examiner

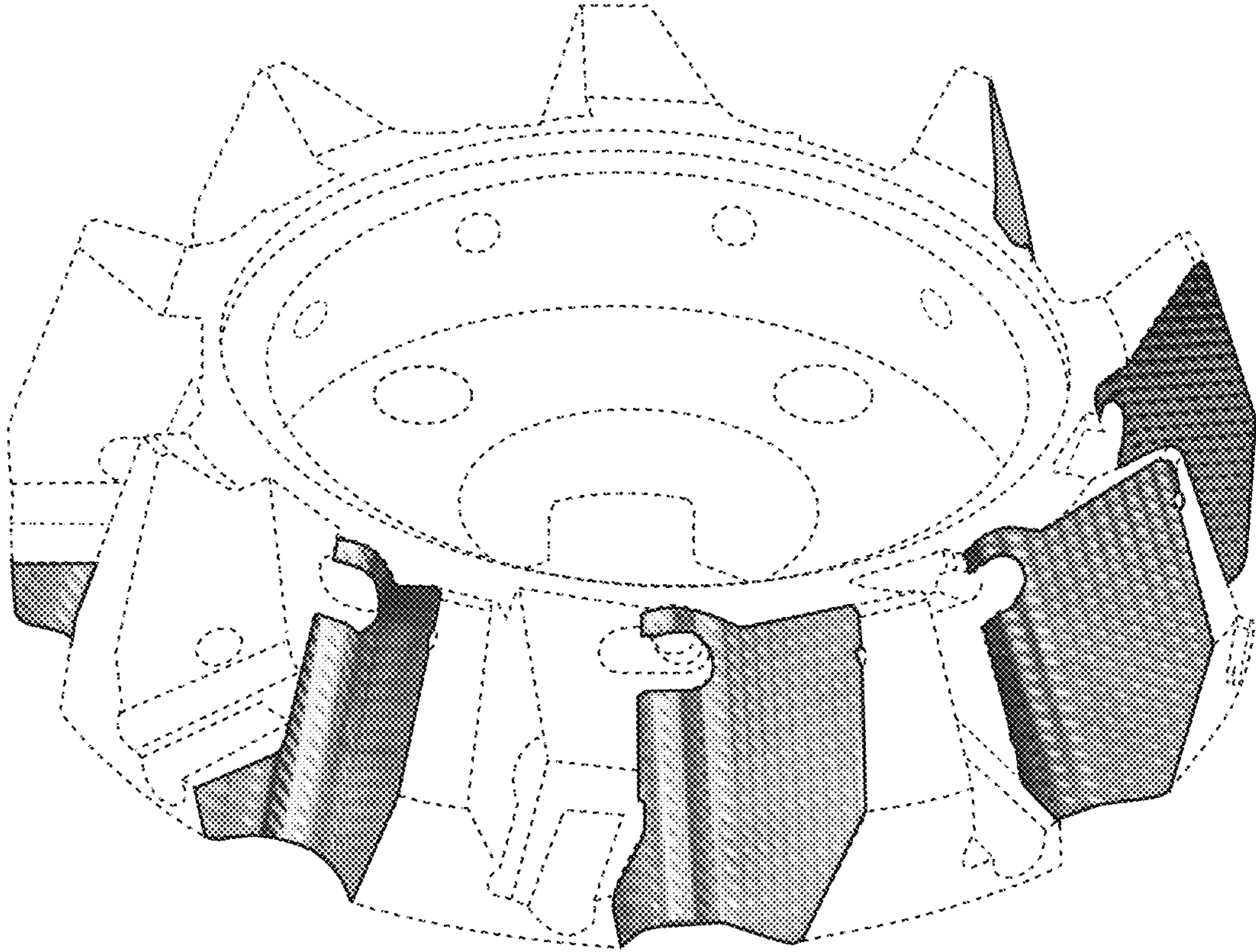


Fig. 1

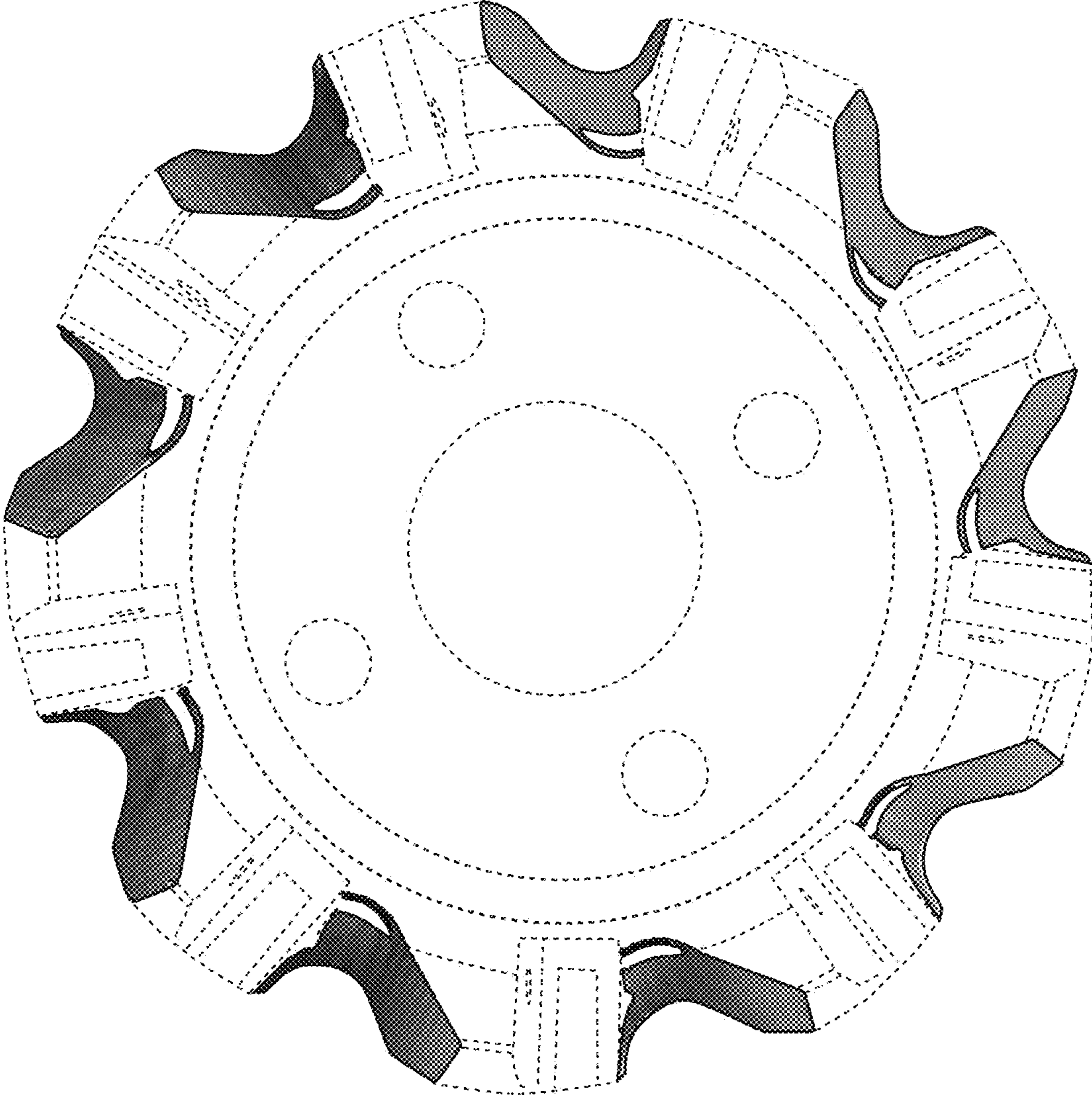


Fig. 2

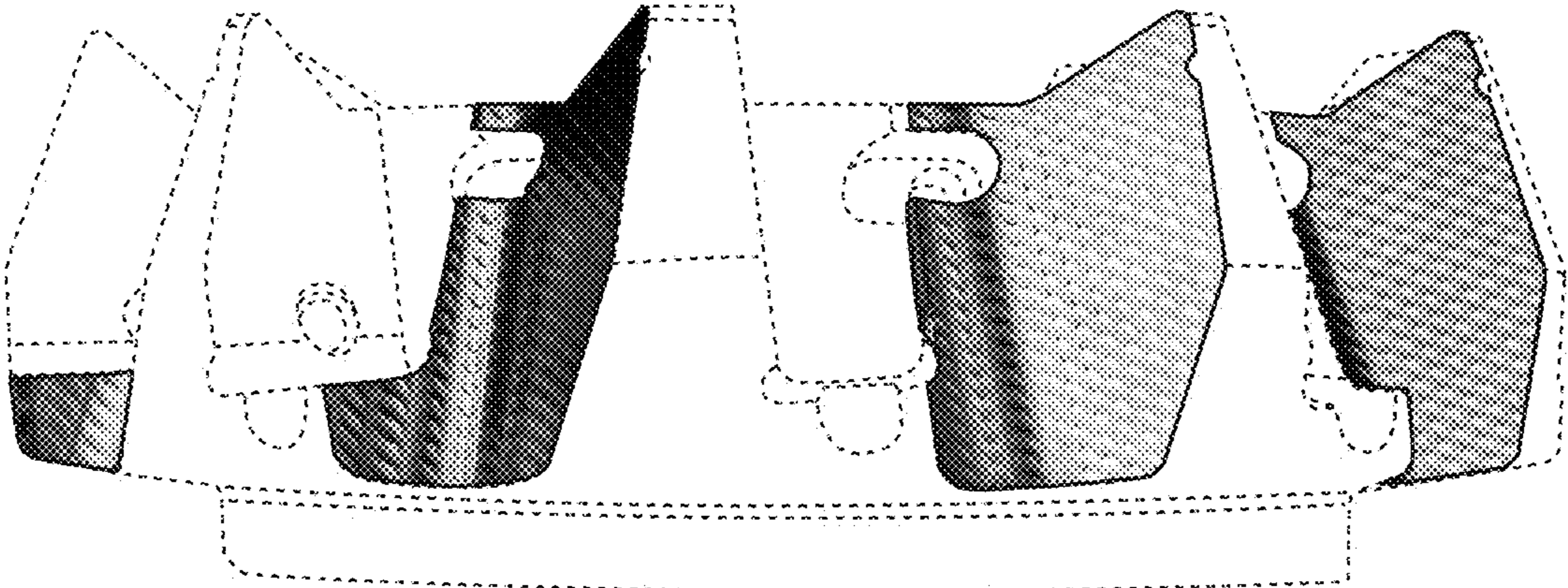


Fig. 3

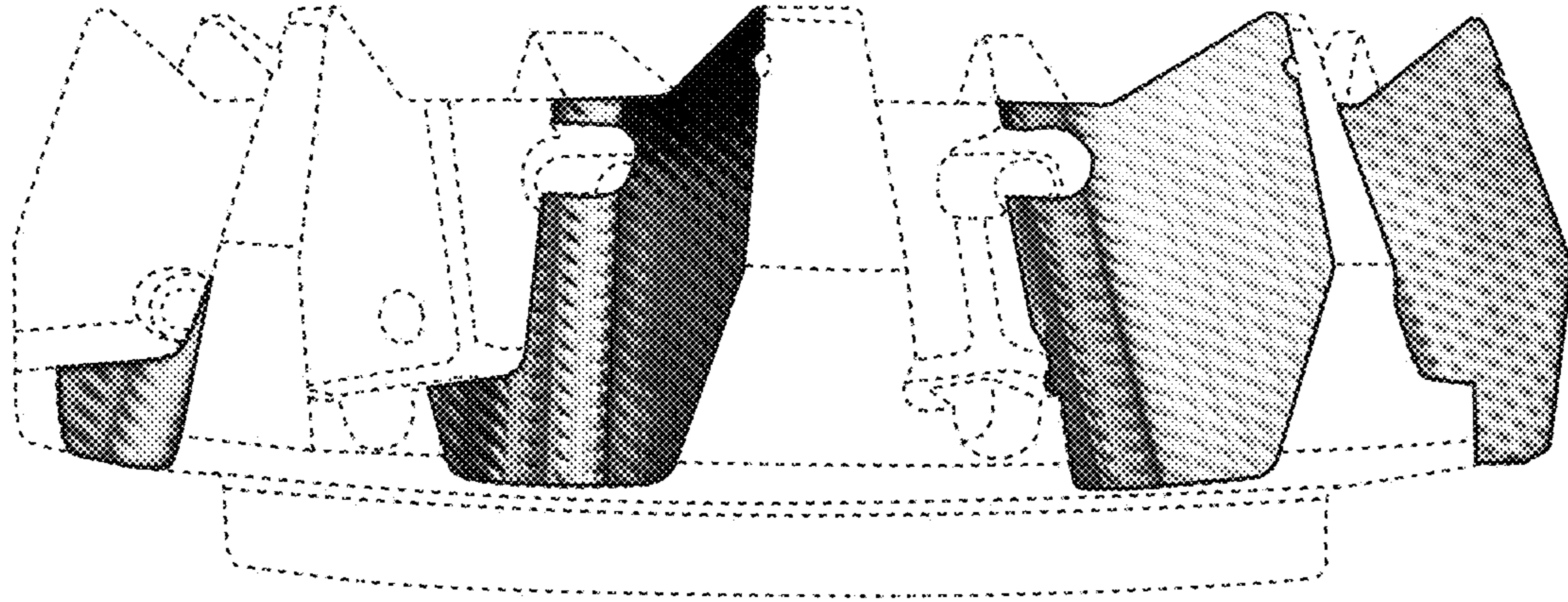


Fig. 4

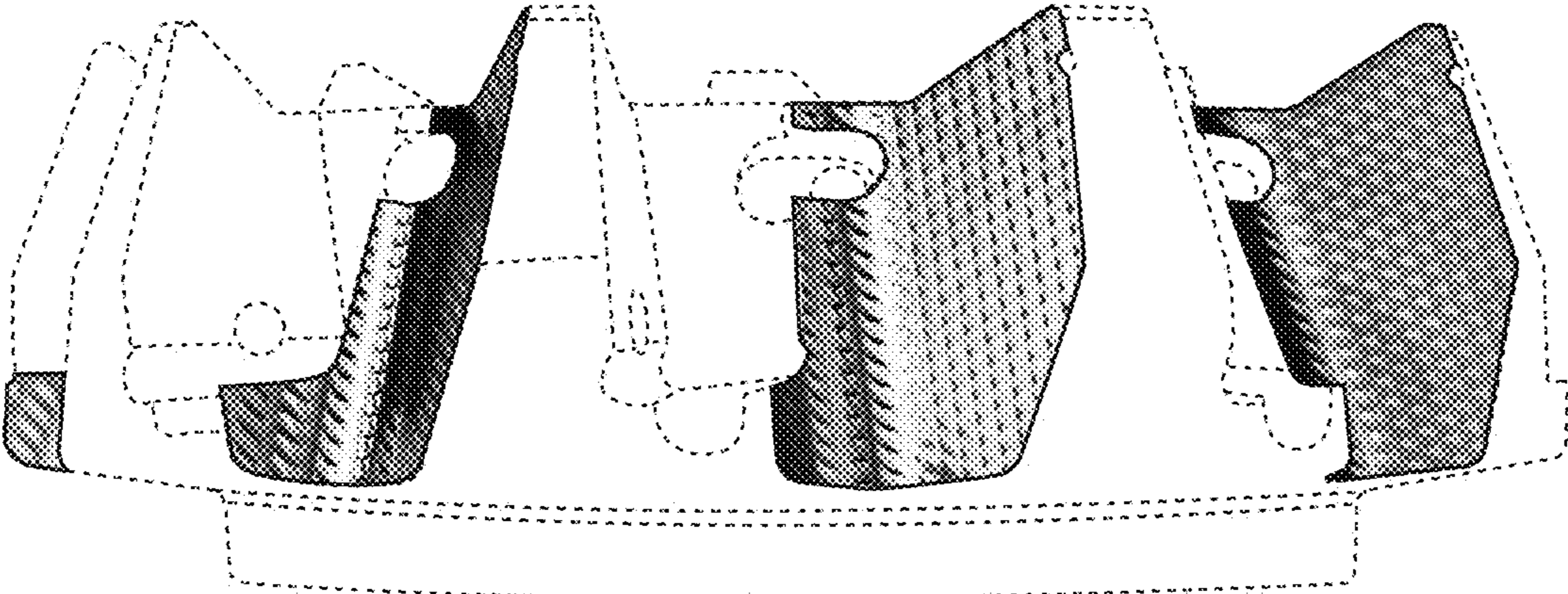


Fig. 5

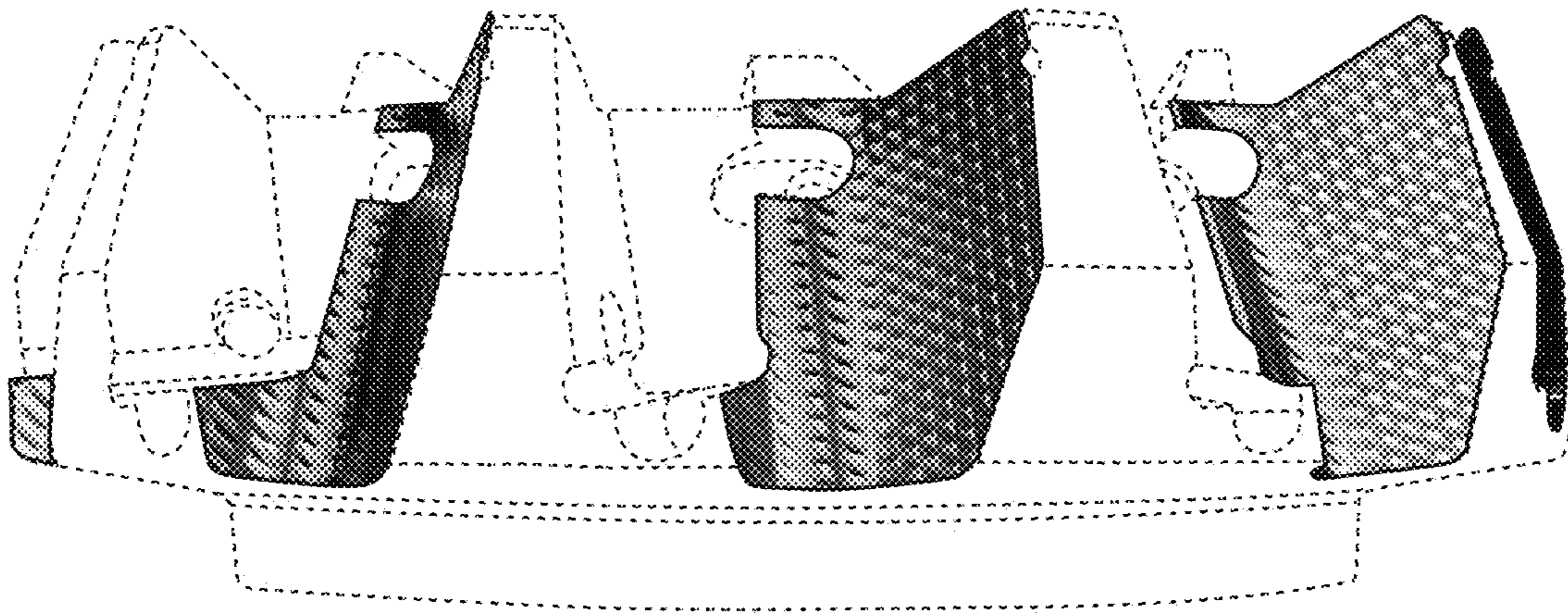


Fig. 6

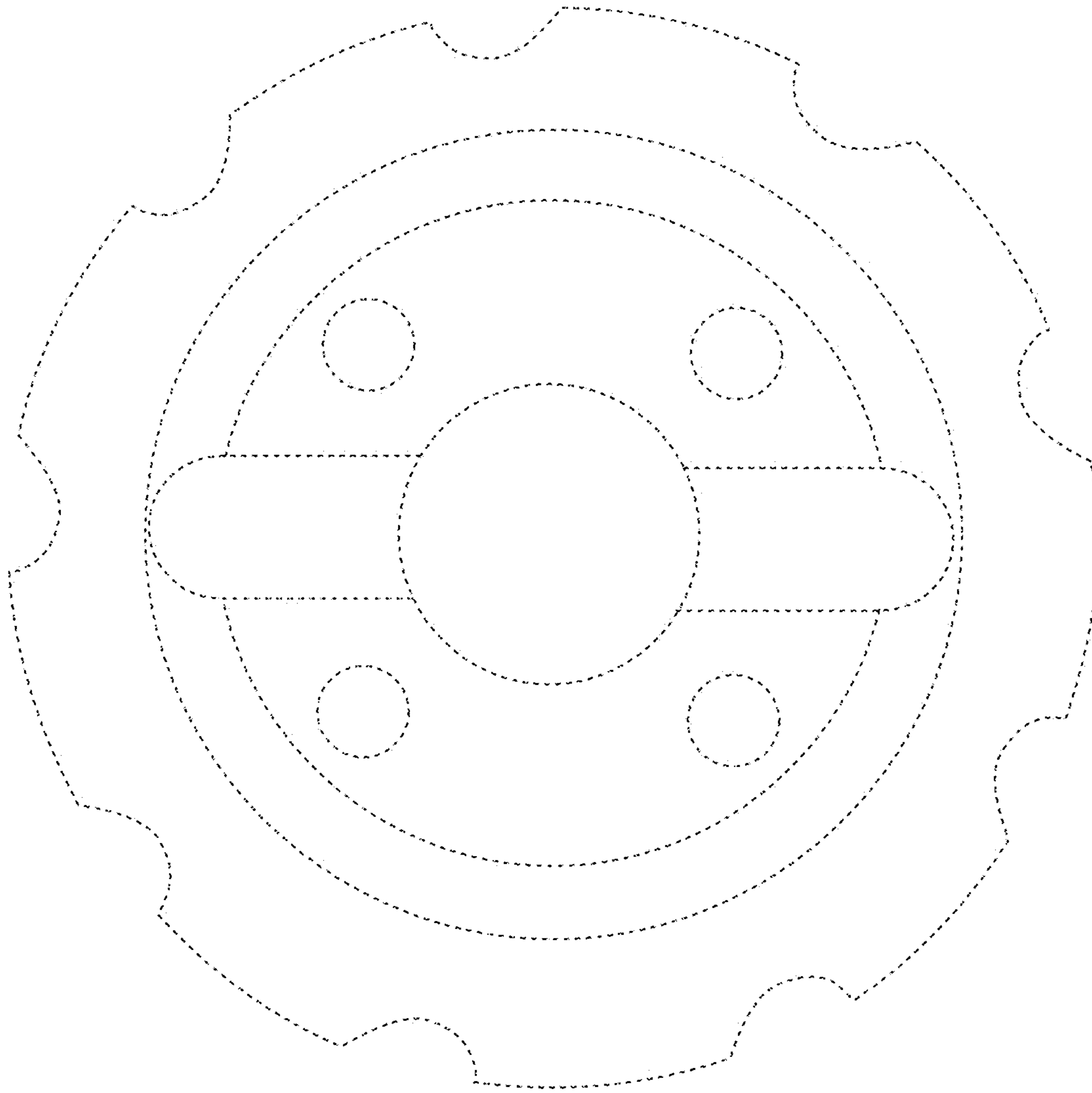


Fig. 7

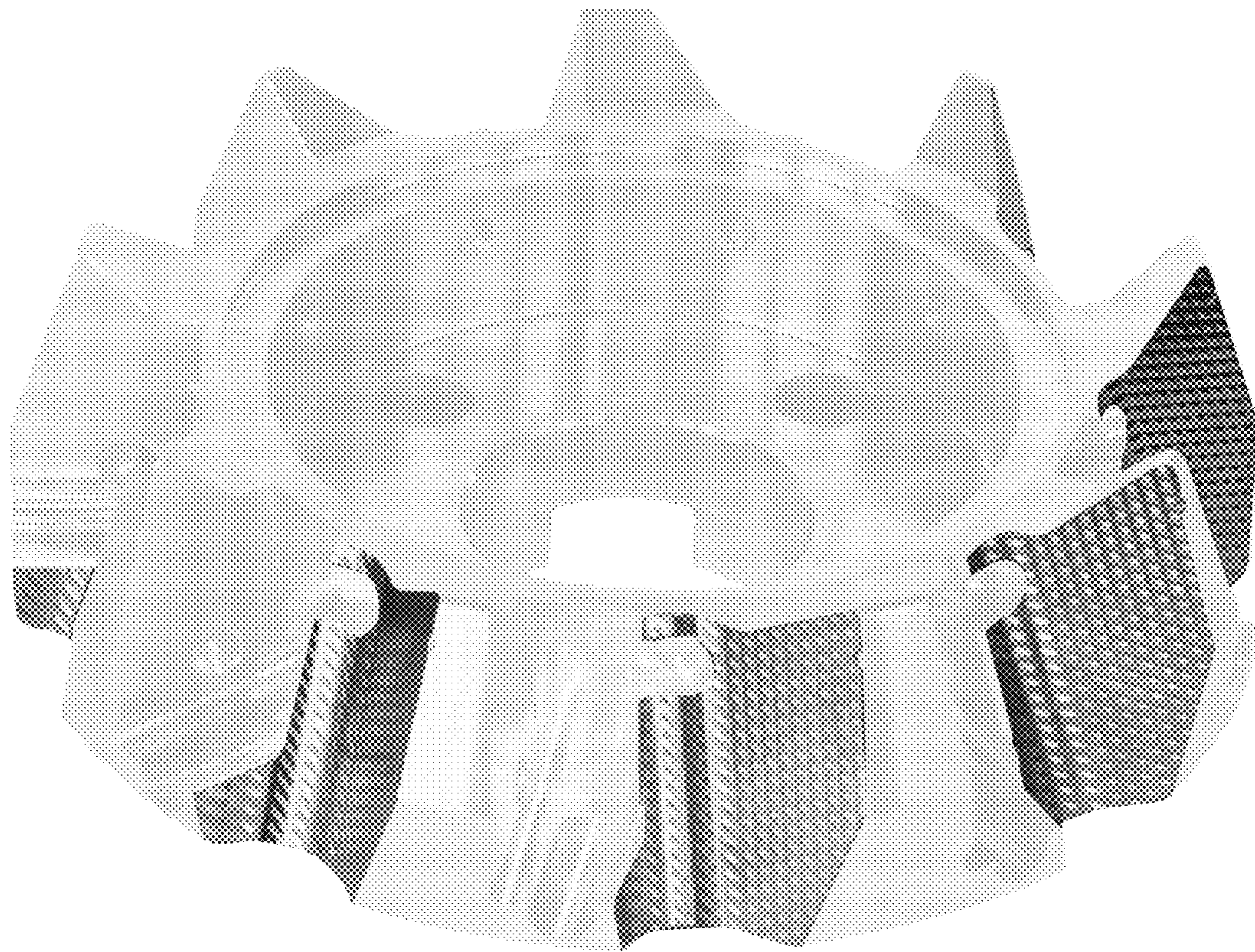


Fig. 8



Fig. 9

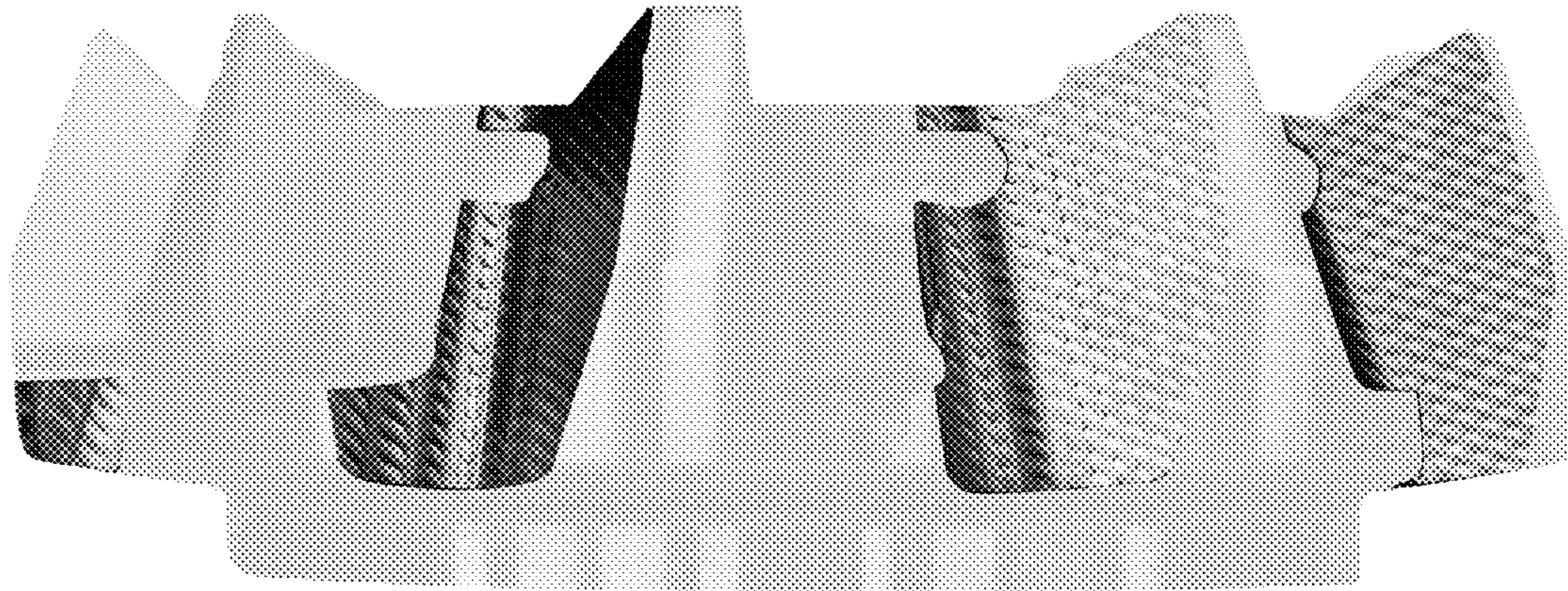


Fig. 10

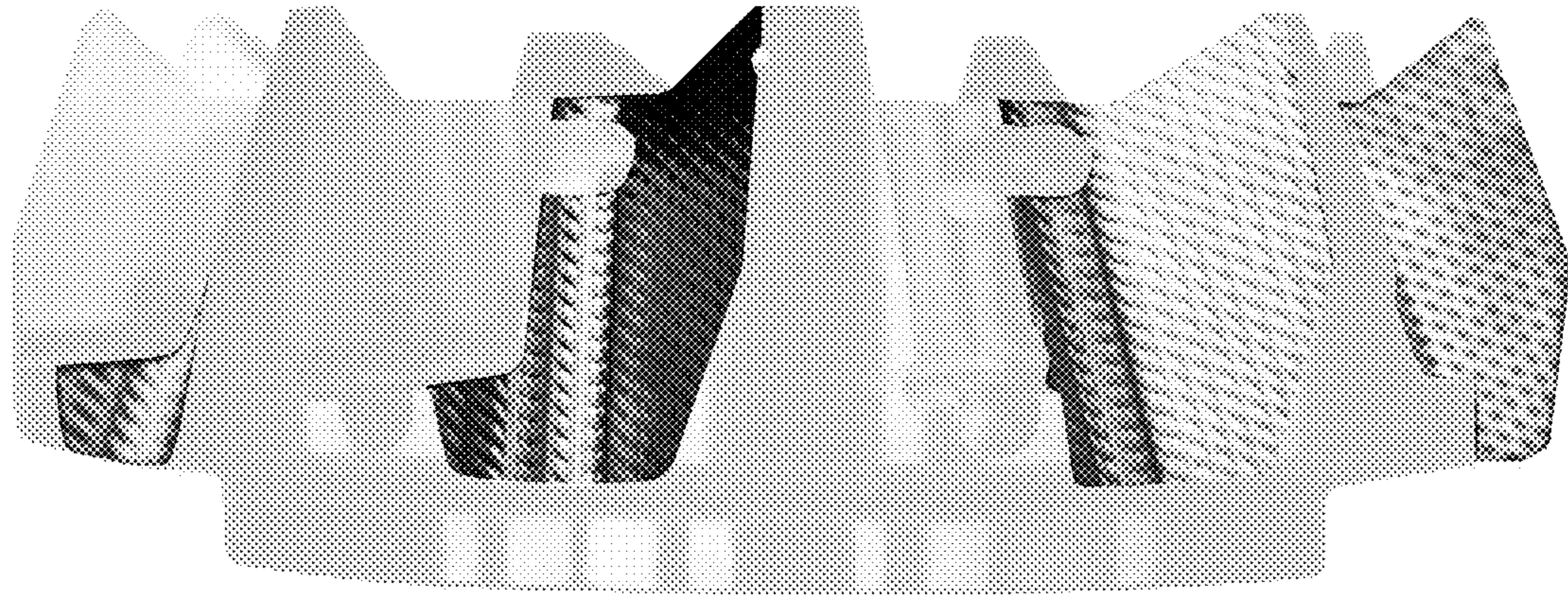


Fig. 11

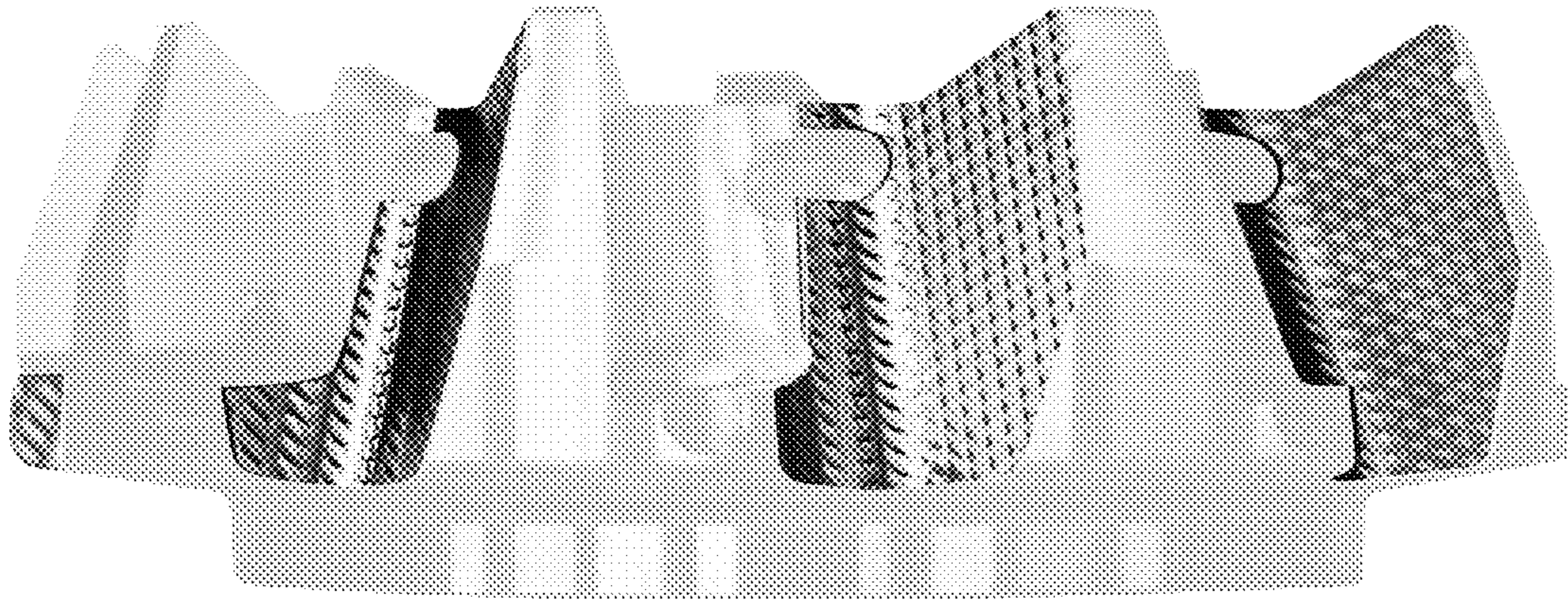


Fig. 12

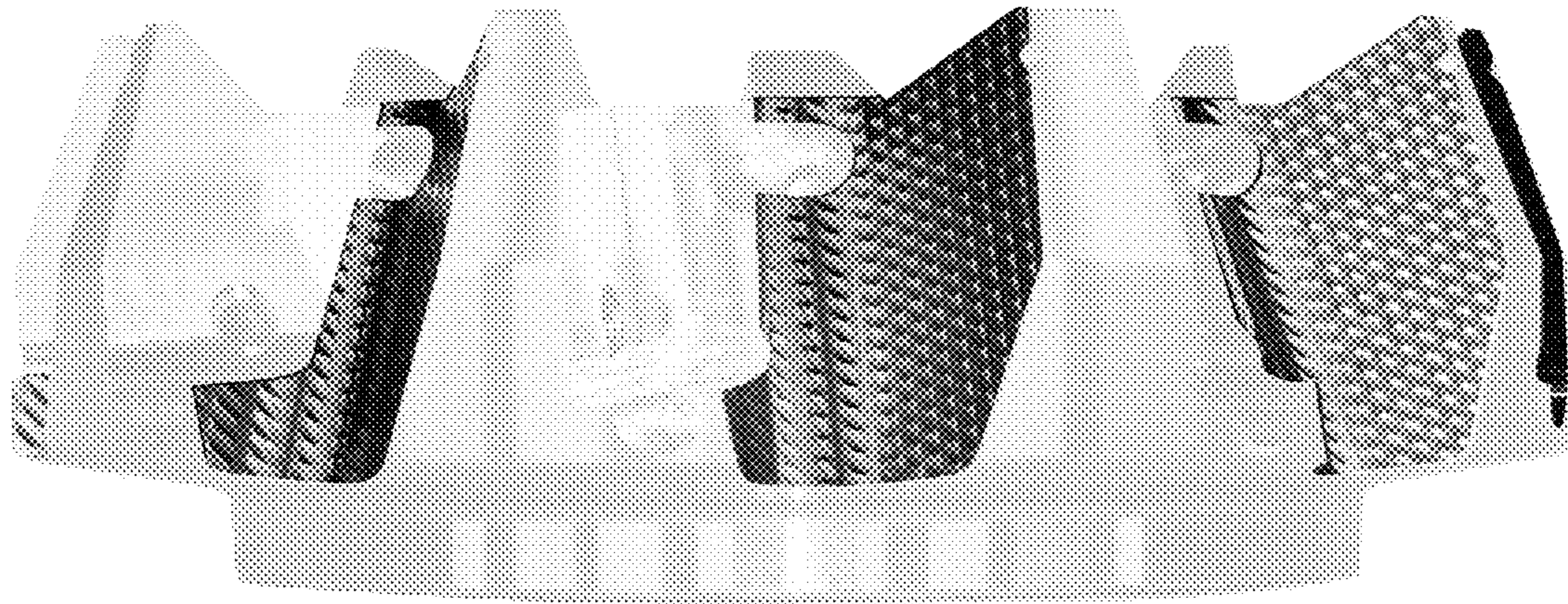


Fig. 13

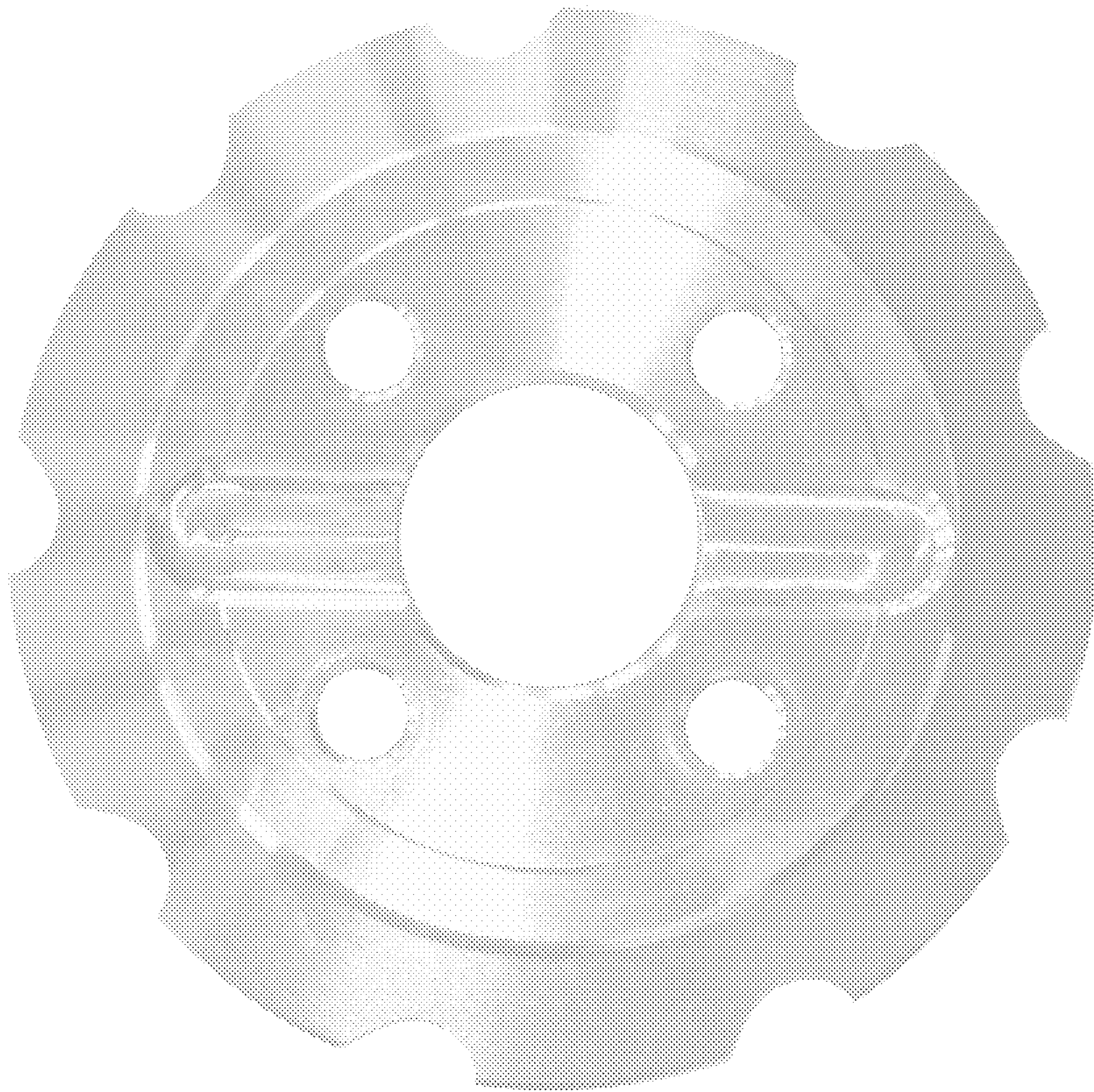


Fig. 14