



US00D926844S

(12) **United States Design Patent**
Shin et al.

(10) **Patent No.:** **US D926,844 S**

(45) **Date of Patent:** **** Aug. 3, 2021**

- (54) **CABLE LAYING APPARATUS**
- (71) Applicant: **Tai Han Electric Wire Co., Ltd.**,
Anyang-si (KR)
- (72) Inventors: **Dong Joo Shin**, Seoul (KR); **Chang Seok Han**, Seoul (KR); **Je Hoon Kim**,
Yongin-si (KR); **Ik Soon Yim**,
Anyang-si (KR)
- (73) Assignee: **TAI HAN ELECTRIC WIRE CO,**
LTD., Anyang-si (KR)
- (**) Term: **15 Years**

- 2,223,110 A * 11/1940 Kempe H02G 1/06
242/390.2
- 2,663,515 A * 12/1953 Kinsinger H02G 1/06
242/557
- 2,991,977 A * 7/1961 Petersen B66D 1/7405
242/155 BW
- 3,060,696 A * 10/1962 Lang H02G 1/06
405/181
- 3,144,949 A * 8/1964 Haugwitz B65H 51/14
414/431
- 3,307,363 A * 3/1967 Kinnan E02F 5/102
405/182
- 3,326,010 A * 6/1967 Gagne H02G 1/06
405/182
- 3,395,545 A * 8/1968 Mendaloff, Jr. E02F 5/102
405/178

(Continued)

- (21) Appl. No.: **29/713,687**
- (22) Filed: **Nov. 18, 2019**
- (30) **Foreign Application Priority Data**

Primary Examiner — Patricia A Palasik
 (74) *Attorney, Agent, or Firm* — Novick, Kim & Lee,
 PLLC; Jae Youn Kim; Hyun Woo Shin

- Jul. 5, 2019 (KR) 30-2019-0032447
- (51) **LOC (13) Cl.** **15-09**
- (52) **U.S. Cl.**
USPC **D15/138**; D15/122
- (58) **Field of Classification Search**
USPC D15/28, 122, 138
CPC B60K 26/04; B65H 49/06; B65H 57/18;
B65H 75/4452; F02D 9/02; F02D
2009/0255; G05G 7/14; H02G 11/02
See application file for complete search history.

(57) **CLAIM**

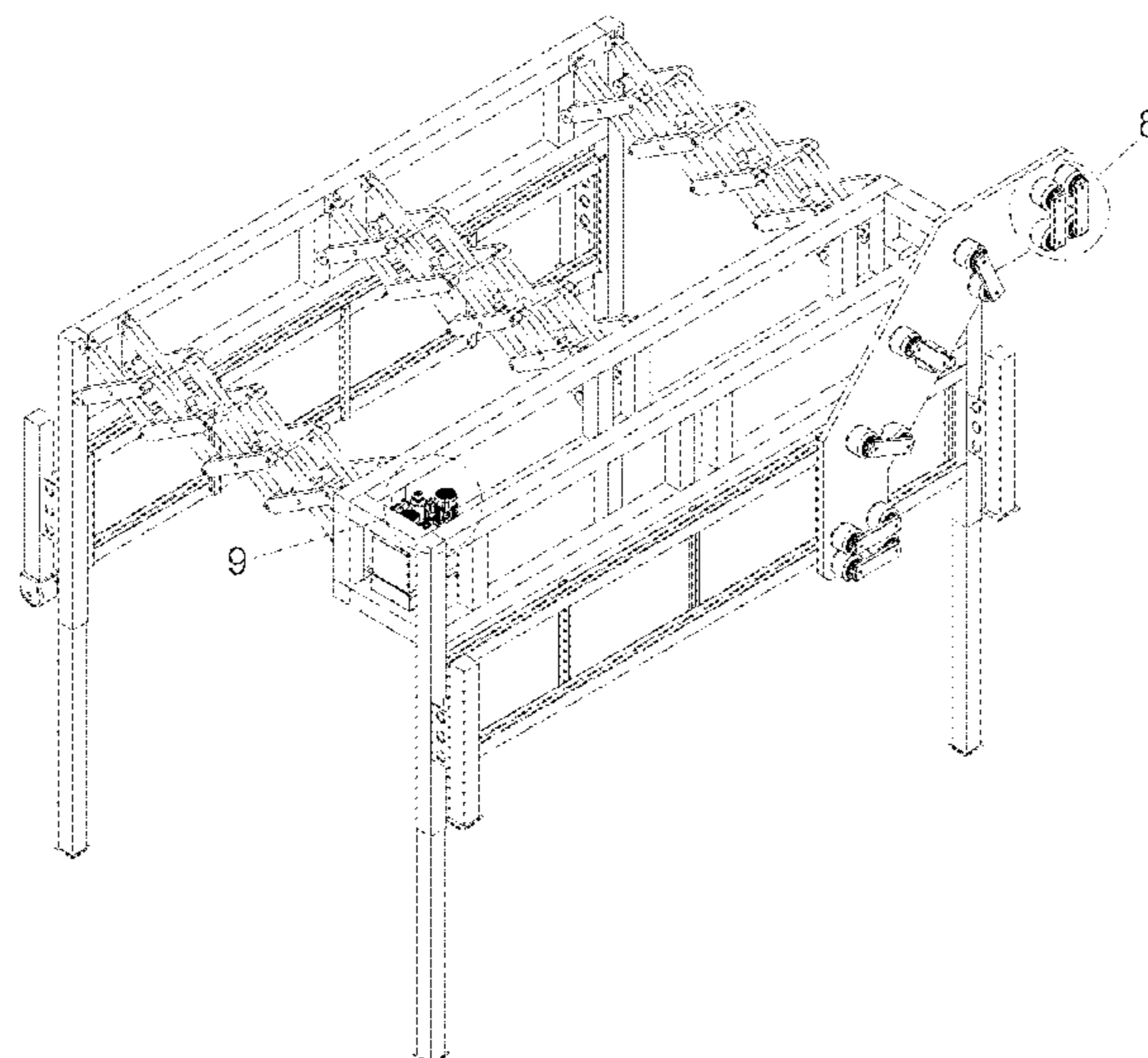
We claim, the ornamental design for a cable laying apparatus, as shown and described.

DESCRIPTION

FIG. 1 is a perspective view of a cable laying apparatus, showing our new design and partially enlarged portions of the cable laying apparatus;
 FIG. 2 is a front elevational view thereof;
 FIG. 3 is a rear elevational view thereof;
 FIG. 4 is a left side elevational view thereof;
 FIG. 5 is a right side elevational view thereof;
 FIG. 6 is a top plan view thereof;
 FIG. 7 is a bottom plan view thereof;
 FIG. 8 is an enlarged detailed view of the cable laying apparatus as shown in circle 8 in FIG. 1; and,
 FIG. 9 is an enlarged detailed view of the cable laying apparatus as shown in circle 9 in FIG. 1.

- (56) **References Cited**
U.S. PATENT DOCUMENTS
- 1,668,277 A * 5/1928 Kirby H02G 1/06
405/180
- 1,829,162 A * 10/1931 Cornelius H02G 1/06
405/179
- 1,854,617 A * 4/1932 Maloon E02F 5/102
405/183
- 2,203,435 A * 6/1940 Kempe H02G 1/06
242/390.2

1 Claim, 9 Drawing Sheets



(56)

References Cited

U.S. PATENT DOCUMENTS

3,456,449 A *	7/1969	Heil	H02G 1/06 405/156	4,799,823 A *	1/1989	Williams	A01B 13/08 172/719
3,523,425 A *	8/1970	Pierce, Jr.	H02G 1/06 405/174	4,830,537 A *	5/1989	Munro	E02F 5/102 405/155
3,546,887 A *	12/1970	Helmus	F16L 1/032 405/180	4,890,957 A *	1/1990	Rinas	B65H 49/06 242/386
3,575,006 A *	4/1971	Rugroden	E02F 5/14 405/182	5,364,043 A *	11/1994	Linderoth	B65H 54/2857 242/397
3,685,591 A *	8/1972	Ulrich	E02F 5/103 172/40	5,641,246 A *	6/1997	Rinas	B65H 49/06 405/174
3,744,260 A *	7/1973	Lucero	E02F 3/961 405/181	5,971,665 A *	10/1999	Hughes	H02G 1/10 405/159
4,050,260 A *	9/1977	Lemay	E02F 5/103 405/174	6,086,050 A *	7/2000	Wiederkehr	F16L 55/1658 254/266
4,198,103 A *	4/1980	Ward	B60S 1/68 180/9.1	D800,406 S *	10/2017	Runzel	D34/14
4,382,581 A *	5/1983	Wimer	G02B 6/4464 254/134.3 FT	2007/0119997 A1 *	5/2007	Boon	B65H 75/4407 242/159
4,650,370 A *	3/1987	Kassner	E02F 5/10 173/100	2016/0347576 A1 *	12/2016	van der Laan	H01B 13/02
4,784,524 A *	11/1988	Stine	E02F 5/14 172/466	2017/0088388 A1 *	3/2017	Lillich	B65H 54/2827
				2018/0282109 A1 *	10/2018	Colleoni	H02G 11/02
				2018/0316165 A1 *	11/2018	Colleoni	B60M 1/28
				2021/0016989 A1 *	1/2021	Shin	B65H 57/18
				2021/0016992 A1 *	1/2021	Shin	B65H 75/4413

* cited by examiner

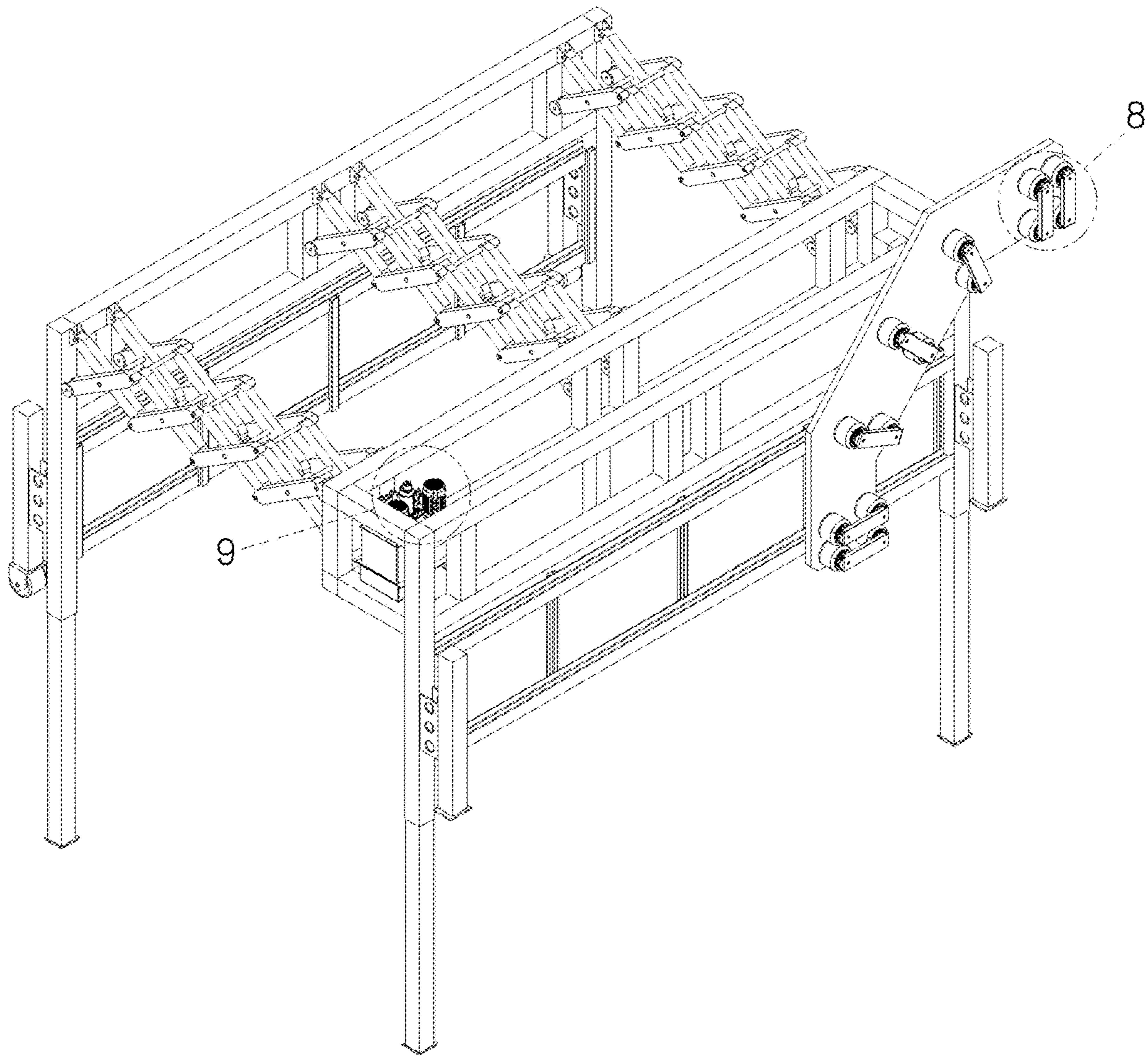


FIG. 1

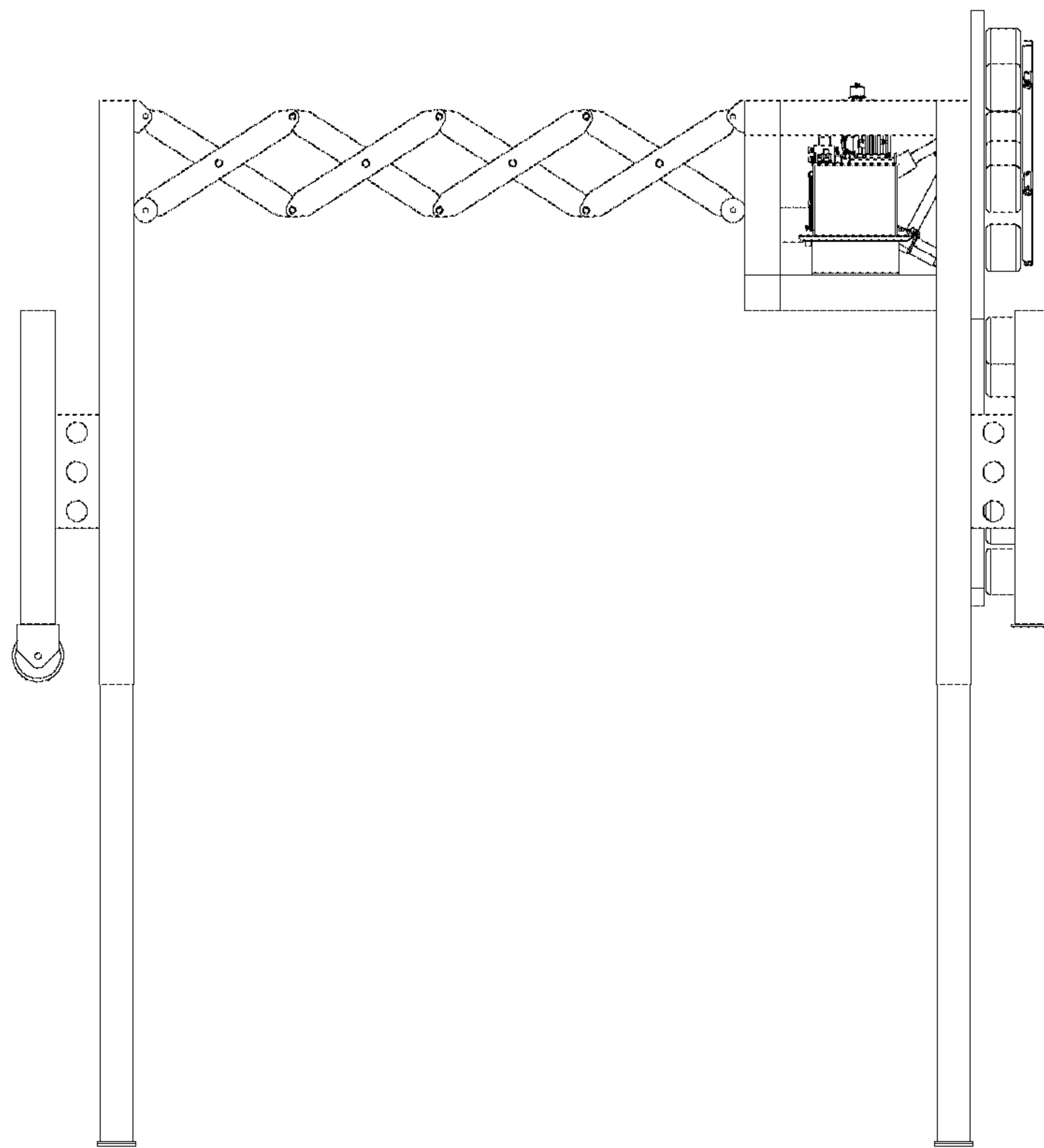


FIG. 2

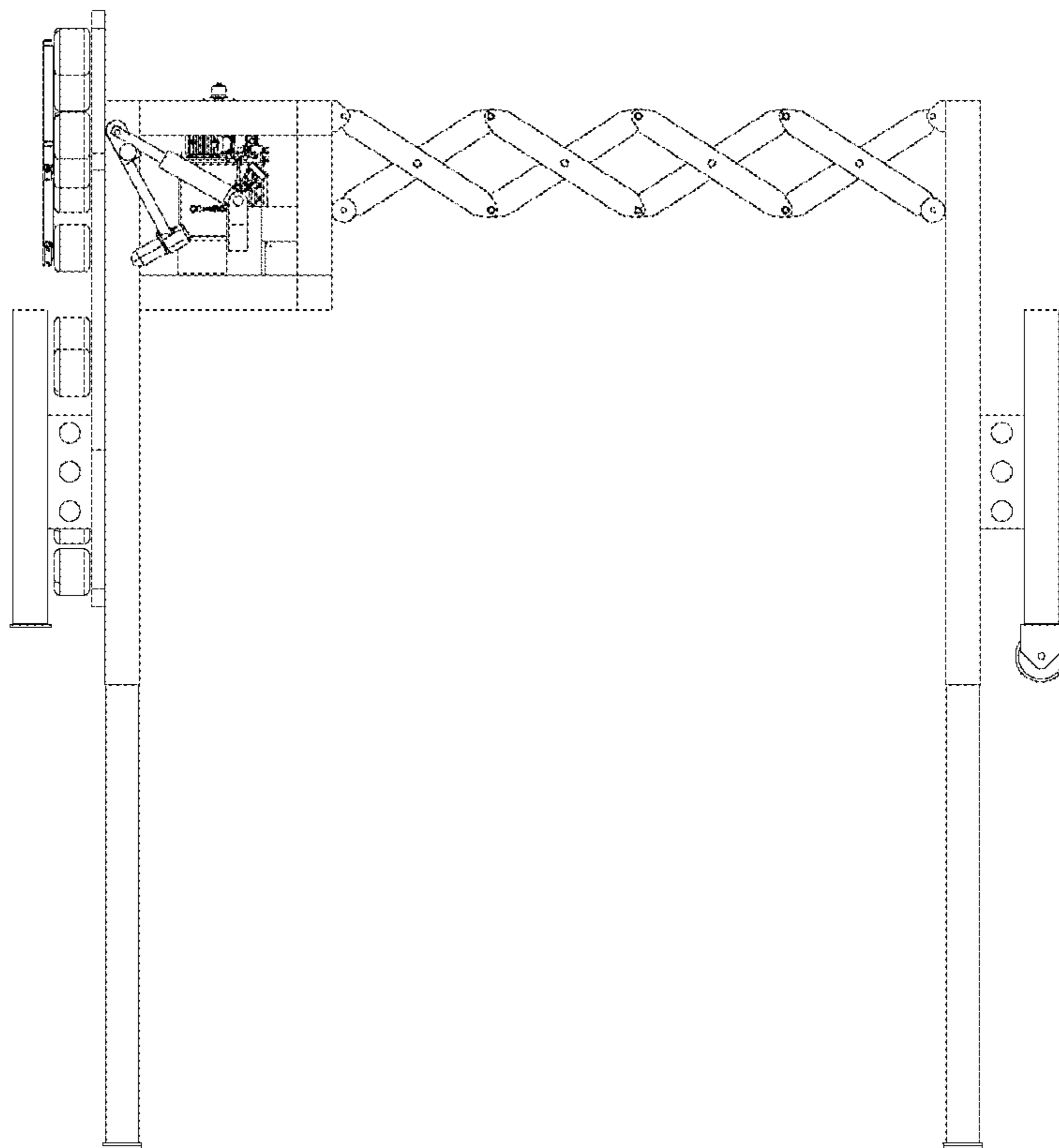


FIG. 3

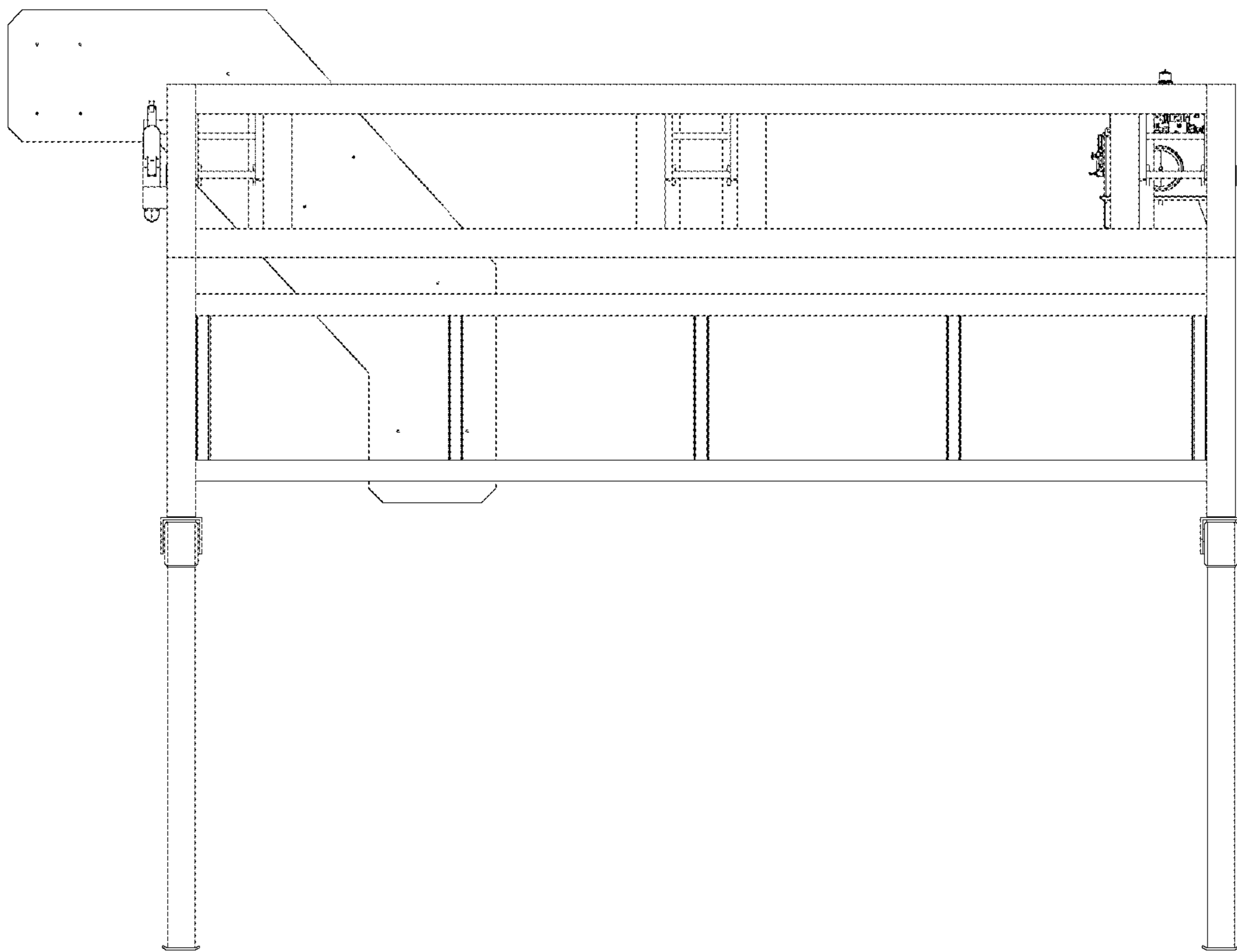


FIG. 4

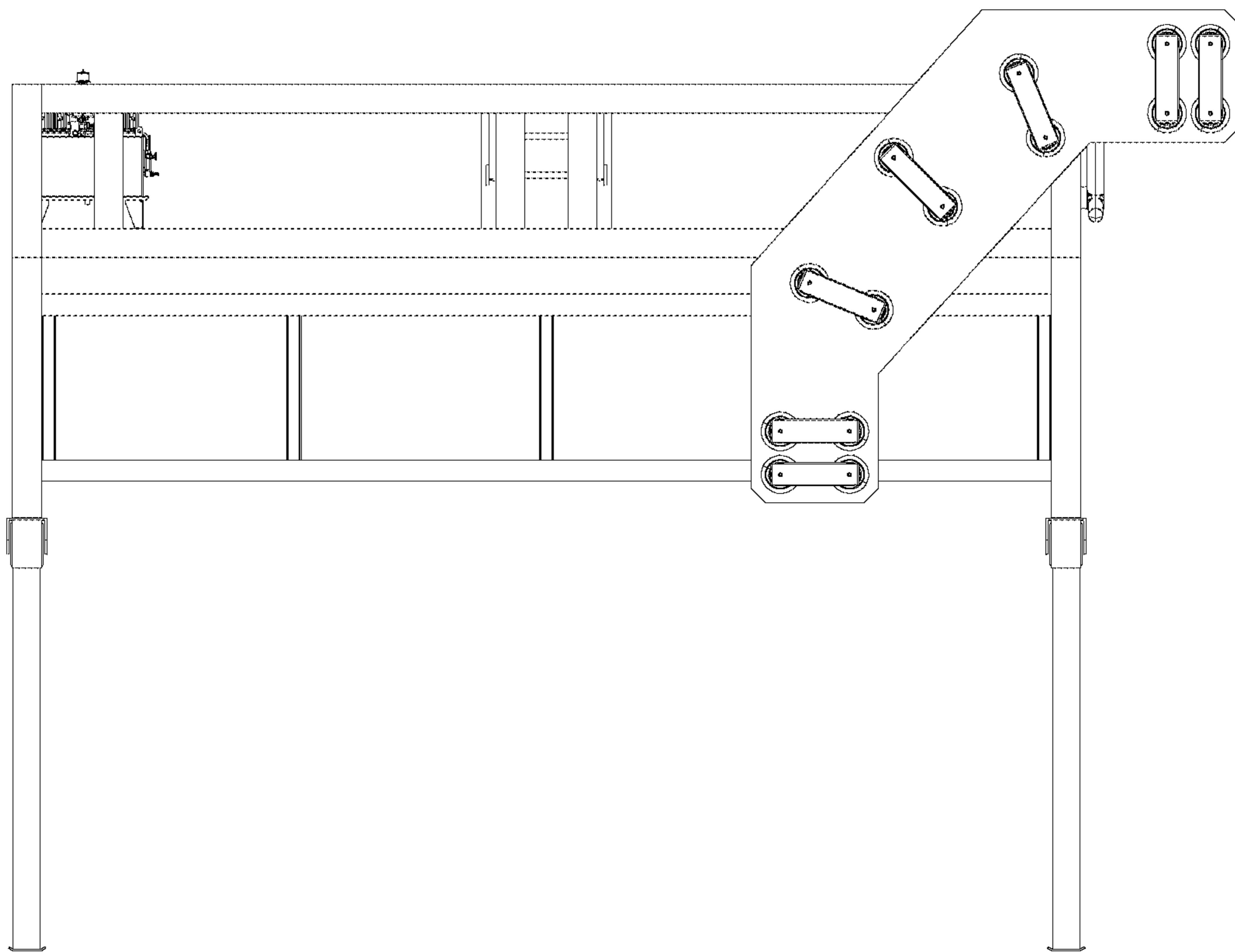


FIG. 5

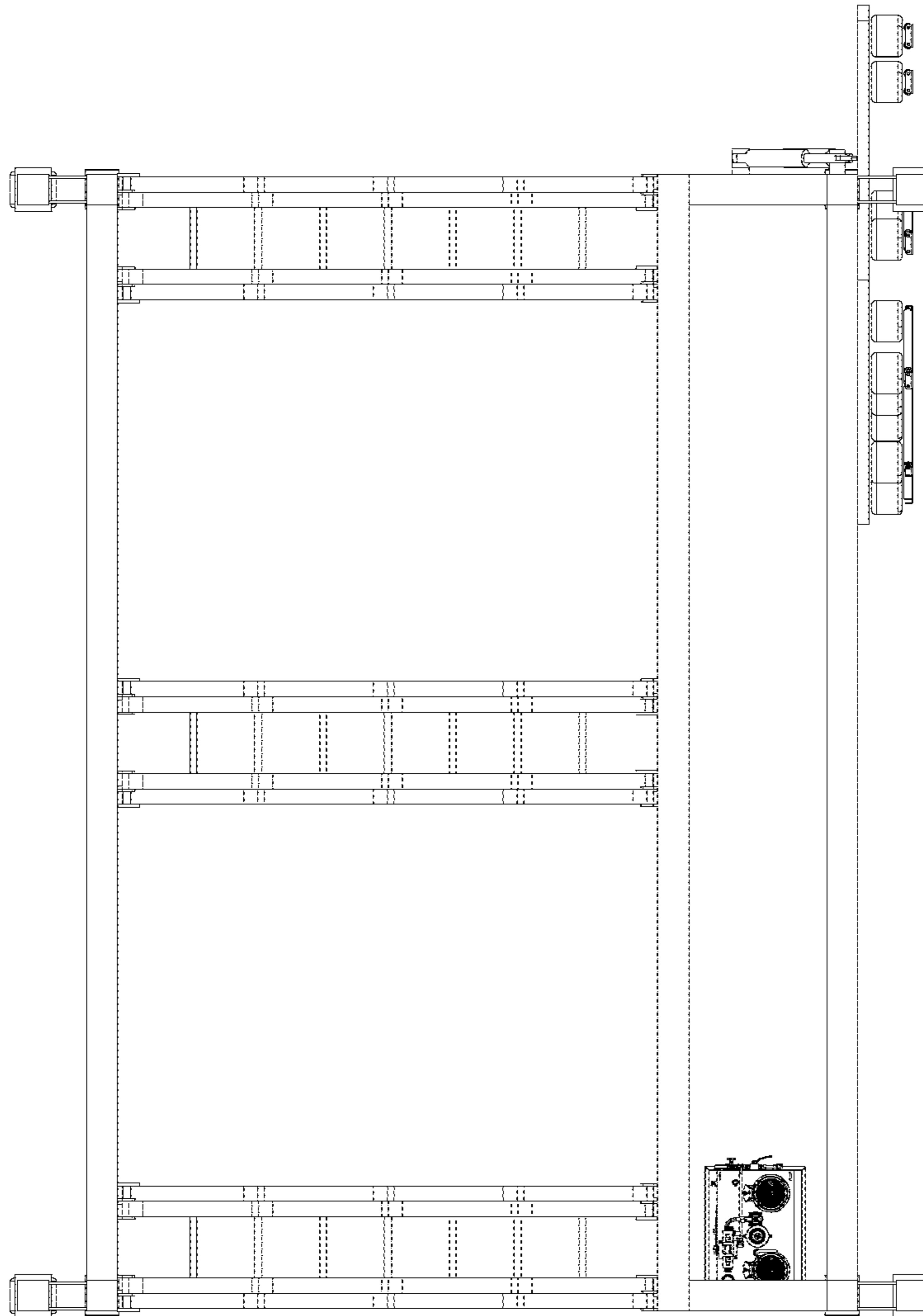


FIG. 6

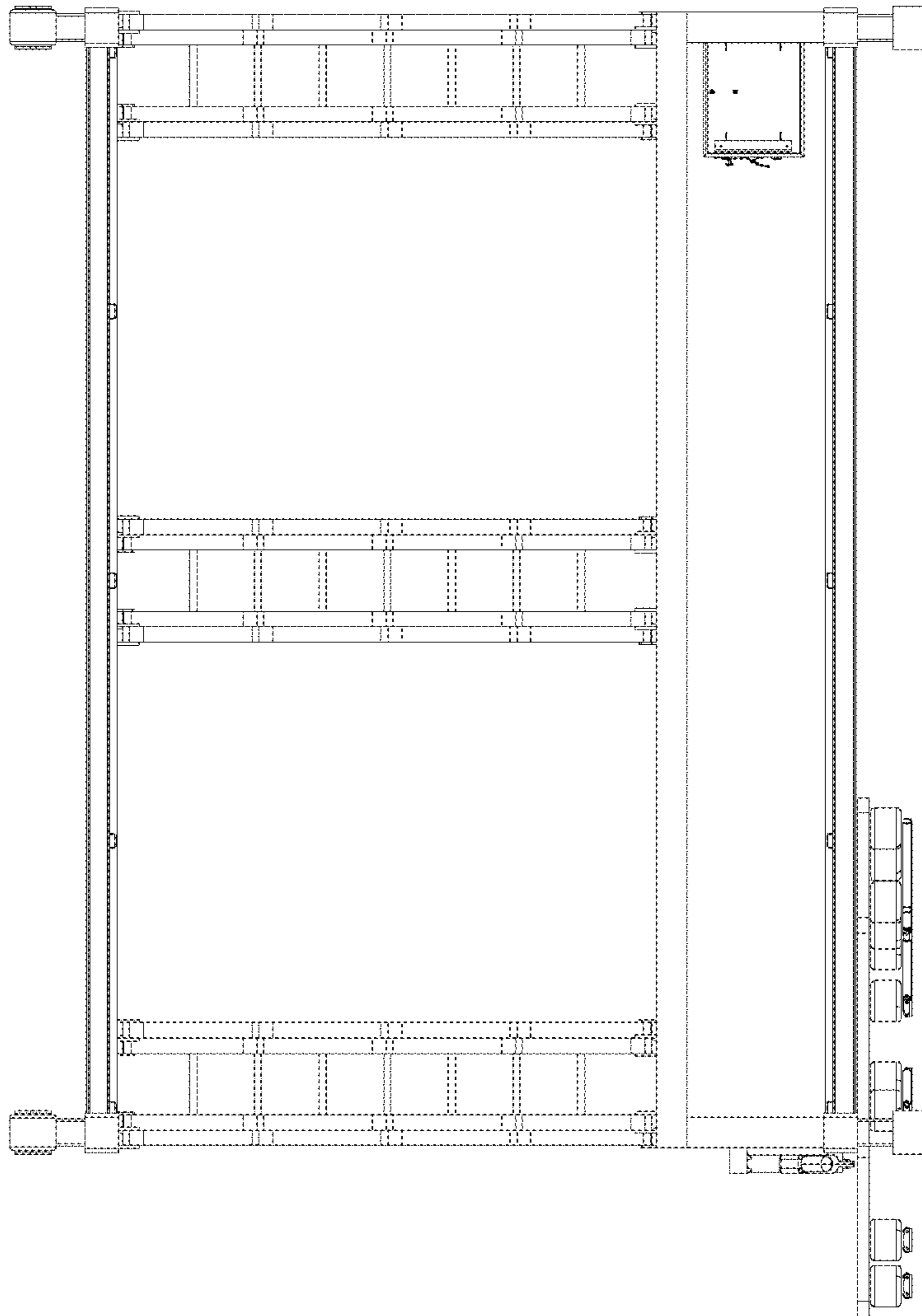


FIG. 7

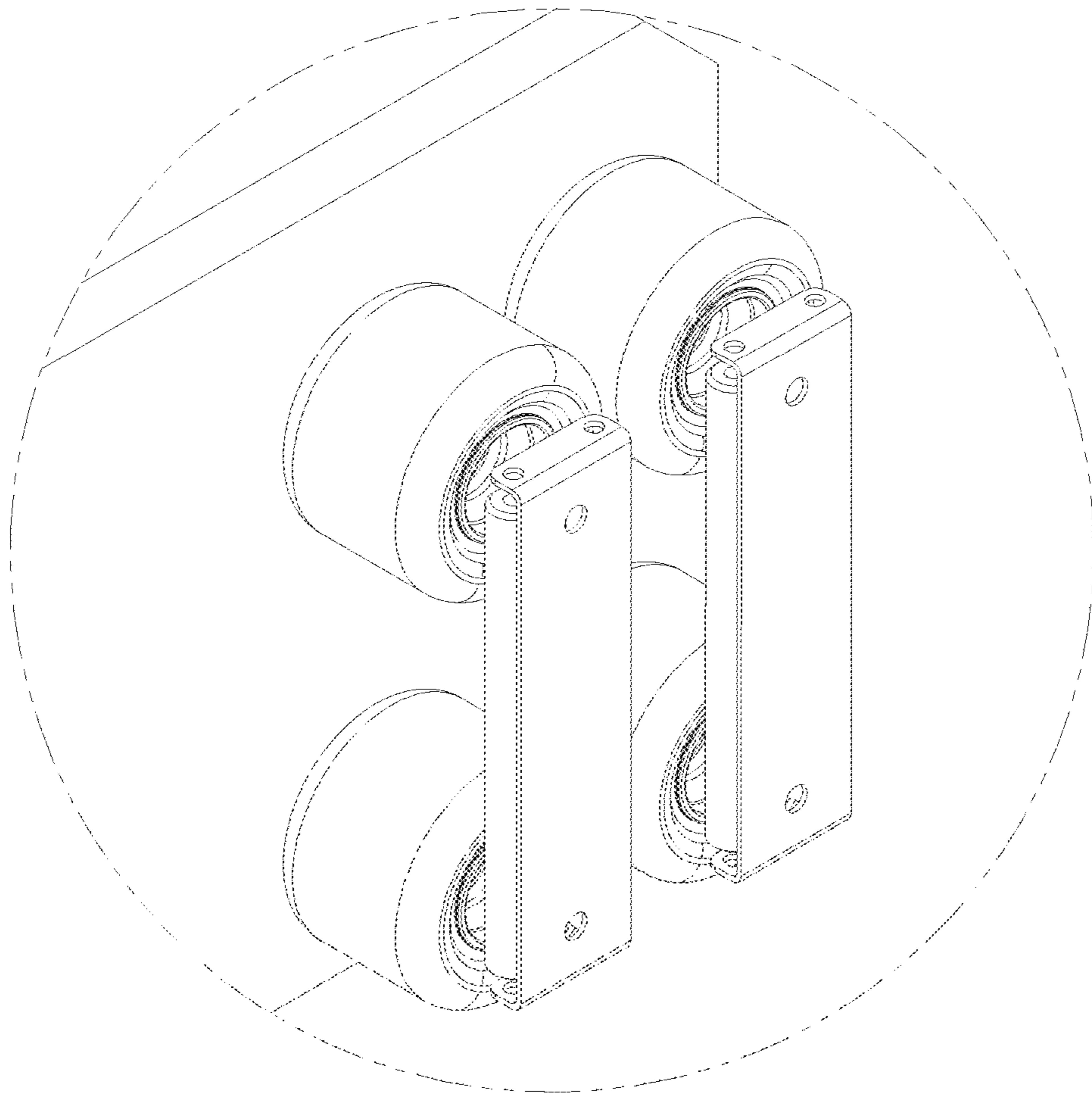


FIG. 8

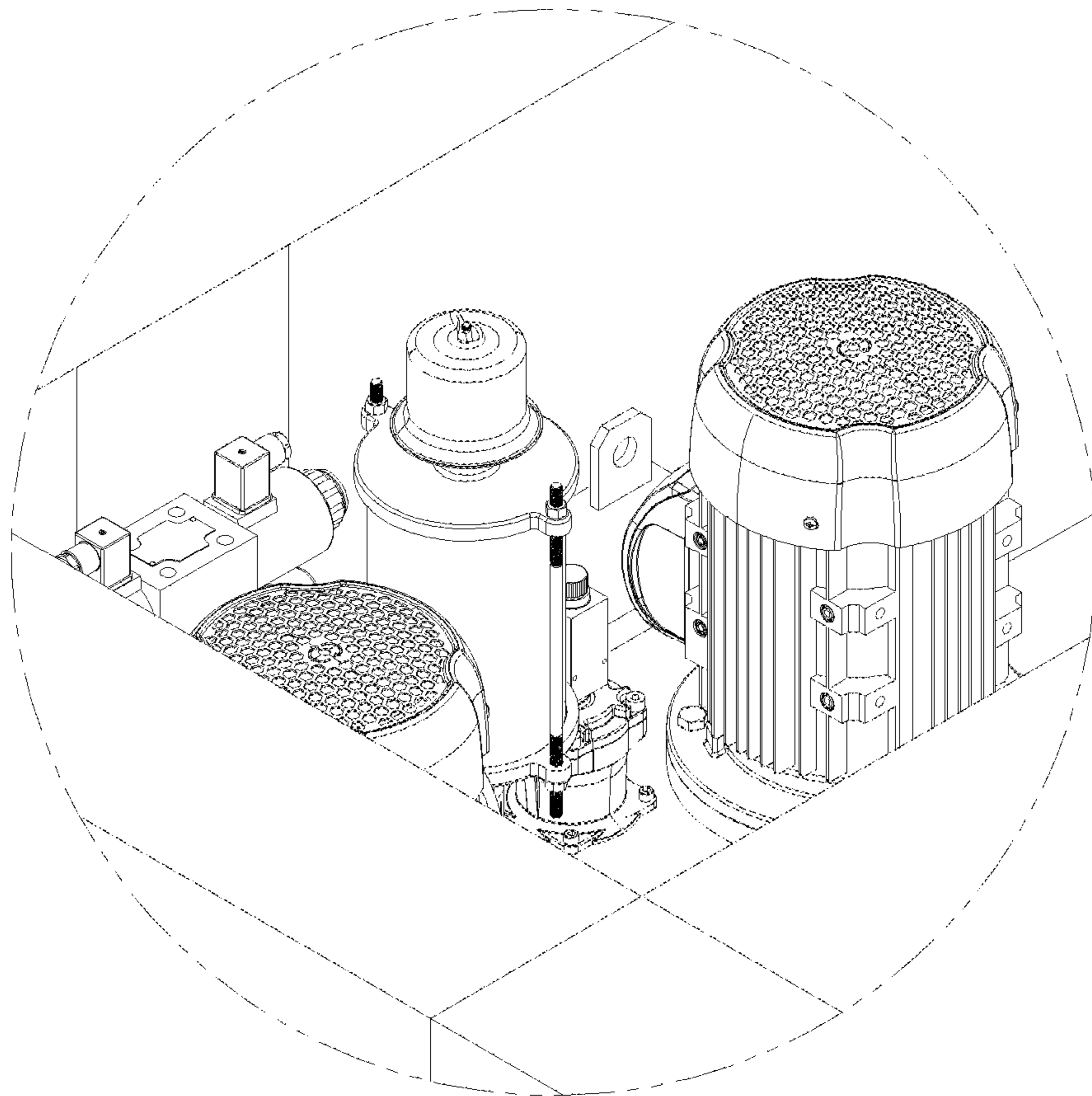


FIG. 9