



US00D926843S

(12) **United States Design Patent**
Timonen et al.

(10) **Patent No.:** **US D926,843 S**

(45) **Date of Patent:** **** Aug. 3, 2021**

(54) **PRESSURE ACCUMULATOR FOR ROCK DRILLS**

(71) Applicant: **SANDVIK MINING AND CONSTRUCTION OY**, Tampere (FI)

(72) Inventors: **Petri Timonen**, Tampere (FI); **Mikko Hämäläinen**, Tampere (FI)

(73) Assignee: **Sandvik Mining and Construction Oy**, Tampere (FI)

(**) Term: **15 Years**

(21) Appl. No.: **29/701,846**

(22) Filed: **Aug. 15, 2019**

(30) **Foreign Application Priority Data**

Feb. 15, 2019 (EM) 006254934-0001

(51) **LOC (13) Cl.** **15-09**

(52) **U.S. Cl.**
USPC **D15/138; D23/235**

(58) **Field of Classification Search**
USPC D15/122, 123, 132, 138, 139, 199;
D23/233-235, 244-249
CPC F15B 1/04; F15B 1/086; F17C 1/00
See application file for complete search history.

(56) **References Cited**

U.S. PATENT DOCUMENTS

D110,528 S *	7/1938	Rice	D23/251
D205,120 S *	6/1966	Rhodes	D23/235
D264,217 S *	5/1982	Prause	408/241 R
D269,519 S *	6/1983	Braun	D15/138
D398,375 S *	9/1998	Lynch	D23/245
D410,525 S *	6/1999	Uehara	D23/235
D416,310 S *	11/1999	Uehara	D23/235
D602,567 S *	10/2009	Stadler	D23/235

D611,967 S *	3/2010	Hjort	D15/138
D633,986 S *	3/2011	Ito	D23/233
D653,523 S *	2/2012	Wackwitz	D8/354
D672,377 S *	12/2012	Yoshikawa	D15/138
D677,292 S *	3/2013	Barnes	D15/138
D724,182 S *	3/2015	Lu	D23/233
D725,747 S *	3/2015	Alexander	D23/233
D728,072 S *	4/2015	Alexander	D23/233
D739,919 S *	9/2015	Alexander	D23/233
D744,555 S *	12/2015	Suzuki	D15/138
D745,583 S *	12/2015	Arikan	D15/138
D766,401 S *	9/2016	Zhu	D23/233
D800,867 S *	10/2017	Blum	D23/213
D892,980 S *	8/2020	Sato	D23/233

* cited by examiner

Primary Examiner — Michael C Stout

Assistant Examiner — Fritzgerald L Butac

(74) *Attorney, Agent, or Firm* — Banner & Witcoff, Ltd.

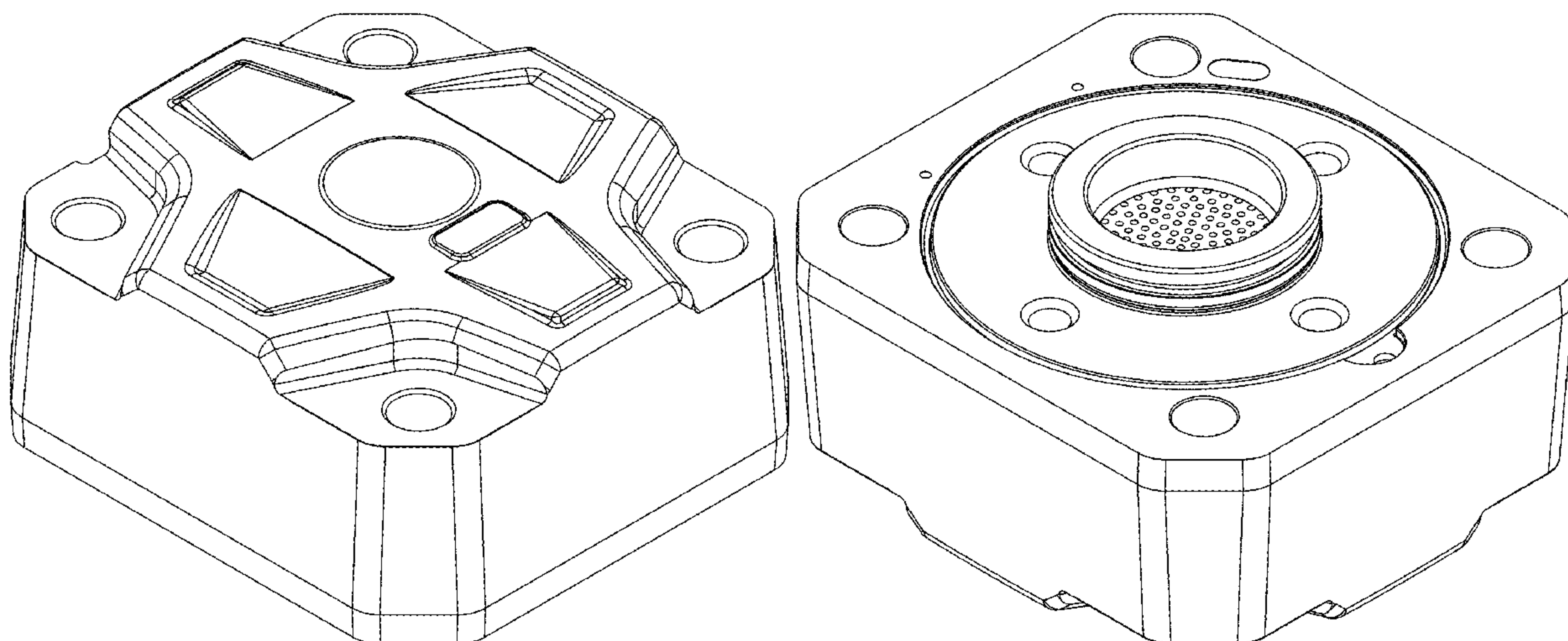
(57) **CLAIM**

The ornamental design for a pressure accumulator for rock drills, as shown and described.

DESCRIPTION

FIG. 1 is a front perspective view of a pressure accumulator for rock drills showing our new design; FIG. 2 is another front perspective view thereof; FIG. 3 is a rear perspective view thereof; FIG. 4 is a front view thereof; FIG. 5 is a rear view thereof; FIG. 6 is a top view thereof; FIG. 7 is a left side view thereof; FIG. 8 is another rear perspective view thereof; FIG. 9 is a bottom view thereof; and, FIG. 10 is a right side view thereof. The broken lines in FIG. 7 show portions of a pressure accumulator for rock drills which form no part of claimed design.

1 Claim, 10 Drawing Sheets



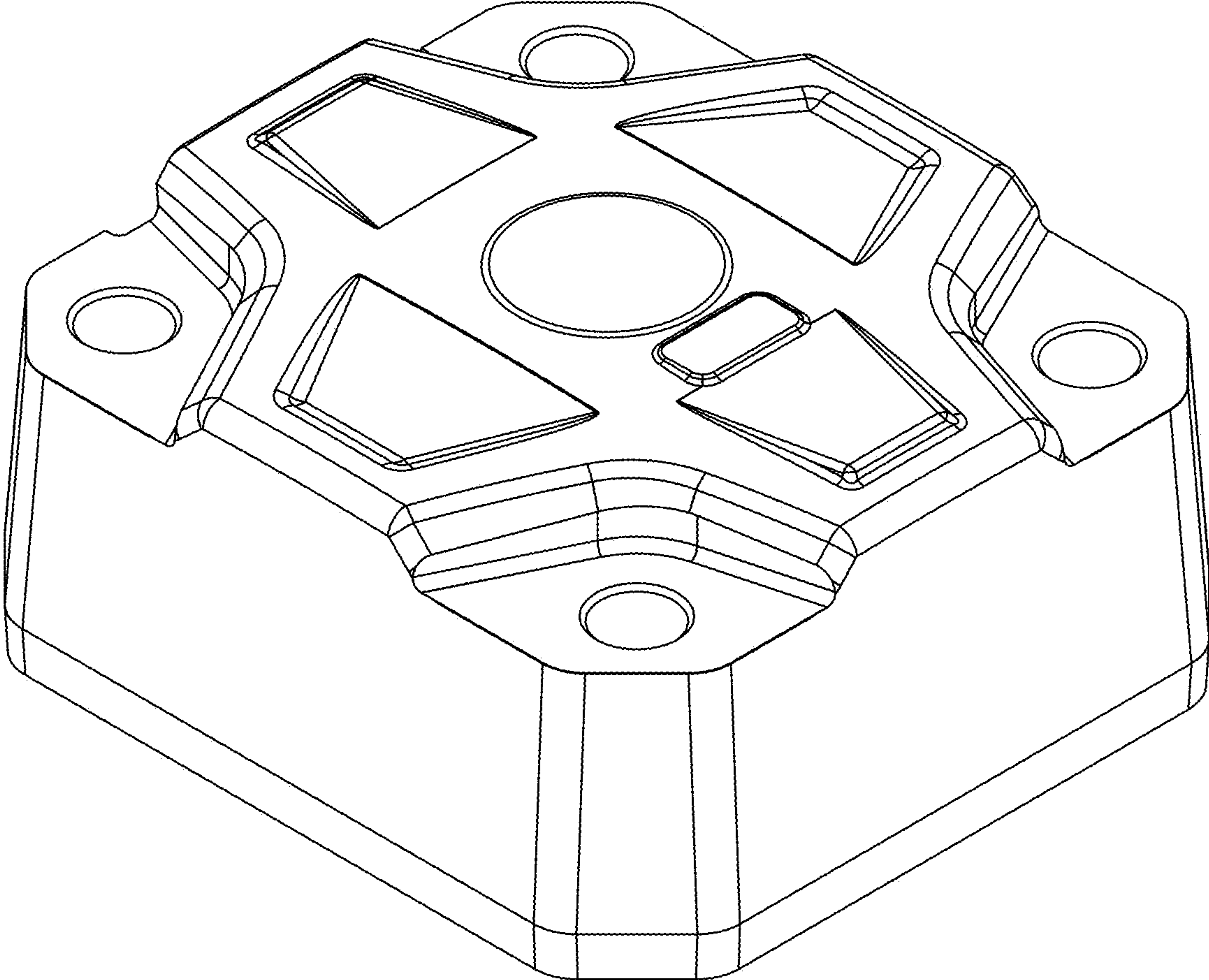


FIG. 1

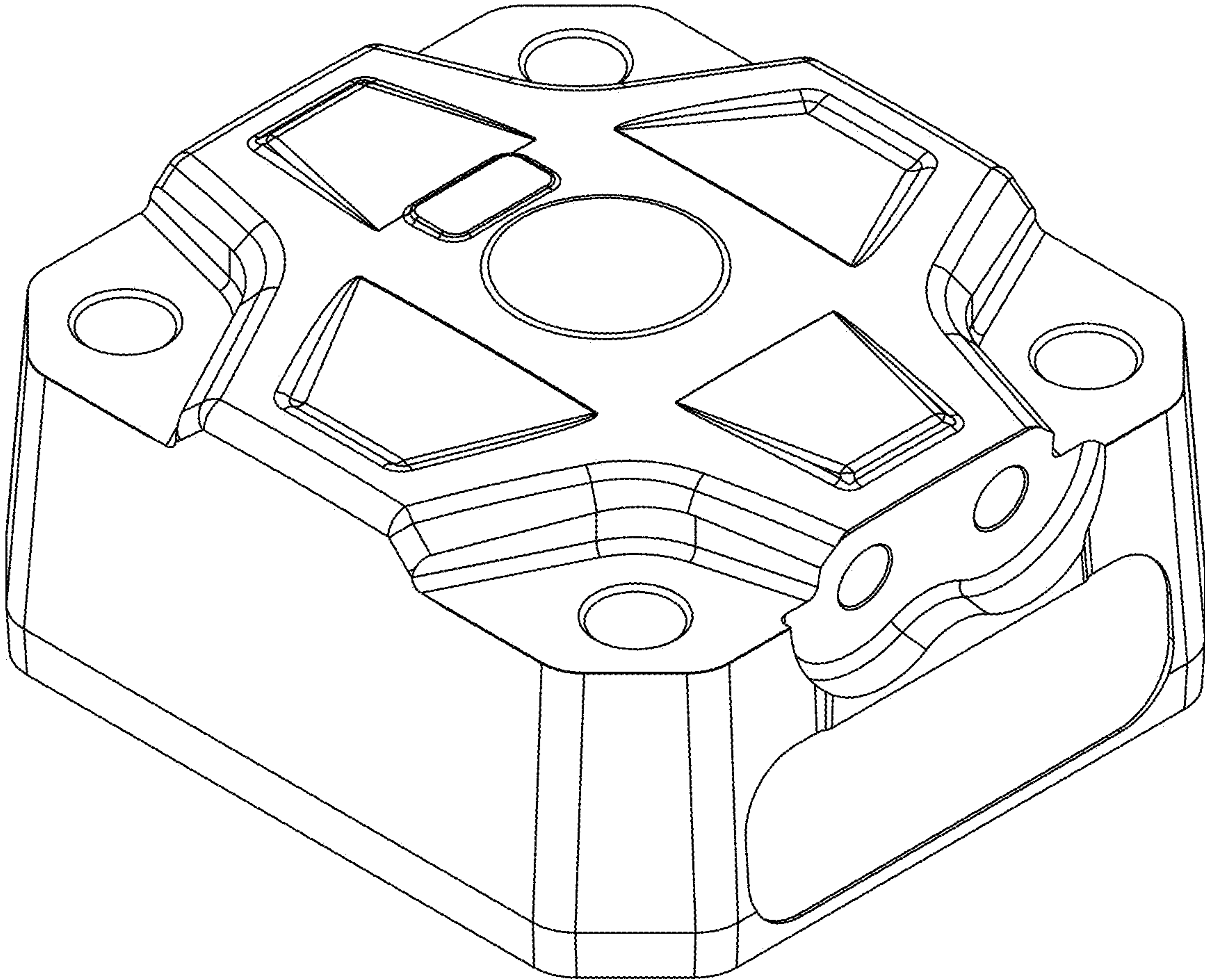


FIG. 2

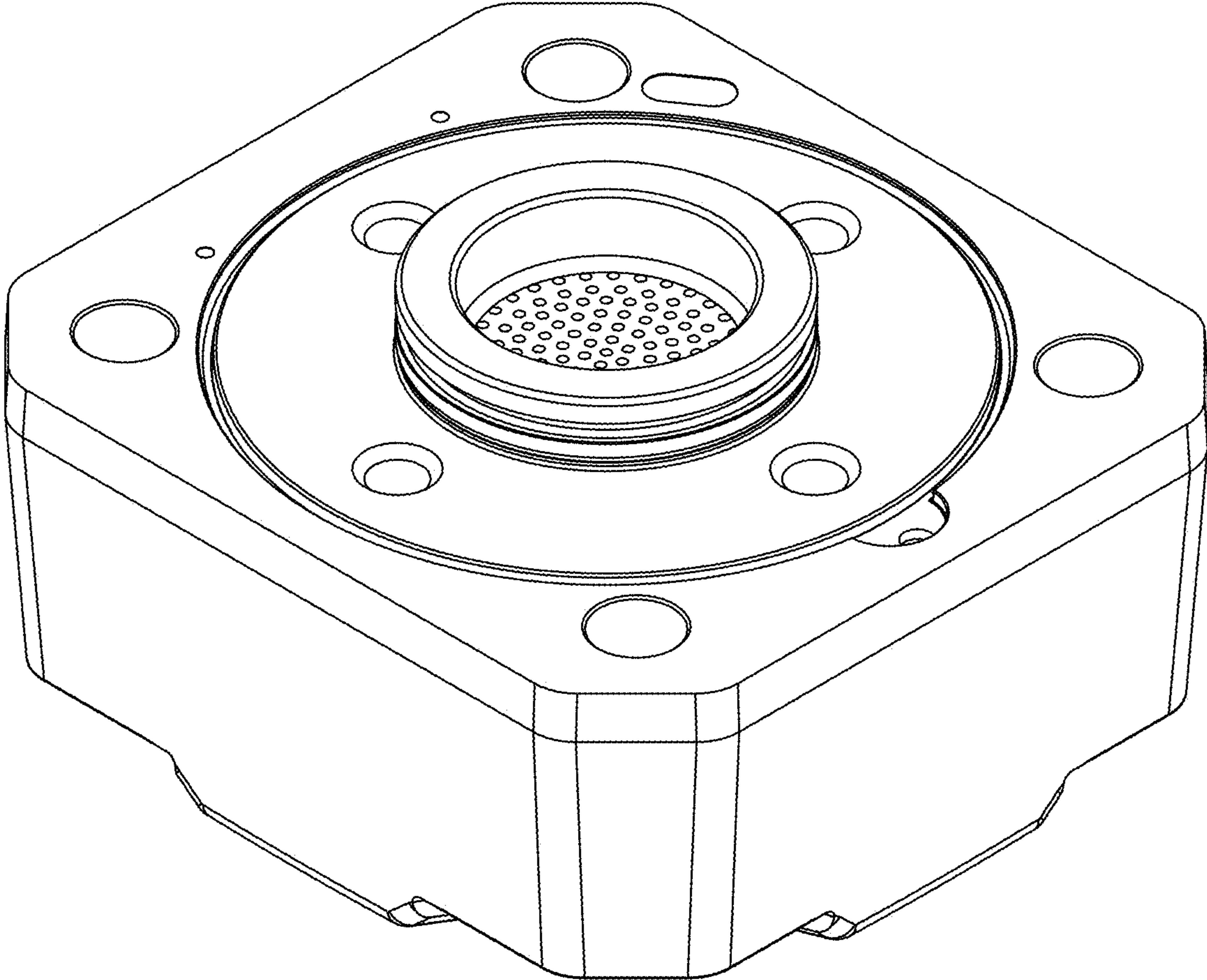


FIG. 3

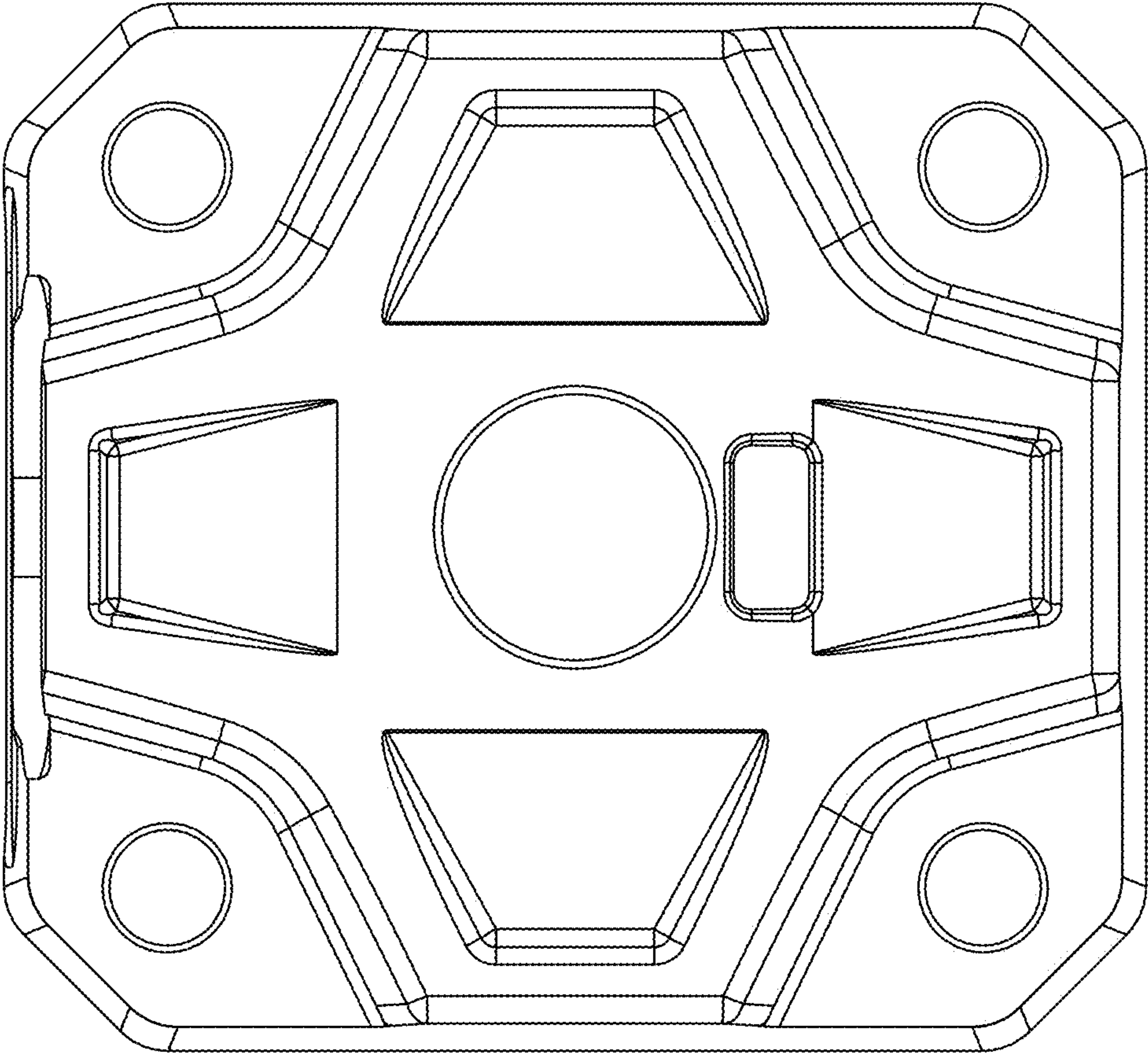


FIG. 4

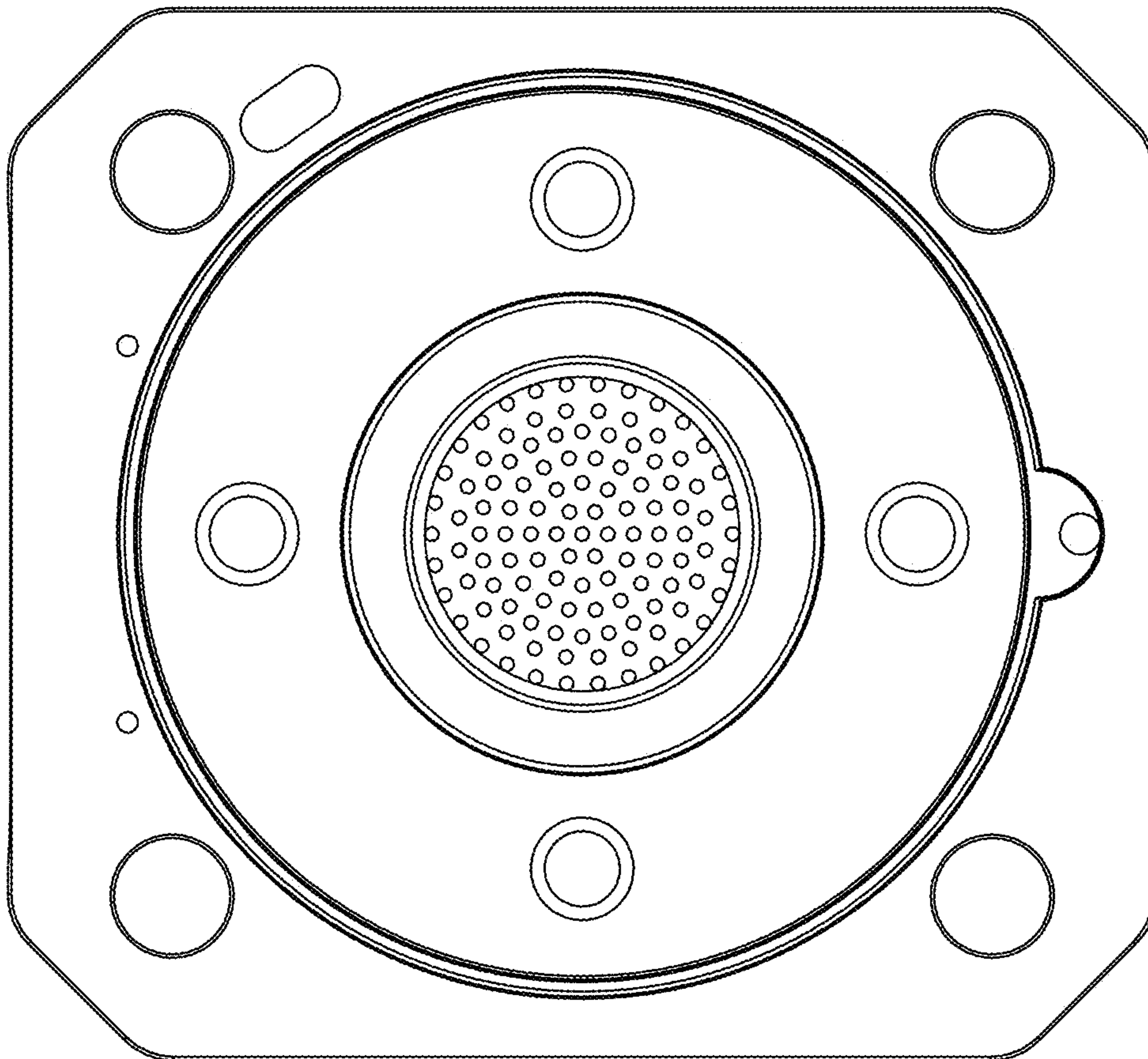


FIG. 5

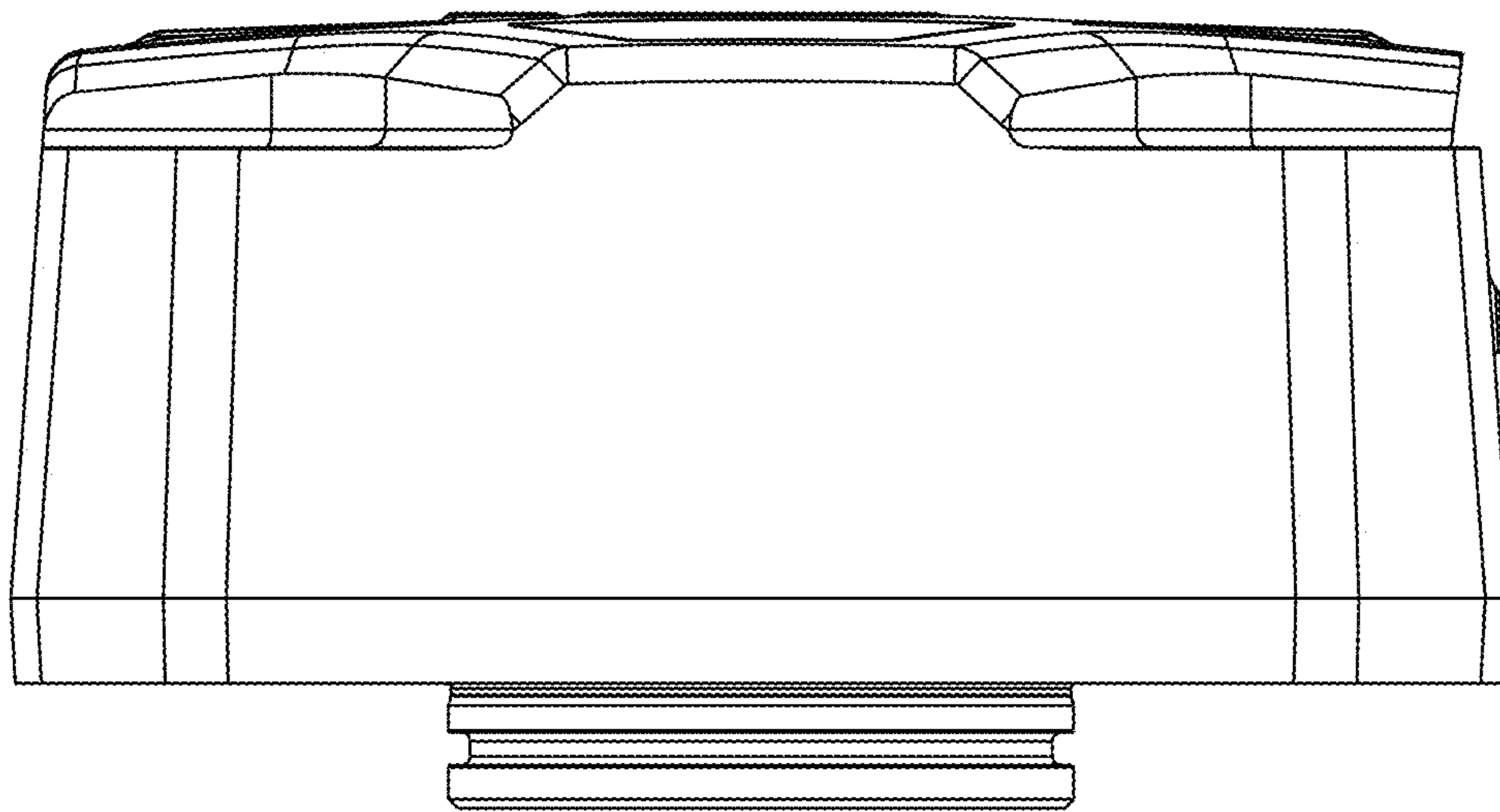


FIG. 6

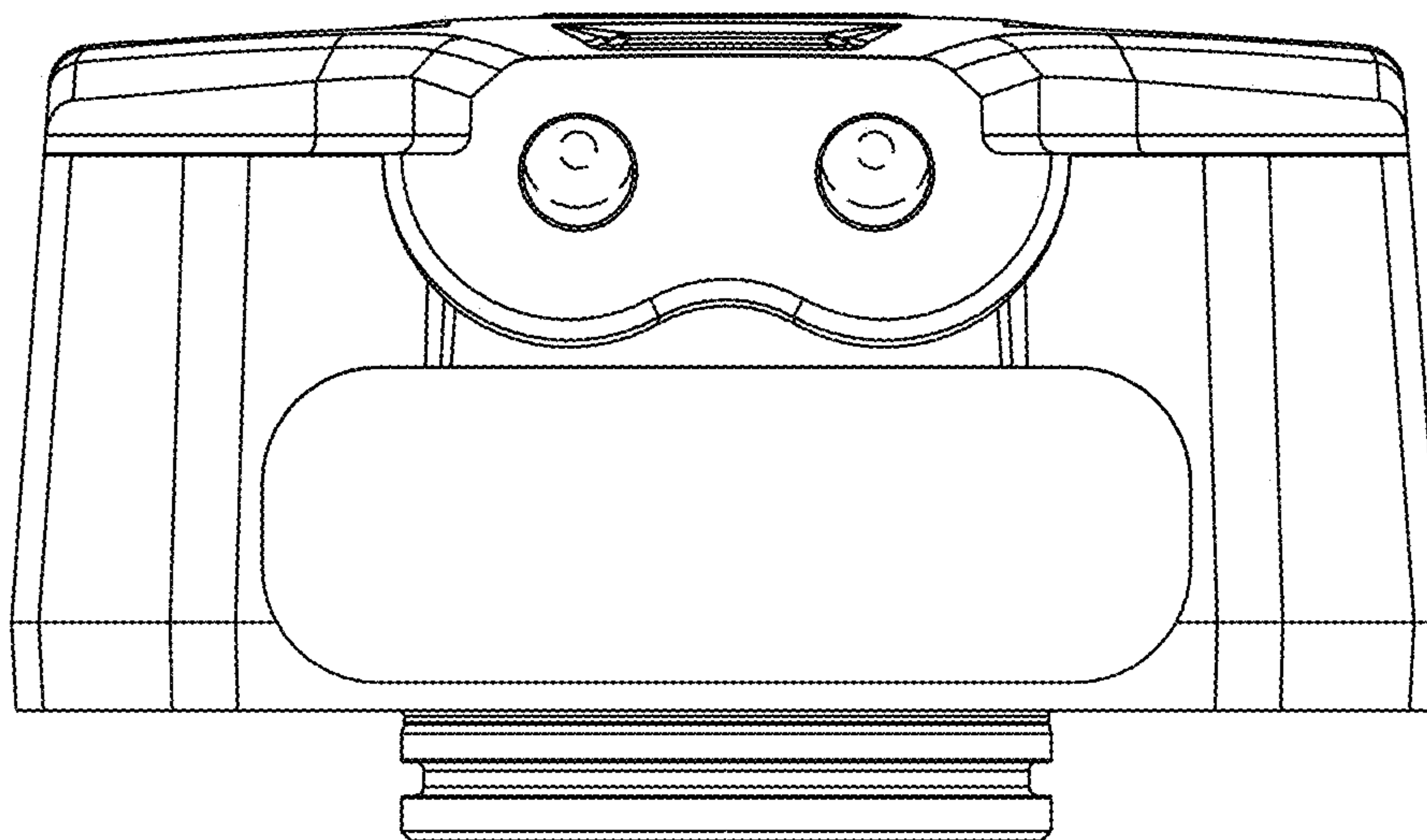


FIG. 7

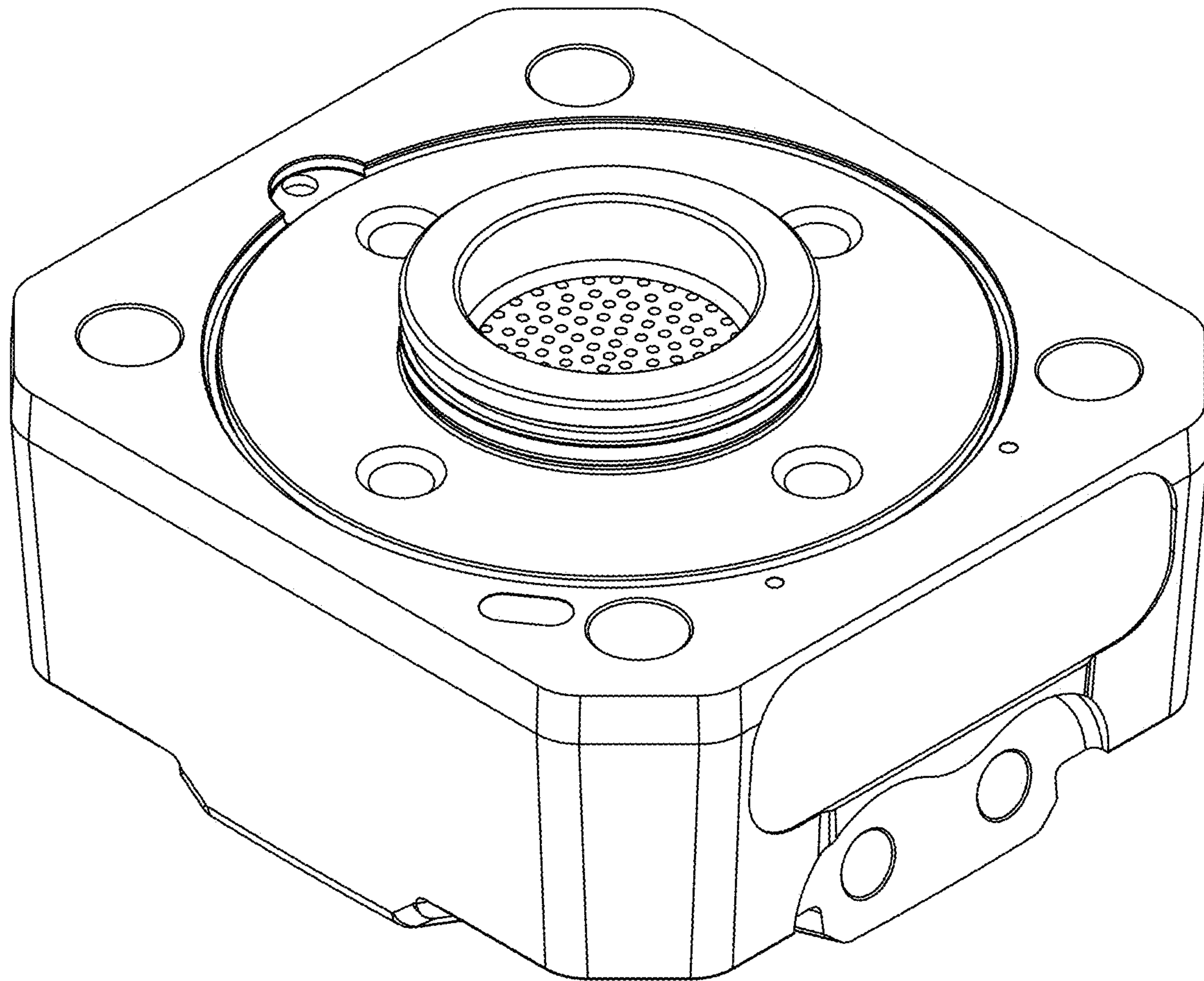


FIG. 8

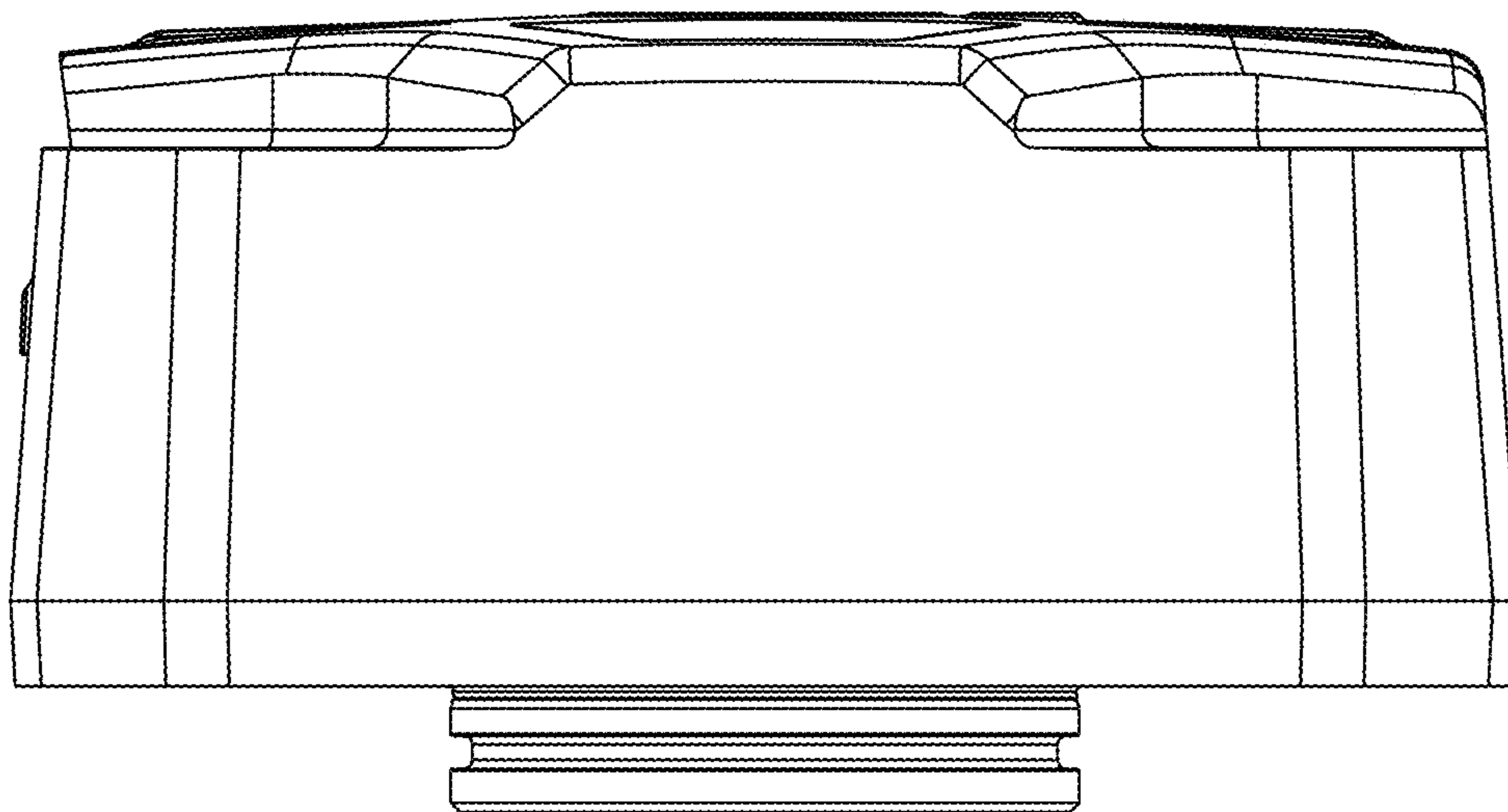


FIG. 9

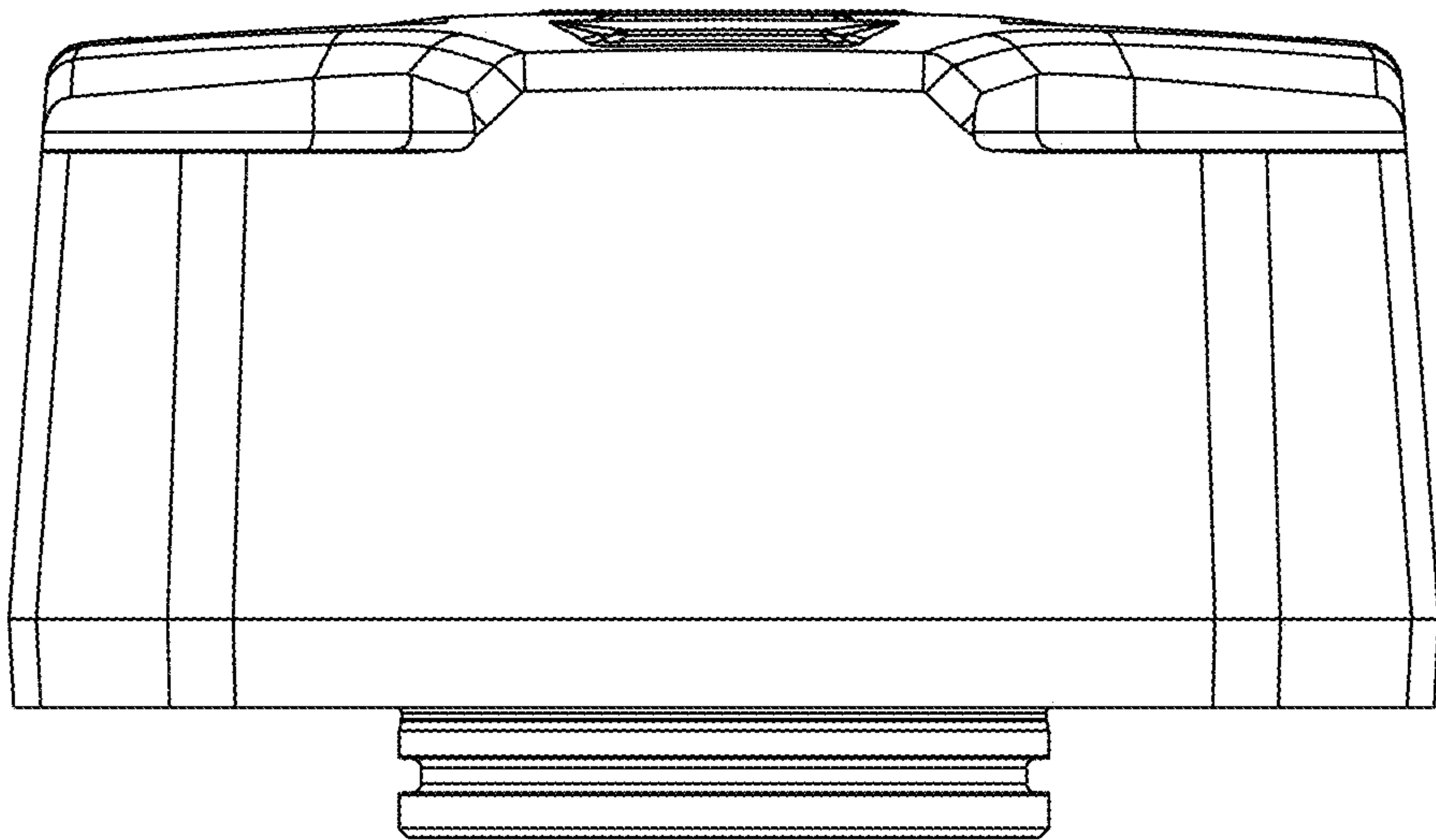


FIG. 10