



US00D926842S

(12) **United States Design Patent**
Zhang

(10) **Patent No.:** **US D926,842 S**

(45) **Date of Patent:** **** Aug. 3, 2021**

- (54) **CONCRETE MOLD**
- (71) Applicant: **Guangzhou Daqian Zhuoer Network Technology Co., Ltd., Guangdong (CN)**
- (72) Inventor: **Yuchang Zhang, Guangdong (CN)**
- (73) Assignee: **Guangzhou Daqian Zhuoer Network Technology Co., Ltd., Guangdong (CN)**

- 5,487,526 A * 1/1996 Hupp B28B 7/24
249/129
- D377,181 S * 1/1997 Hupp D15/136
- D378,822 S * 4/1997 Hupp D15/136
- D379,359 S * 5/1997 Hupp D15/136
- D380,763 S * 7/1997 Hupp D15/136
- 5,733,470 A * 3/1998 Roth E01C 9/001
249/129
- D475,375 S * 6/2003 Curry D15/136
- D602,604 S * 10/2009 Harris D25/113
- D657,405 S * 4/2012 Kinzalow
- D700,803 S * 3/2014 Hamlin D7/409
- D834,624 S * 11/2018 Ishizaki D15/136

(**) Term: **15 Years**

(21) Appl. No.: **29/757,031**

(22) Filed: **Nov. 2, 2020**

(51) **LOC (13) Cl.** **15-03**

(52) **U.S. Cl.**
USPC **D15/136**

(58) **Field of Classification Search**
USPC D15/135, 136
CPC E01C 19/22; E01C 19/43
See application file for complete search history.

(56) **References Cited**

U.S. PATENT DOCUMENTS

- D204,803 S * 5/1966 Leeth D15/136
- 4,231,677 A * 11/1980 Roming B44B 11/02
404/89
- D257,825 S * 1/1981 Puccini D8/45
- 4,354,773 A * 10/1982 Noack E01C 5/00
404/41
- 4,828,426 A * 5/1989 Hendricks E01C 19/43
404/89
- 4,838,728 A * 6/1989 McKeever E01C 19/43
15/105.5
- D342,267 S * 12/1993 Scholtz D15/136
- D342,528 S * 12/1993 Hupp D15/136
- D356,803 S * 3/1995 Hupp D15/136
- 5,406,763 A * 4/1995 Al-Saleh E01C 9/001
52/311.1

Primary Examiner — Charles D Hanson

(74) *Attorney, Agent, or Firm* — ScienBiziP, P.C.

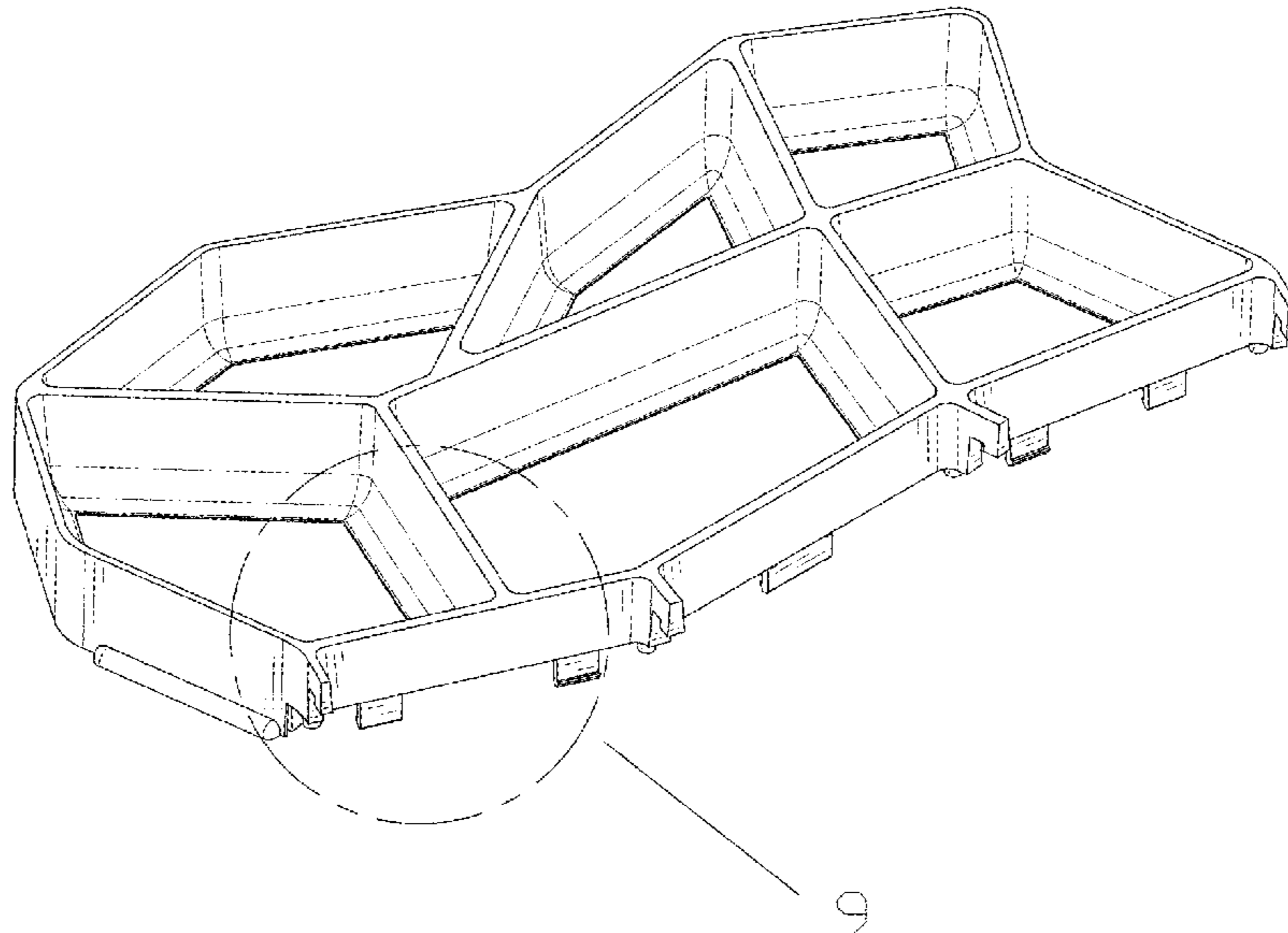
(57) **CLAIM**

The ornamental design for a concrete mold, as shown and described.

DESCRIPTION

FIG. 1 is a top perspective view of a concrete mold, showing my design.
 FIG. 2 is a bottom perspective view thereof.
 FIG. 3 is a front elevation view thereof.
 FIG. 4 is a rear elevation view thereof.
 FIG. 5 is a left side elevation thereof.
 FIG. 6 is a right side elevation thereof.
 FIG. 7 is a top plan view thereof.
 FIG. 8 is a bottom plan view thereof.
 FIG. 9 is an enlarged view of an area labeled 9 in FIG. 1; and,
 FIG. 10 is perspective view showing a state of use of the concrete mold with another concrete mold.
 The broken lines in the drawings depict environmental structure and boundaries and form no part of the claimed design.

1 Claim, 10 Drawing Sheets



(56)

References Cited

U.S. PATENT DOCUMENTS

D907,669 S * 1/2021 Chen D15/136
2018/0117792 A1 * 5/2018 Walter B28B 7/0064

* cited by examiner

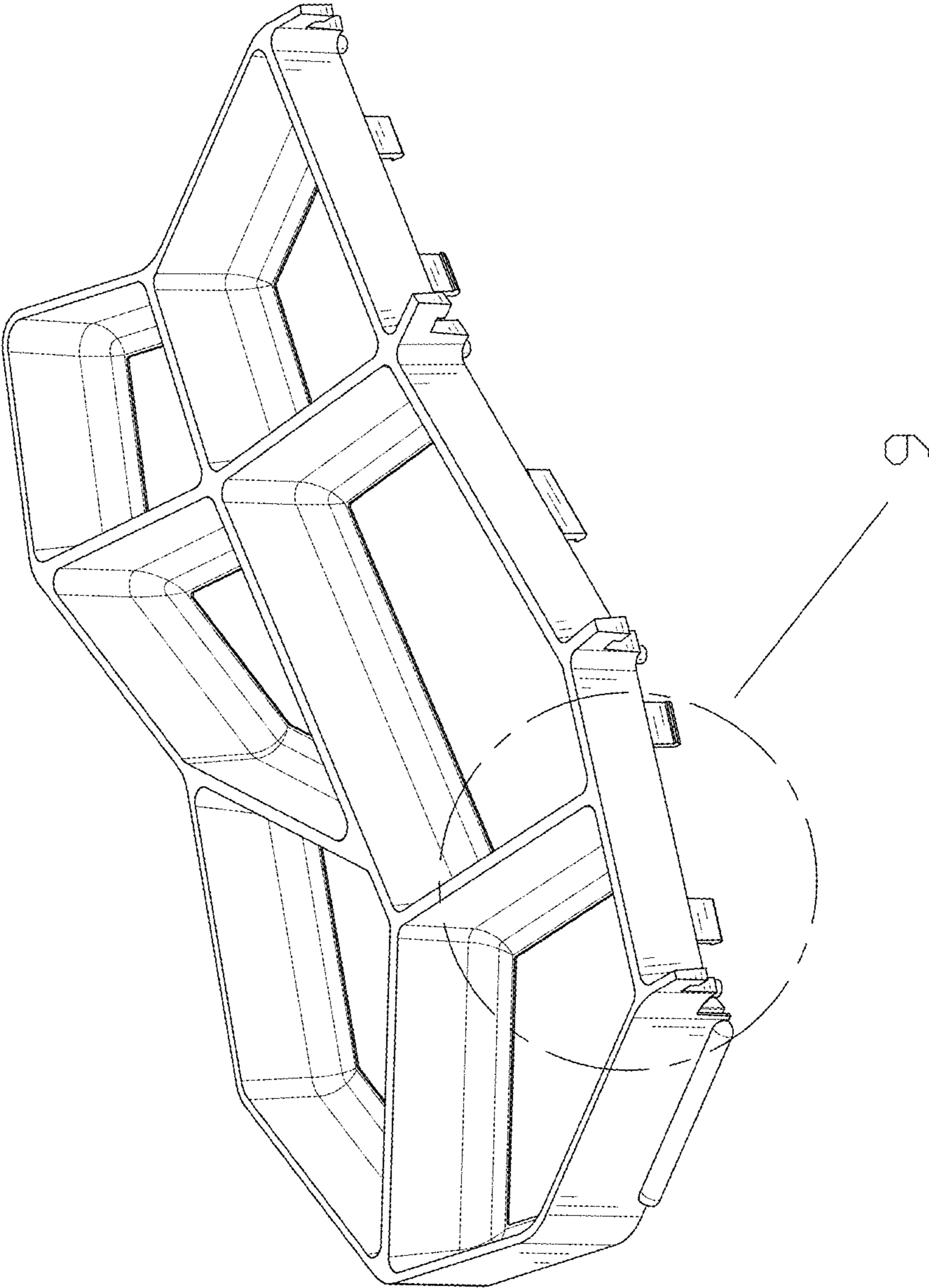


FIG.1

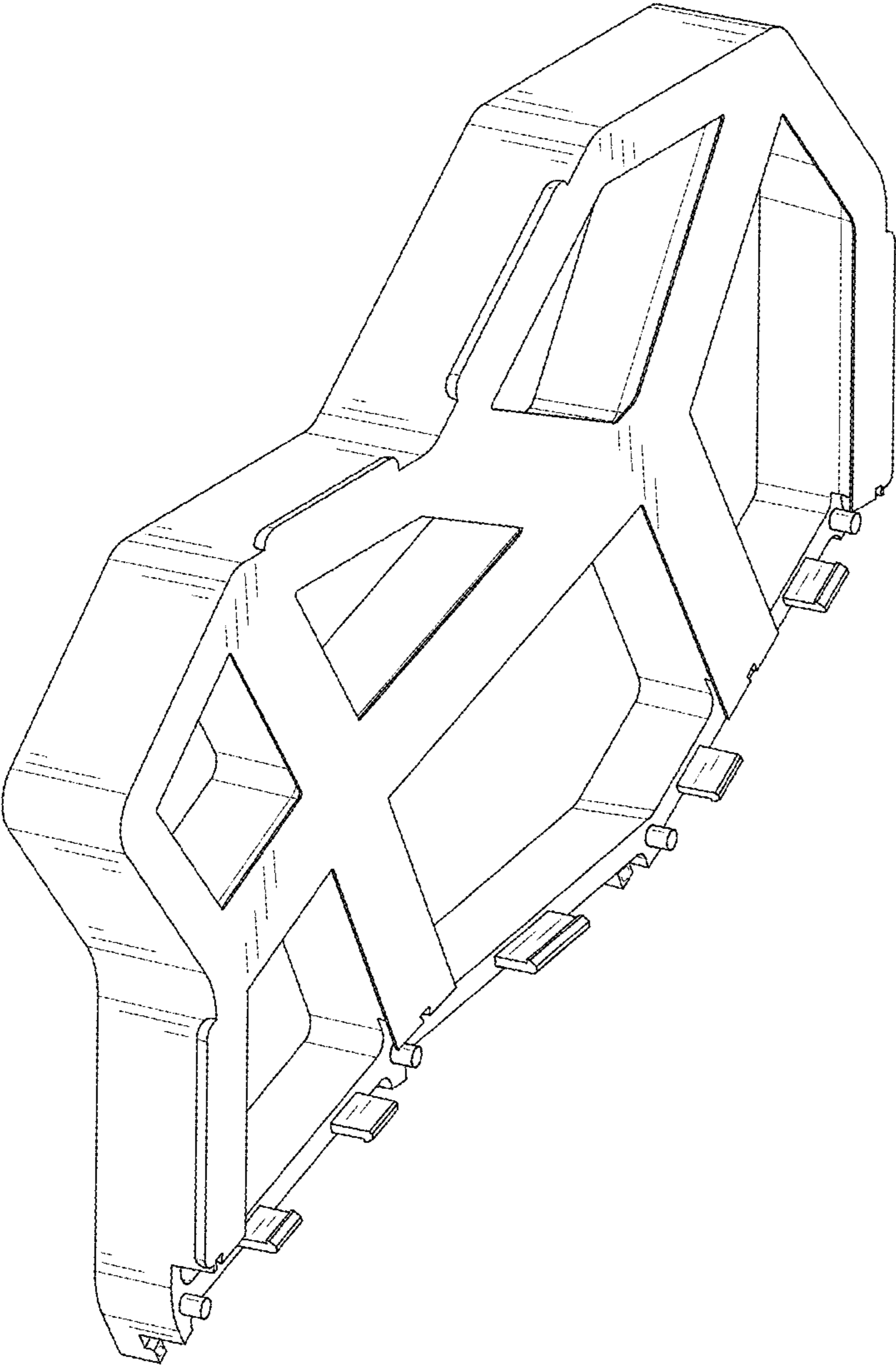


FIG. 2

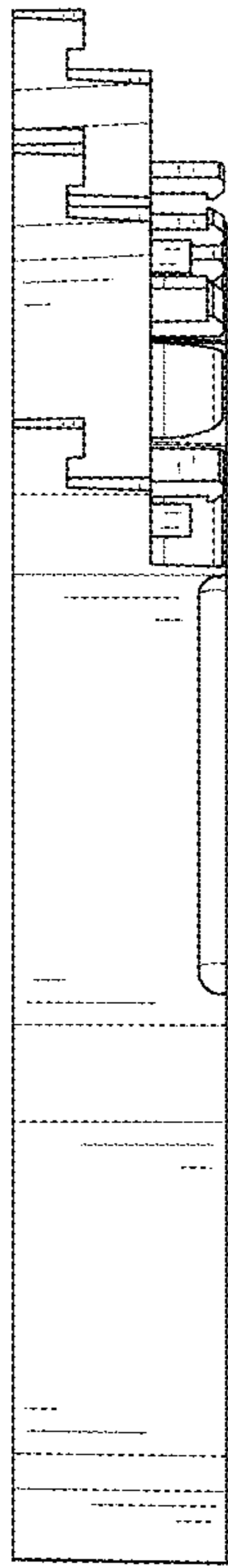


FIG. 3

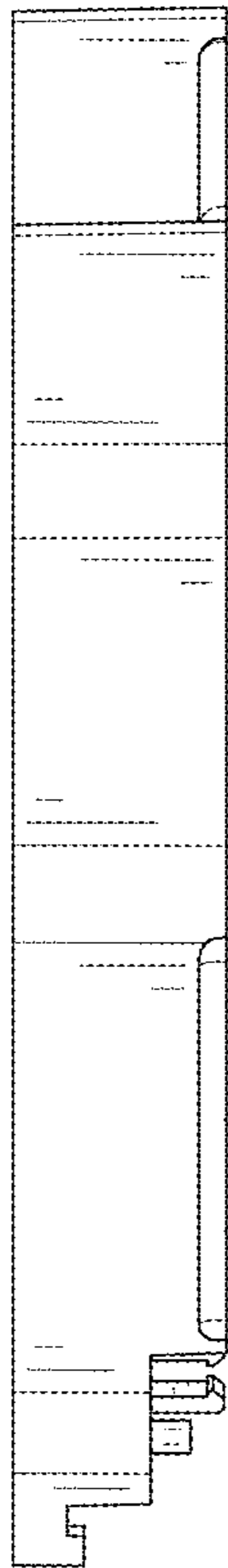


FIG.4

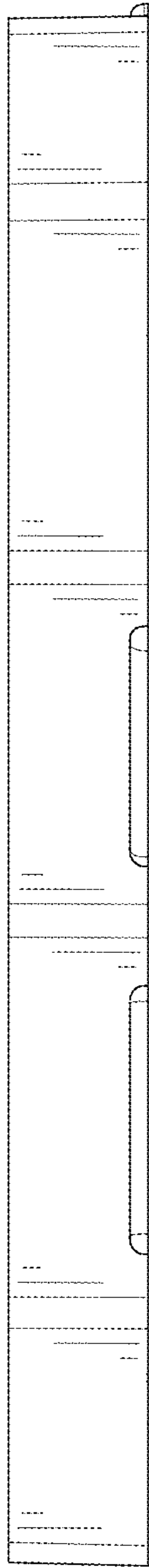


FIG. 5

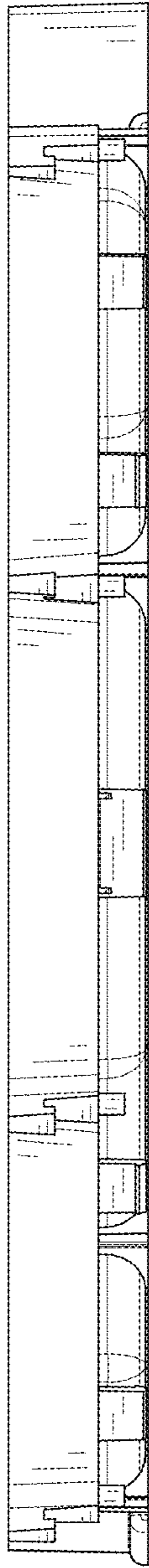


FIG.6

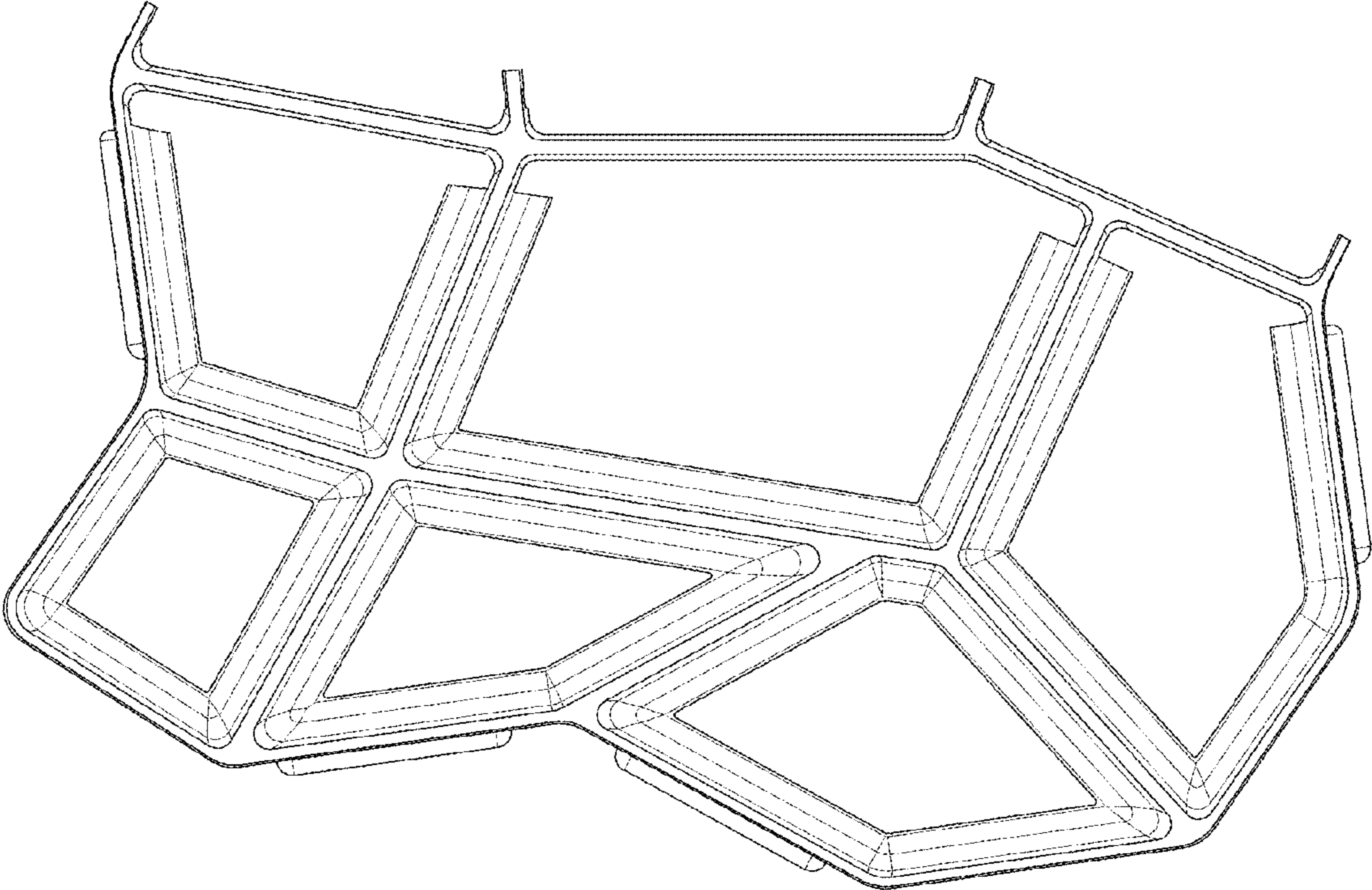


FIG. 7

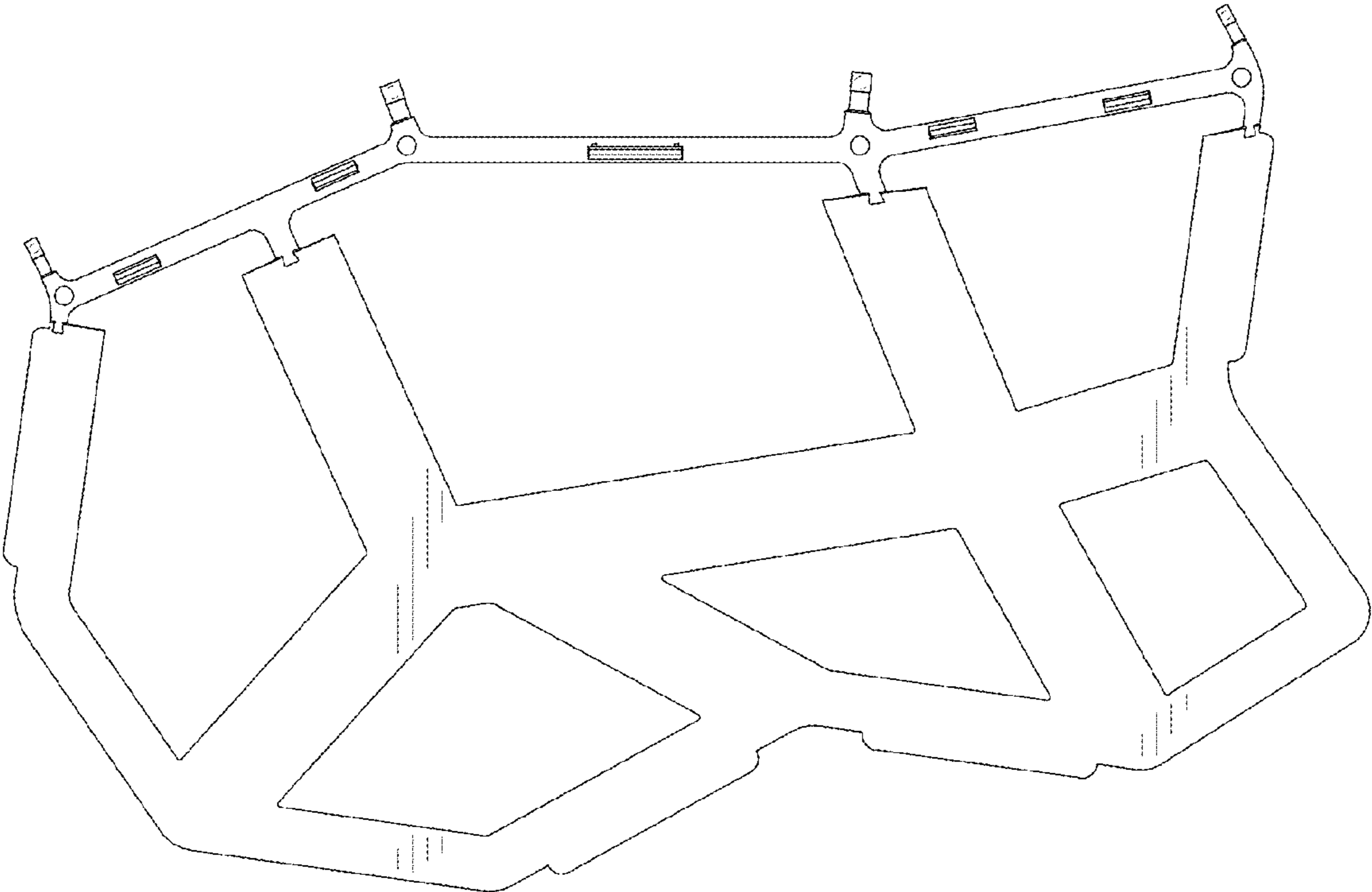


FIG. 8

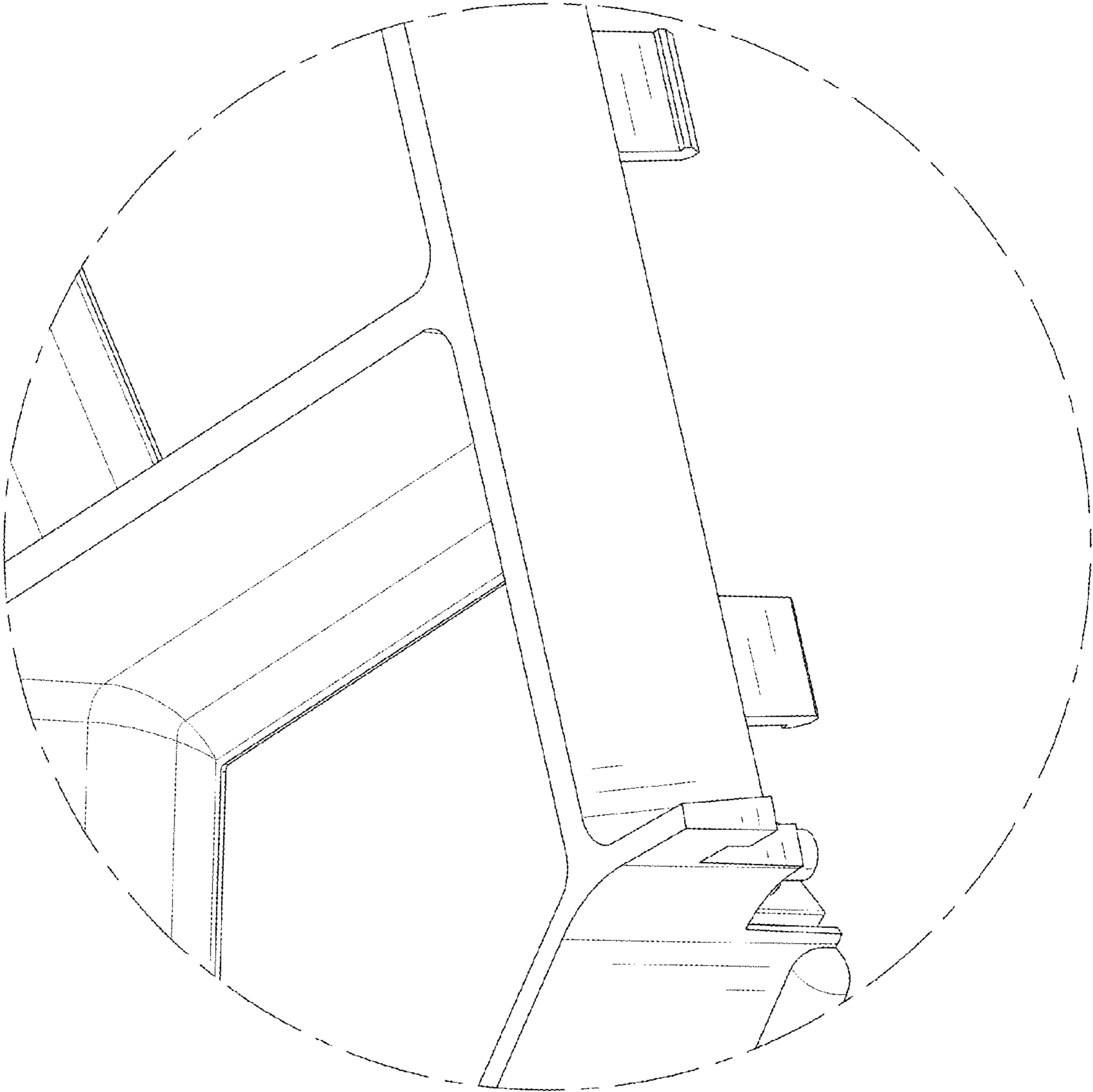


FIG. 9

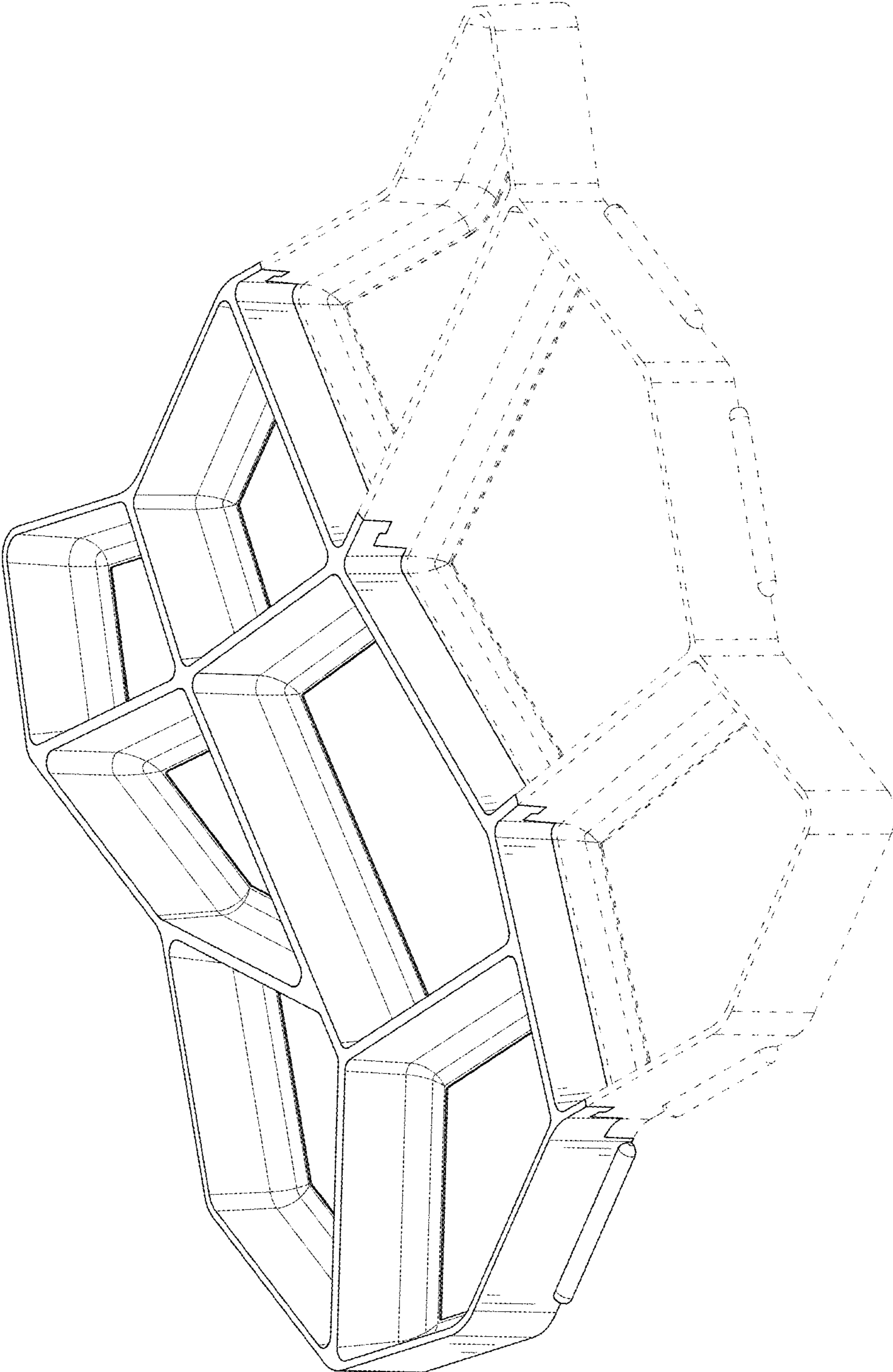


FIG.10