

US00D926840S

(12) **United States Design Patent**  
**Zhang**

(10) **Patent No.:** **US D926,840 S**

(45) **Date of Patent:** **\*\* Aug. 3, 2021**

- (54) **CONCRETE MOLD**
- (71) Applicant: **Guangzhou Daqian Zhuoer Network Technology Co., Ltd., Guangdong (CN)**
- (72) Inventor: **Yuchang Zhang, Guangdong (CN)**
- (73) Assignee: **Guangzhou Daqian Zhuoer Network Technology Co., Ltd., Guangdong (CN)**
- (\*\*) Term: **15 Years**

5,487,526 A *	1/1996	Hupp	.....	B28B 7/24
				249/129
D377,181 S *	1/1997	Hupp	.....	D15/136
D378,822 S *	4/1997	Hupp	.....	D15/136
D379,359 S *	5/1997	Hupp	.....	D15/136
D380,763 S *	7/1997	Hupp	.....	D15/136
5,733,470 A *	3/1998	Roth	.....	E01C 9/001
				249/129
D475,375 S *	6/2003	Curry	.....	D15/136
D602,604 S *	10/2009	Harris	.....	D25/113
D657,405 S *	4/2012	Kinzalow		
D700,803 S *	3/2014	Hamlin	.....	D7/409
D834,624 S *	11/2018	Ishizaki	.....	D15/136
D907,669 S *	1/2021	Chen	.....	D15/136
2018/0117792 A1 *	5/2018	Walter	.....	B28B 7/0064

- (21) Appl. No.: **29/756,902**
- (22) Filed: **Oct. 30, 2020**
- (51) **LOC (13) Cl.** ..... **15-03**
- (52) **U.S. Cl.**  
USPC ..... **D15/136**
- (58) **Field of Classification Search**  
USPC ..... D15/135, 136  
CPC ..... E01C 19/22; E01C 19/43  
See application file for complete search history.

\* cited by examiner

*Primary Examiner* — Charles D Hanson  
(74) *Attorney, Agent, or Firm* — ScienBiziP, P.C.

(57) **CLAIM**

The ornamental design for a concrete mold, as shown and described.

**DESCRIPTION**

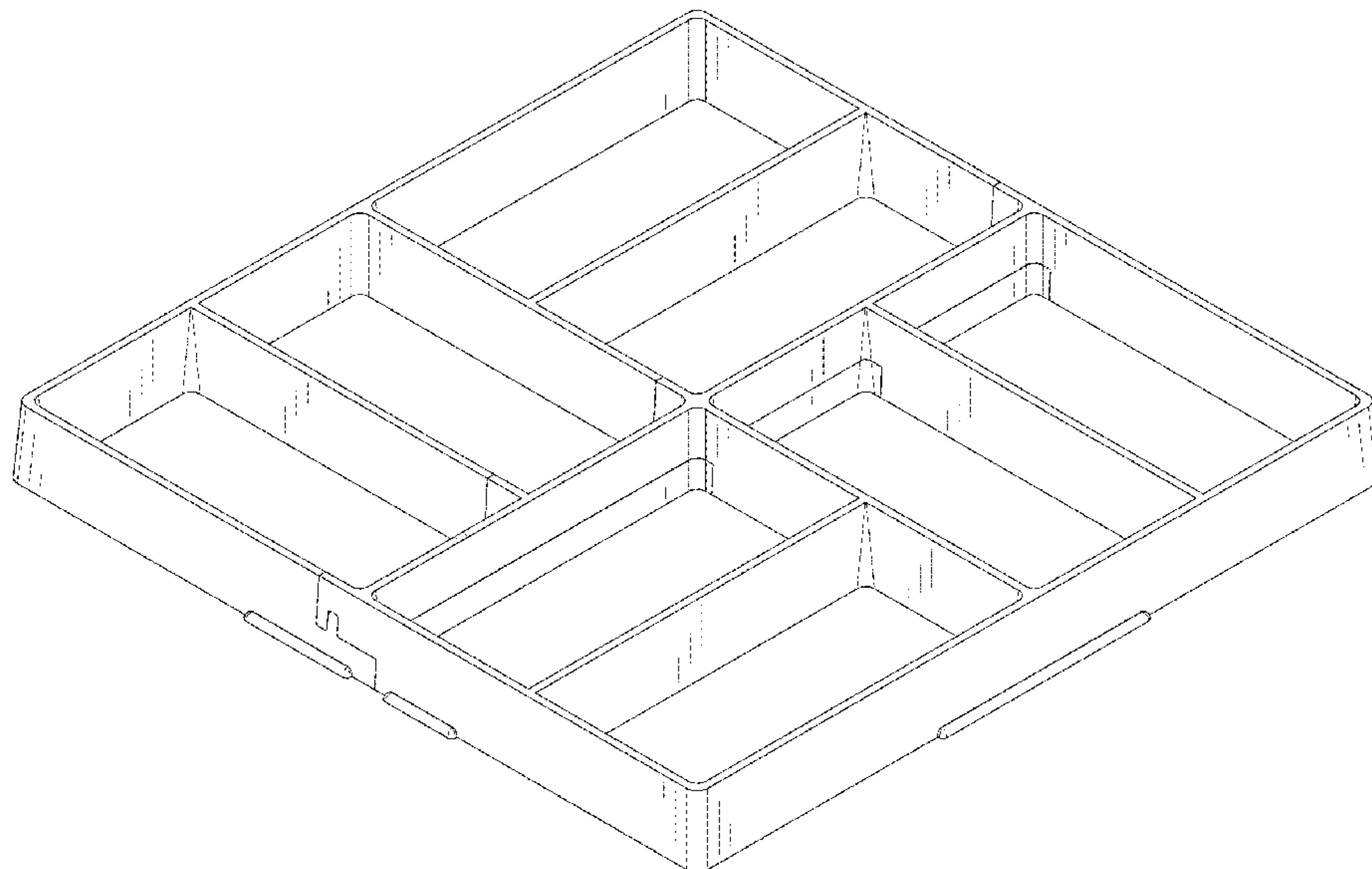
(56) **References Cited**

U.S. PATENT DOCUMENTS

D204,803 S *	5/1966	Leeth	.....	D15/136
4,231,677 A *	11/1980	Roming	.....	B44B 11/02
				404/89
D257,825 S *	1/1981	Puccini	.....	D8/45
4,354,773 A *	10/1982	Noack	.....	E01C 5/00
				404/41
4,828,426 A *	5/1989	Hendricks	.....	E01C 19/43
				404/89
4,838,728 A *	6/1989	McKeever	.....	E01C 19/43
				15/105.5
D342,267 S *	12/1993	Scholtz	.....	D15/136
D342,528 S *	12/1993	Hupp	.....	D15/136
D356,803 S *	3/1995	Hupp	.....	D15/136
5,406,763 A *	4/1995	Al-Saleh	.....	E01C 9/001
				52/311.1

FIG. 1 is a top perspective view of a concrete mold, showing my design.  
 FIG. 2 is a bottom perspective view thereof.  
 FIG. 3 is a front elevation view thereof.  
 FIG. 4 is a rear elevation view thereof.  
 FIG. 5 is a left side elevation thereof.  
 FIG. 6 is a right side elevation thereof.  
 FIG. 7 is a top plan view thereof.  
 FIG. 8 is a bottom plan view thereof.  
 FIG. 9 is an exploded view thereof; and,  
 FIG. 10 is an enlarged view of an area labeled 10 in FIG. 9.  
 The broken lines in the drawings depict environmental structure and boundaries and form no part of the claimed design.

**1 Claim, 10 Drawing Sheets**



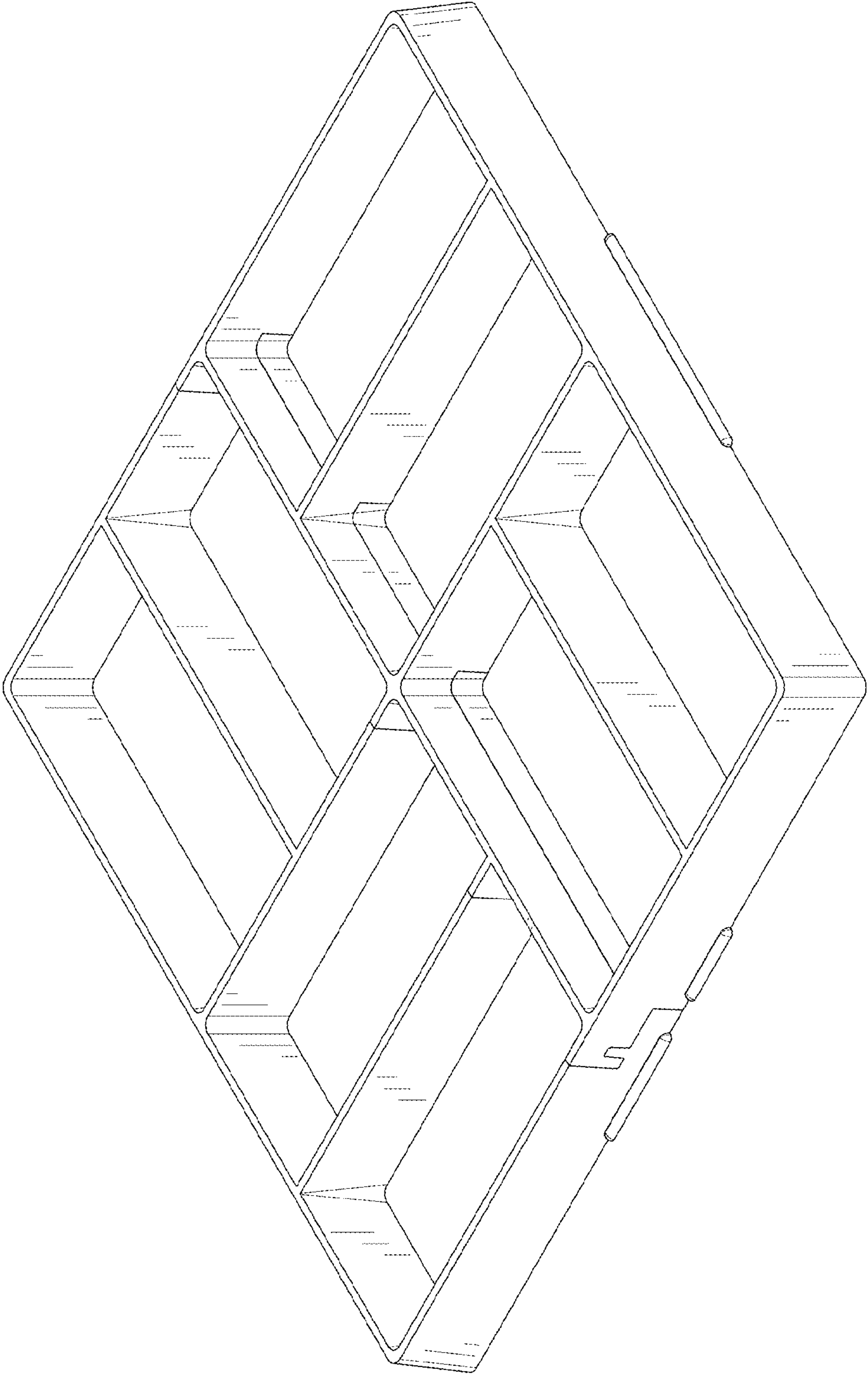


FIG.1

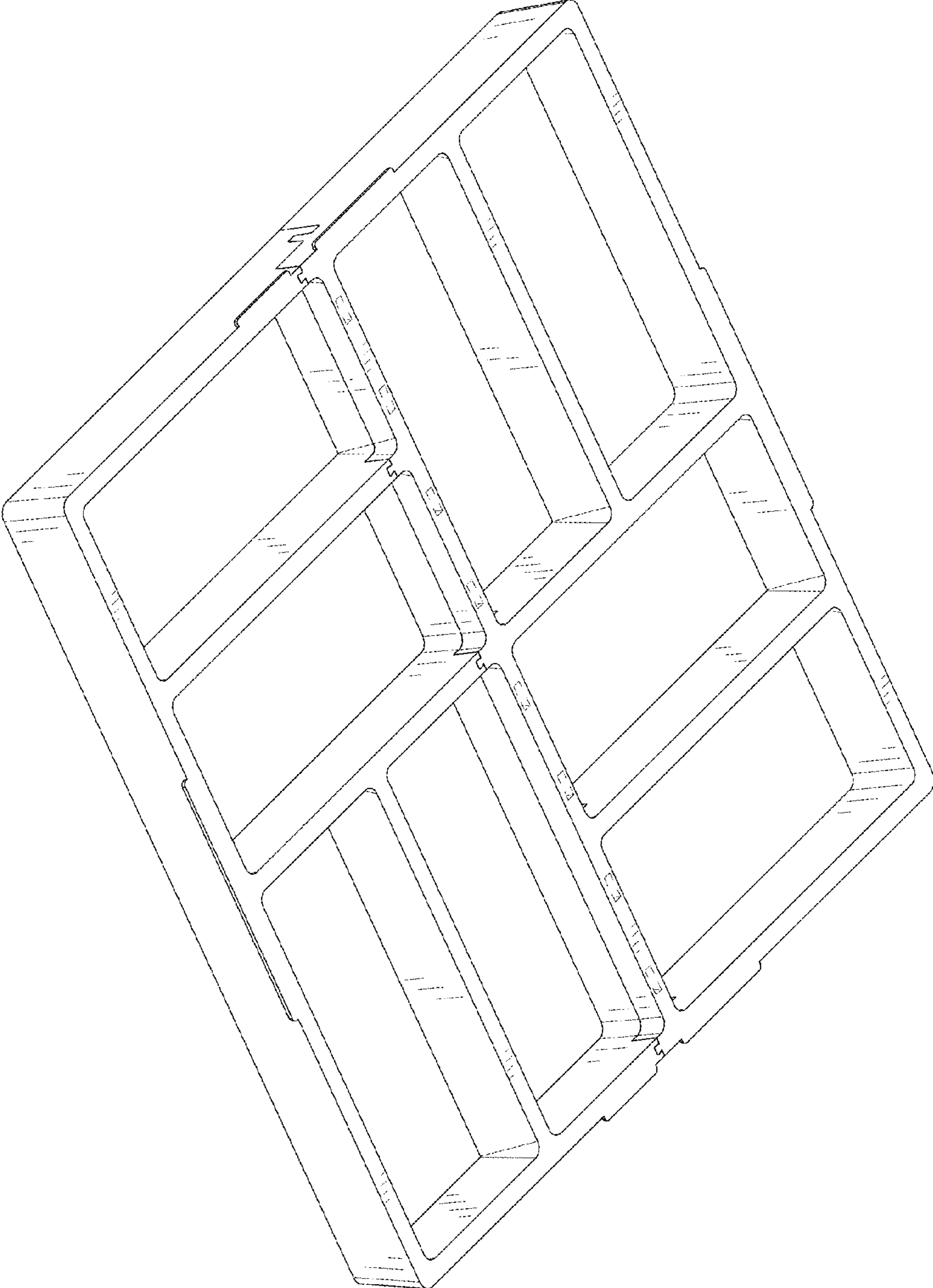


FIG.2

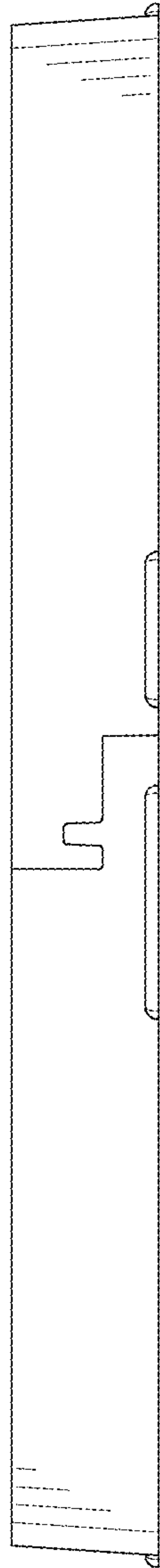


FIG. 3

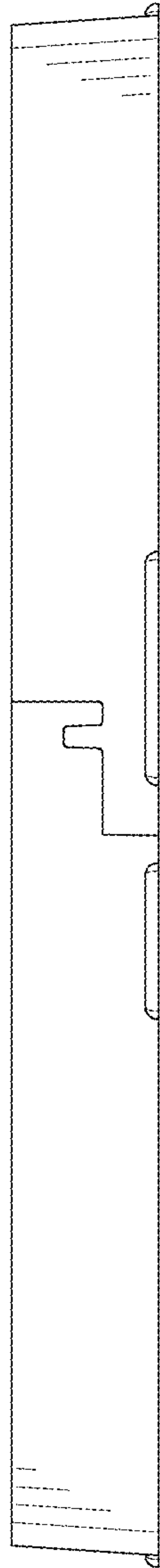


FIG.4



FIG. 5





FIG.6

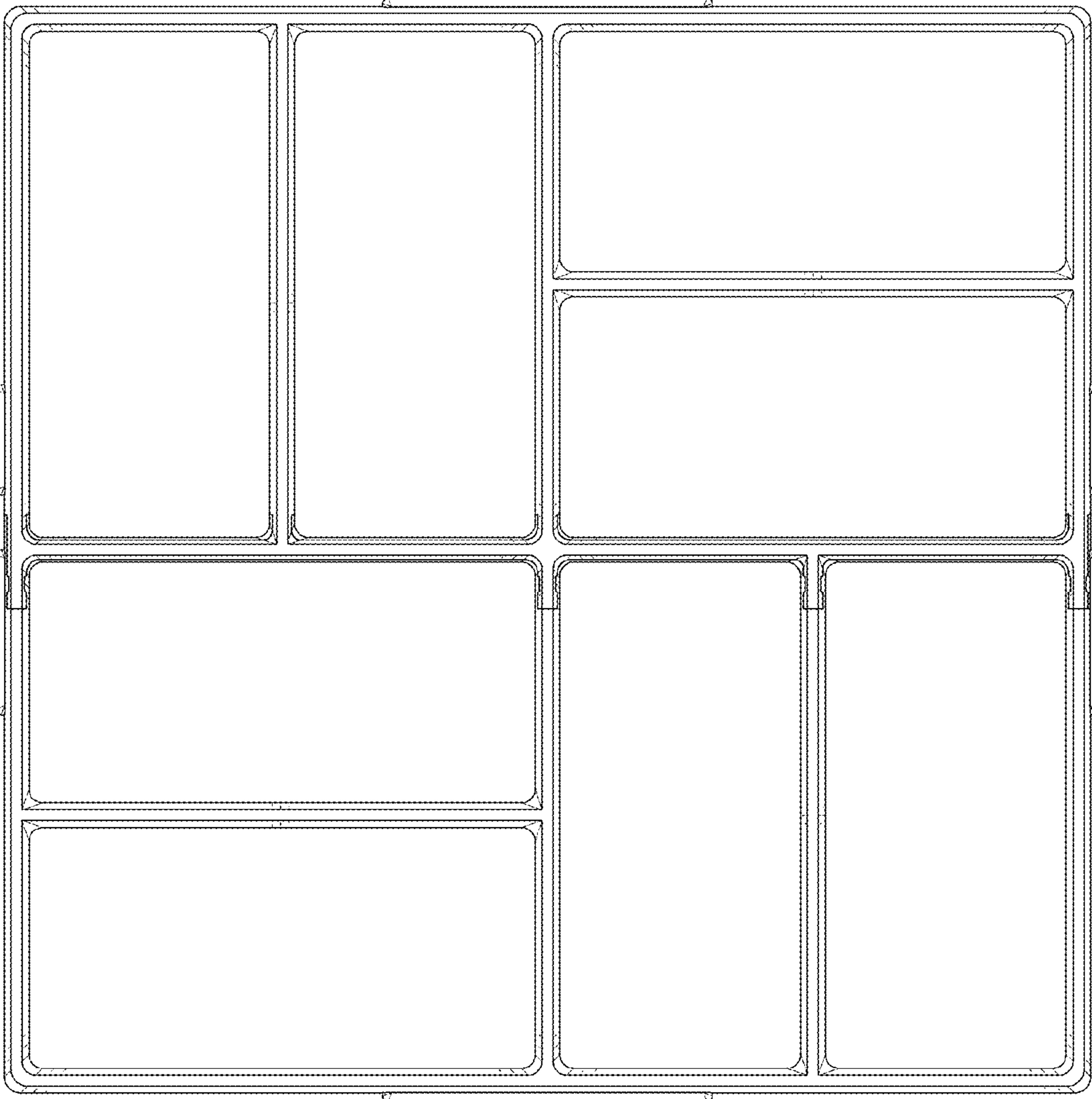


FIG. 7



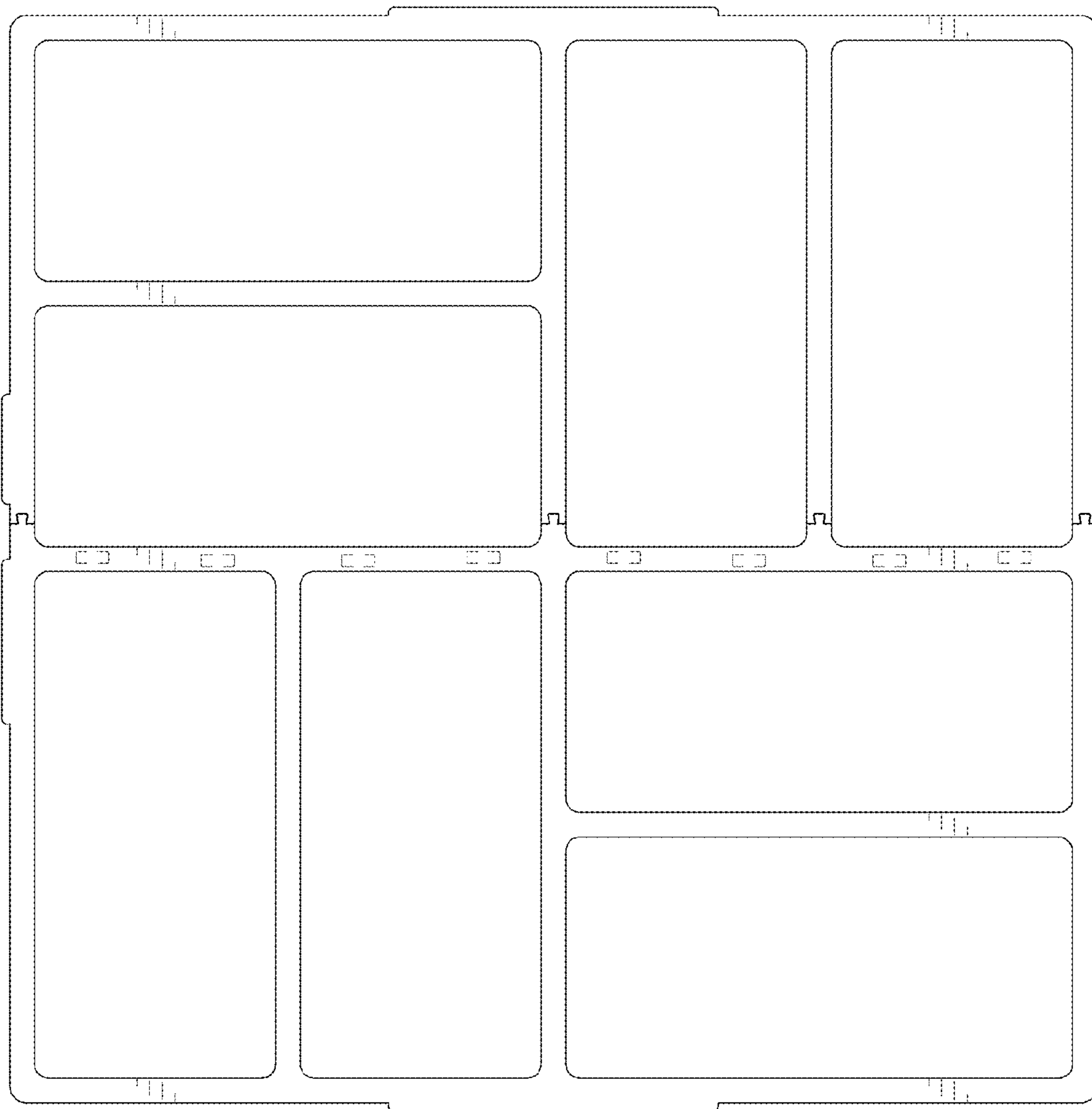


FIG. 8

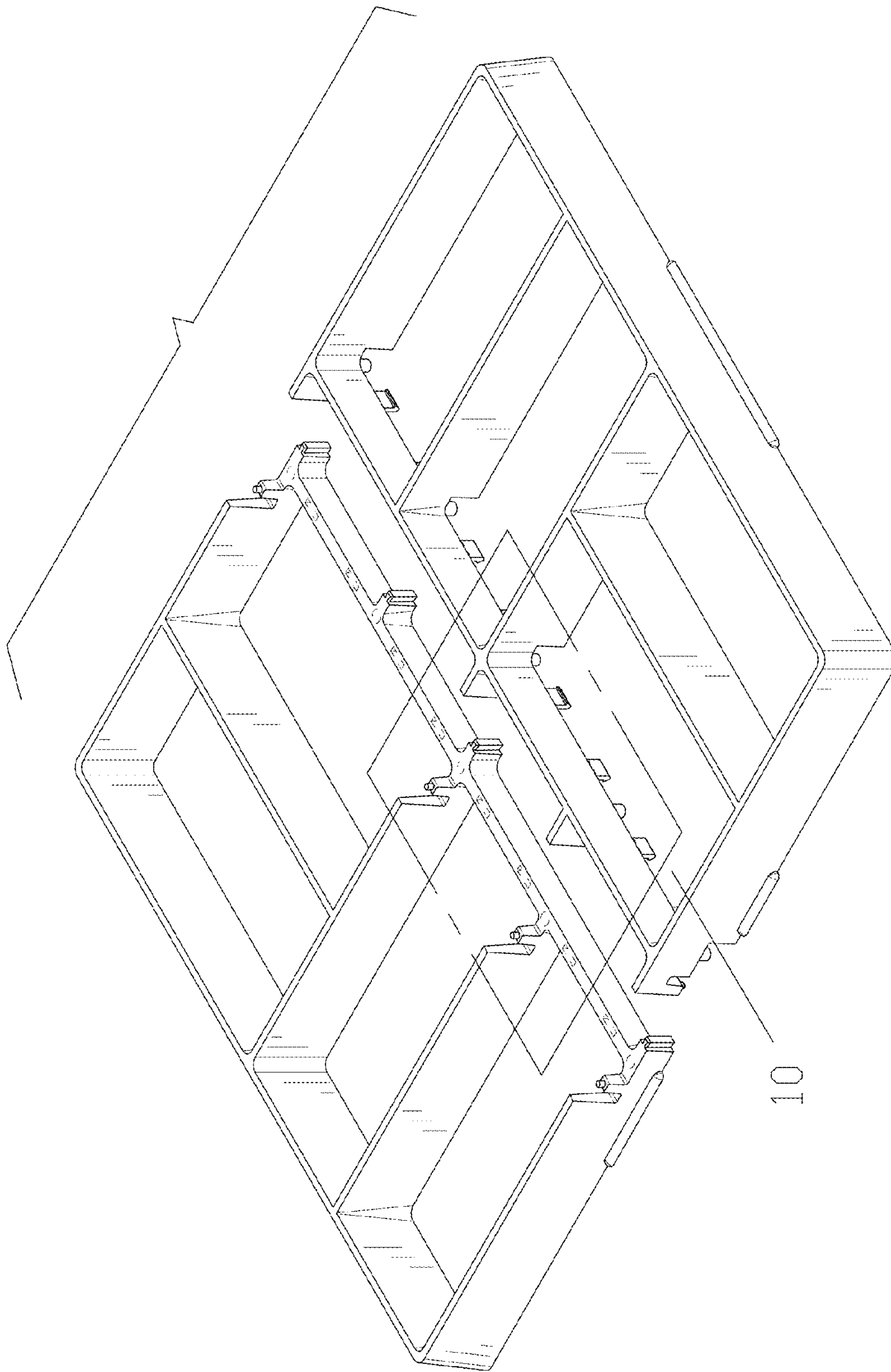


FIG. 9

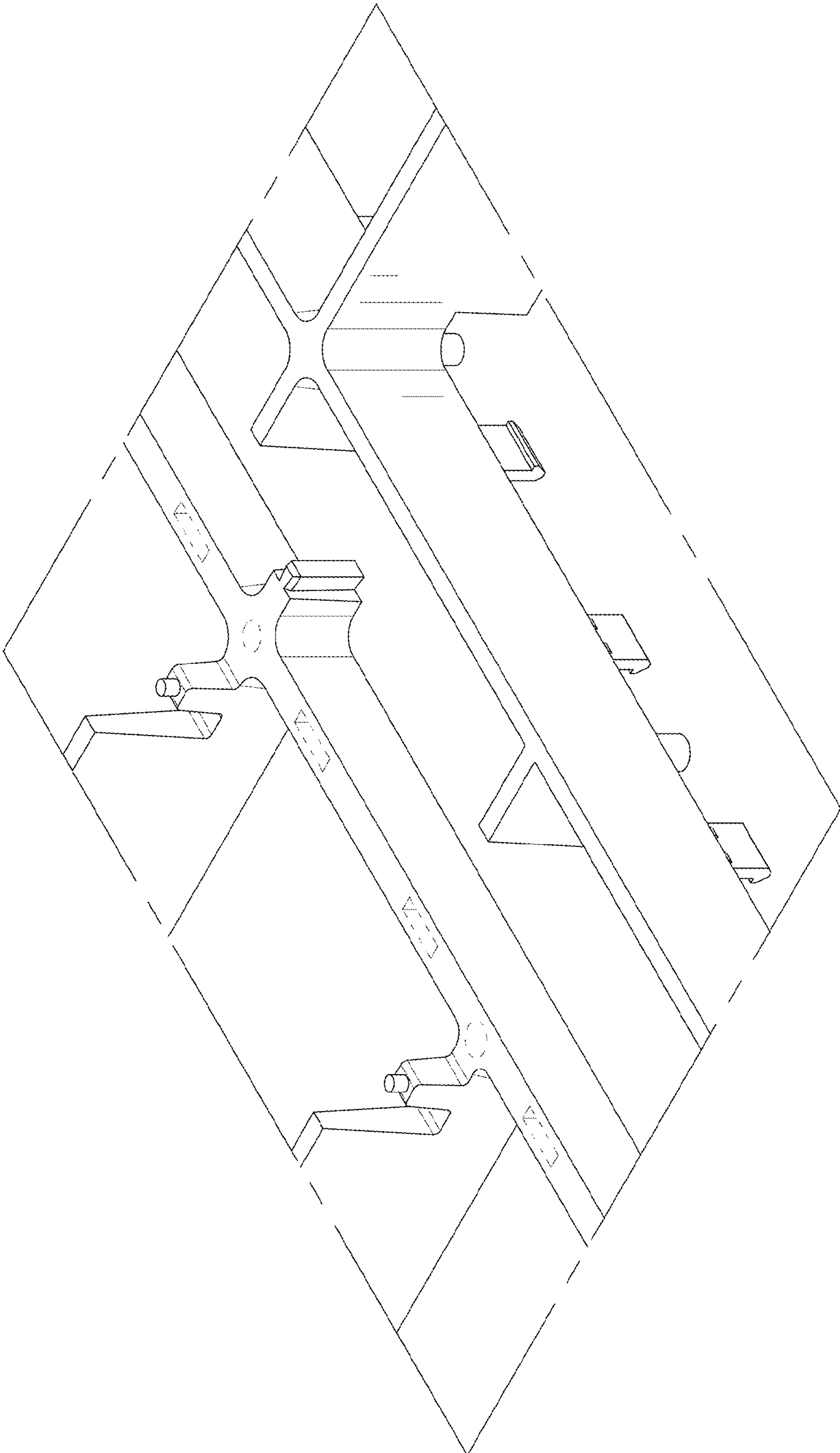


FIG.10