



US00D926838S

(12) **United States Design Patent** (10) **Patent No.:** **US D926,838 S**  
**Block et al.** (45) **Date of Patent:** **\*\* Aug. 3, 2021**

(54) **CREASING RULE FOR PAPERBOARD  
BLANKS**

OTHER PUBLICATIONS

(71) Applicant: **The C.W. Zumbiel Company**, Hebron,  
KY (US)

Seaga Group, Creasing Rule, web site print out, 1 pg., Feb. 24,  
2017.

(Continued)

(72) Inventors: **Steven J. Block**, Amelia, OH (US);  
**Edward A. Zumbiel**, Union, KY (US)

*Primary Examiner* — Khawaja Anwar  
(74) *Attorney, Agent, or Firm* — Wood Herron & Evans  
LLP

(73) Assignee: **The C.W. Zumbiel Company**, Hebron,  
KY (US)

(57) **CLAIM**

(\*\*) Term: **15 Years**

The ornamental design for a creasing rule for paperboard  
blanks, as shown and described.

(21) Appl. No.: **29/654,279**

(22) Filed: **Jun. 22, 2018**

**DESCRIPTION**

**Related U.S. Application Data**

(62) Division of application No. 29/576,364, filed on Sep.  
2, 2016, now abandoned.

(51) **LOC (13) Cl.** ..... **15-03**

(52) **U.S. Cl.**  
USPC ..... **D15/127**

(58) **Field of Classification Search**  
USPC ..... D15/127–129, 122, 138, 139–141;  
D8/44, 51, 68; D19/32, 26–30, 49, 100;  
D18/34.1–34.9, 50, 53, 99  
(Continued)

FIG. 1 is a front elevation view of a first embodiment,  
showing our new design;  
FIG. 1A is a perspective view of the embodiment of FIG. 1  
shown in a creasing assembly for environment;  
FIG. 2 is a front elevation view of a second embodiment,  
showing our new design;  
FIG. 2A is a perspective view of the embodiment of FIG. 2  
shown in a creasing assembly for environment;  
FIG. 3 is a front elevation view of a third embodiment,  
showing our new design;  
FIG. 3A is a perspective view of the embodiment of FIG. 3  
shown in a creasing assembly for environment;  
FIG. 4 is a front elevation view of a fourth embodiment,  
showing our new design;  
FIG. 4A is a perspective view of the embodiment of FIG. 4  
shown in a creasing assembly for environment;  
FIG. 5 is a front elevation view of a fifth embodiment,  
showing our new design;  
FIG. 5A is a perspective view of the embodiment of FIG. 5  
shown in a creasing assembly for environment;  
FIG. 6 is a front elevation view of a sixth embodiment,  
showing our new design; and,  
FIG. 6A is a perspective view of the embodiment of FIG. 6  
shown in a creasing assembly for environment.

(56) **References Cited**

U.S. PATENT DOCUMENTS

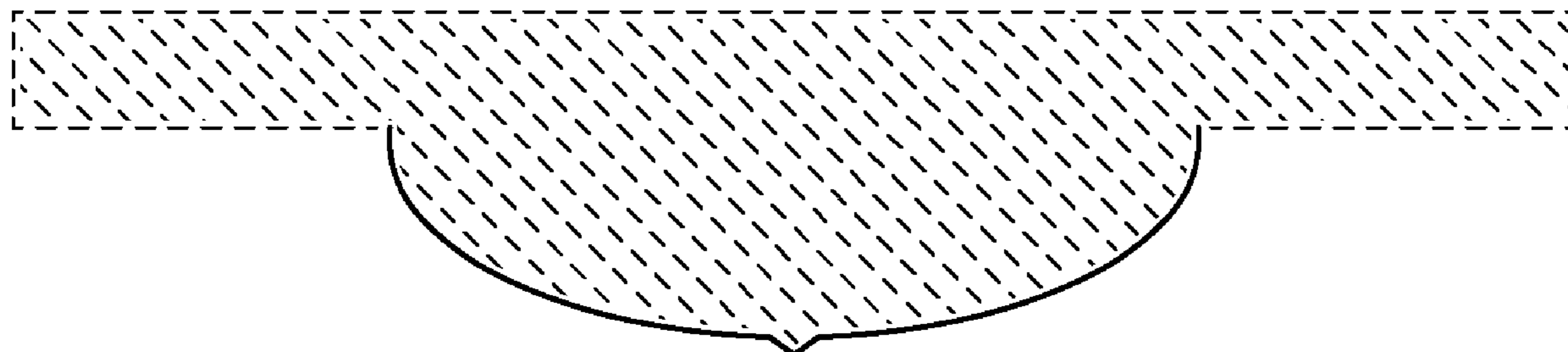
1,847,147 A \* 3/1932 Thomas, Jr. .... H02G 3/06  
174/68.3  
2,250,156 A \* 7/1941 Ferguson ..... H01R 4/026  
174/84 R

(Continued)

FOREIGN PATENT DOCUMENTS

GB 2530723 A 4/2016  
JP H09300299 A 11/1997

**1 Claim, 6 Drawing Sheets**



(58) **Field of Classification Search**

CPC ..... B23P 19/04; B23P 15/28; B23P 15/34;  
 B23P 6/00; B23Q 9/0042; B23Q 11/0046;  
 B23Q 11/0057; B23Q 11/1069; B23Q  
 17/2409; B23Q 3/1554; B23Q 7/001;  
 B24D 18/00; B24D 3/00; B24D 3/06;  
 B29C 64/386; B29C 2035/0822; B29C  
 2035/0827; B29C 2035/0833; B29C  
 2035/0838; B29C 2035/0844; B29C  
 2071/022; B29C 2947/92695; B29C  
 2947/92704; B29C 35/0805; B29C 35/16;  
 B29C 47/0002; B29C 47/0004; B29C  
 47/0009; B29C 47/0057; B29C 47/92;  
 B29C 64/00; B29C 64/106; B29C 64/129;  
 B29C 64/135; B29C 64/141; B29C  
 64/165; B29C 64/20; B29C 64/223; B29C  
 64/40; B29C 65/18; B29C 69/001; B29C  
 70/16; B29C 70/28; B29C 70/38; B29C  
 70/545; B29C 71/02

See application file for complete search history.

4,963,126 A 10/1990 Jesch  
 D343,398 S 1/1994 Dunn  
 6,203,482 B1 3/2001 Sandford  
 6,441,338 B1 8/2002 Rabinovich  
 D568,429 S \* 5/2008 Takayama ..... D21/778  
 D616,317 S 5/2010 Yeh  
 D660,365 S \* 5/2012 Bengyak ..... D20/33  
 D680,182 S \* 4/2013 Holliday ..... D21/778  
 D697,137 S \* 1/2014 Bengyak ..... D20/33  
 D703,781 S \* 4/2014 Durante ..... D21/778  
 D709,578 S \* 7/2014 Field ..... D21/778  
 D778,353 S \* 2/2017 Hamayde ..... D18/34.1  
 D795,344 S \* 8/2017 Cenzano ..... D19/32  
 D818,787 S \* 5/2018 Kitago ..... D8/44  
 D820,329 S \* 6/2018 Kanada ..... D15/139  
 D867,506 S \* 11/2019 Montanaro ..... D21/778  
 D884,251 S \* 5/2020 Wurtz ..... D26/94  
 2005/0209075 A1 9/2005 Kocherga et al.  
 2008/0108490 A1 5/2008 Kocherga et al.  
 2010/0257987 A1 10/2010 Palm  
 2013/0029823 A1 1/2013 Zoeckler  
 2014/0352509 A1 12/2014 Schroder

(56) **References Cited**

U.S. PATENT DOCUMENTS

3,224,314 A \* 12/1965 Wolnez ..... B26D 7/22  
 83/522.26  
 3,653,304 A 4/1972 Lenoir  
 D245,831 S 9/1977 West et al.  
 4,299,575 A \* 11/1981 Carrow ..... B60Q 1/26  
 362/543  
 4,334,446 A \* 6/1982 Field ..... B23B 29/043  
 407/40  
 4,458,936 A \* 7/1984 Mulholland ..... B62D 35/001  
 296/180.4  
 D276,528 S 11/1984 Shaffer  
 D277,864 S 3/1985 Hoffman, Jr. et al.  
 4,693,535 A \* 9/1987 Frode ..... H01M 2/24  
 429/160  
 4,831,345 A \* 5/1989 Schiavone ..... H01P 5/12  
 29/846

OTHER PUBLICATIONS

Advanced Die Supplies, Creasing Rule, web site printout, 3 pgs.,  
 Feb. 24, 2017.  
 HD Stahl-Steel-Acier, HD Creasing Rules, web site printout, 3 pgs.,  
 Feb. 24, 2017.  
 Ameri-Ken, Steel Rule—Creasing, web site printout, 3 pgs., Feb.  
 24, 2017.  
 CITO Group, Hinge Crease, web site printout, 5 pgs., Feb. 24, 2017.  
 Rotalaser; Consumable Materials, web site printout, 3 pgs., Feb. 24,  
 2017.  
 UP Group, Creasing Rule, web site printout, 1 pg., Feb. 24, 2017.  
 FAG Graphic Systems, Creasing, Scoring, Folding, Embossing,  
 Manual, 53 pgs., Undated.  
 Iggesund Paperboard, Die-culling and creasing, Manual, 24 pgs.,  
 Feb. 24, 2017.  
 International Searching Authority, PCT/US2017/064171; Search  
 Report and Written Opinion, 12 pgs, dated Dec. 1, 2017.

\* cited by examiner

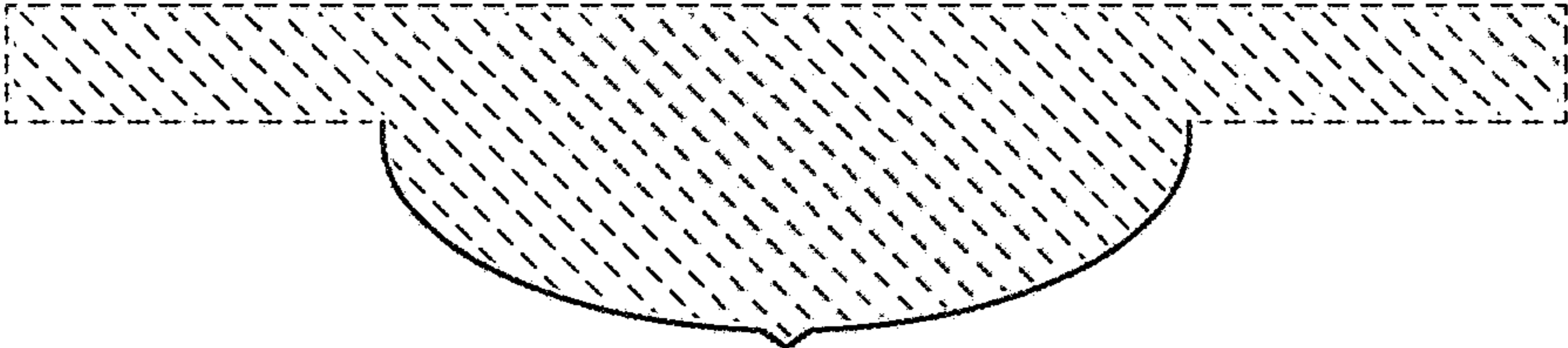


FIG. 1

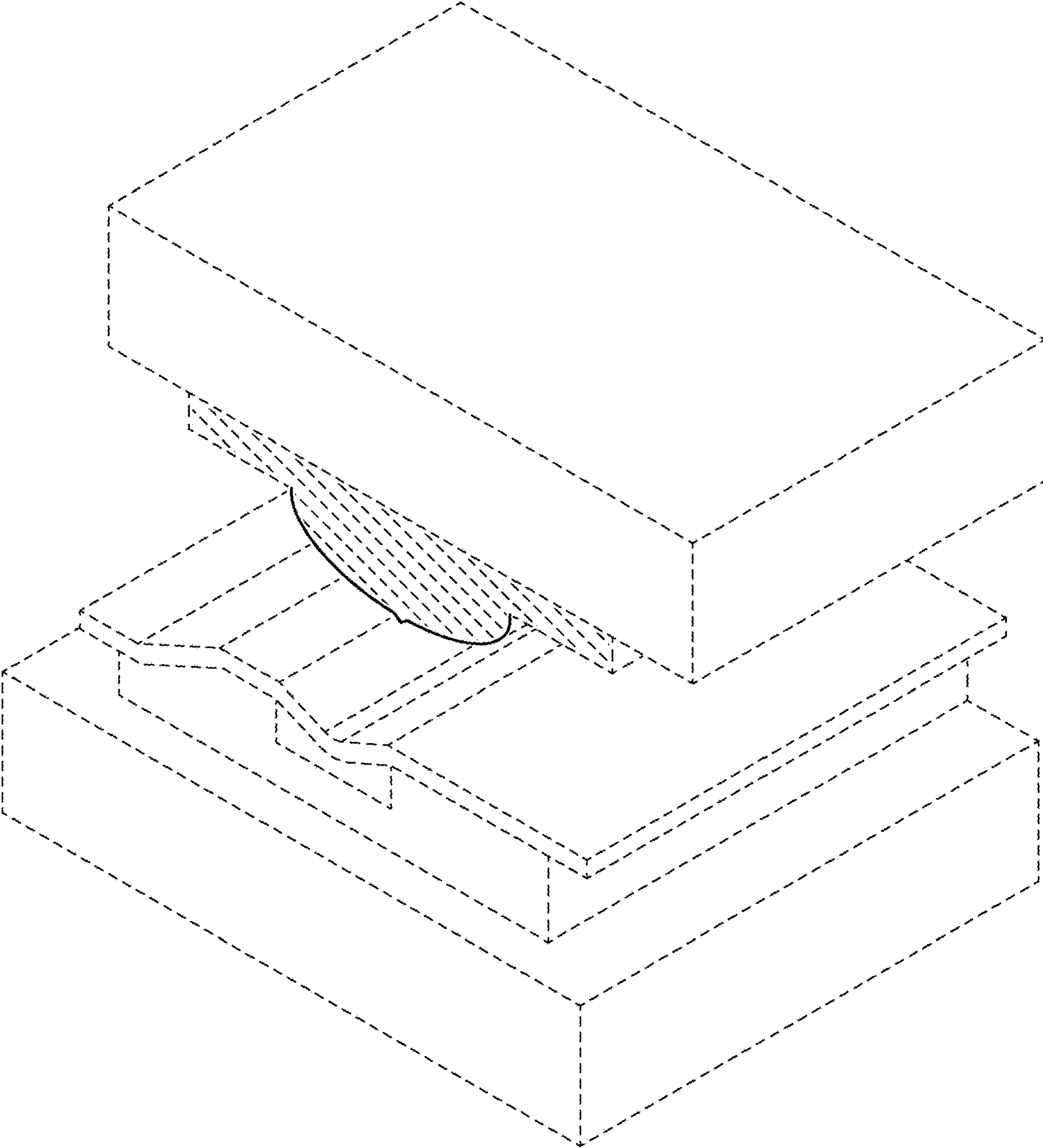


FIG. 1A

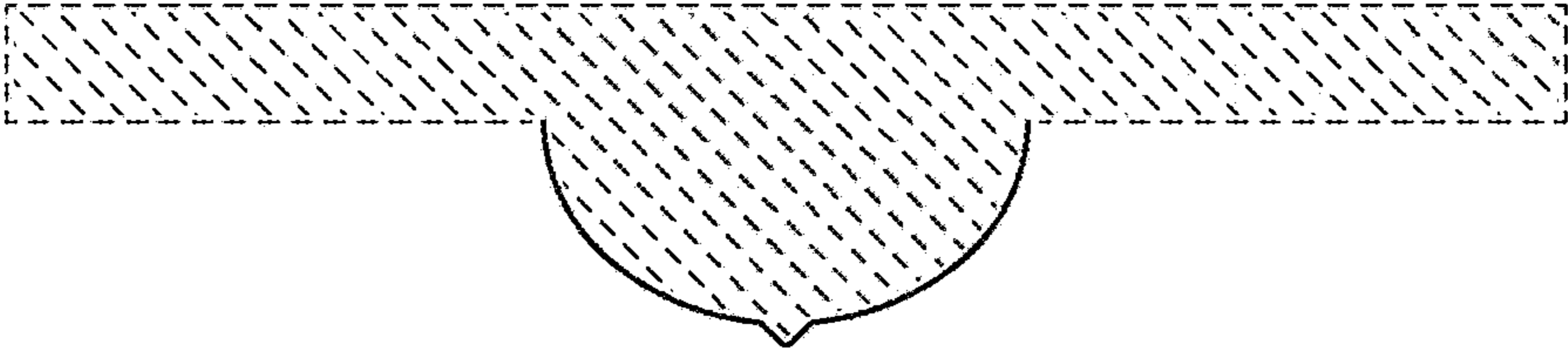


FIG. 2

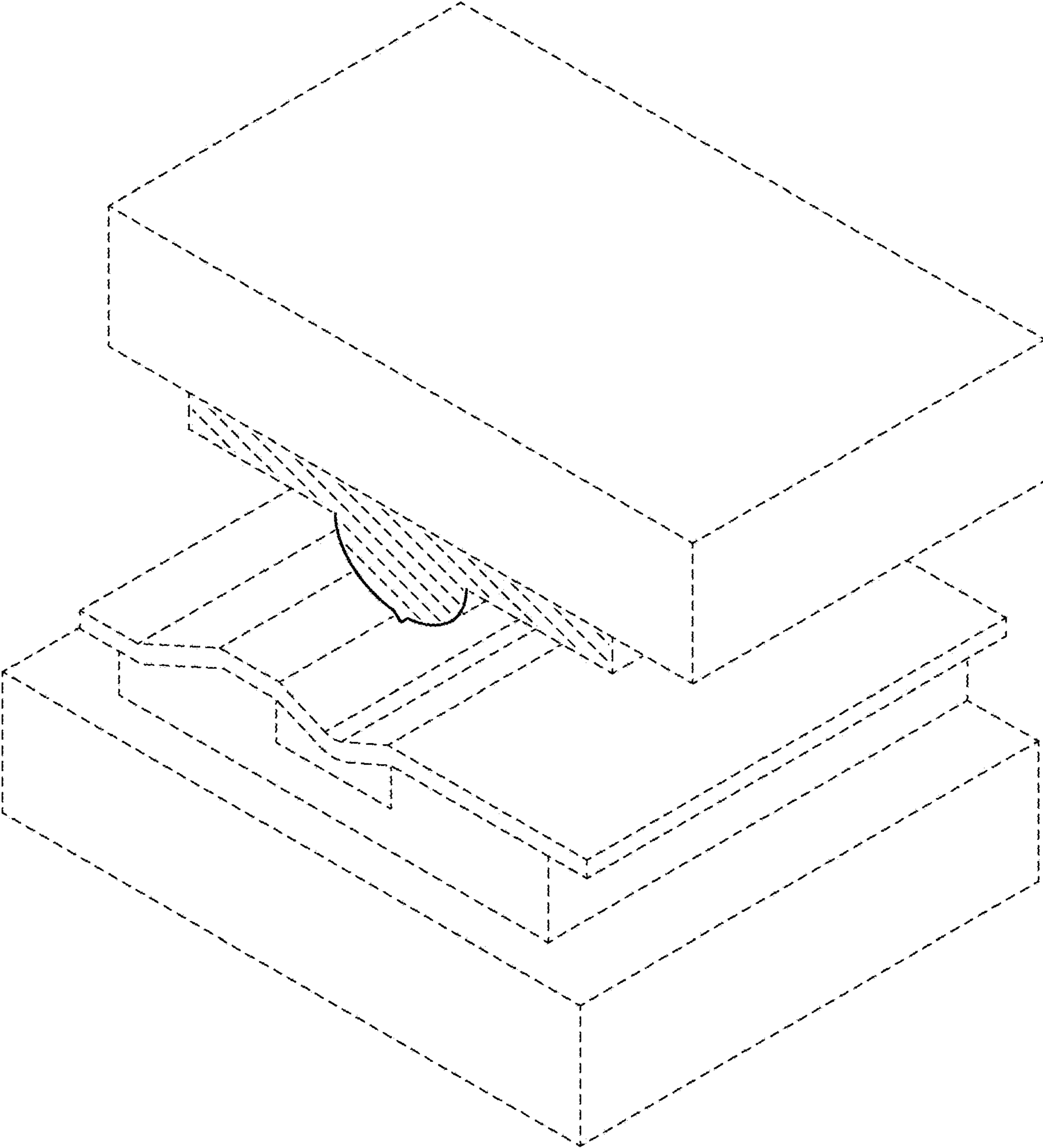


FIG. 2A

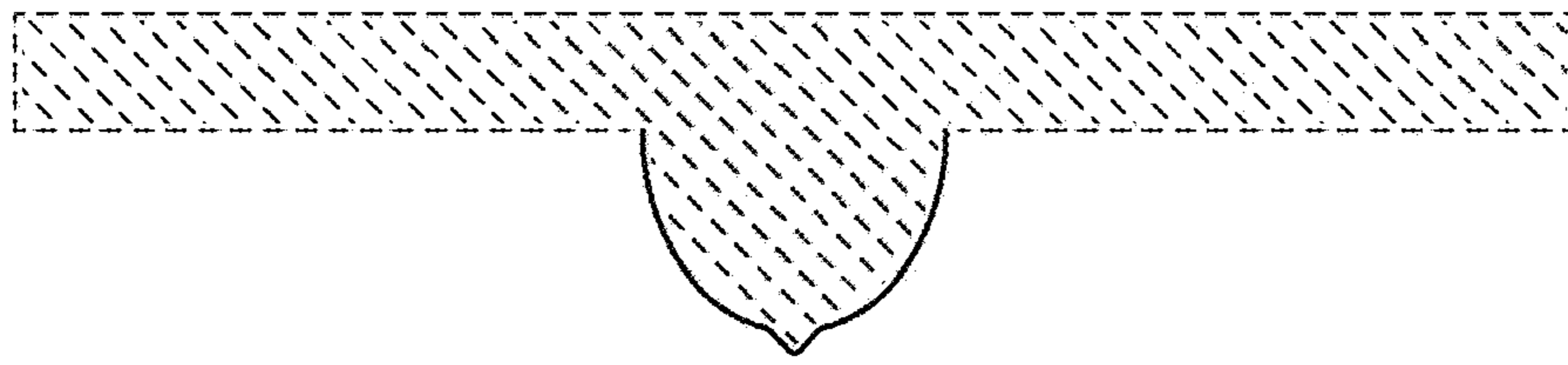


FIG. 3

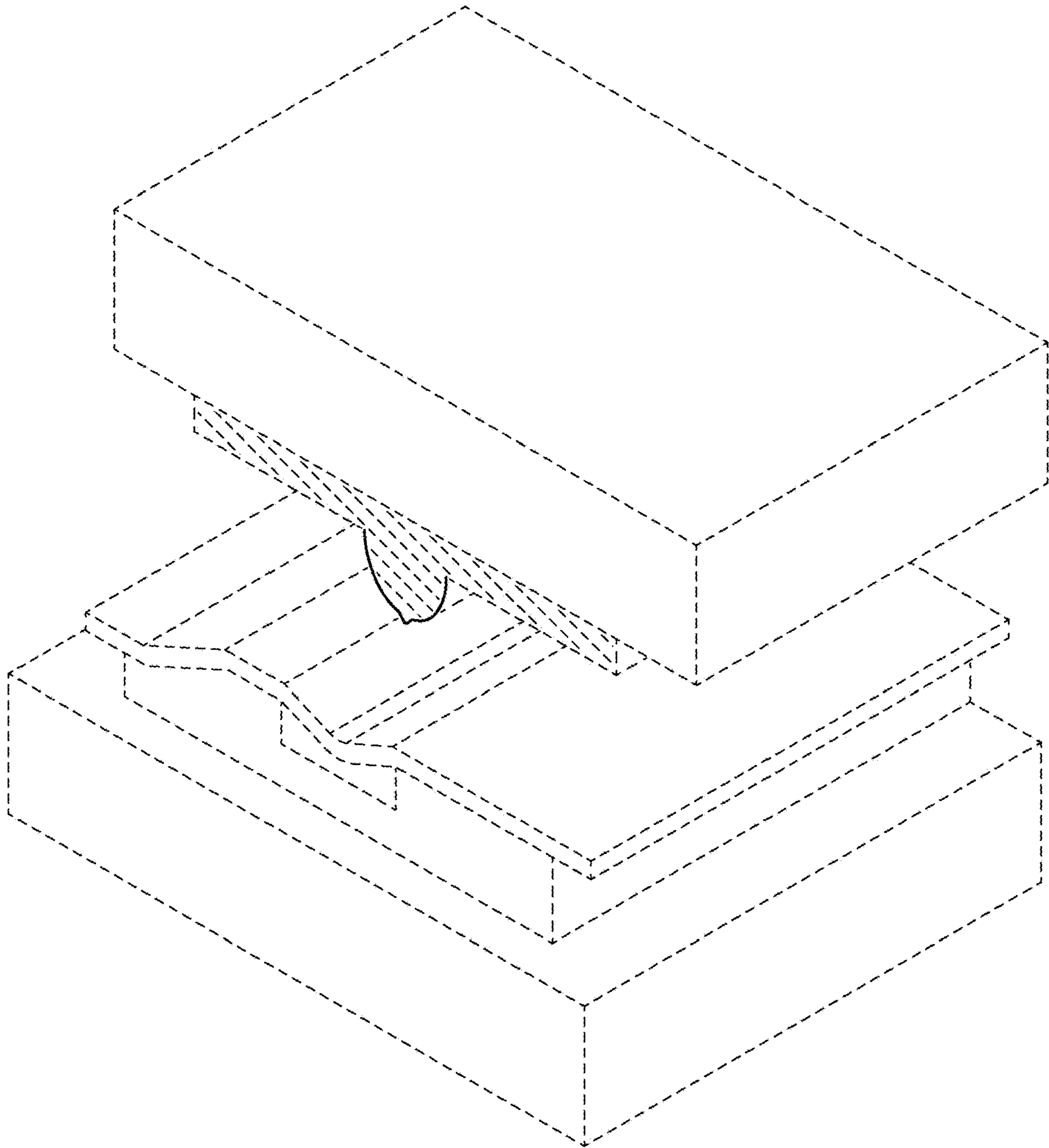


FIG. 3A

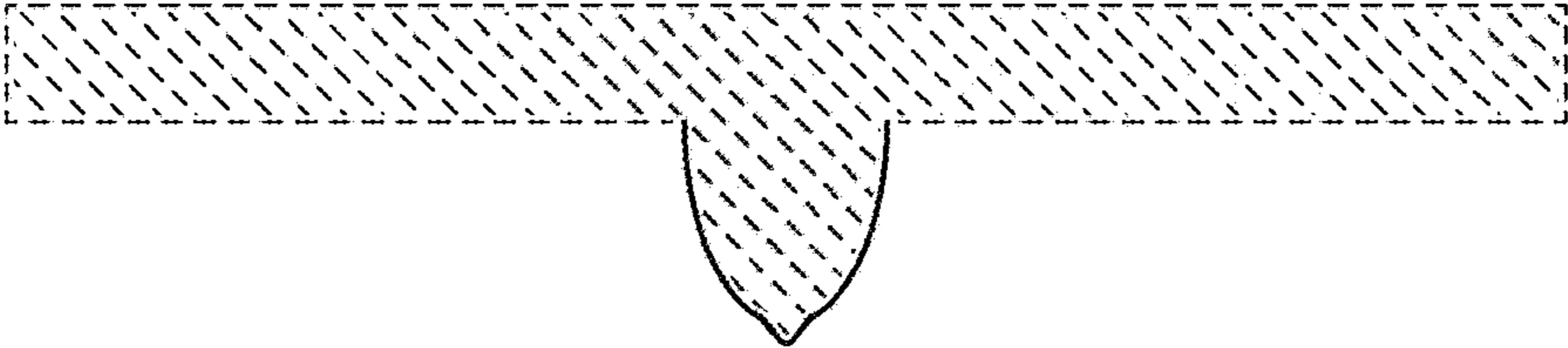


FIG. 4

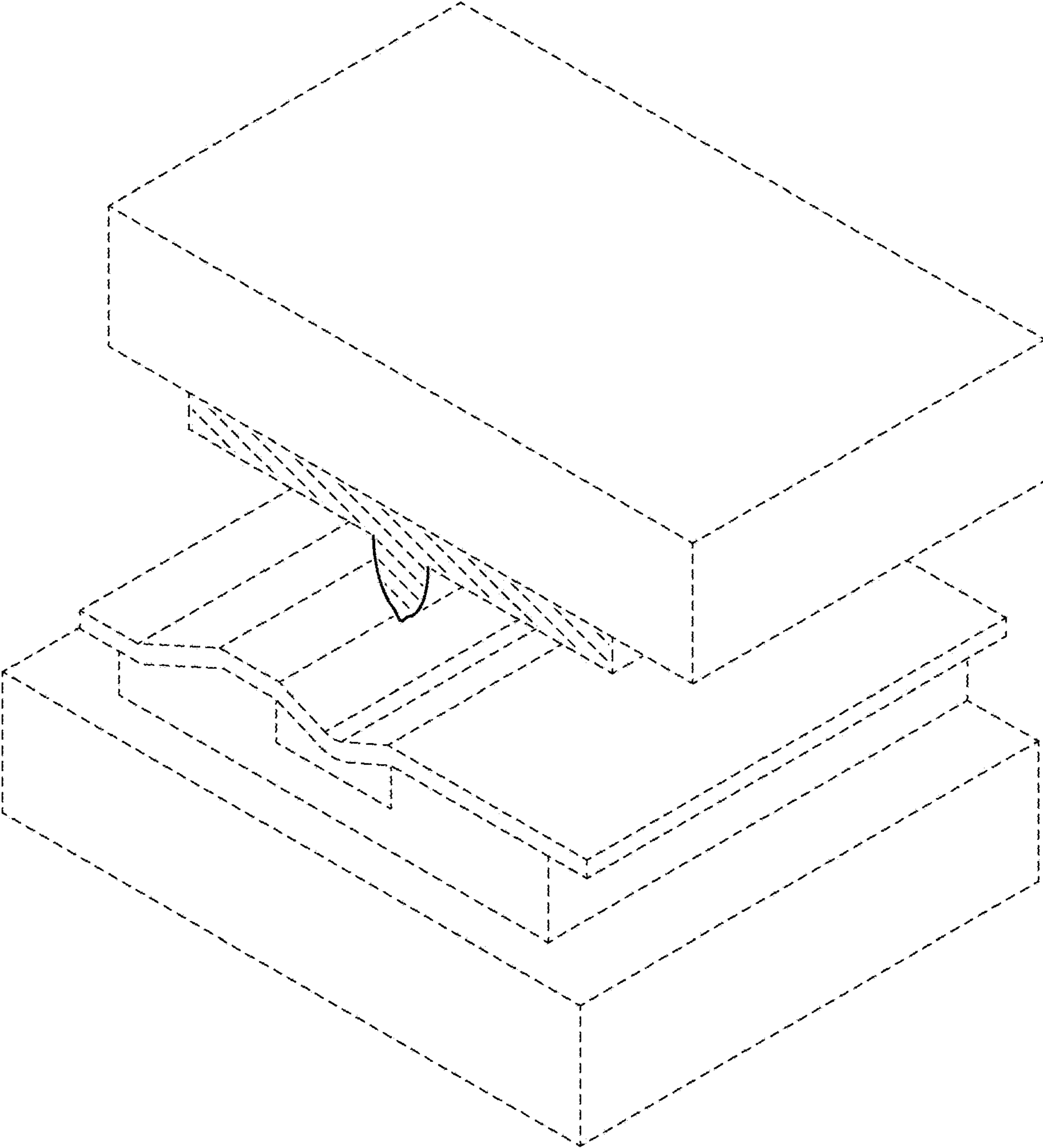


FIG. 4A

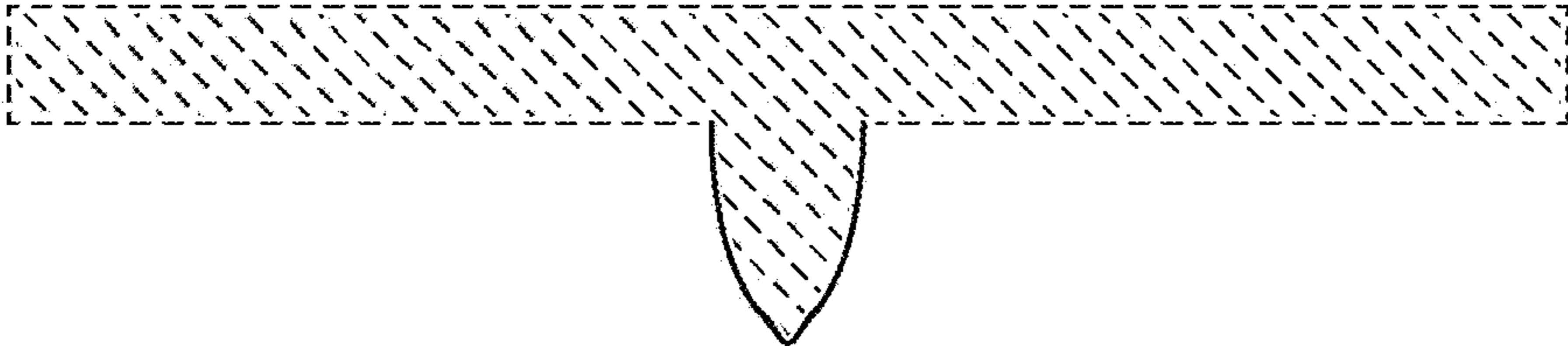


FIG. 5

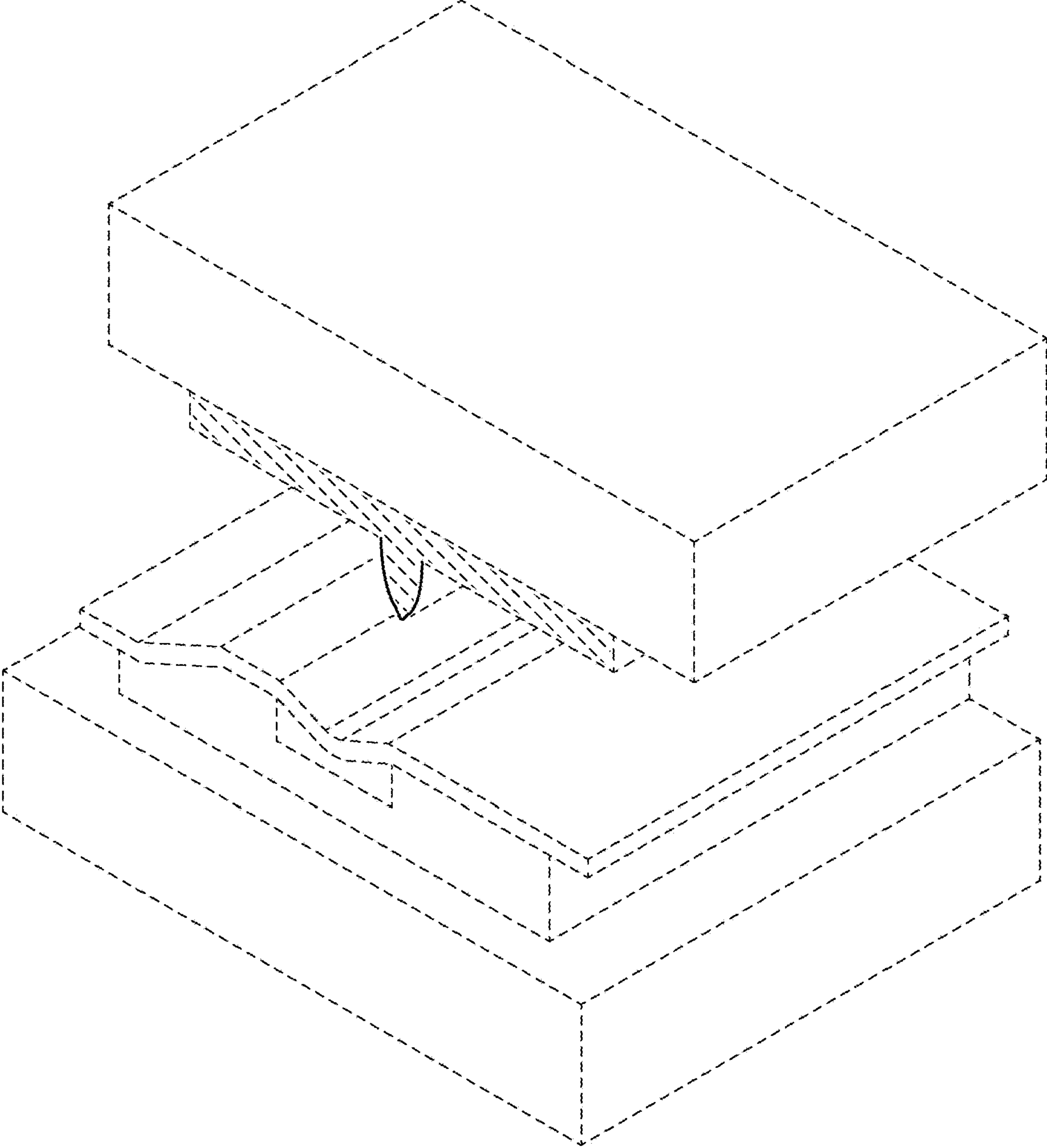


FIG. 5A

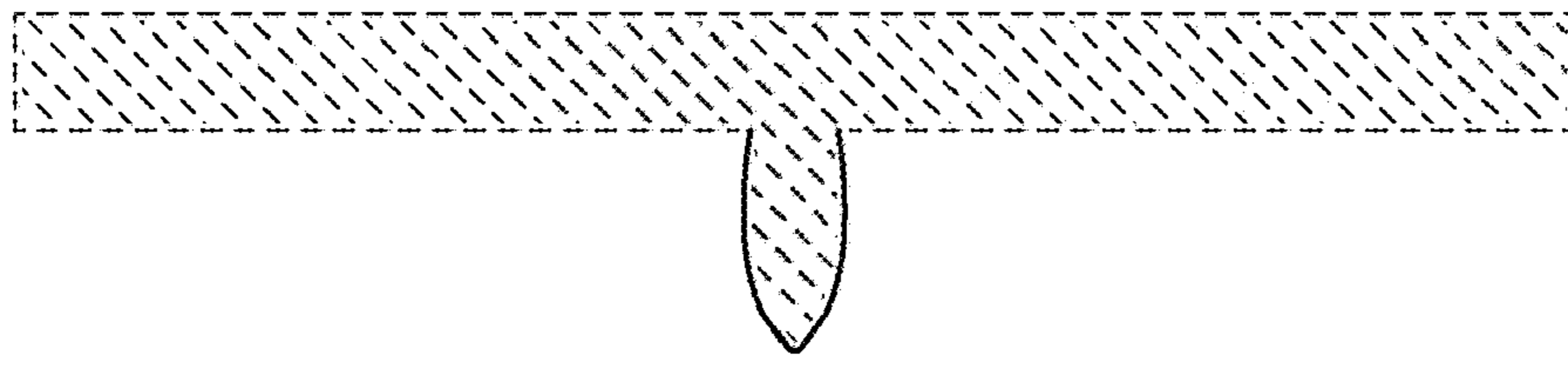


FIG. 6

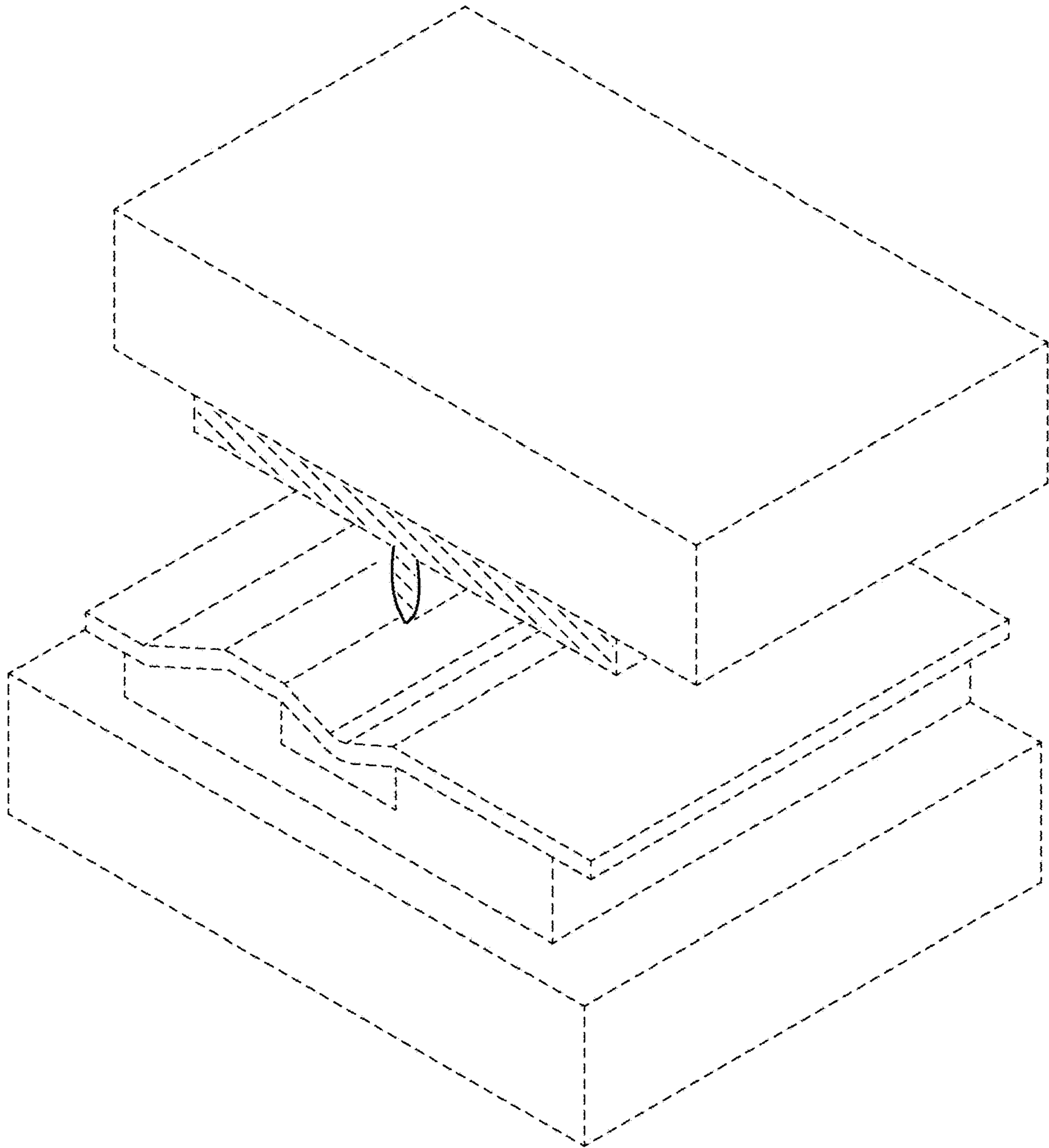


FIG. 6A