



US00D926833S

(12) **United States Design Patent** (10) **Patent No.:** **US D926,833 S**  
**Wilson et al.** (45) **Date of Patent:** **\*\* Aug. 3, 2021**

(54) **MULTIPLE SPINNER CAROUSEL FOR DRESSING A GRINDING WHEEL**

(56) **References Cited**

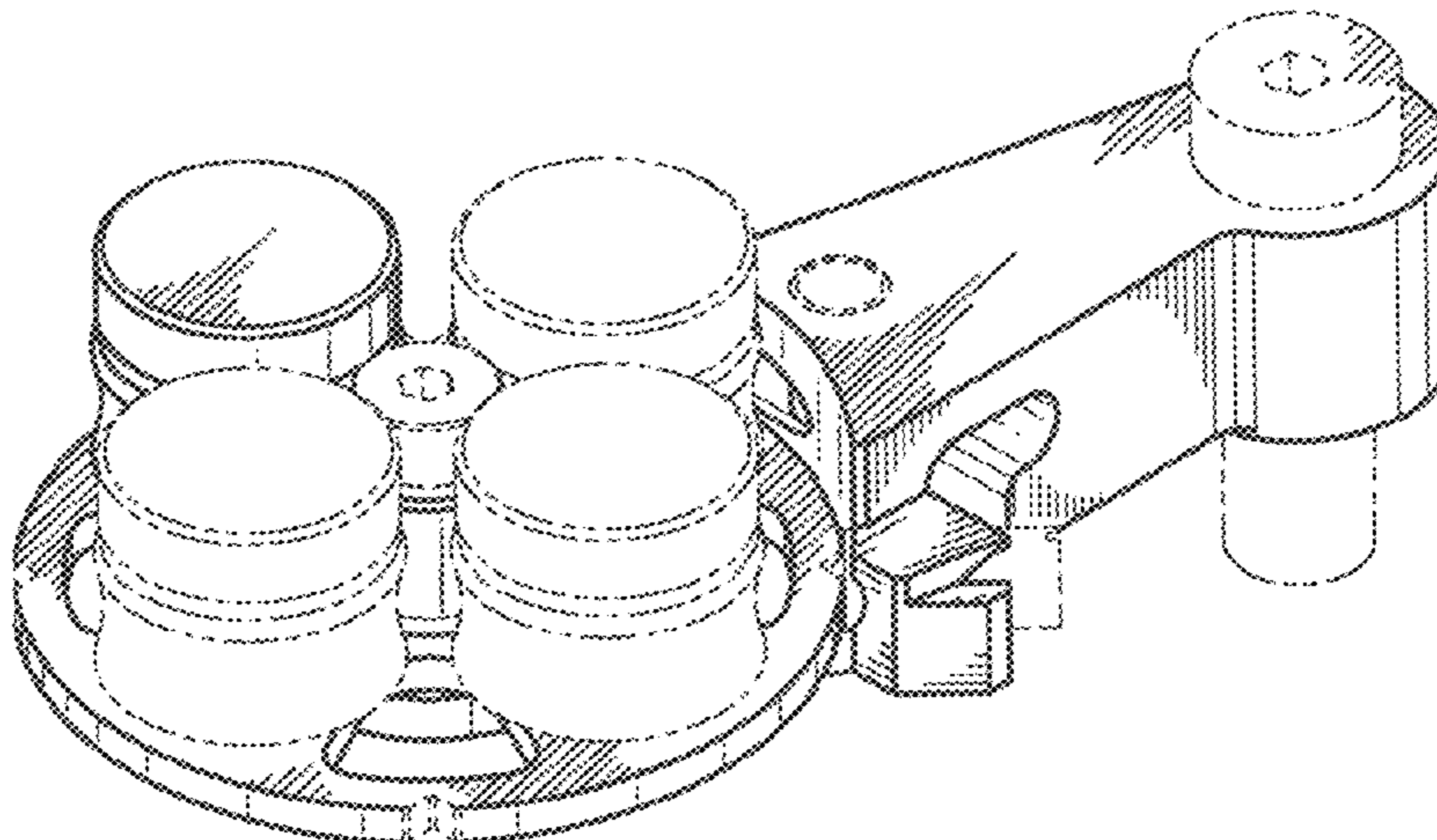
U.S. PATENT DOCUMENTS

- (71) Applicant: **1339513 Ontario Ltd.**, Harrow (CA)
- (72) Inventors: **Murray David Wilson**, Harrow (CA);  
**Steven David Wilson**, Harrow (CA);  
**Omer Leon Hageniers**, Windsor (CA)
- (73) Assignee: **1339513 ONTARIO LTD.**, Harrow (CA)
- (\*\*) Term: **15 Years**
- (21) Appl. No.: **29/756,111**
- (22) Filed: **Oct. 26, 2020**

|             |         |                  |
|-------------|---------|------------------|
| 60,431 A    | 12/1866 | Scott et al.     |
| 83,339 A    | 10/1868 | Thurston         |
| 750,696 A   | 1/1904  | Price            |
| 1,100,976 A | 6/1914  | Hille            |
| 1,181,831 A | 5/1916  | Browne           |
| 1,786,553 A | 12/1930 | Helmer           |
| 1,826,958 A | 10/1931 | John             |
| 2,055,665 A | 9/1936  | Moon             |
| 2,150,964 A | 3/1939  | Hugo             |
| 2,181,923 A | 12/1939 | Smolarek         |
| 2,229,374 A | 1/1941  | Devau            |
| 2,486,850 A | 11/1949 | Francis          |
| 2,904,342 A | 9/1959  | Jones et al.     |
| 3,271,906 A | 9/1966  | Esopi            |
| 3,517,659 A | 6/1970  | Stewart et al.   |
| 3,735,533 A | 5/1973  | Salberg          |
| 3,827,185 A | 8/1974  | Smith            |
| 4,055,026 A | 10/1977 | Zwicker          |
| 4,094,101 A | 6/1978  | Robinson         |
| 4,114,913 A | 9/1978  | Newell et al.    |
| 4,235,050 A | 11/1980 | Hannaford et al. |
| 4,271,635 A | 6/1981  | Szalay           |
| 4,294,043 A | 10/1981 | Sakcriska        |
| D264,984 S  | 6/1982  | Olivieri         |
| 4,392,658 A | 7/1983  | Redmond et al.   |
| 4,411,250 A | 10/1983 | Lach             |
| 4,534,134 A | 8/1985  | Consay et al.    |
| 4,535,571 A | 8/1985  | Smith            |
| 4,615,144 A | 10/1986 | Peacock et al.   |
| 4,722,152 A | 2/1988  | Ek et al.        |
| 4,756,125 A | 7/1988  | Kadnar           |
| 4,805,586 A | 2/1989  | Borse            |
| 4,907,813 A | 3/1990  | Hall             |
| 5,009,039 A | 4/1991  | Lager et al.     |
| 5,248,156 A | 9/1993  | Cann et al.      |
| 5,287,657 A | 2/1994  | Tschida et al.   |
| 5,332,242 A | 7/1994  | Cann et al.      |
| 5,348,079 A | 9/1994  | Tanaka           |
| 5,354,078 A | 10/1994 | Bellelsle        |
| 5,431,597 A | 7/1995  | Anderson         |
| 5,441,100 A | 8/1995  | Ueda et al.      |
| 5,445,050 A | 8/1995  | Owens            |
| 5,499,556 A | 3/1996  | Exner et al.     |
| 5,547,416 A | 8/1996  | Timms            |
| D373,399 S  | 9/1996  | Both             |
| D373,807 S  | 9/1996  | Swande           |
| 5,570,893 A | 11/1996 | Swande           |
| 5,591,069 A | 1/1997  | Wurthman         |
| 5,641,169 A | 6/1997  | Bekessy          |

**Related U.S. Application Data**

- (60) Continuation of application No. 29/661,723, filed on Aug. 30, 2018, now Pat. No. Des. 900,173, which is a continuation of application No. 29/557,907, filed on Mar. 14, 2016, now Pat. No. Des. 827,684, which is a continuation of application No. 29/486,521, filed on Mar. 31, 2014, now Pat. No. Des. 751,614, which is a division of application No. 29/453,378, filed on Apr. 29, 2013, now Pat. No. Des. 701,890, which is a continuation of application No. 29/428,491, filed on Jul. 31, 2012, now Pat. No. Des. 681,077, which is a continuation of application No. 29/388,322, filed on Mar. 28, 2011, now Pat. No. Des. 665,830.
- (51) **LOC (13) Cl.** ..... **15-09**
- (52) **U.S. Cl.**  
USPC ..... **D15/126**
- (58) **Field of Classification Search**  
USPC ..... D15/126, 138; 451/5, 7, 178, 541  
CPC .... A63C 1/30; A63C 1/32; A63C 3/10; B24B 3/003; B24B 53/12; B24D 5/08; B24D 18/0072  
See application file for complete search history.



|              |     |         |                  |         |
|--------------|-----|---------|------------------|---------|
| 5,704,829    | A   | 1/1998  | Long             |         |
| 5,725,419    | A   | 3/1998  | Osthoff et al.   |         |
| 5,769,434    | A   | 6/1998  | Wurthner         |         |
| D396,515     | S   | 7/1998  | Venier et al.    |         |
| 5,826,890    | A   | 10/1998 | Swande           |         |
| 5,975,197    | A   | 11/1999 | Kado             |         |
| 6,030,283    | A   | 2/2000  | Anderson         |         |
| 6,109,622    | A   | 8/2000  | Reynolds         |         |
| 6,113,474    | A   | 9/2000  | Shih et al.      |         |
| 6,116,989    | A   | 9/2000  | Balastik         |         |
| 6,203,028    | B1  | 3/2001  | Kress            |         |
| 6,234,532    | B1  | 5/2001  | Kollen           |         |
| 6,286,498    | B1  | 9/2001  | Sung             |         |
| 6,308,700    | B1  | 10/2001 | Lierse           |         |
| 6,318,738    | B1  | 11/2001 | Abkowitz et al.  |         |
| 6,368,198    | B1  | 4/2002  | Sung et al.      |         |
| 6,422,934    | B1  | 7/2002  | Blach et al.     |         |
| 6,443,819    | B2  | 9/2002  | Sakcriska        |         |
| 6,467,778    | B1  | 10/2002 | Goldsmith et al. |         |
| 6,481,113    | B1  | 11/2002 | Brenner et al.   |         |
| 6,619,674    | B2  | 9/2003  | Baldwin          |         |
| 6,620,523    | B2  | 9/2003  | Abkowitz et al.  |         |
| 6,695,322    | B2  | 2/2004  | Goldsmith et al. |         |
| D500,112     | S   | 12/2004 | Brumpton         |         |
| 6,830,251    | B2  | 12/2004 | Titzmann         |         |
| 6,953,390    | B2  | 10/2005 | Sakurai et al.   |         |
| D514,643     | S   | 2/2006  | Henderson        |         |
| 7,073,810    | B2  | 7/2006  | Wilson           |         |
| 7,234,709    | B2  | 6/2007  | Lambert          |         |
| D555,180     | S   | 11/2007 | Amamoto et al.   |         |
| 7,380,801    | B2  | 6/2008  | Rudolph          |         |
| 7,387,302    | B2  | 6/2008  | Goldsmith et al. |         |
| 7,559,828    | B2  | 7/2009  | Liao             |         |
| D603,432     | S   | 11/2009 | Wilson et al.    |         |
| 7,648,146    | B2  | 1/2010  | Tatomir          |         |
| 7,673,884    | B2  | 3/2010  | Wuerthner        |         |
| D626,978     | S   | 11/2010 | Huh              |         |
| D631,120     | S   | 1/2011  | Salmon           |         |
| 7,866,675    | B2  | 1/2011  | Hauser           |         |
| D637,676     | S   | 5/2011  | Wilson et al.    |         |
| 7,934,978    | B2  | 5/2011  | Wilson et al.    |         |
| 8,056,907    | B2  | 11/2011 | Wilson et al.    |         |
| D665,830     | S   | 8/2012  | Wilson et al.    |         |
| 8,277,284    | B2  | 10/2012 | Wilson et al.    |         |
| D681,077     | S   | 4/2013  | Wilson et al.    |         |
| D688,343     | S   | 8/2013  | Wilson et al.    |         |
| 8,574,030    | B2  | 11/2013 | Wilson et al.    |         |
| D701,890     | S   | 4/2014  | Wilson et al.    |         |
| 9,259,637    | B2  | 2/2016  | Wilson et al.    |         |
| D751,614     | S   | 3/2016  | Wilson et al.    |         |
| D827,684     | S   | 9/2018  | Wilson et al.    |         |
| D898,786     | S * | 10/2020 | Chae .....       | D15/140 |
| D900,173     | S * | 10/2020 | Wilson .....     | D15/126 |
| 2001/0052678 | A1  | 12/2001 | Titzmann         |         |
| 2002/0014041 | A1  | 2/2002  | Baldoni et al.   |         |
| 2003/0106270 | A1  | 6/2003  | Baldoni et al.   |         |
| 2003/0234499 | A1  | 12/2003 | Rudolph          |         |
| 2004/0157537 | A1  | 8/2004  | Tatum et al.     |         |
| 2005/0276979 | A1  | 12/2005 | Slutz et al.     |         |
| 2006/0040584 | A1  | 2/2006  | Ray et al.       |         |
| 2006/0183411 | A1  | 8/2006  | Moon             |         |
| 2007/0001426 | A1  | 1/2007  | Wade             |         |
| 2008/0051013 | A1  | 2/2008  | Burgess          |         |
| 2009/0206563 | A1  | 8/2009  | Ferras           |         |
| 2009/0273149 | A1  | 11/2009 | Wilson et al.    |         |
| 2010/0194062 | A1  | 8/2010  | Hauser           |         |
| 2010/0201088 | A1  | 8/2010  | Newman et al.    |         |

FOREIGN PATENT DOCUMENTS

|    |         |    |         |
|----|---------|----|---------|
| CA | 1179696 | A  | 12/1984 |
| CA | 2173001 |    | 7/1998  |
| CA | 2373449 | A1 | 11/2000 |
| WO | 0067949 |    | 11/2000 |

OTHER PUBLICATIONS

CA Office Action dated Dec. 13, 2011 for Canadian Application No. 2,630,749, filed May 6, 2008, entitled "Ice Skate Blade Sharpening Machine" to Hageniers et al., 3 pages.

CA Office Action dated Jun. 13, 2011 for Canadian Application No. 2,663,095, filed Apr. 16, 2009, entitled "Ice Skate Blades" to Wilson et al., 2 pages.

CA Office Action dated Jun. 8, 2011 for Canadian Application No. 2,630,749, filed May 6, 2008, entitled "Ice Skate Blade Sharpening Machine" to Hageniers et al., 3 pages.

Office Action dated Feb. 15, 2012 for U.S. Appl. No. 13/073,497, entitled "Ice Skate Blades and Sharpening Machines" to Wilson et al., 19 pages.

Office Action dated Mar. 25, 2011 for U.S. Appl. No. 12/402,838, filed Mar 12, 2009, entitled "Ice Skate Blades" to Wilson et al., 15 pages.

Office Action dated Mar. 5, 2013 for U.S. Appl. No. 13/600,348, filed Aug. 31, 2012, entitled "Method of Making an Ice Skate Blade" to Wilson et al., 9 pages.

Office Action dated Nov. 26, 2010 for U.S. Appl. No. 12/402,838, filed Mar. 12, 2009, entitled "Ice Skate Blades" to Wilson et al., 20 pages.

Office Action dated Nov. 9, 2010 for U.S. Appl. No. 12/114,191, filed May 2, 2008, entitled "Ice Skate Blade Sharpening Machine" to Wilson et al., 9 pages.

Office Action dated Oct. 6, 2010 for U.S. Appl. No. 12/114,191, filed May 2, 2008, entitled "Ice Skate Blade Sharpening Machine" to Wilson et al., 20 pages.

Printout purporting to be a portion of Abrasive Technology, Manufacturer of Diamond & CBN Tooling: Resin & Metal Bonded Product Line and including a copyright notice date of 2004 on the final page, 11 pages.

Printout purporting to be a portion of Norton Stock Catalog 2005-2006 Diamond Tools and bearing no date, 16 pages.

Printout purporting to be a webpage of Norton Abrasives from 2006 and bearing a date of Jul. 29, 2011, 1 page.

Submission of Prior Art Under Provisions of Section 34 for Canadian Application No. 2,630,749 dated Jul. 29, 2011, 141 pages including 6 Exhibits.

\* cited by examiner

Primary Examiner — Patricia A Palasik  
(74) Attorney, Agent, or Firm — RMCK Law Group, PLC

(57) CLAIM

The ornamental design for a multiple spinner carousel for dressing a grinding wheel, as shown and described.

DESCRIPTION

FIG. 1 is a perspective view of a multiple spinner carousel in accordance with an aspect of the present teachings.

FIG. 2 is an opposite view of FIG. 1.

FIG. 3 is a partial exploded assembly view showing rotatable spinners spaced from the multiple spinner carousel of FIG. 1.

FIG. 4 is an opposite view of FIG. 3.

FIG. 5 is another perspective view of the multiple spinner carousel of FIG. 1.

FIG. 6 is a further perspective view of the multiple spinner carousel of FIG. 1.

FIG. 7 is a top view of the multiple spinner carousel of FIG. 1.

FIG. 8 is a bottom view of the multiple spinner carousel of FIG. 1.

FIG. 9 is a front view of the multiple spinner carousel of FIG. 1.

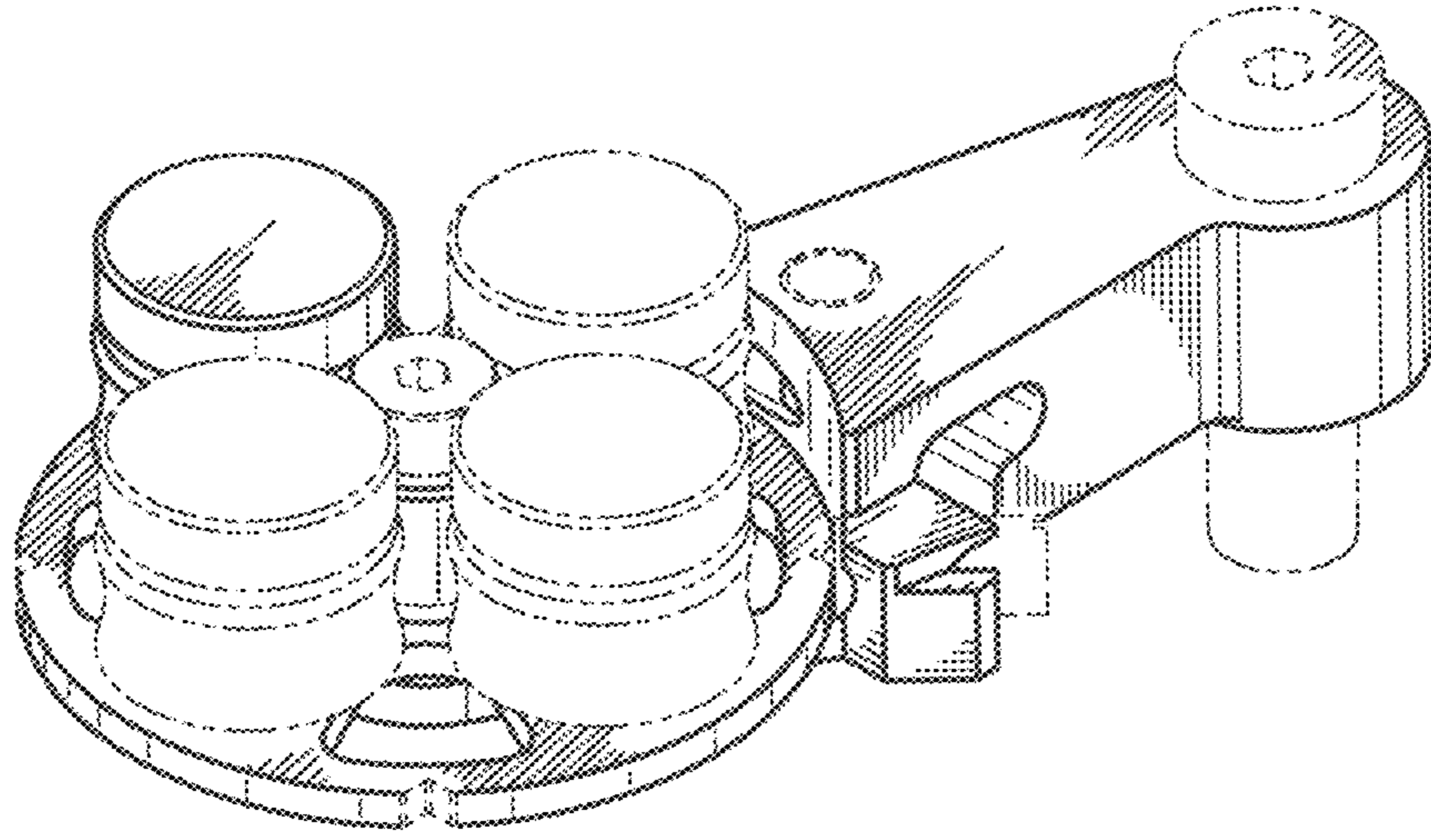
FIG. 10 is a rear view of the multiple spinner carousel of FIG. 1.

FIG. 11 is a side view of the multiple spinner carousel of FIG. 1.

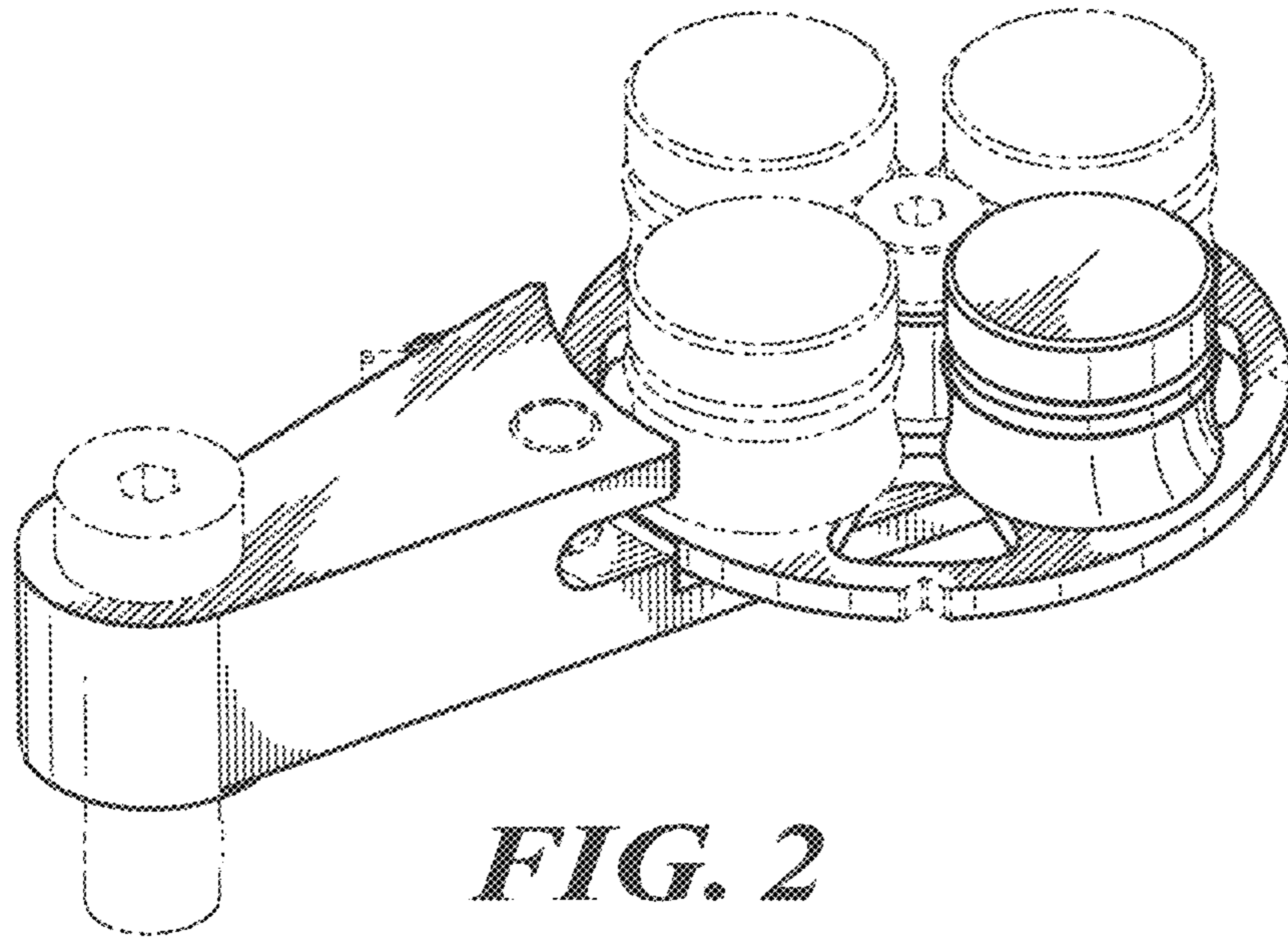
FIG. 12 is an opposite view of FIG. 10; and,

FIG. 13 is a perspective view of the multiple spinner carousel of FIG. 1 attached to a grinding machine adjacent a grinding wheel in accordance with the present teachings. The broken line showing of portions of a multiple spinner carousel for dressing a grinding wheel is included for the purpose of illustrating environmental structure and forms no part of the claimed design.

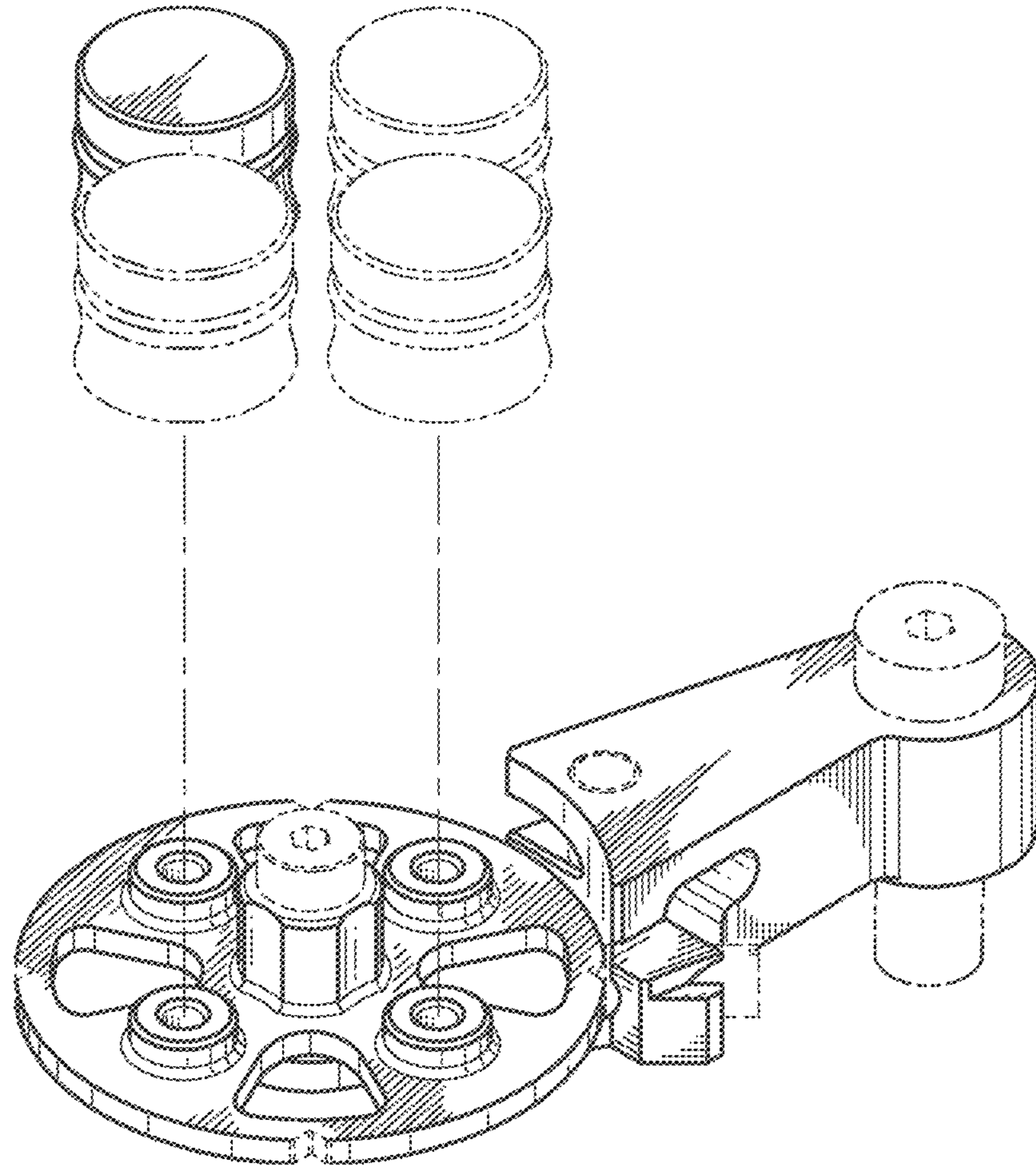
**1 Claim, 8 Drawing Sheets**



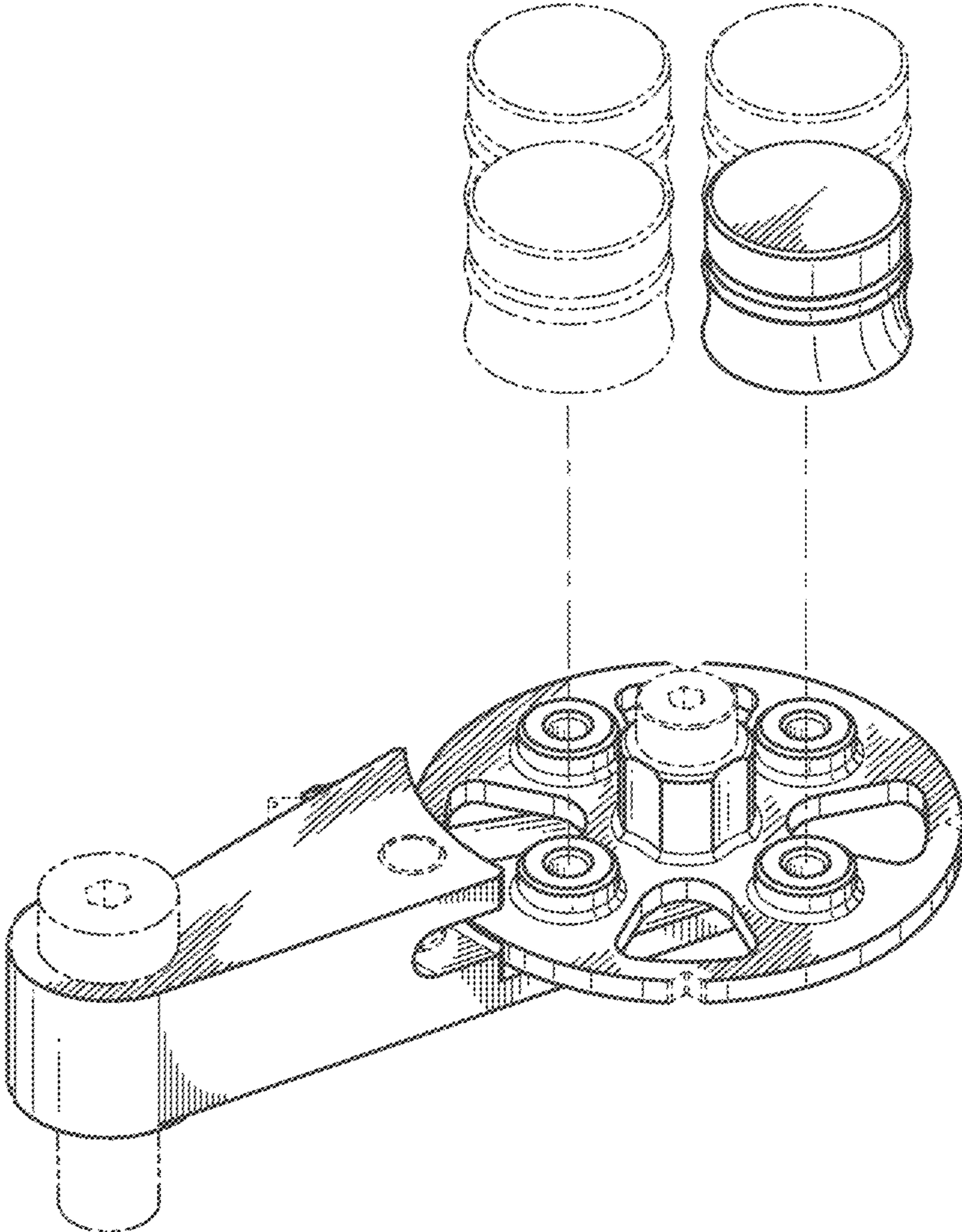
**FIG. 1**



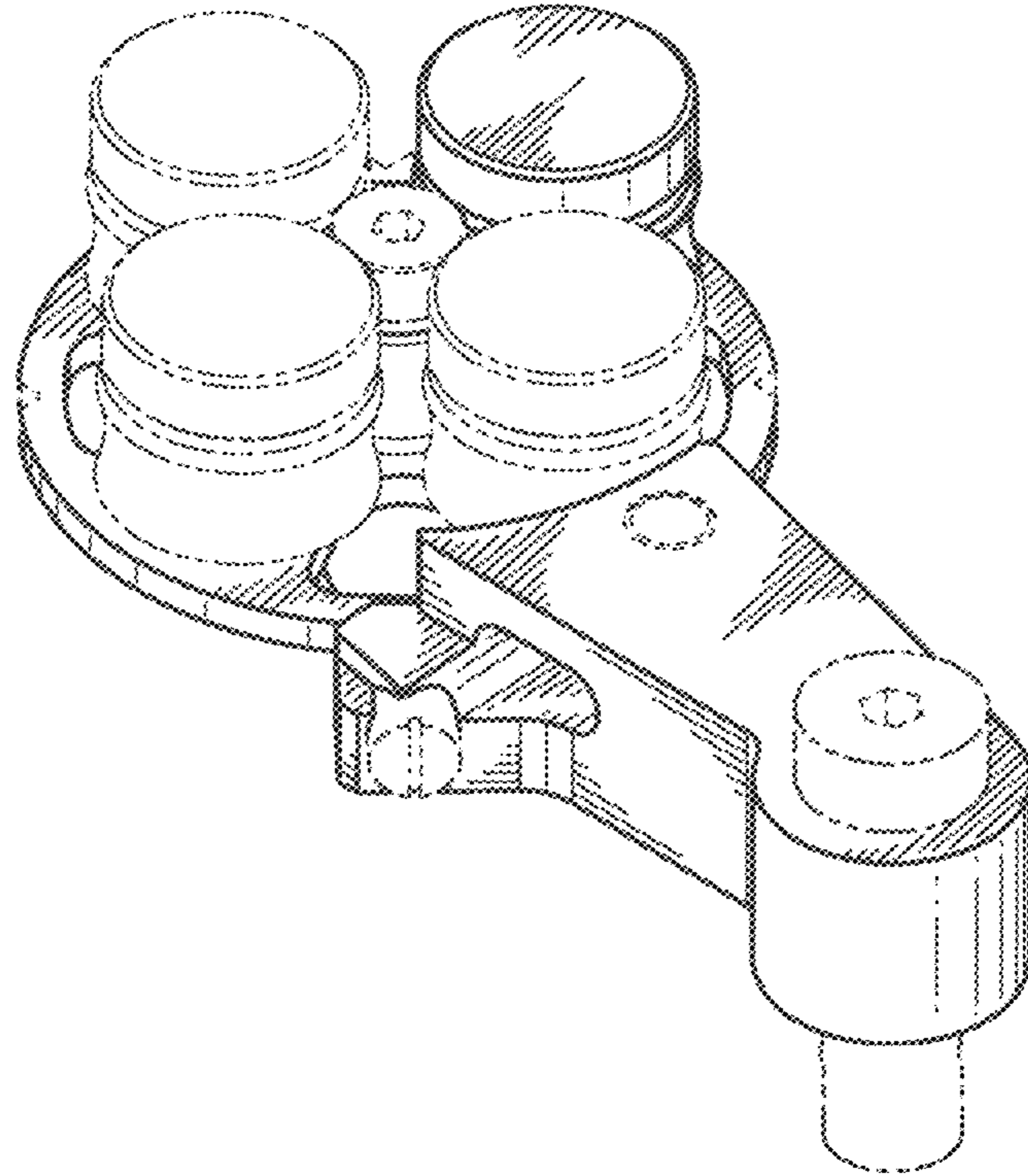
**FIG. 2**



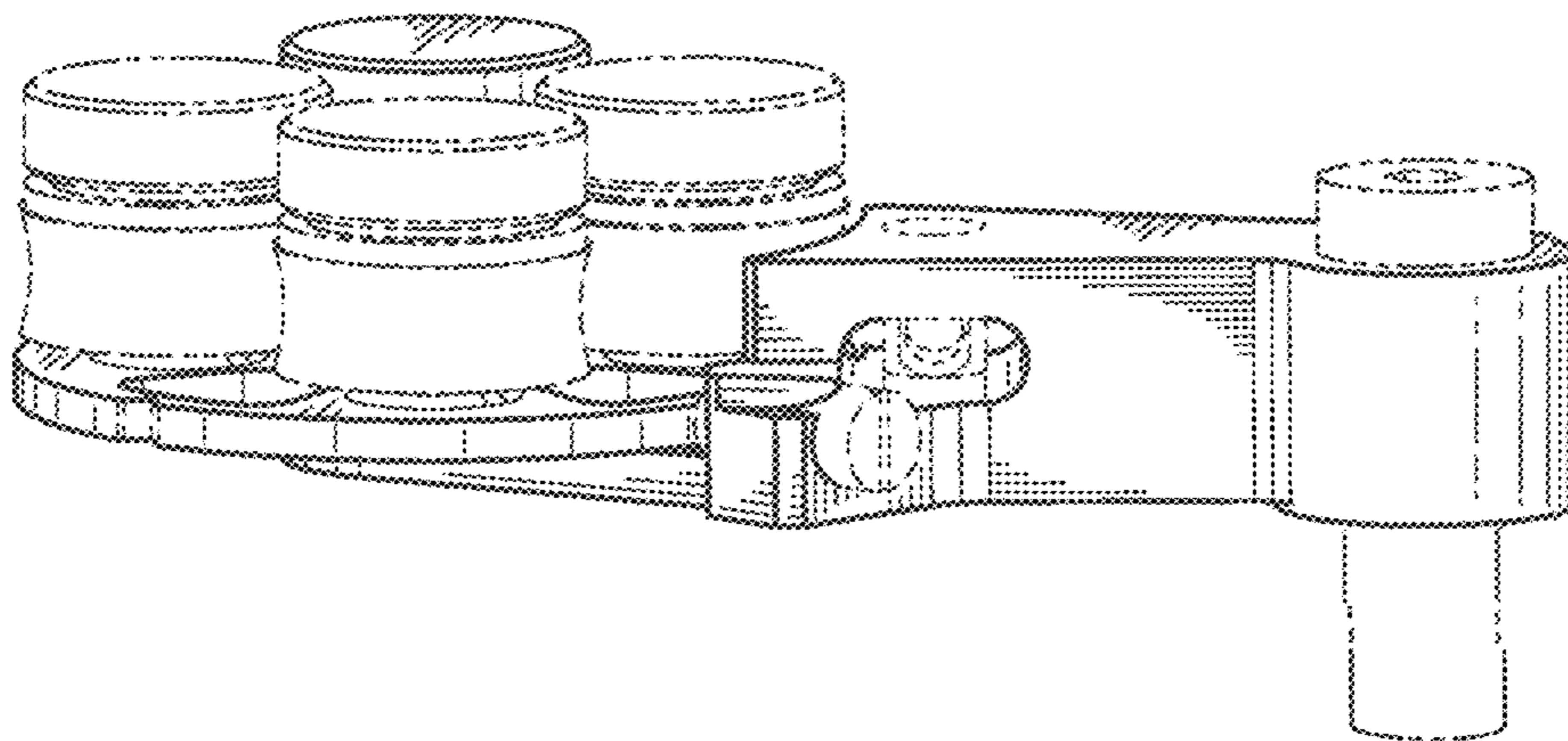
**FIG. 3**



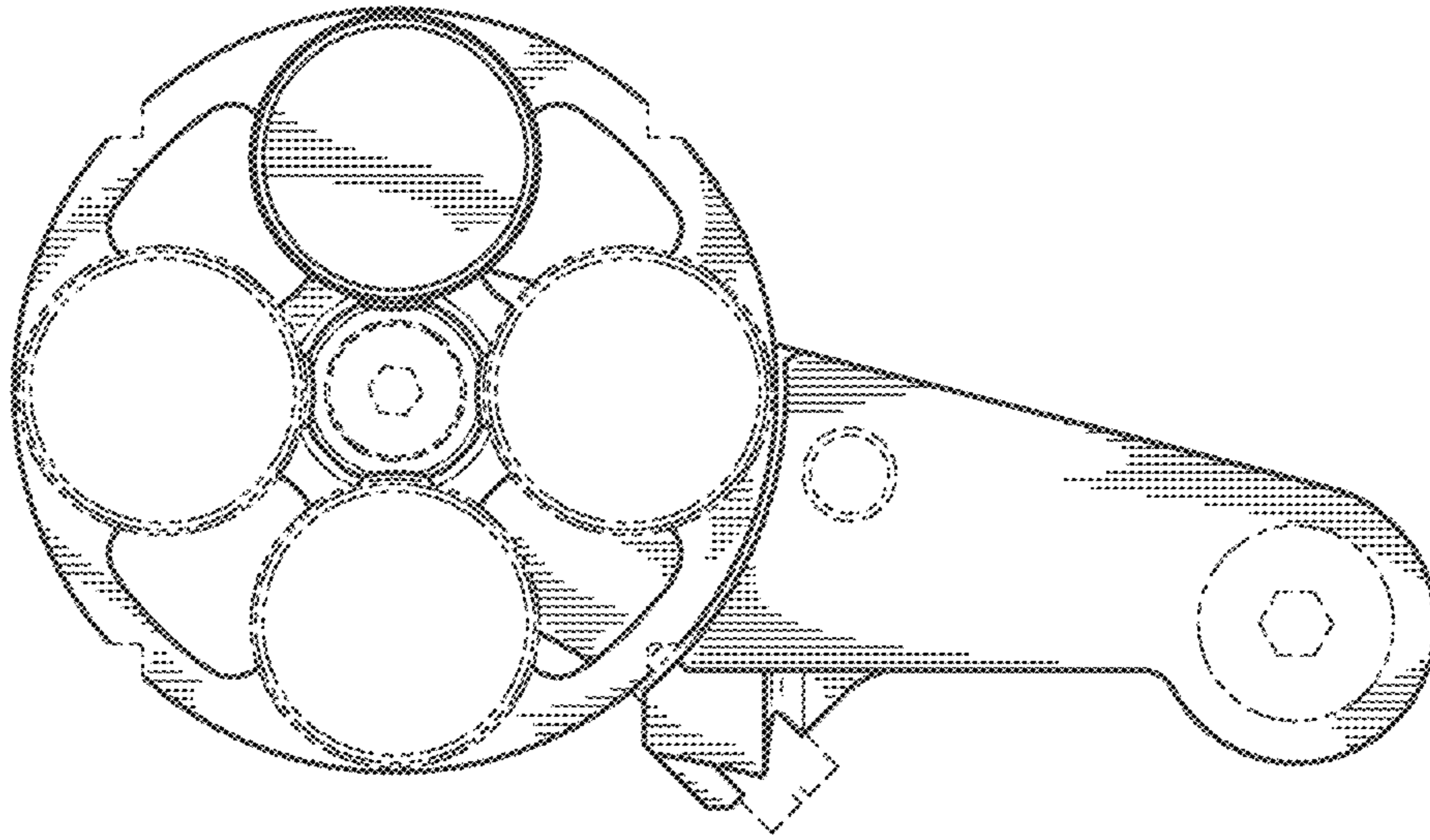
**FIG. 4**



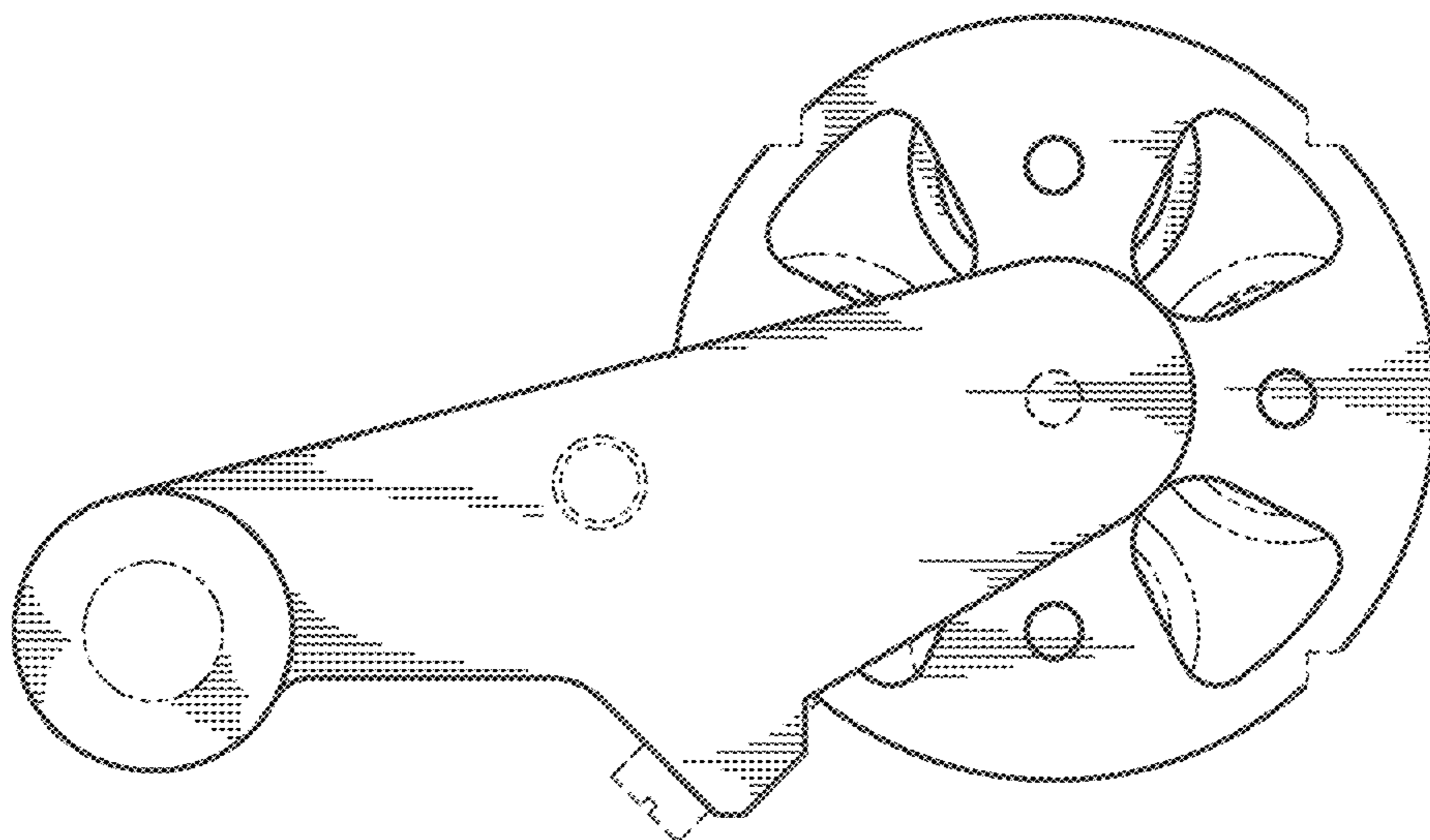
**FIG. 5**



**FIG. 6**

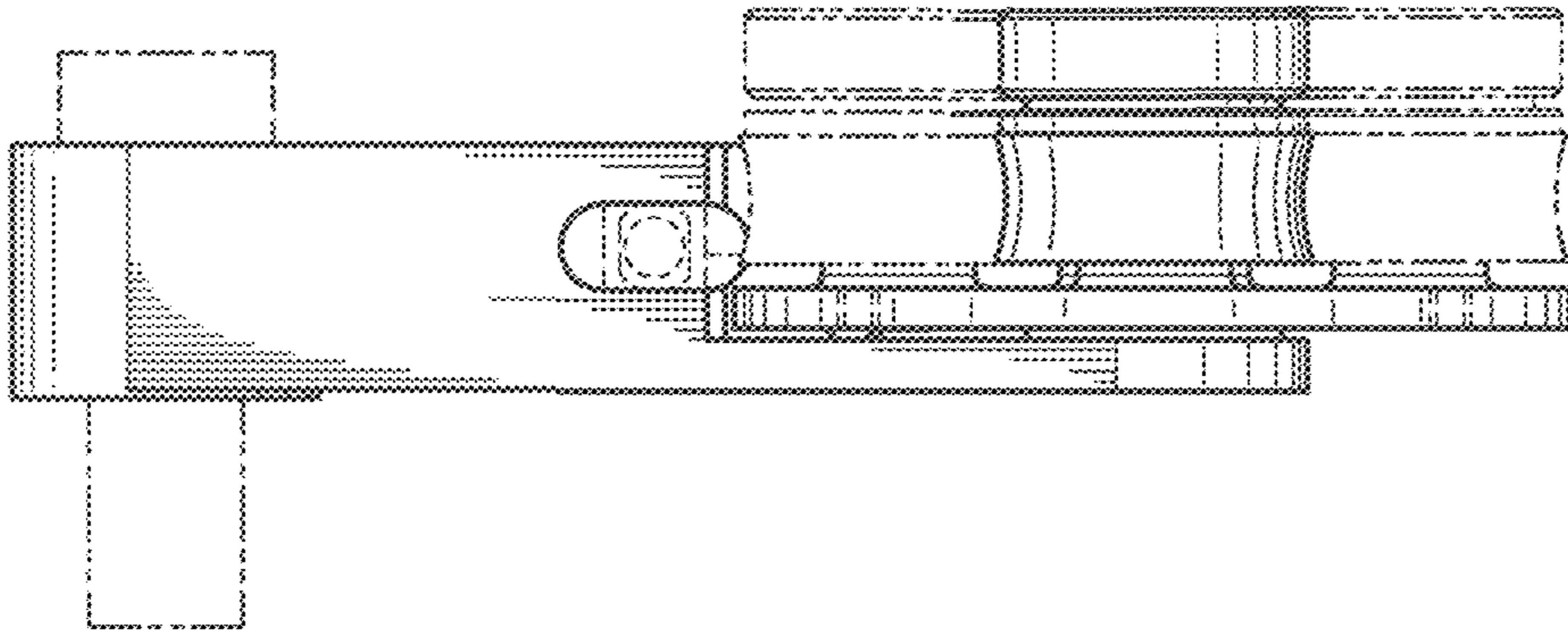


**FIG. 7**

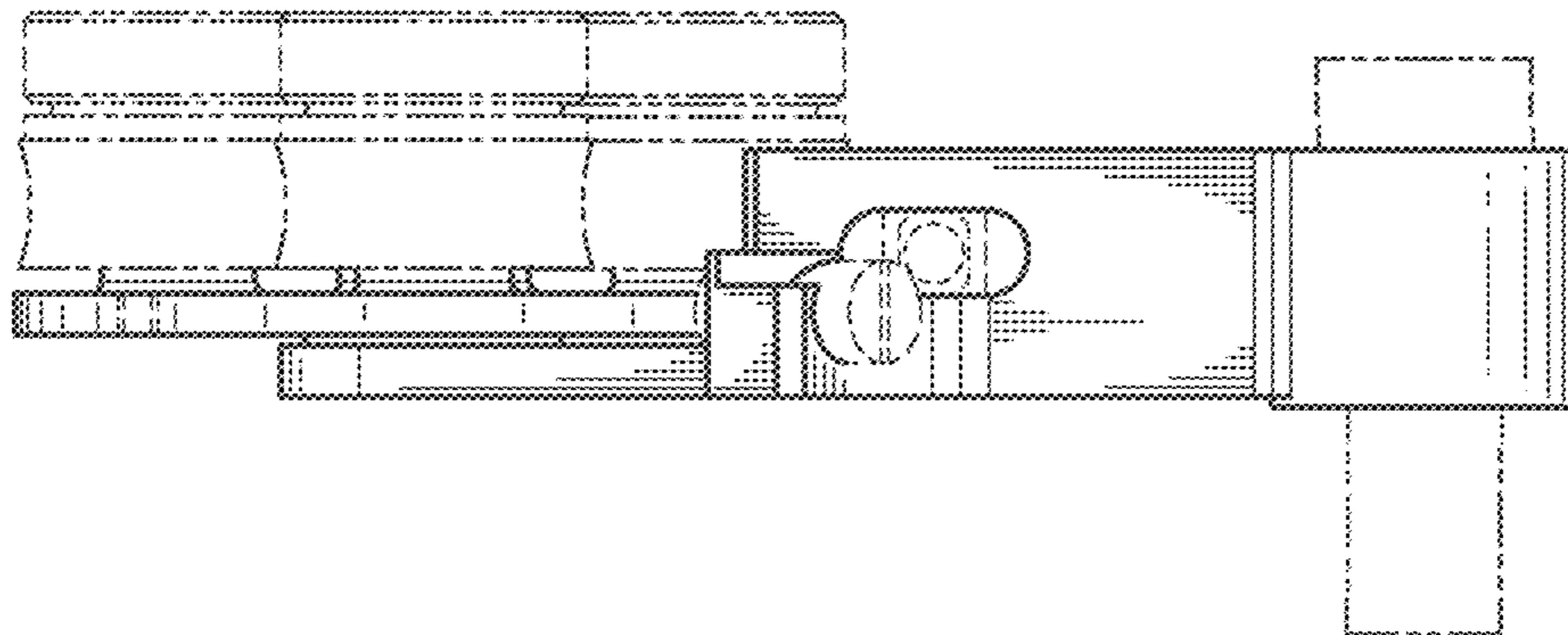


**FIG. 8**

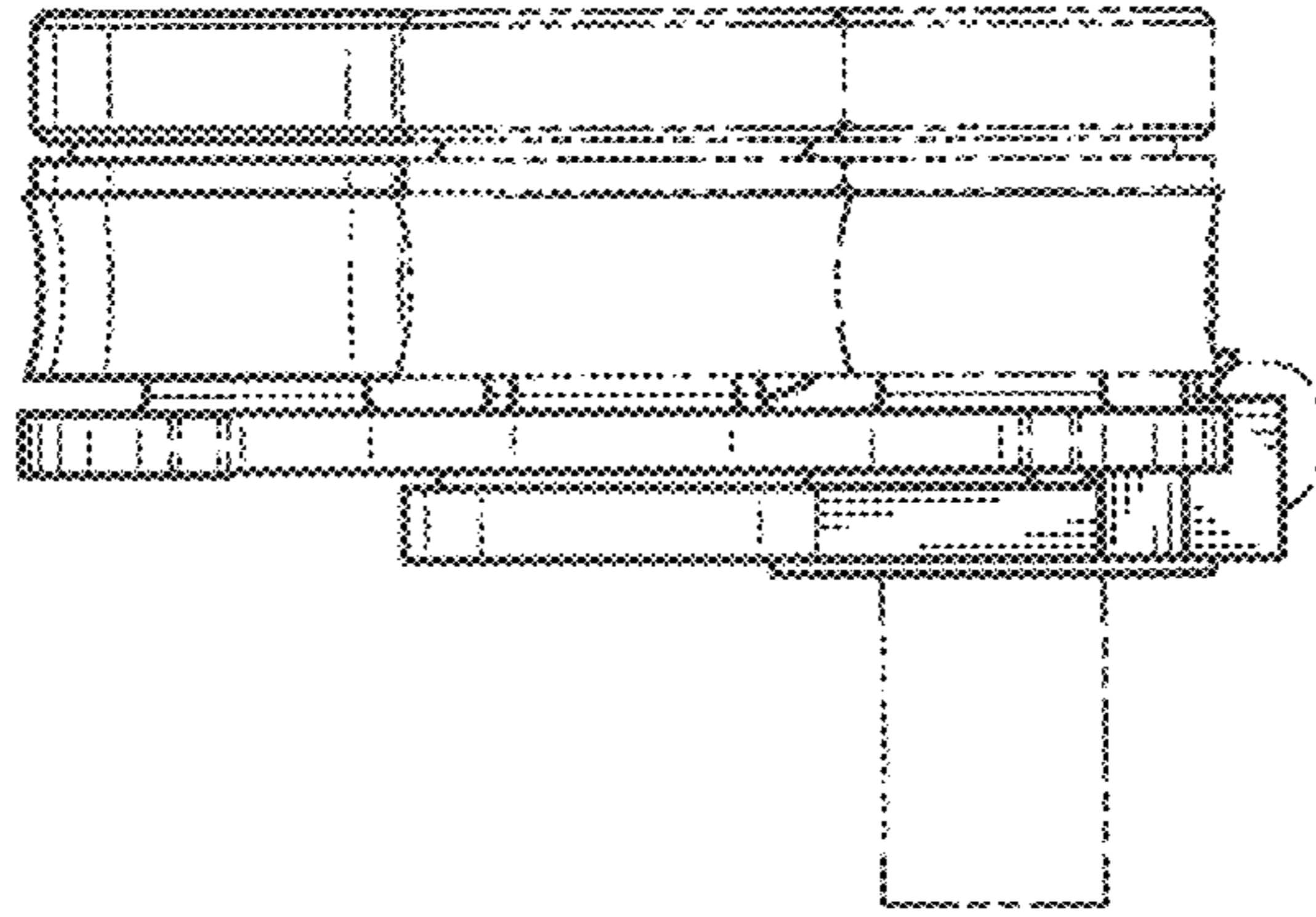




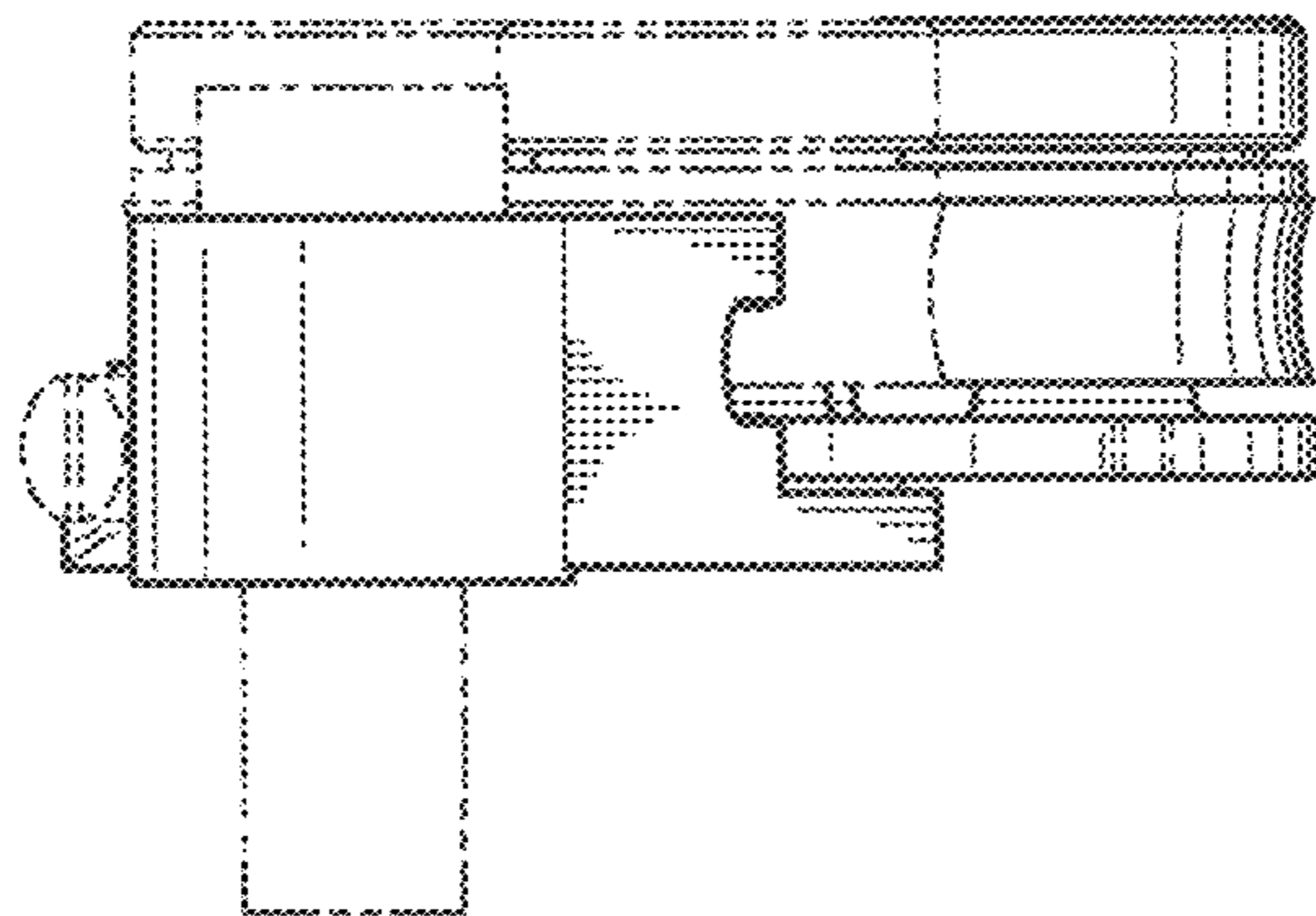
***FIG. 9***



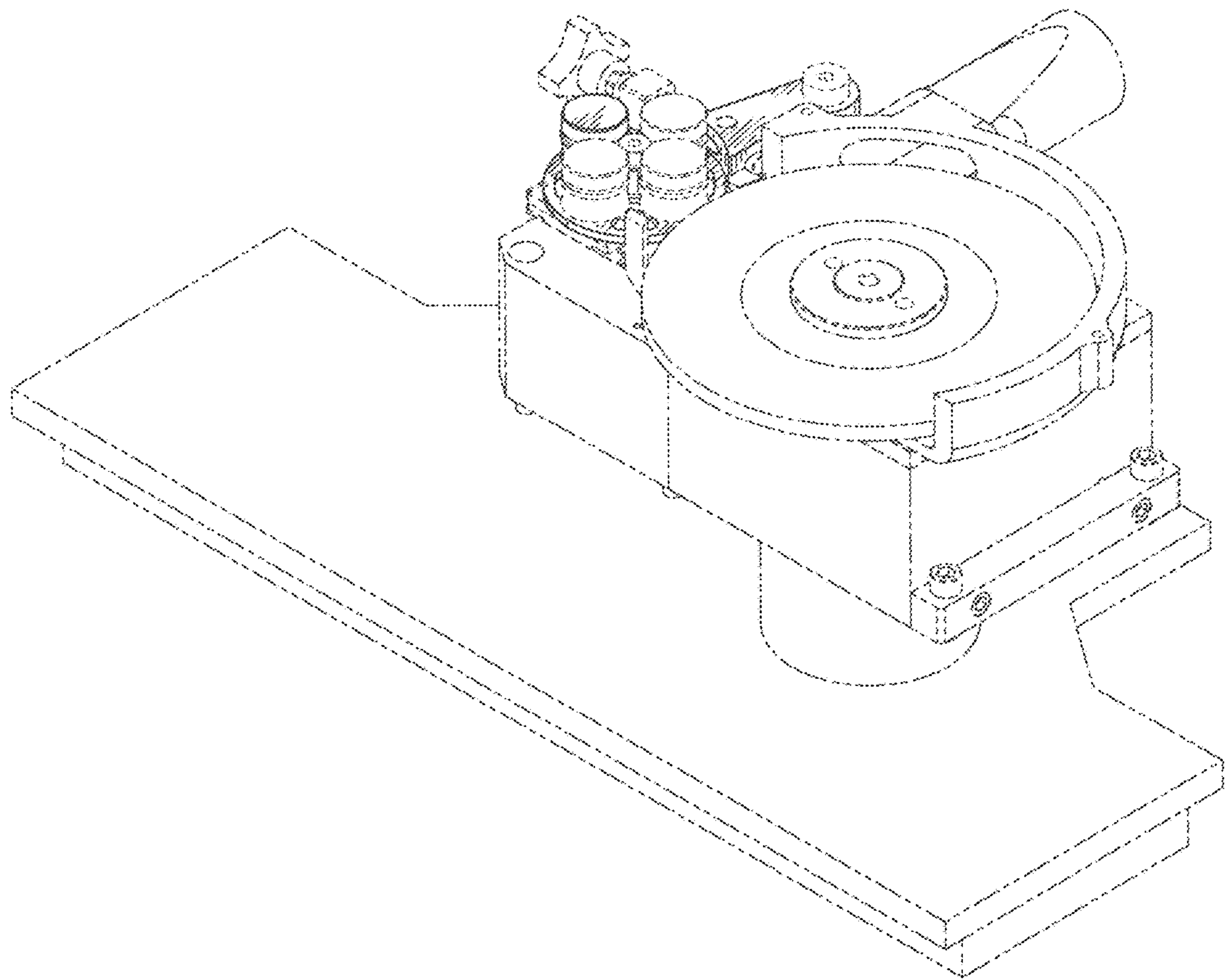
***FIG. 10***



***FIG. 11***



***FIG. 12***



***FIG. 13***