



US00D926830S

(12) **United States Design Patent** (10) **Patent No.:** **US D926,830 S**
Jonas (45) **Date of Patent:** **** Aug. 3, 2021**

(54) **GRATE FOR INSIDE ROTO MOLDED COOLER**

(71) Applicant: **Bryan Jonas**, New Braunfels, TX (US)

(72) Inventor: **Bryan Jonas**, New Braunfels, TX (US)

(**) Term: **15 Years**

(21) Appl. No.: **29/668,688**

(22) Filed: **Nov. 1, 2018**

(51) **LOC (13) Cl.** **15-07**

(52) **U.S. Cl.**
USPC **D15/89**

(58) **Field of Classification Search**
USPC D15/79-91; D7/409, 332-337, 402-411,
D7/339-349; D23/397, 259-265;
D8/349, 354
CPC .. F25D 11/00; F25D 17/065; F25D 2325/022;
F25D 23/069; F25D 25/025; F25D 11/02;
F25D 17/062; F25D 21/12; F25D 21/125;
F25D 21/14; F25D 2317/061; F25D
2317/067; F25D 2323/021; F25D
2323/024; F25D 23/028; F25D 23/04;
F25D 23/066; F25D 23/085; F25D
23/087; F25D 23/126; F25D 2400/02;
F25D 2400/06; F25D 2400/361; F25D
2400/40; F25D 25/005; F25D 25/02;
F25D 2600/02; F25D 2700/02; F25D
2700/12; F25D 2700/121; F25D 2700/14;
F25D 29/00

See application file for complete search history.

(56) **References Cited**

U.S. PATENT DOCUMENTS

- 2,267,486 A * 12/1941 West F25D 17/042
215/386
- 4,478,337 A * 10/1984 Flum A47F 1/12
206/564
- D378,821 S * 4/1997 Westcott D15/89
- D380,762 S * 7/1997 Sammut D15/89

- D416,997 S * 11/1999 Prouty D23/397
- D568,912 S * 5/2008 Shin D15/89
- D694,863 S * 12/2013 Brodey D23/261
- D736,353 S * 8/2015 Lucas D23/261
- D793,162 S * 8/2017 Hamlin D7/409
- D800,800 S * 10/2017 Park D15/89

(Continued)

Primary Examiner — Khawaja Anwar

(74) *Attorney, Agent, or Firm* — Robert L. McRae; Gunn, Lee & Cave, P.C.

(57) **CLAIM**

An ornamental design for a grate for inside roto molded cooler, as shown and described.

DESCRIPTION

This is a continuation-in-part application claiming priority to U.S. patent application Ser. No. 29/600,575 filed Apr. 13, 2017, which is incorporated herein by reference.

FIG. 1 is a bottom perspective view of the grate for inside roto molded cooler, showing the first embodiment of my new design;

FIG. 2 is a top plan view thereof;

FIG. 3 is the left side elevation view thereof;

FIG. 4 is an end view thereof;

FIG. 5 is right side elevation view thereof;

FIG. 6 is a bottom plan view thereof;

FIG. 7 is another end view thereof;

FIG. 8 is a bottom perspective view of the grate for inside roto molded cooler, showing the 2nd embodiment of my new design;

FIG. 9 is a top plan view thereof;

FIG. 10 is a left side elevation view thereof;

FIG. 11 is an end view thereof;

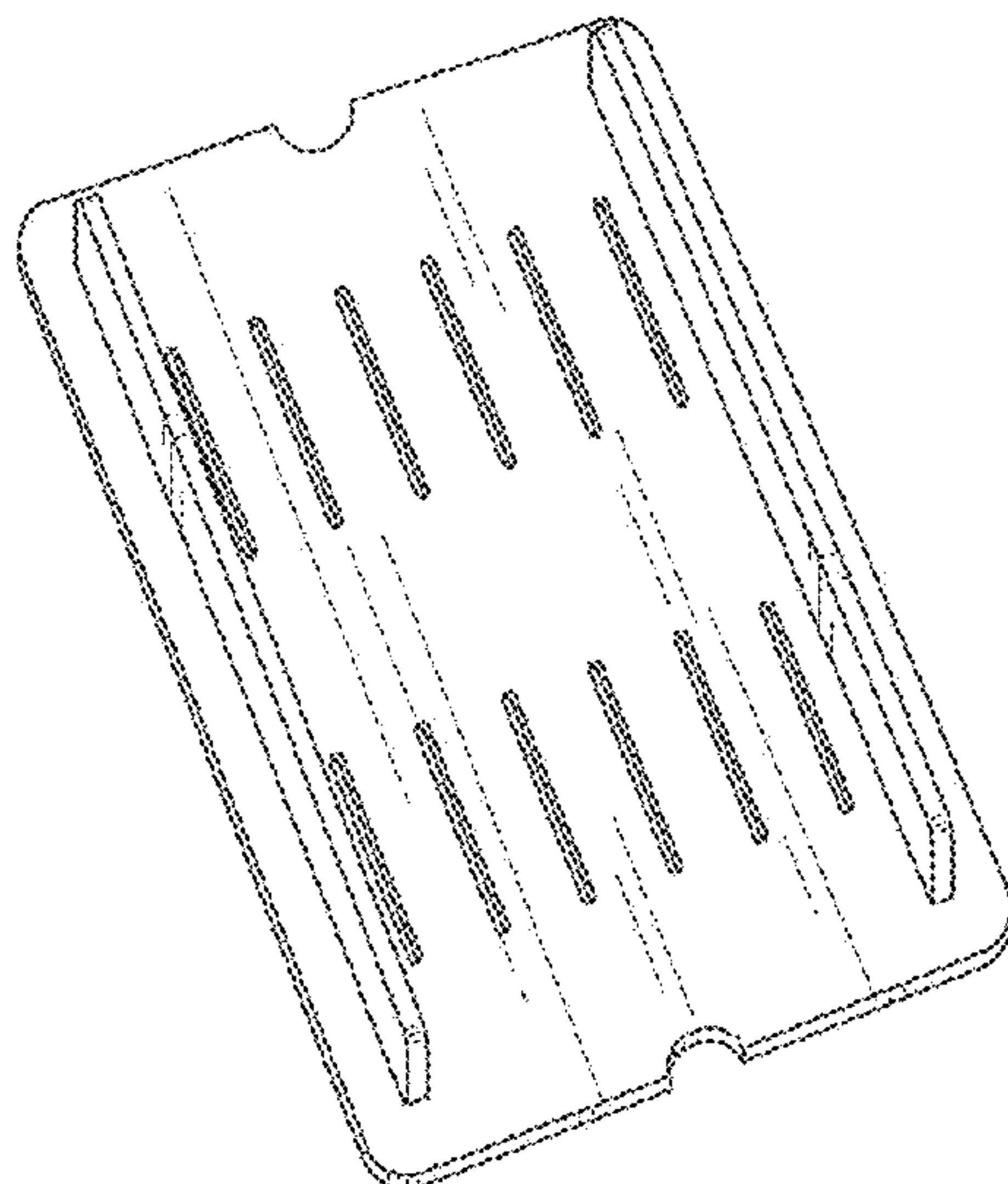
FIG. 12 is a right side elevation view thereof;

FIG. 13 is a bottom plan view thereof; and,

FIG. 14 is another end view thereof.

The dash lines shown FIG. 2 and FIG. 9 not regarded as part of the invention, and the appended claim should not be construed to contain such limitations.

1 Claim, 6 Drawing Sheets



(56)

References Cited

U.S. PATENT DOCUMENTS

D800,801 S * 10/2017 Park D15/89
2007/0012069 A1 * 1/2007 Girard F25D 3/08
62/459

* cited by examiner

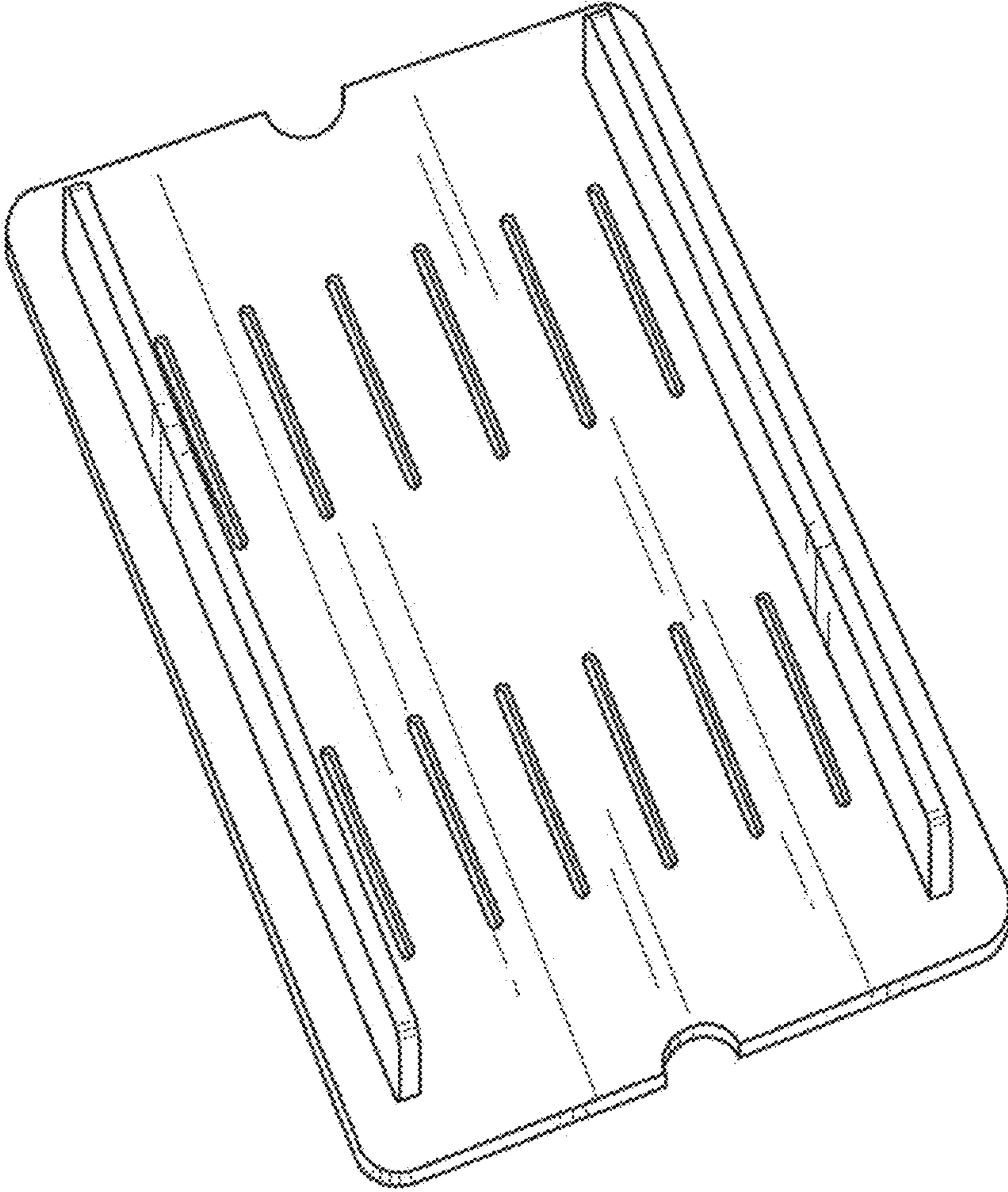


FIG. 1

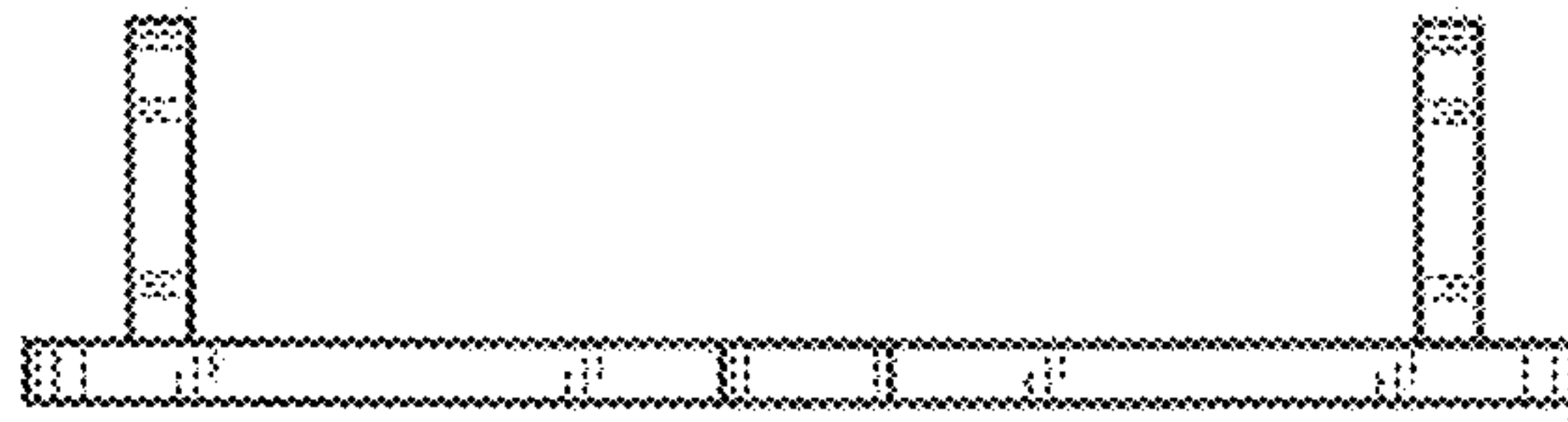


FIG. 4

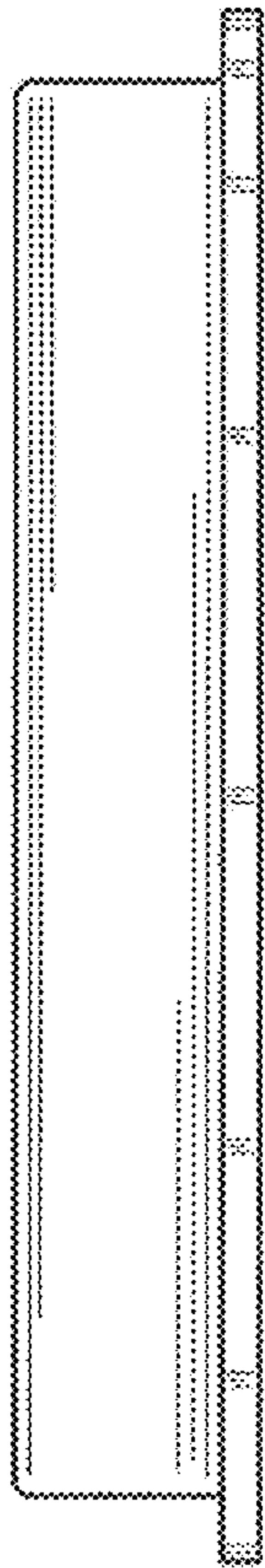


FIG. 3

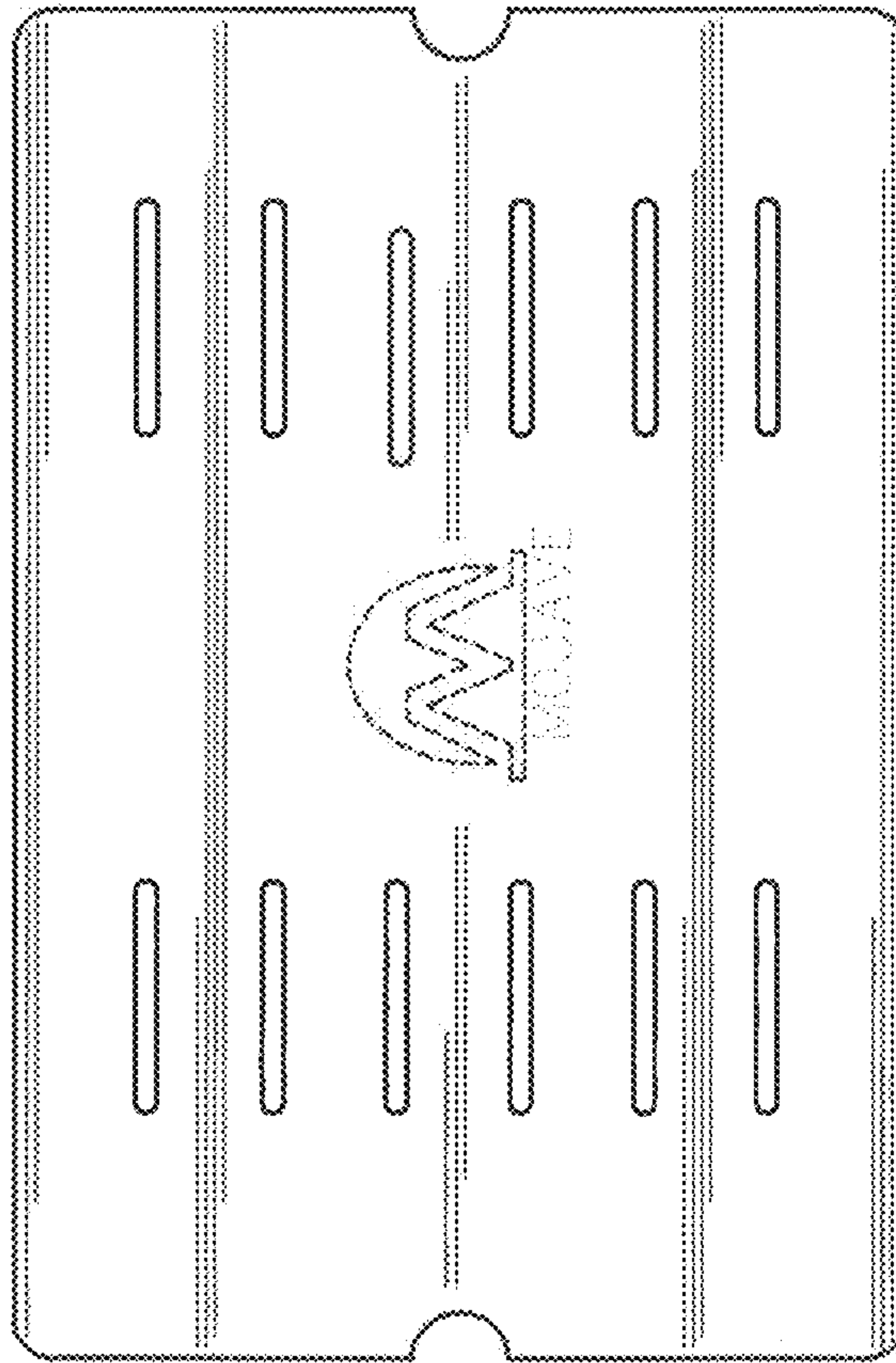


FIG. 2

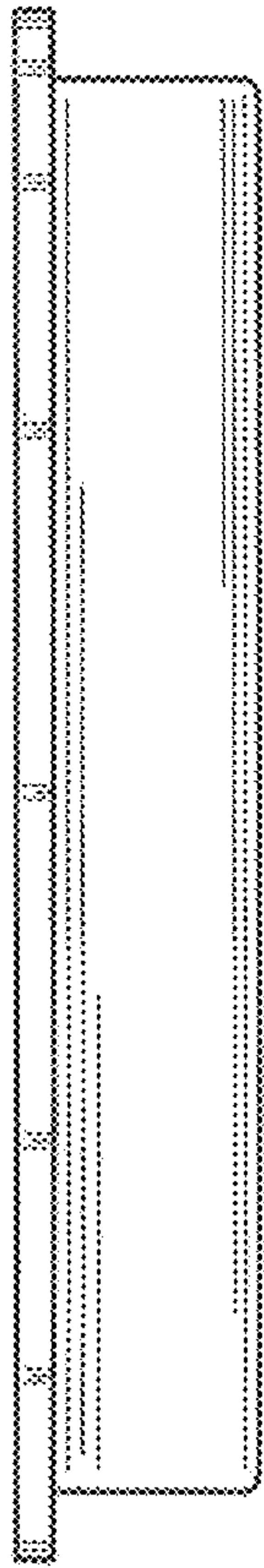


FIG. 5

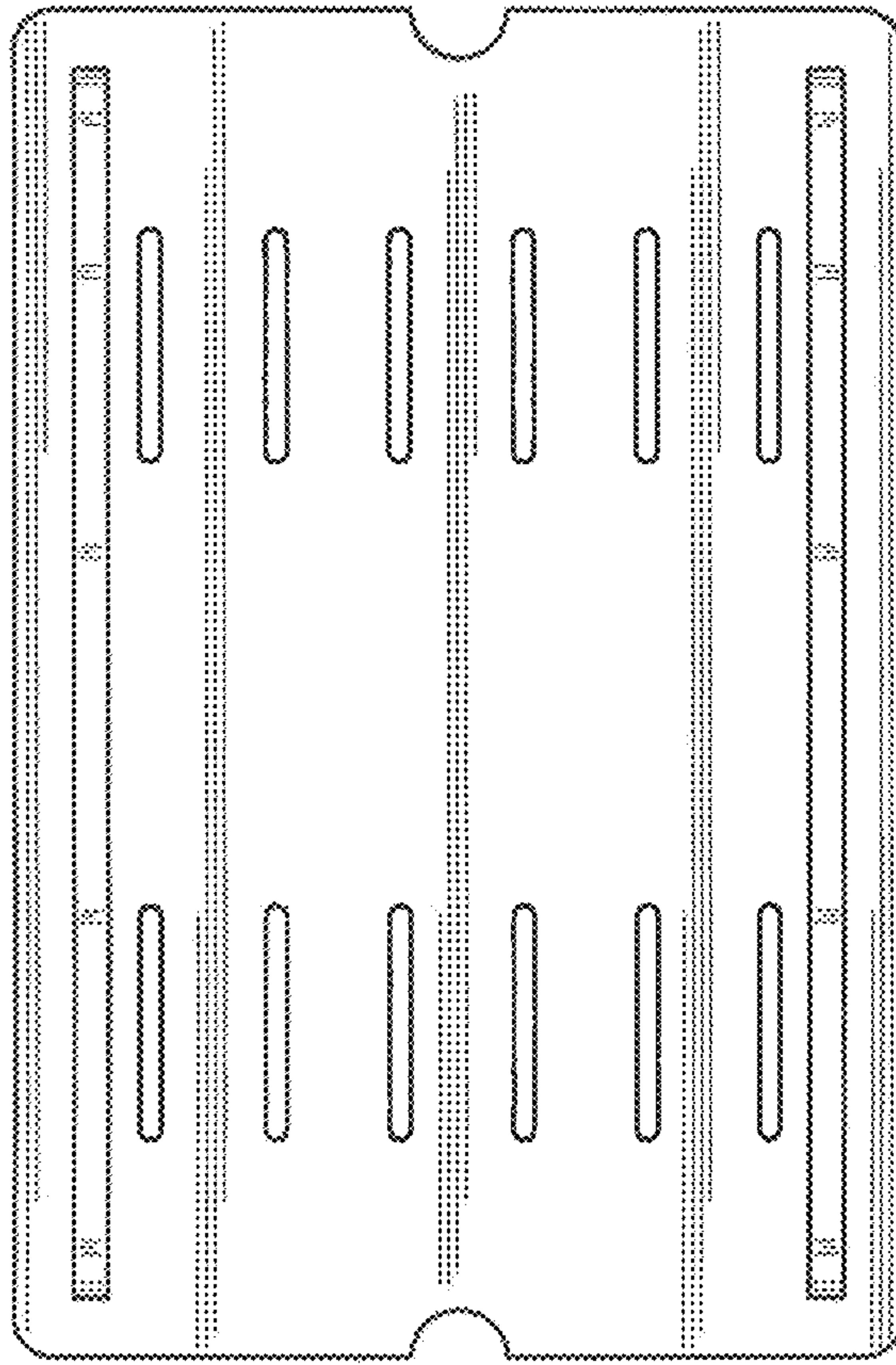


FIG. 6



FIG. 7

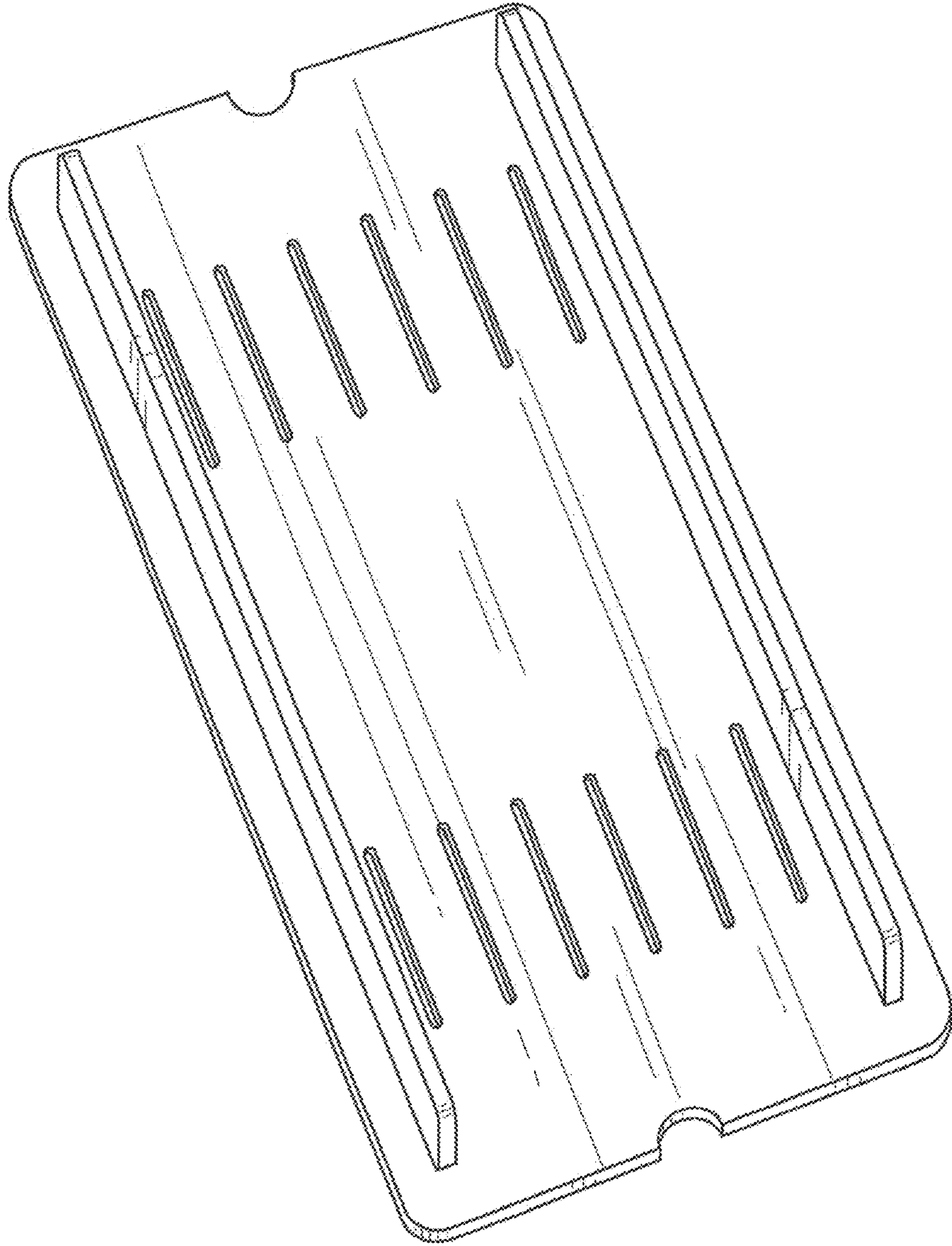


FIG. 8

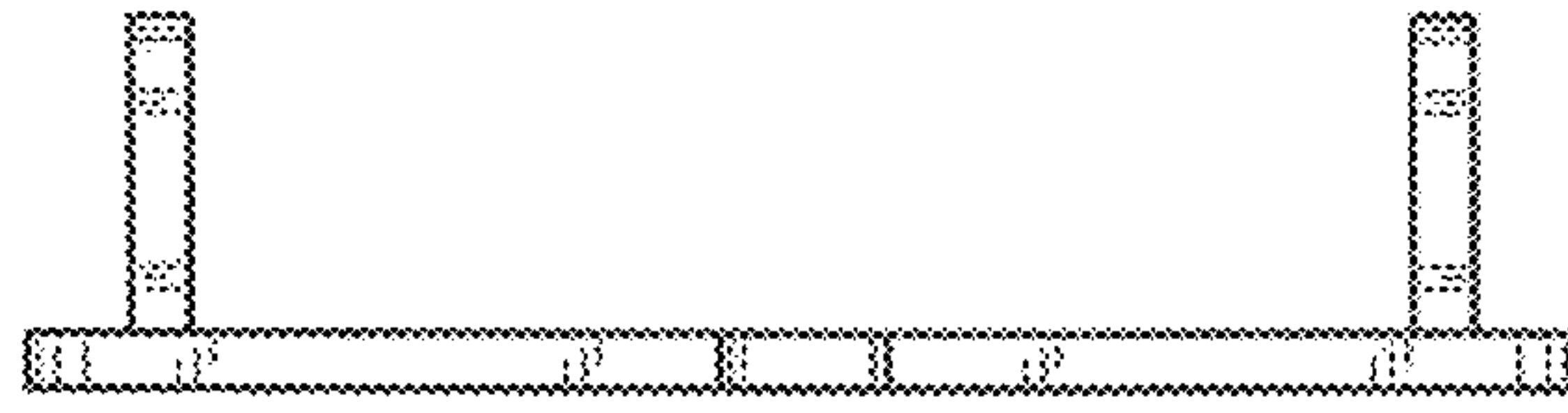


FIG. 11

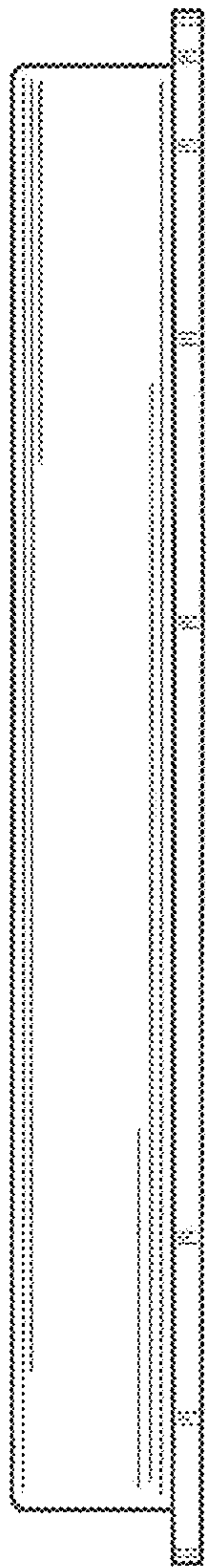


FIG. 10

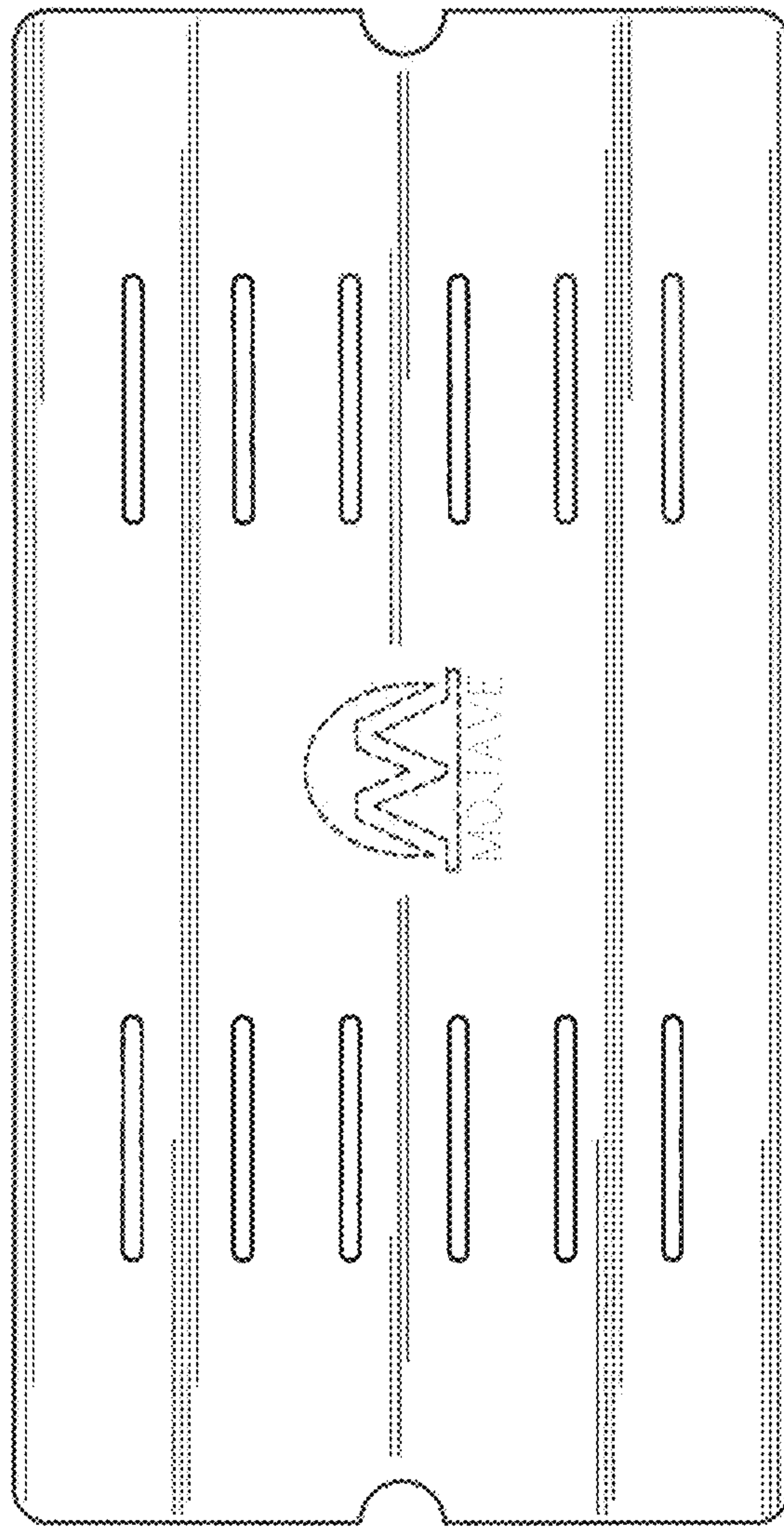


FIG. 9

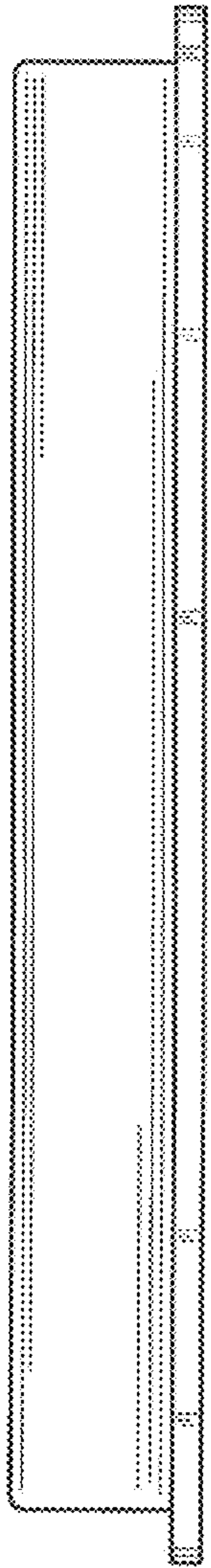


FIG. 12

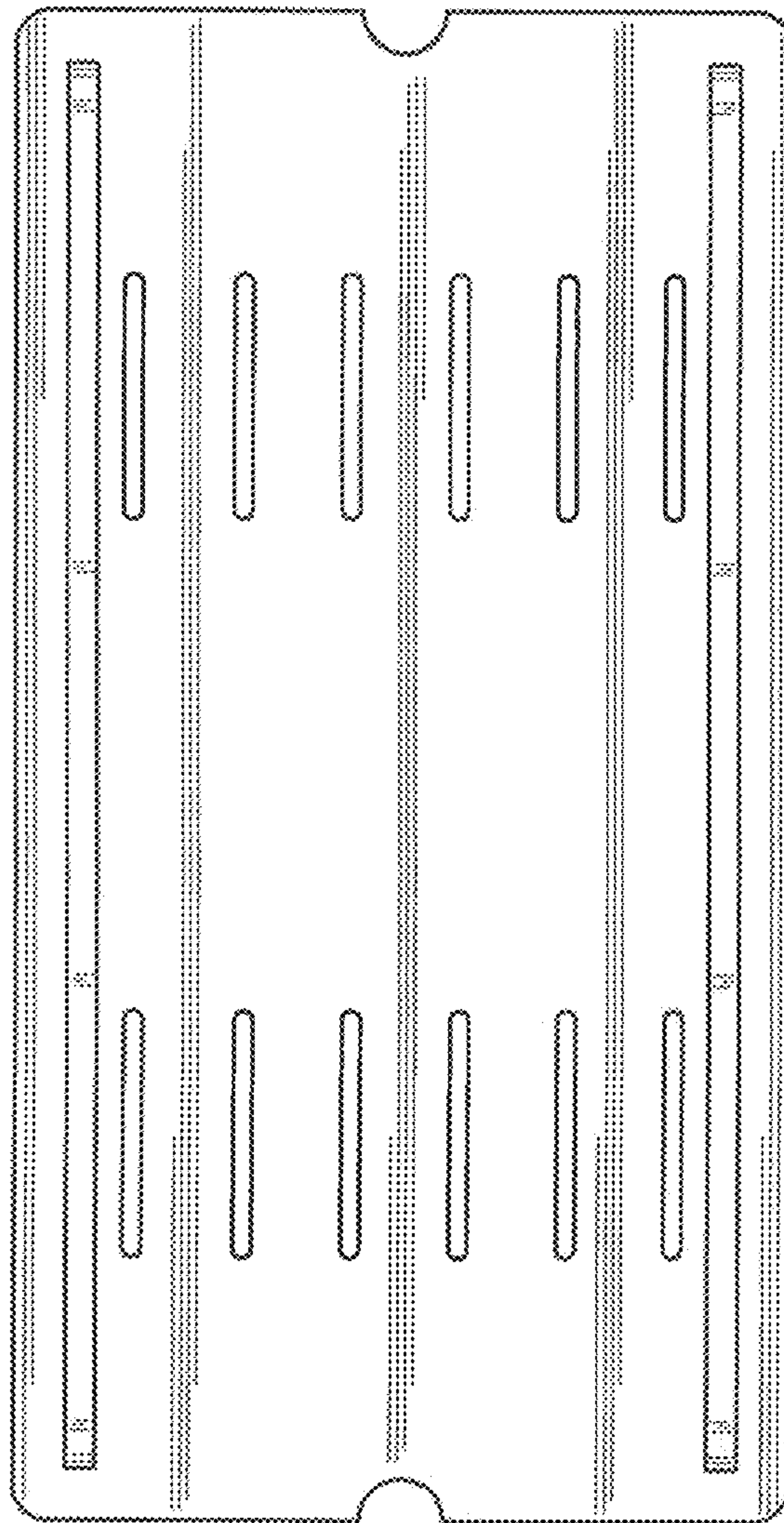


FIG. 13



FIG. 14