



US00D926827S

(12) **United States Design Patent** (10) **Patent No.:** **US D926,827 S**  
**Behn et al.** (45) **Date of Patent:** **\*\* Aug. 3, 2021**

(54) **CABIN OF A VIBRATORY ROLLER**

(56) **References Cited**

(71) Applicant: **CATERPILLAR PAVING PRODUCTS INC.**, Brooklyn Park, MN (US)

U.S. PATENT DOCUMENTS

(72) Inventors: **Mark D. Behn**, St. Michael, MN (US); **Brian Nagel**, Ramsey, MN (US); **Terril Johnson**, Washington, IL (US); **Robert Iverson**, Maple Grove, MN (US); **Andrew Torkelson**, New Hope, MN (US)

D396,431 S	7/1998	Lindgren et al.	
D497,920 S *	11/2004	Antonetti .....	D15/30
D516,094 S	2/2006	Dötsch et al.	
D528,134 S *	9/2006	Vandendriessche .....	D15/30
D531,647 S *	11/2006	Stender .....	D15/30
D541,825 S *	5/2007	Pettersson .....	D15/30
D541,826 S *	5/2007	Brush .....	D15/30
D561,205 S *	2/2008	Pettersson .....	D15/30
D579,028 S *	10/2008	VanDeVeer .....	D15/30
D603,881 S *	11/2009	Tamplain, III .....	D15/30
D605,207 S *	12/2009	Menges .....	D15/30
D611,505 S	3/2010	Loew et al.	
D611,506 S	3/2010	Loew et al.	
D660,881 S *	5/2012	Bohme .....	D15/30
D667,851 S *	9/2012	Warr .....	D15/30

(73) Assignee: **Caterpillar Paving Products Inc.**, Brooklyn Park, MN (US)

(\*\*) Term: **15 Years**

(Continued)

(21) Appl. No.: **29/746,331**

*Primary Examiner* — Mark A Goodwin

(22) Filed: **Aug. 13, 2020**

(74) *Attorney, Agent, or Firm* — Finnegan, Henderson, Farabow, Garrett & Dunner, LLP

**Related U.S. Application Data**

(63) Continuation of application No. 29/691,256, filed on May 15, 2019, now Pat. No. Des. 899,468.

(51) **LOC (13) Cl.** ..... **15-03**

(52) **U.S. Cl.**  
USPC ..... **D15/30**

(58) **Field of Classification Search**

USPC ..... D15/10, 22–26, 28, 30; 180/89.1, 89.12, 180/89.13, 900, 9.1, 9.2, 9.62; 37/379; 414/694, 699, 722–724, 660, 685, 698, 414/719, 743  
CPC ..... E02F 3/32; E02F 3/76; E02F 3/40; E02F 3/325; E02F 3/352; E02F 3/384; E02F 3/425; E02F 3/437; E02F 3/627; E02F 3/964; E02F 9/163; E02F 9/0858; E02F 9/0875; E02F 9/2045; E02F 9/006; E02F 9/0808; E02F 9/0833; E02F 9/2004; E02F 9/207; E02F 9/2091; E02F 9/2246; E02F 9/2292

See application file for complete search history.

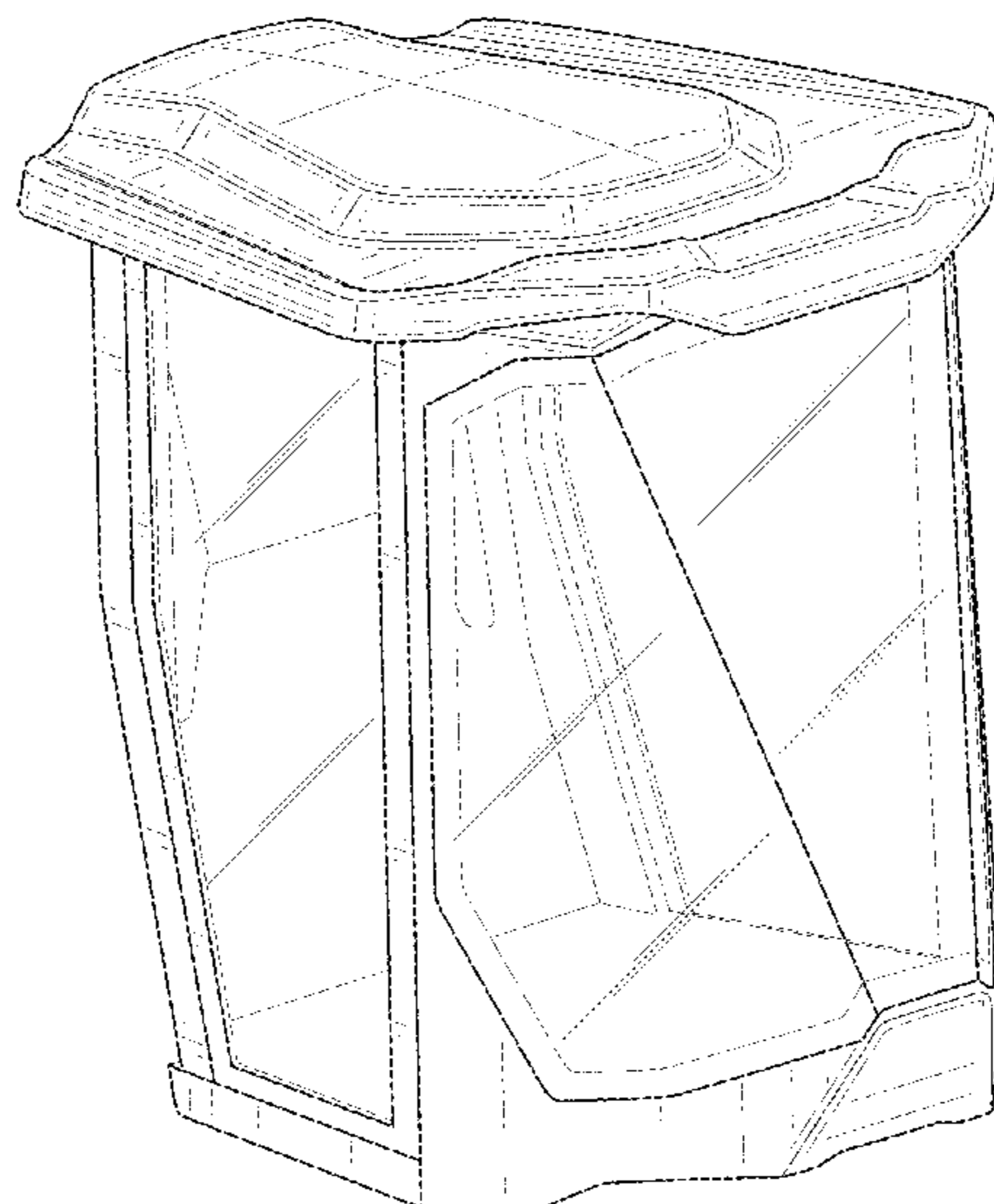
(57) **CLAIM**

The ornamental design for a cabin of a vibratory roller, as shown and described.

**DESCRIPTION**

FIG. 1 is a front, top, left perspective view of a cabin of a vibratory roller showing the new design;  
FIG. 2 is a rear, top, right perspective view thereof;  
FIG. 3 is rear, bottom, left perspective view thereof;  
FIG. 4 is a front elevation view thereof;  
FIG. 5 is a rear elevation view thereof;  
FIG. 6 is a left side view thereof;  
FIG. 7 is a right side view thereof;  
FIG. 8 is a top plan view thereof; and,  
FIG. 9 is a bottom plan view thereof.

**1 Claim, 9 Drawing Sheets**



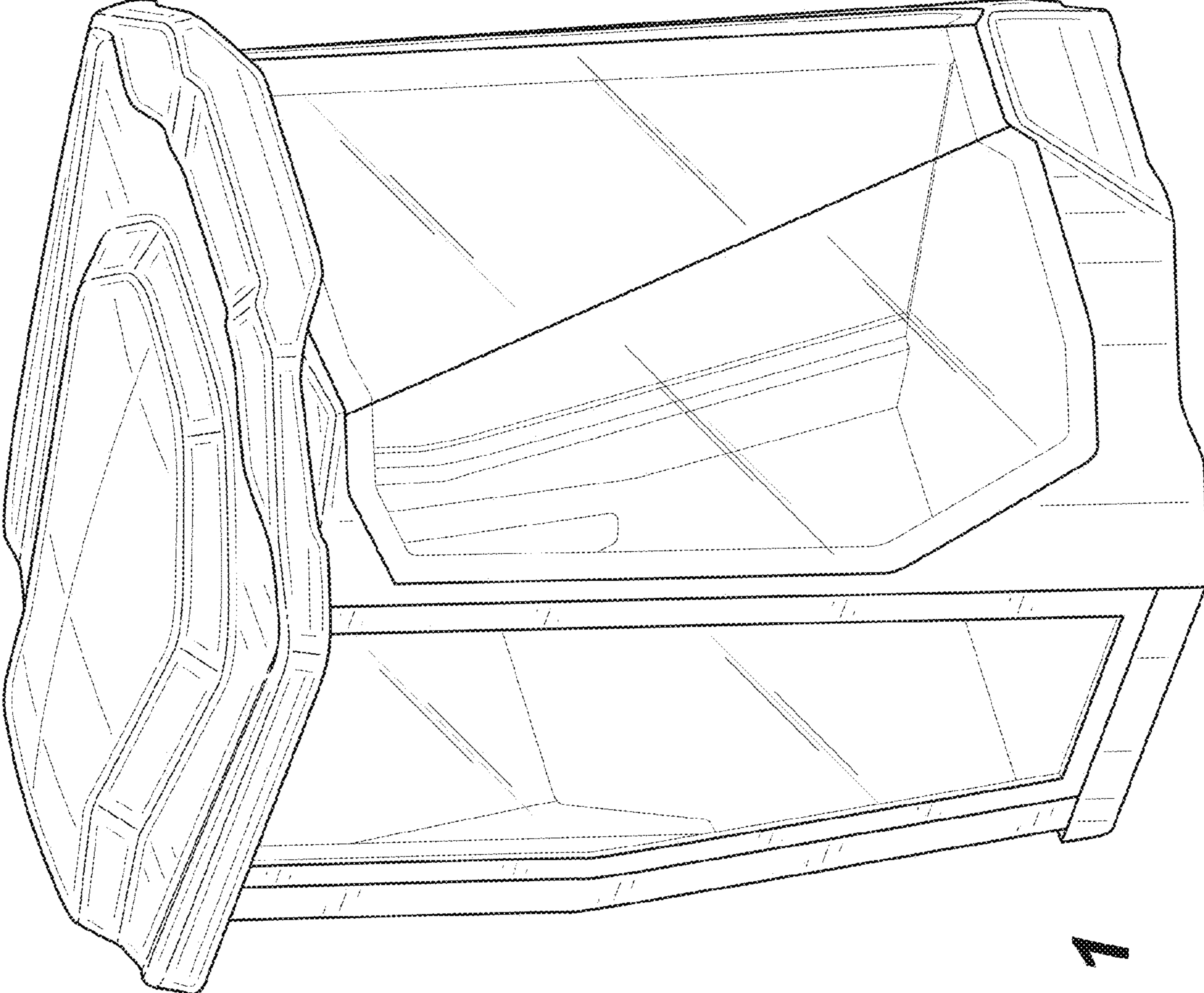
(56)

**References Cited**

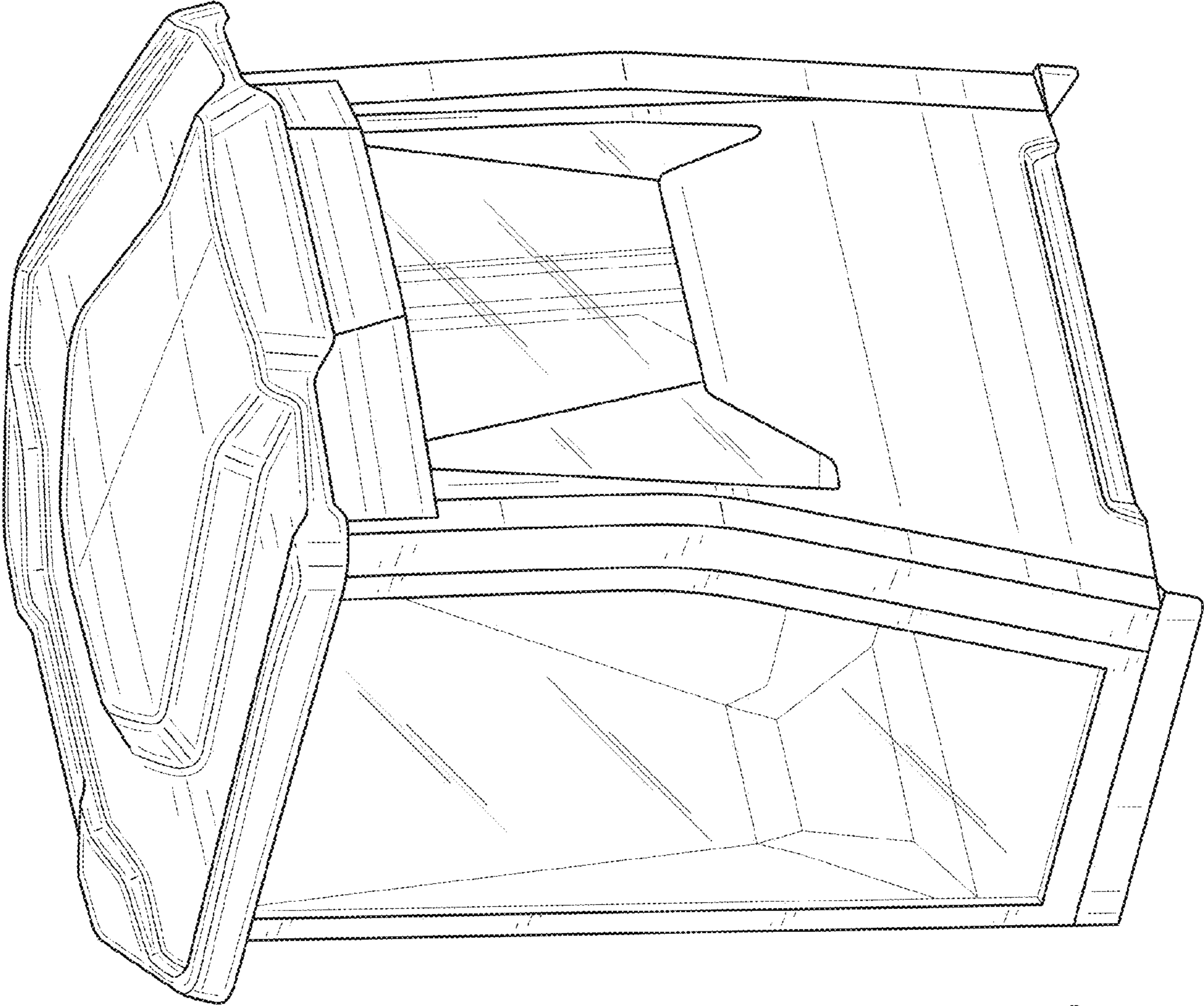
## U.S. PATENT DOCUMENTS

D668,269	S	10/2012	Tezuka et al.	
D668,693	S *	10/2012	Ringer .....	D15/30
D668,694	S	10/2012	Tezuka et al.	
D670,745	S *	11/2012	Warr .....	D15/30
D671,566	S *	11/2012	Fang .....	D15/30
D676,463	S	2/2013	Ewringmann et al.	
D687,868	S *	8/2013	Watson .....	D15/30
D694,278	S	11/2013	Ewringmann	
D694,279	S	11/2013	Ewringmann	
D699,764	S	2/2014	Loew et al.	
D707,728	S *	6/2014	Imashige .....	D15/30
D720,779	S	1/2015	Loew et al.	
D736,270	S *	8/2015	Jackson .....	D15/30
D744,543	S	12/2015	Loew et al.	
D745,063	S	12/2015	Loew et al.	
D749,148	S *	2/2016	Darekar .....	D15/30
D765,735	S	9/2016	Roemer et al.	
D796,557	S	9/2017	Loew et al.	
D800,792	S	10/2017	Loew et al.	
D800,793	S	10/2017	Loew et al.	
D819,704	S	6/2018	Loew et al.	
D853,450	S	7/2019	Loew	
D854,587	S *	7/2019	Ninomiya .....	D15/30
D866,616	S *	11/2019	Jilbert .....	D15/30
D871,462	S *	12/2019	Svitek .....	D15/30
D874,524	S *	2/2020	Iwata .....	D15/30
D877,209	S *	3/2020	Winkel .....	D15/30
2004/0028472	A1	2/2004	Richter	
2012/0114416	A1	5/2012	Marsolek et al.	
2012/0301221	A1	11/2012	Ackermann et al.	
2014/0161529	A1	6/2014	Darscheid et al.	
2015/0204031	A1	7/2015	Kreutz	

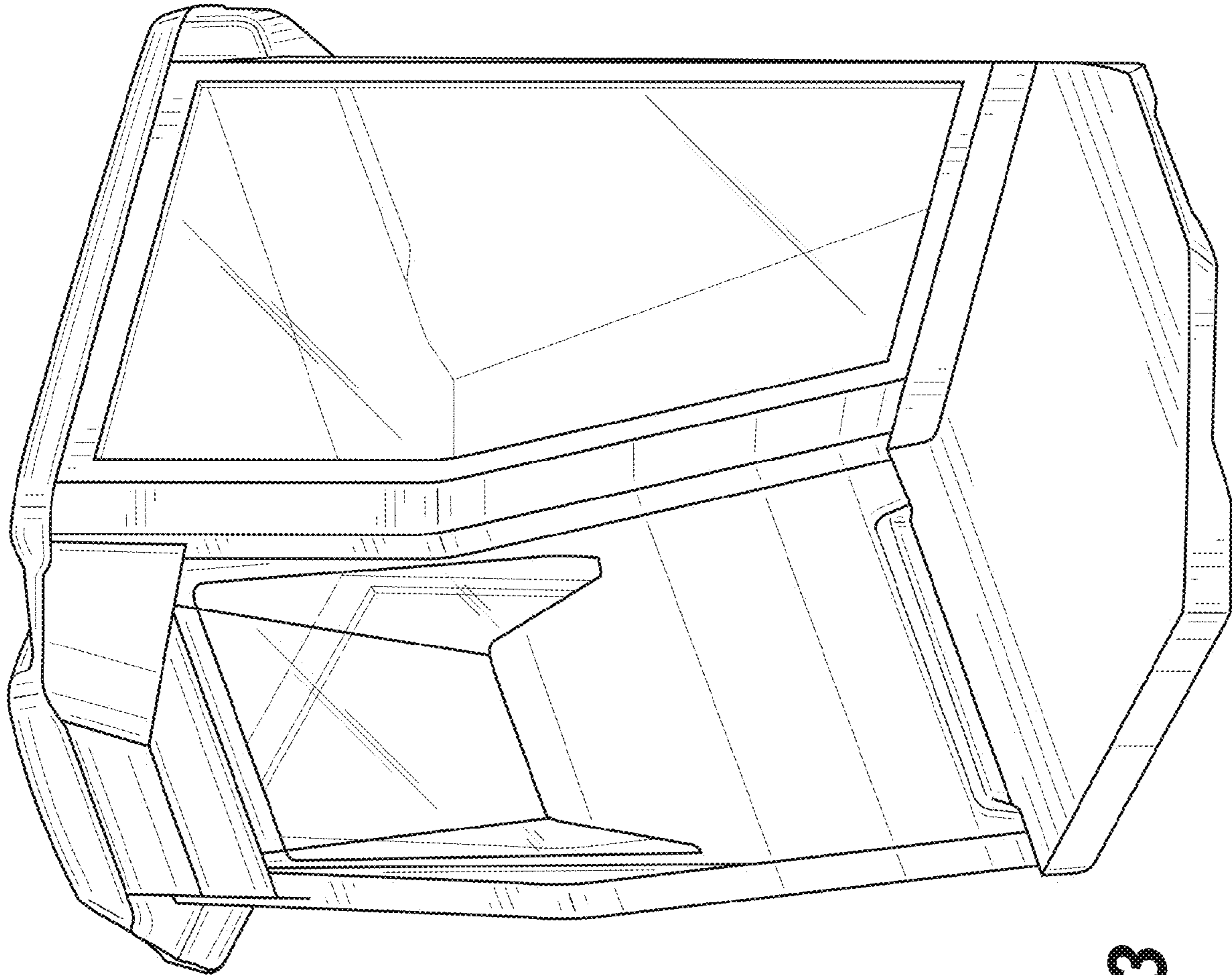
\* cited by examiner



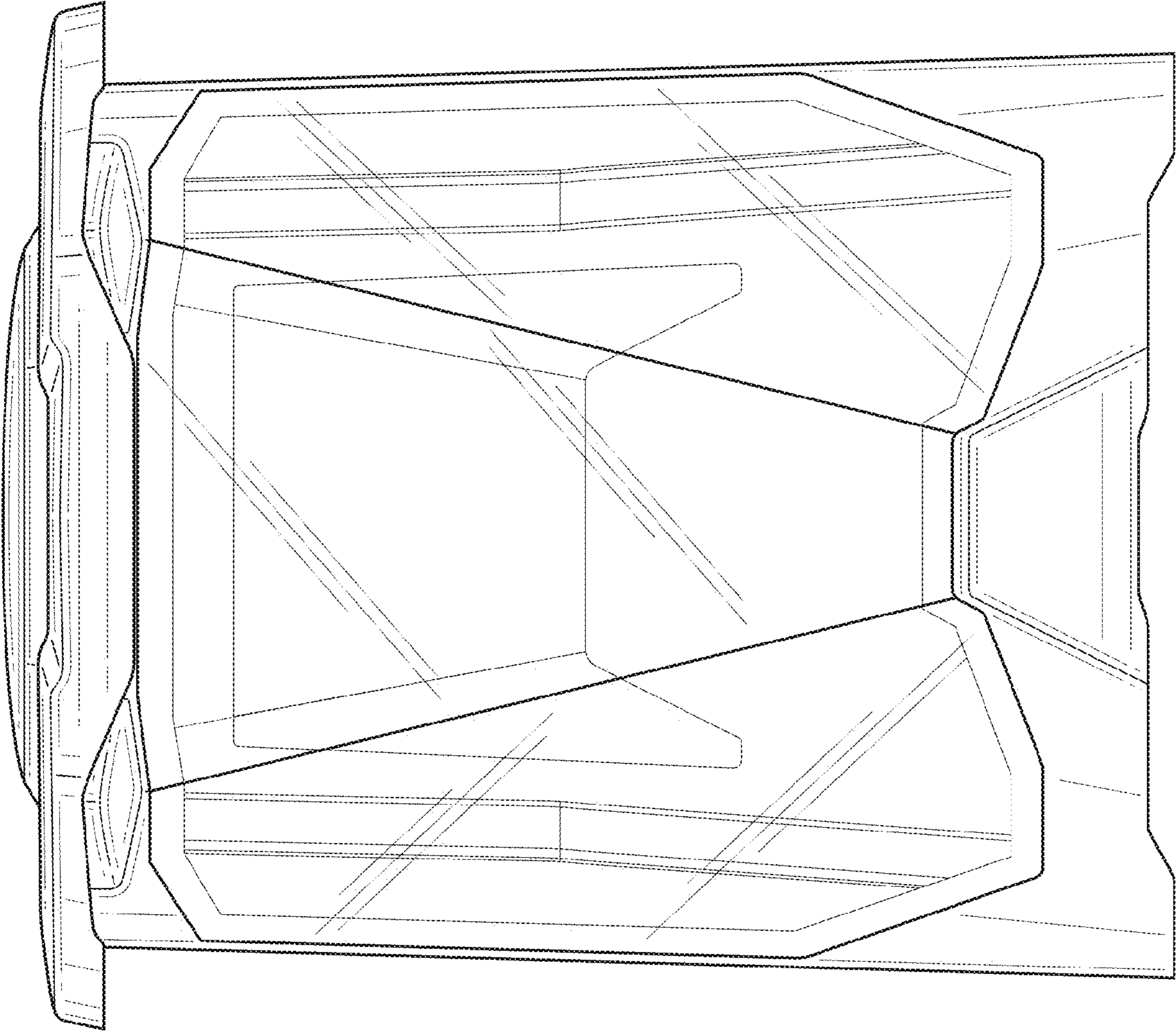
**FIG. 1**



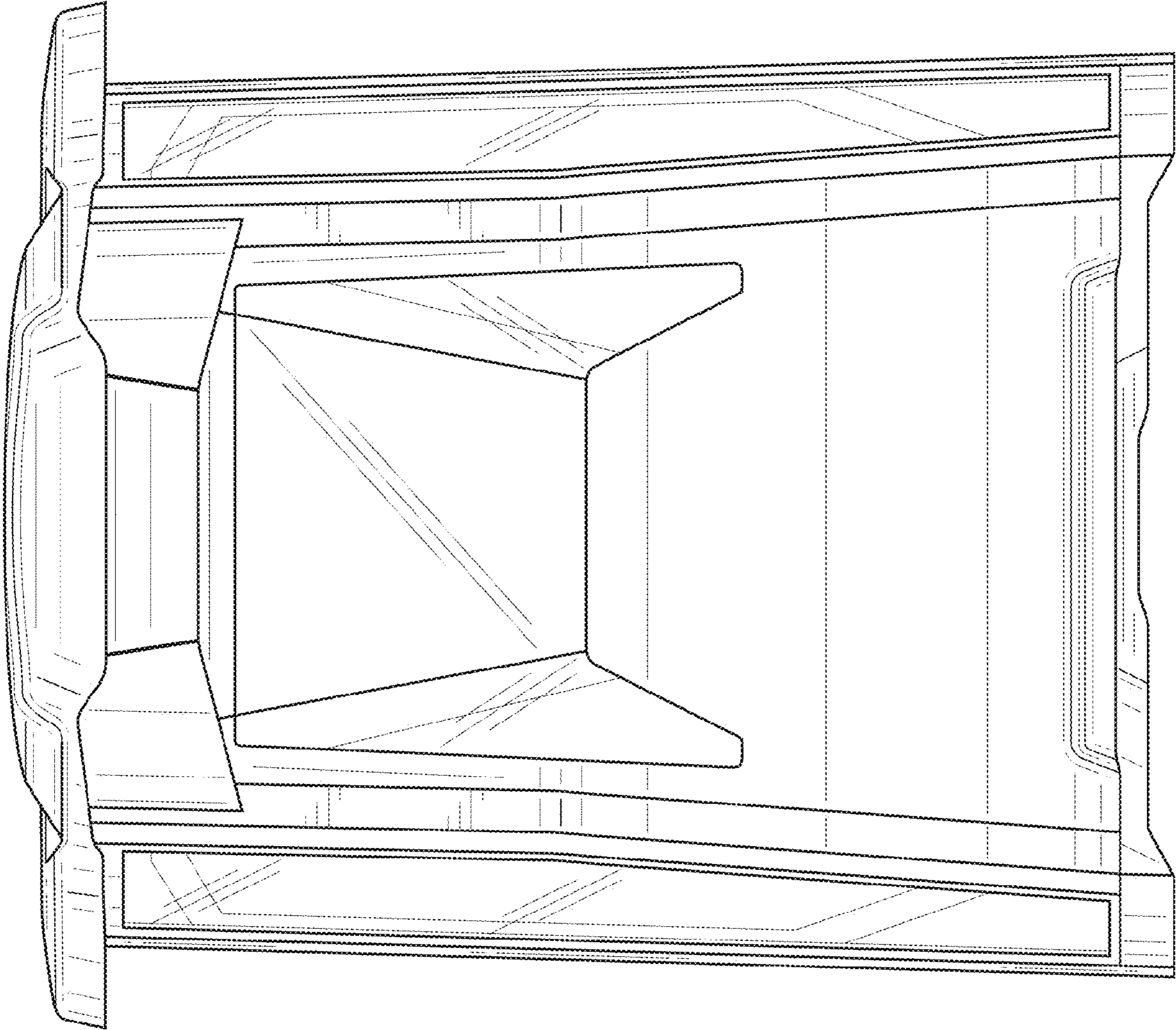
**FIG. 2**



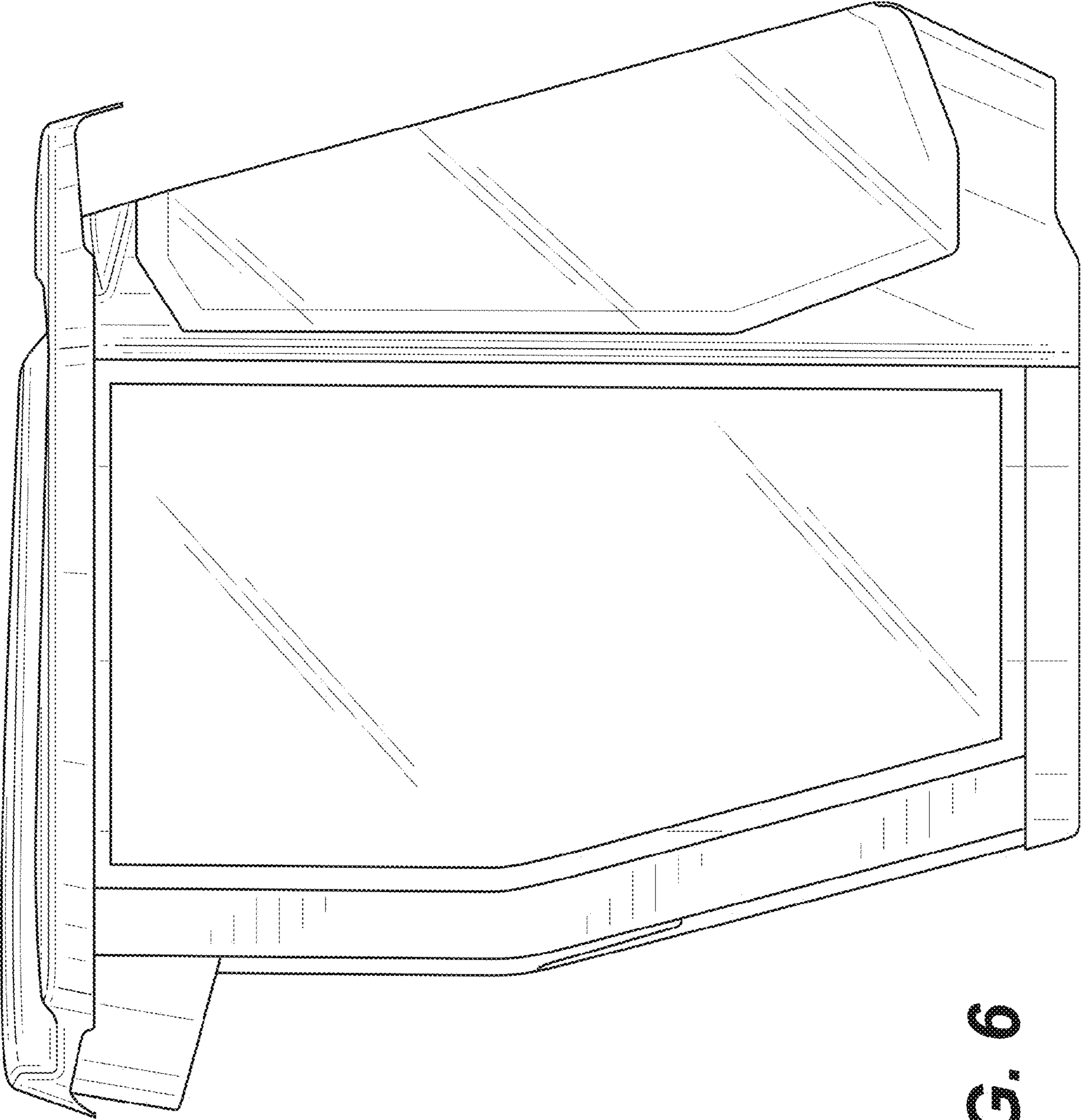
**FIG. 3**



**FIG. 4**



**FIG. 5**



**FIG. 6**



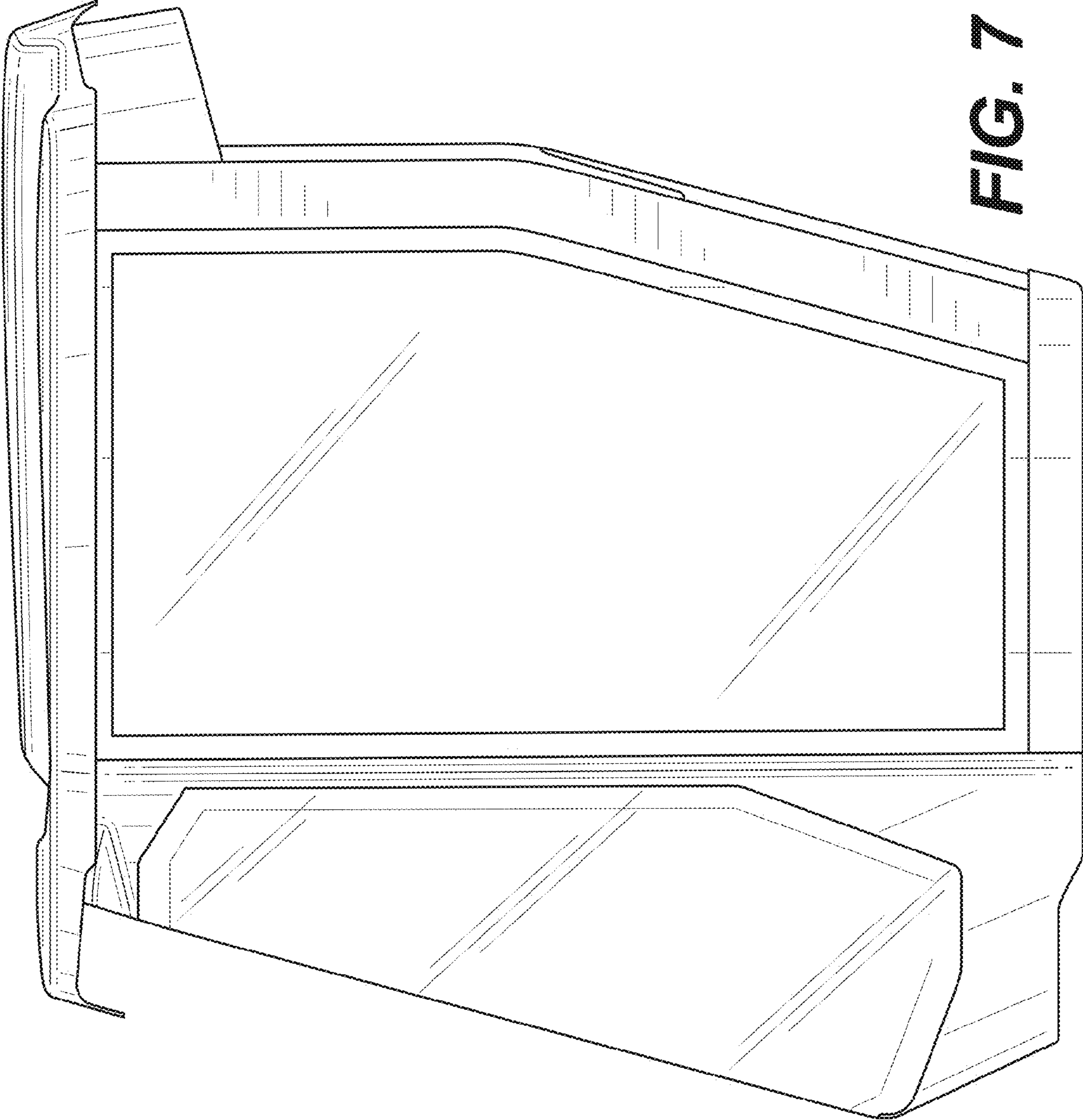
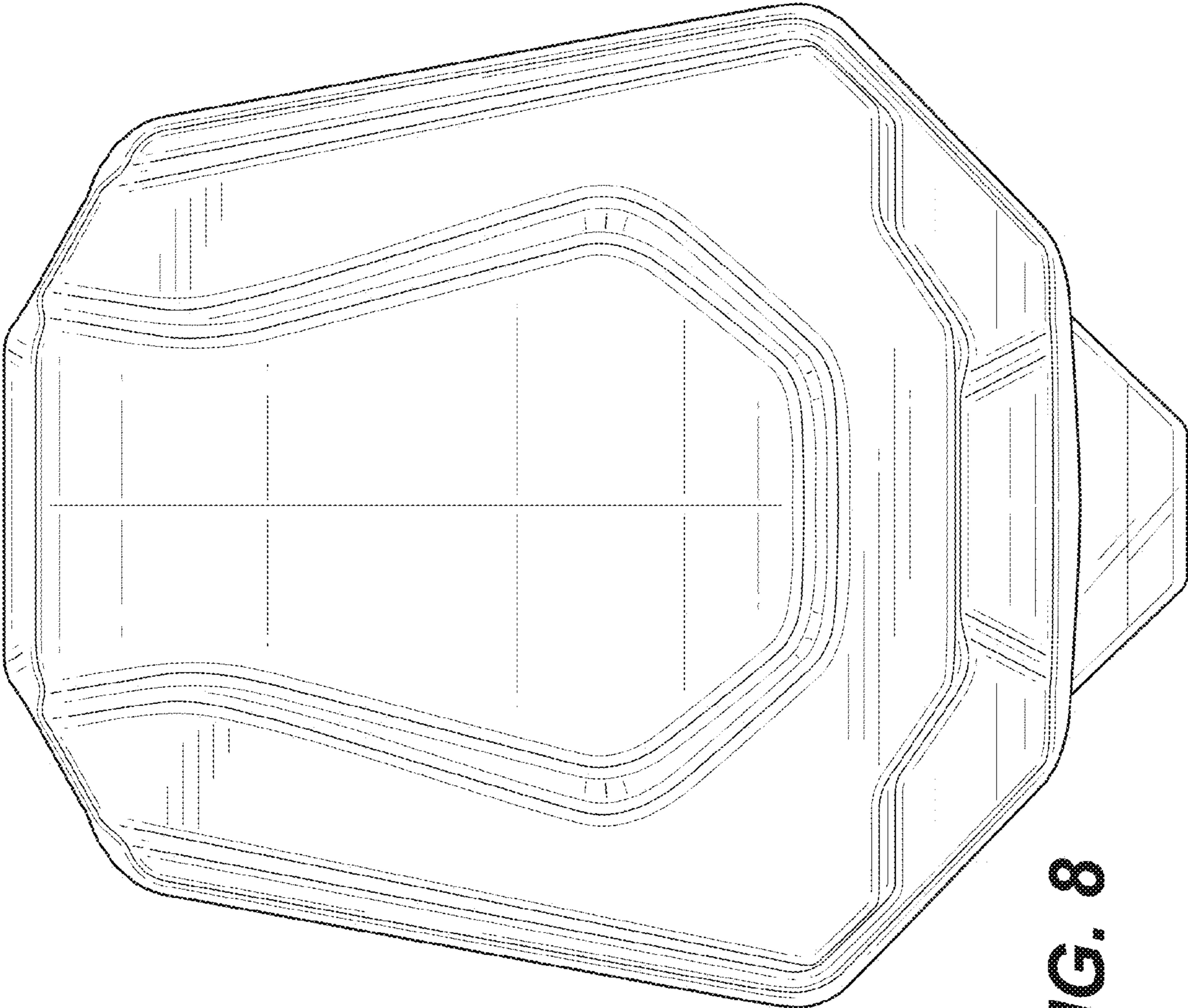
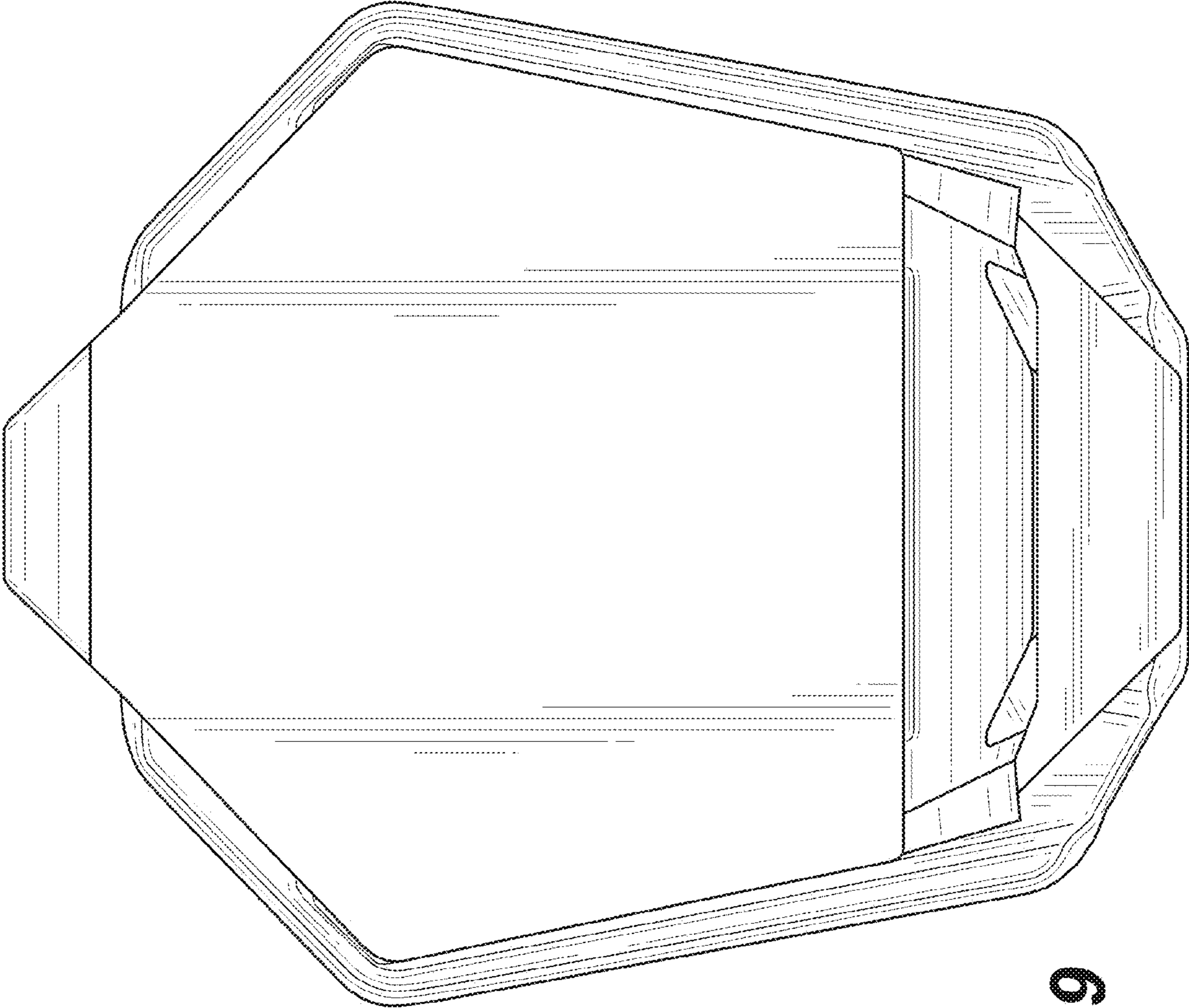


FIG. 7



**FIG. 8**



**FIG. 9**