



US00D926826S

(12) **United States Design Patent** (10) **Patent No.:** **US D926,826 S**
Penmetsa et al. (45) **Date of Patent:** **** Aug. 3, 2021**

(54) **ILLUMINATED TRACTOR HOOD**

(71) Applicant: **Zimeno, Inc.**, Fremont, CA (US)

(72) Inventors: **Praveen V. Penmetsa**, Newark, CA (US); **Daniel J. Sims**, Lake Forest, CA (US); **Michael A. Desmond**, Somis, CA (US); **Zachary M. Omohundro**, Carson, CA (US)

(73) Assignee: **Zimeno, Inc.**, Livermore, CA (US)

(**) Term: **15 Years**

(21) Appl. No.: **29/727,229**

(22) Filed: **Mar. 9, 2020**

(51) **LOC (13) Cl.** **15-03**

(52) **U.S. Cl.**
USPC **D15/28**

(58) **Field of Classification Search**
USPC D15/10, 23-26, 28, 29, 31, 32;
D26/28-36, 120, 122, 139
CPC .. B60K 11/08; B60K 11/04; F01P 5/06; F01P
11/10; F01P 2001/005; B60Y 2200/221
See application file for complete search history.

(56) **References Cited**

U.S. PATENT DOCUMENTS

3,656,799 A * 4/1972 Malm B60R 21/131
296/35.1
8,115,334 B2 2/2012 Vyas et al.
D663,753 S * 7/2012 Hickman D15/31
D753,195 S * 4/2016 Jackson D15/31

(Continued)

FOREIGN PATENT DOCUMENTS

WO WO2012154990 11/2012
WO WO2014033467 3/2014

OTHER PUBLICATIONS

International Search Report for PCT/US15/21339 dated Aug. 20, 2015.

Primary Examiner — Mark A Goodwin
Assistant Examiner — Benjamin M Weeks
(74) *Attorney, Agent, or Firm* — Rathe Lindenbaum LLP

(57) **CLAIM**

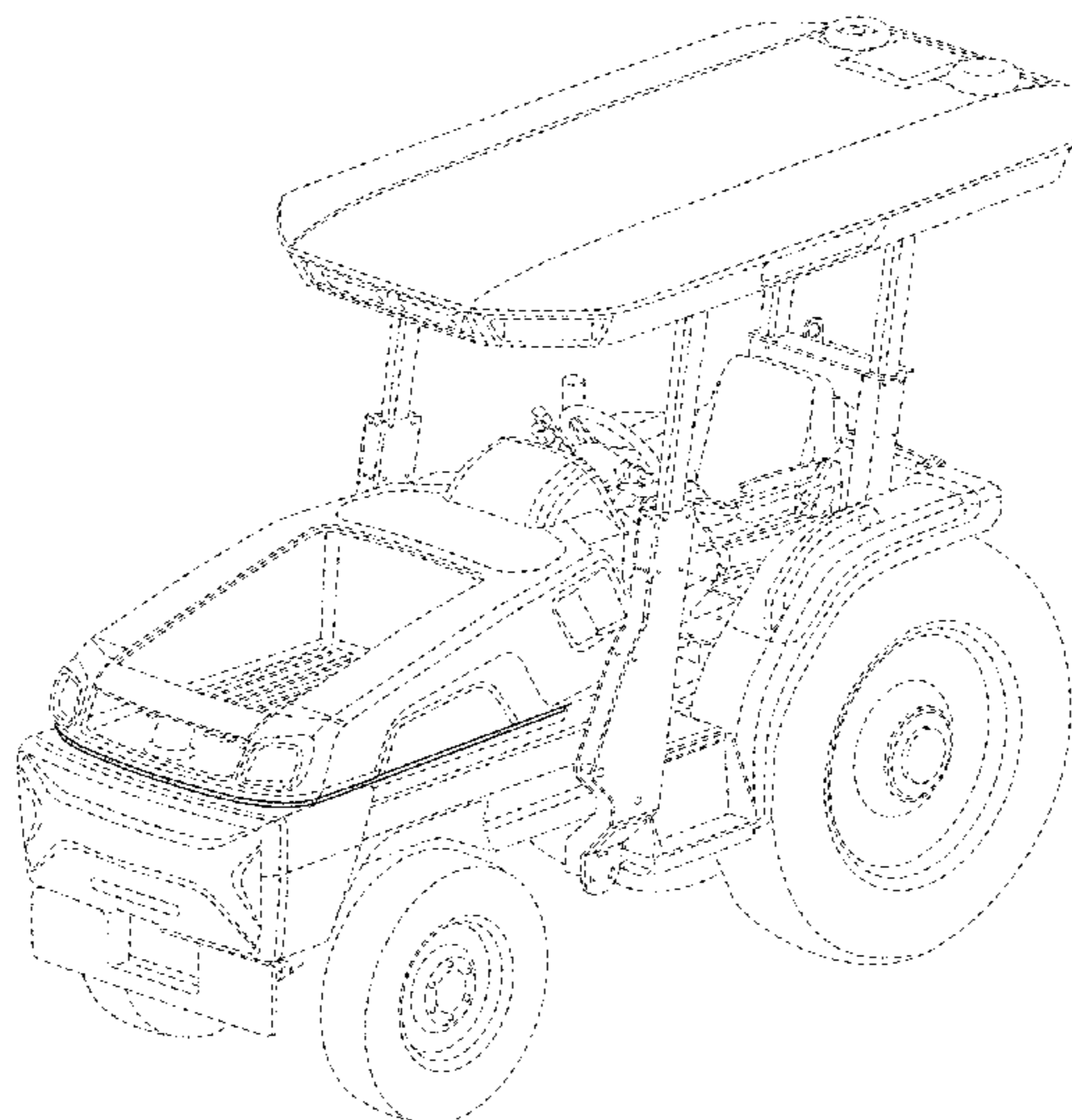
We claim the ornamental design for an illuminated tractor hood, as shown and described.

DESCRIPTION

FIG. 1 is a front perspective view of an illuminated tractor hood;
FIG. 2 is a rear perspective view thereof;
FIG. 3 is a right side view thereof;
FIG. 4 is a left side view thereof;
FIG. 5 is a front view thereof;
FIG. 6 right side rear view thereof;
FIG. 7 is a top view thereof; and
FIG. 8 is a bottom view thereof;
FIG. 9 is a front perspective view of the illuminated tractor hood in an illuminated state;
FIG. 10 is a rear perspective view of the illuminated tractor hood in the illuminated state;
FIG. 11 is a right side view of the illuminated tractor hood in the illuminated state;
FIG. 12 is a left side view of the illuminated tractor hood in the illuminated state; and,
FIG. 13 is a front view of the illuminated tractor hood in the illuminated state.

The ornamental design which is claimed is shown in solid lines in the drawings. The dashed broken lines in the drawings illustrate environmental structure and form no part of the claimed design. The shading in FIGS. 9-13 is shown to illustrate contrasting surfaces, a contrast between surfaces that are illuminated through the emission of light and surfaces not illuminated. The radiating broken lines shown in FIGS. 9-13 represent visible light being emitted by the illuminated surfaces (shown with stippling) in the illuminated state.

1 Claim, 13 Drawing Sheets



(56)

References Cited

U.S. PATENT DOCUMENTS

D799,562 S * 10/2017 Okuyama D15/31
D836,806 S * 12/2018 Niclot D26/28
D909,425 S * 2/2021 Park D15/31
2006/0145536 A1 7/2006 Hackl et al.
2012/0261202 A1* 10/2012 Bering B60K 11/08
180/68.1
2014/0021779 A1 1/2014 Teichmann
2014/0368170 A1 12/2014 Tang et al.
2014/0375272 A1 12/2014 Johnsen et al.
2015/0162784 A1 6/2015 Kydd
2015/0266382 A1 9/2015 Penmetsa et al.
2015/0336456 A1* 11/2015 Toomey F01N 13/085
180/309
2017/0129542 A1* 5/2017 Kurokawa A01B 69/02
2018/0231124 A1* 8/2018 Daiyakuji F16H 61/438
2020/0398679 A1* 12/2020 Siefken B60L 50/10

* cited by examiner

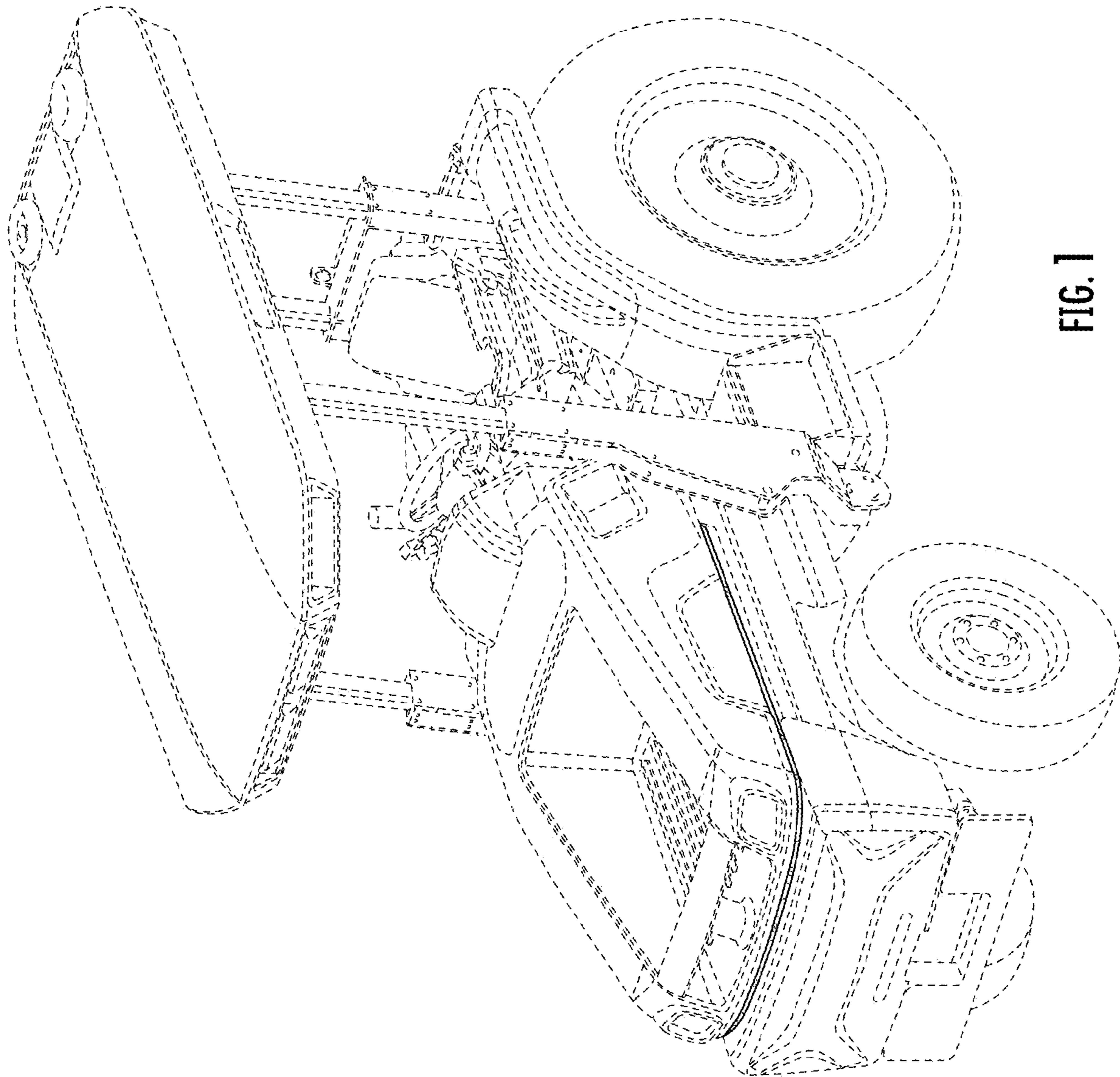


FIG. 1

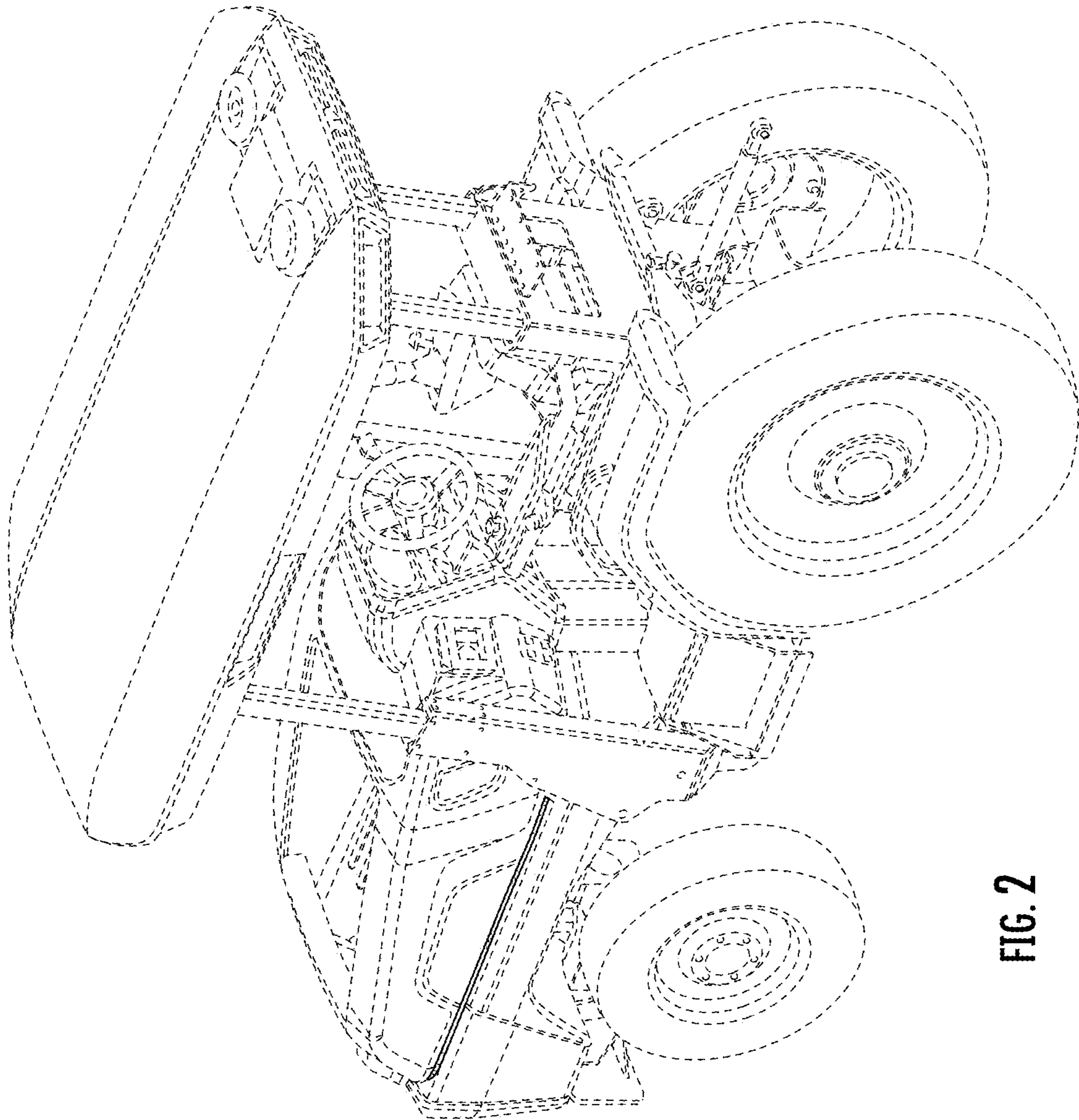


FIG. 2

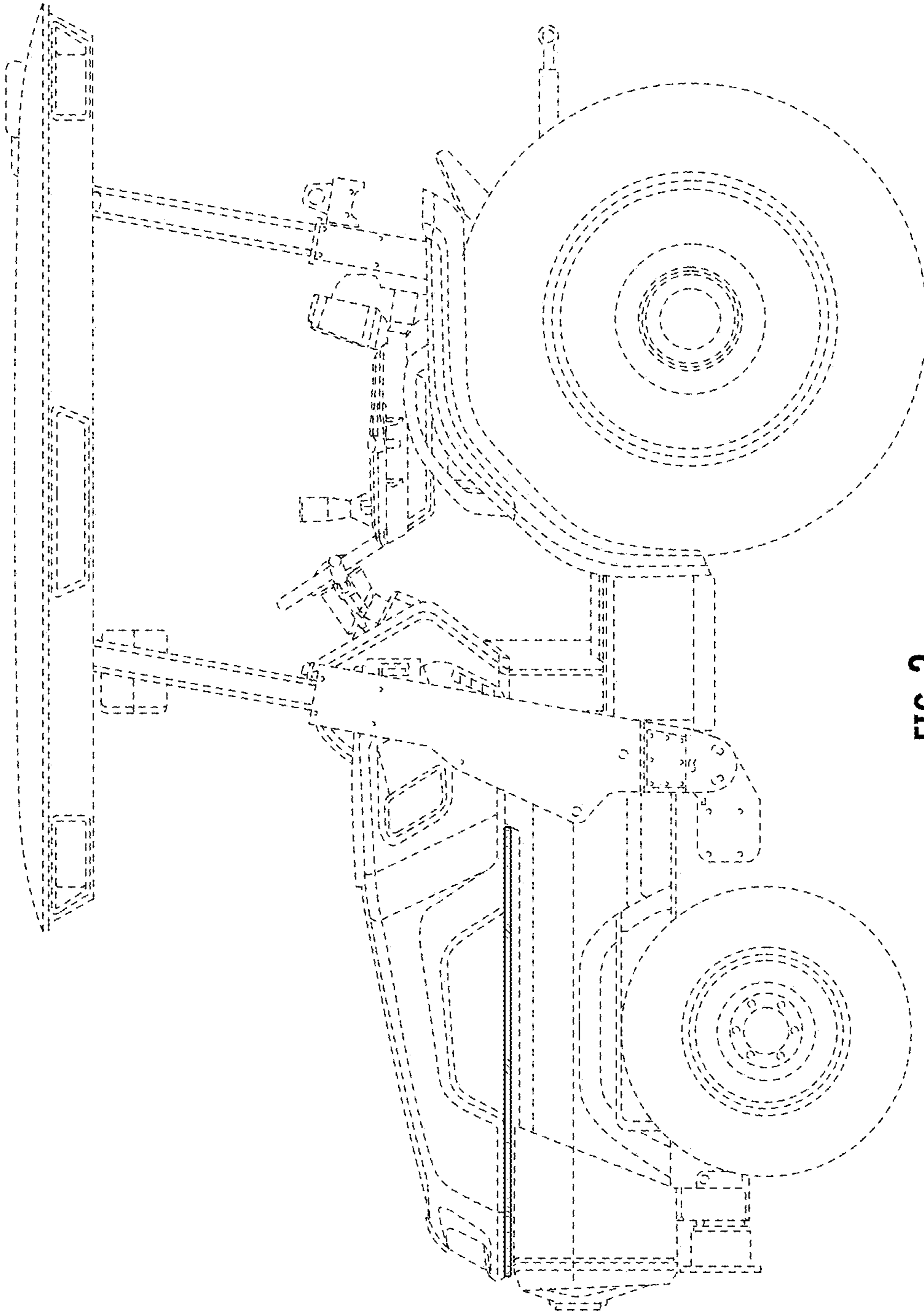


FIG. 3

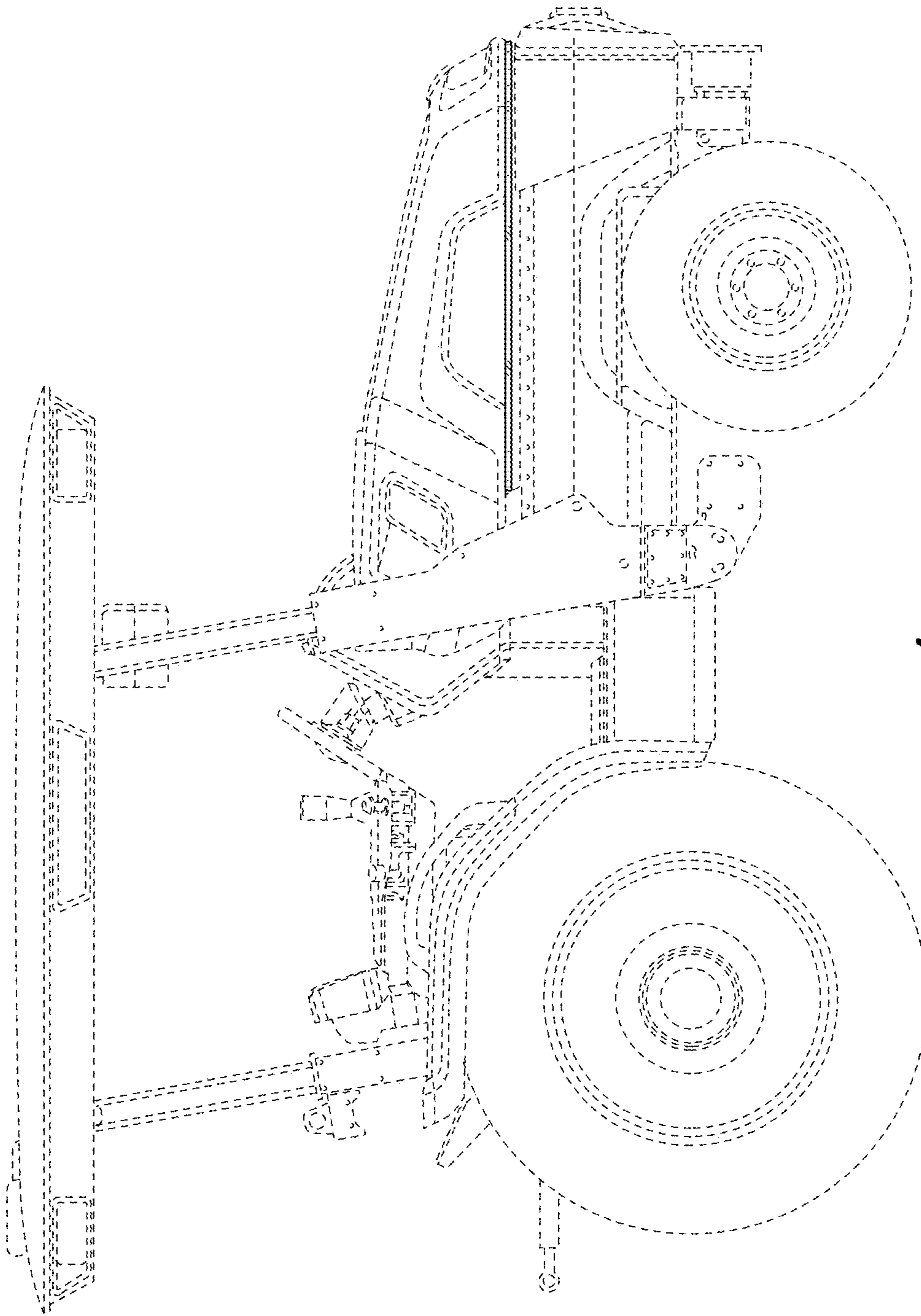


FIG. 4

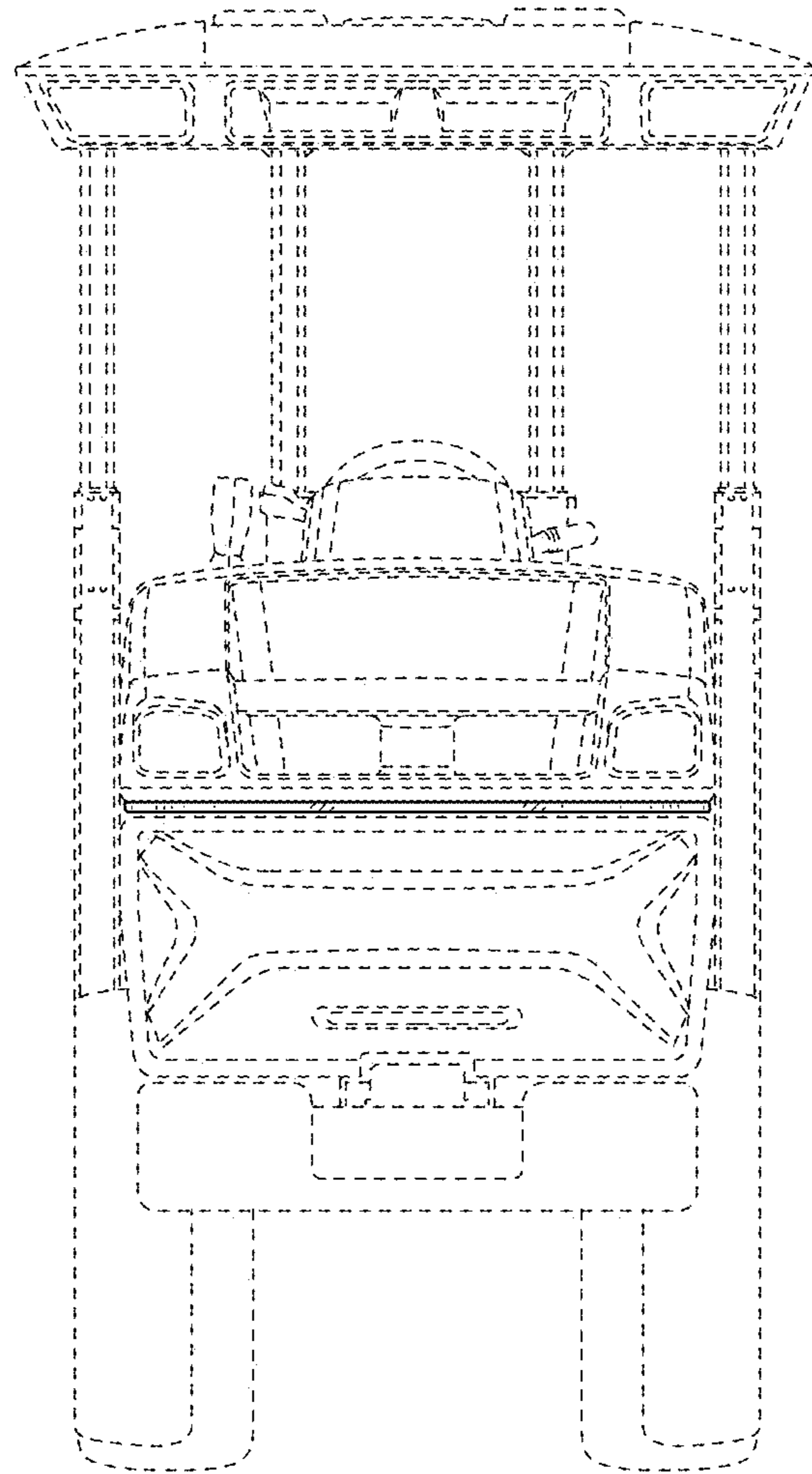


FIG. 5

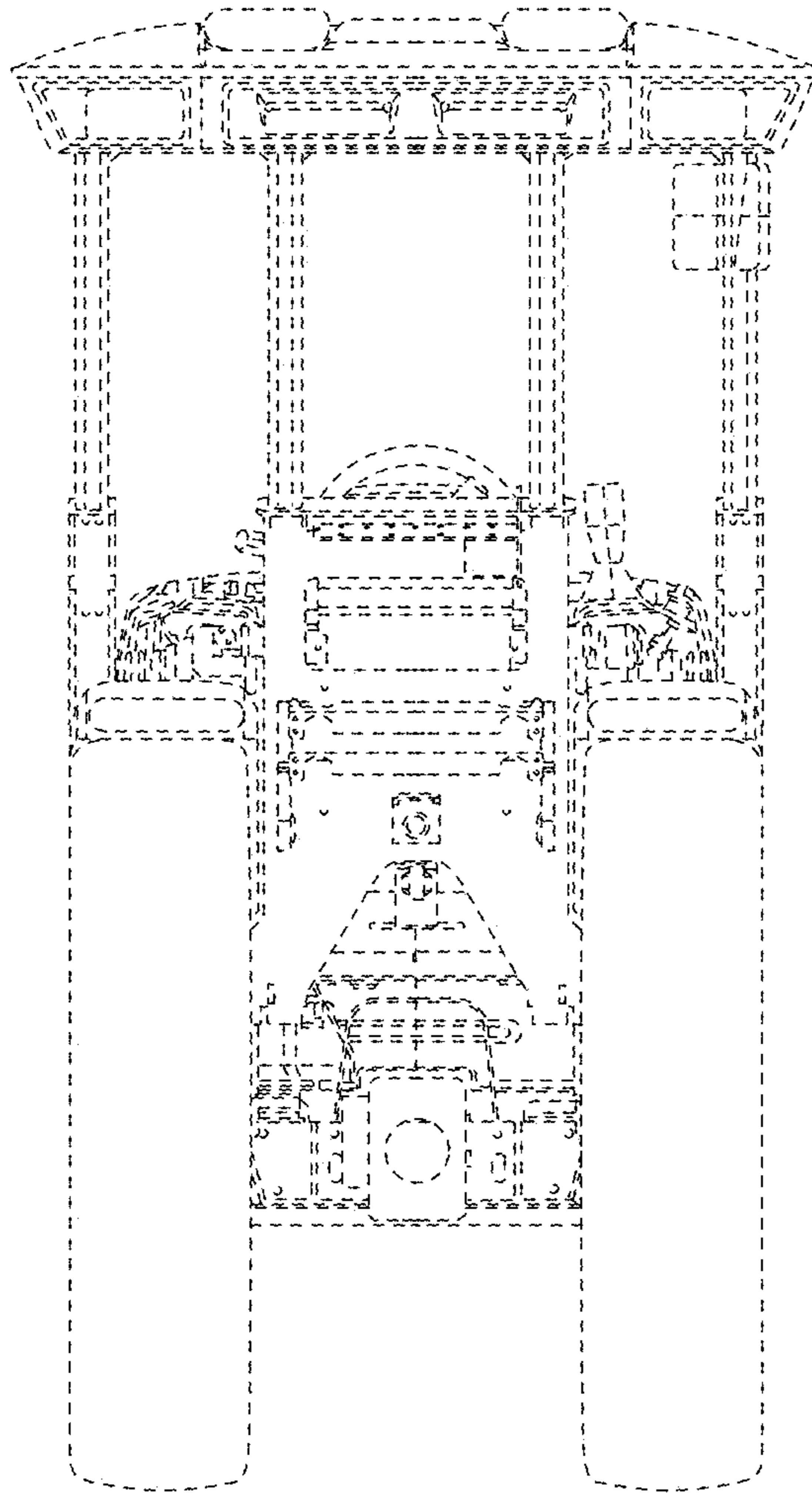


FIG. 6

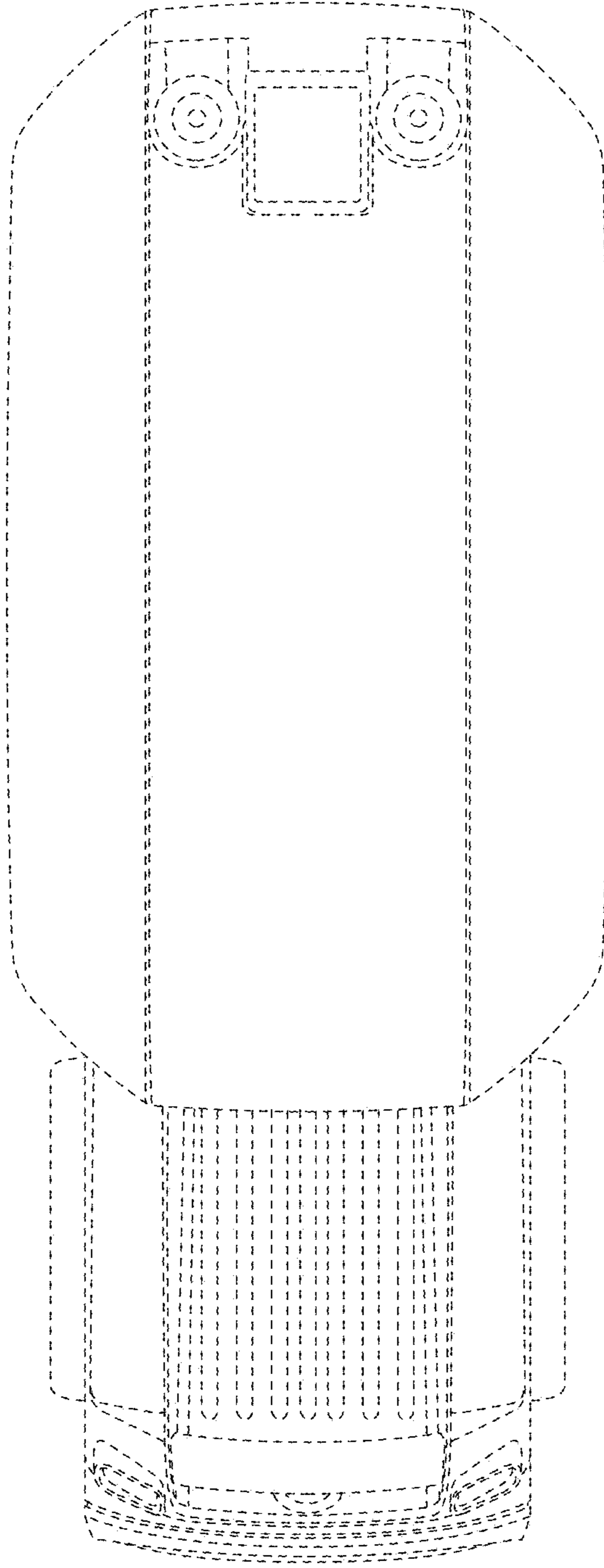


FIG. 7

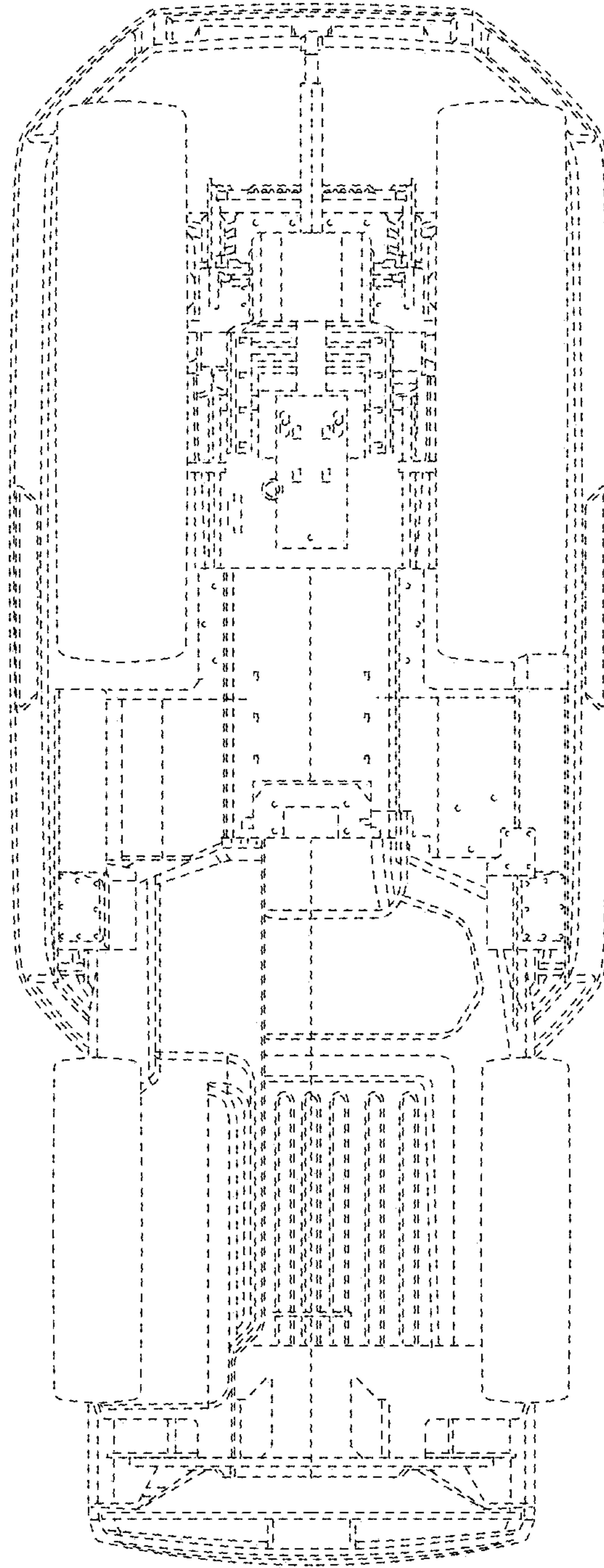


FIG. 8

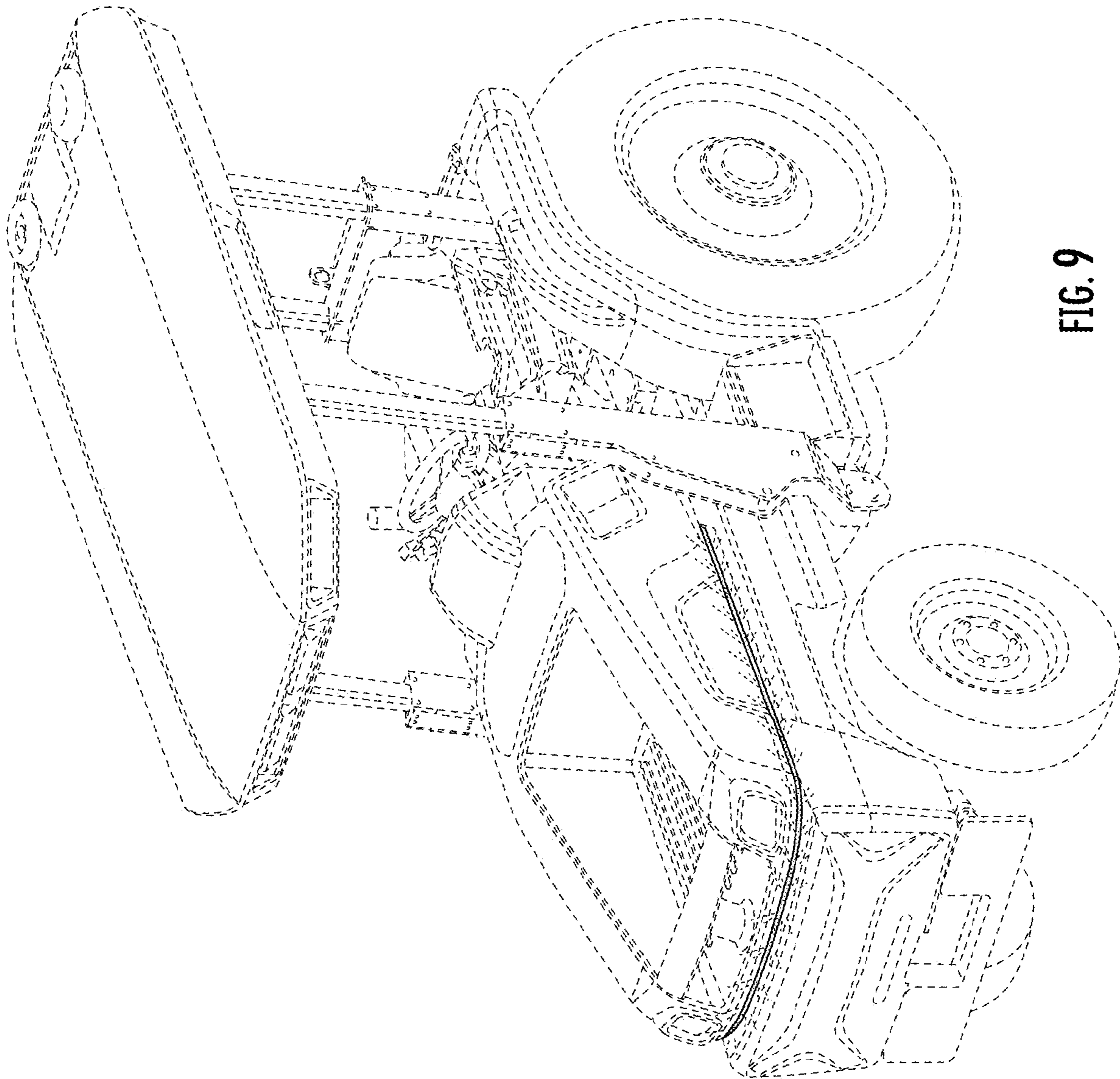


FIG. 9

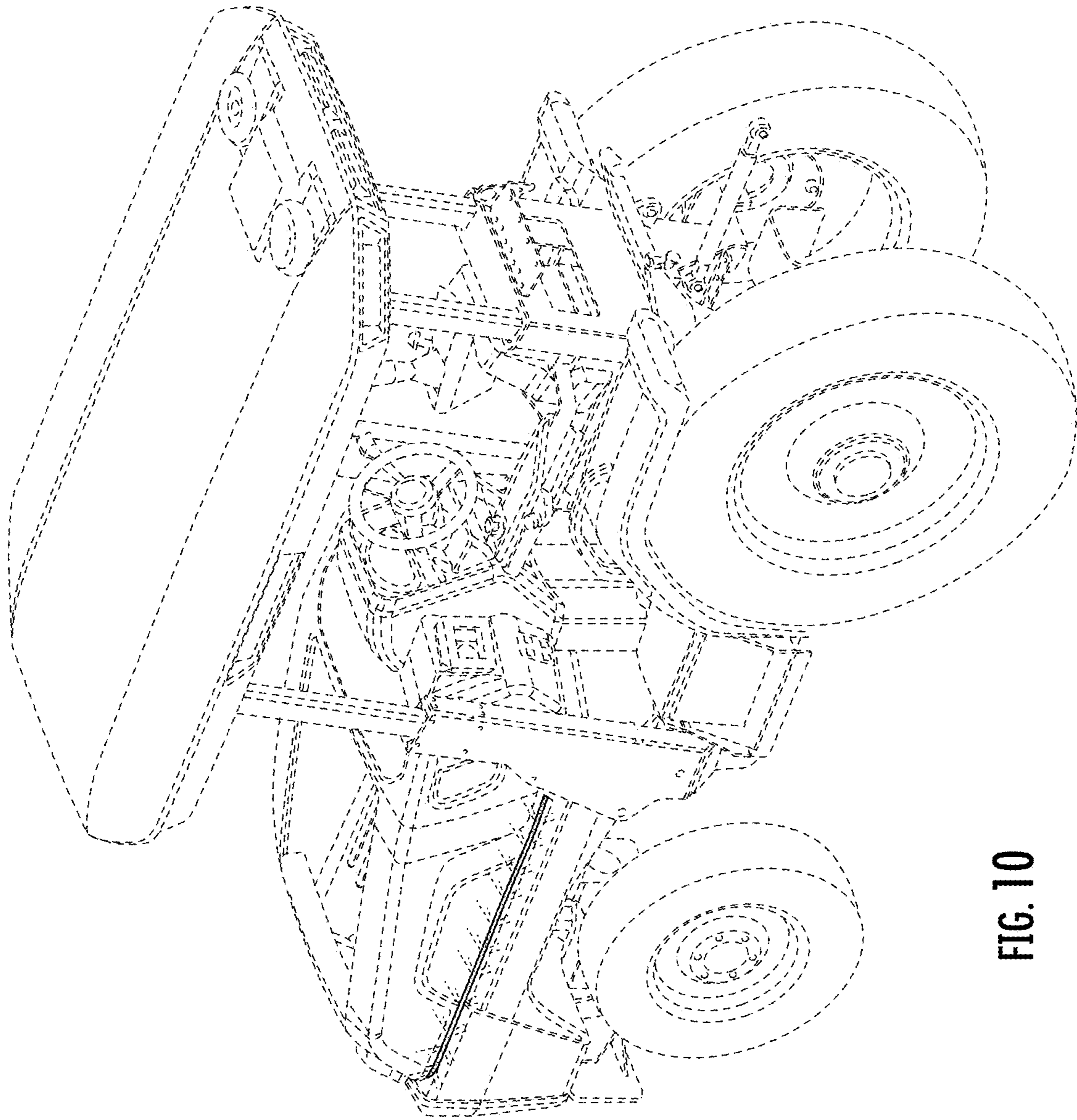


FIG. 10

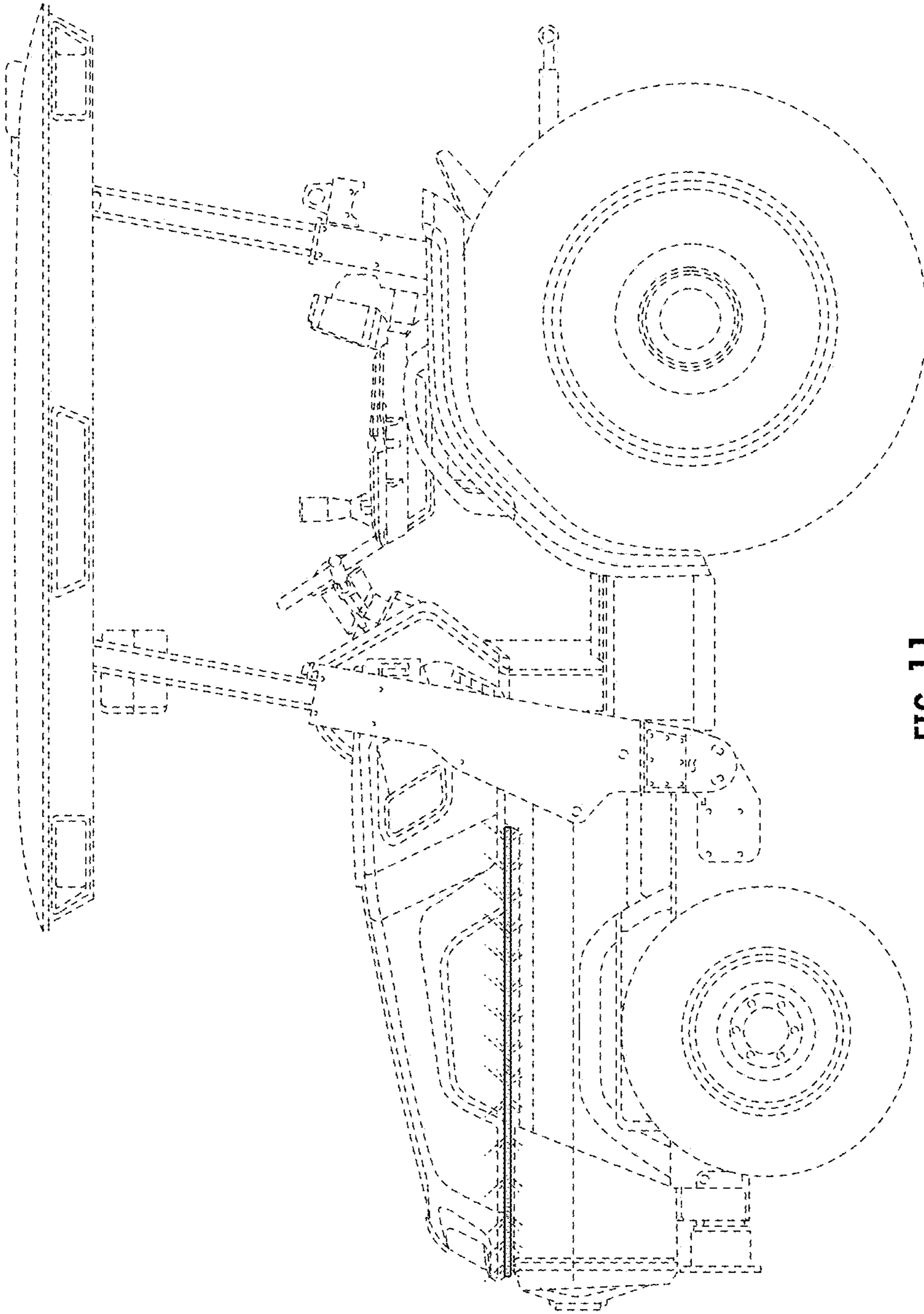


FIG. 11

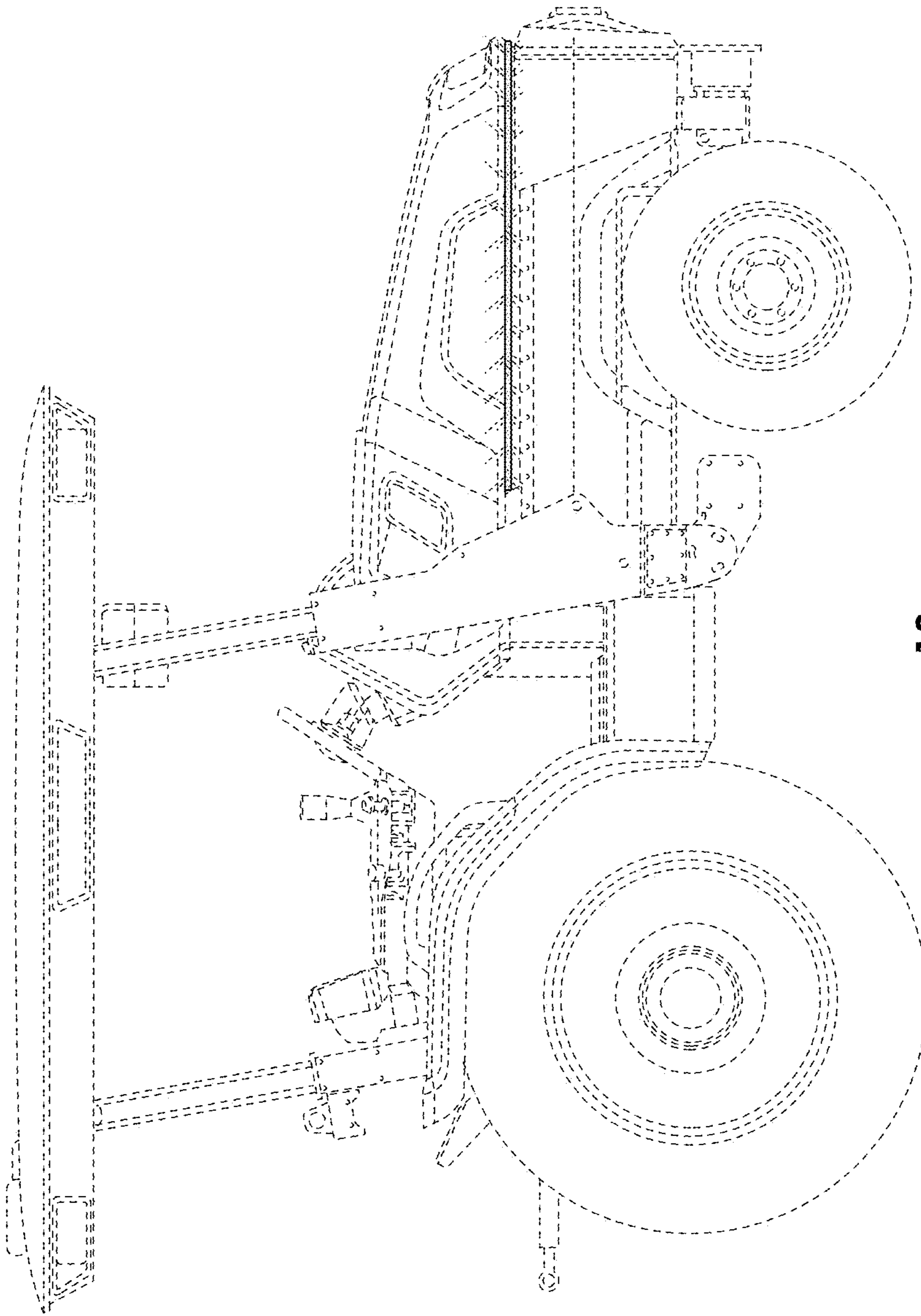


FIG. 12

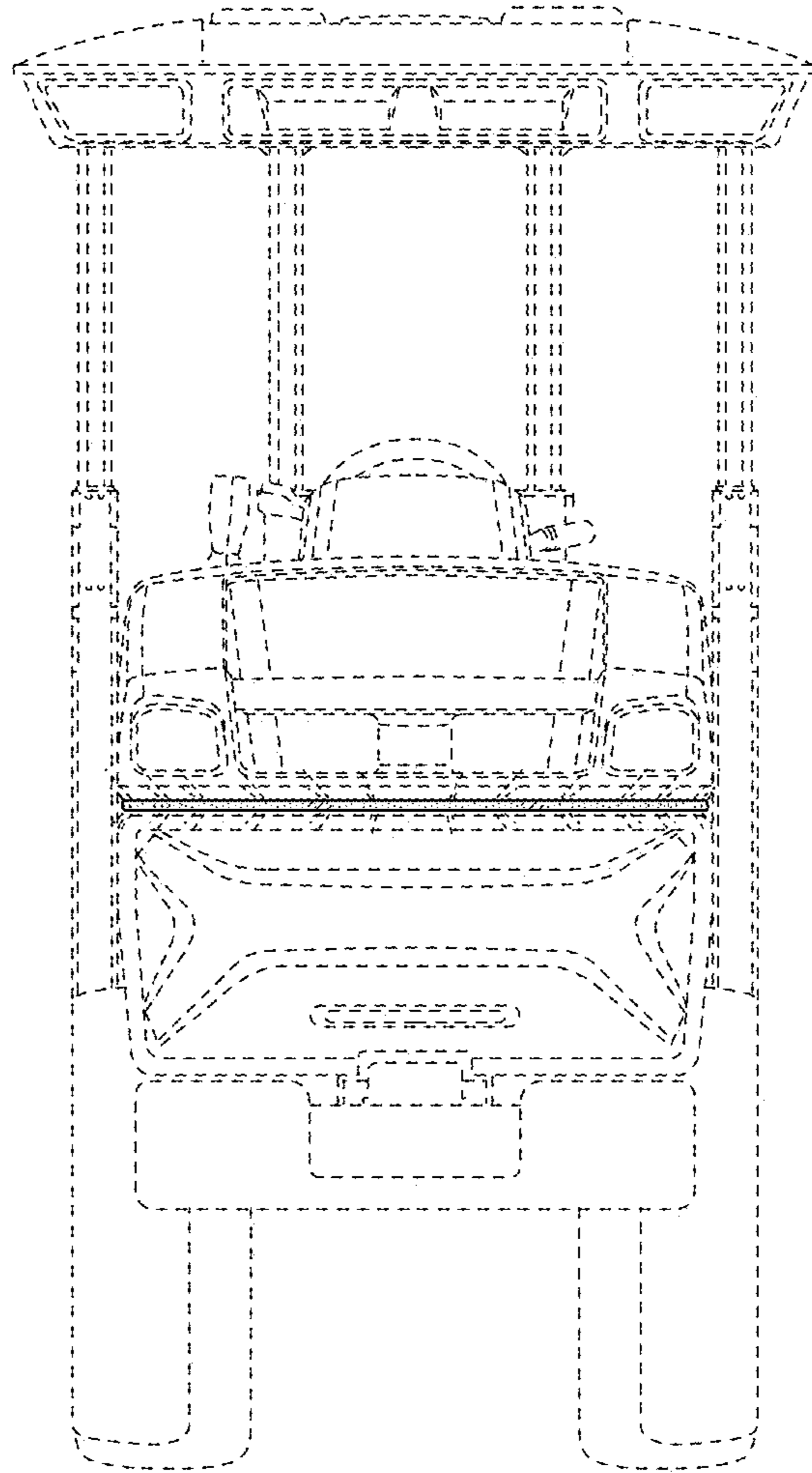


FIG. 13