



US00D926825S

(12) **United States Design Patent** (10) **Patent No.:** **US D926,825 S**
Abbey et al. (45) **Date of Patent:** **** Aug. 3, 2021**

(54) **SPIKER ANVIL HEAD**
(71) Applicant: **NORDCO INC.**, Oak Creek, WI (US)
(72) Inventors: **James Henry Abbey**, Muskego, WI (US); **Andrew Paul Dretzka**, New Berlin, WI (US); **Dallas Lind Reinert**, Germantown, WI (US); **Nichalos Lee Schultz**, Lindenhurst, IL (US); **Alan John Stager**, Waukesha, WI (US)

(73) Assignee: **NORDCO INC.**, Oak Creek, WI (US)
(**) Term: **15 Years**

(21) Appl. No.: **29/683,958**
(22) Filed: **Mar. 18, 2019**
(51) **LOC (13) Cl.** **15-03**
(52) **U.S. Cl.**
USPC **D15/28**
(58) **Field of Classification Search**
USPC D15/122, 123, 126; D8/14, 51, 71, 75
CPC E01B 29/24; E01B 29/26; E01B 29/28;
Y10T 29/49815
See application file for complete search history.

(56) **References Cited**
U.S. PATENT DOCUMENTS
5,191,840 A 3/1993 Cotic et al.
5,398,616 A 3/1995 Eidemanis et al.
7,104,200 B2* 9/2006 Hosking E01B 29/24
104/17.2
D567,605 S * 4/2008 Yu D8/29
D629,025 S * 12/2010 Greenleaf D15/128

D659,730 S * 5/2012 Cation D15/140
9,771,690 B2* 9/2017 Henke E01B 29/26
D853,808 S * 7/2019 Hyma D8/29
2015/0052730 A1* 2/2015 Dickerson E01B 29/26
29/432
2015/0053449 A1* 2/2015 Henke E01B 29/26
173/128

* cited by examiner
Primary Examiner — Philip S Hyder
(74) *Attorney, Agent, or Firm* — Greer, Burns & Crain, Ltd.

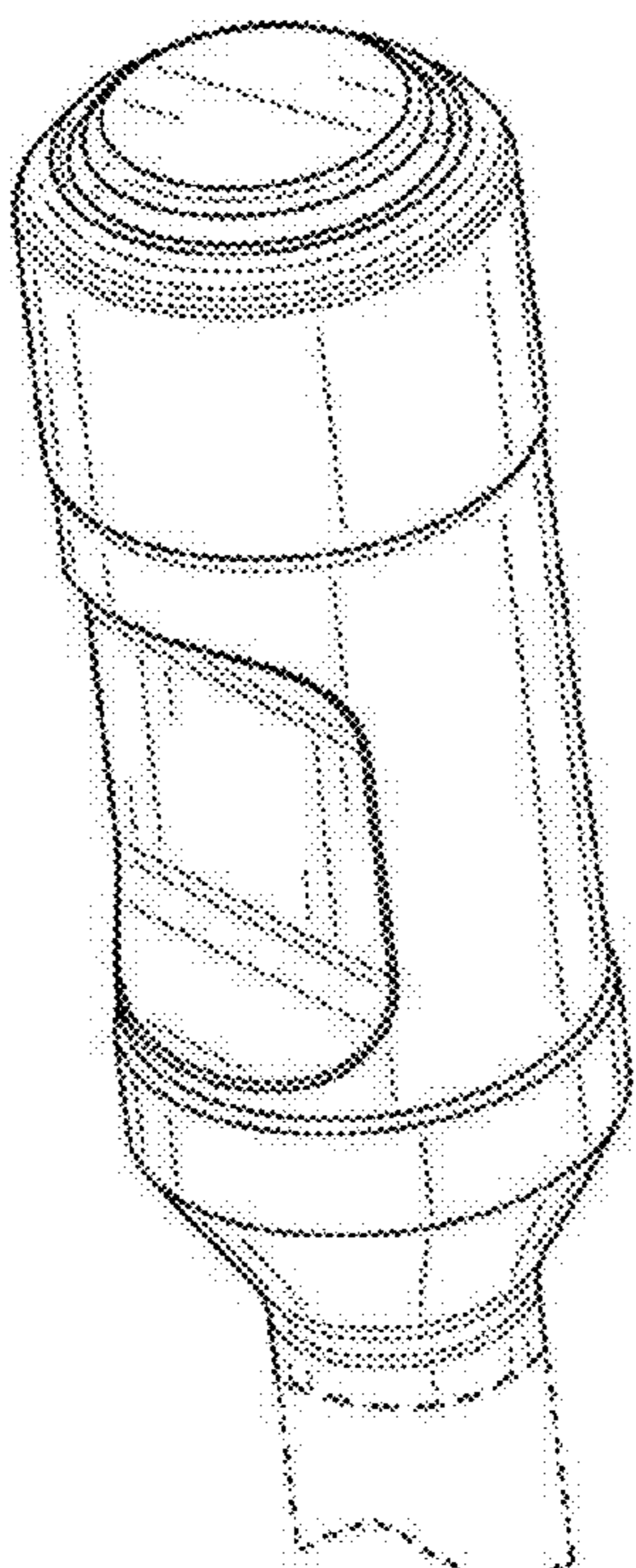
(57) **CLAIM**

The ornamental design for a spiker anvil head, as shown and described.

DESCRIPTION

FIG. 1 is a top perspective view of the present spiker anvil head;
FIG. 2 is a front view of same;
FIG. 3 is a rear view of the spiker anvil head of FIG. 1;
FIG. 4 is a left side view of same;
FIG. 5 is a right side view of the spiker anvil head of FIG. 1;
FIG. 6 is a top view of same; and,
FIG. 7 is a bottom view of the spiker anvil head of FIG. 1.
The broken lines depict portions of the spiker anvil head in which the design is embodied that are not considered part of the claimed design.

1 Claim, 4 Drawing Sheets



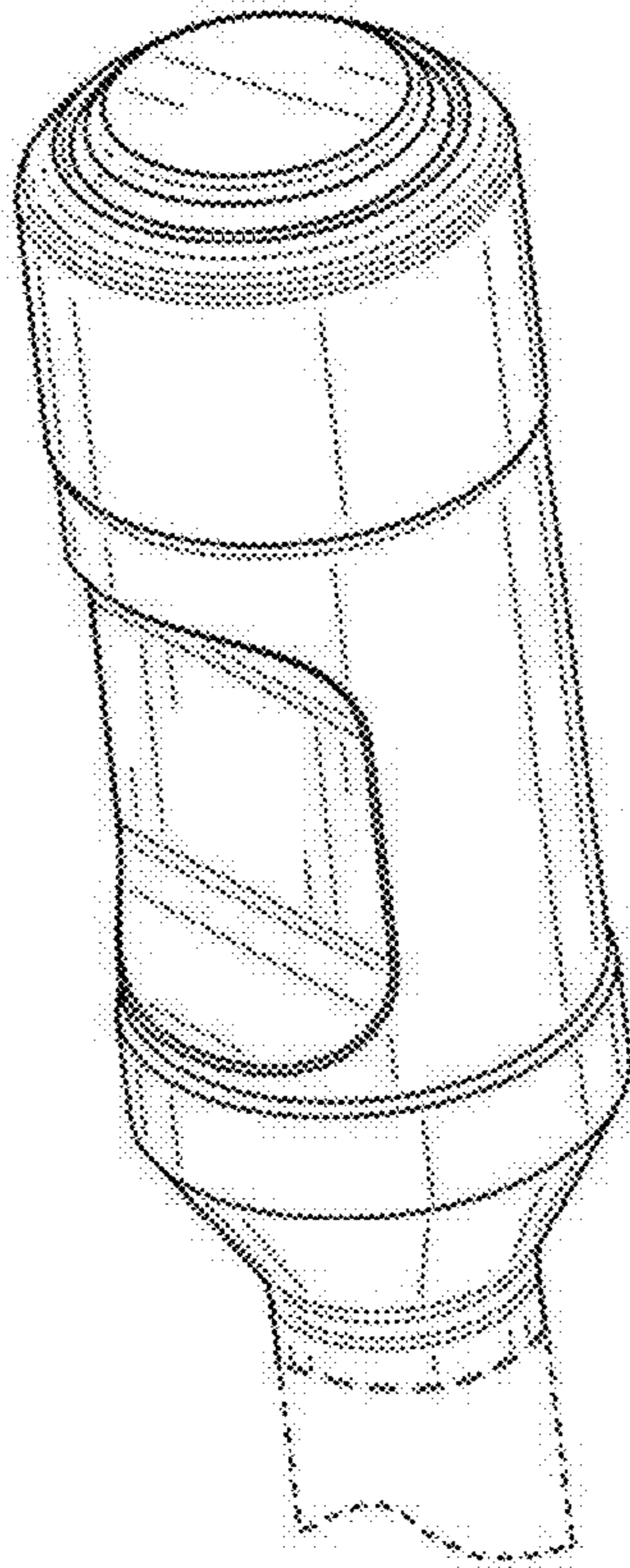


FIG. 1

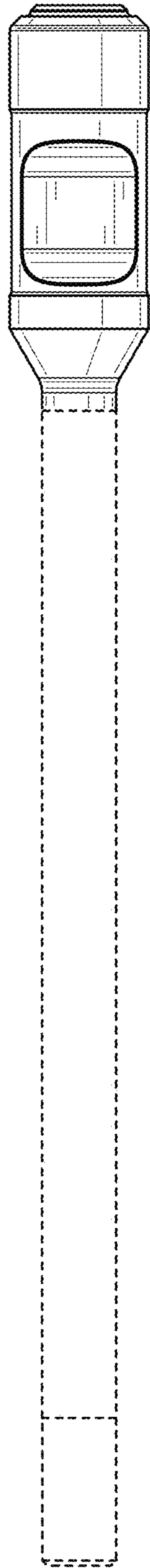


FIG. 2

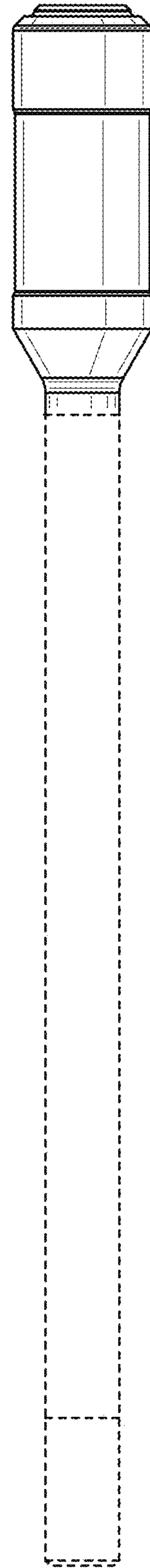


FIG. 3

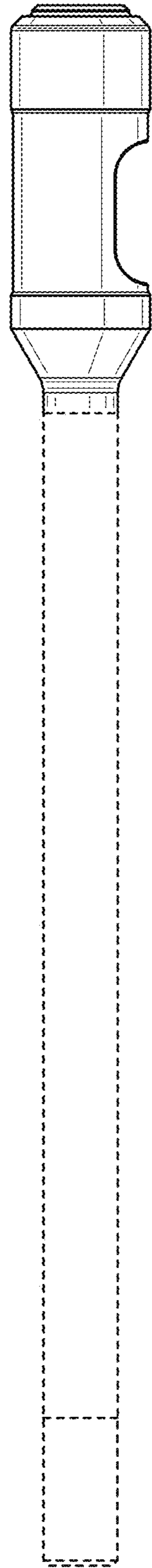


FIG. 4

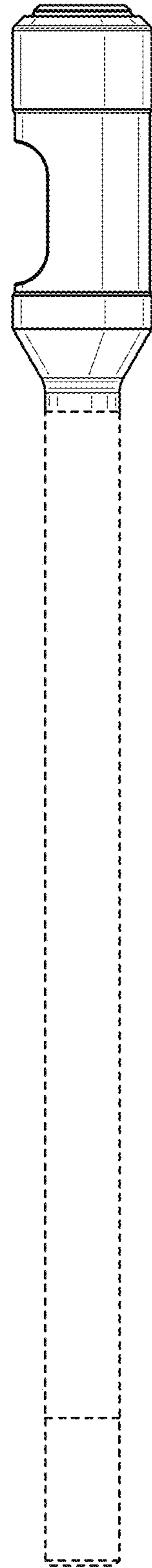


FIG. 5

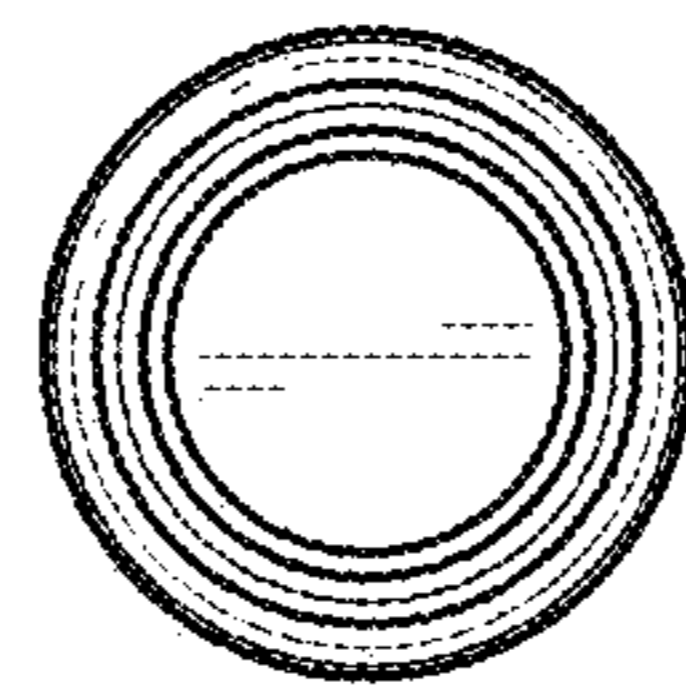


FIG. 6

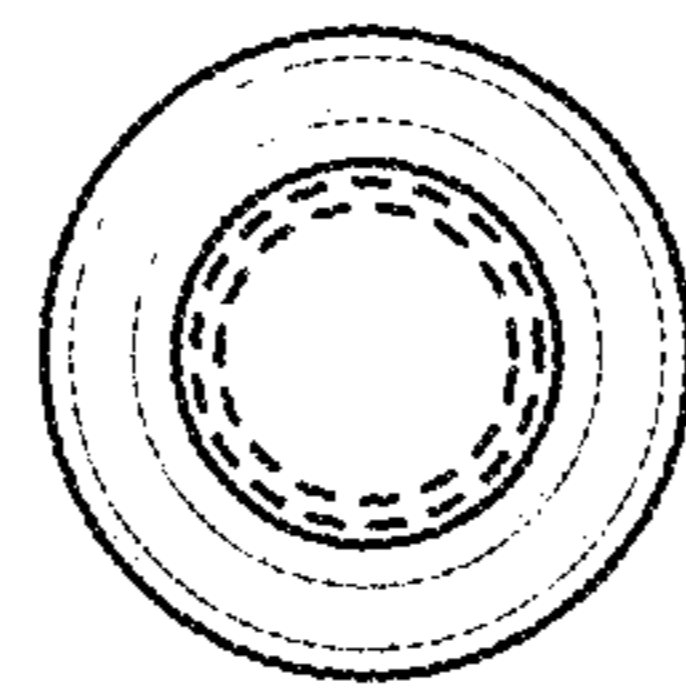


FIG. 7