



US00D926823S

(12) **United States Design Patent** (10) **Patent No.:** **US D926,823 S**  
**Hemry et al.** (45) **Date of Patent:** **\*\* Aug. 3, 2021**

- (54) **DOOR OF A COMPACTOR**
- (71) Applicant: **Caterpillar Paving Products Inc.**,  
Brooklyn Park, MN (US)
- (72) Inventors: **Michael S. Hemry**, Maple Grove, MN  
(US); **Michael W. Ries**, Andover, MN  
(US); **Paco Romero**, Brooklyn Park,  
MN (US)
- (73) Assignee: **Caterpillar Paving Products Inc.**,  
Brooklyn Park, MN (US)
- (\*\*) Term: **15 Years**
- (21) Appl. No.: **29/738,557**
- (22) Filed: **Jun. 18, 2020**

- D611,506 S 3/2010 Loew et al.
- D668,269 S 10/2012 Tezuka et al.
- D668,694 S 10/2012 Tezuka et al.
- D676,463 S 2/2013 Ewringmann et al.
- D694,278 S 11/2013 Ewringmann
- D694,279 S 11/2013 Ewringmann
- D699,764 S 2/2014 Loew et al.
- D720,779 S 1/2015 Loew et al.
- D728,629 S 5/2015 Loew
- D749,142 S 2/2016 Erdmann et al.
- D749,143 S 2/2016 Erdmann et al.
- D765,735 S 9/2016 Roemer et al.
- D789,424 S 6/2017 Roemer et al.
- D796,557 S 9/2017 Loew et al.
- D800,792 S 10/2017 Loew et al.
- D800,793 S 10/2017 Loew et al.
- D800,794 S 10/2017 Loew et al.
- D800,795 S 10/2017 Loew et al.

(Continued)

*Primary Examiner* — Mark A Goodwin  
(74) *Attorney, Agent, or Firm* — Finnegan, Henderson,  
Farabow, Garrett & Dunner, LLP.

**Related U.S. Application Data**

- (63) Continuation of application No. 29/688,129, filed on  
Apr. 18, 2019, now Pat. No. Des. 896,283.
- (51) **LOC (13) Cl.** ..... **15-03**
- (52) **U.S. Cl.**  
USPC ..... **D15/20**
- (58) **Field of Classification Search**  
USPC ..... D15/10, 20, 22–26, 28, 30, 33; 180/20,  
180/89.12; 280/104, 124.11; 404/122,  
404/132, 125, 90  
CPC ..... E02D 3/026; E02D 3/00; E02D 3/074;  
B30B 15/00; E01C 19/27; E01C 19/41;  
E01C 19/22; E01C 19/38; E01C 19/286;  
E01C 19/4853; E01C 19/238  
See application file for complete search history.

(57) **CLAIM**

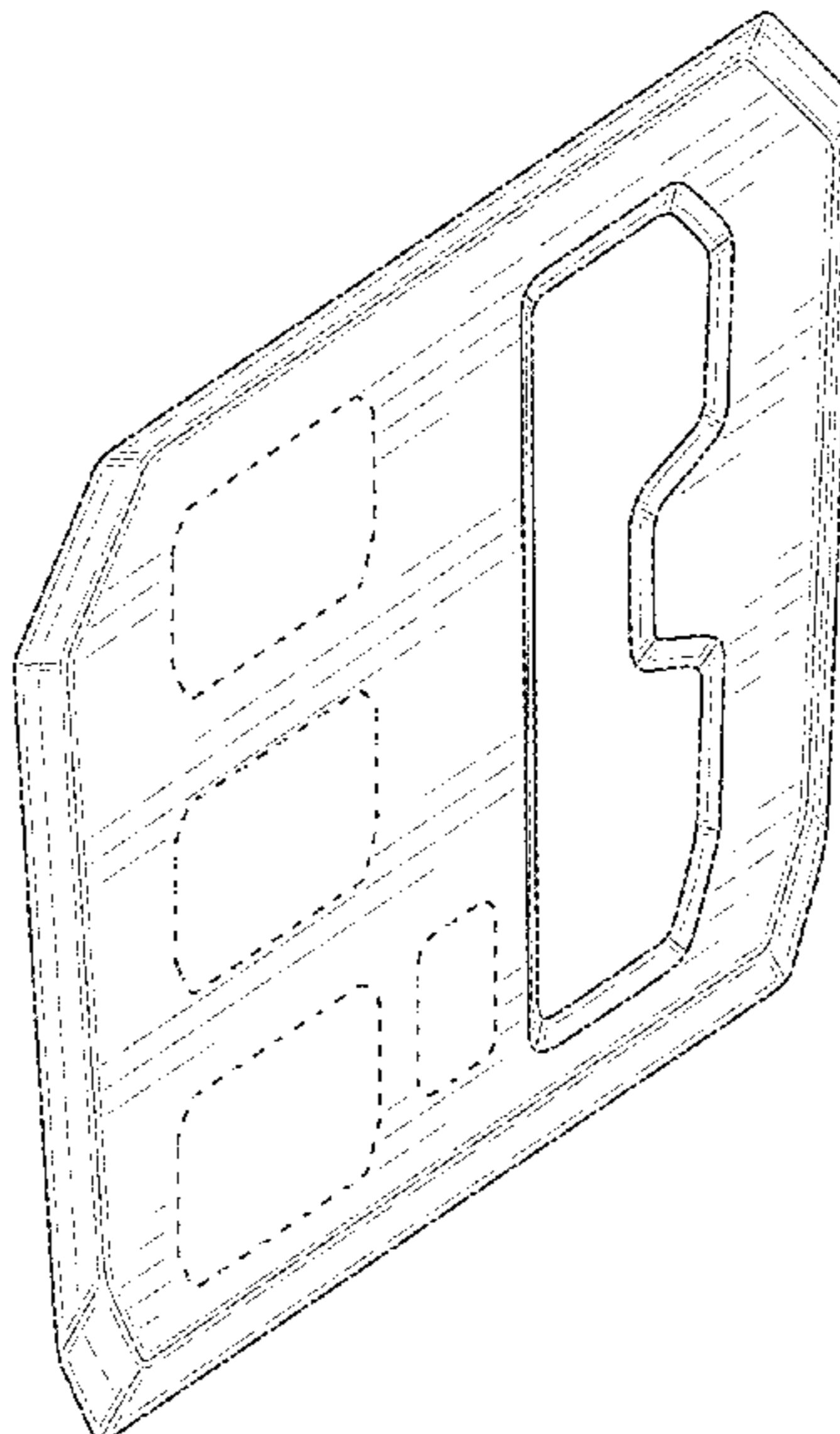
The ornamental design for a door of a compactor, as shown  
and described.

**DESCRIPTION**

FIG. 1 is a front, top, left perspective view of a door of a  
compactor showing the new design;  
FIG. 2 is rear, top, right perspective view thereof;  
FIG. 3 is front elevation view thereof;  
FIG. 4 is rear elevation view thereof;  
FIG. 5 is left side elevation view thereof;  
FIG. 6 is right side view thereof;  
FIG. 7 is top plan view thereof; and,  
FIG. 8 is bottom plan view thereof.  
The claimed design includes the mirror image of the designs  
depicted in FIGS. 1 to 8. The broken lines of even length  
shown in the drawings illustrate portions of the door of the  
compactor that form no part of the claimed design.

- (56) **References Cited**  
U.S. PATENT DOCUMENTS  
D396,431 S 7/1998 Lindgren et al.  
D516,094 S 2/2006 Dötsch et al.  
D611,505 S 3/2010 Loew et al.

**1 Claim, 8 Drawing Sheets**

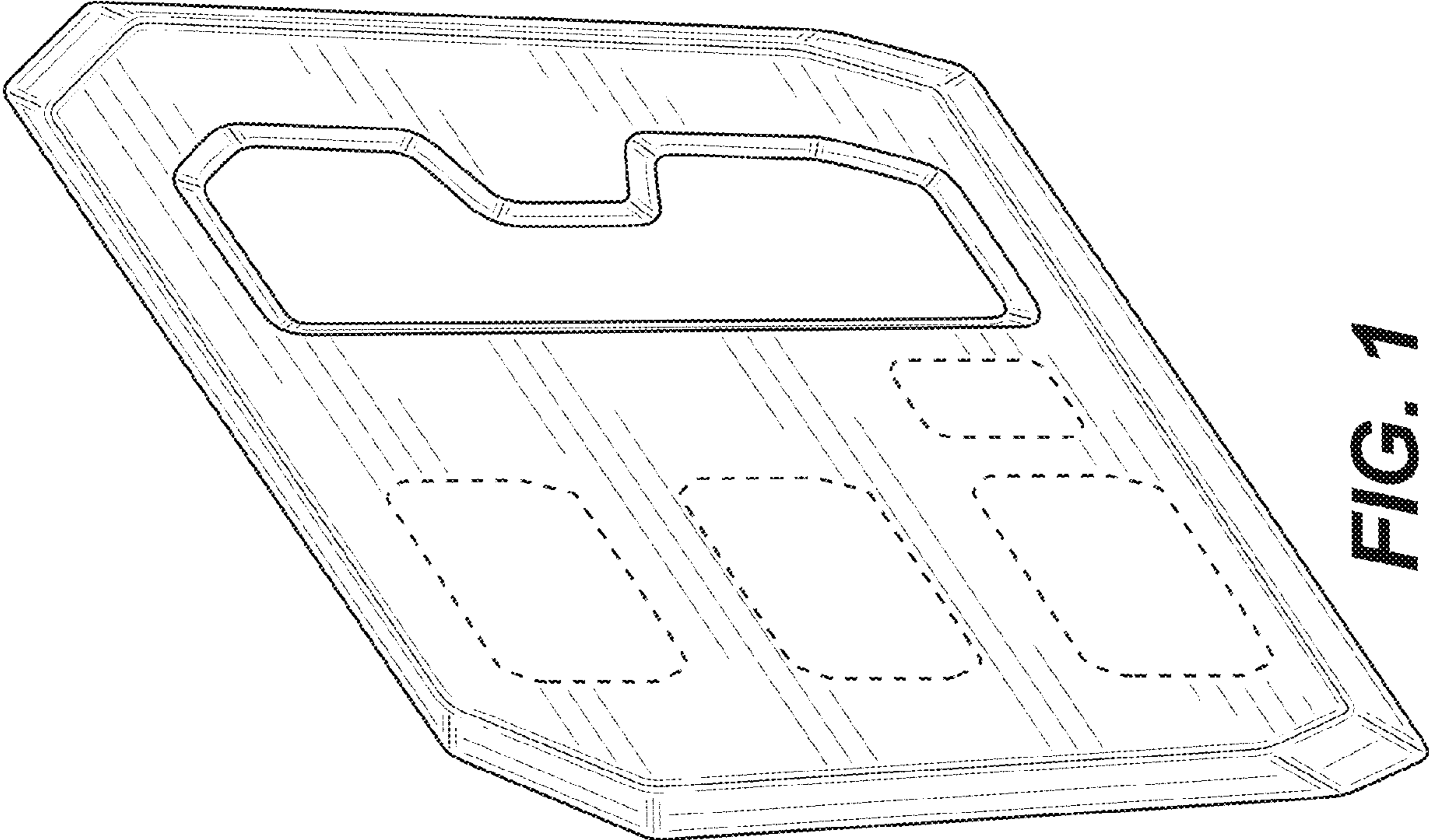


(56)

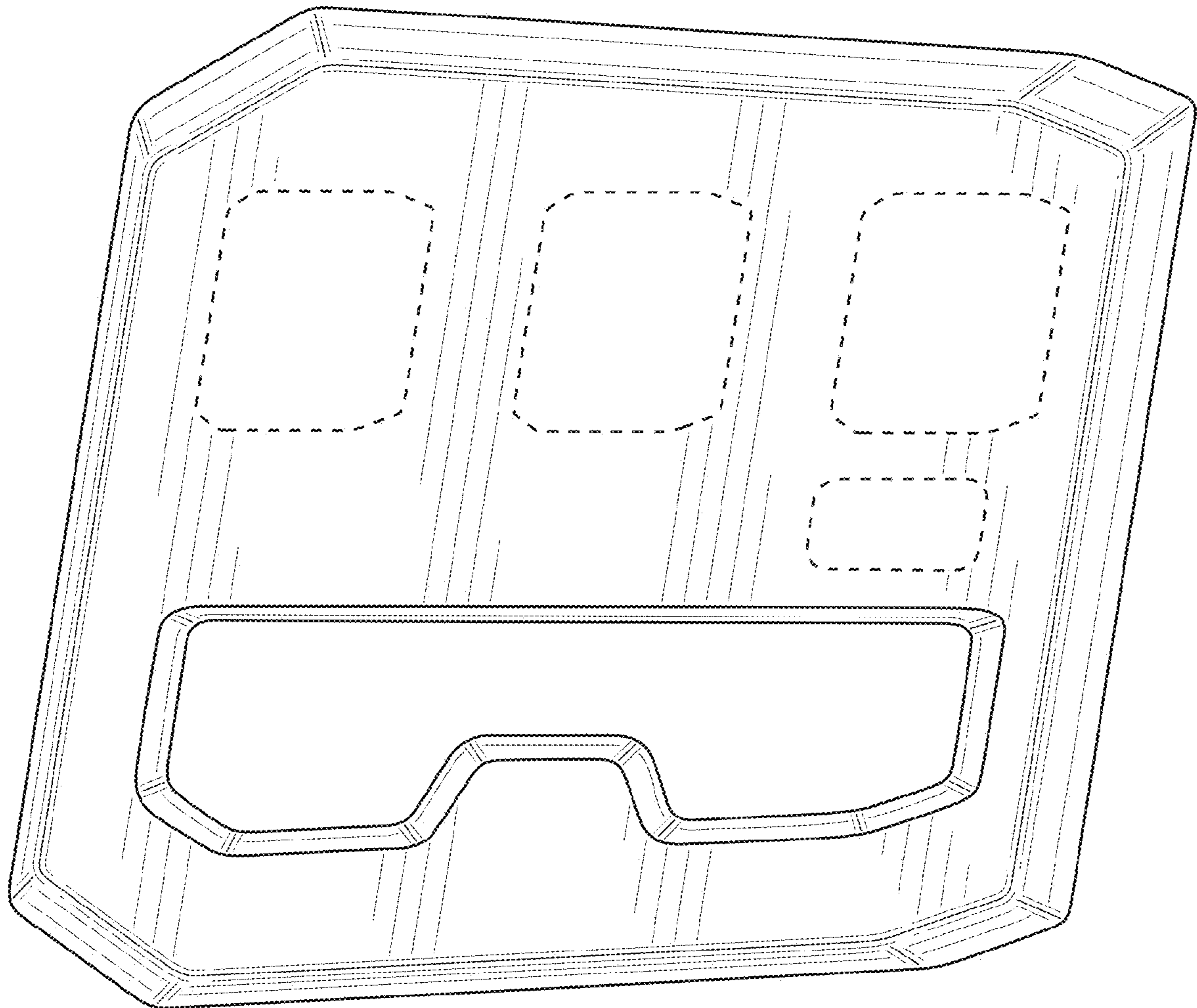
**References Cited**

U.S. PATENT DOCUMENTS

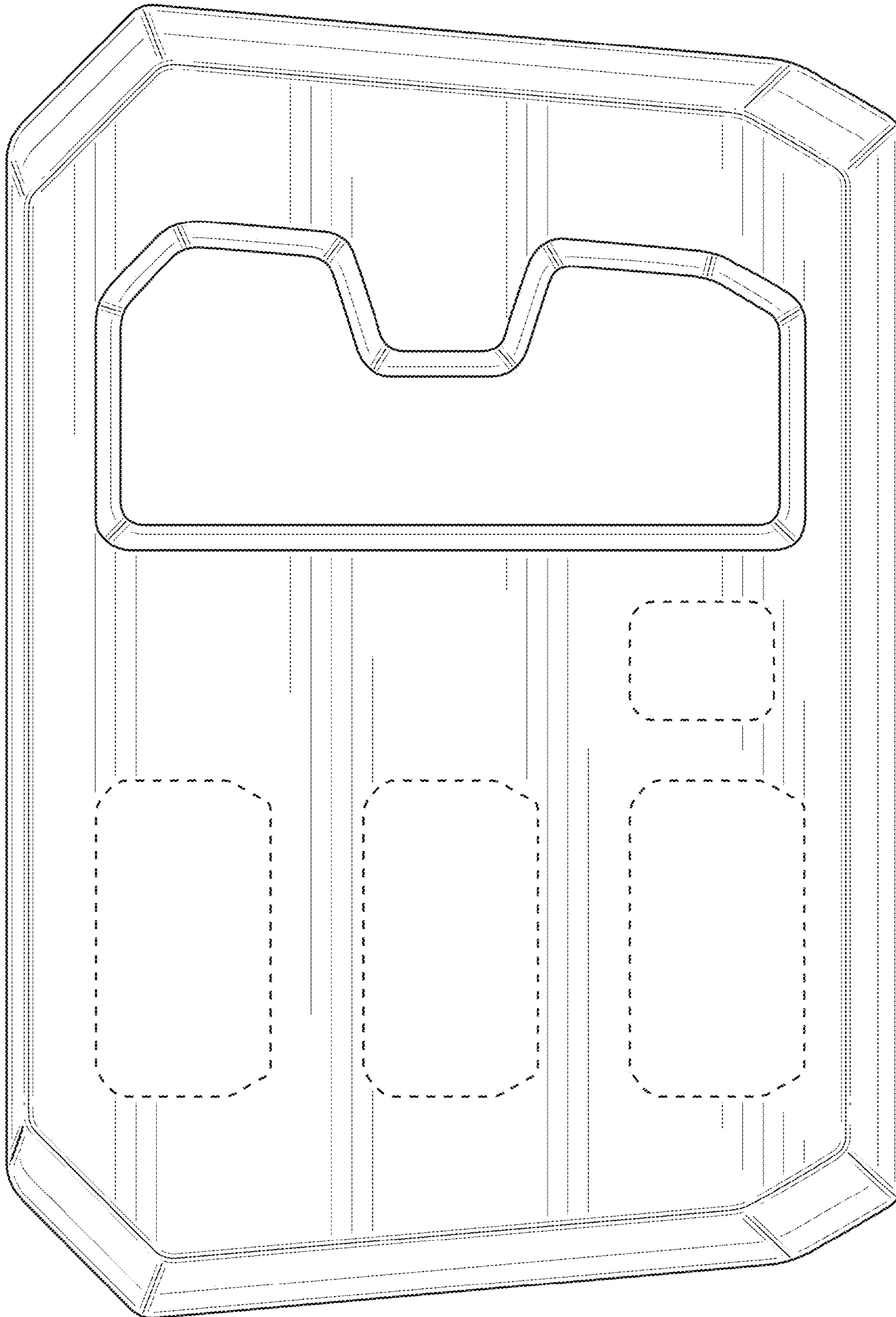
D819,704 S	6/2018	Loew et al.
D853,450 S	7/2019	Loew
D853,451 S	7/2019	Loew



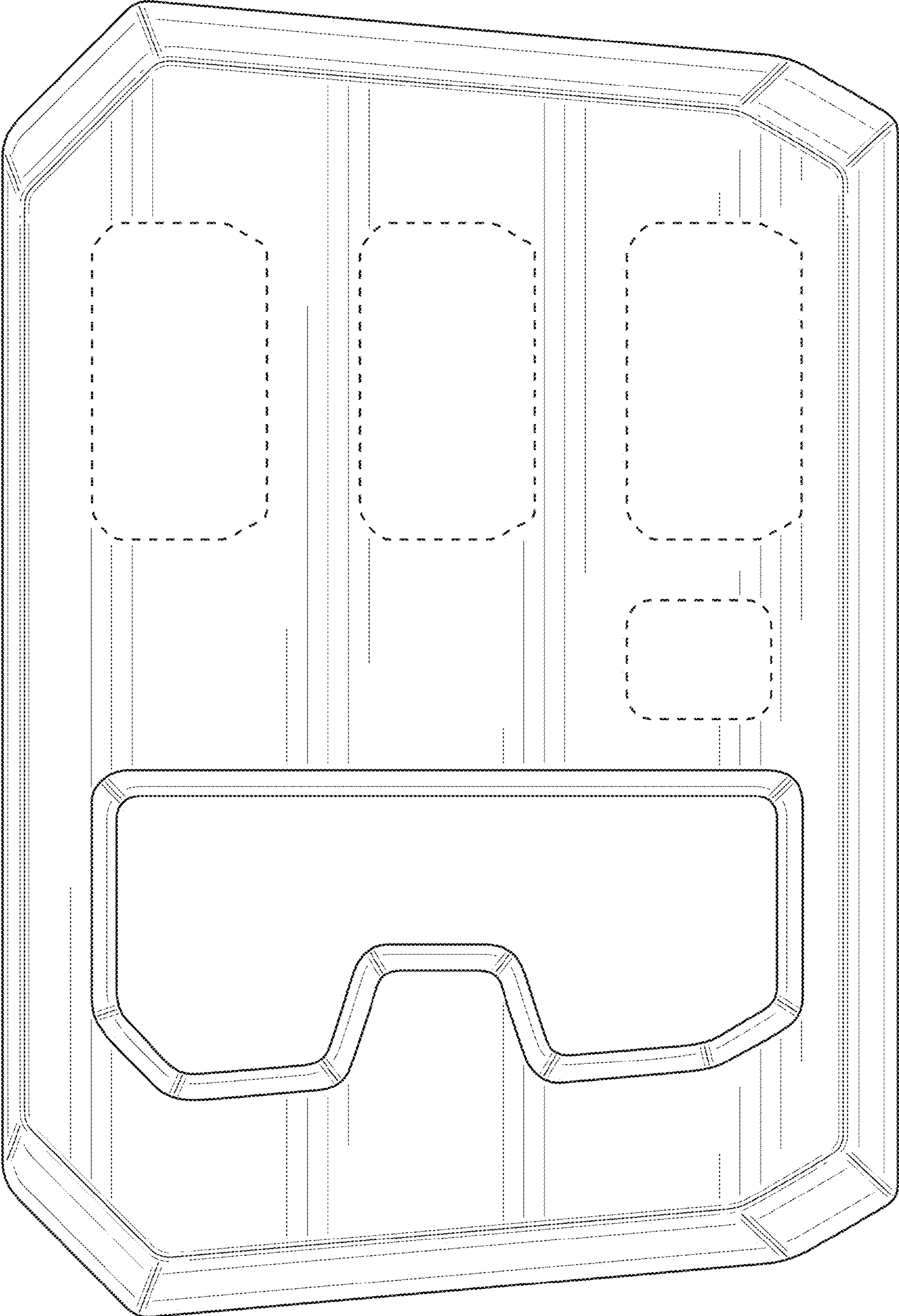
**FIG. 1**



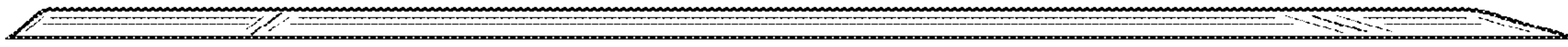
**FIG. 2**



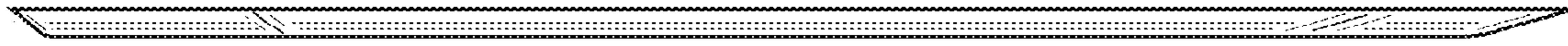
**FIG. 3**



**FIG. 4**



**FIG. 5**

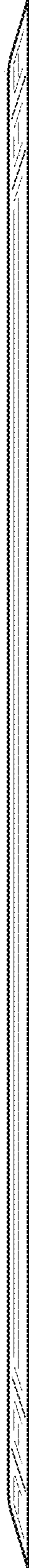


**FIG. 6**





**FIG. 7**



**FIG. 8**