



US00D926822S

(12) **United States Design Patent**
Brouillet

(10) **Patent No.:** **US D926,822 S**

(45) **Date of Patent:** **** Aug. 3, 2021**

(54) **PUMP COVER**

(71) Applicant: **EXEL INDUSTRIES**, Epernay (FR)

(72) Inventor: **Cyril Brouillet**, Paris (FR)

(73) Assignee: **Exel Industries**, Epernay (FR)

(**) Term: **15 Years**

(21) Appl. No.: **35/509,022**

(22) Filed: **Jul. 12, 2019**

(80) **Hague Agreement Data**

Int. Filing Date: **Jul. 12, 2019**

Int. Reg. No.: **DM/206907**

Int. Reg. Date: **Jul. 12, 2019**

Int. Reg. Pub. Date: **Apr. 10, 2020**

(30) **Foreign Application Priority Data**

Apr. 18, 2019 (EM) 006381398

(51) **LOC (13) Cl.** **15-03**

(52) **U.S. Cl.**

USPC **D15/7**

CPC **F02M 37/04** (2013.01)

(58) **Field of Classification Search**

USPC D15/7-9; D23/231, 232, 225; 417/235,
417/265, 321, 355, 358, 363, 359, 410.1,
417/415, 416, 900, 88, 89, 91, 269, 539;
60/408, 412; 184/26-37; 415/140-147,
415/214.1; 123/495, 509

CPC F02M 37/04; F02M 37/14; F04B 53/92;
F04B 1/005; F04D 13/02; F04D 13/06;
F04D 29/22; F04D 29/046; F04D
29/2266

See application file for complete search history.

(56) **References Cited**

U.S. PATENT DOCUMENTS

D436,603 S * 1/2001 Mackie D15/9

D500,769 S * 1/2005 Montgomery D15/7

| | | | | |
|--------------|---------|-----------|-------|--------|
| D507,279 S * | 7/2005 | Harper | | D15/9 |
| D520,026 S * | 5/2006 | Hulks | | D15/9 |
| D575,802 S * | 8/2008 | Chu | | D15/9 |
| D576,178 S * | 9/2008 | Neeley | | D15/1 |
| D579,463 S * | 10/2008 | Plunk | | D15/9 |
| D585,460 S * | 1/2009 | Plunk | | D15/9 |
| D589,060 S * | 3/2009 | Metcalfe | | D15/7 |
| D602,501 S * | 10/2009 | Ton | | D15/7 |
| D606,099 S * | 12/2009 | Lawyer | | D15/7 |
| D611,504 S * | 3/2010 | Ton | | D15/7 |
| D617,347 S * | 6/2010 | Plunk | | D15/9 |
| D622,736 S * | 8/2010 | Le | | D15/7 |
| D622,739 S * | 8/2010 | Bass | | D15/9 |
| D624,562 S * | 9/2010 | Neeley | | D15/17 |
| D641,765 S * | 7/2011 | Vieira | | D15/9 |
| D698,368 S * | 1/2014 | Le | | D15/7 |
| D707,718 S * | 6/2014 | Gomez | | D15/7 |
| D744,003 S * | 11/2015 | Ton | | D15/7 |
| D788,180 S * | 5/2017 | Mantes | | D15/7 |
| D819,085 S * | 5/2018 | Ferguson | | D15/7 |
| D857,061 S * | 8/2019 | Huang | | D15/7 |
| D875,141 S * | 2/2020 | Nishida | | D15/7 |
| D906,079 S * | 12/2020 | King, Jr. | | D8/70 |

* cited by examiner

Primary Examiner — Richard E Chilcot

(74) *Attorney, Agent, or Firm* — Millen, White, Zelano & Branigan, P.C.; William F. Nixon

(57) **CLAIM**

The ornamental design for a pump cover, as shown and described.

DESCRIPTION

Figure 1.1 is a rear elevational view of a pump cover showing my new design;

Figure 1.2 is a right side elevational view thereof;

Figure 1.3 is a front elevational view thereof;

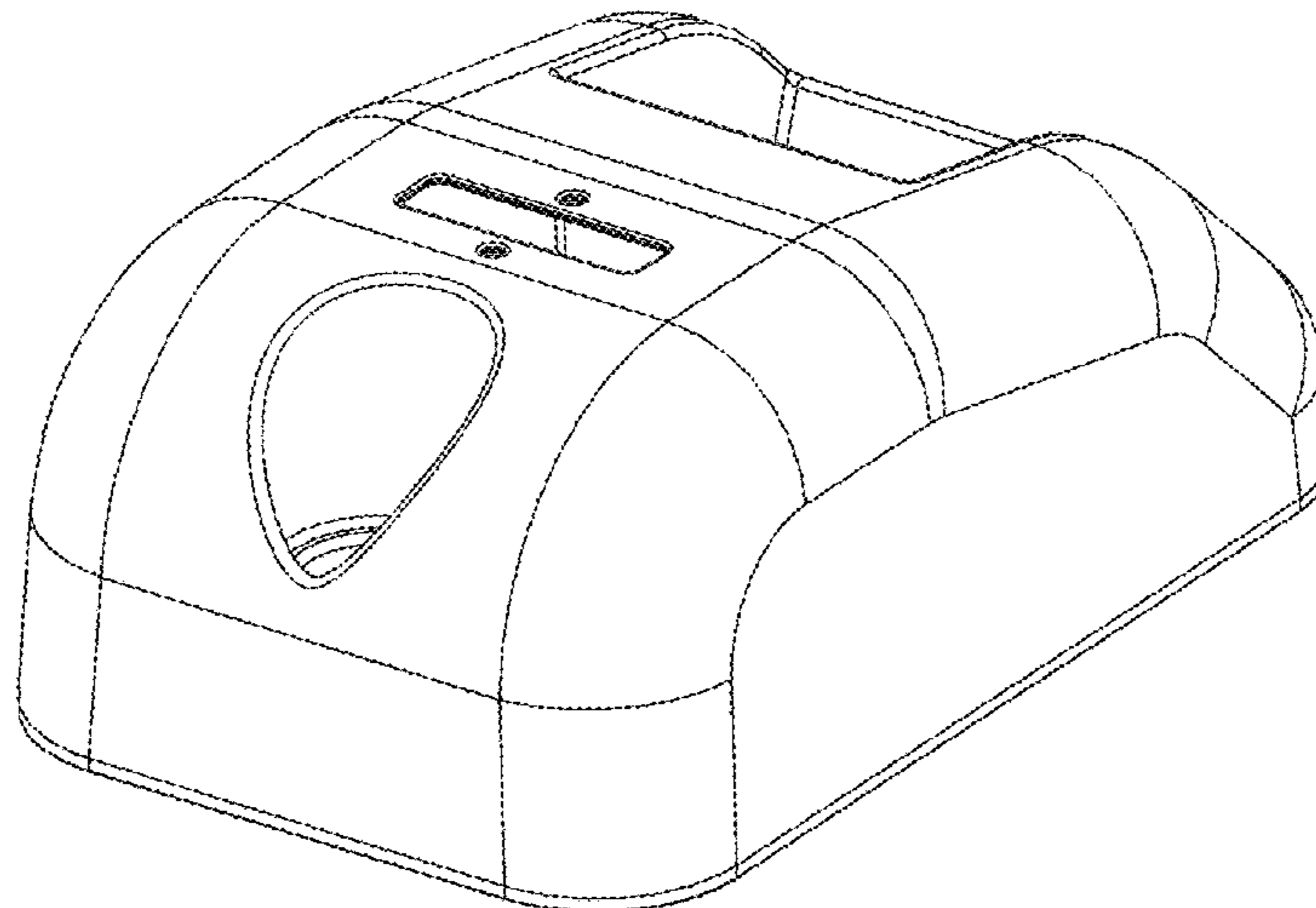
Figure 1.4 is a bottom plan view thereof;

Figure 1.5 is a left side elevational view thereof;

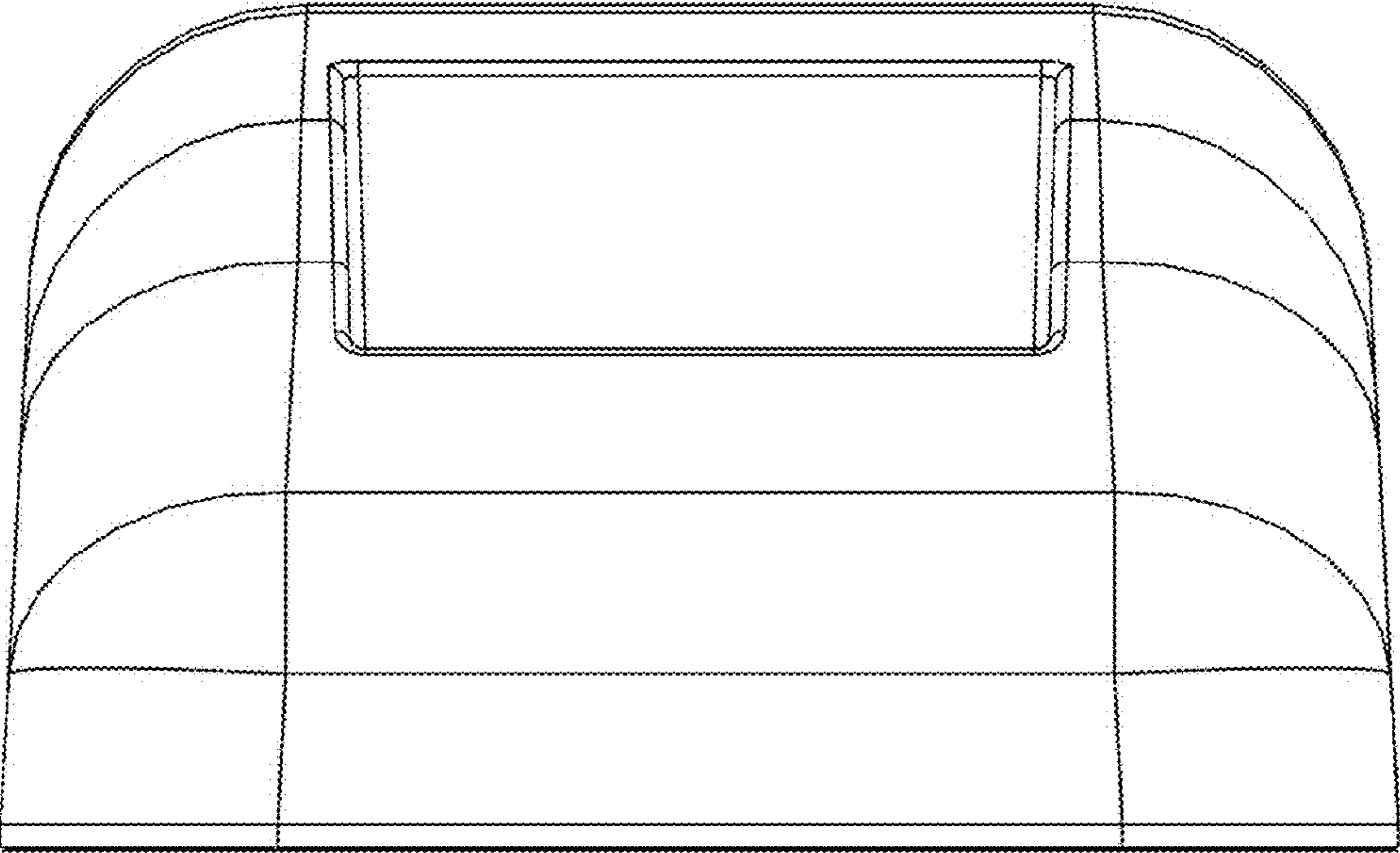
Figure 1.6 is a perspective view thereof; and

Figure 1.7 is a top plan view thereof.

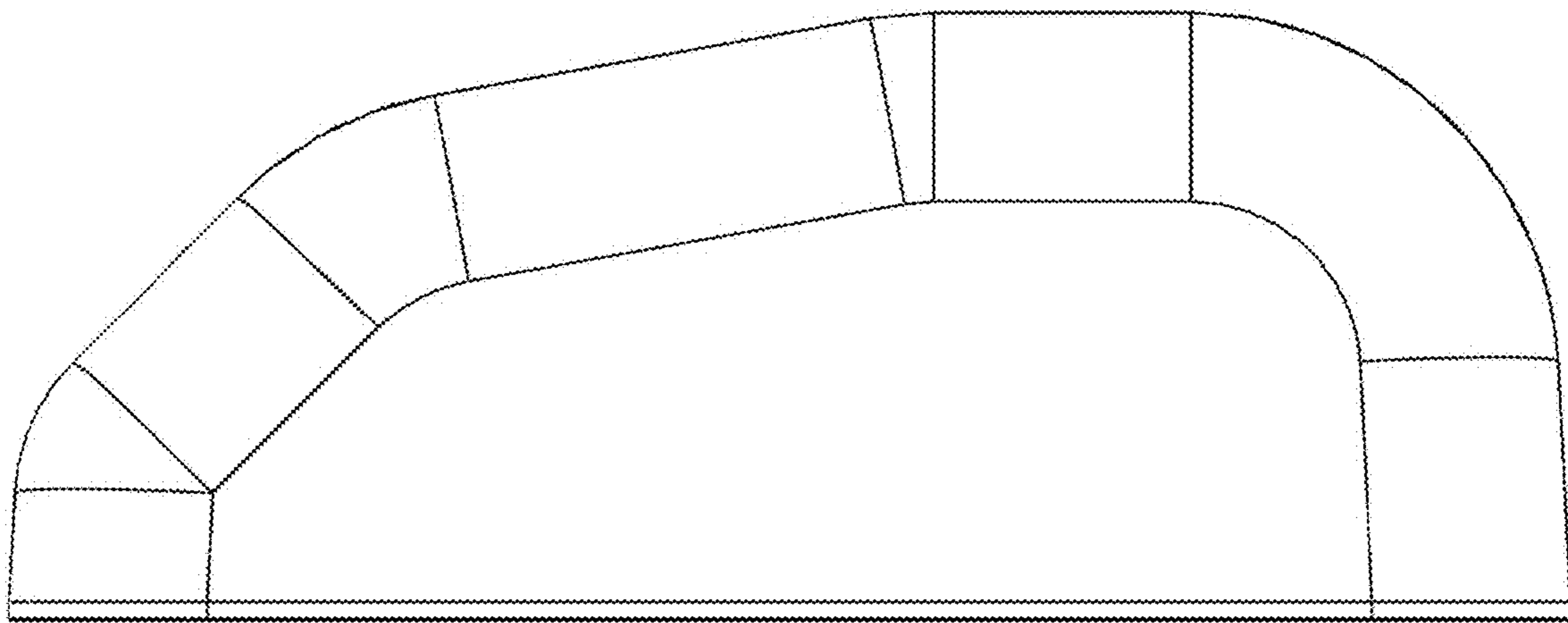
1 Claim, 7 Drawing Sheets



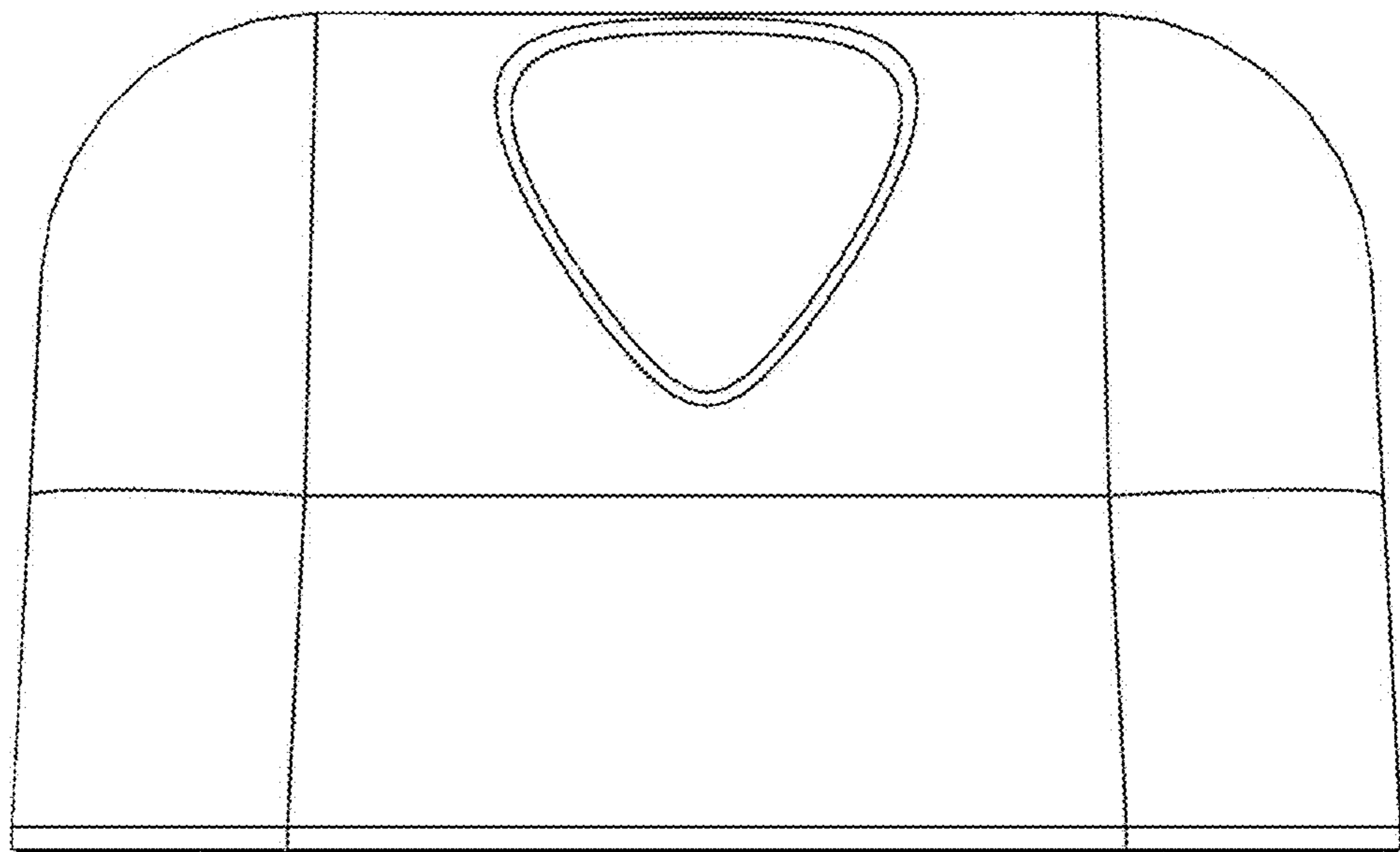
1.1



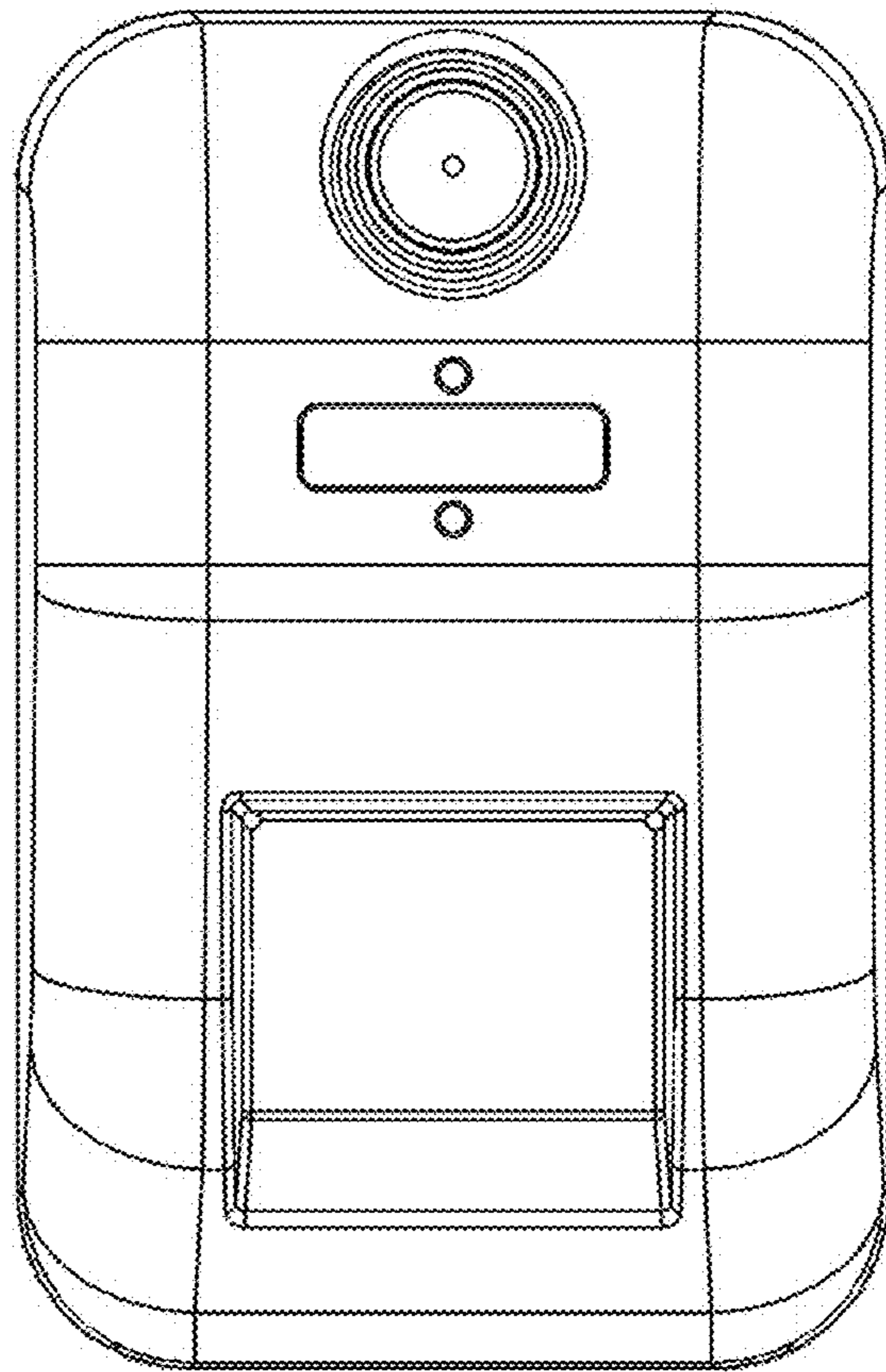
1.2



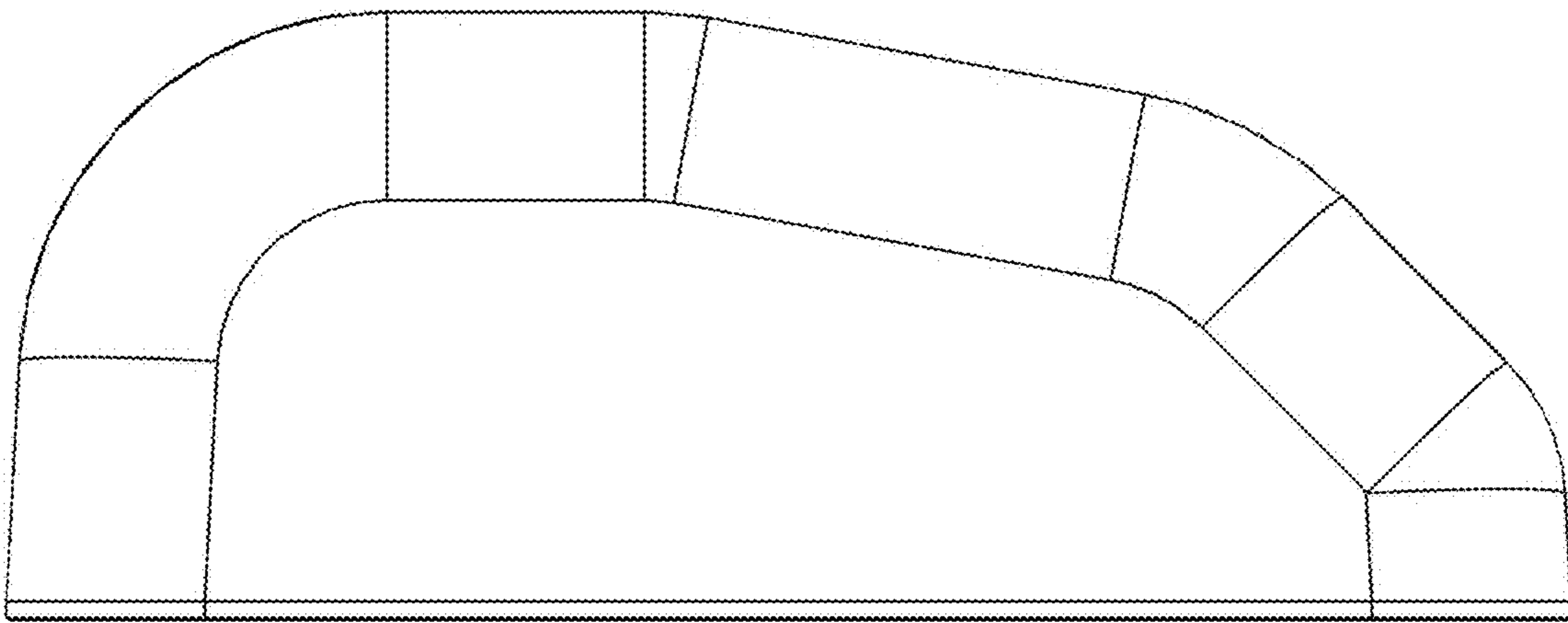
1.3



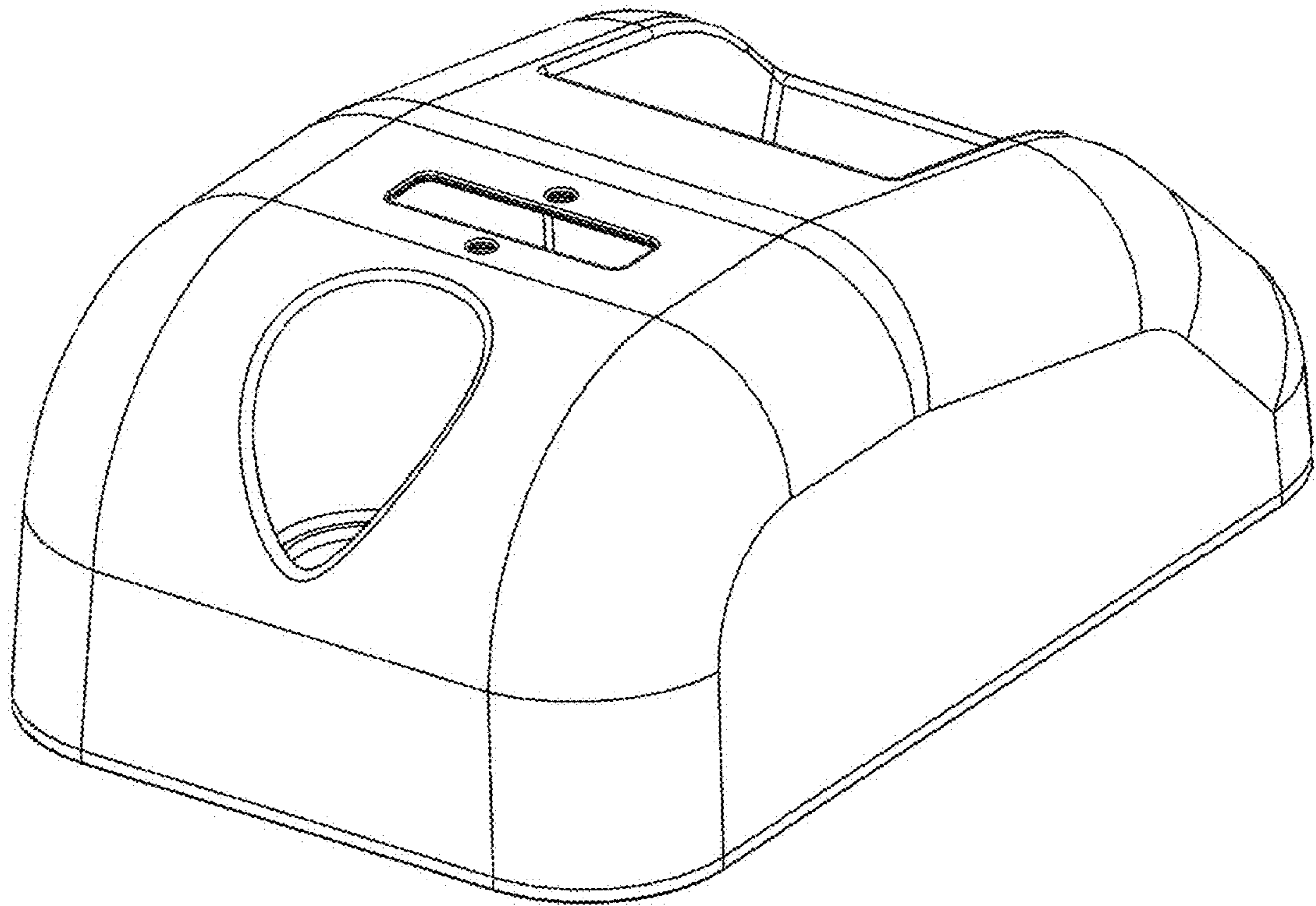
1.4



1.5



1.6



1.7

