



US00D926821S

(12) **United States Design Patent** (10) **Patent No.:** **US D926,821 S**
Bookout (45) **Date of Patent:** **** Aug. 3, 2021**

(54) **SUBMERSIBLE PUMP ASSEMBLY**
(71) Applicant: **Franklin Electric Co., Inc.**, Fort Wayne, IN (US)
(72) Inventor: **Russell Bookout**, Fort Wayne, IN (US)
(73) Assignee: **Franklin Electric Co., Inc.**, Fort Wayne, IN (US)
(**) Term: **15 Years**
(21) Appl. No.: **29/670,081**
(22) Filed: **Nov. 13, 2018**
(51) **LOC (13) Cl.** **15-02**
(52) **U.S. Cl.** **D15/7**
USPC **D15/7**
(58) **Field of Classification Search**
USPC D23/206, 213, 214, 225, 231, 232, 387, D23/421; D15/7-9, 21, 199
CPC F04D 15/0088; F04D 15/0066; F04D 15/0245; F04D 3/00; F04D 3/005; F04D 3/02; F04D 13/06; F04D 29/041; F04D 29/22; F04D 29/60; F04D 29/605; F04B 2203/0208; F04B 17/03; F04B 17/046; F04B 17/048; F04B 35/04; F04B 43/04; F04B 43/043

See application file for complete search history.

(56) **References Cited**

U.S. PATENT DOCUMENTS

1,751,703 A * 3/1930 Long F04C 2/16 418/102
2,199,490 A * 5/1940 Hait F04D 13/10 417/423.3
D194,379 S * 1/1963 Holtgrieve D15/7
D223,040 S * 2/1972 Otto D15/7
3,771,914 A * 11/1973 Crespo F04D 29/607 417/360

4,627,489 A * 12/1986 Reed H01R 13/523 166/65.1
D292,978 S * 12/1987 Hansen D15/7
D400,210 S * 10/1998 Reynolds D15/7
D405,454 S * 2/1999 Bowen D15/7
D435,855 S * 1/2001 Donelson D15/7
D516,583 S * 3/2006 Strong D15/7
D526,664 S * 8/2006 Bowen D15/7
D576,640 S * 9/2008 Sinico D15/7
D605,664 S * 12/2009 Walter D15/7
D676,063 S * 2/2013 Soja D15/7
D735,239 S * 7/2015 Yong D15/7
D771,148 S * 11/2016 Soja D15/7
D775,236 S * 12/2016 Bruning D15/7
D809,023 S * 1/2018 Luke D15/7
D827,674 S * 9/2018 Darley D15/7
D861,734 S * 10/2019 Hanselman D15/7
D904,465 S * 12/2020 Schlenker D15/9
2007/0086906 A1 * 4/2007 Horley F04D 29/041 417/423.12

(Continued)

Primary Examiner — Sheryl Lane

Assistant Examiner — Mark T. Philipps

(74) *Attorney, Agent, or Firm* — Faegre Drinker Biddle & Reath LLP

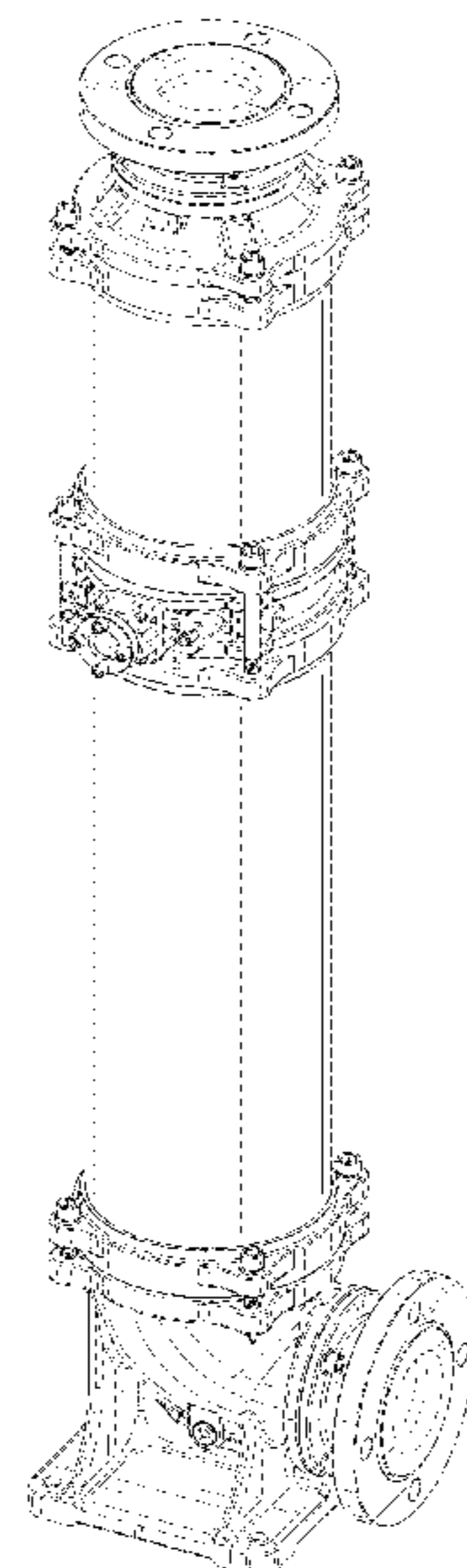
(57) **CLAIM**

The ornamental design for a submersible pump assembly, as shown and described.

DESCRIPTION

FIG. 1 is a front perspective view of a submersible pump assembly showing my new design; FIG. 2 is a front view thereof; FIG. 3 is a back view thereof; FIG. 4 is a left side view thereof; FIG. 5 is a right side view thereof; FIG. 6 is a top view thereof; and, FIG. 7 is a bottom view thereof. Broken lines illustrate portions of the submersible pump assembly that form no part of the claimed design.

1 Claim, 6 Drawing Sheets



(56)

References Cited

U.S. PATENT DOCUMENTS

2014/0039836 A1* 2/2014 Moricca E21B 43/12
702/184
2015/0098794 A1* 4/2015 Baski E21B 41/0085
415/1
2020/0362867 A1* 11/2020 Fox F04D 15/0088

* cited by examiner

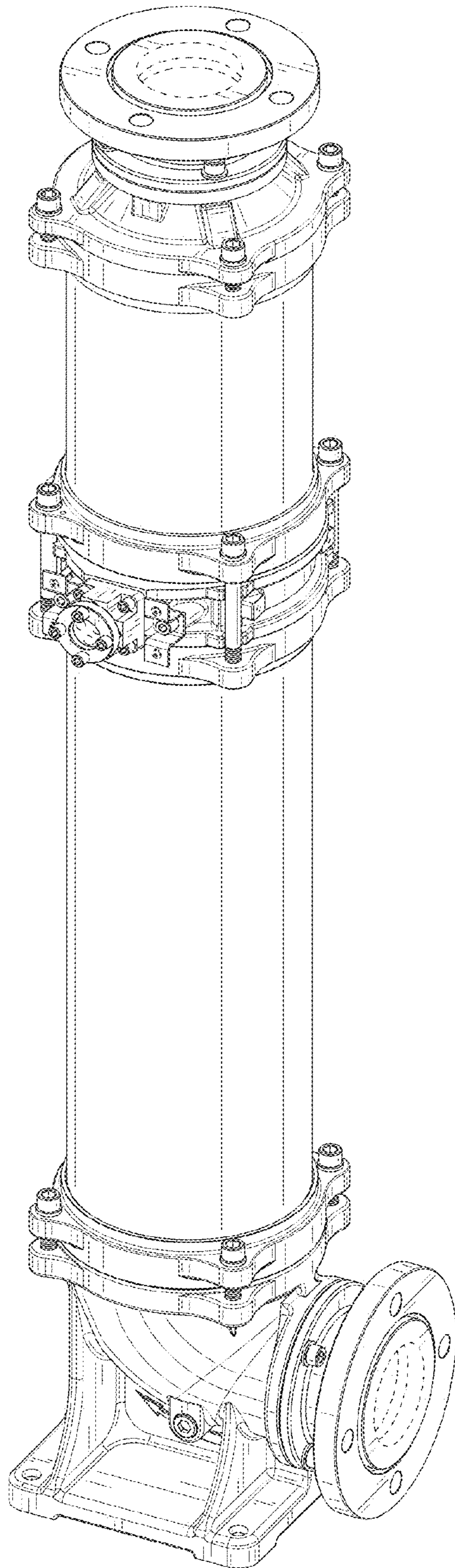


FIG. 1

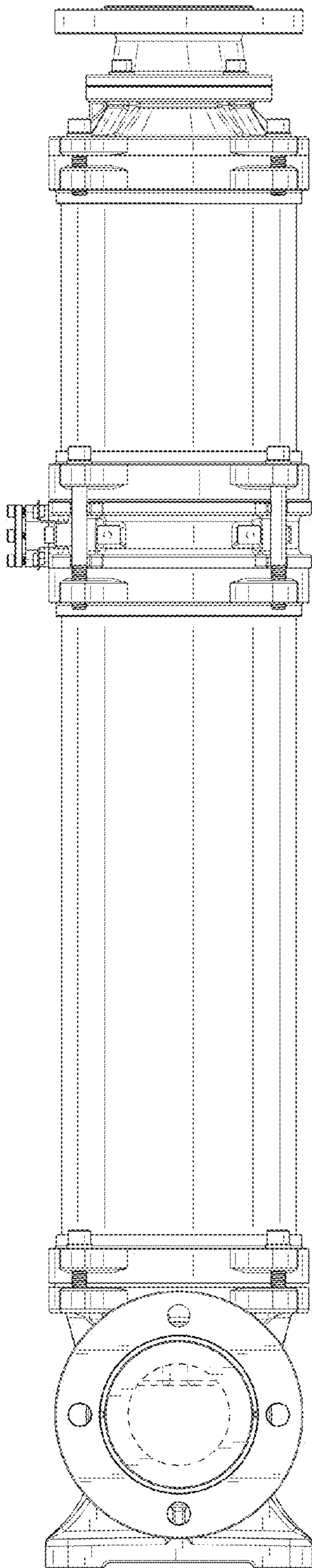


FIG. 2

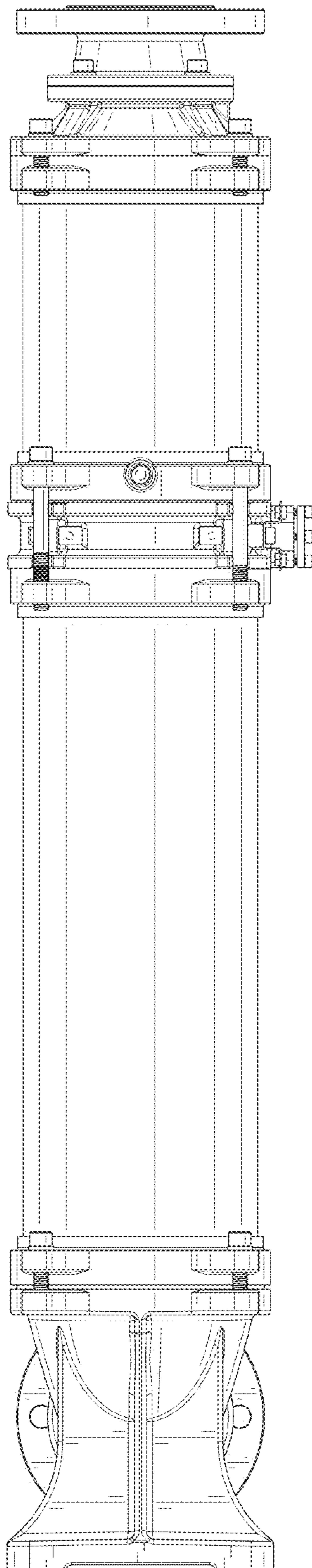


FIG. 3

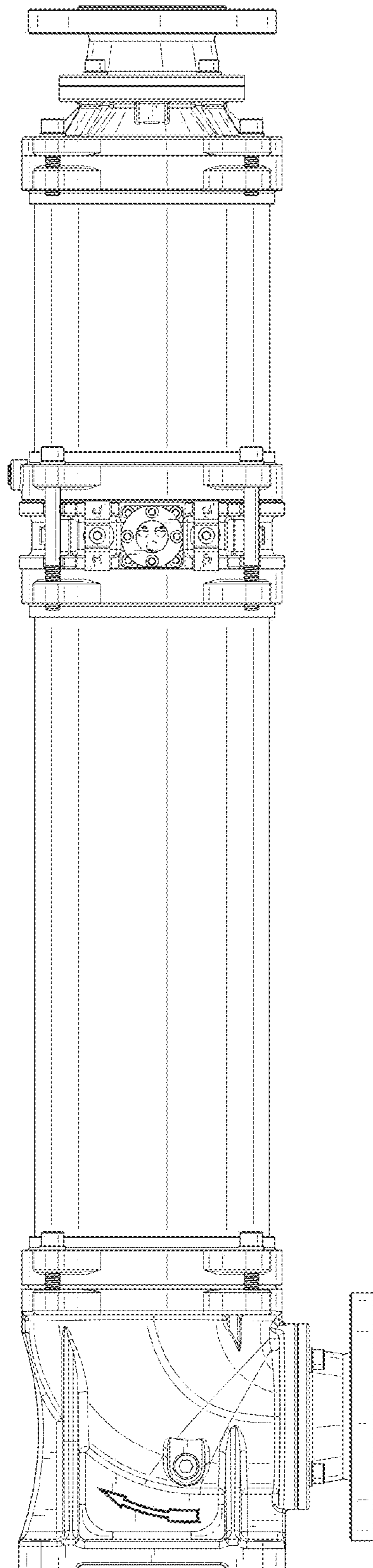


FIG. 4

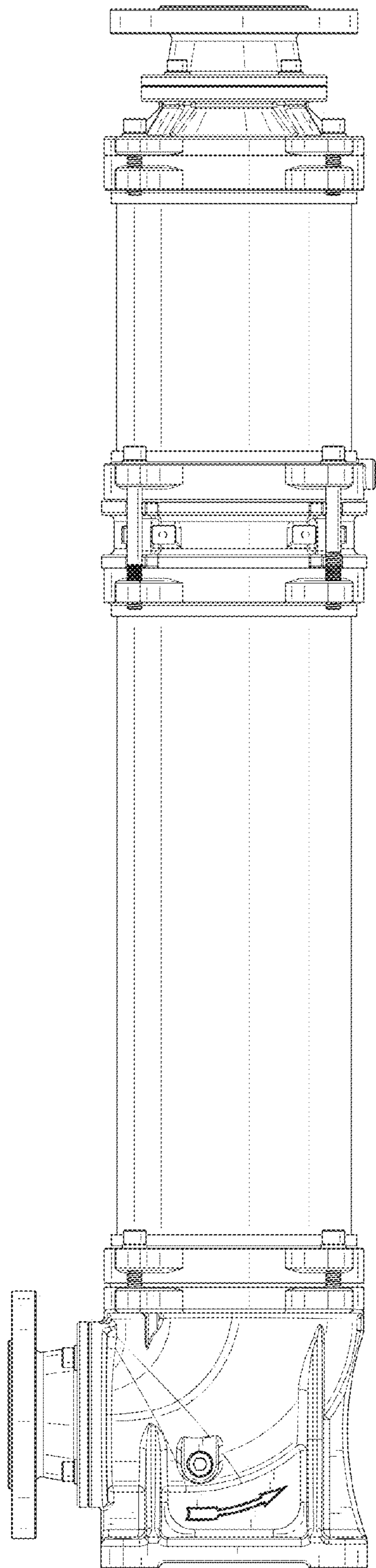


FIG. 5

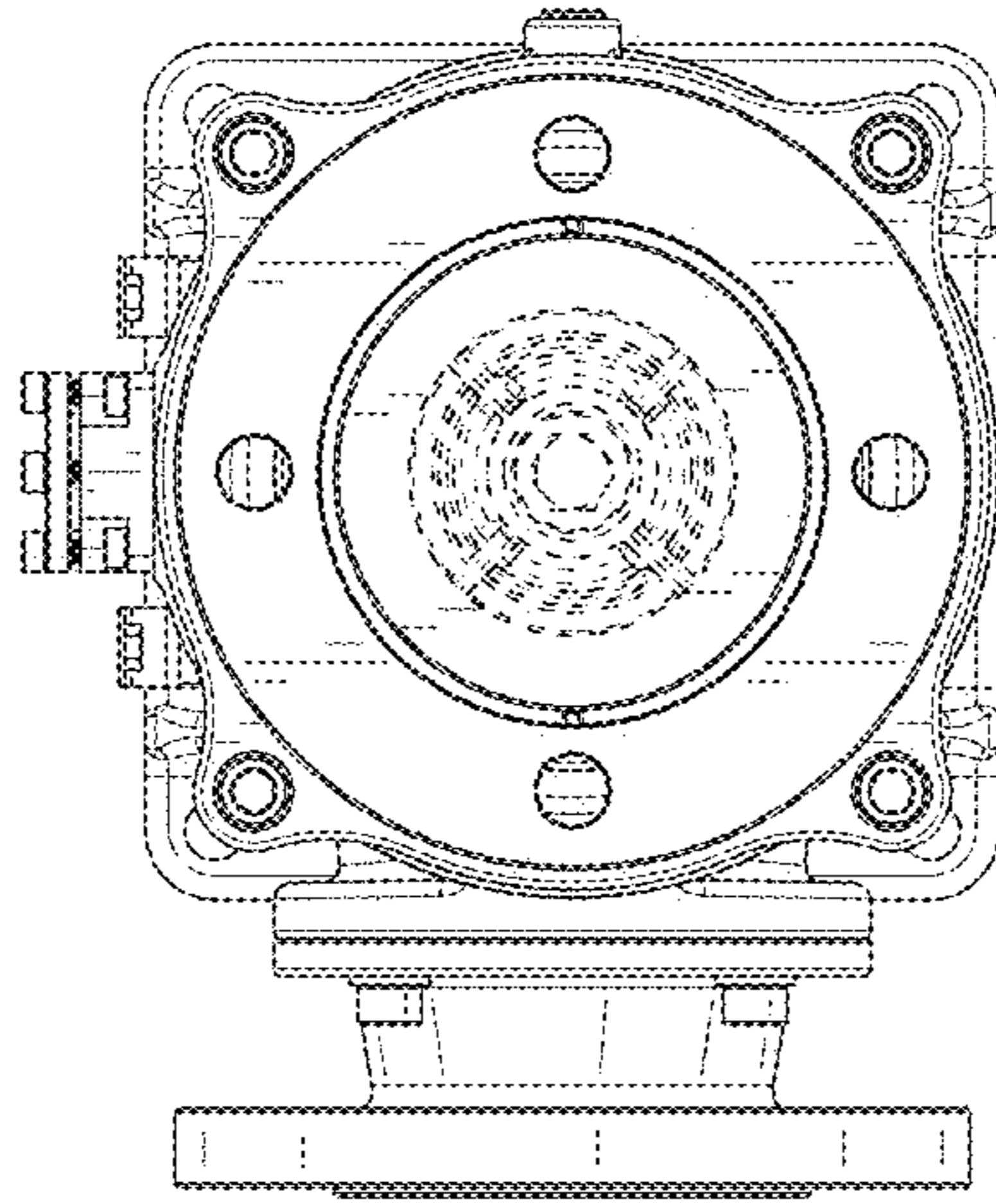


FIG. 6

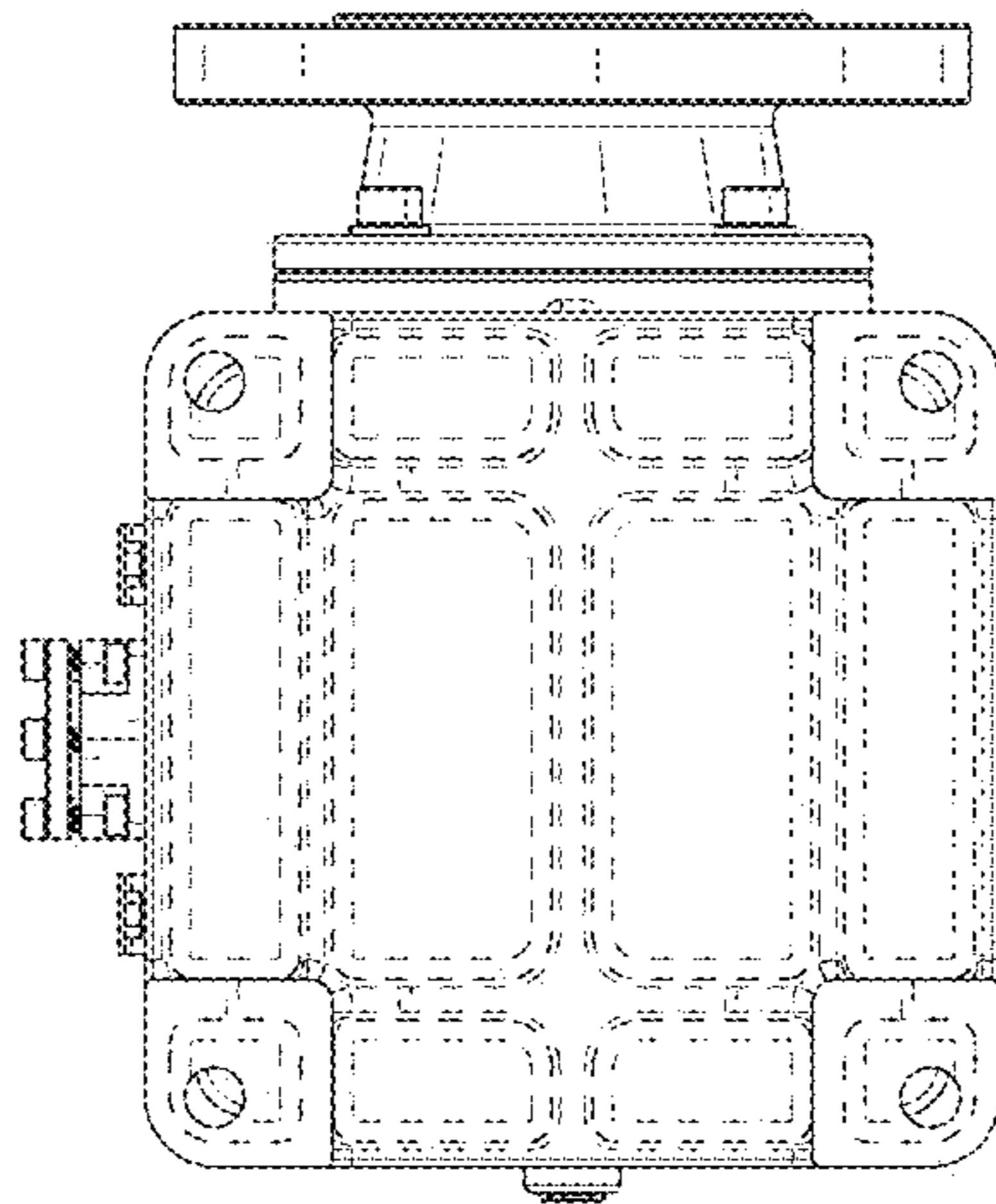


FIG. 7