



US00D926820S

(12) **United States Design Patent**
Gasman et al.

(10) **Patent No.:** **US D926,820 S**
(45) **Date of Patent:** **** Aug. 3, 2021**

(54) **PORTION OF VOLUTE CASING FOR A PUMP**

(71) Applicant: **Sulzer Management AG**, Winterthur (CH)

(72) Inventors: **Teemu Gasman**, Kotka (FI); **Matti Koivikko**, Kotka (FI); **Sami Virtanen**, Kotka (FI)

(73) Assignee: **SULZER MANAGEMENT AG**, Winterthur (CH)

(**) Term: **15 Years**

(21) Appl. No.: **29/551,965**

(22) Filed: **Jan. 19, 2016**

(30) **Foreign Application Priority Data**

Aug. 20, 2015 (EM) 002757914

(51) **LOC (13) Cl.** **15-02**

(52) **U.S. Cl.**
USPC **D15/7**

(58) **Field of Classification Search**

USPC D25/125; 415/200, 182.1; 156/153, 160; 427/299; D15/7-9; D23/231, 232, 225
CPC B29C 64/20; B29C 70/48; B29C 70/865; Y10T 156/1064; F21S 88/088; F21V 21/116; G09F 2013/0431

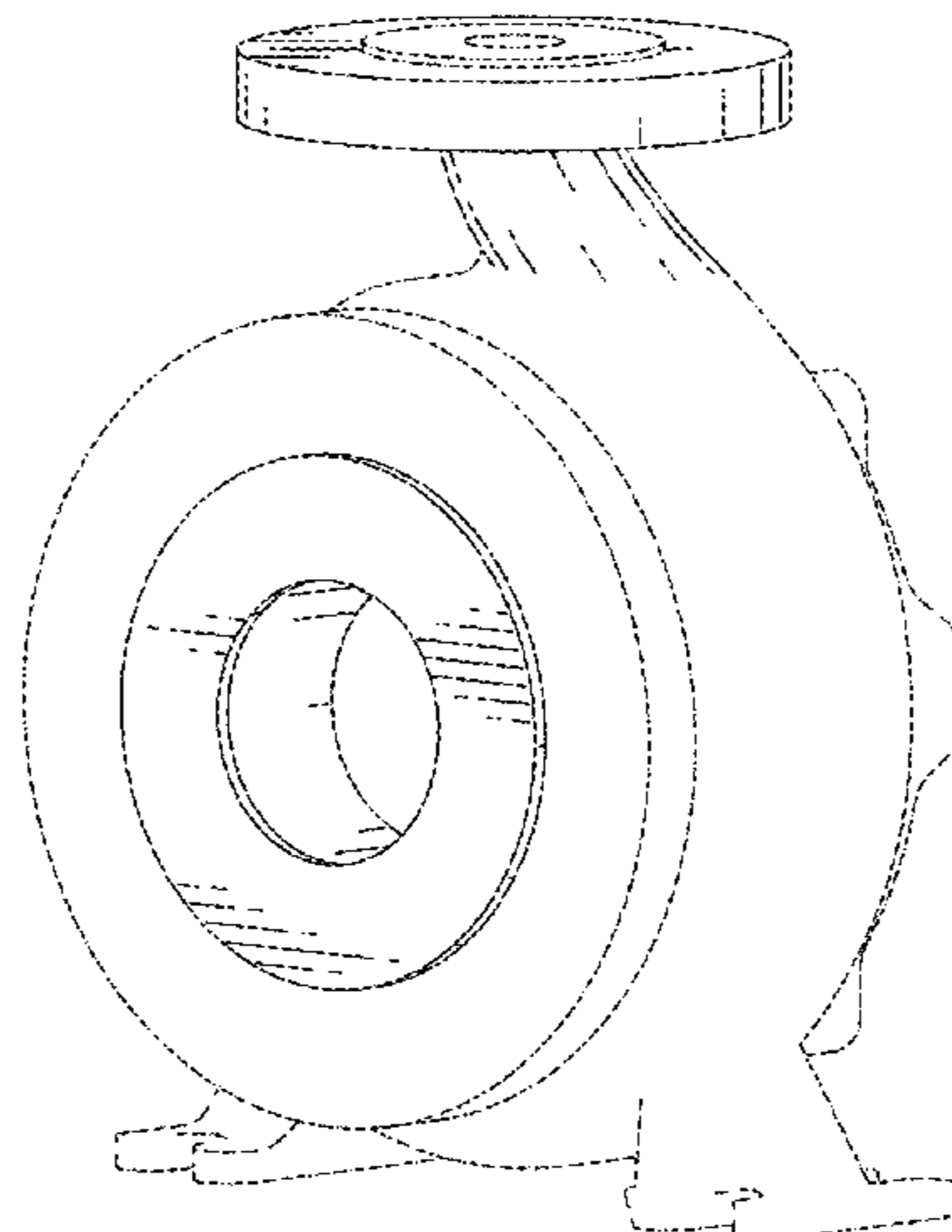
See application file for complete search history.

(56) **References Cited**

U.S. PATENT DOCUMENTS

3,016,562 A * 1/1962 Reid H02G 3/083 16/2.1
4,455,842 A * 6/1984 Granlund A01N 1/02 62/64
4,562,602 A * 1/1986 Cuschera E03C 1/22 285/136.1
D285,044 S * 8/1986 Mockett D8/349
4,883,590 A * 11/1989 Papp E03F 5/0407 210/164

4,900,222 A 2/1990 Meng et al.
4,974,998 A * 12/1990 Heineman F04D 29/4286 406/193
5,485,909 A * 1/1996 Hay F04D 5/001 198/642
D375,148 S * 10/1996 Keller D23/249
5,599,600 A * 2/1997 Rau B29C 73/04 285/917
D381,339 S * 7/1997 Wightley D15/7
5,711,581 A * 1/1998 Plumer B60B 3/145 301/35.632
5,885,065 A * 3/1999 Long F01C 21/0872 418/1
D413,377 S * 8/1999 Pauly D23/261
6,065,929 A * 5/2000 Morel F04D 29/669 415/173.1
D437,034 S * 1/2001 Stout, Jr. D23/269
6,196,257 B1 * 3/2001 Adler E03F 5/041 137/362
6,290,279 B1 * 9/2001 Haight B60R 13/07 220/235
6,687,925 B2 * 2/2004 Minnick E03F 5/0407 4/286
6,694,566 B1 * 2/2004 Mockett A47B 21/06 108/50.02
D539,117 S * 3/2007 Sealey D8/349
D545,326 S * 6/2007 Zellers D15/7
D553,238 S * 10/2007 Haggkvist D23/386
D563,206 S * 3/2008 Bakker D8/356
D576,480 S * 9/2008 Vakiener D8/397
D609,248 S * 2/2010 Foreman D15/7
D609,250 S * 2/2010 Liu D15/7
D610,165 S * 2/2010 Glaves D15/7
D616,902 S * 6/2010 Foreman D15/7
D616,966 S * 6/2010 Angell D23/262
7,735,512 B1 * 6/2010 Ismert E03F 5/0407 137/362
D626,208 S * 10/2010 Clements D23/386
D627,490 S * 11/2010 Janish D25/199
D631,142 S * 1/2011 Angell D23/262
D658,478 S * 5/2012 Wall D8/349
D659,718 S * 5/2012 Seidel D15/9
D660,691 S * 5/2012 Yamazaki D8/399
D698,017 S * 1/2014 Modesto D23/365
8,747,062 B2 * 6/2014 Burgess F04D 29/4286 415/197
8,790,077 B2 * 7/2014 Burgess F04D 29/4286 415/127
D712,156 S * 9/2014 Arvinte D4/122
D729,924 S * 5/2015 Hsiao D23/366
9,022,723 B2 * 5/2015 Leininger G01F 13/001 415/62



9,057,385	B2 *	6/2015	Burgess	F04D 29/428
D740,327	S *	10/2015	Naruoka	D15/5
D742,420	S *	11/2015	Sullivan	D15/7
9,175,464	B2 *	11/2015	Meyers	E03F 5/0408
D749,707	S *	2/2016	Kuang	D23/263
D761,398	S *	7/2016	Murphy	D23/269
D767,637	S *	9/2016	Pappathopoulos	D15/7
D771,480	S *	11/2016	Lowitz	D8/382
D780,226	S *	2/2017	Nelson	D15/7
10,066,636	B2 *	9/2018	Welschinger	F04D 29/083
D829,770	S *	10/2018	Gasman	D15/7
D836,676	S *	12/2018	Geldenhuis	D15/7
D842,904	S *	3/2019	Geldenhuis	D15/7
2007/0014662	A1 *	1/2007	Burgess	F04D 29/4286
					415/197
2011/0101152	A1 *	5/2011	Molstad	A47K 10/3836
					242/606
2013/0154777	A1 *	6/2013	Virtanen	G01R 33/3802
					335/299
2014/0271162	A1	9/2014	Karl et al.		
2015/0040345	A1 *	2/2015	Loy	B60R 16/0222
					16/2.1
2015/0328874	A1 *	11/2015	Elliott	B29C 70/48
					156/153
2016/0004029	A1 *	1/2016	Tun	G02B 7/02
					359/819
2016/0247609	A1 *	8/2016	Wang	H02G 3/22

FOREIGN PATENT DOCUMENTS

DE	2602624	A1	7/1976
DE	202009018129	U1	4/2011
DE	102009010927	A1	9/2019
EP	1855013	A2	4/2007
GB	2266750	A	11/1993
JP	57124098	A	8/1982
JP	05332300	A	12/1993

* cited by examiner

Primary Examiner — Samantha Q Lawrence
(74) *Attorney, Agent, or Firm* — Global IP Counselors, LLP

(57) **CLAIM**

The ornamental design for a portion of a pump having a volute casing, as shown and described.

DESCRIPTION

FIG. 1 is a perspective view of a portion of a volute casing for a pump in accordance with our new design;
FIG. 2 is a first side elevational view of the volute casing illustrated in FIG. 1;
FIG. 3 is a second side elevational view of the volute casing illustrated in FIG. 1;
FIG. 4 is a first end elevational view of the volute casing illustrated in FIG. 1;
FIG. 5 is a second end elevational view of the volute casing illustrated in FIG. 1;
FIG. 6 is a bottom plan view of the volute casing illustrated in FIG. 1;
FIG. 7 is a top plan view of the volute casing illustrated in FIG. 1;
FIG. 8 is a perspective view of a portion of a volute casing for a pump in accordance with our new design;
FIG. 9 is a first side elevational view of the volute casing illustrated in FIG. 8;
FIG. 10 is a second side elevational view of the volute casing illustrated in FIG. 8;

FIG. 11 is a first end elevational view of the volute casing illustrated in FIG. 8;
FIG. 12 is a second end elevational view of the volute casing illustrated in FIG. 8;
FIG. 13 is a bottom plan view of the volute casing illustrated in FIG. 8;
FIG. 14 is a top plan view of the volute casing illustrated in FIG. 8;
FIG. 15 is a perspective view of a portion of a volute casing for a pump in accordance with our new design;
FIG. 16 is a first side elevational view of the volute casing illustrated in FIG. 15;
FIG. 17 is a second side elevational view of the volute casing illustrated in FIG. 15;
FIG. 18 is a first end elevational view of the volute casing illustrated in FIG. 15;
FIG. 19 is a second end elevational view of the volute casing illustrated in FIG. 15;
FIG. 20 is a bottom plan view of the volute casing illustrated in FIG. 15;
FIG. 21 is a top plan view of the volute casing illustrated in FIG. 15;
FIG. 22 is a perspective view of a portion of a volute casing for a pump in accordance with our new design;
FIG. 23 is a first side elevational view of the volute casing illustrated in FIG. 22;
FIG. 24 is a second side elevational view of the volute casing illustrated in FIG. 22;
FIG. 25 is a first end elevational view of the volute casing illustrated in FIG. 22;
FIG. 26 is a second end elevational view of the volute casing illustrated in FIG. 22;
FIG. 27 is a bottom plan view of the volute casing illustrated in FIG. 22;
FIG. 28 is a top plan view of the volute casing illustrated in FIG. 22;
FIG. 29 is a perspective view of a portion of a volute casing for a pump in accordance with our new design;
FIG. 30 is a first side elevational view of the volute casing illustrated in FIG. 29;
FIG. 31 is a second side elevational view of the volute casing illustrated in FIG. 29;
FIG. 32 is a first end elevational view of the volute casing illustrated in FIG. 29;
FIG. 33 is a second end elevational view of the volute casing illustrated in FIG. 29;
FIG. 34 is a bottom plan view of the volute casing illustrated in FIG. 29;
FIG. 35 is a top plan view of the volute casing illustrated in FIG. 29;
FIG. 36 is a perspective view of a portion of a volute casing for a pump in accordance with our new design;
FIG. 37 is a first side elevational view of the volute casing illustrated in FIG. 36;
FIG. 38 is a second side elevational view of the volute casing illustrated in FIG. 36;
FIG. 39 is a first end elevational view of the volute casing illustrated in FIG. 36;
FIG. 40 is a second end elevational view of the volute casing illustrated in FIG. 36;
FIG. 41 is a bottom plan view of the volute casing illustrated in FIG. 36;
FIG. 42 is a top plan view of the volute casing illustrated in FIG. 36;

FIG. 93 is a first side elevational view of the volute casing illustrated in FIG. 92;

FIG. 94 is a second side elevational view of the volute casing illustrated in FIG. 92;

FIG. 95 is a first end elevational view of the volute casing illustrated in FIG. 92;

FIG. 96 is a second end elevational view of the volute casing illustrated in FIG. 92;

FIG. 97 is a bottom plan view of the volute casing illustrated in FIG. 92;

FIG. 98 is a top plan view of the volute casing illustrated in FIG. 92;

FIG. 99 is a perspective view of a portion of a volute casing for a pump in accordance with our new design;

FIG. 100 is a first side elevational view of the volute casing illustrated in FIG. 99;

FIG. 101 is a second side elevational view of the volute casing illustrated in FIG. 99;

FIG. 102 is a first end elevational view of the volute casing illustrated in FIG. 99;

FIG. 103 is a second end elevational view of the volute casing illustrated in FIG. 99;

FIG. 104 is a bottom plan view of the volute casing illustrated in FIG. 99; and,

FIG. 105 is a top plan view of the volute casing illustrated in FIG. 99.

The broken lines shown in the Figures illustrate portions of the portion of volute casing for a pump and form no part of the claimed design.

1 Claim, 105 Drawing Sheets

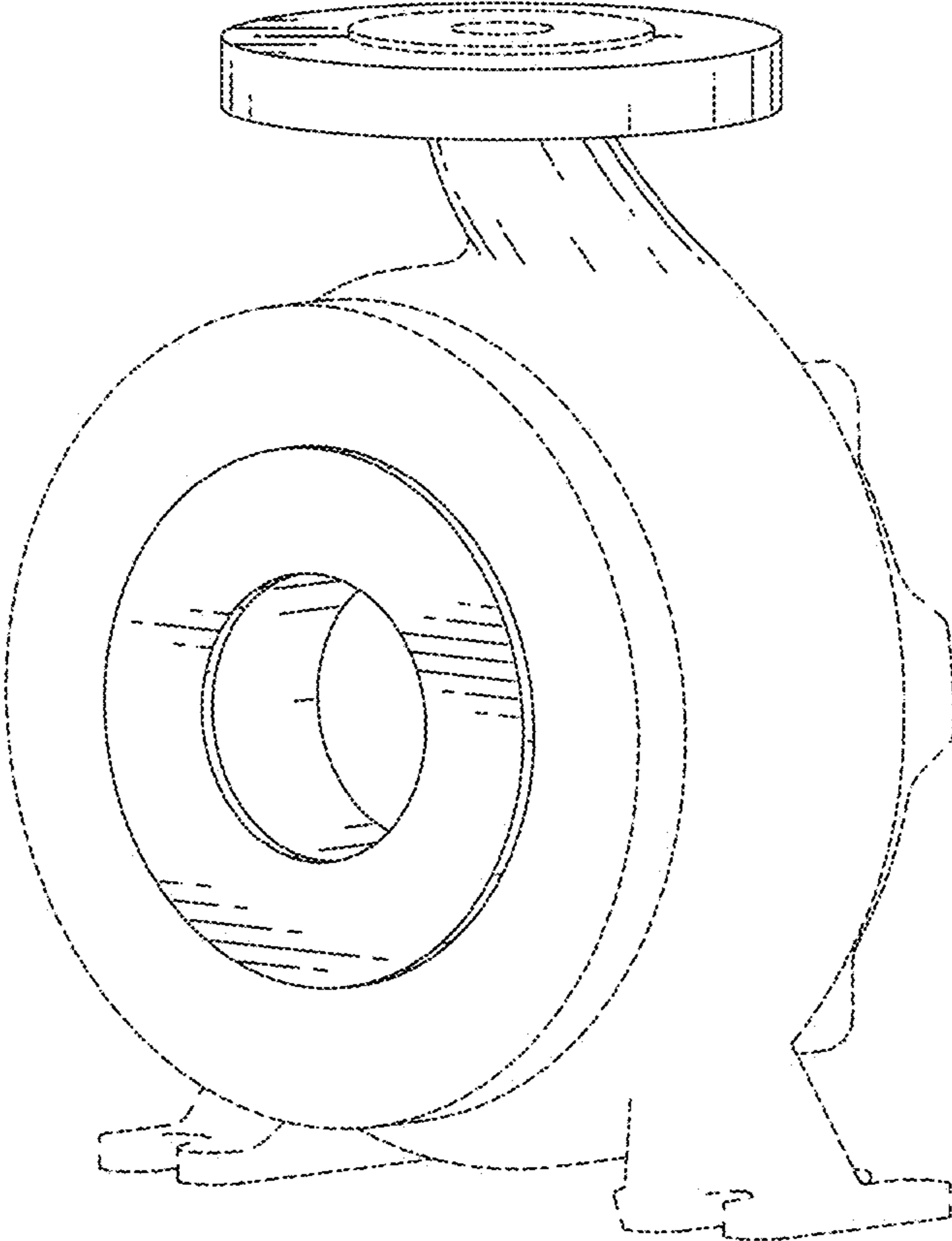


FIG. 1

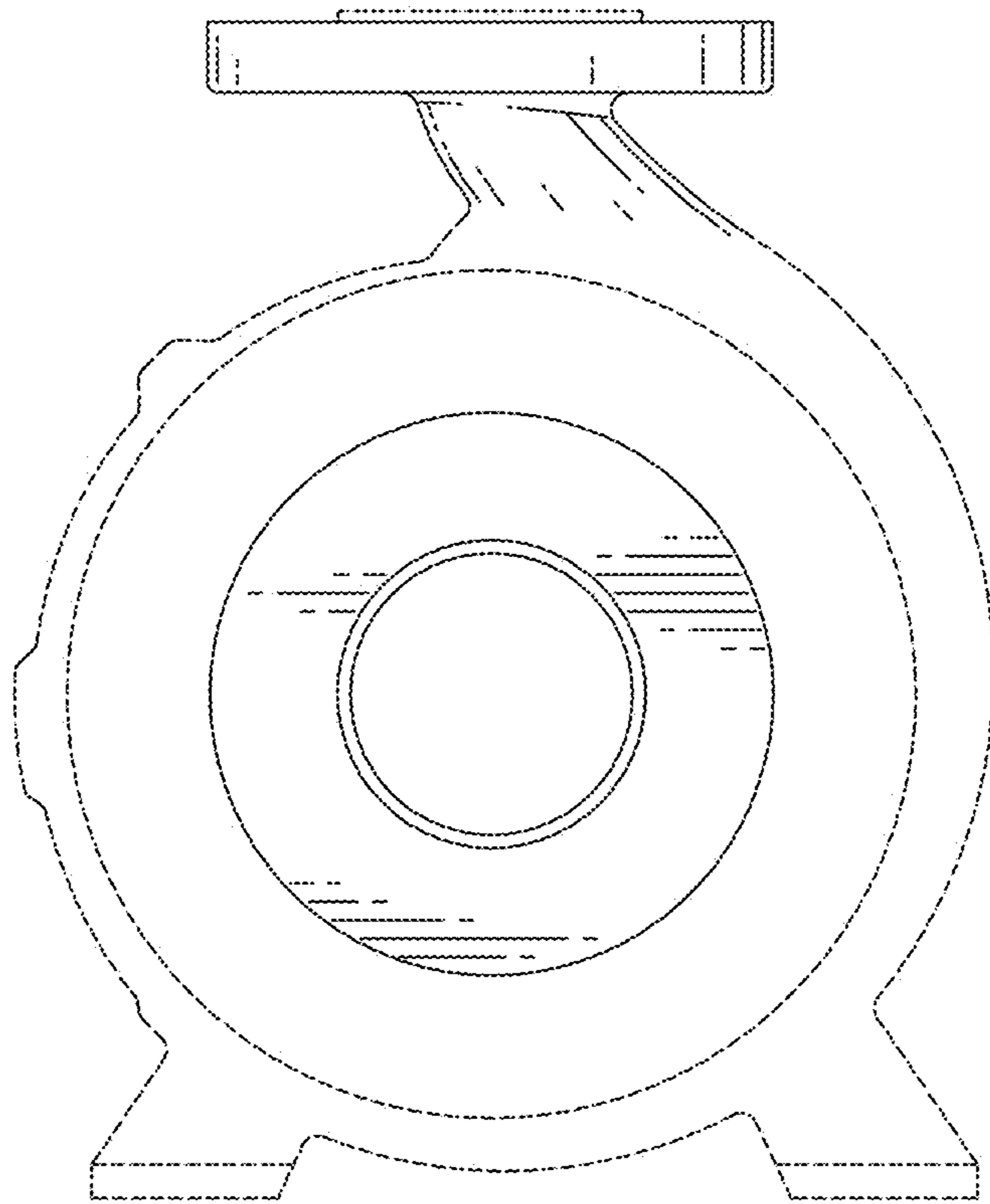


FIG. 2

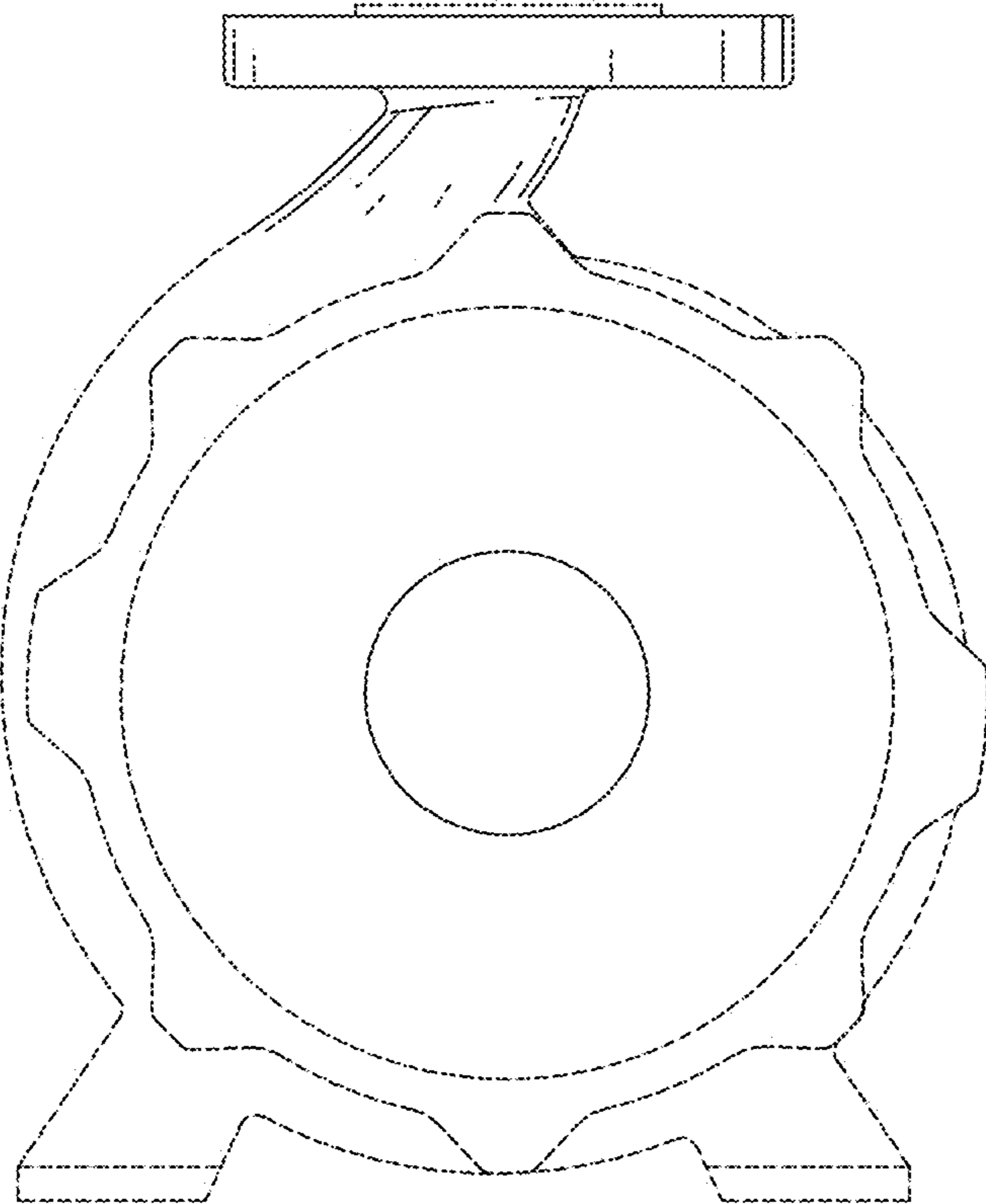


FIG. 3

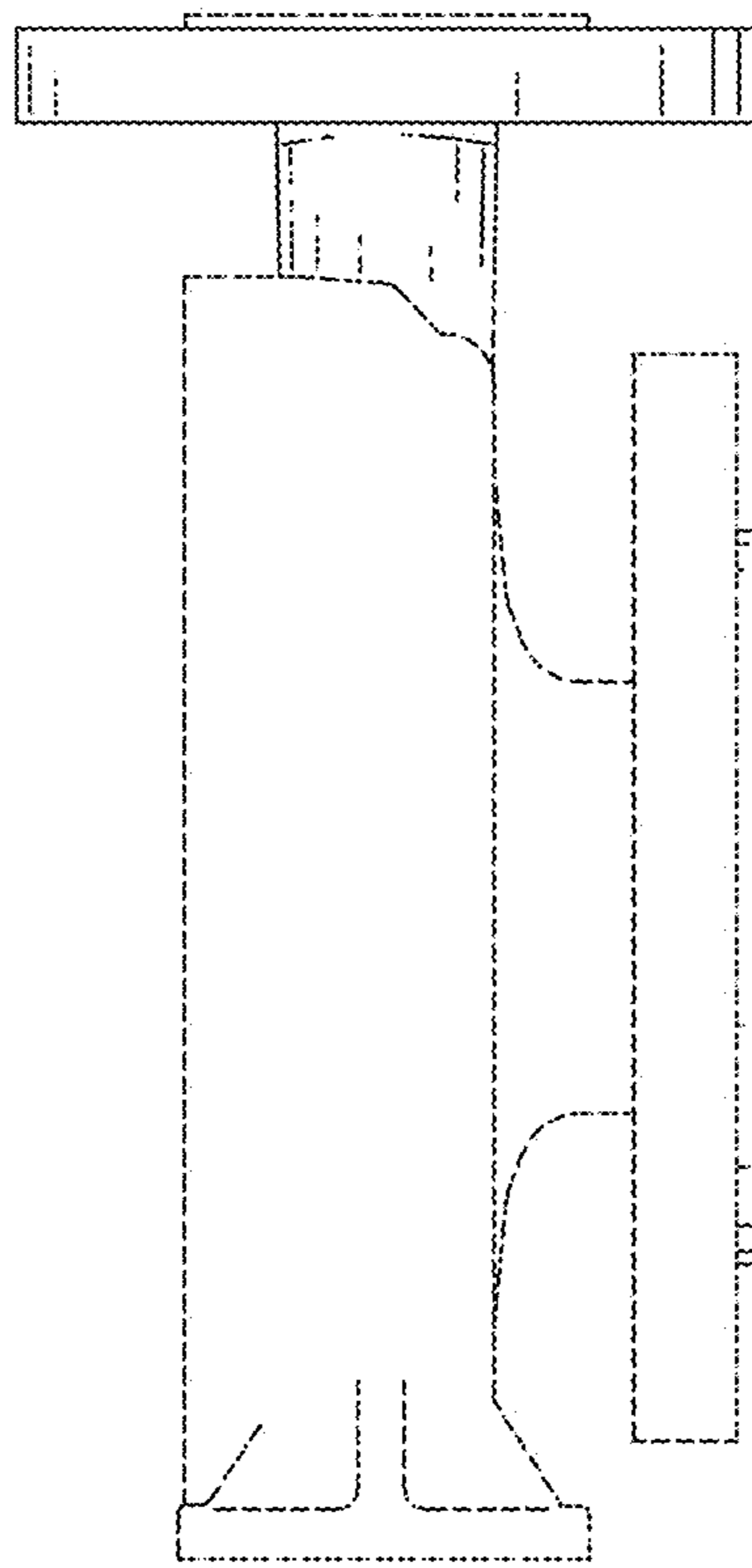


FIG. 4

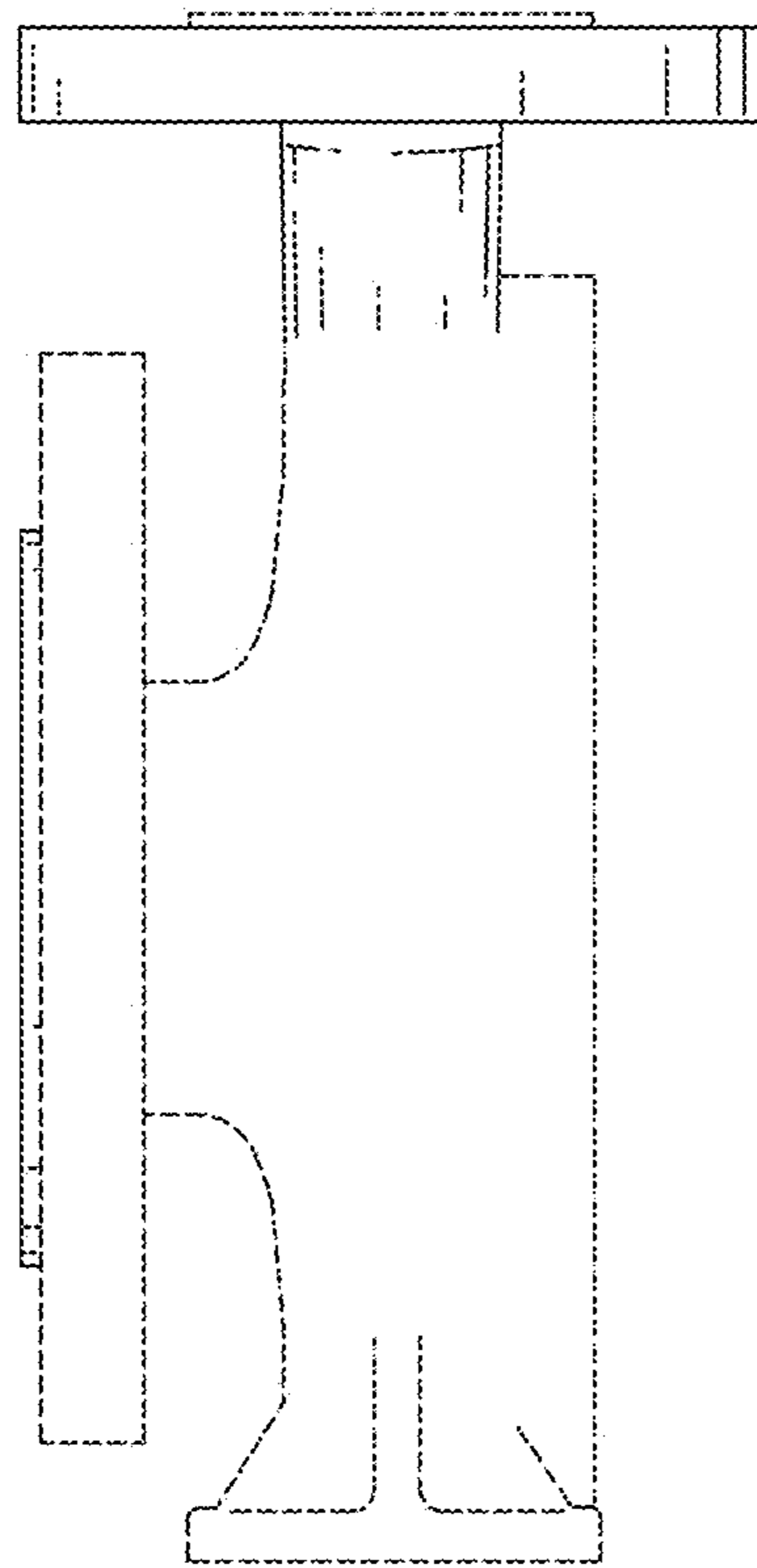


FIG. 5

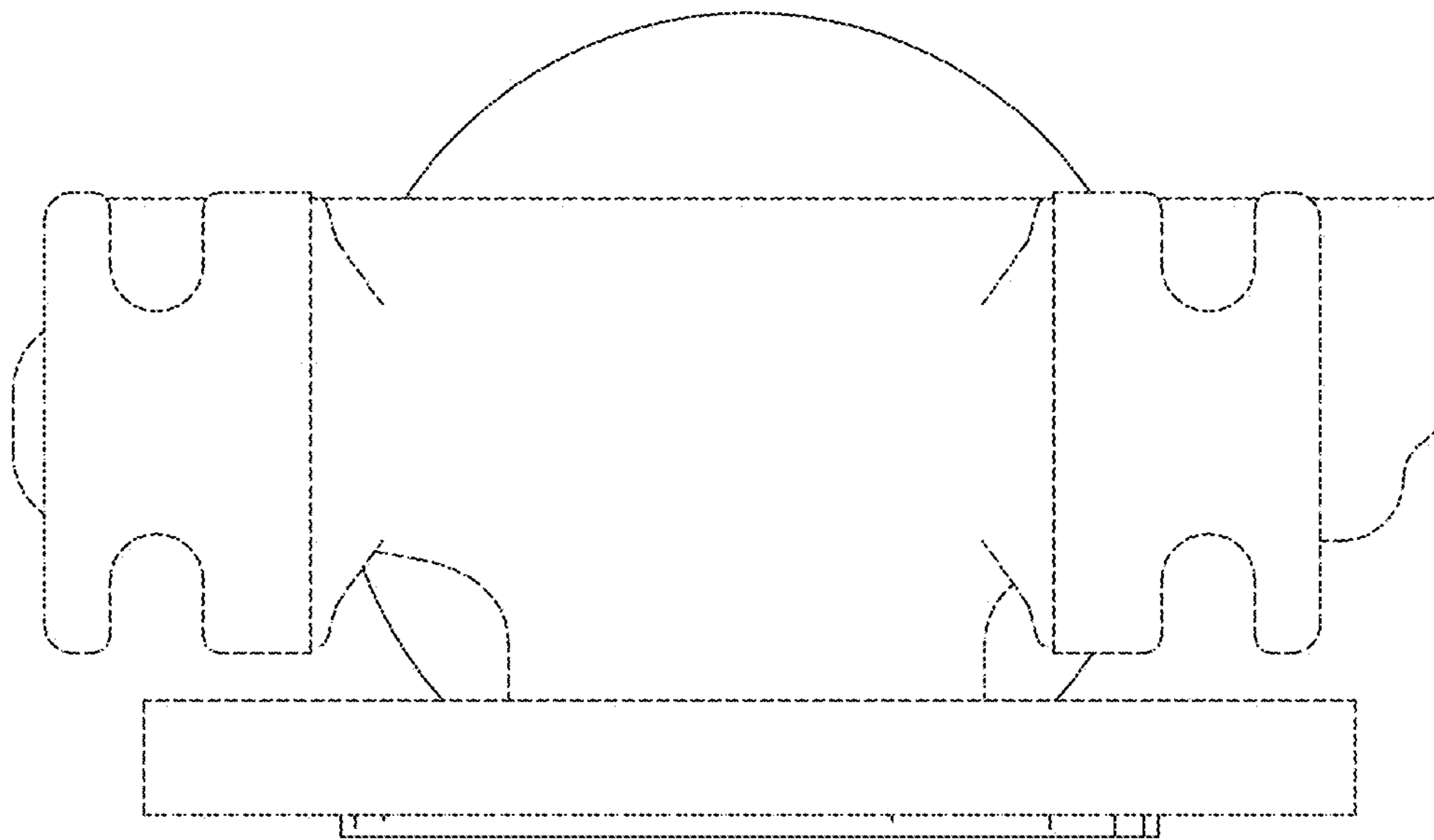


FIG. 6

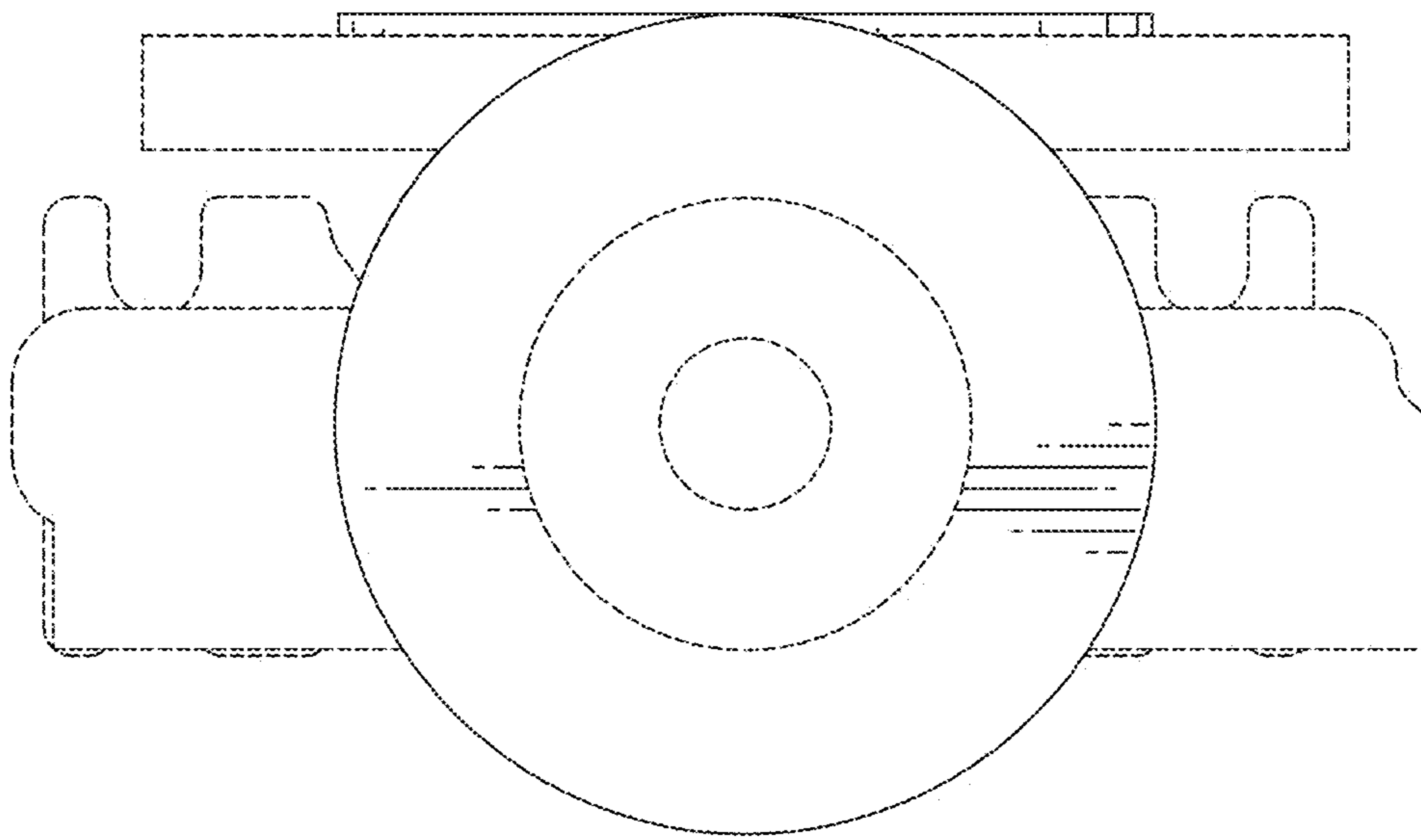


FIG. 7

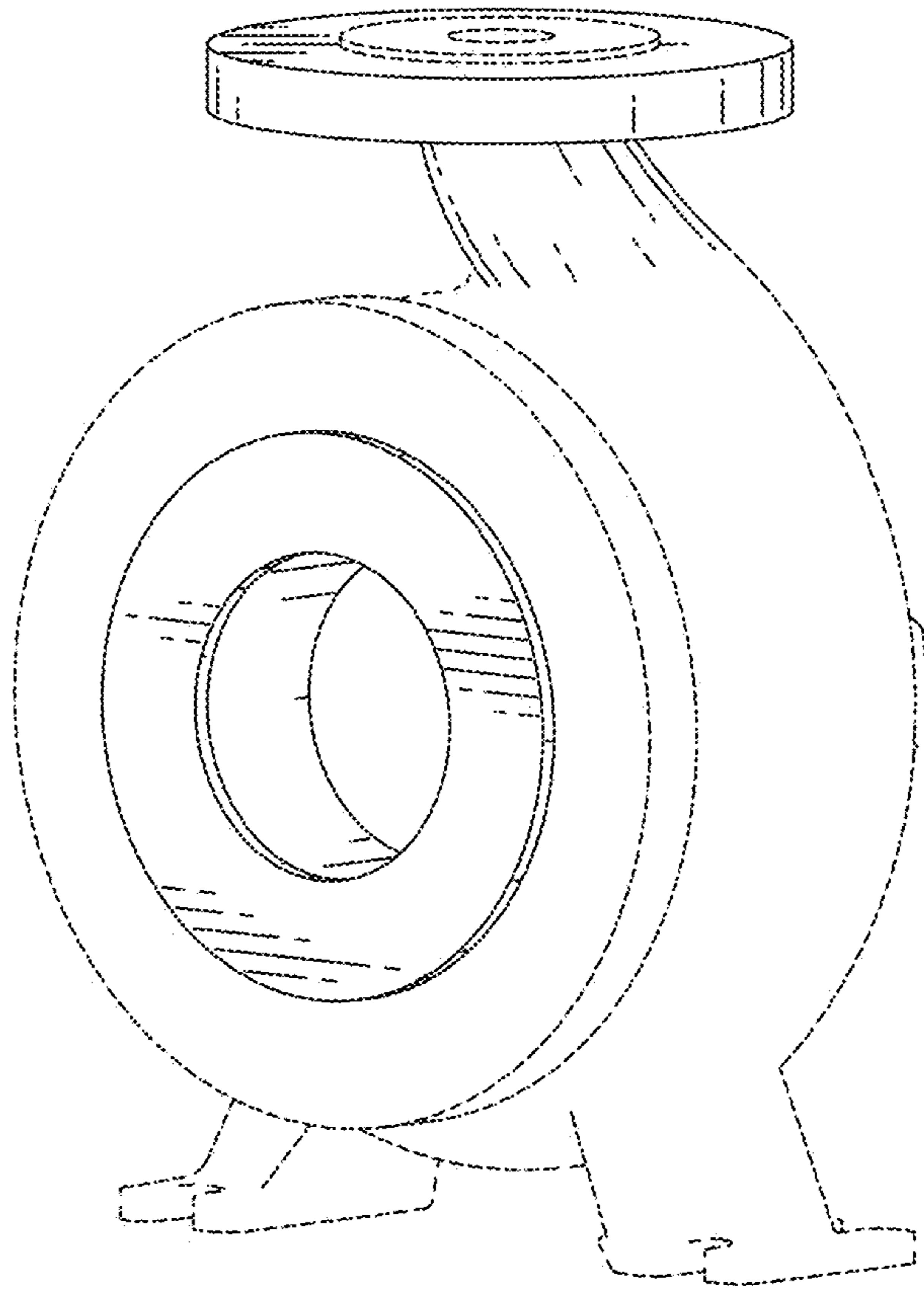


FIG. 8

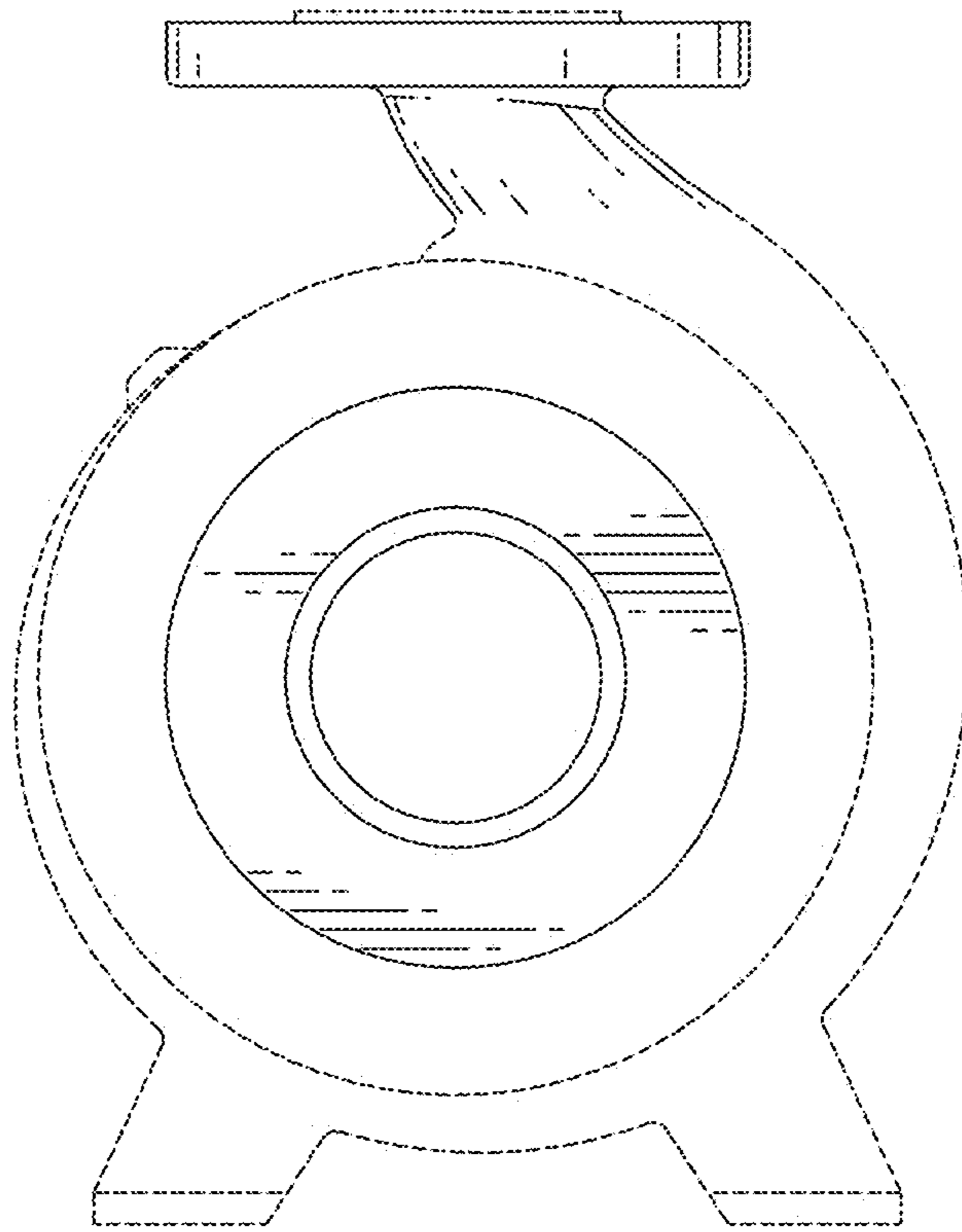


FIG. 9

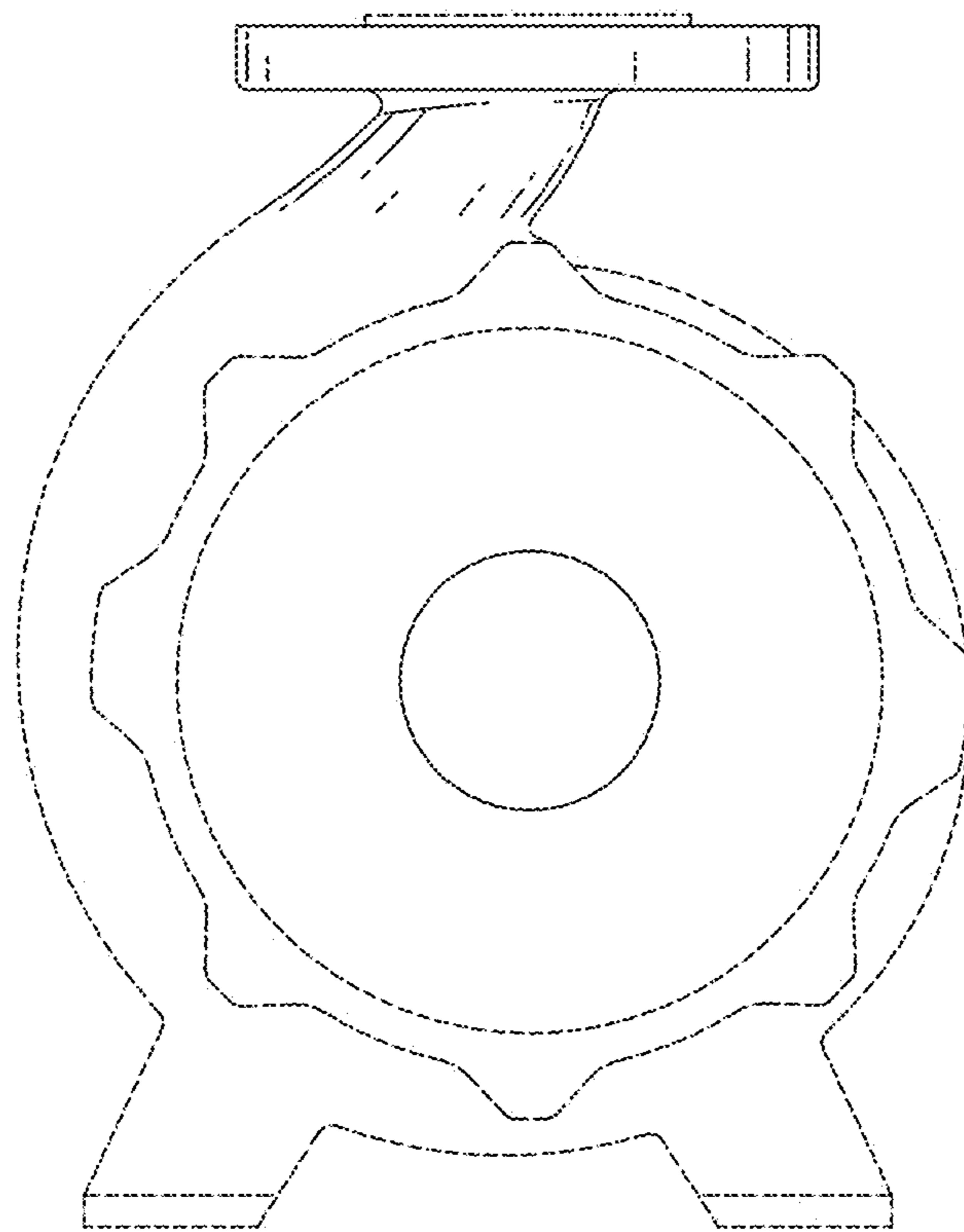


FIG. 10

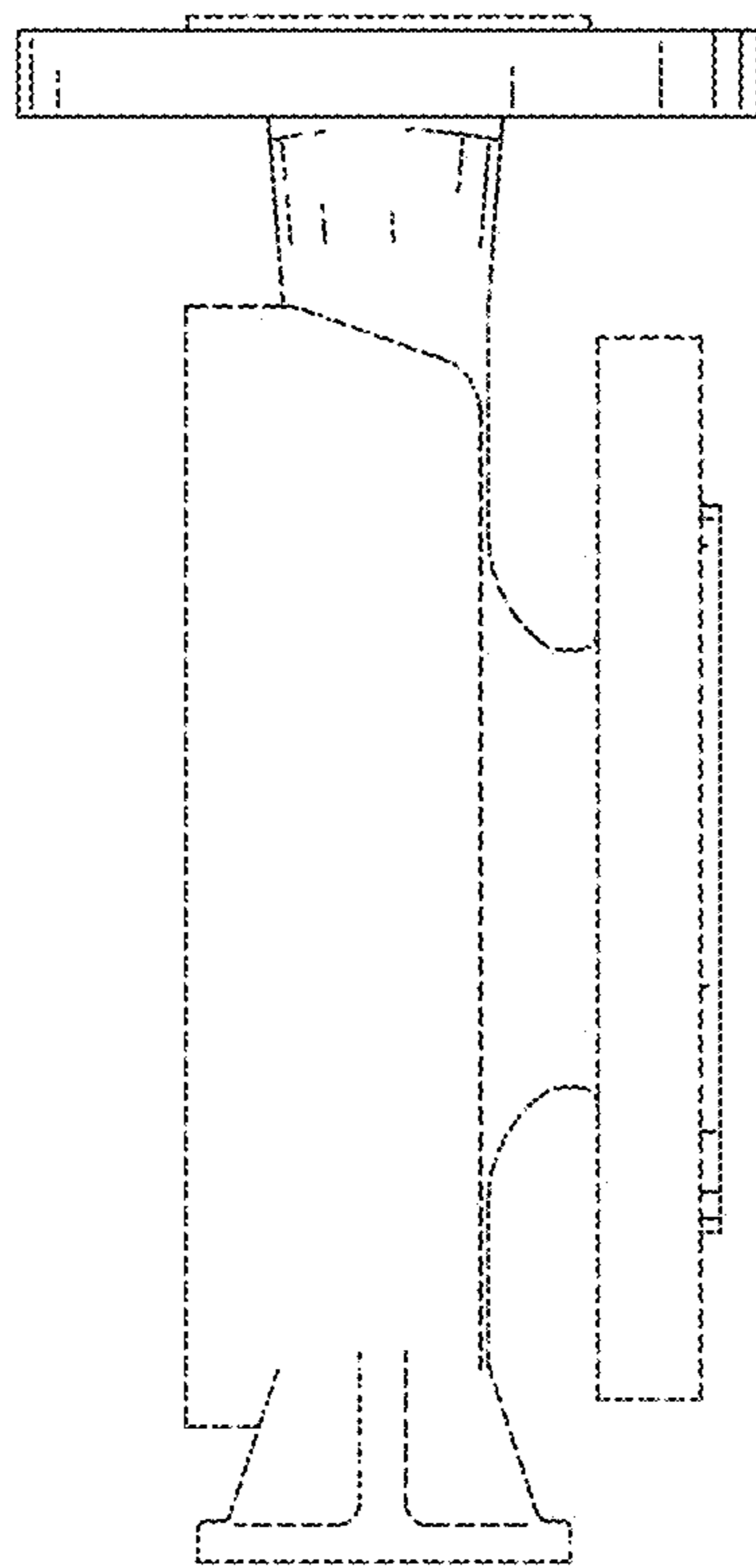


FIG. 11

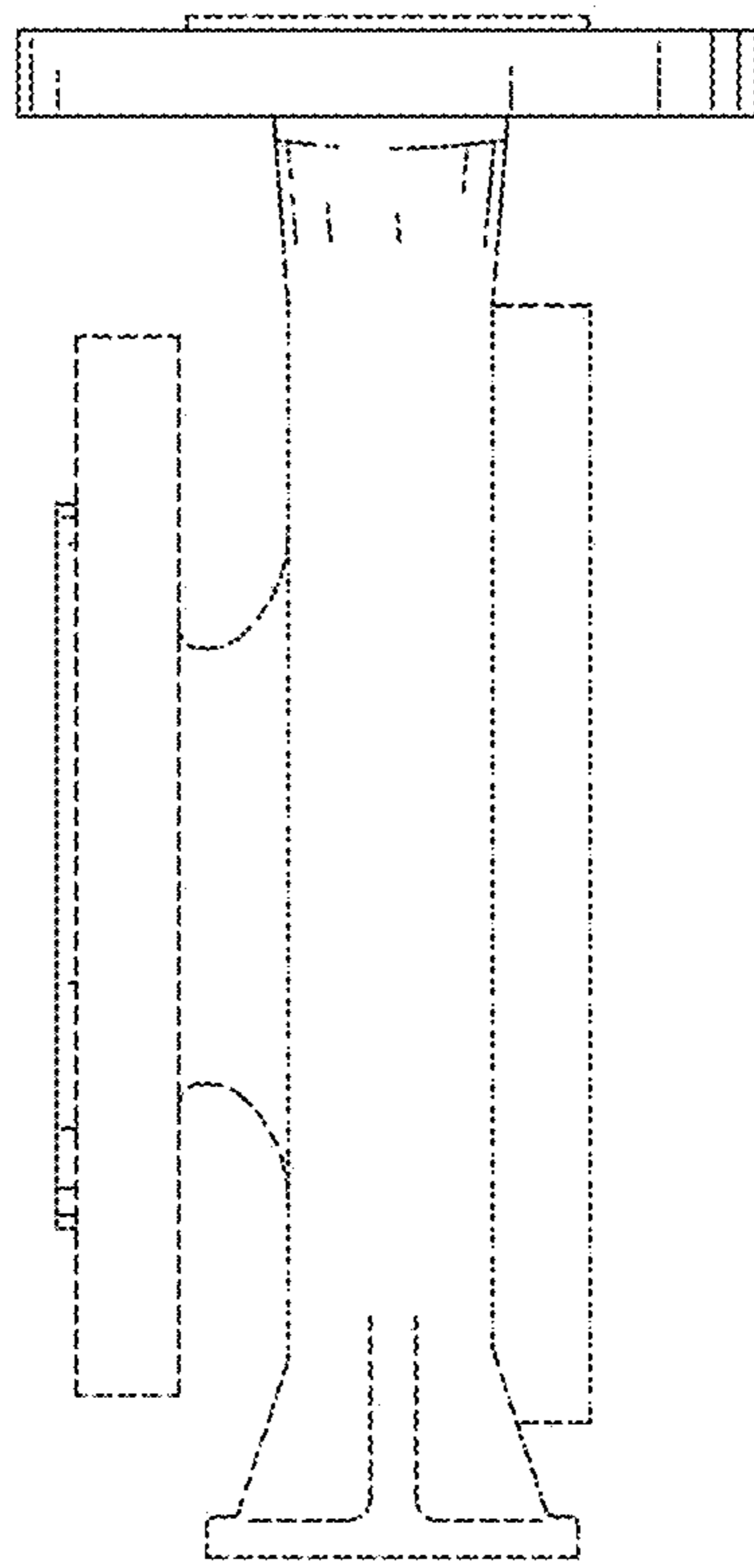


FIG. 12

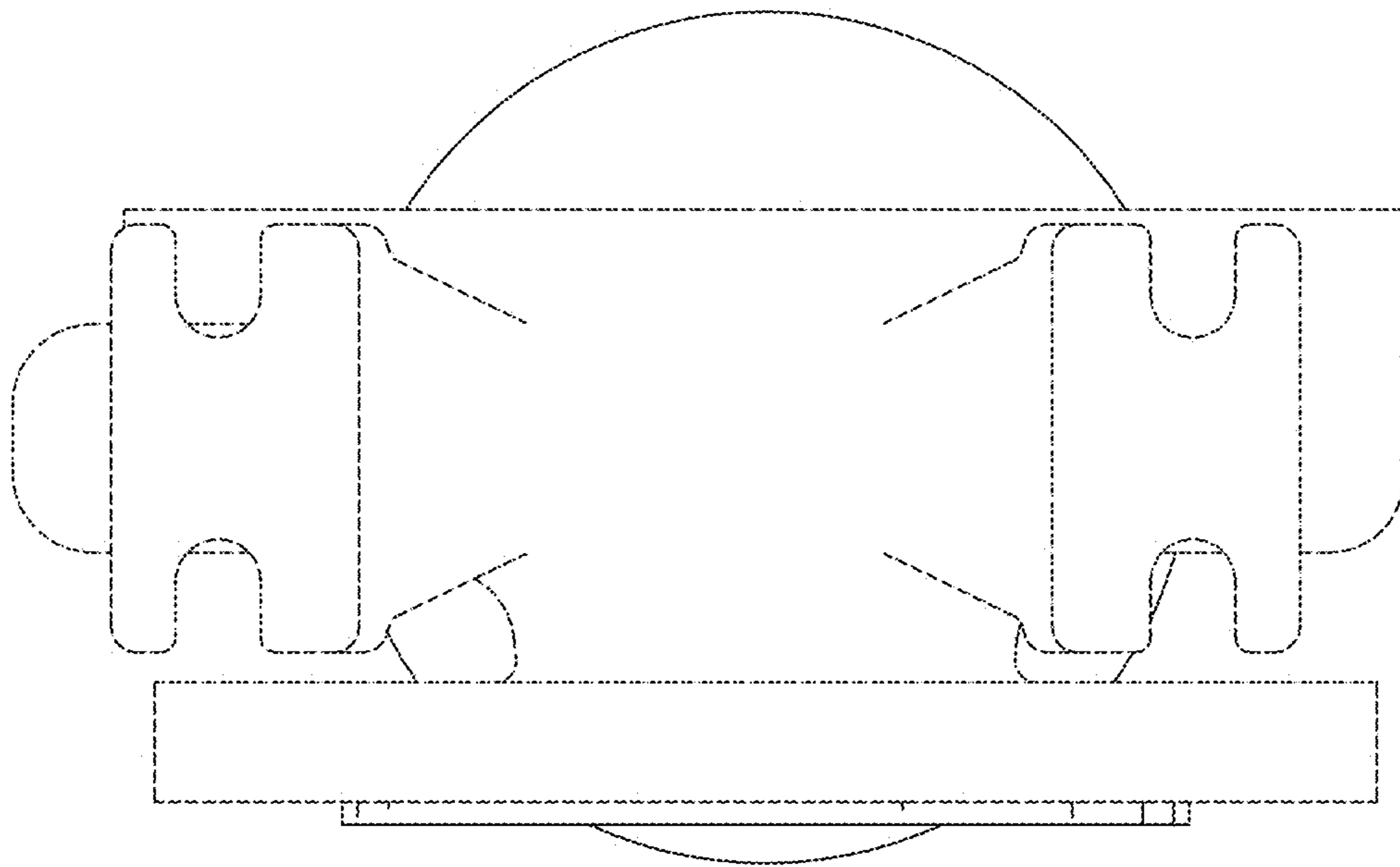


FIG. 13

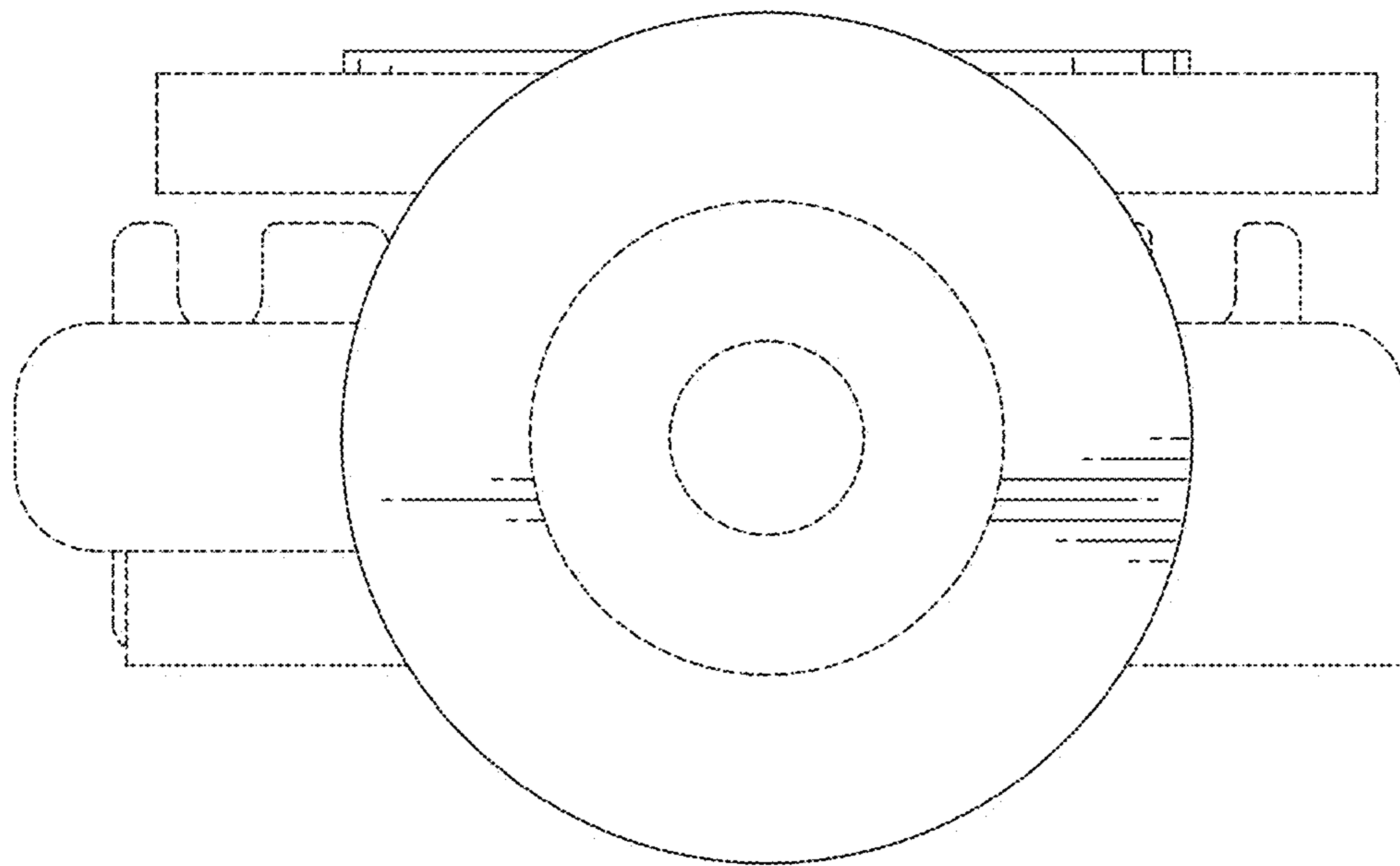


FIG. 14

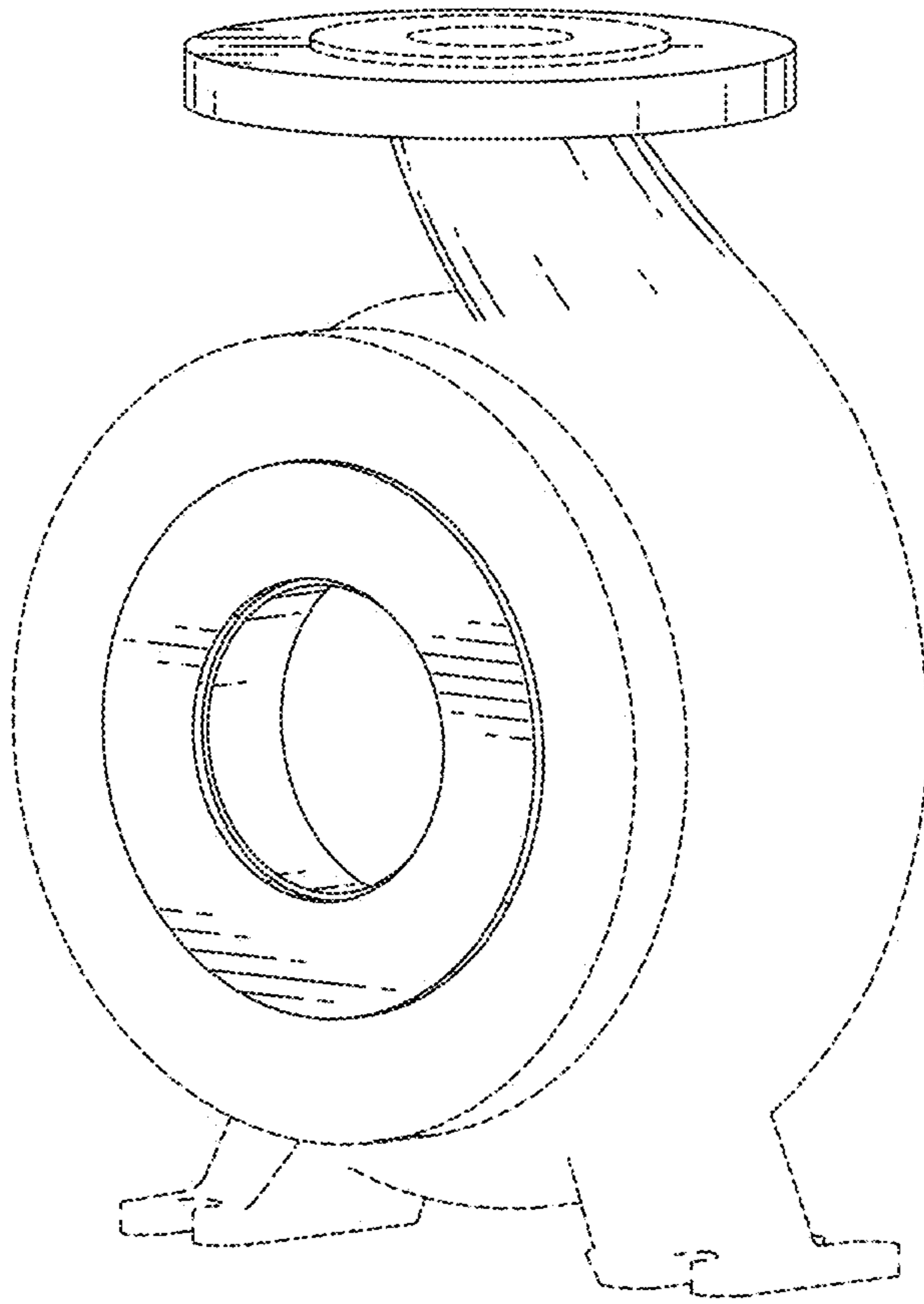


FIG. 15

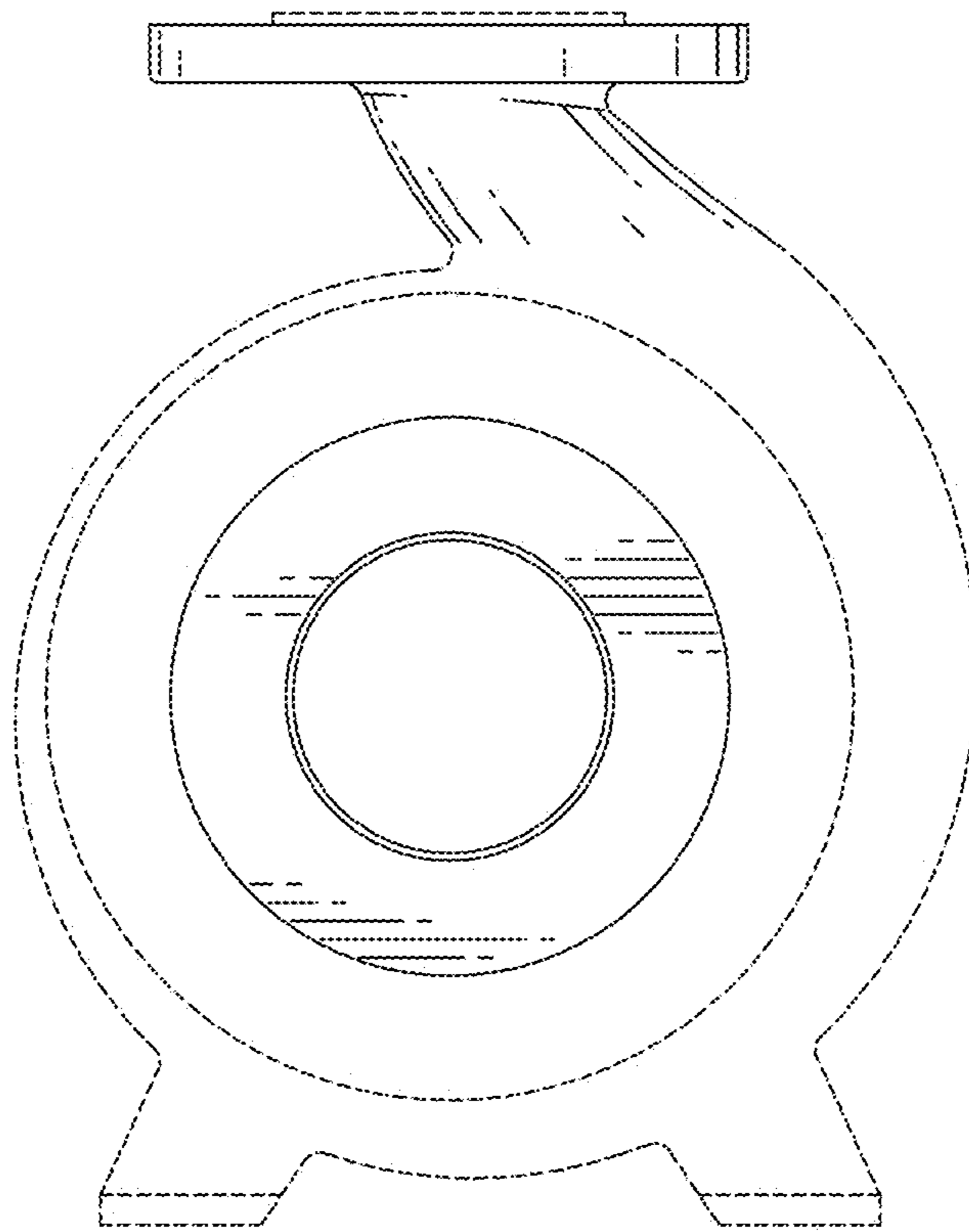


FIG. 16

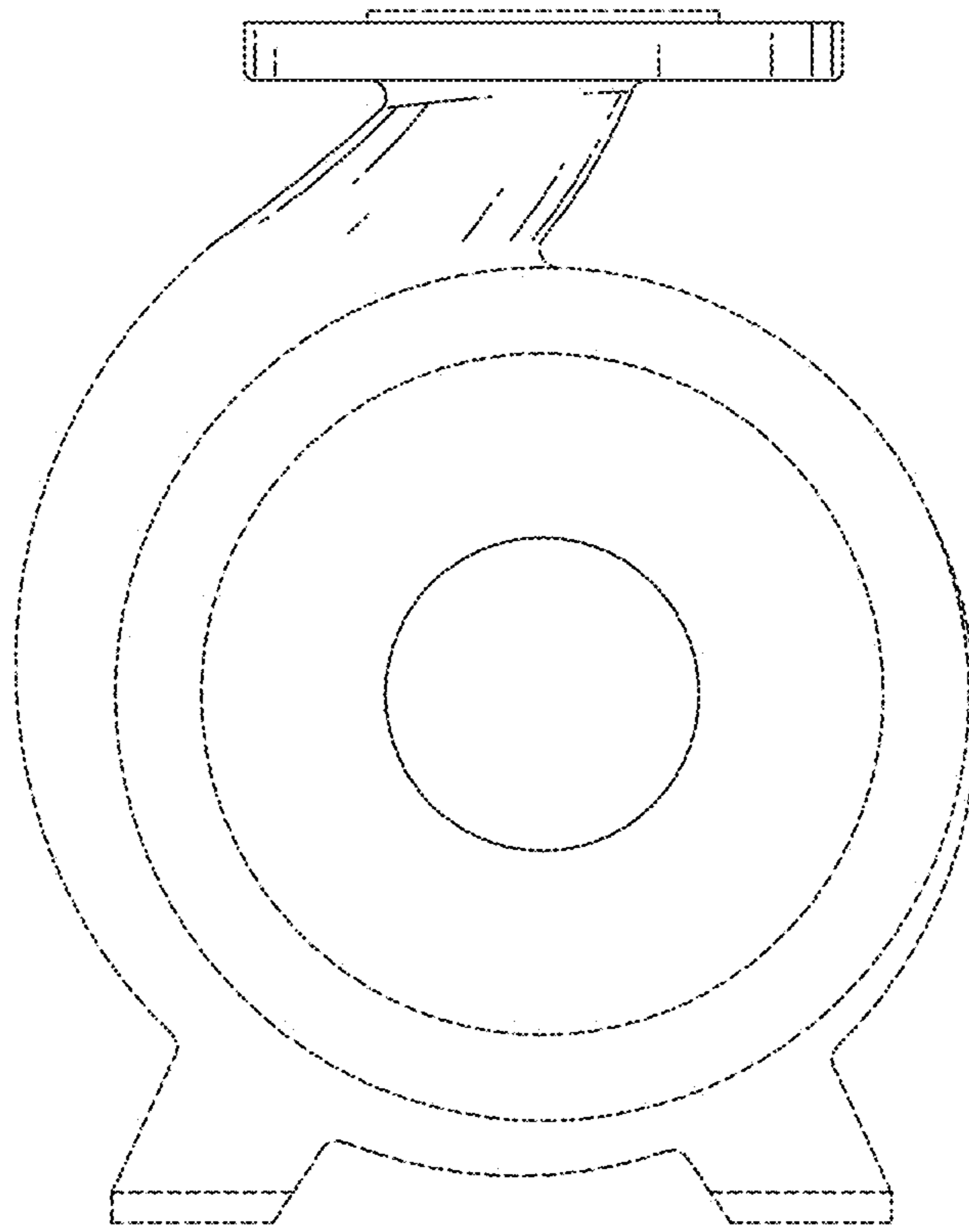


FIG. 17

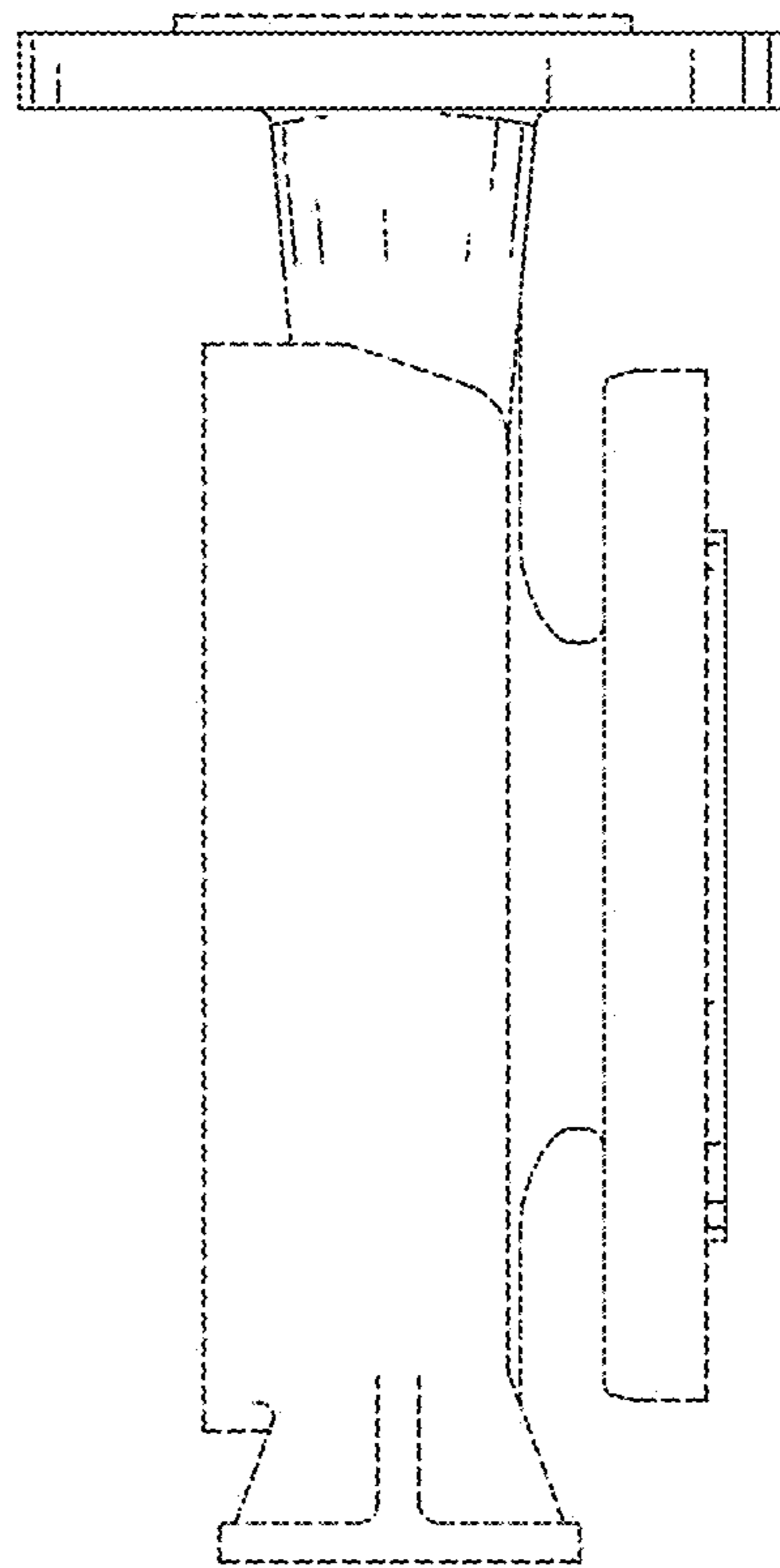


FIG. 18

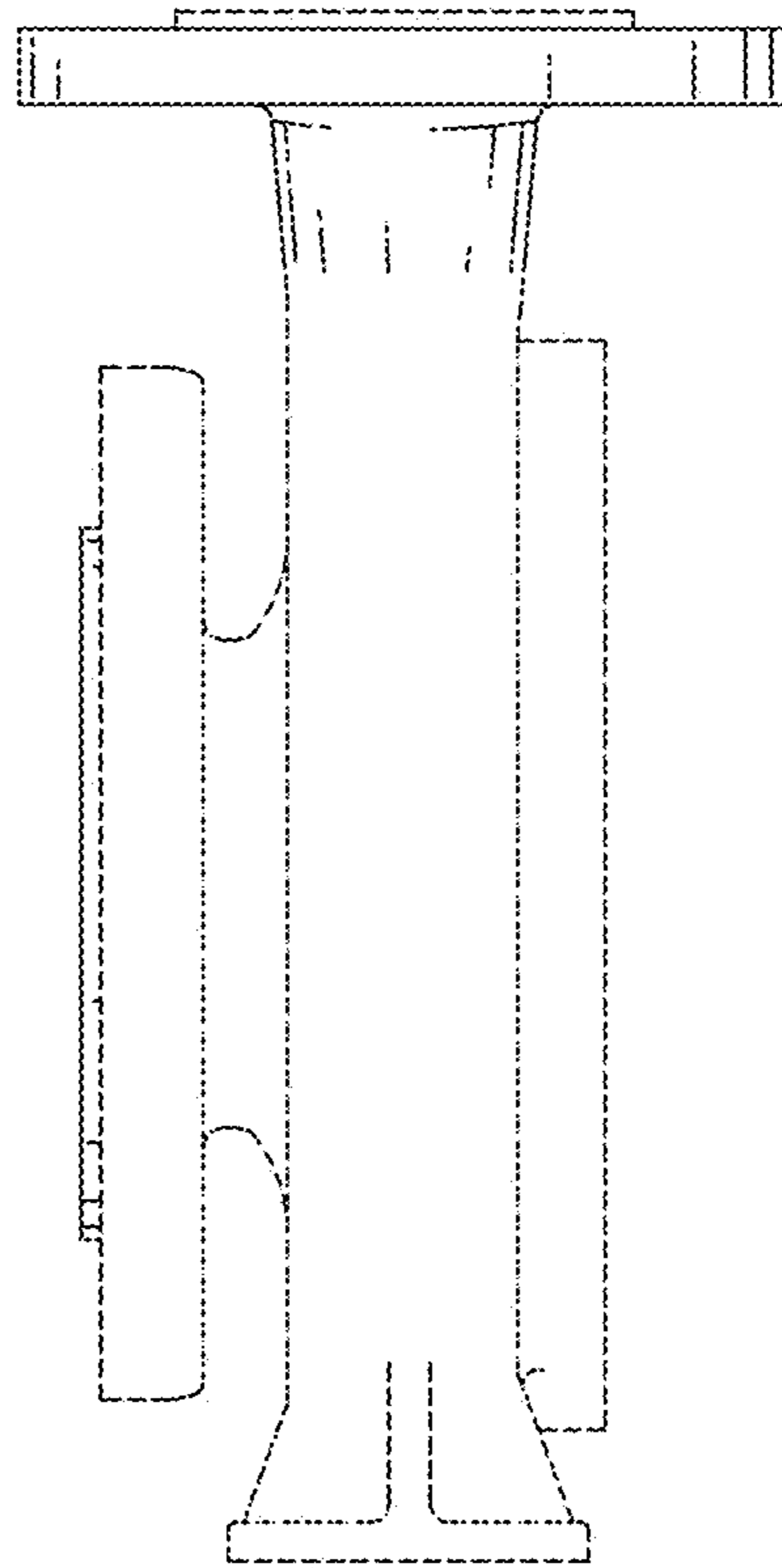


FIG. 19

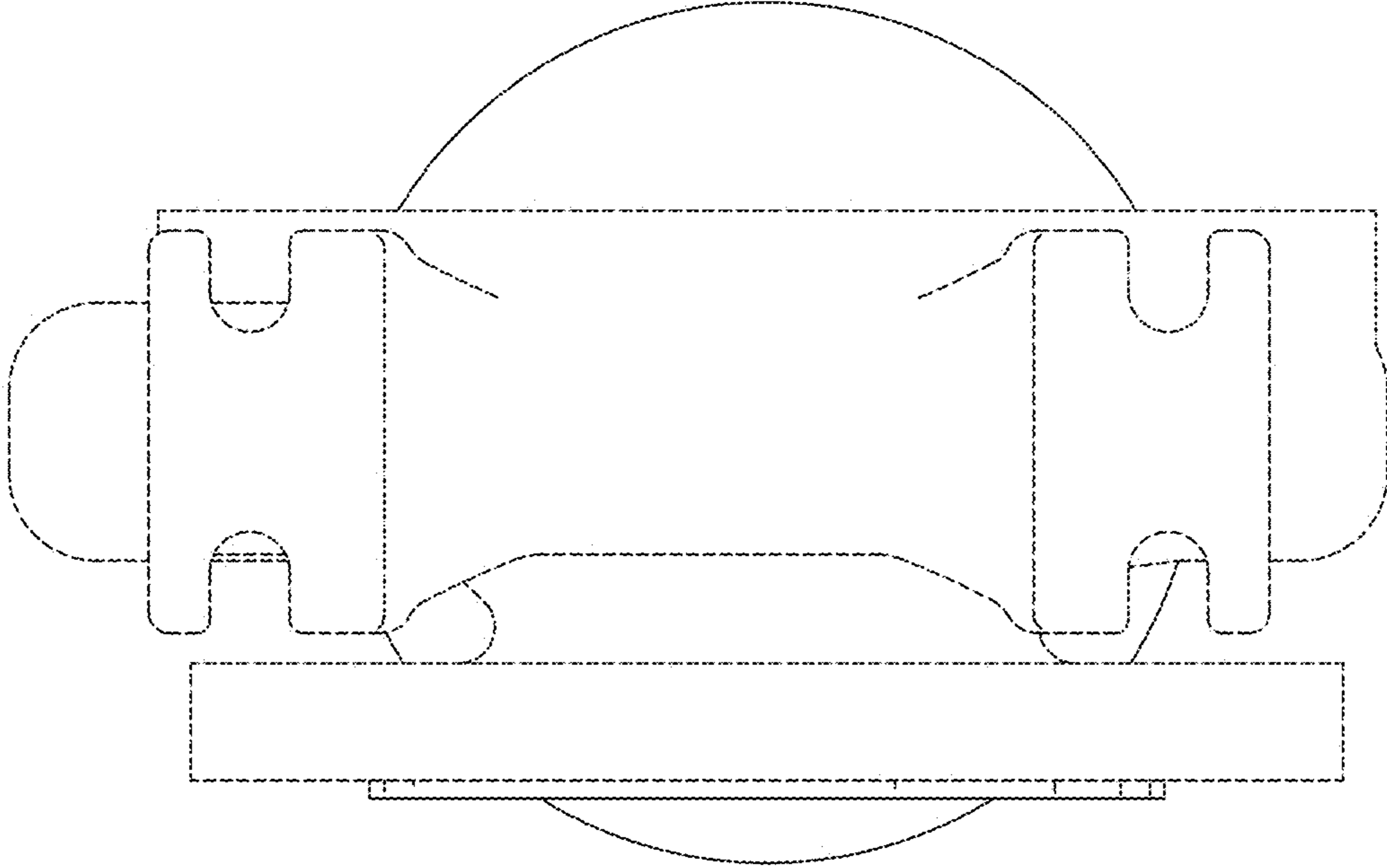


FIG. 20

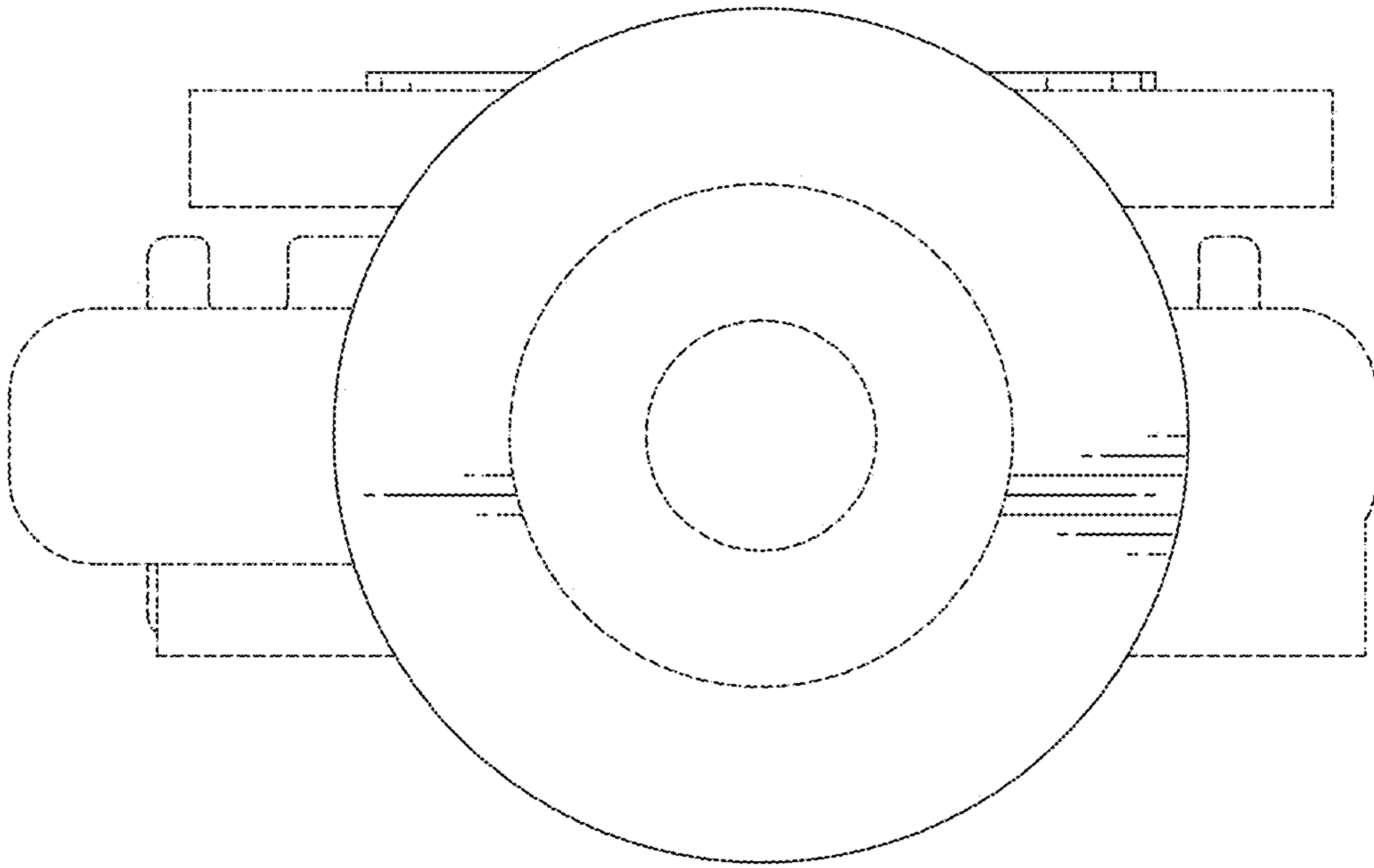


FIG. 21

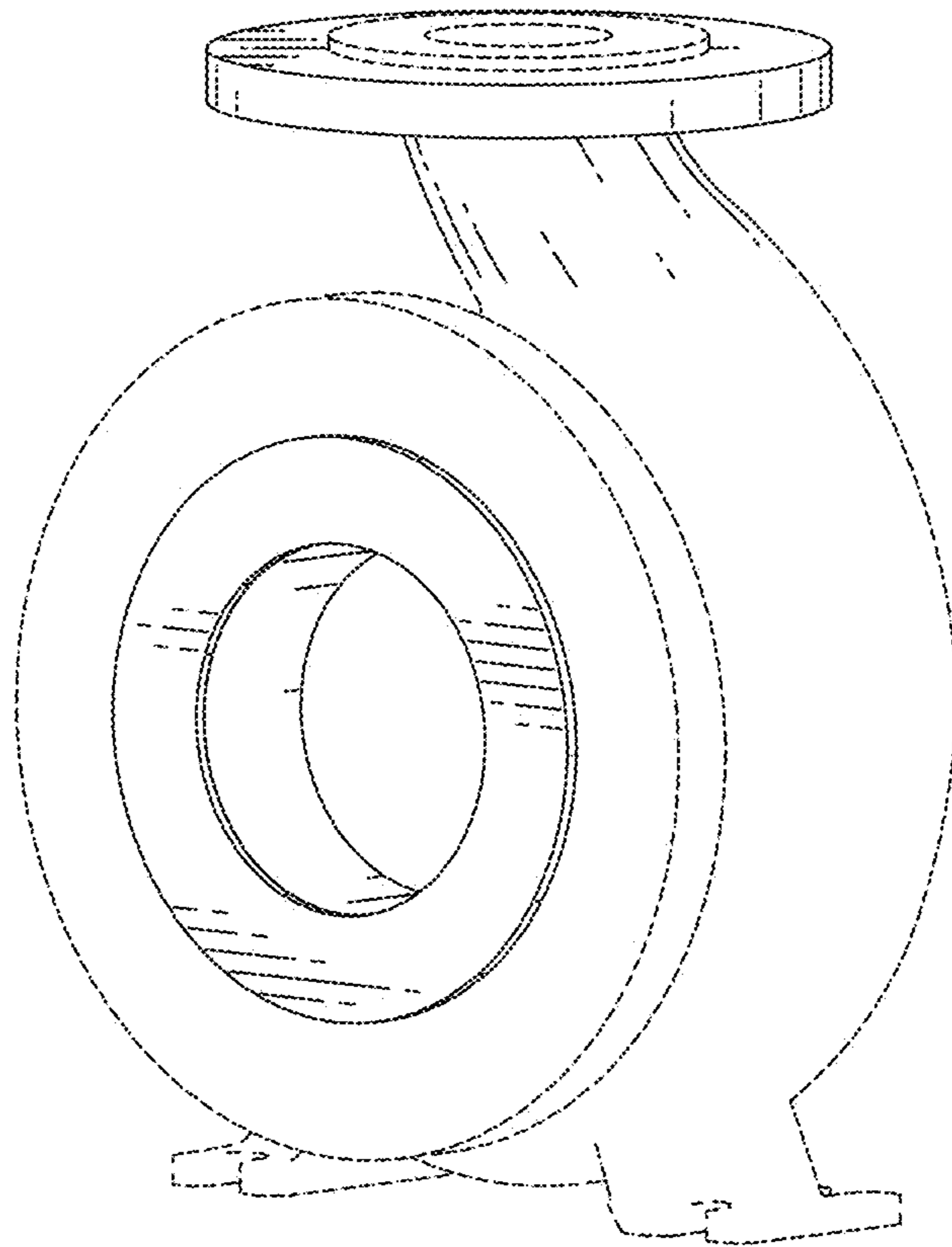


FIG. 22

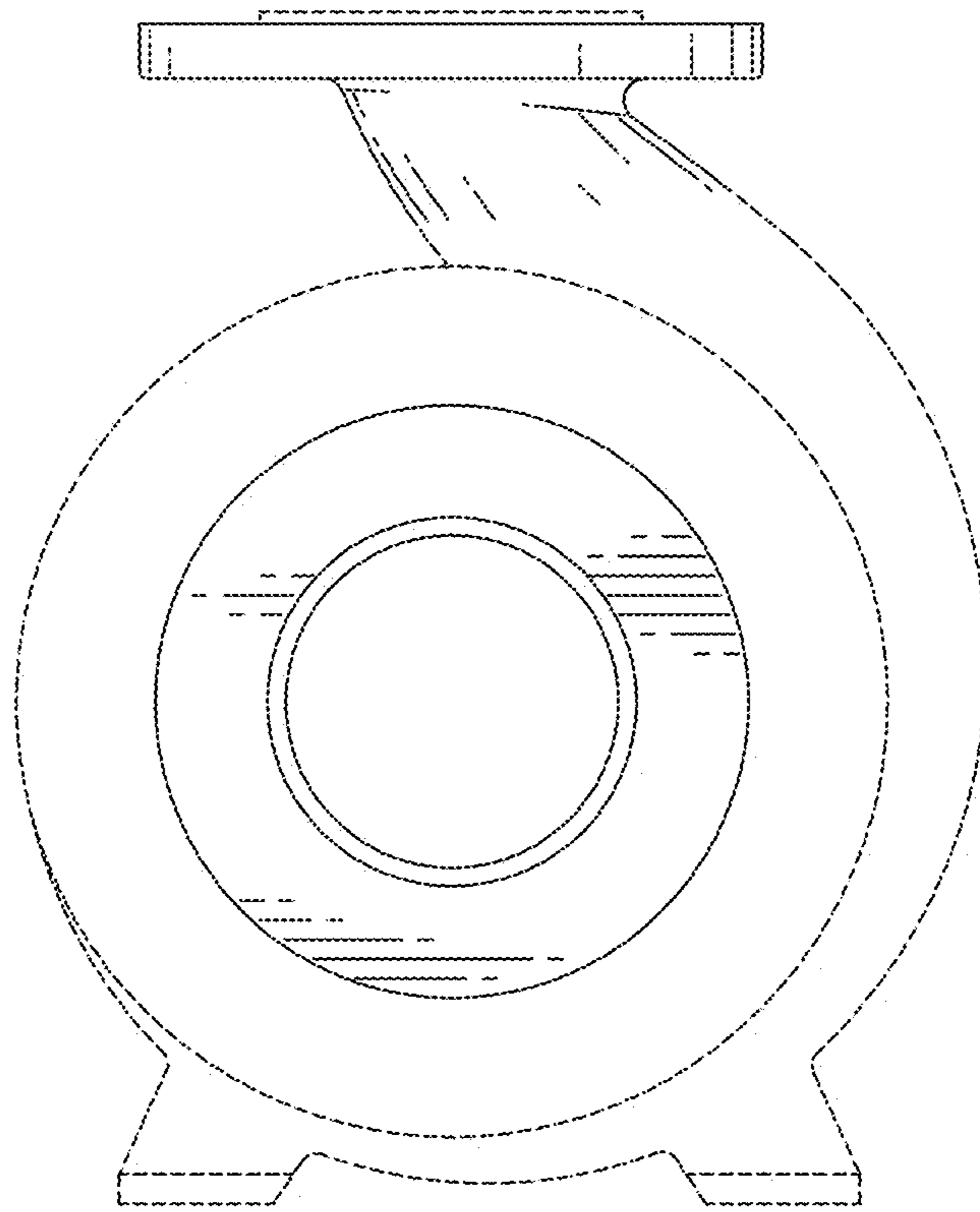


FIG. 23

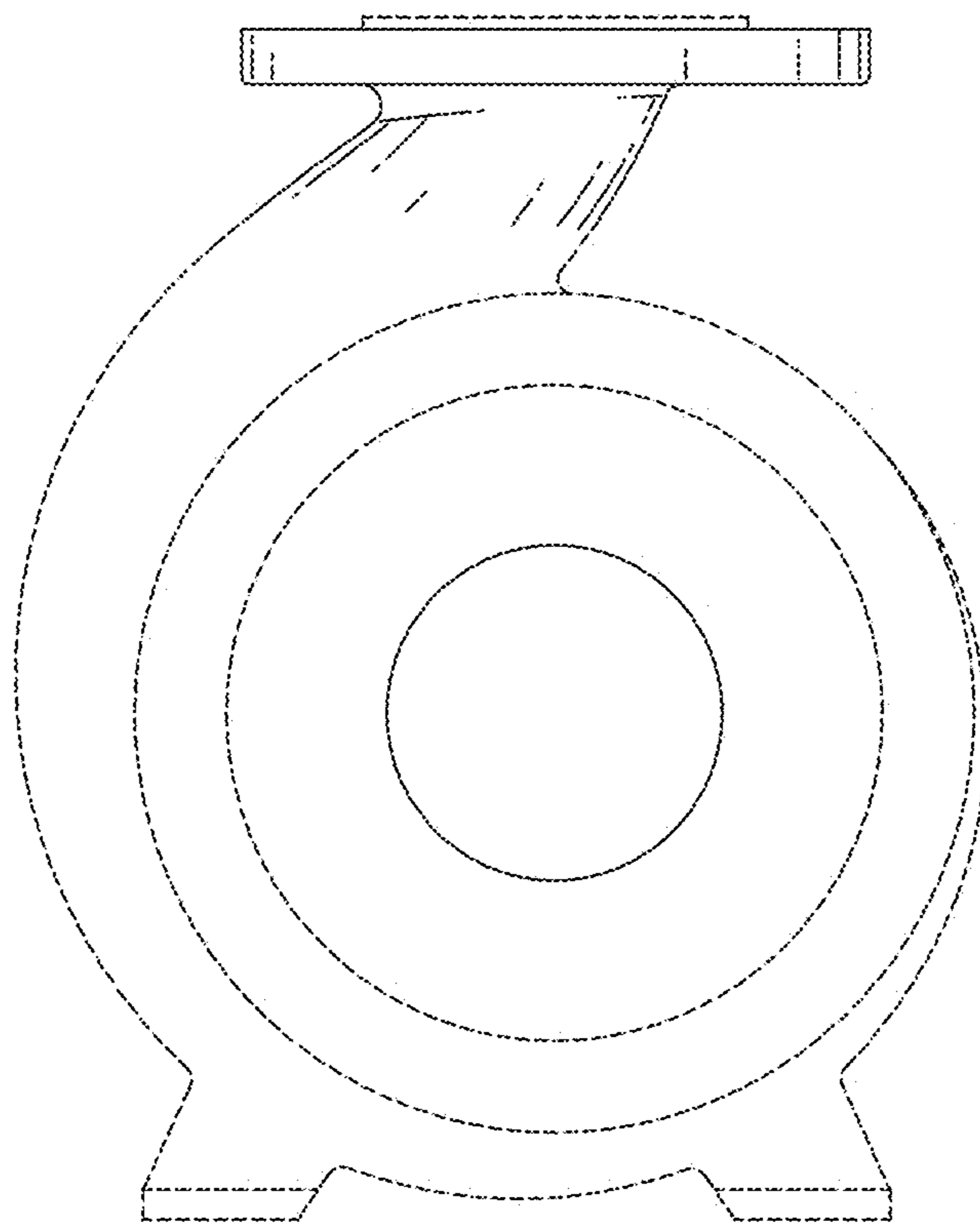


FIG. 24

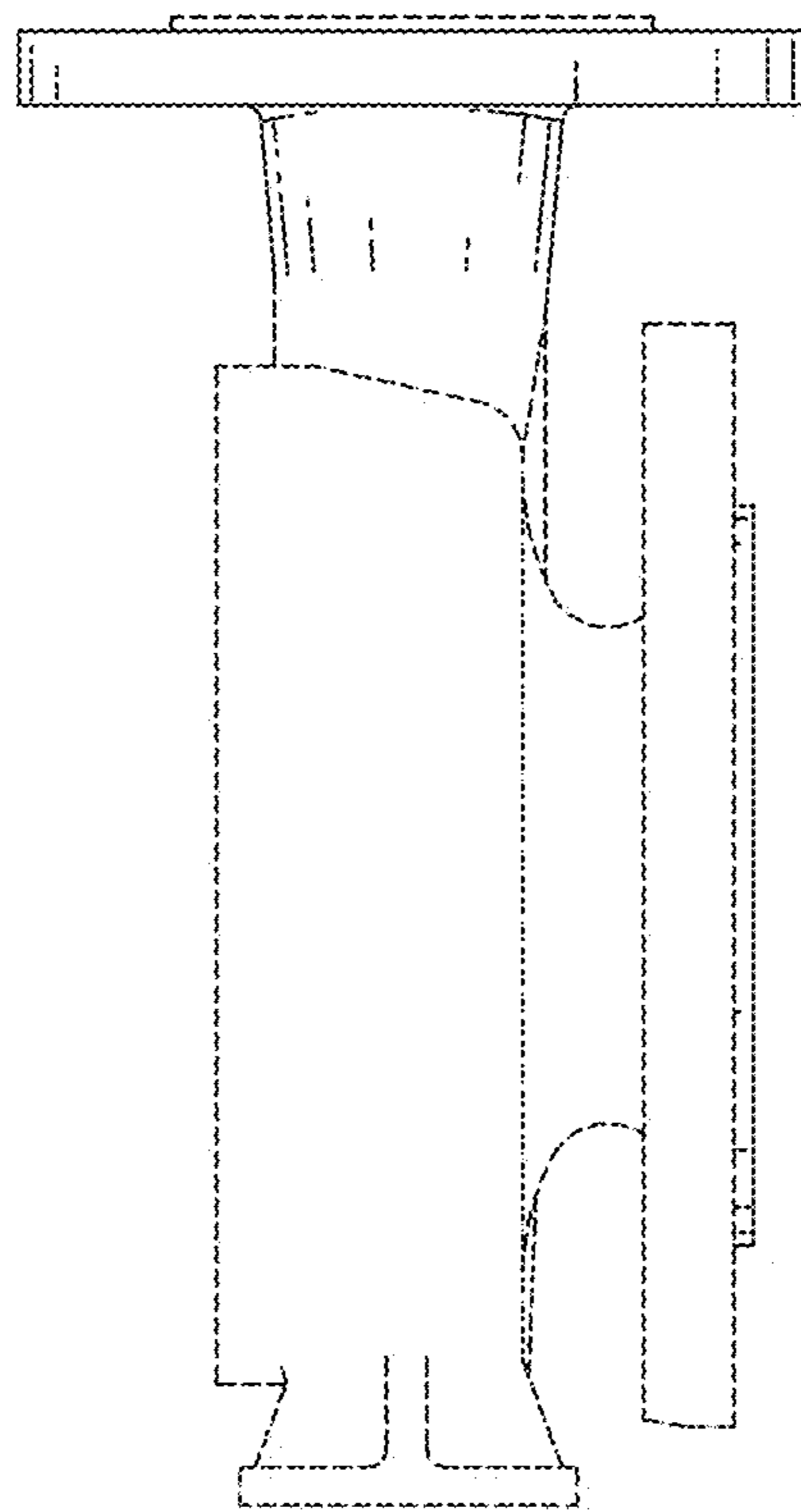


FIG. 25

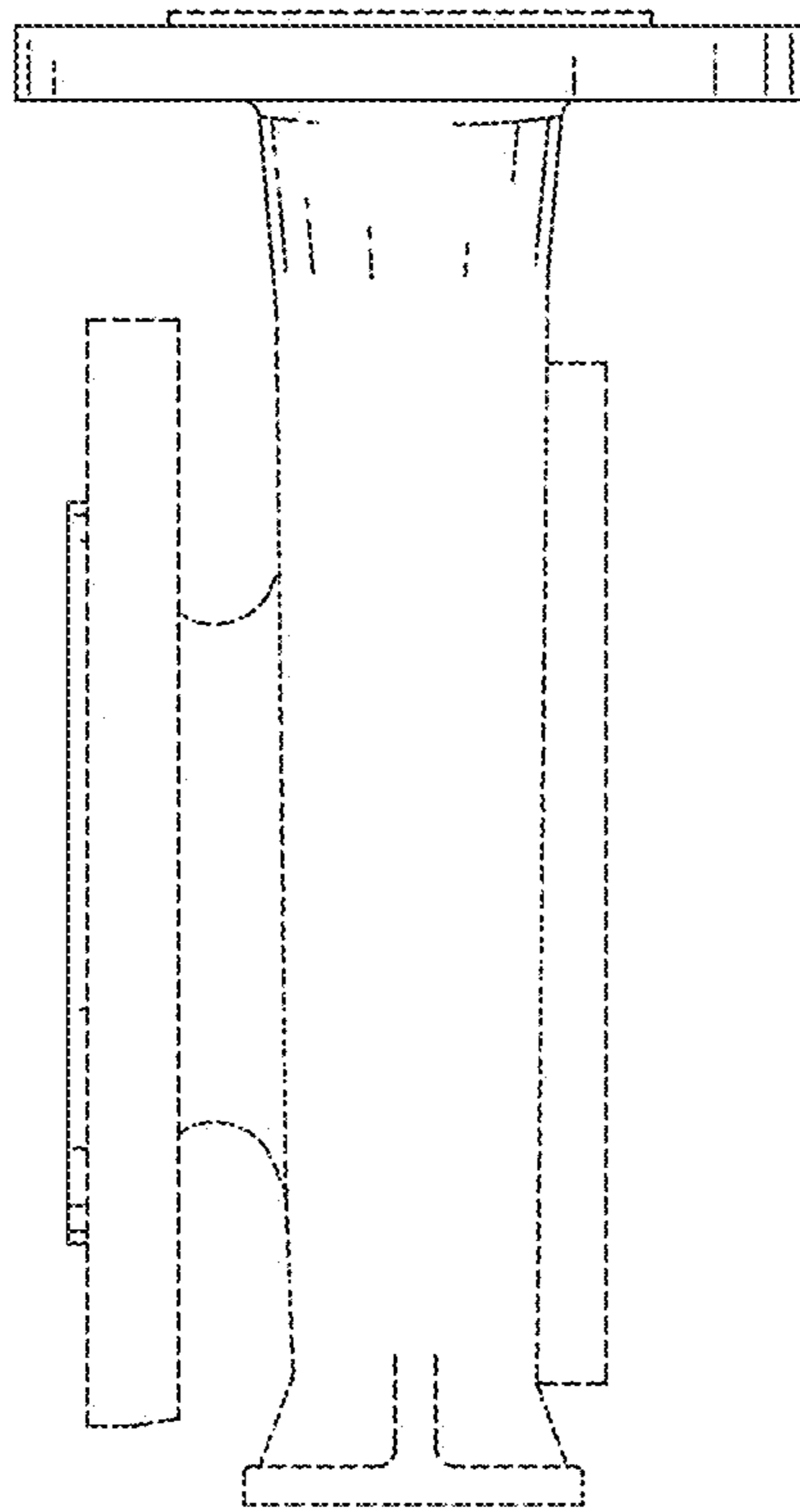


FIG. 26

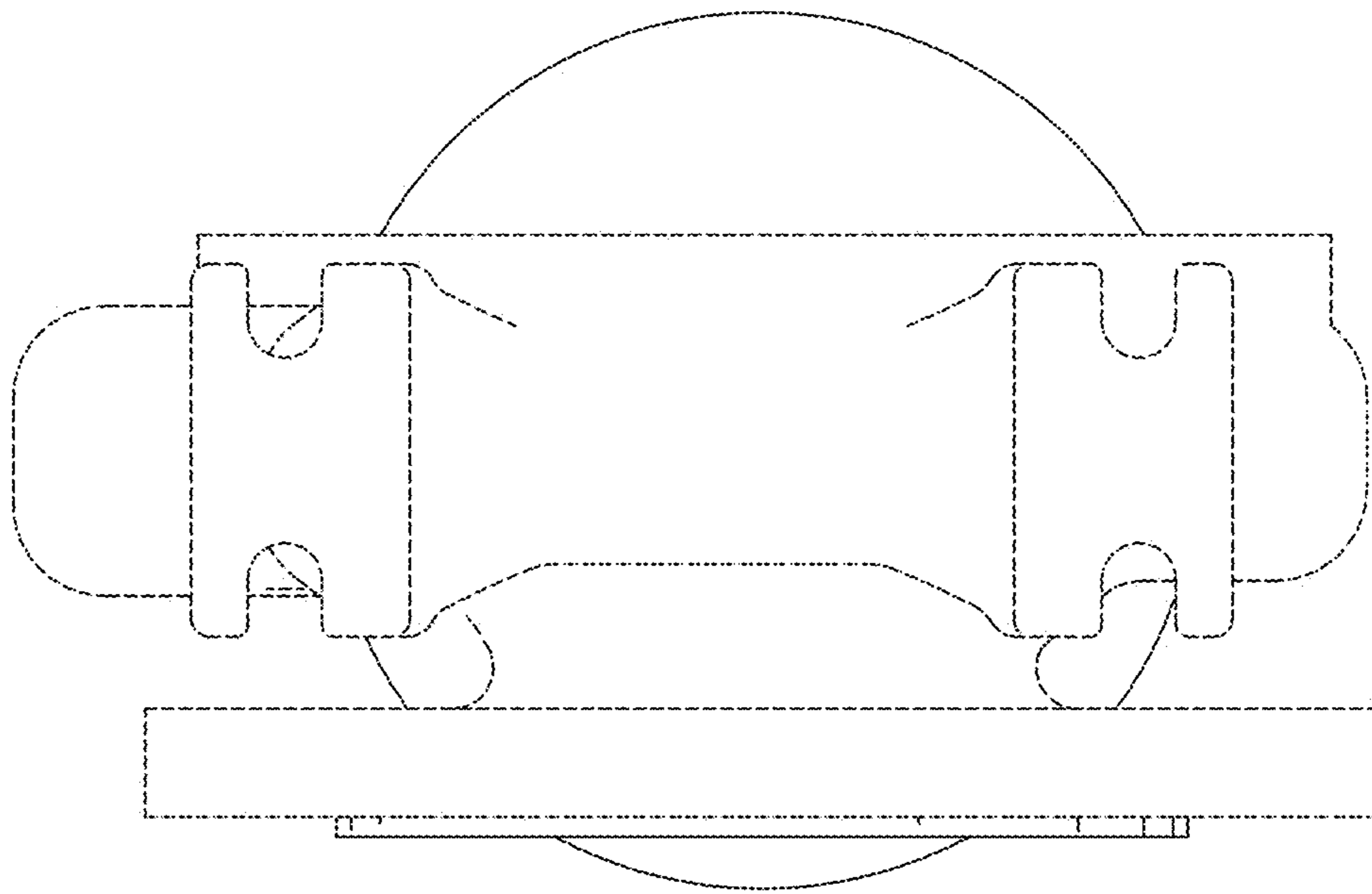


FIG. 27

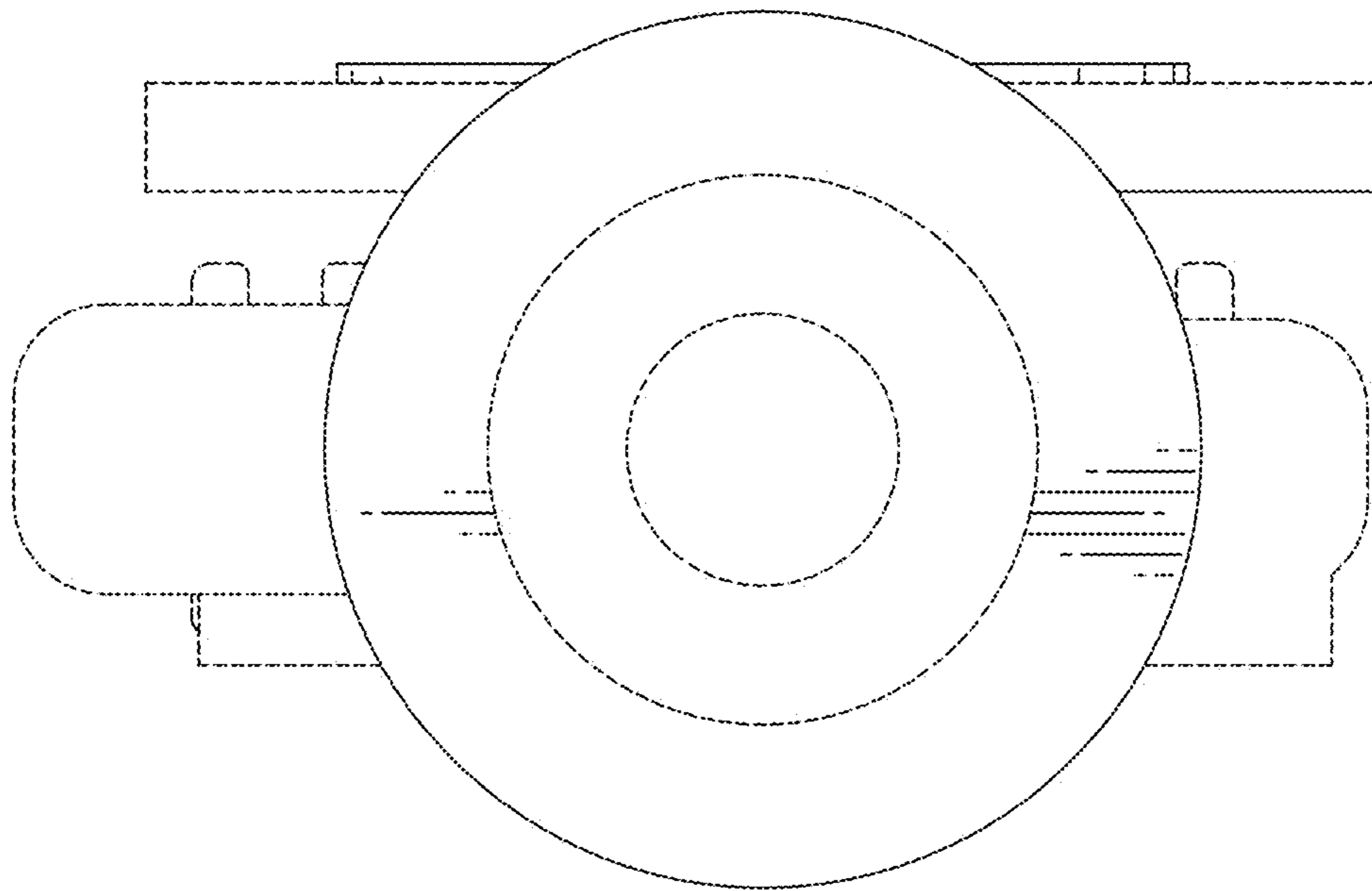


FIG. 28

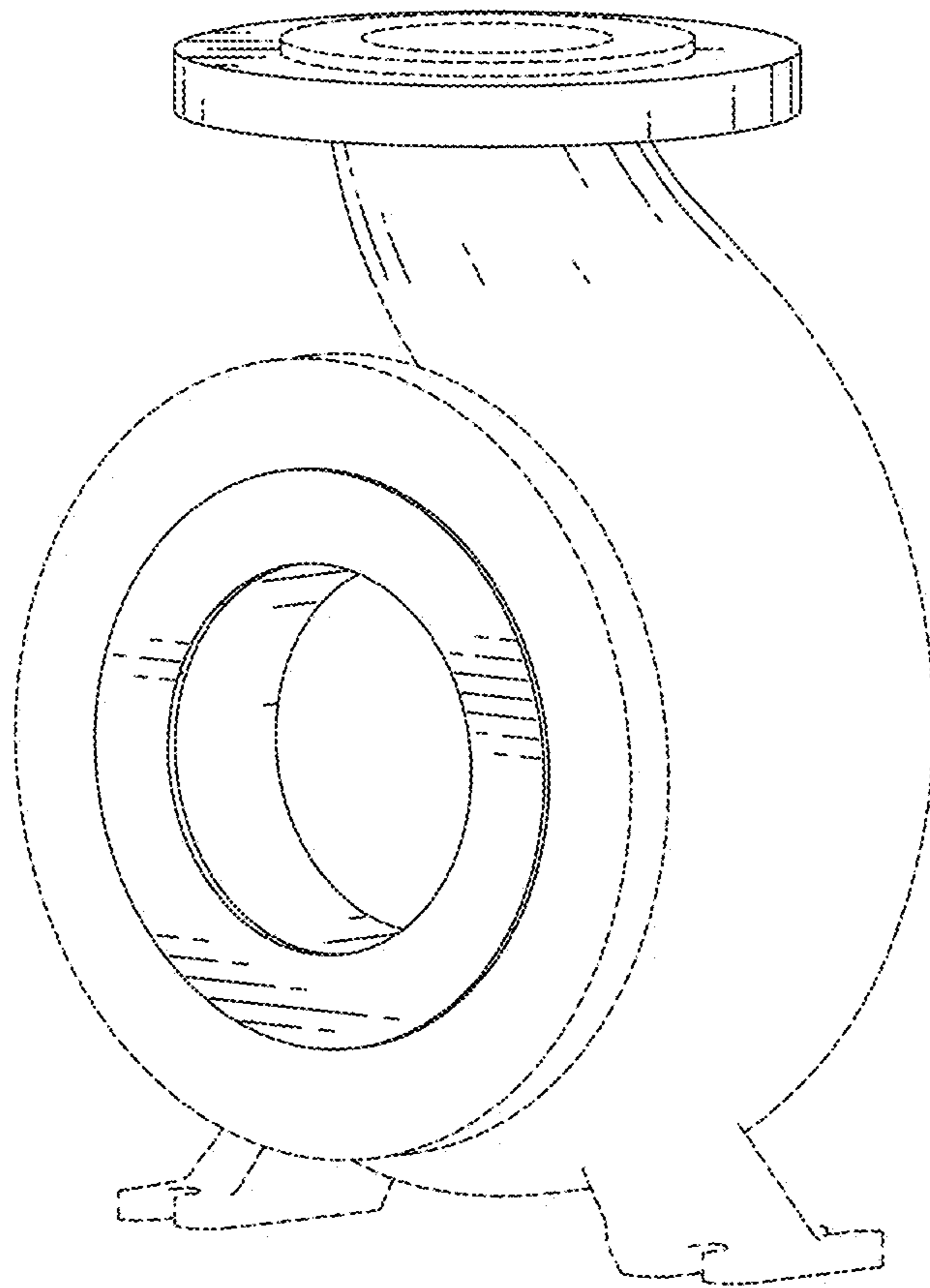


FIG. 29

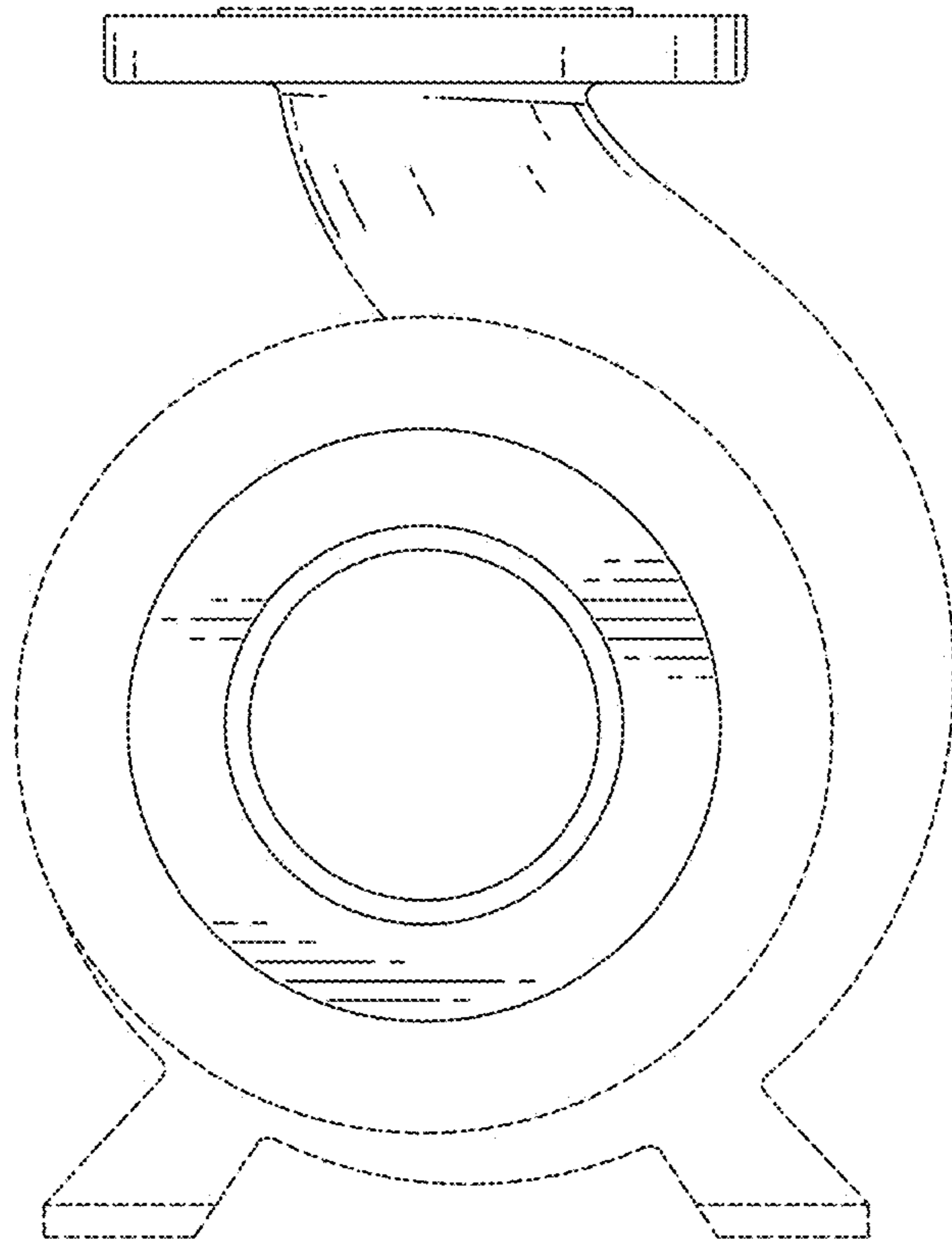


FIG. 30

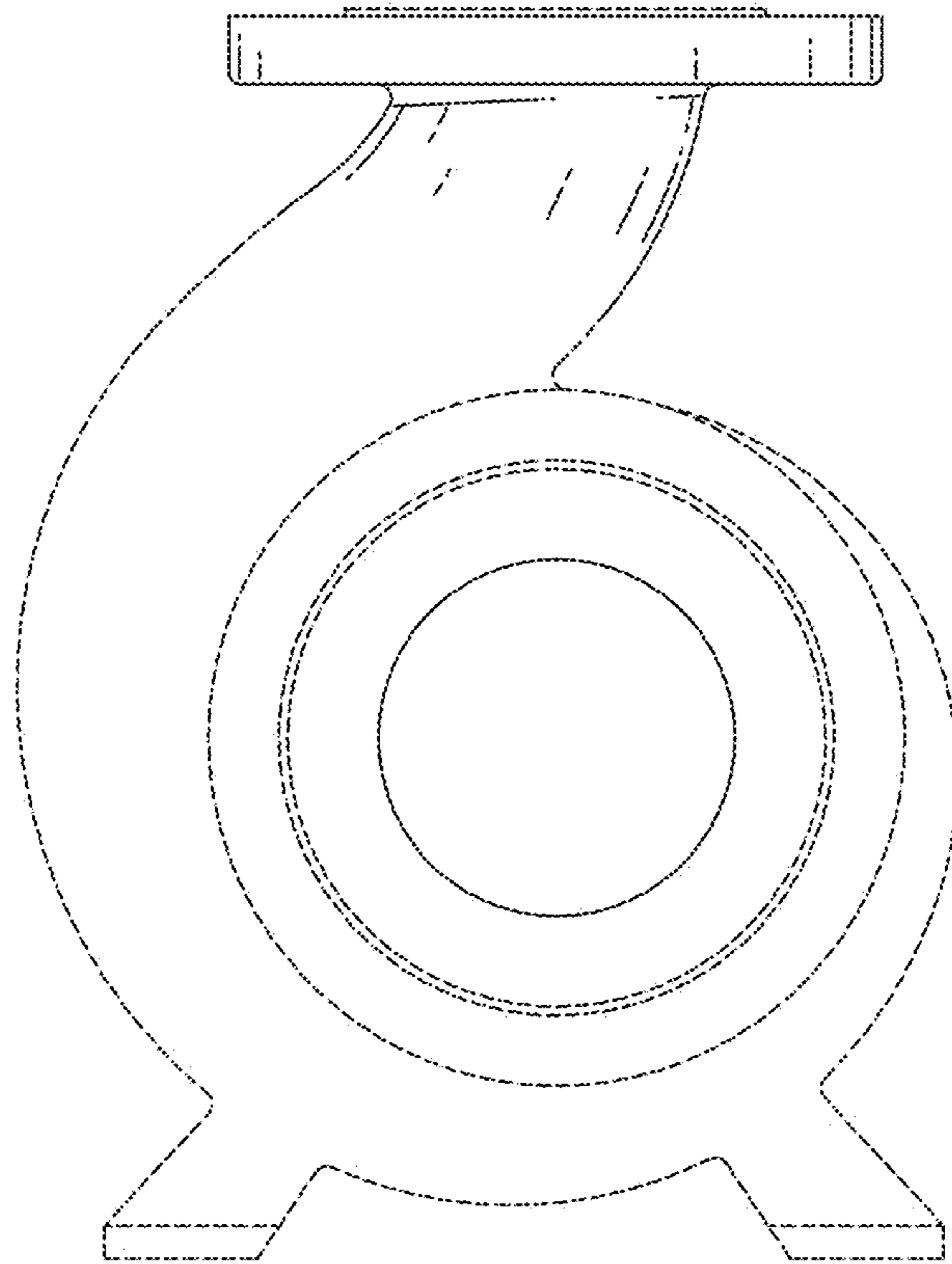


FIG. 31

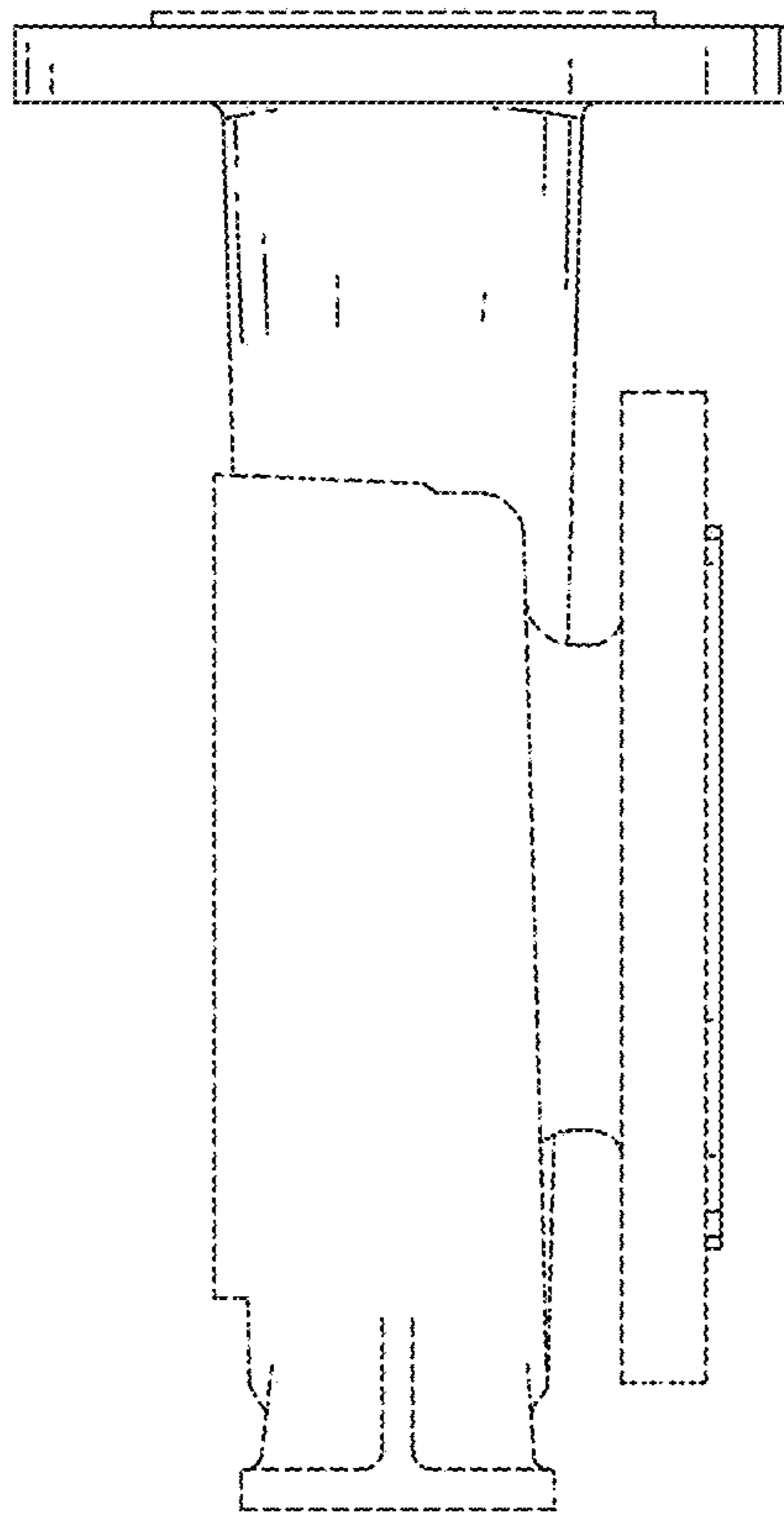


FIG. 32

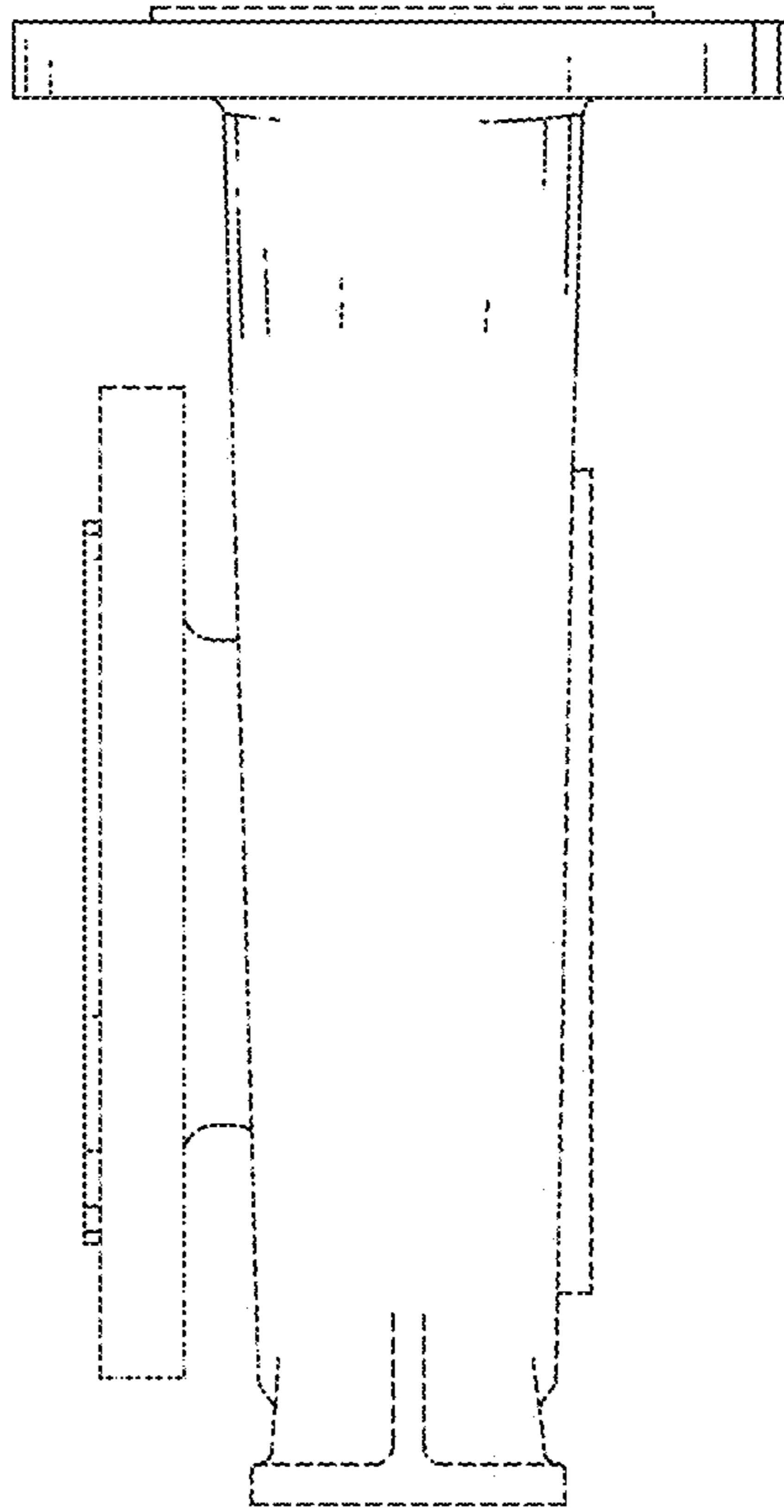


FIG. 33

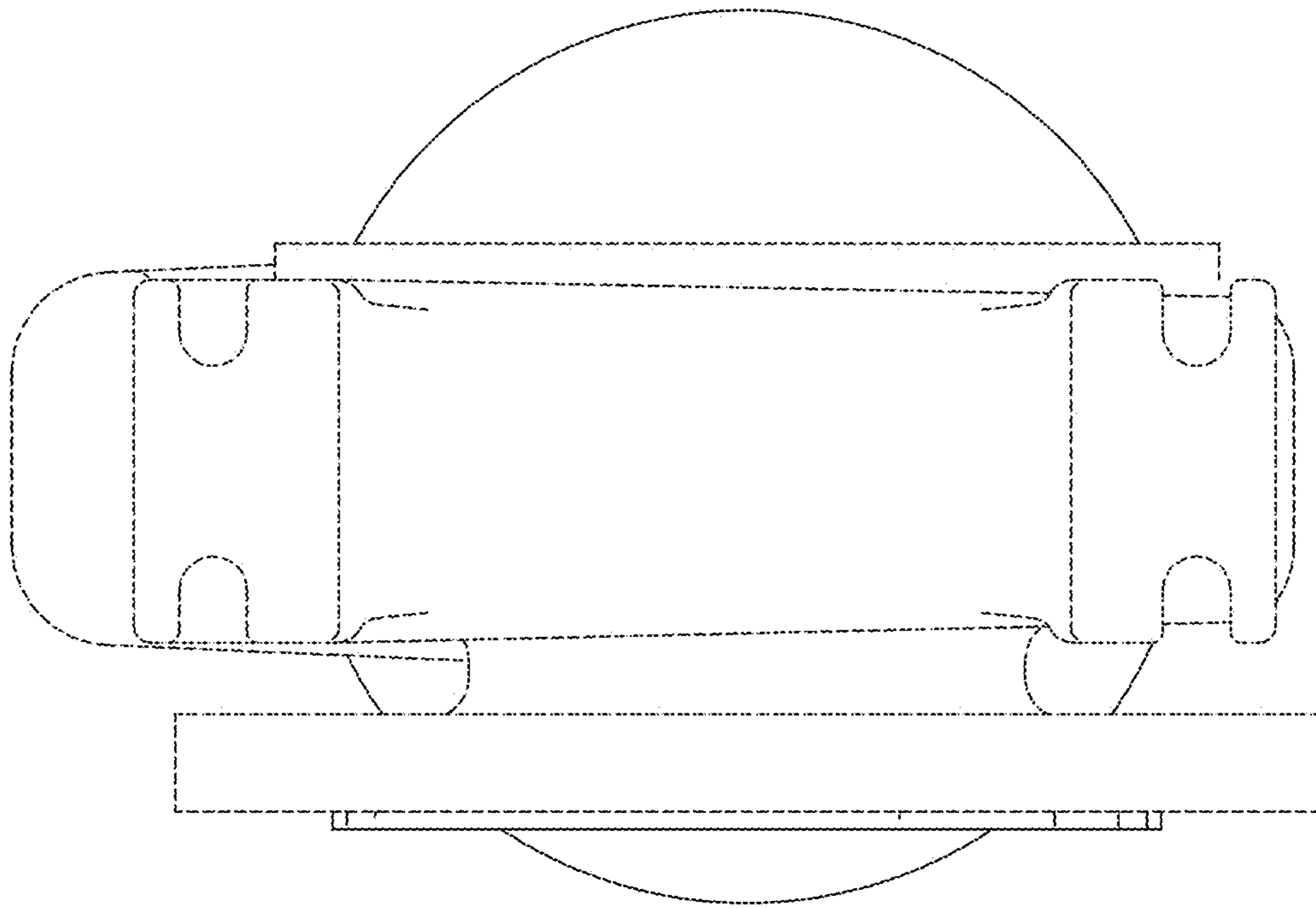


FIG. 34

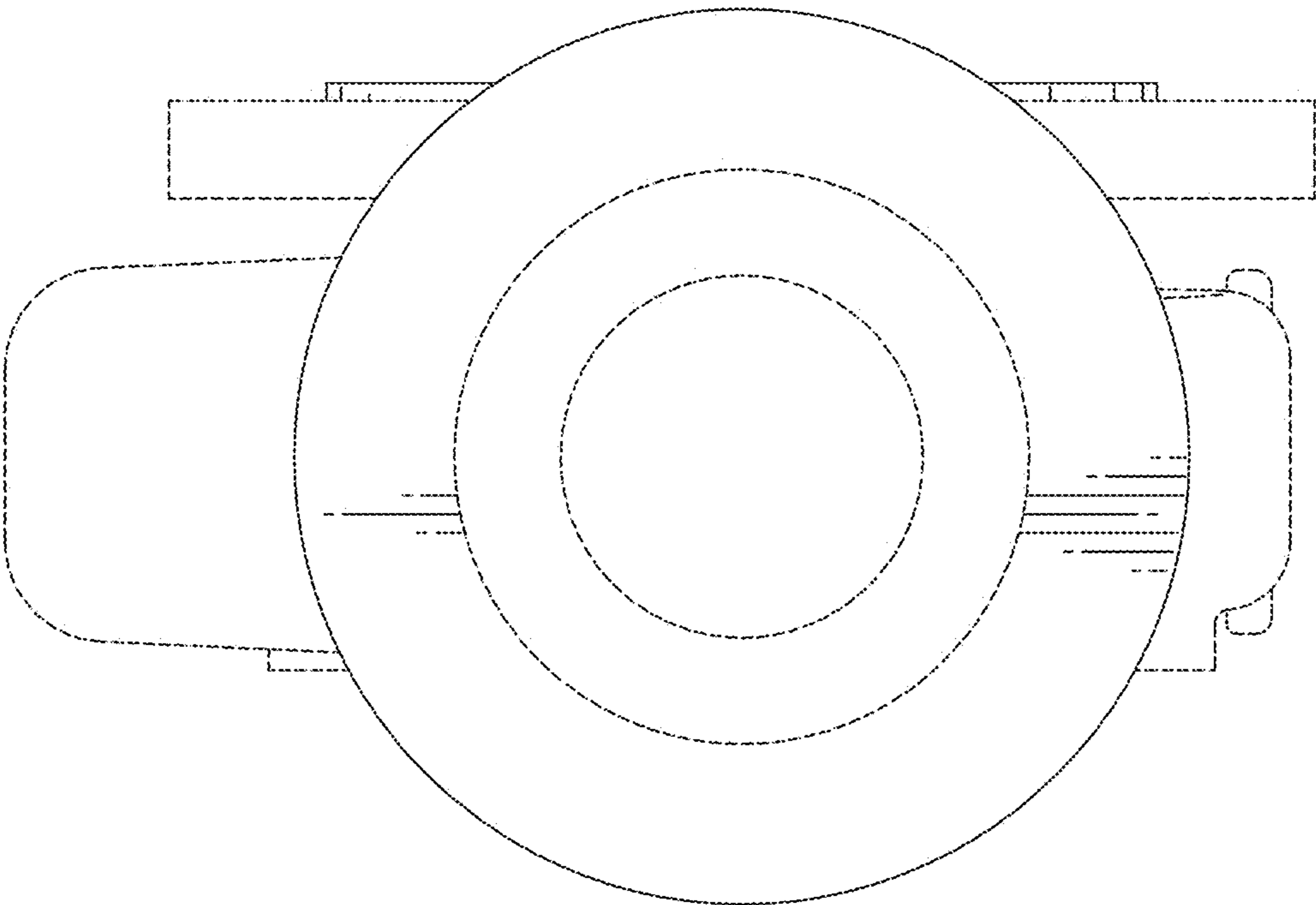


FIG. 35

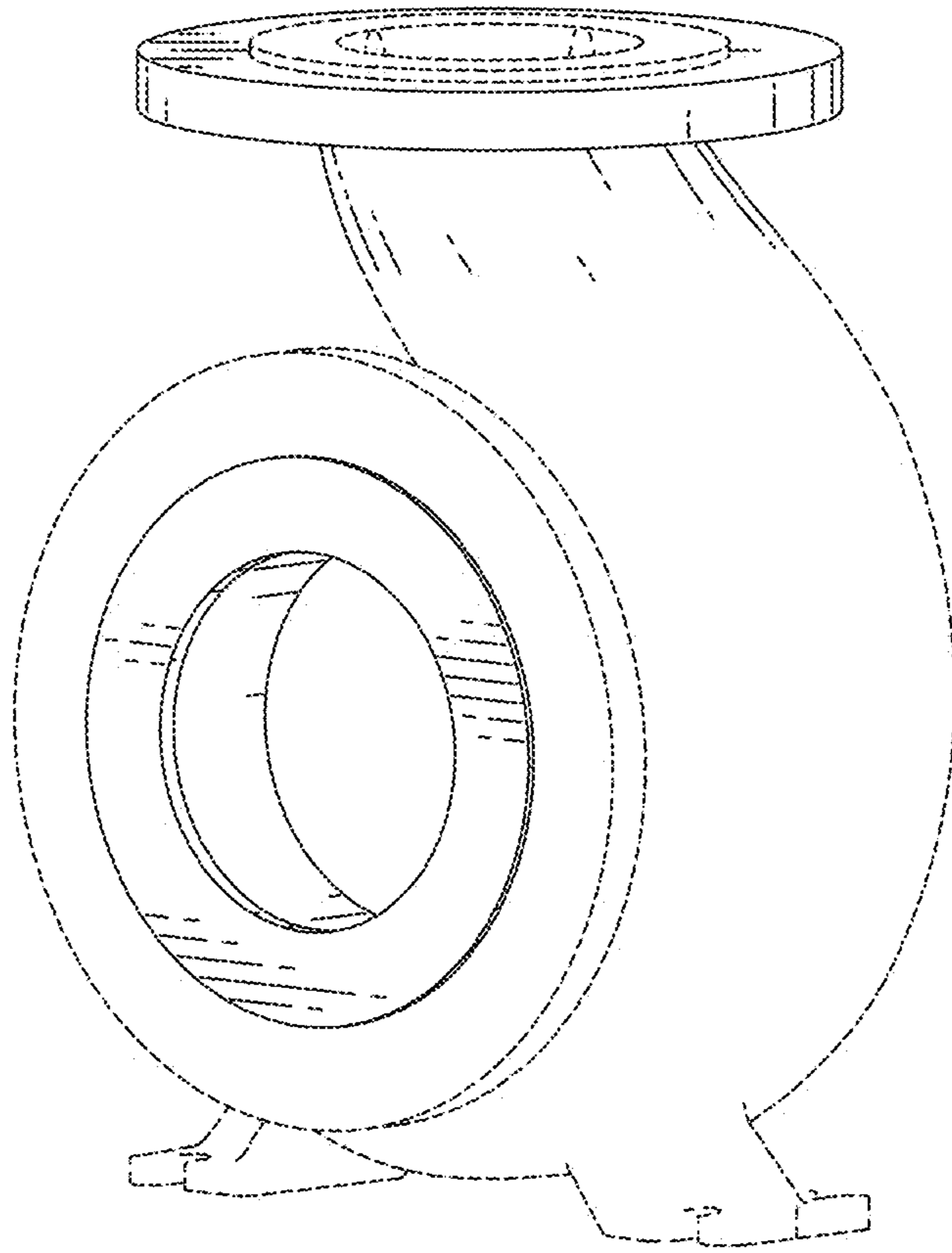


FIG. 36

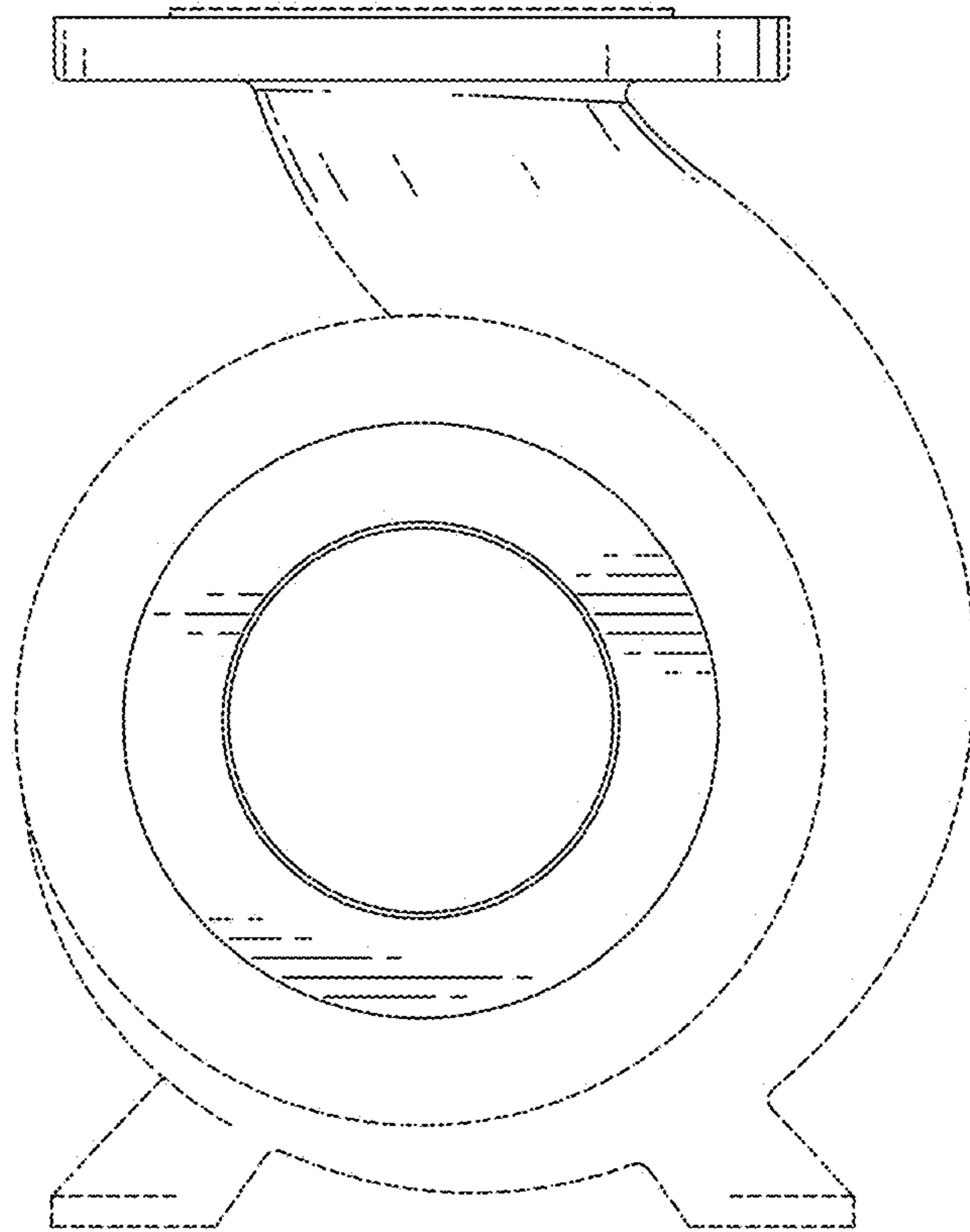


FIG. 37

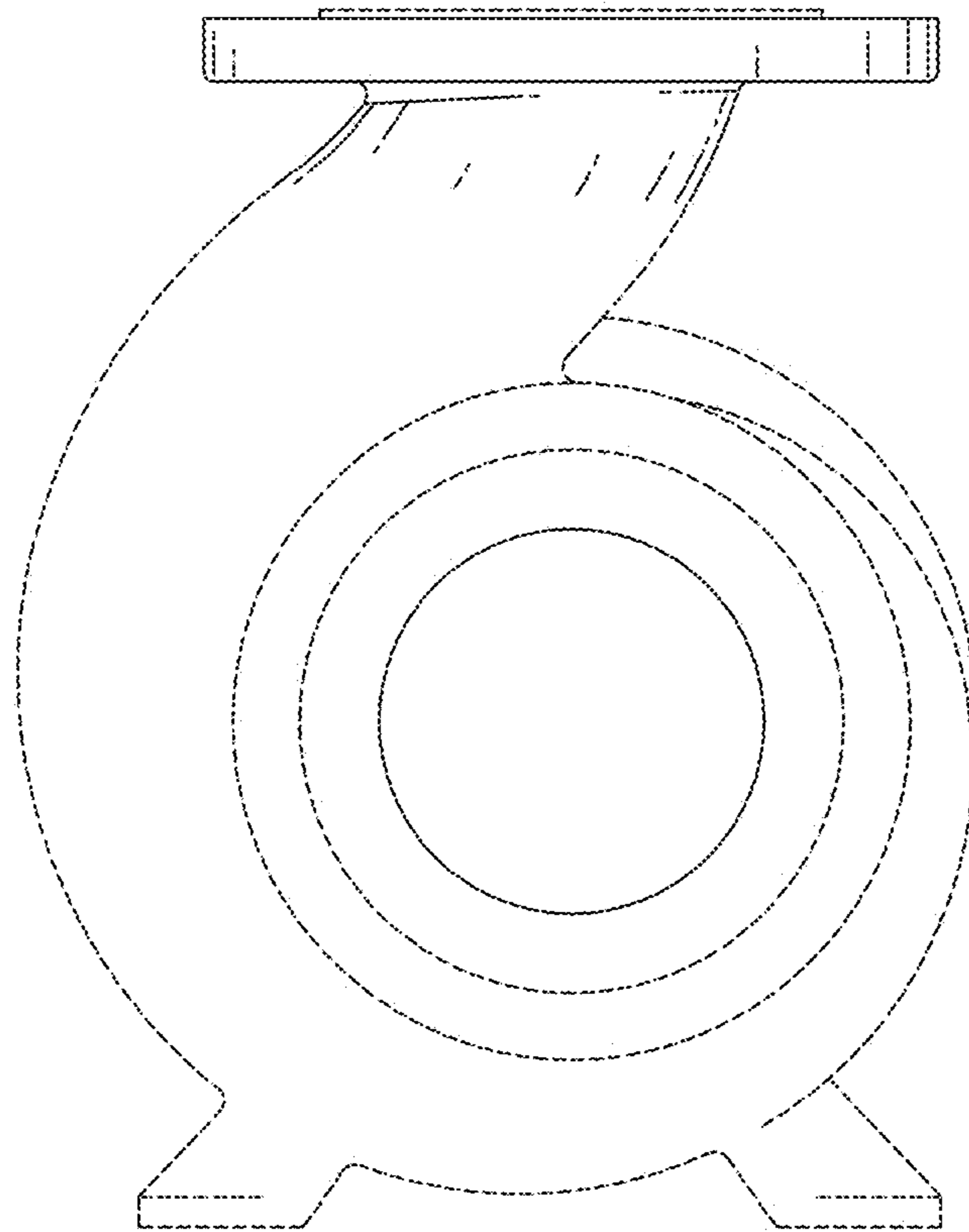


FIG. 38

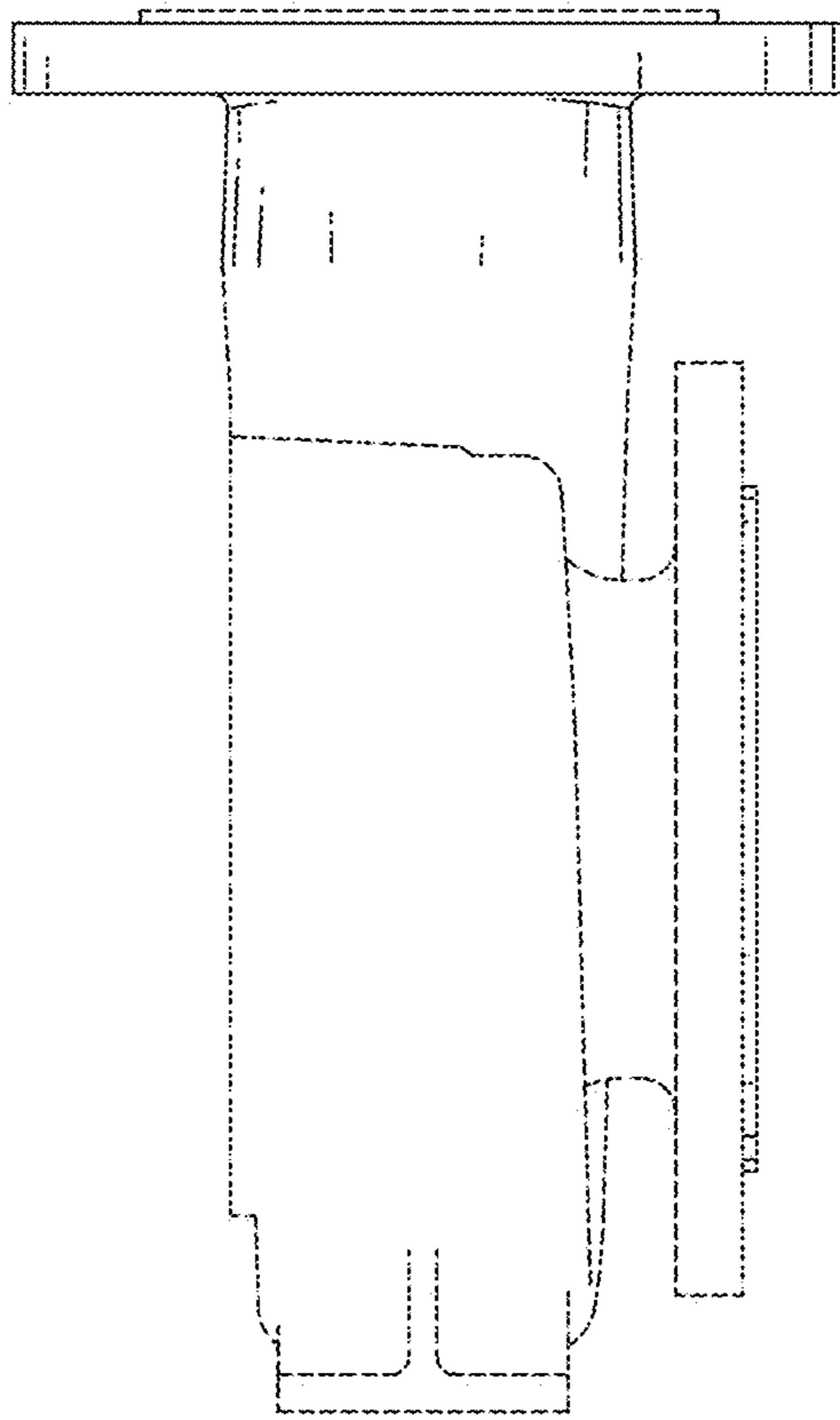


FIG. 39

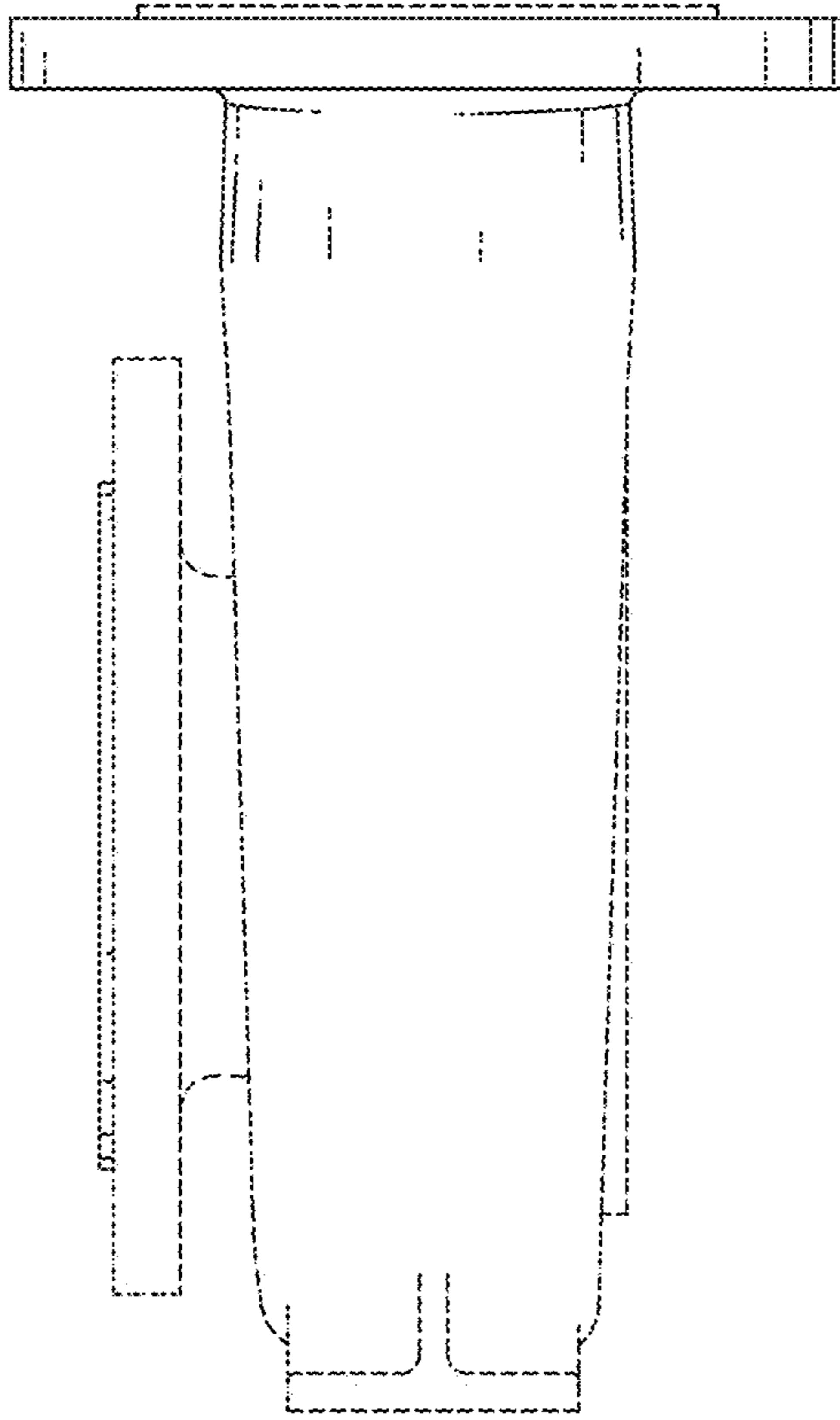


FIG. 40

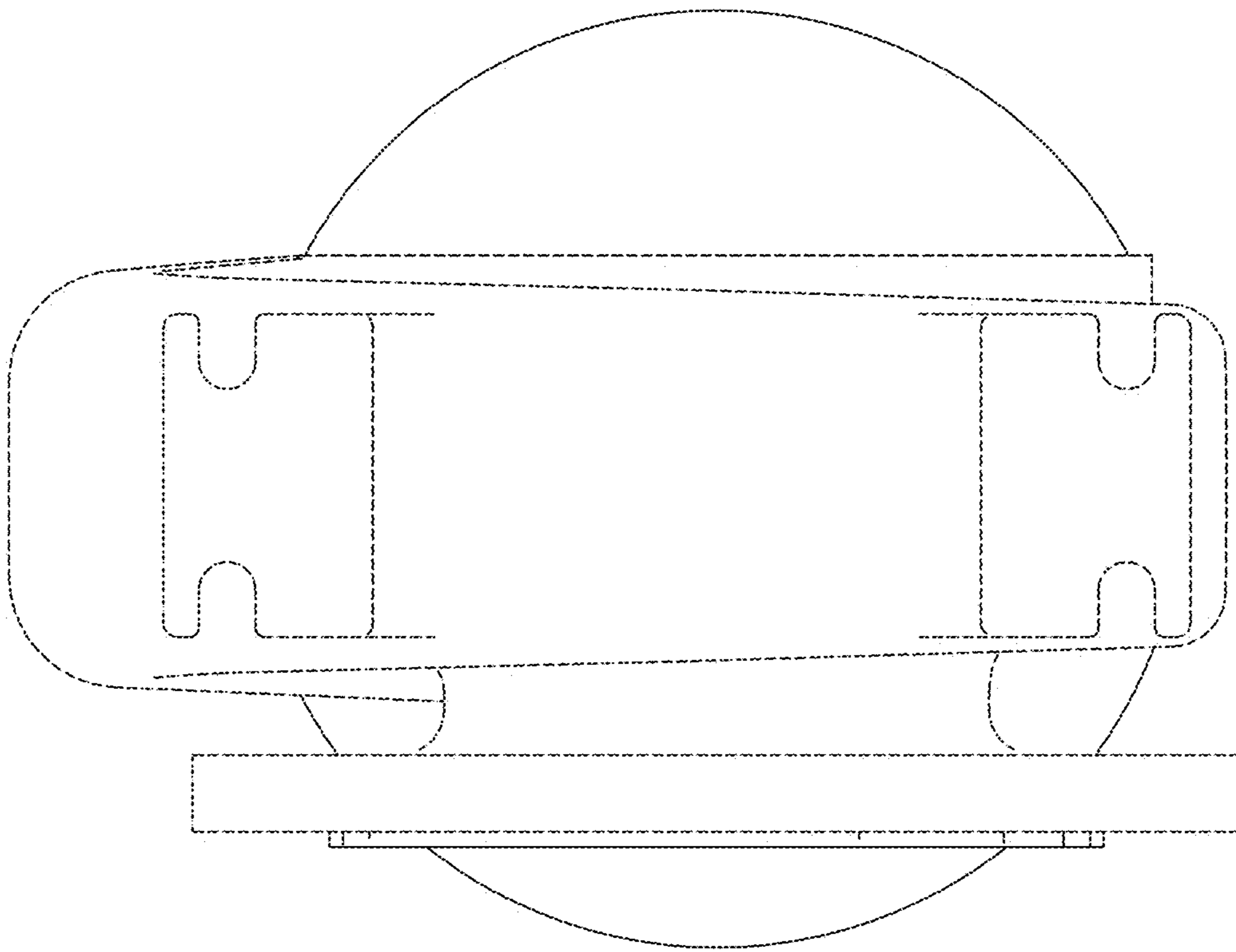


FIG. 41

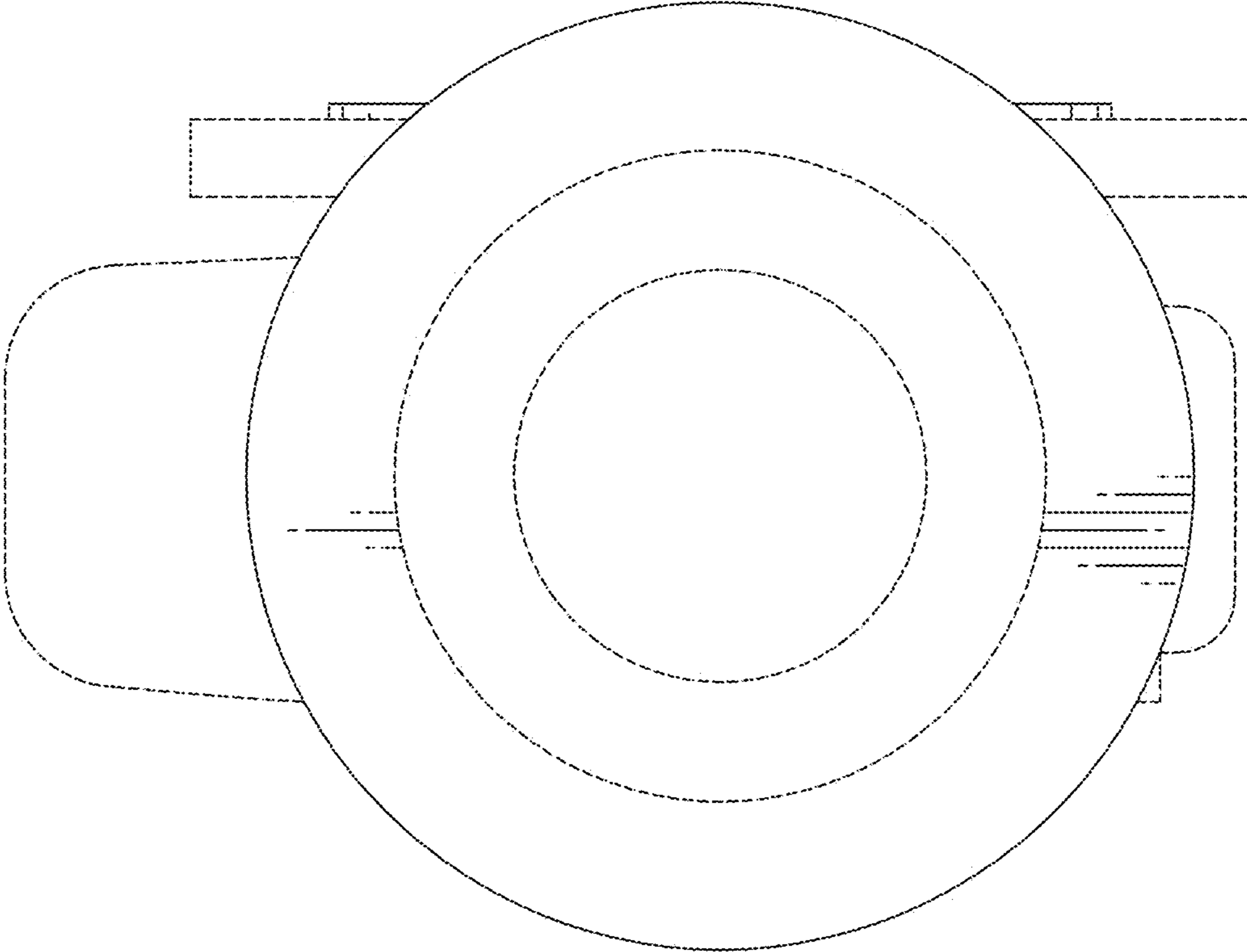


FIG. 42

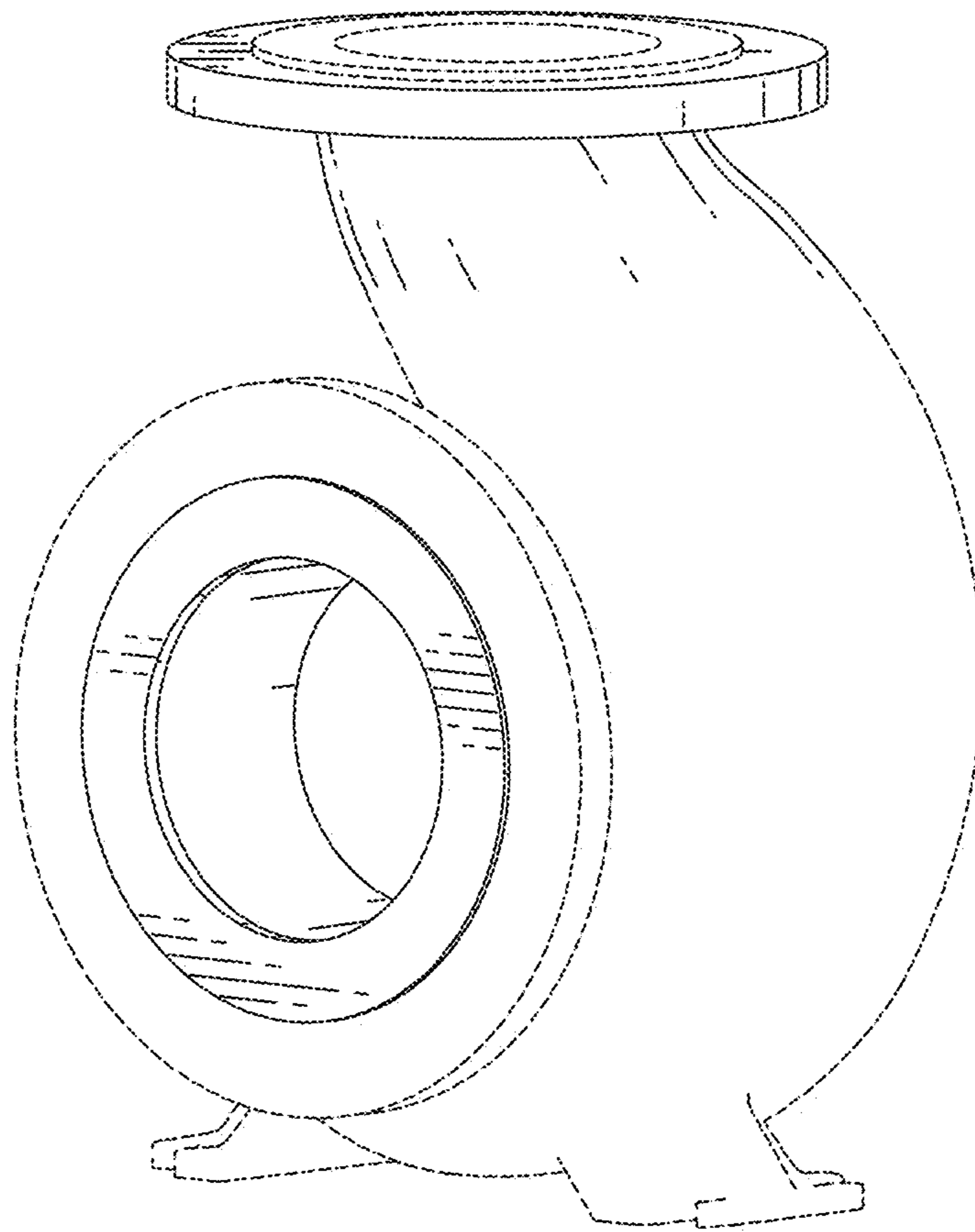


FIG. 43

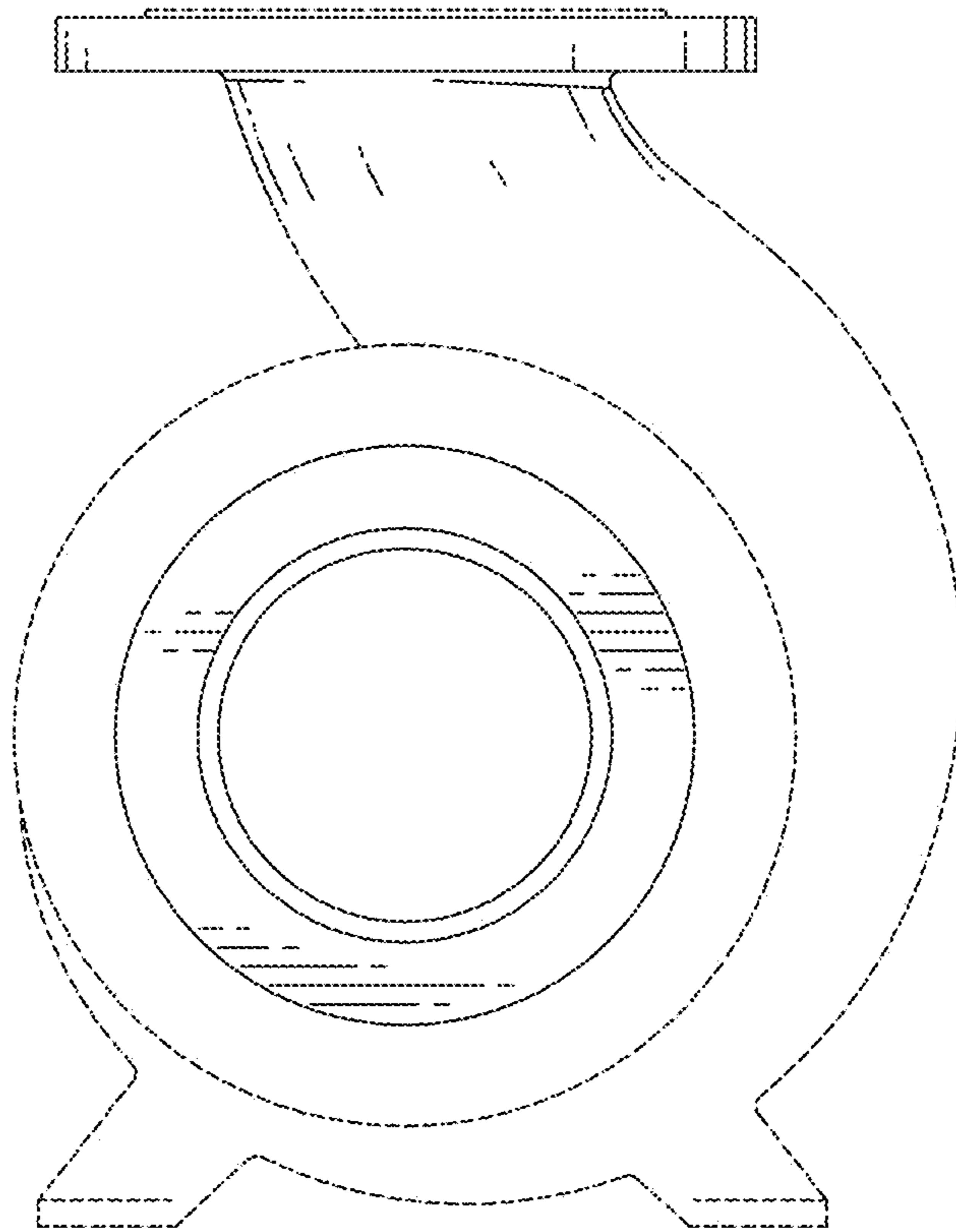


FIG. 44

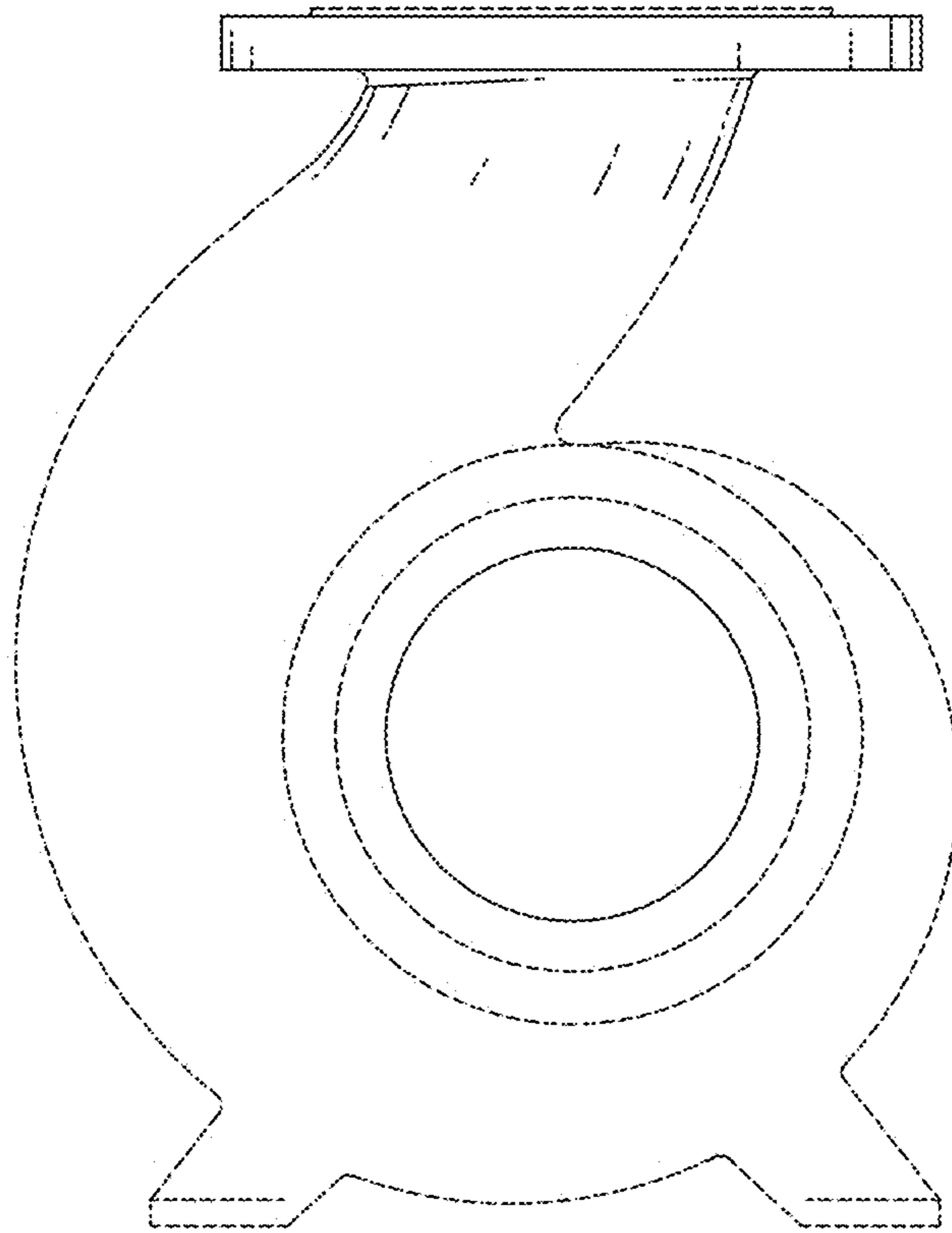


FIG. 45

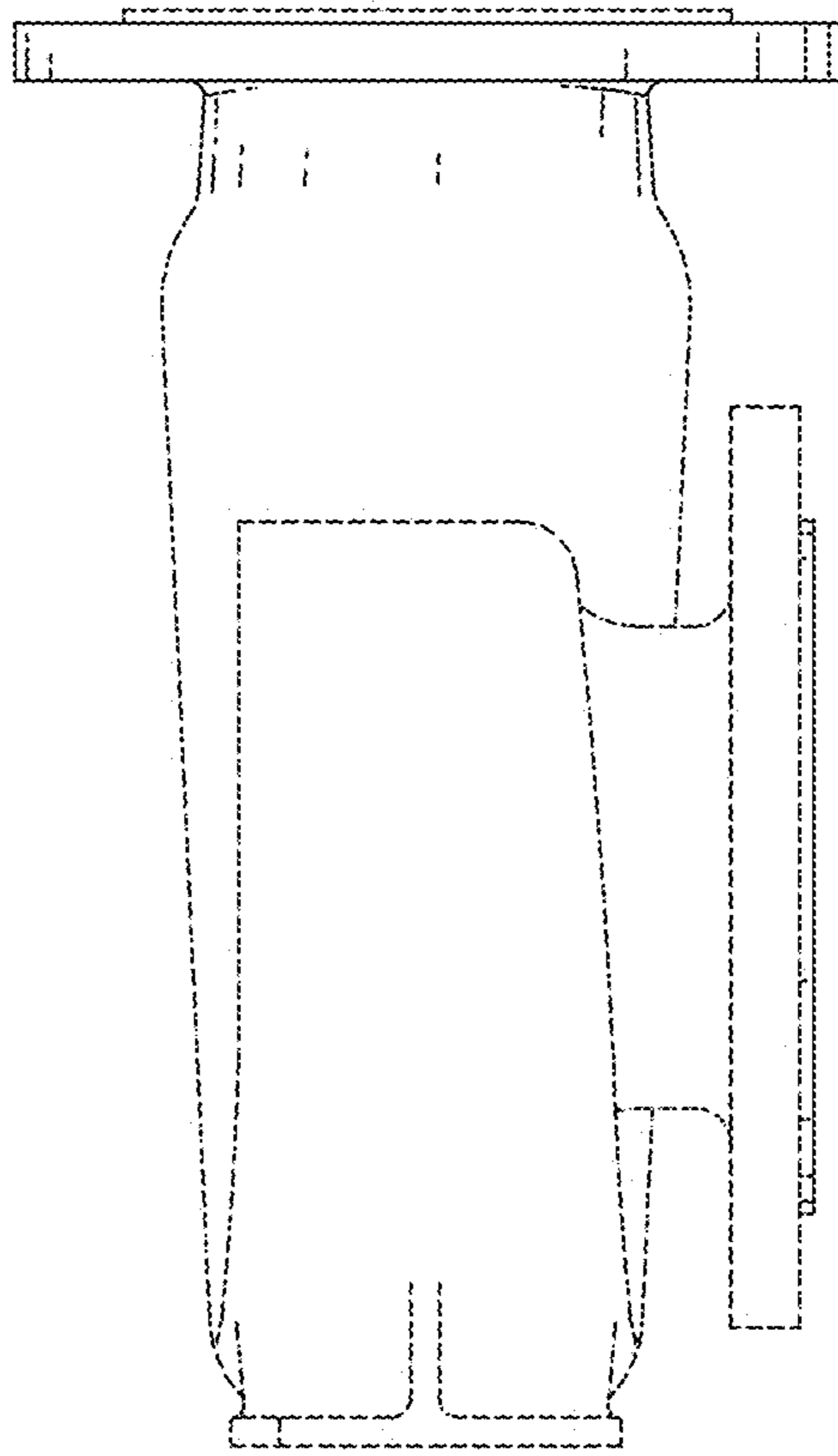


FIG. 46

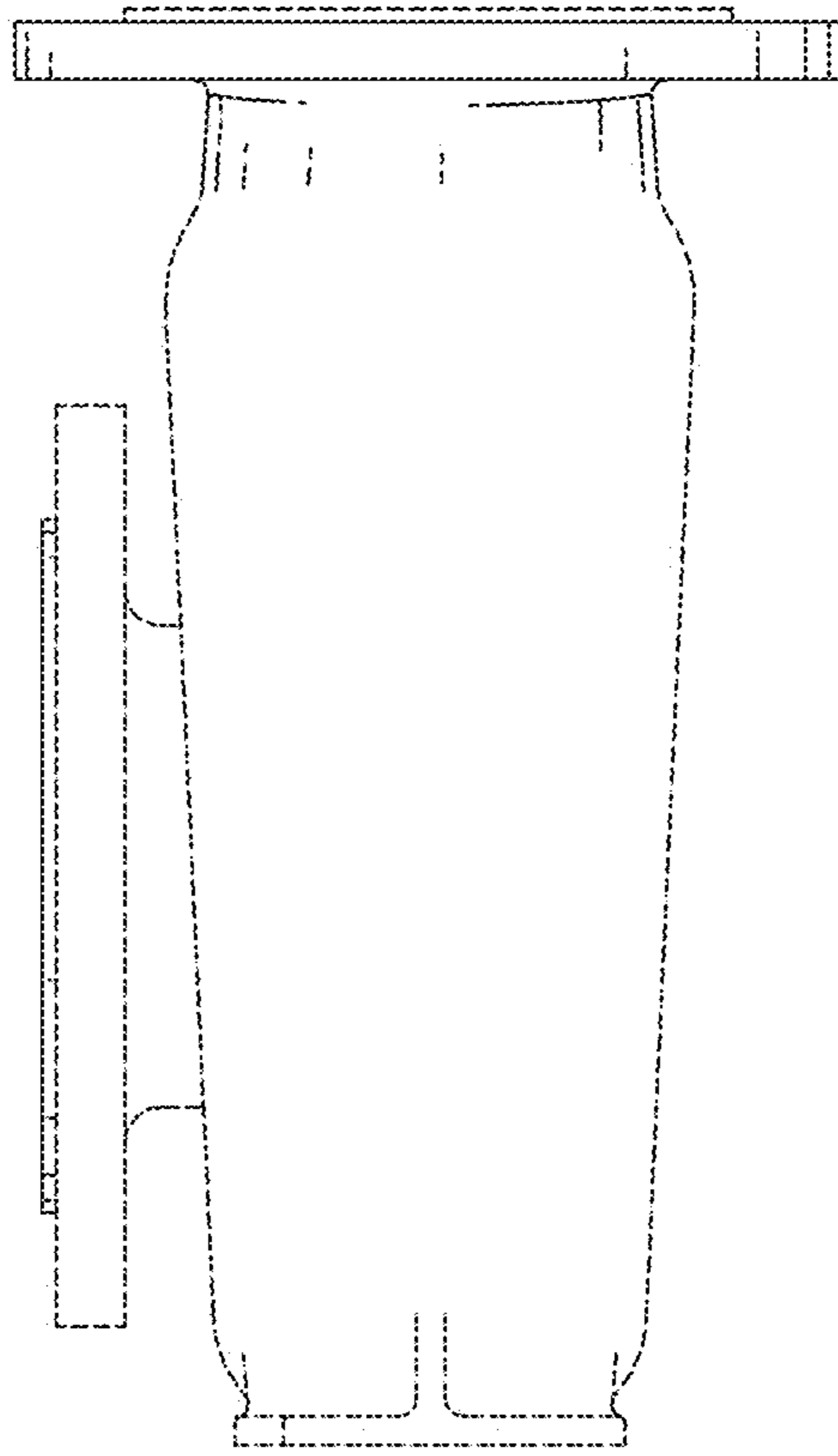


FIG. 47

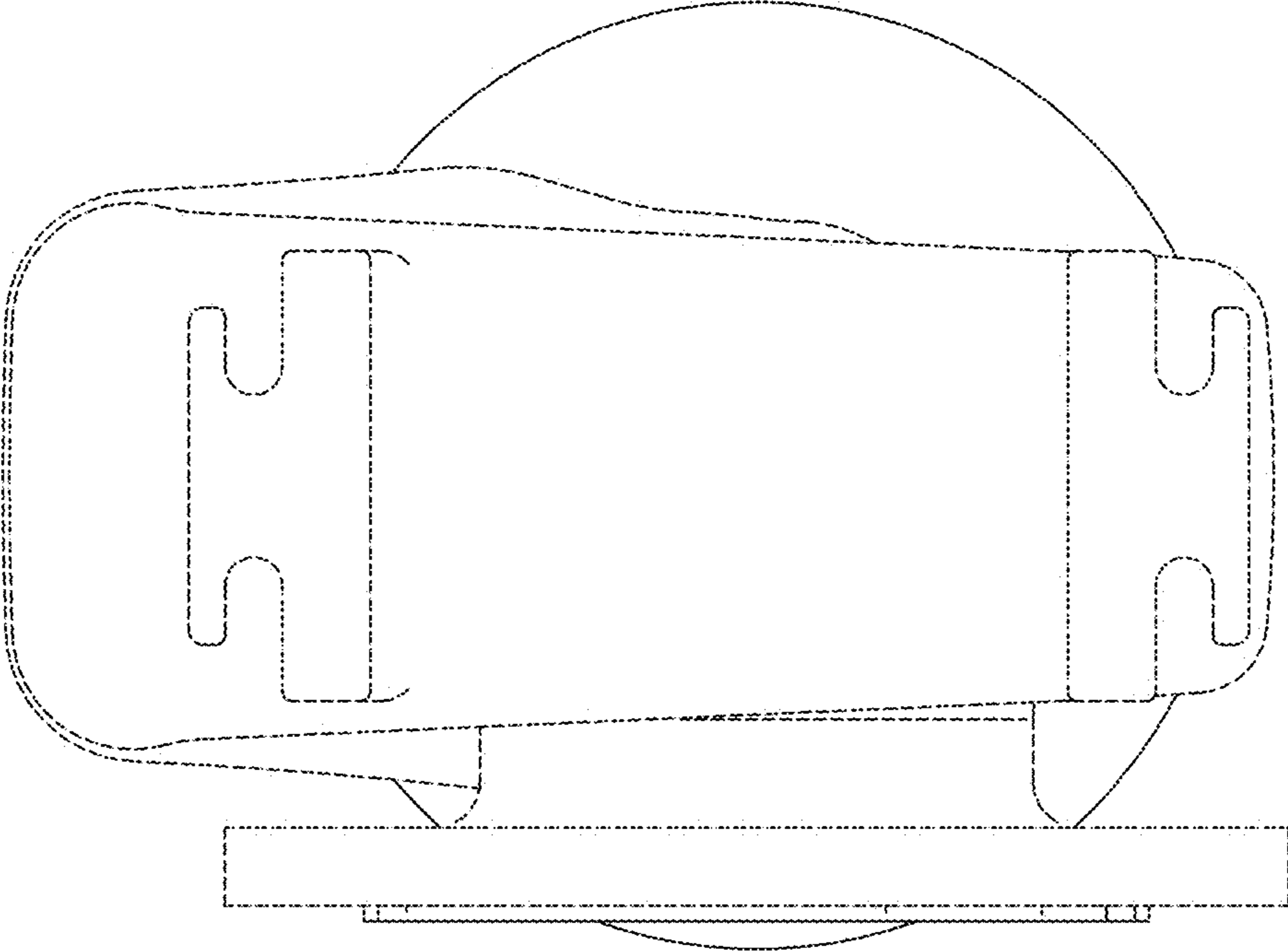


FIG. 48

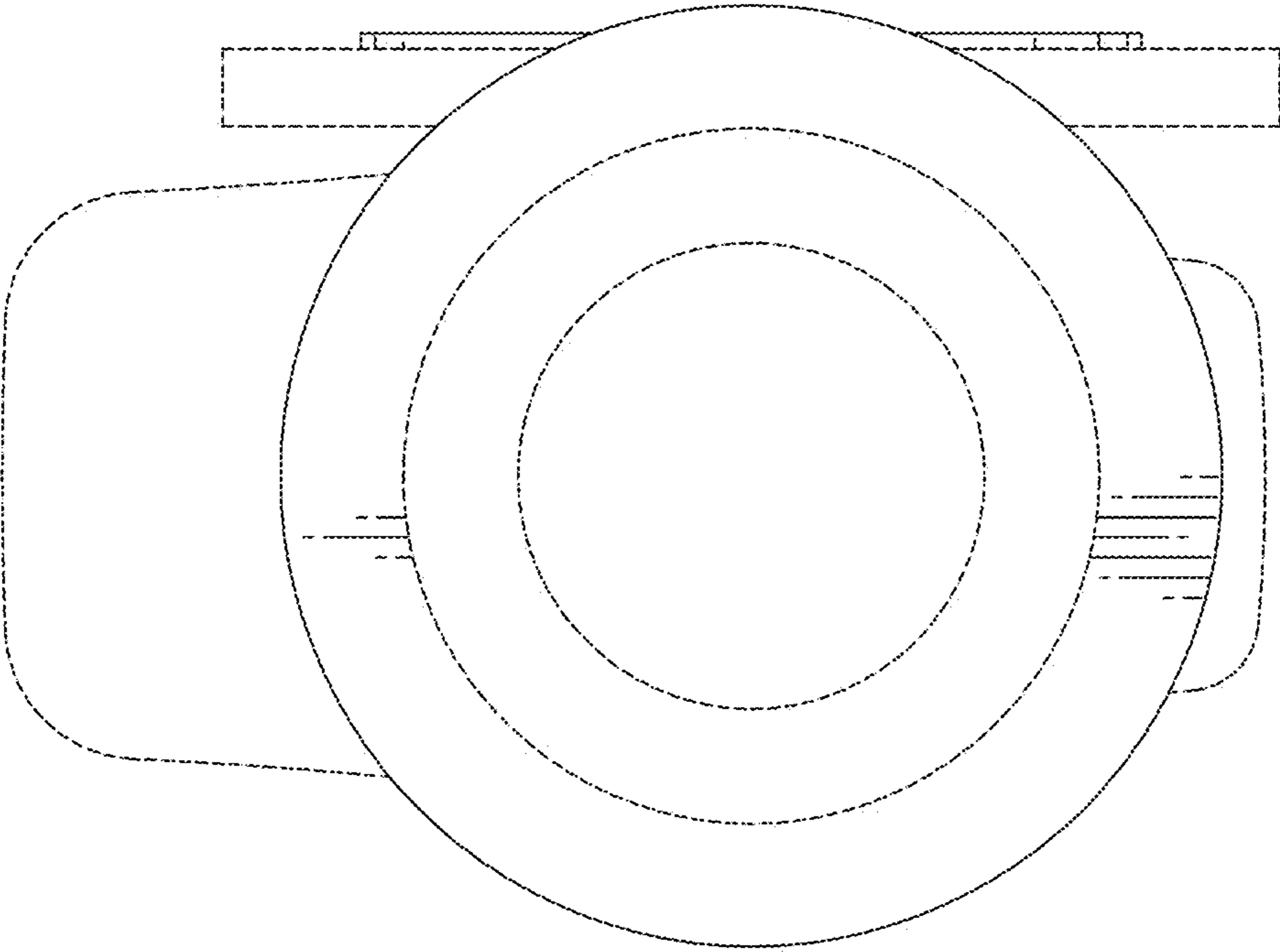


FIG. 49

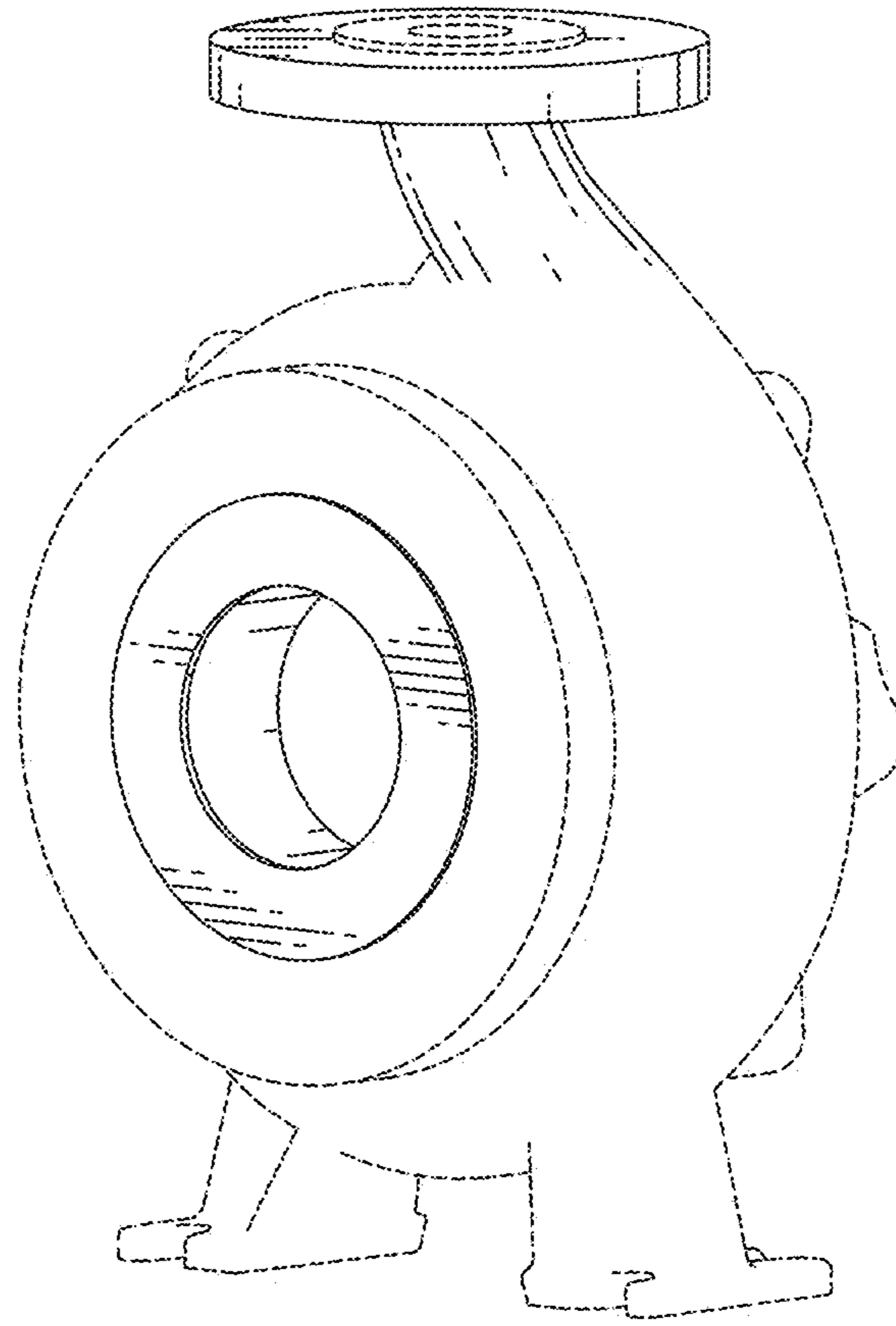


FIG. 50

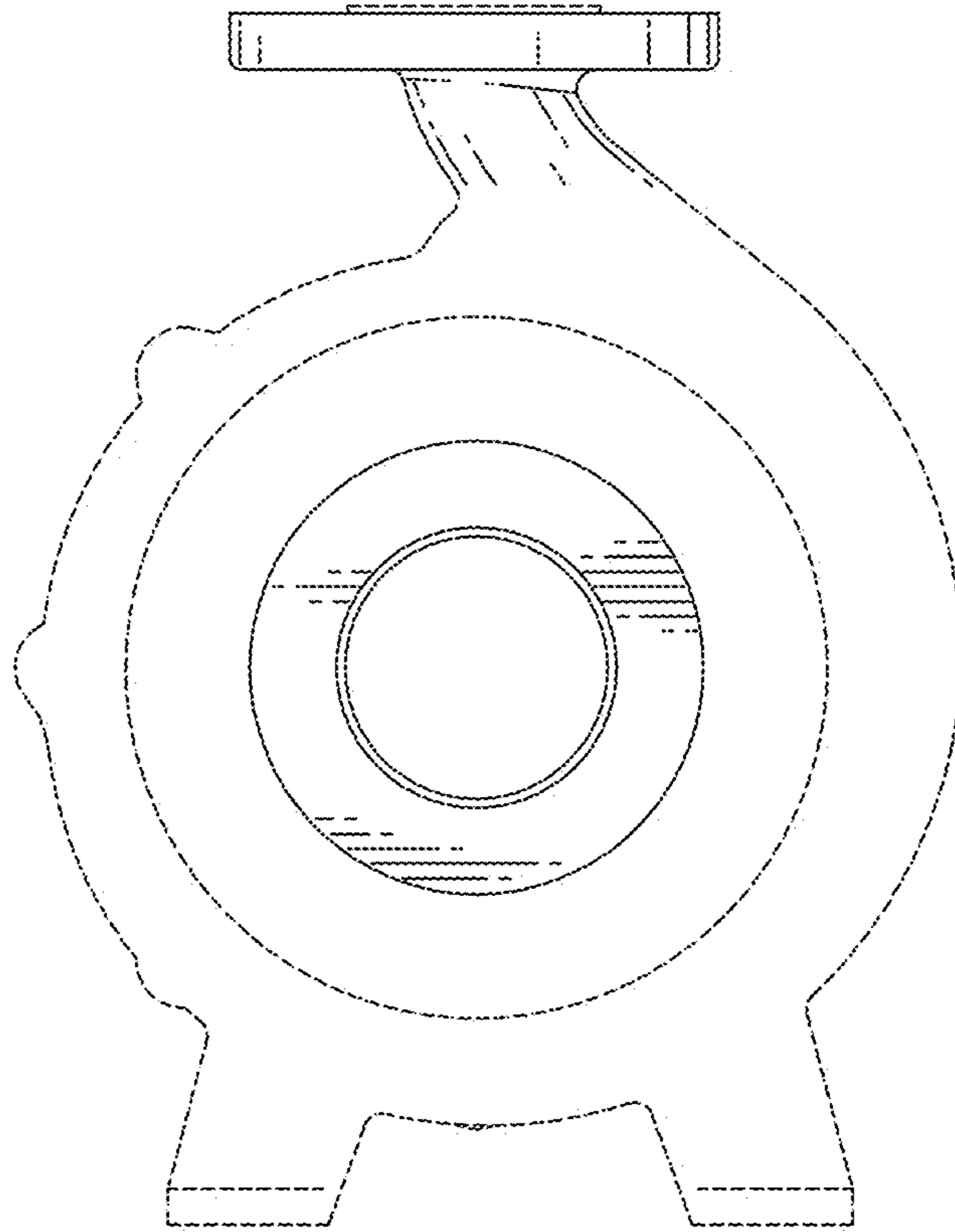


FIG. 51

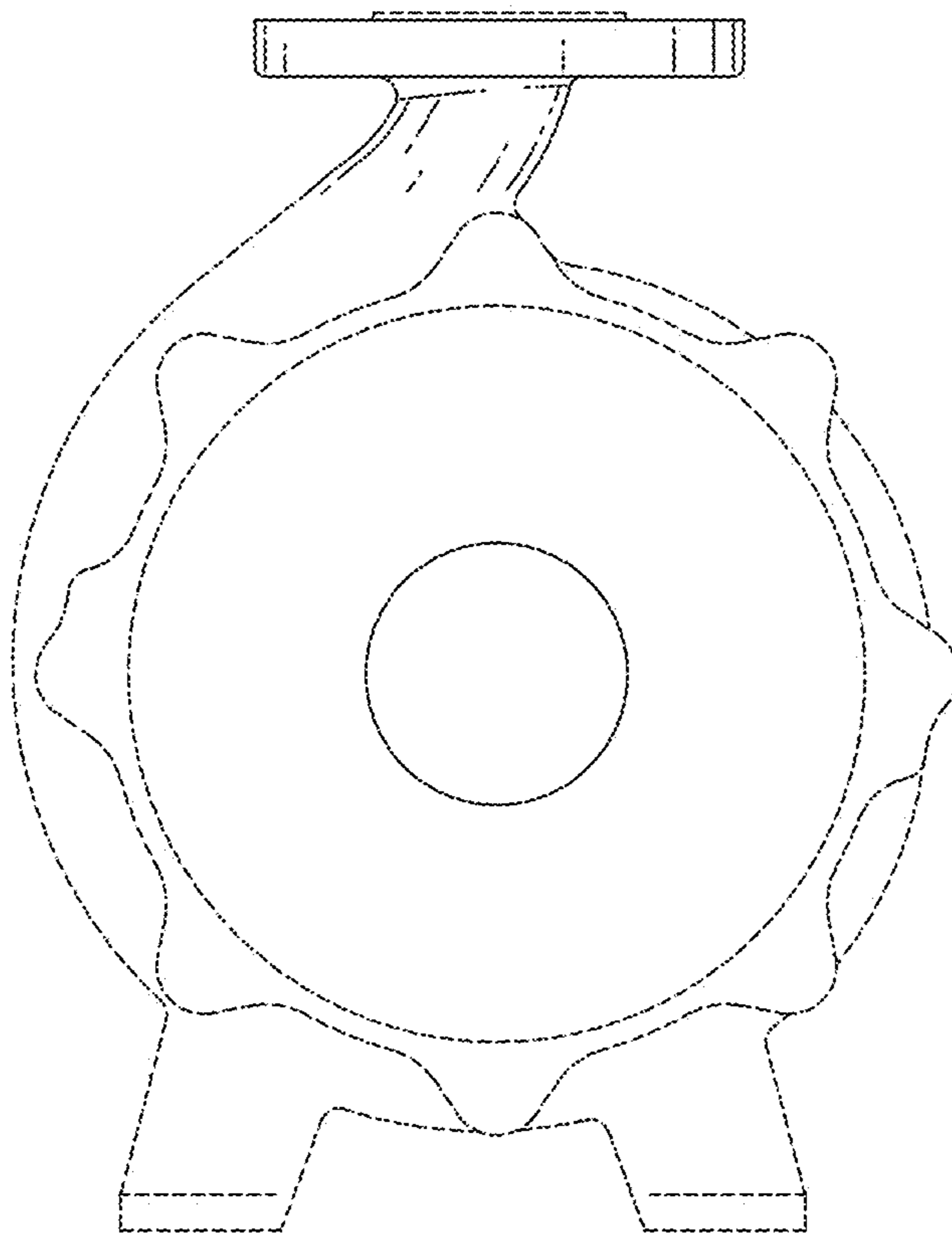


FIG. 52

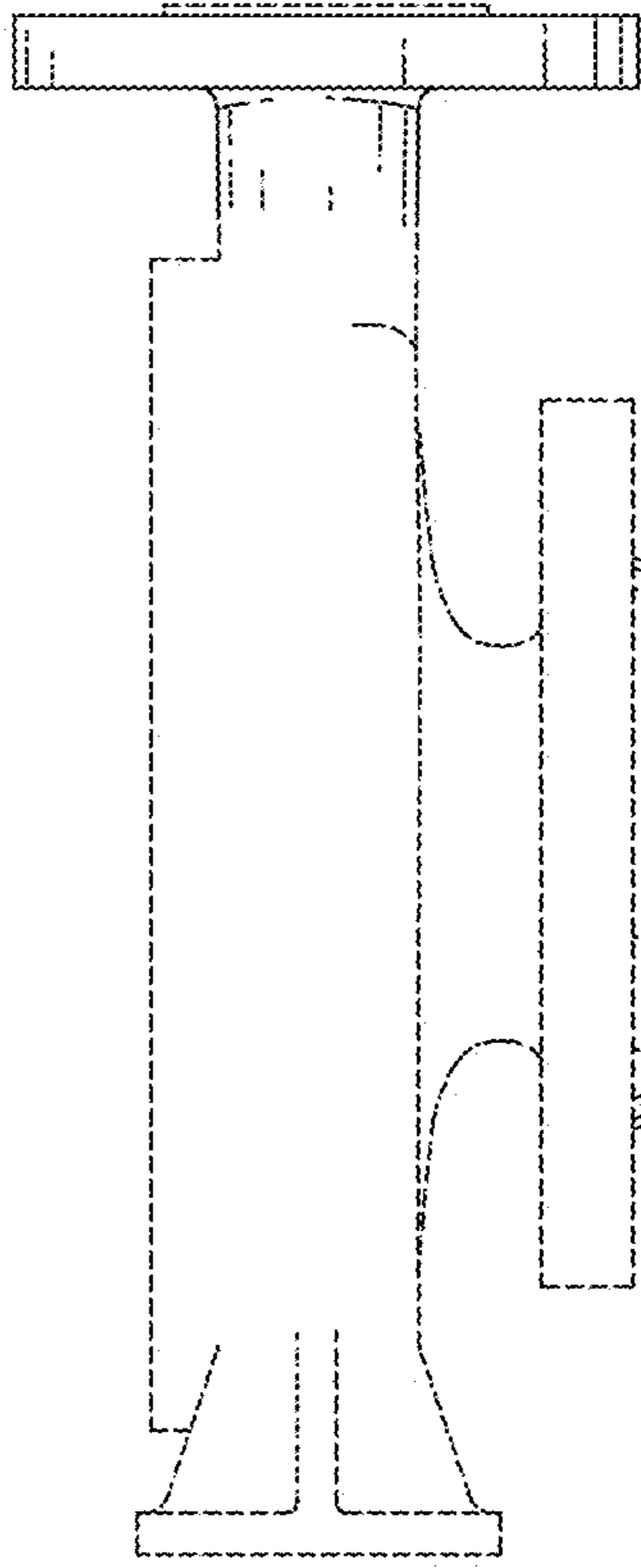


FIG. 53

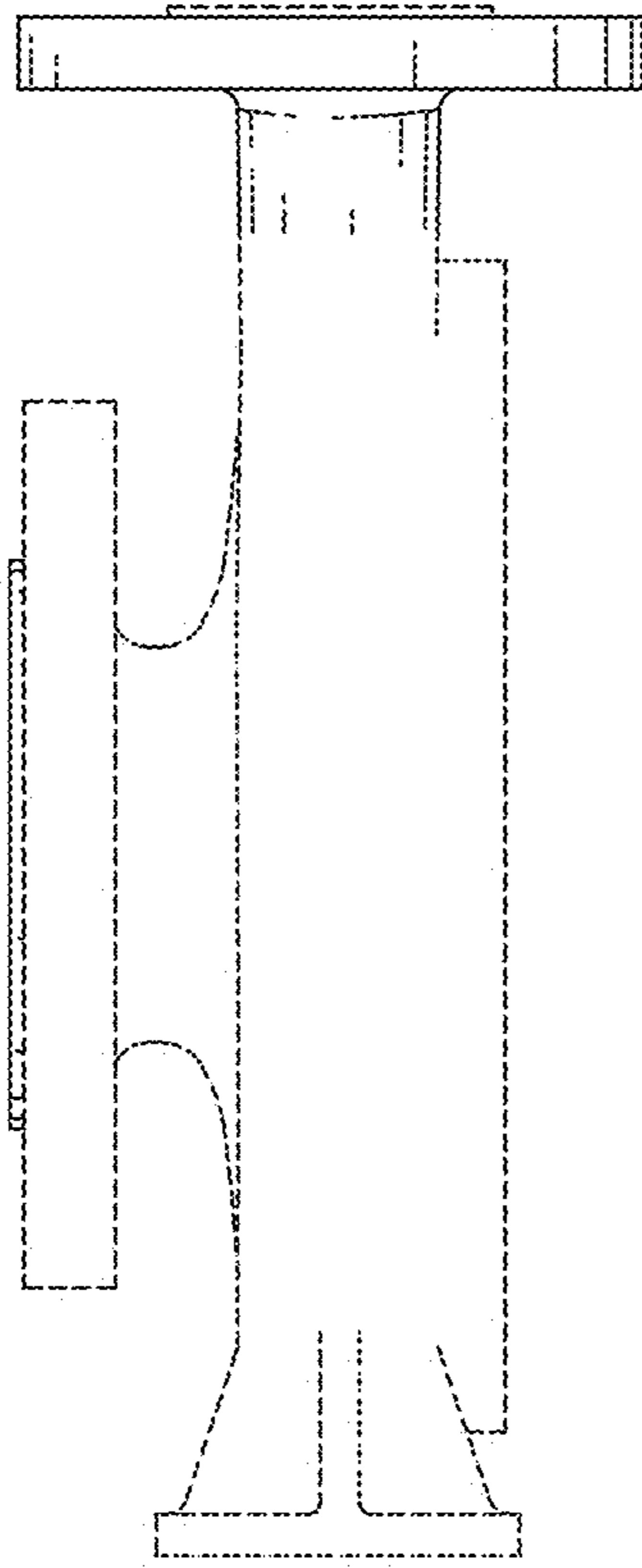


FIG. 54

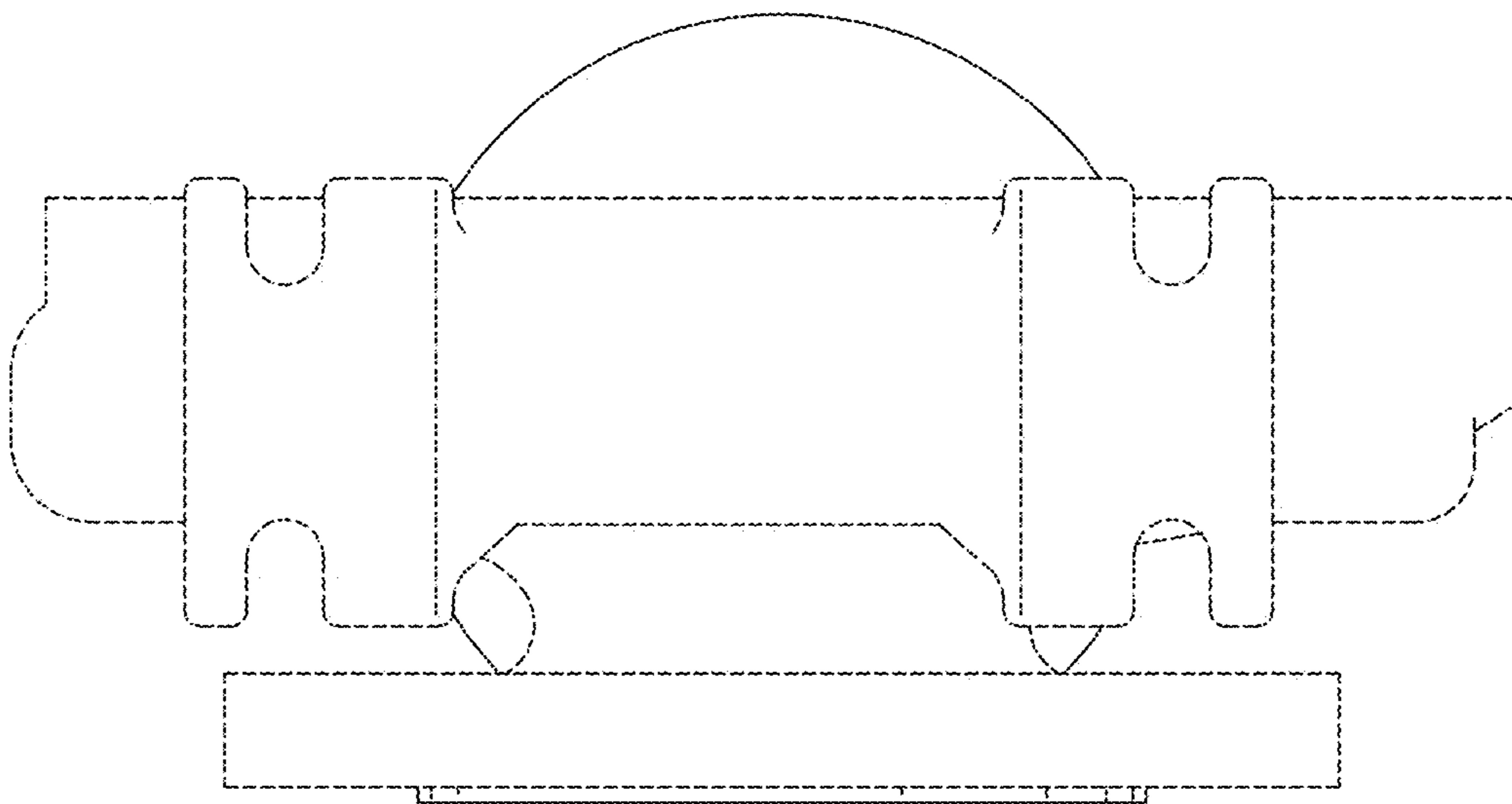


FIG. 55

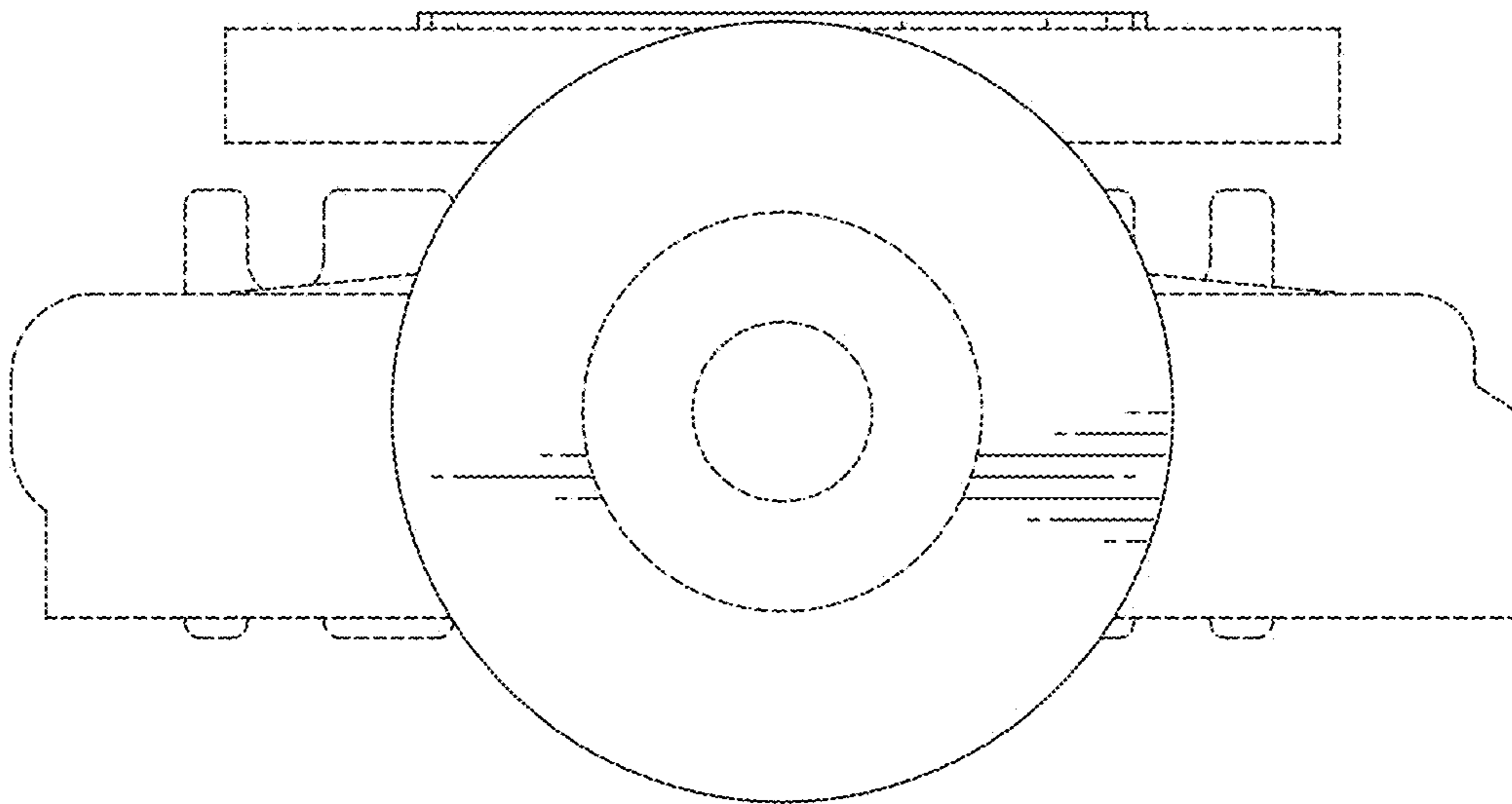


FIG. 56

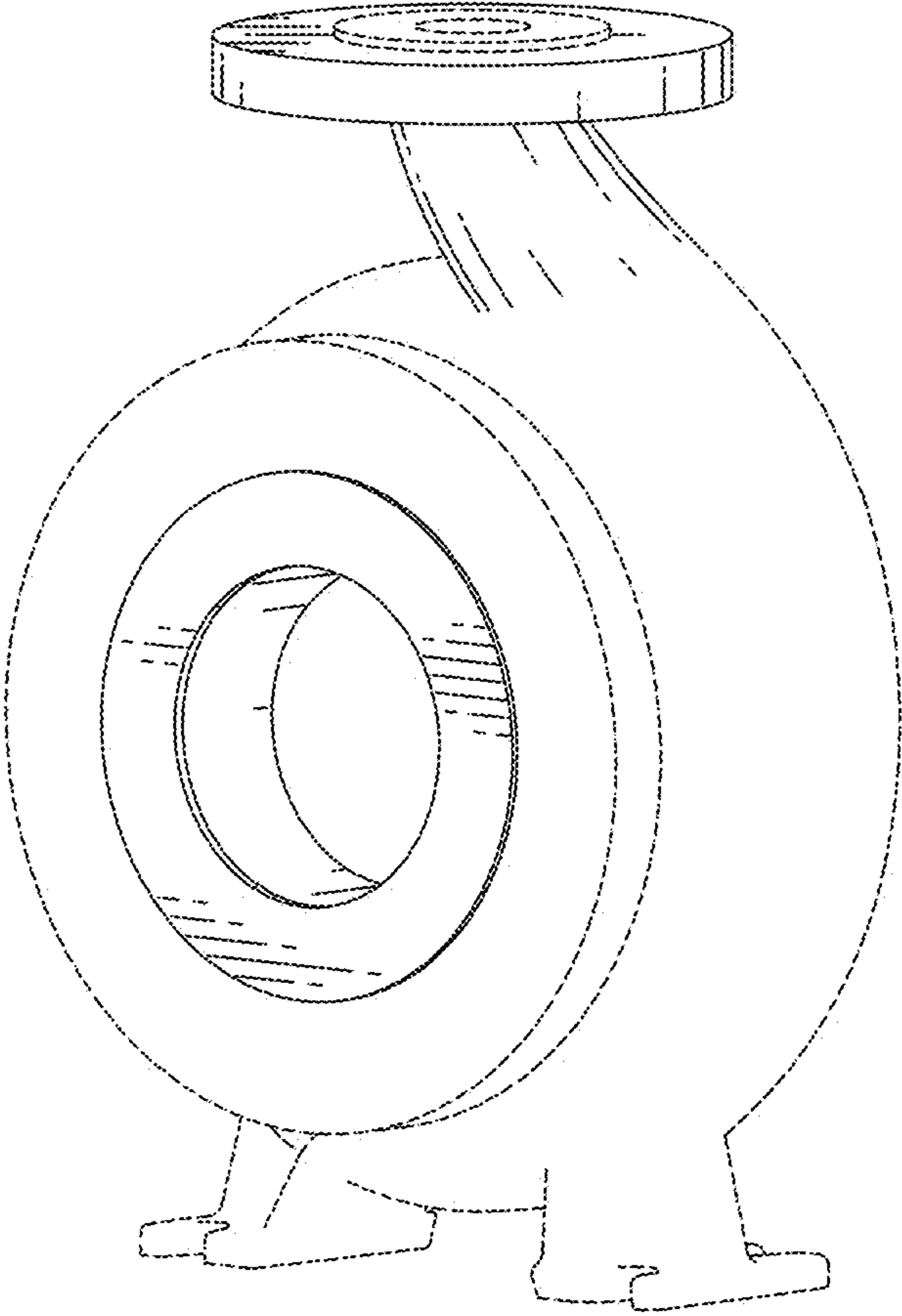


FIG. 57

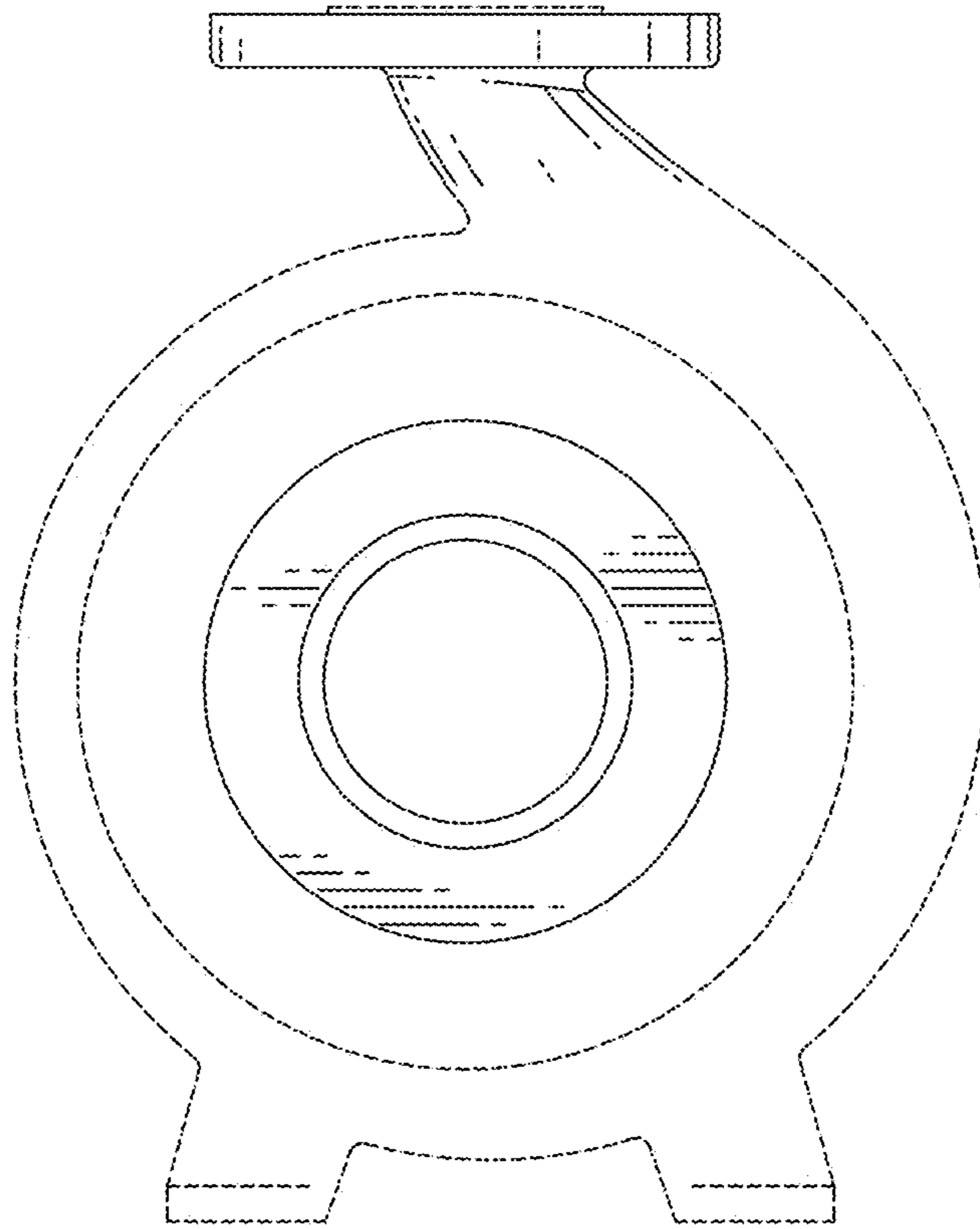


FIG. 58

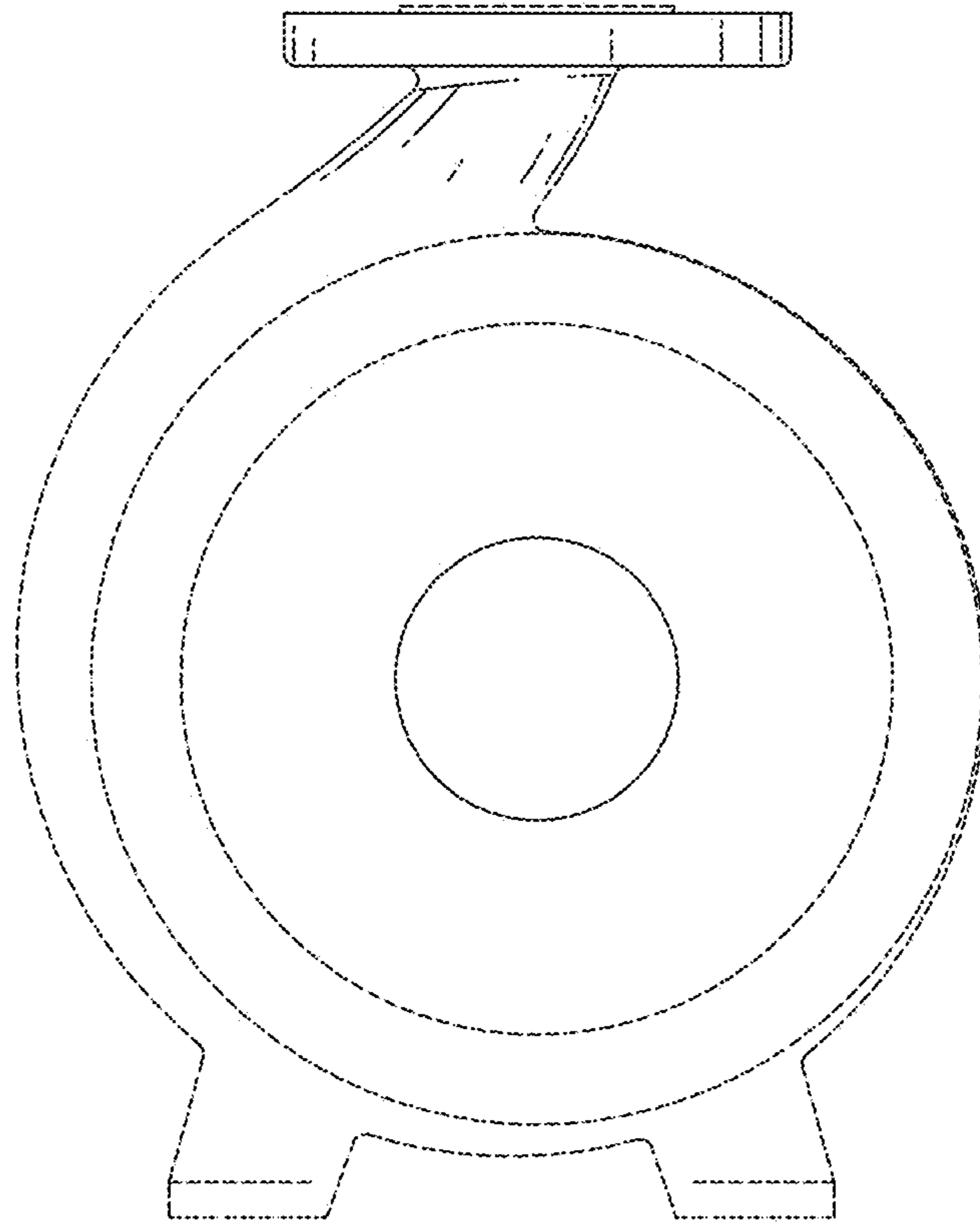


FIG. 59

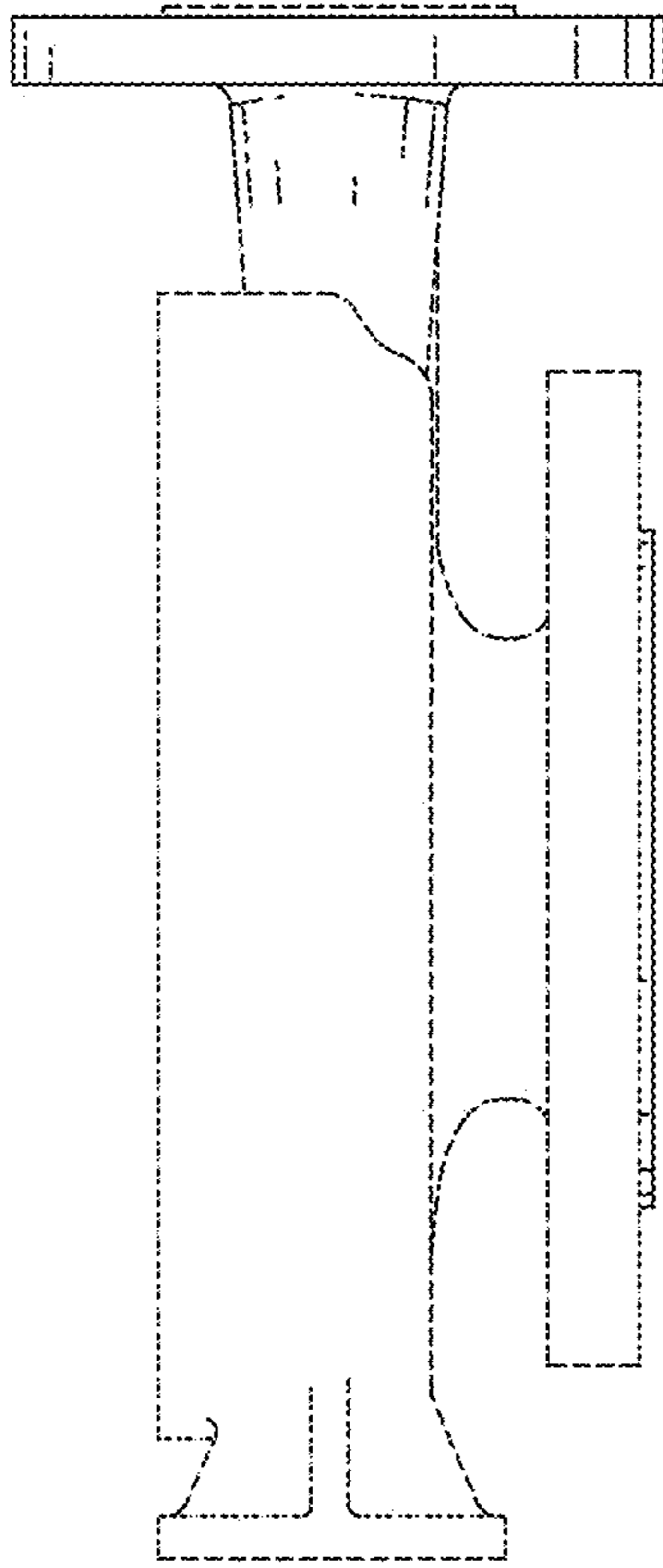


FIG. 60

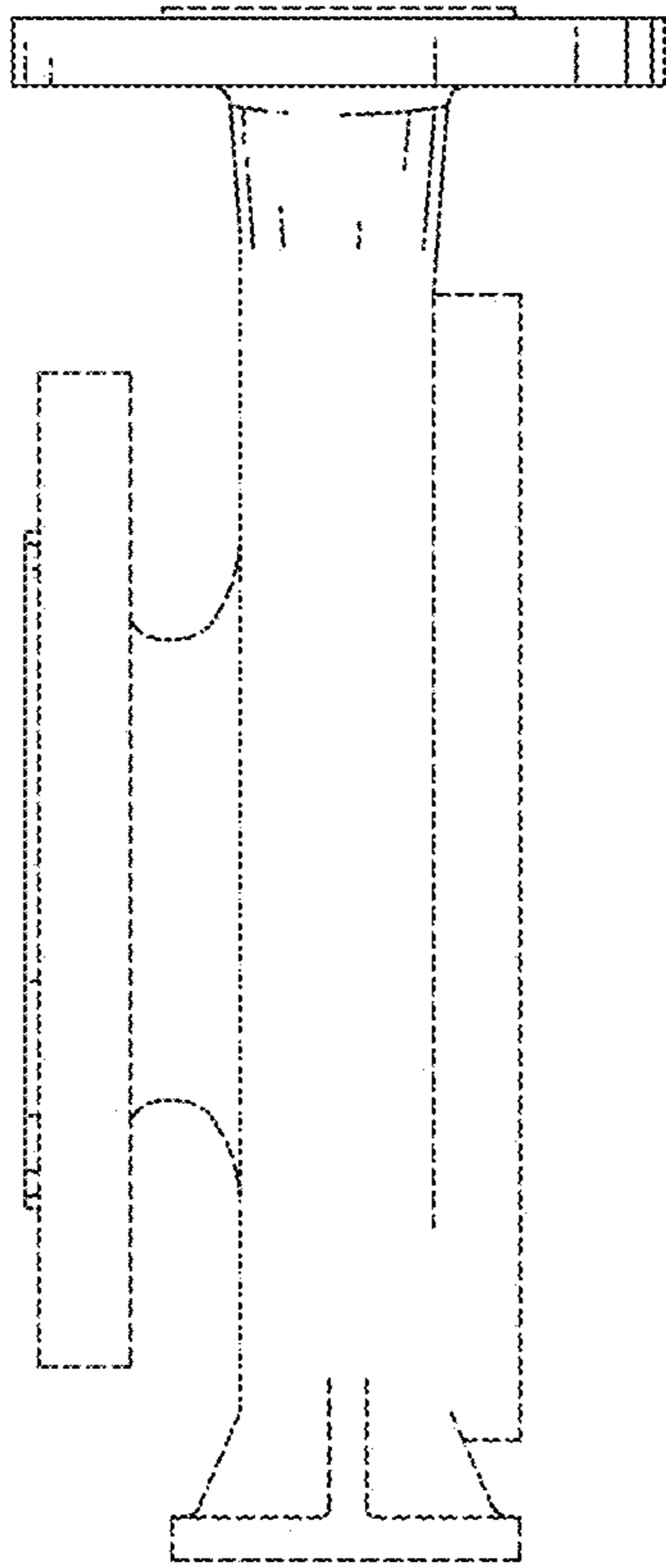


FIG. 61

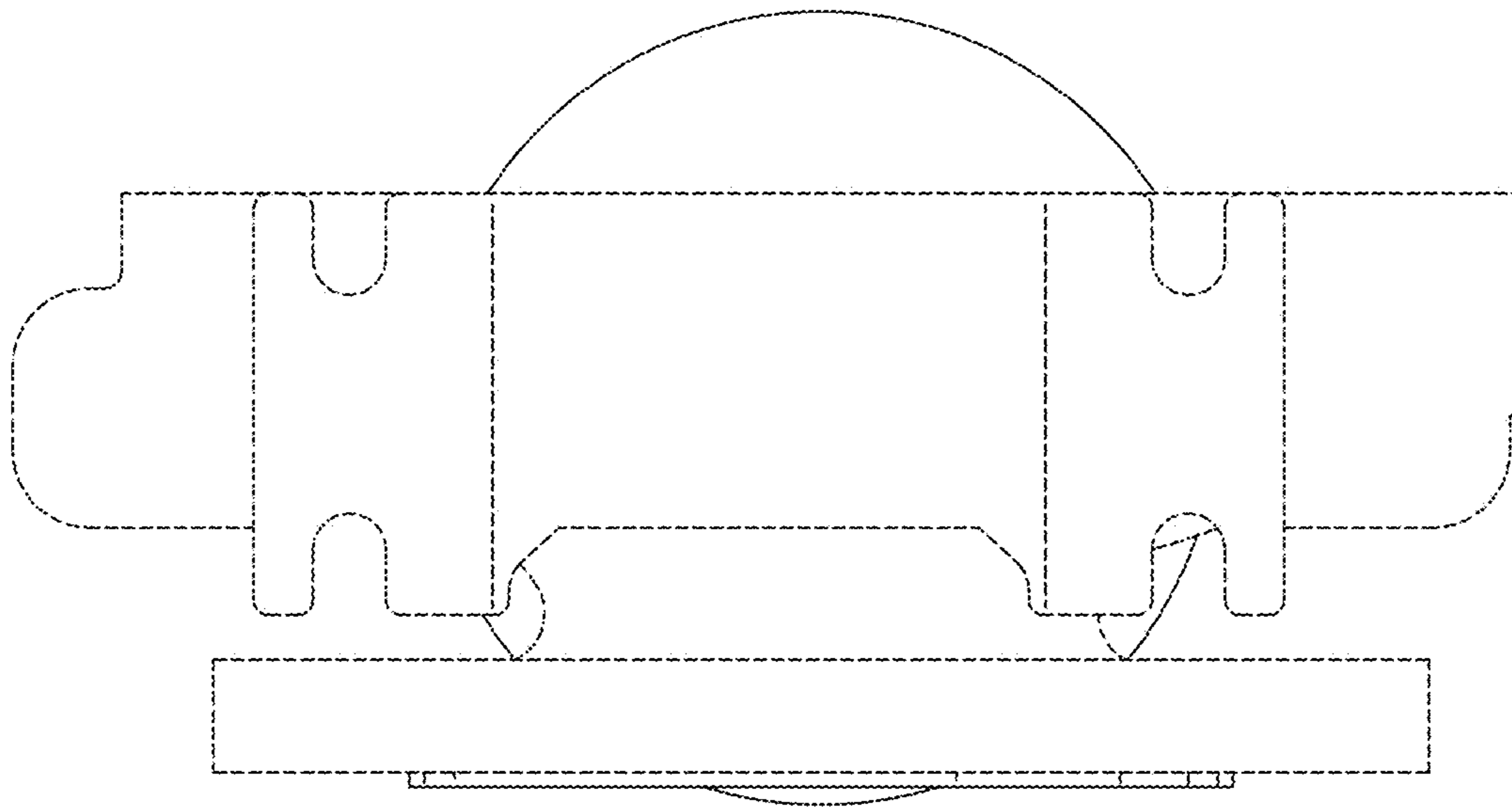


FIG. 62

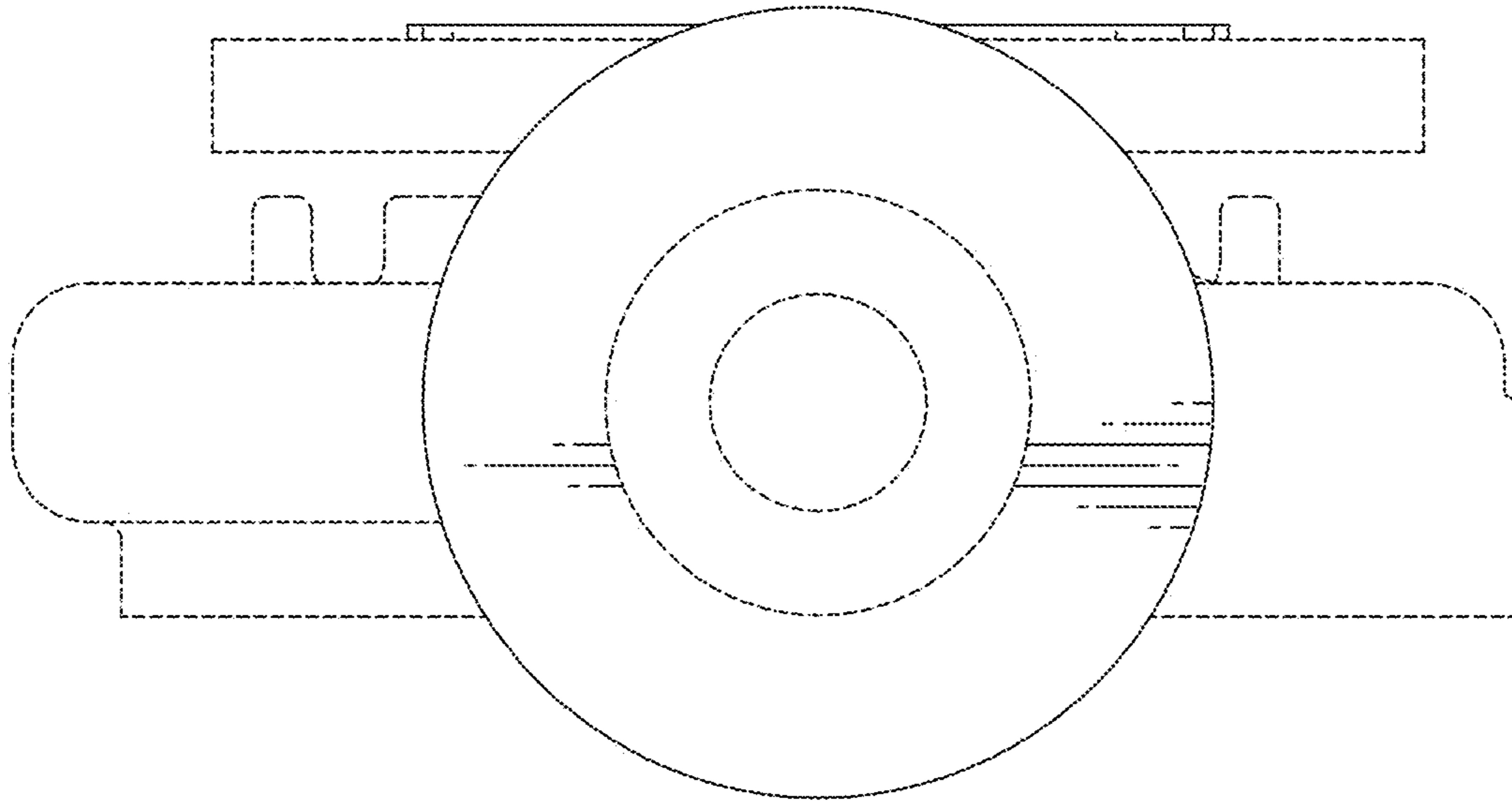


FIG. 63

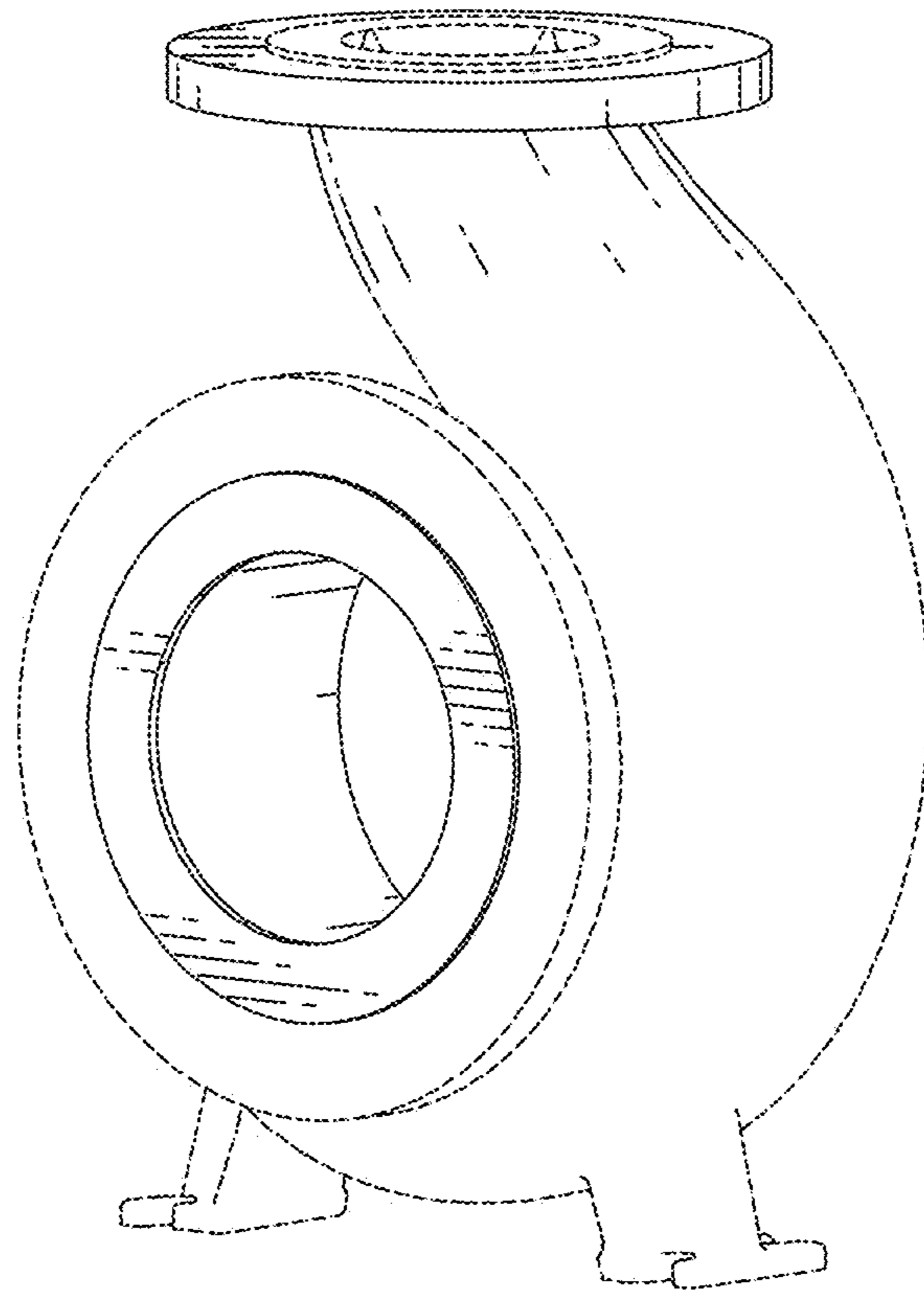


FIG. 64

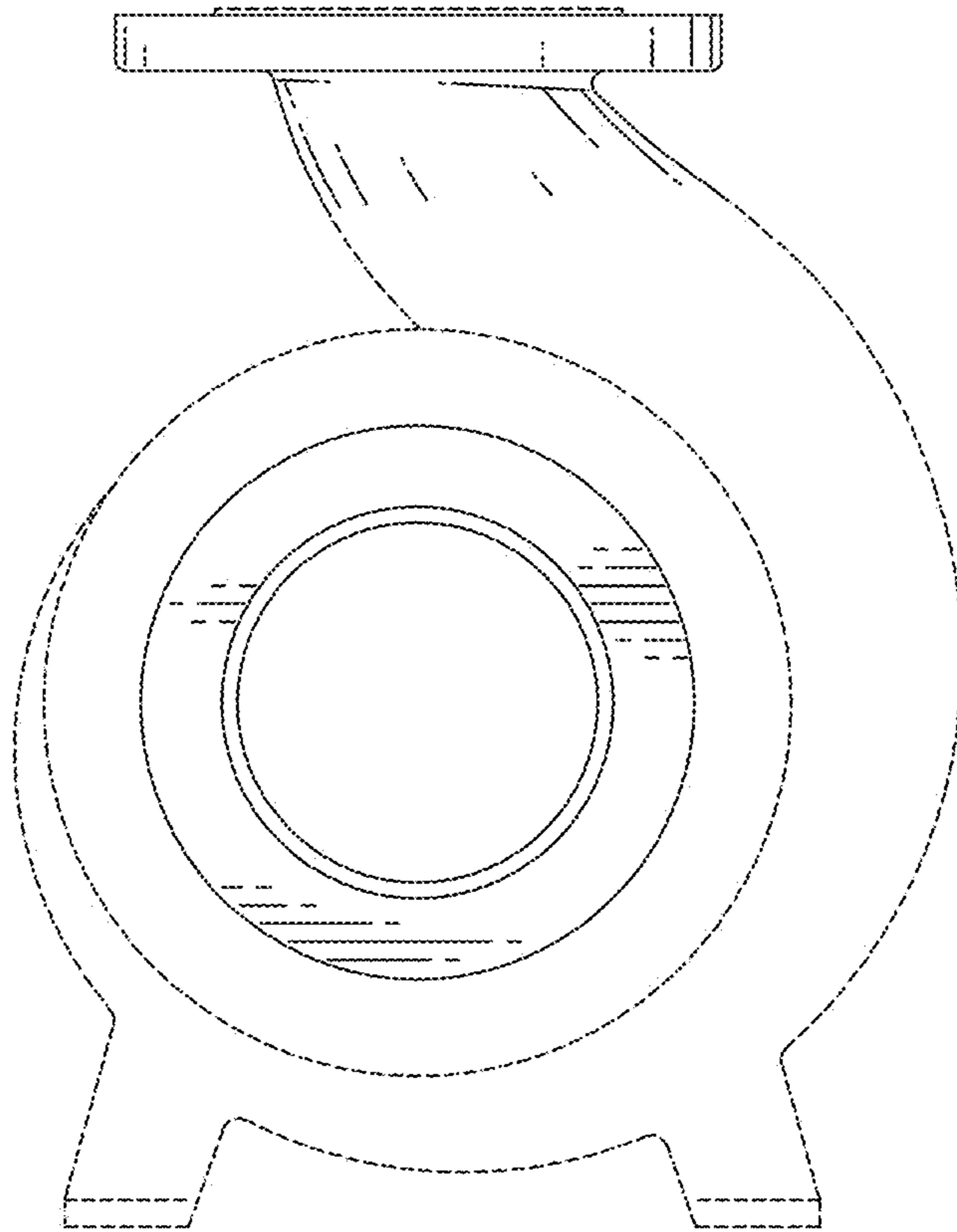


FIG. 65

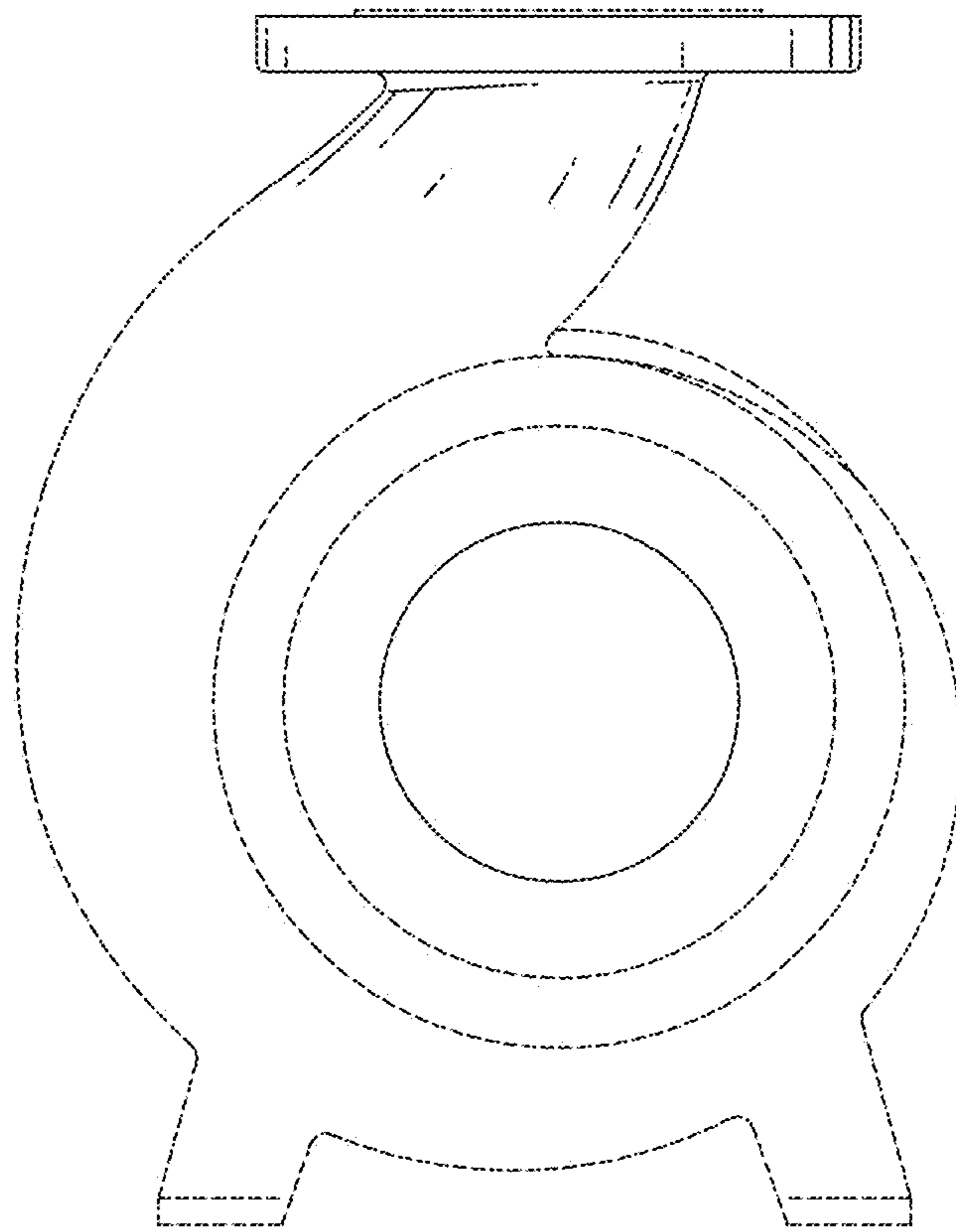


FIG. 66

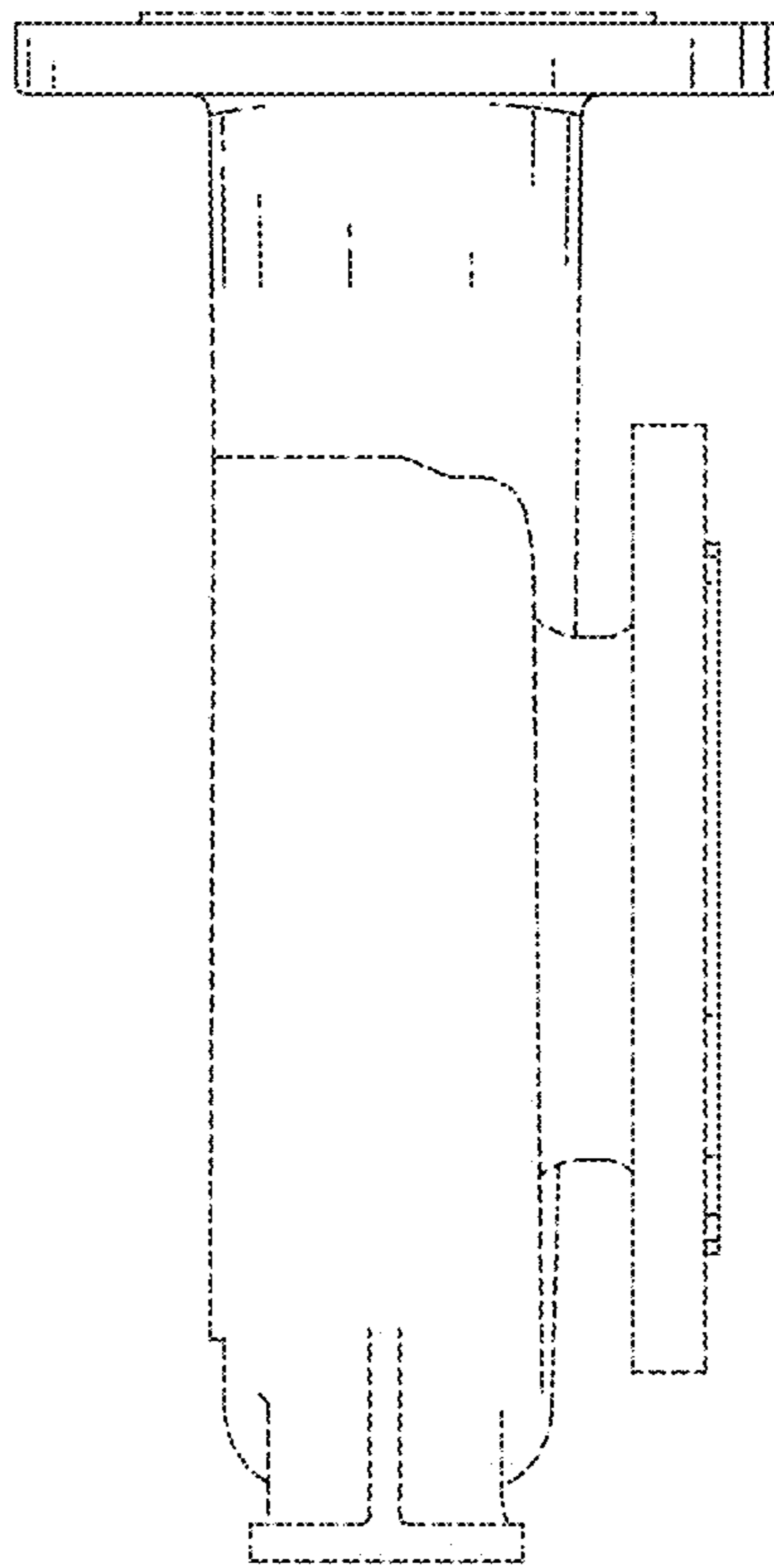


FIG. 67

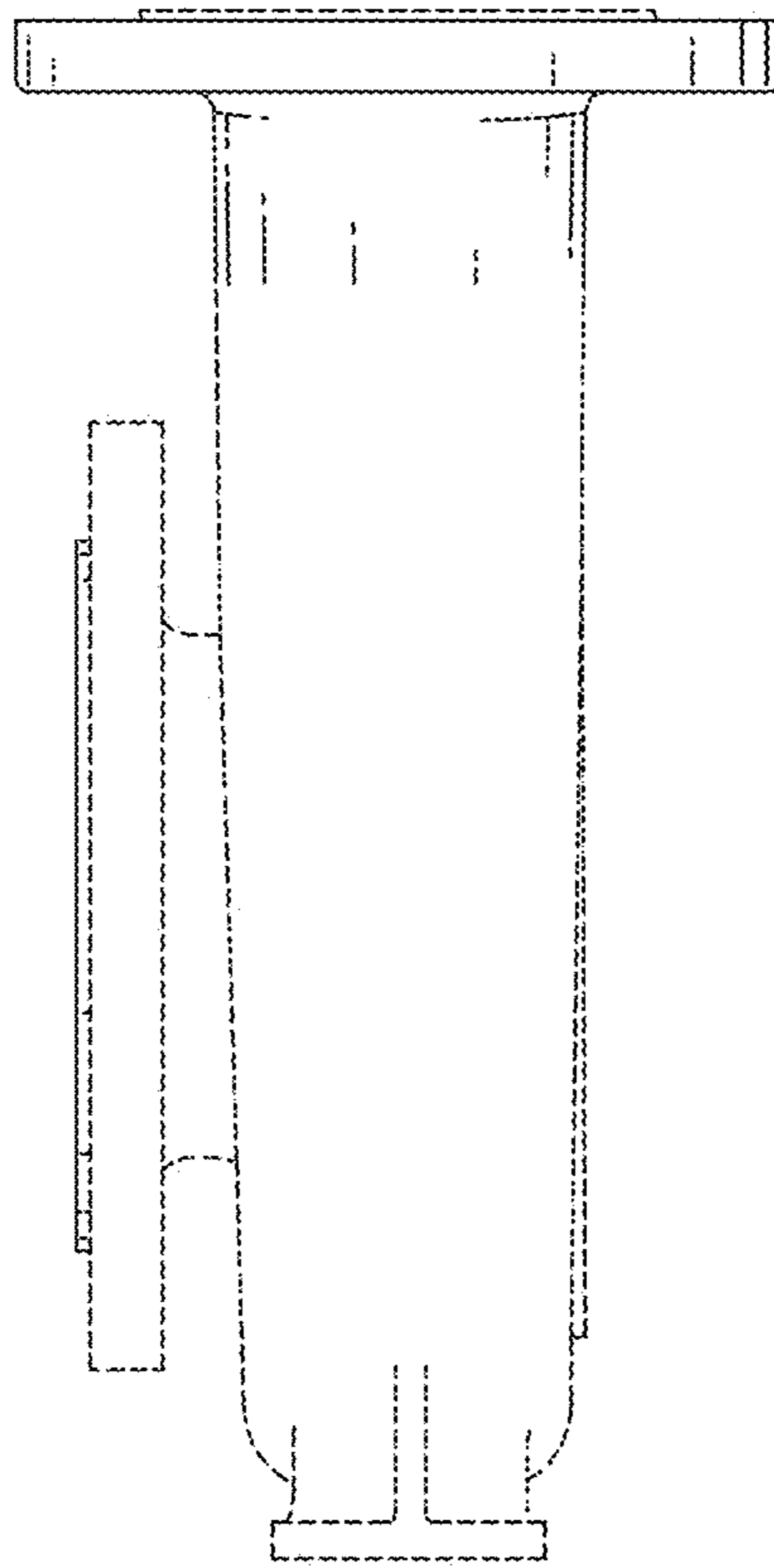


FIG. 68

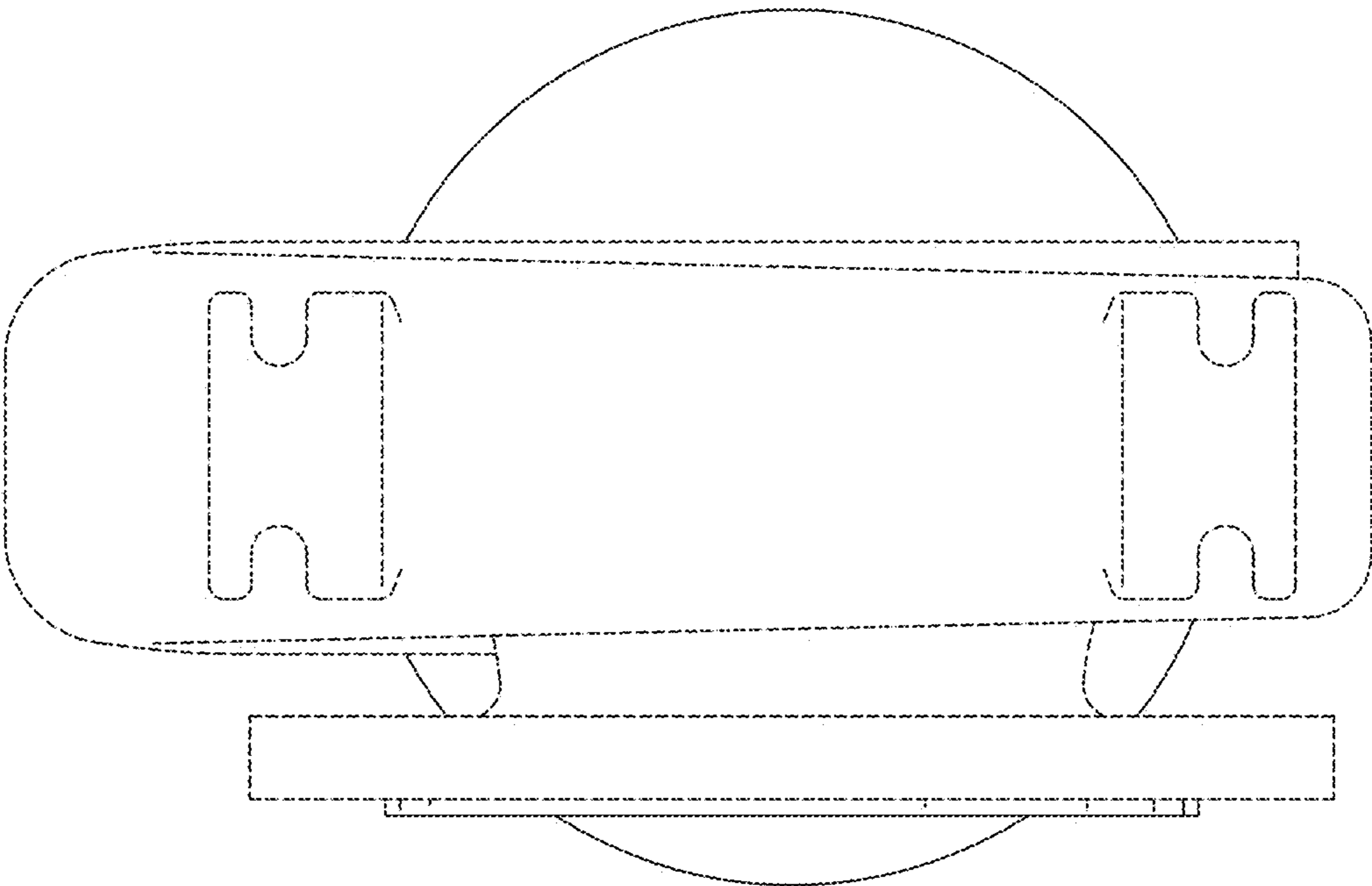


FIG. 69

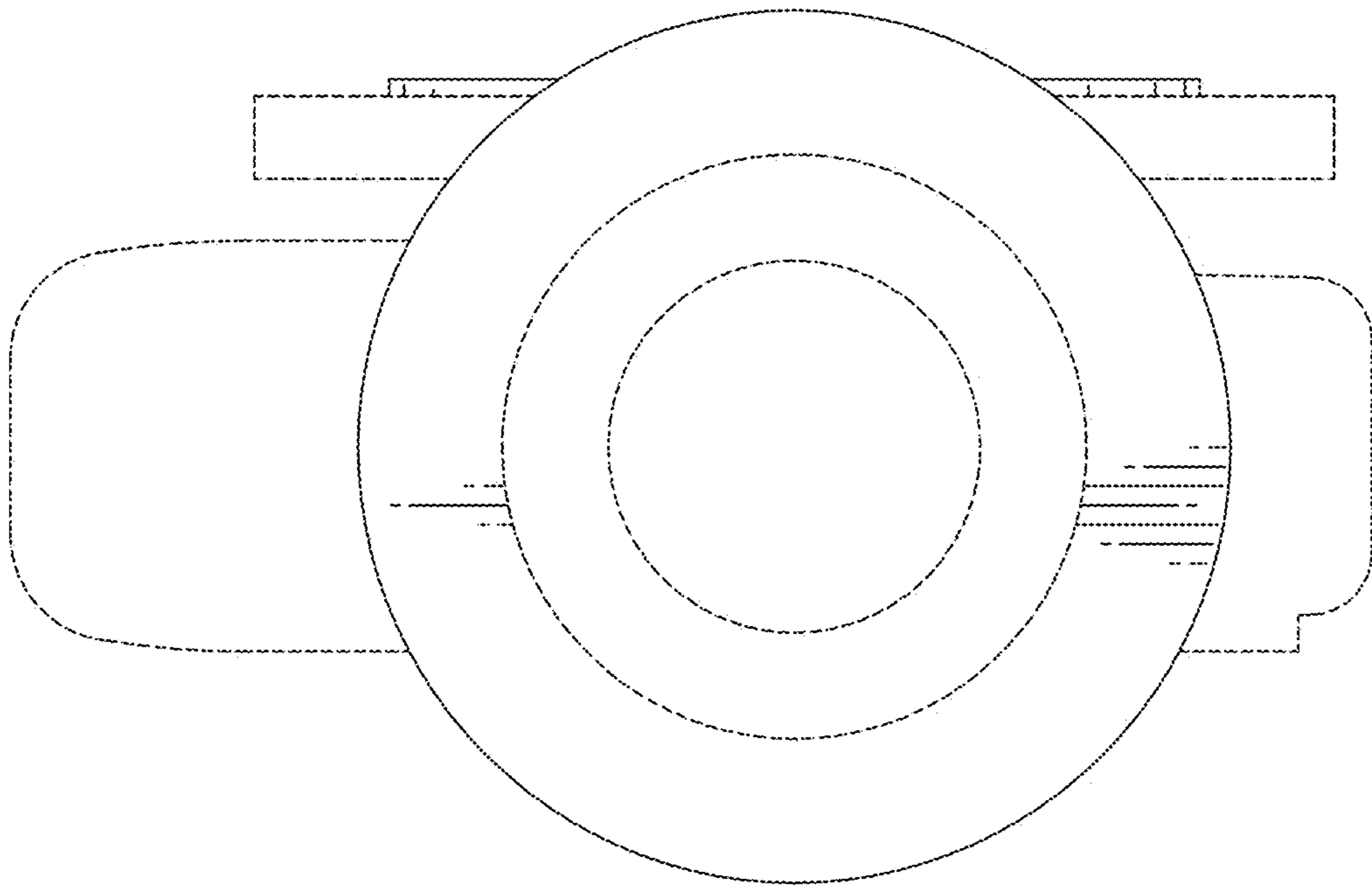


FIG. 70

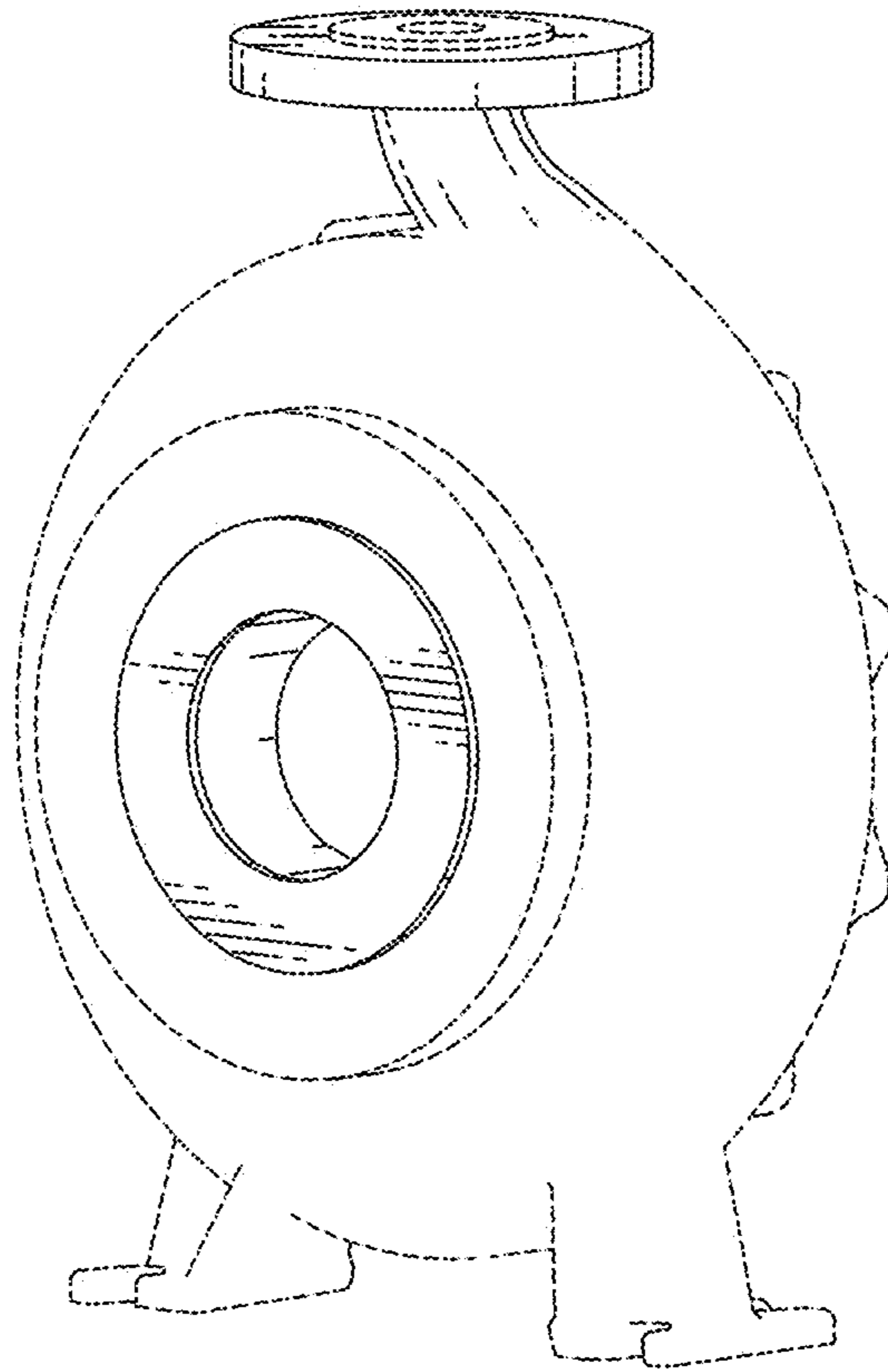


FIG. 71

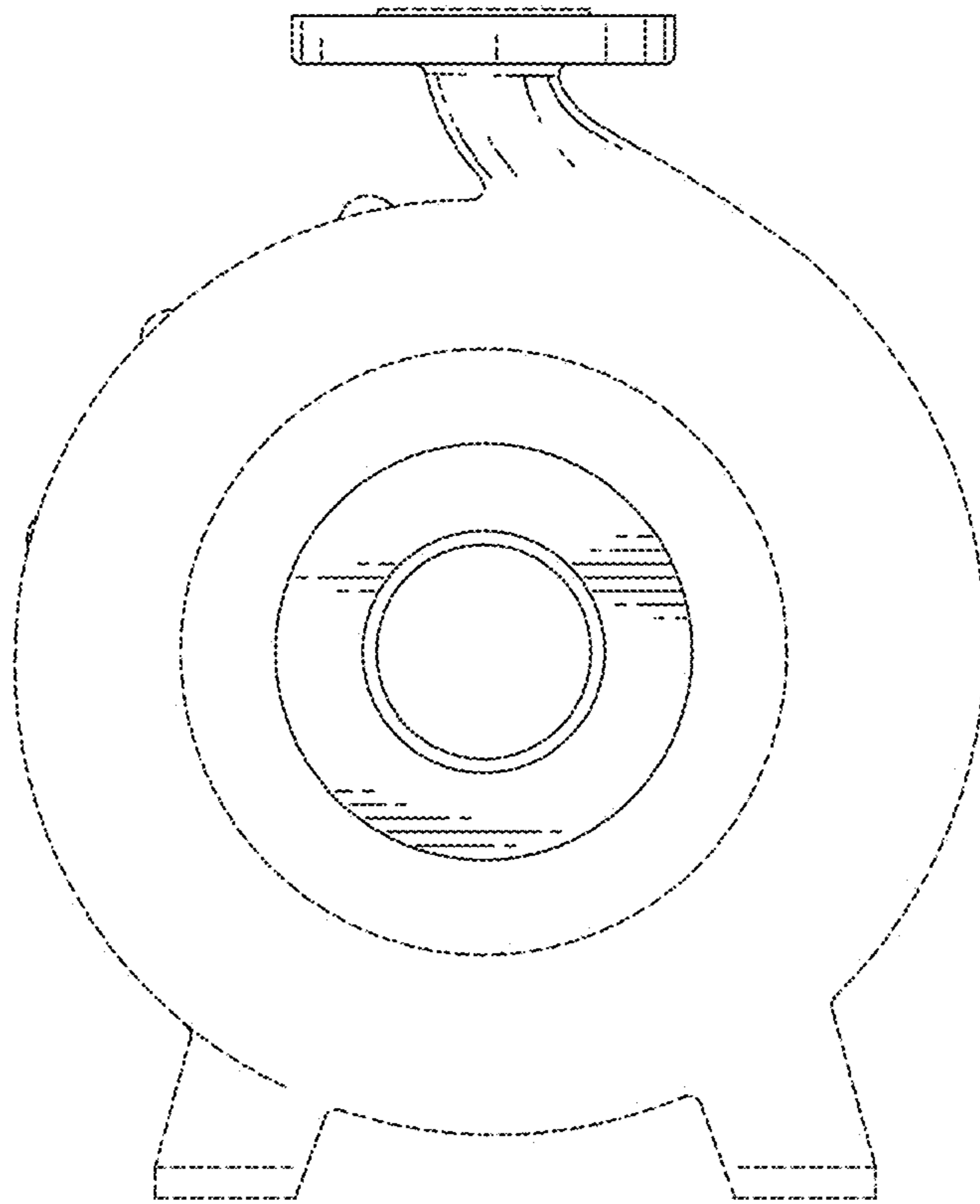


FIG. 72

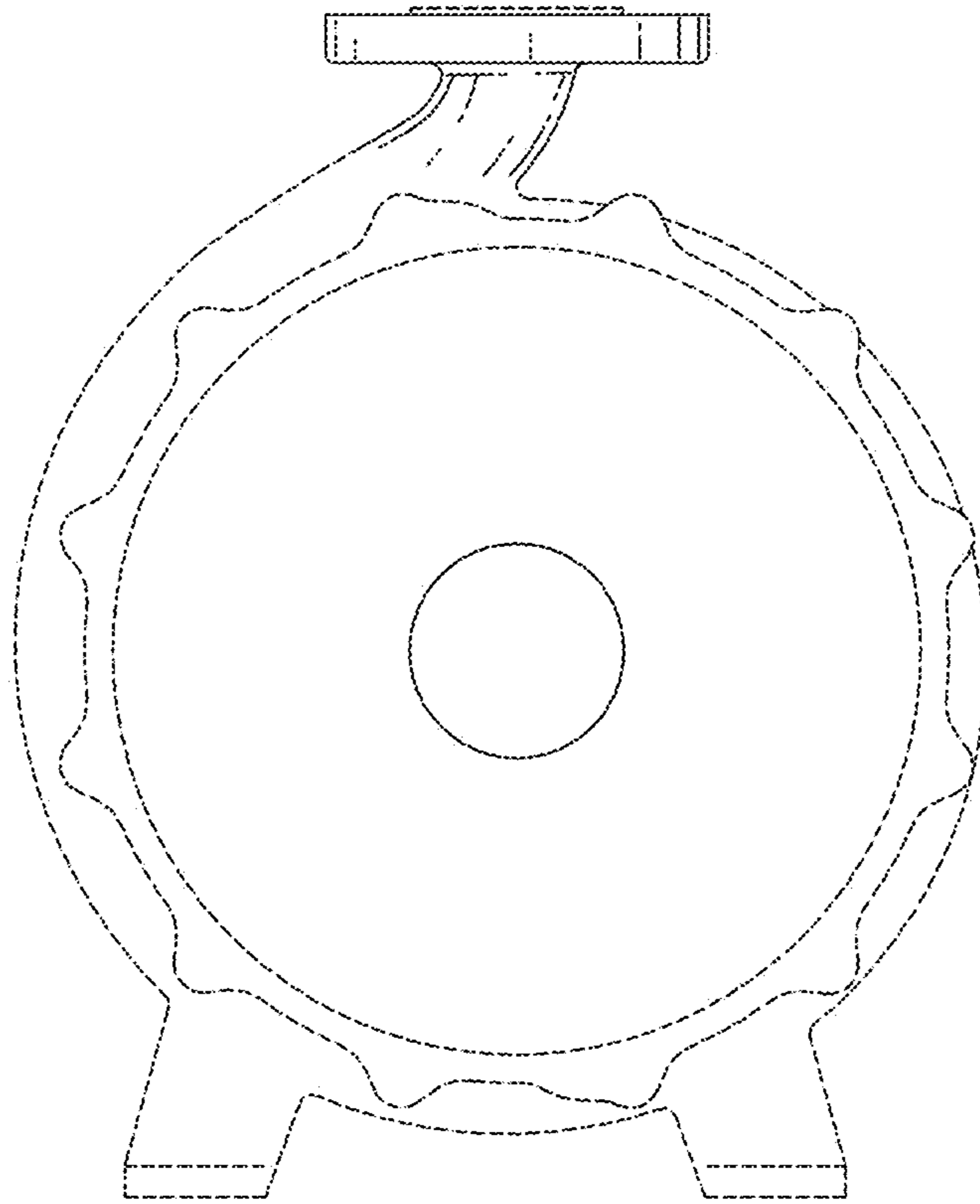


FIG. 73

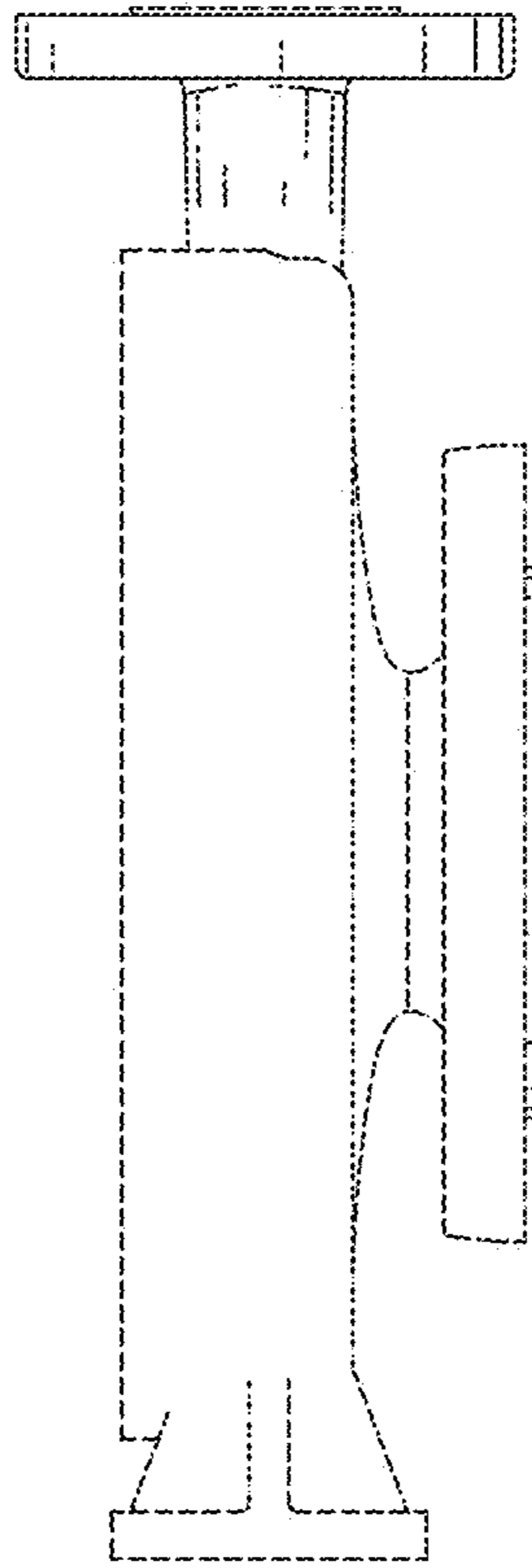


FIG. 74

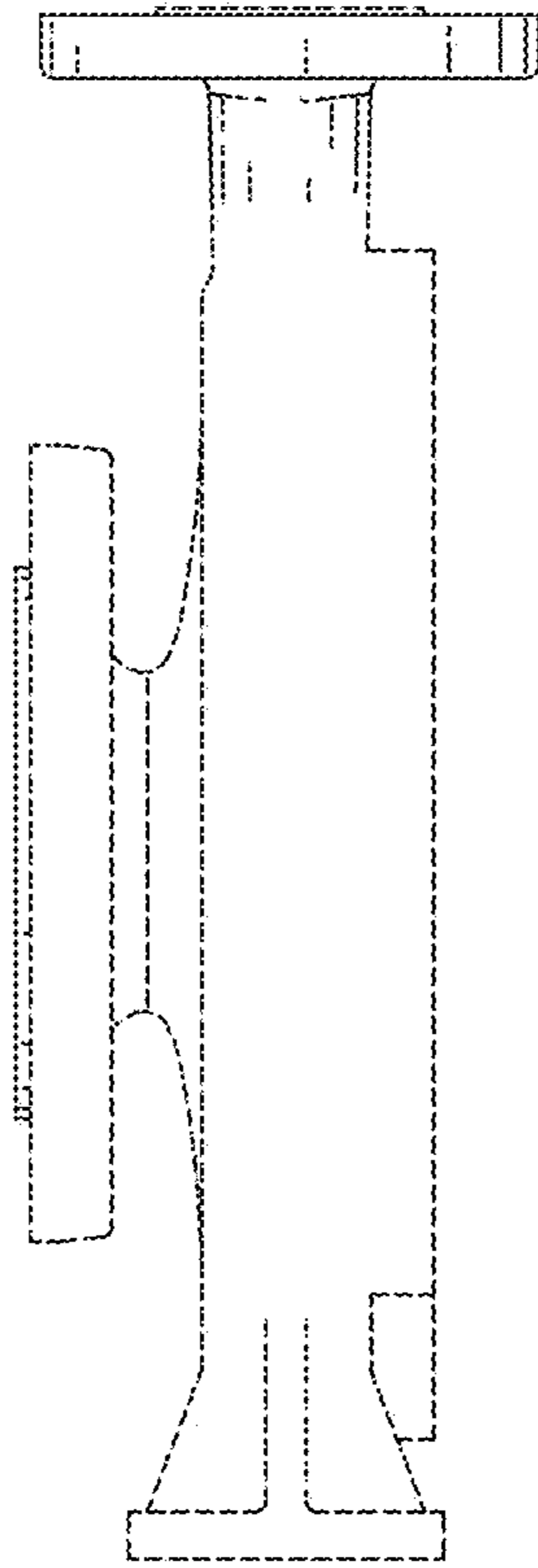


FIG. 75

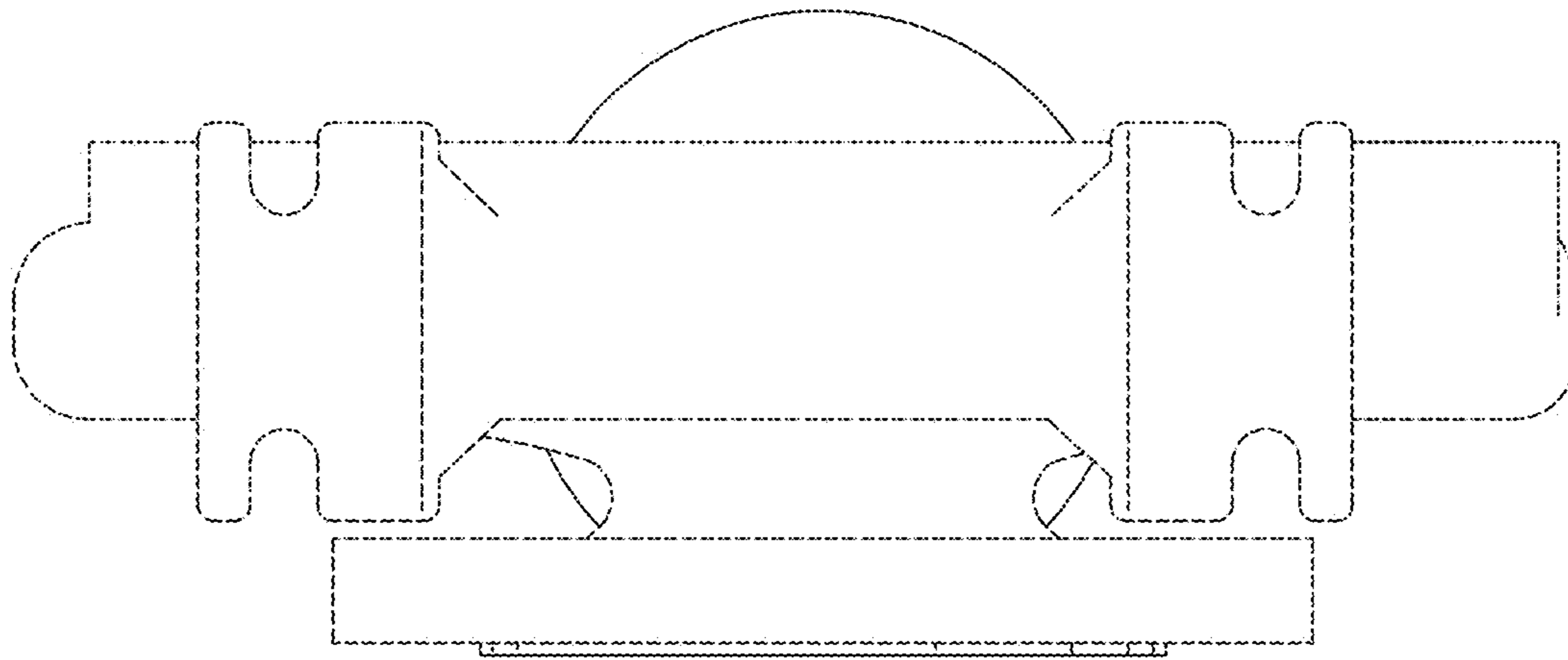


FIG. 76

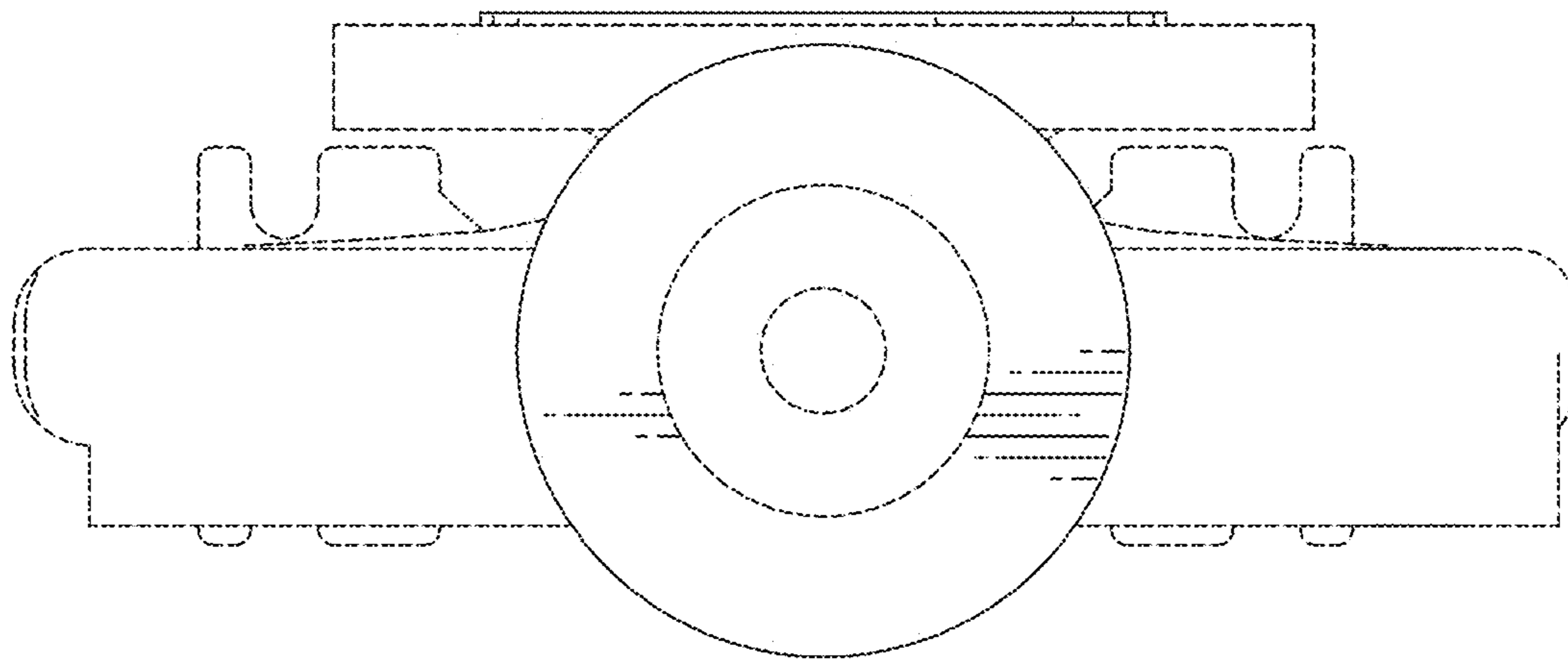


FIG. 77

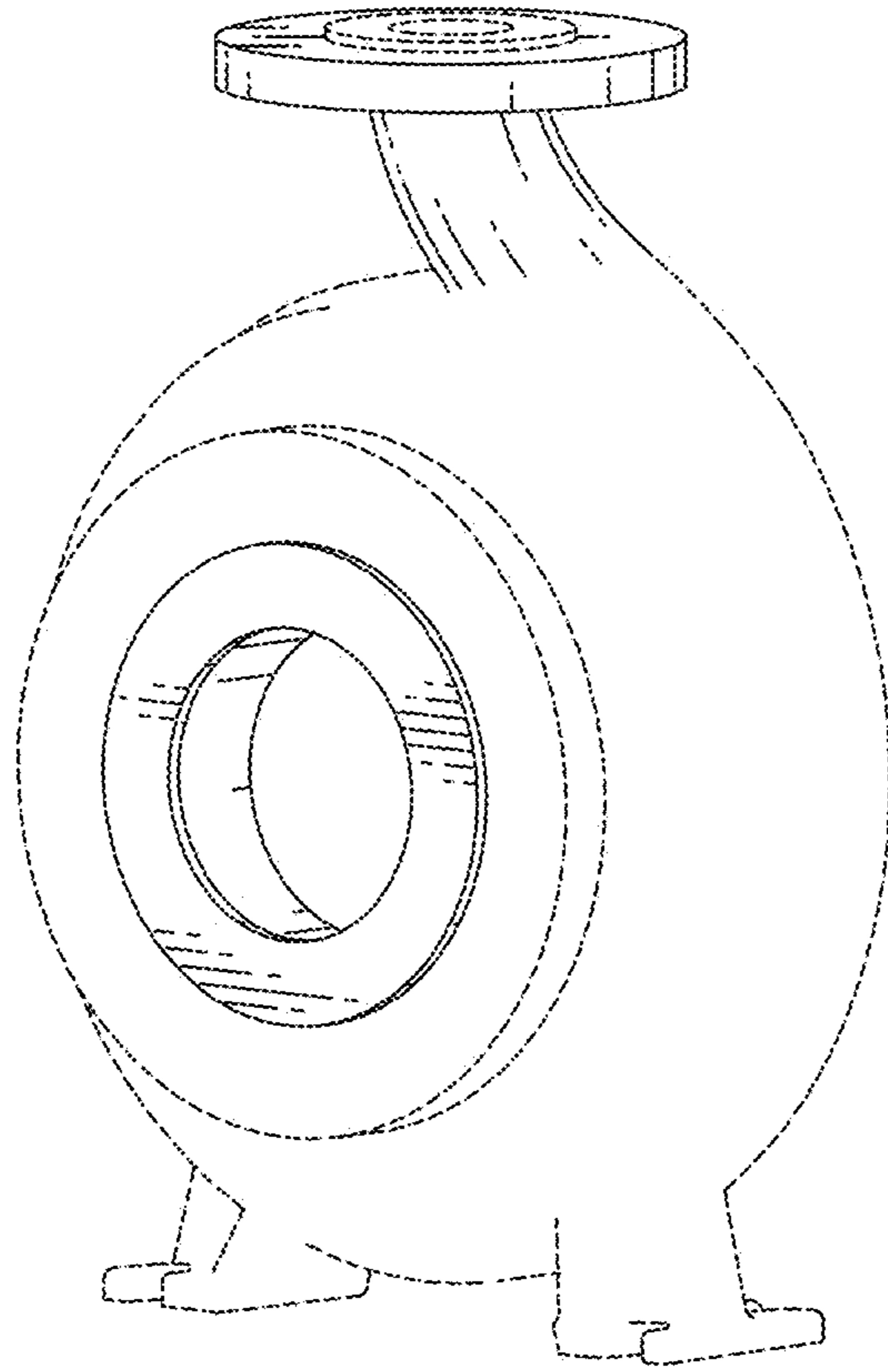


FIG. 78

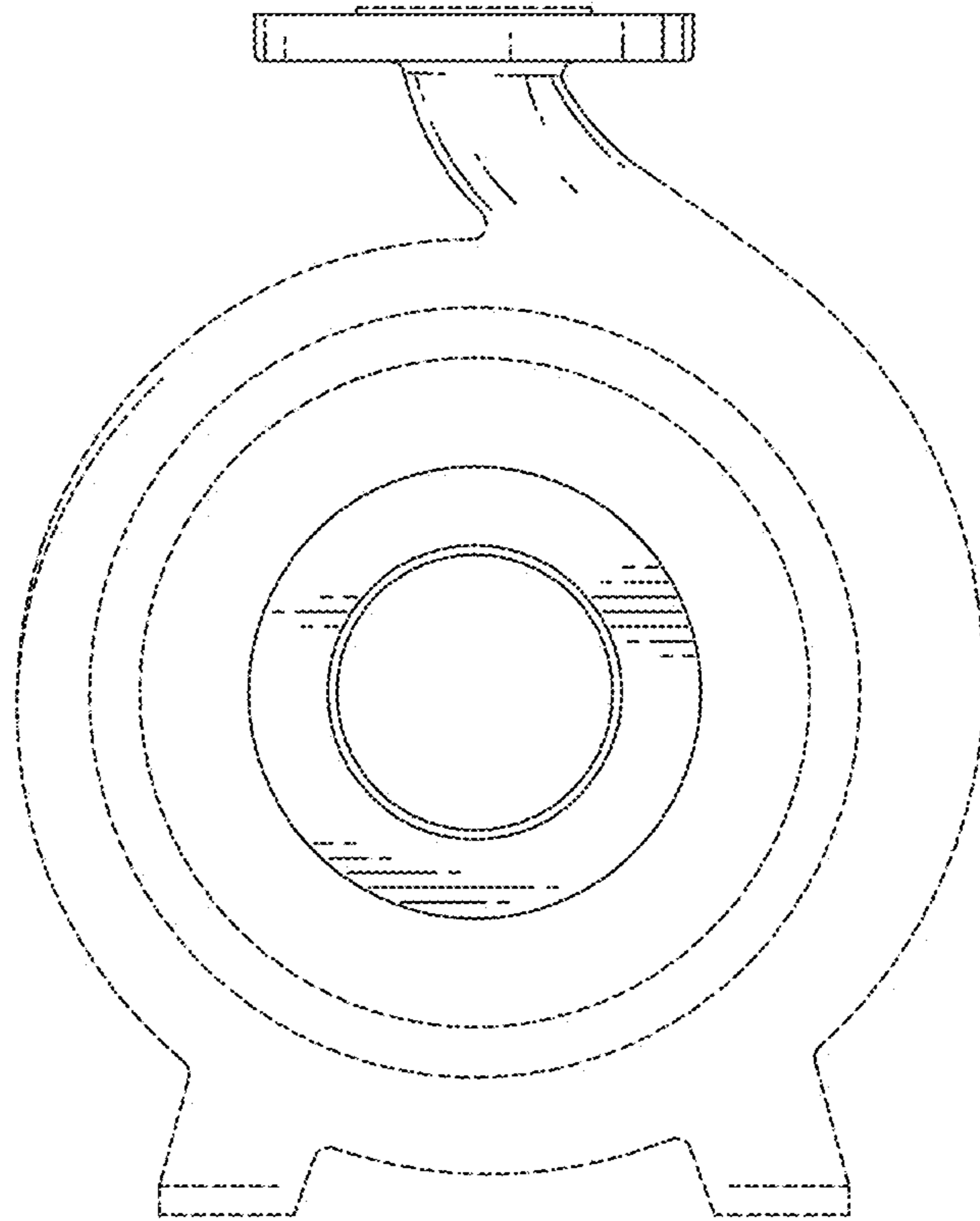


FIG. 79

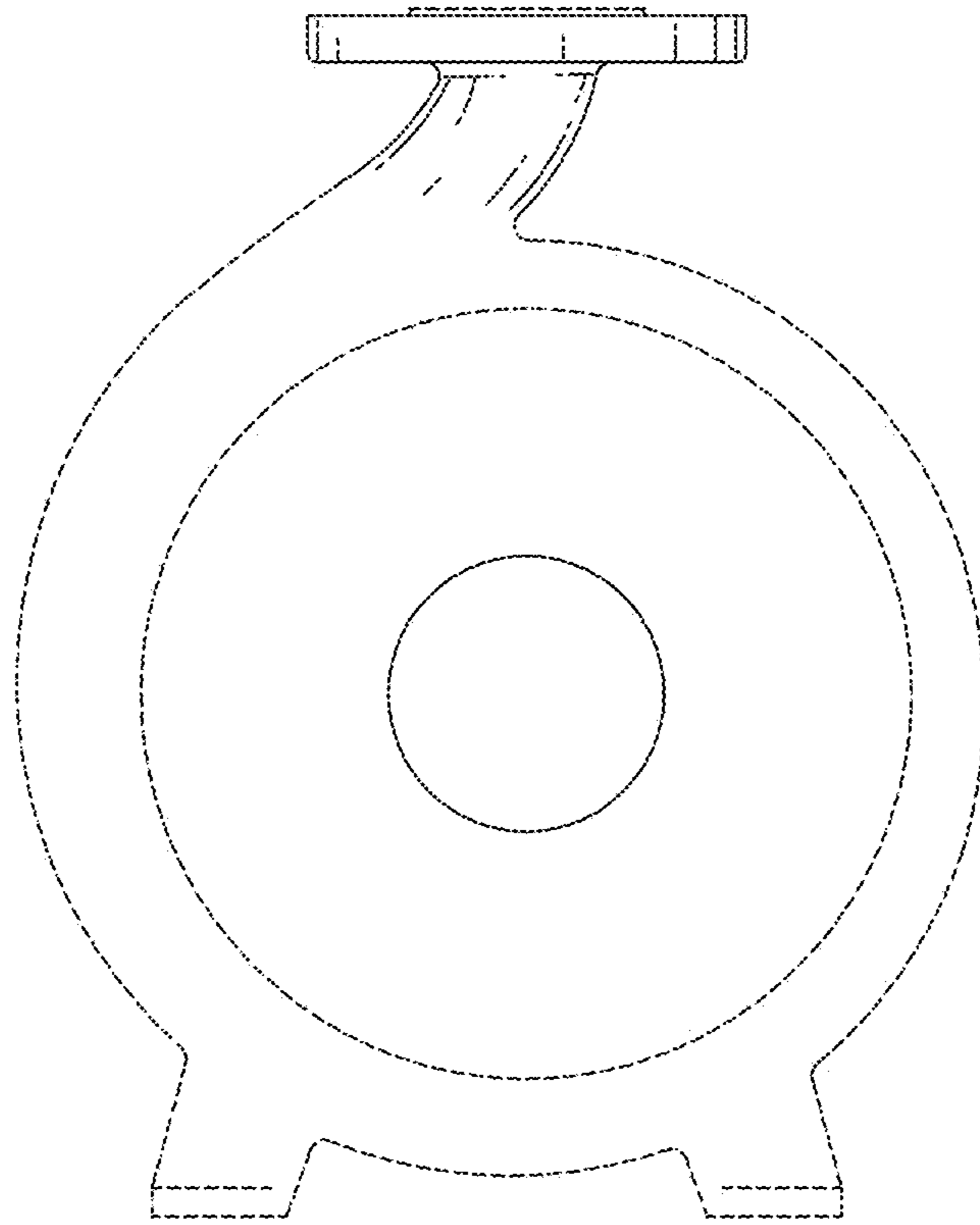


FIG. 80

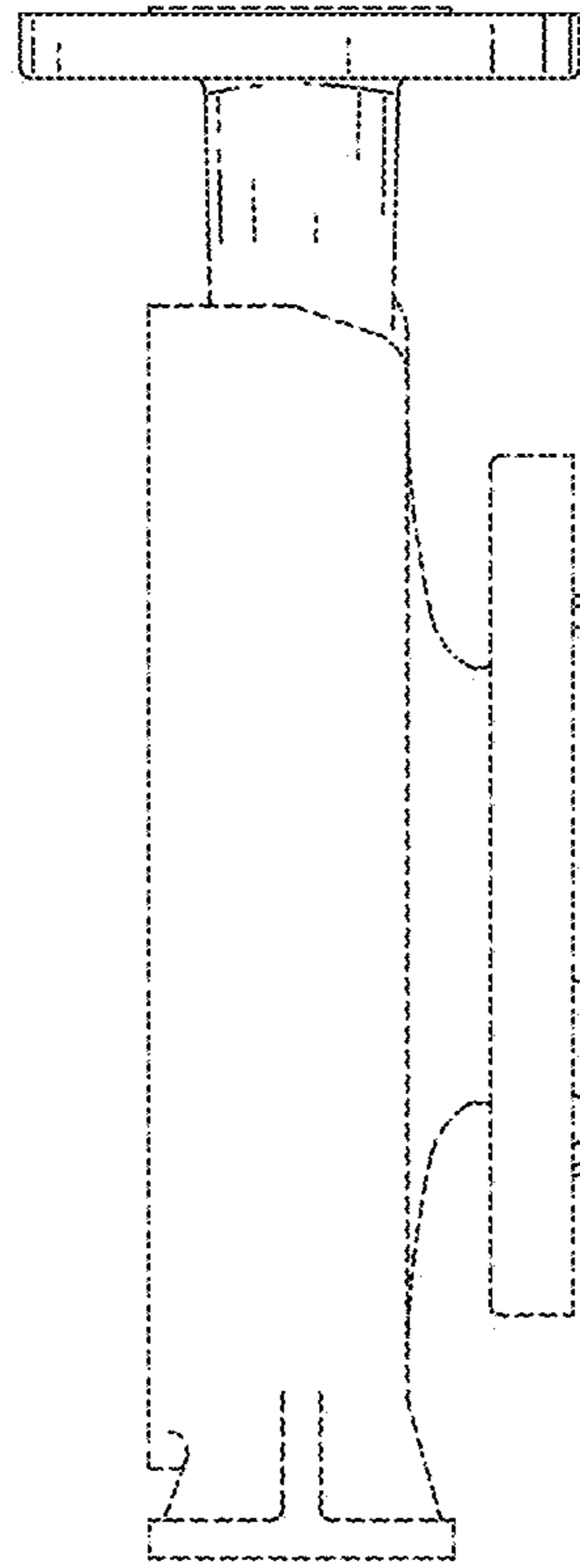


FIG. 81

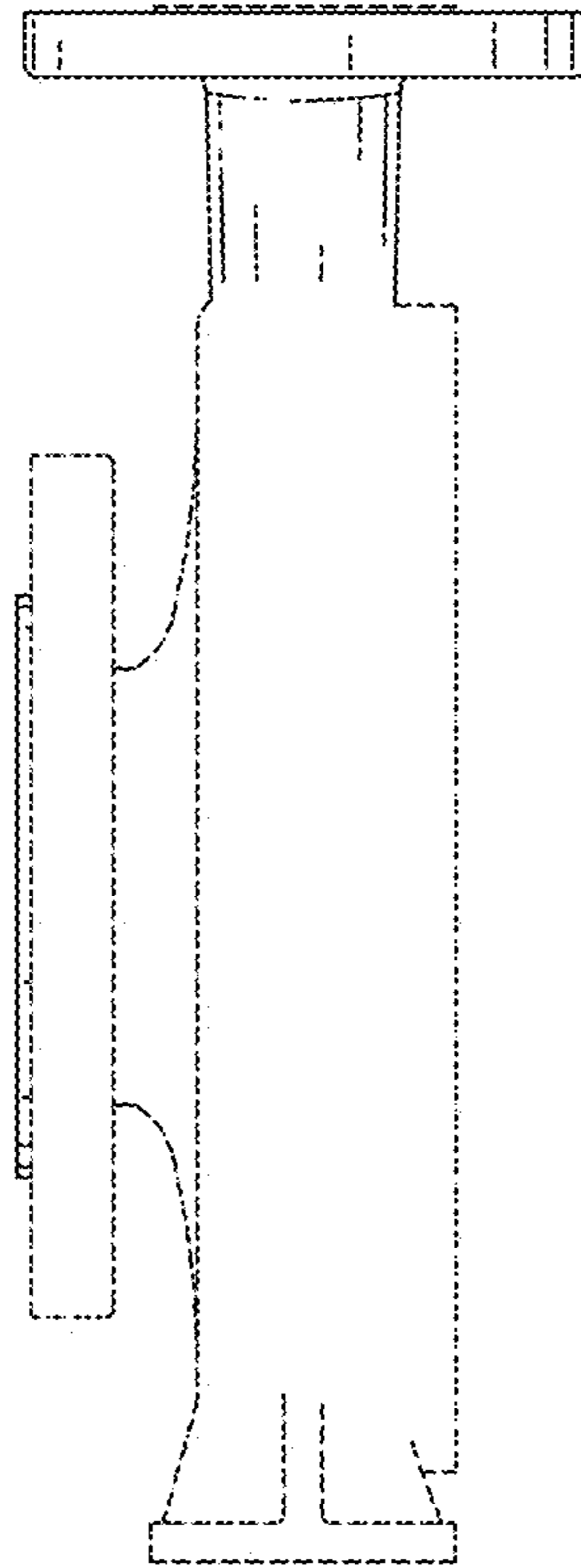


FIG. 82

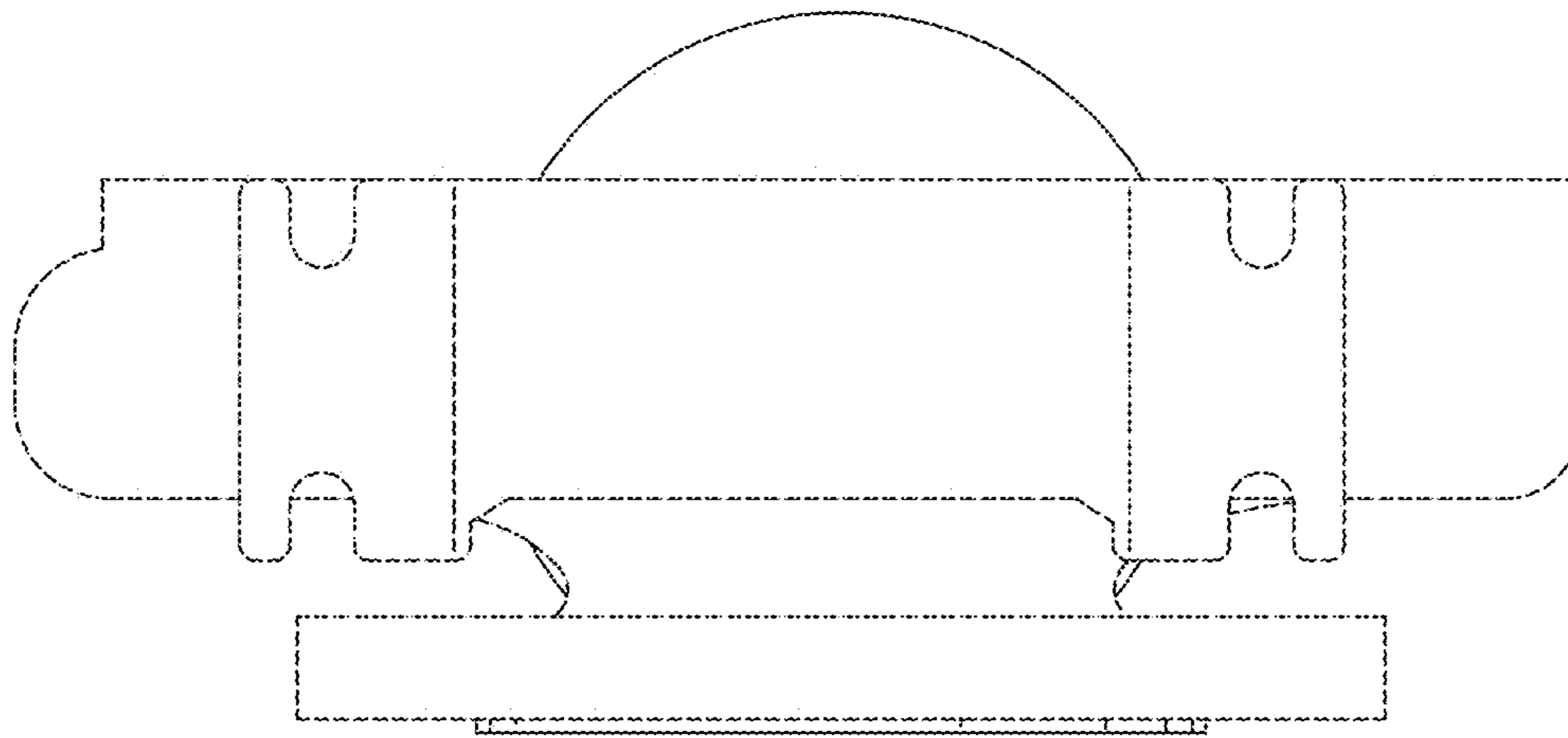


FIG. 83

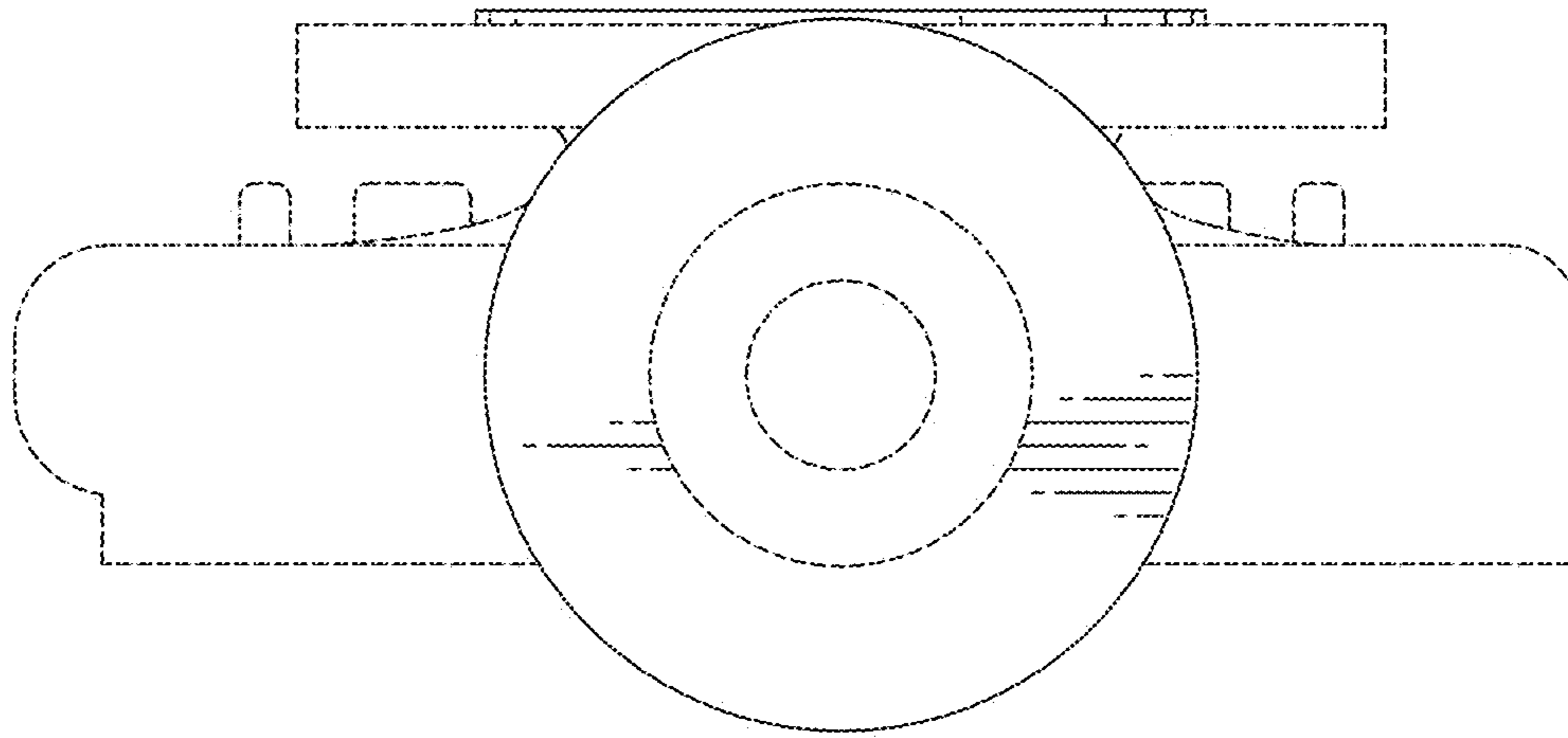


FIG. 84

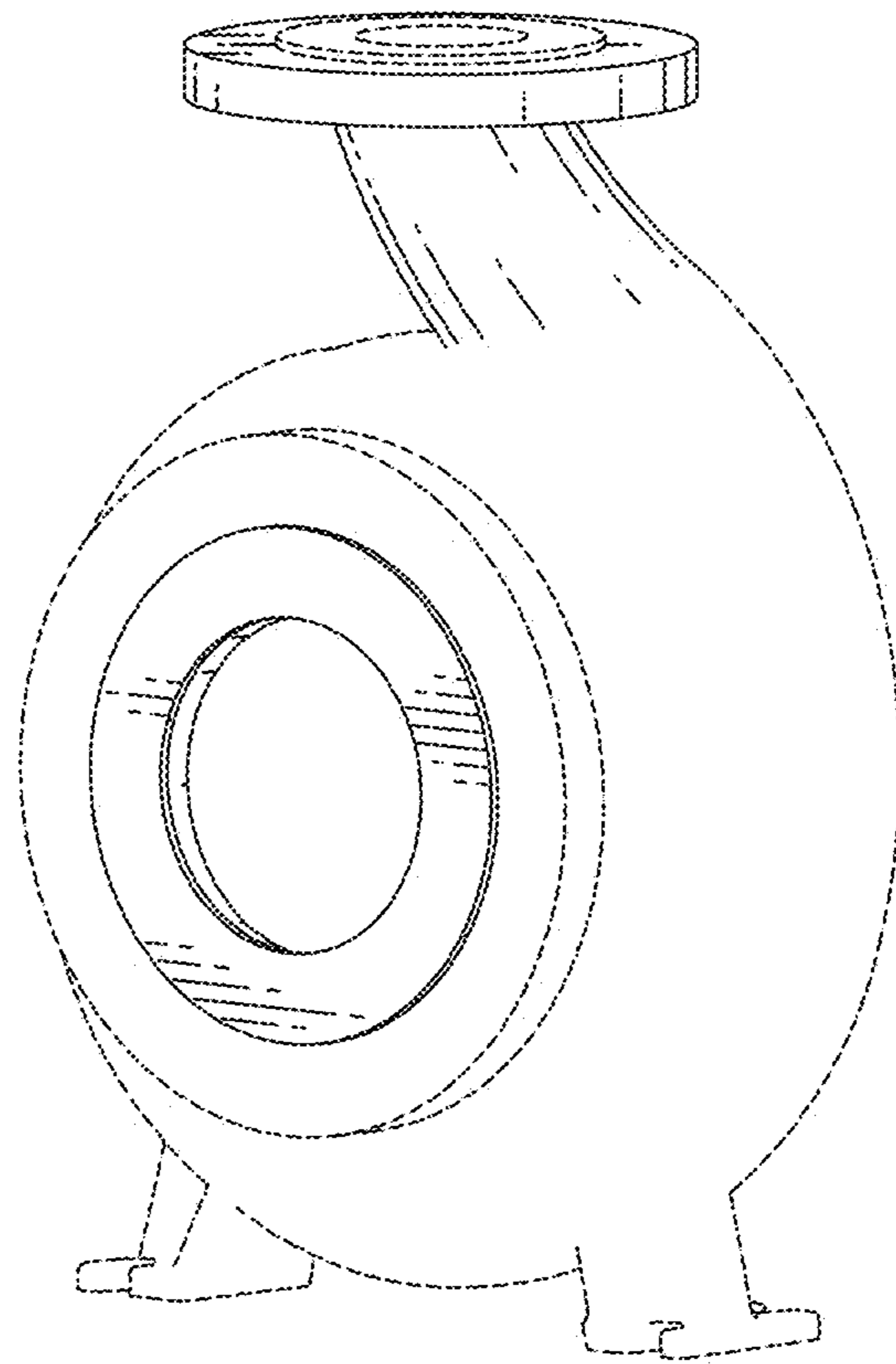


FIG. 85

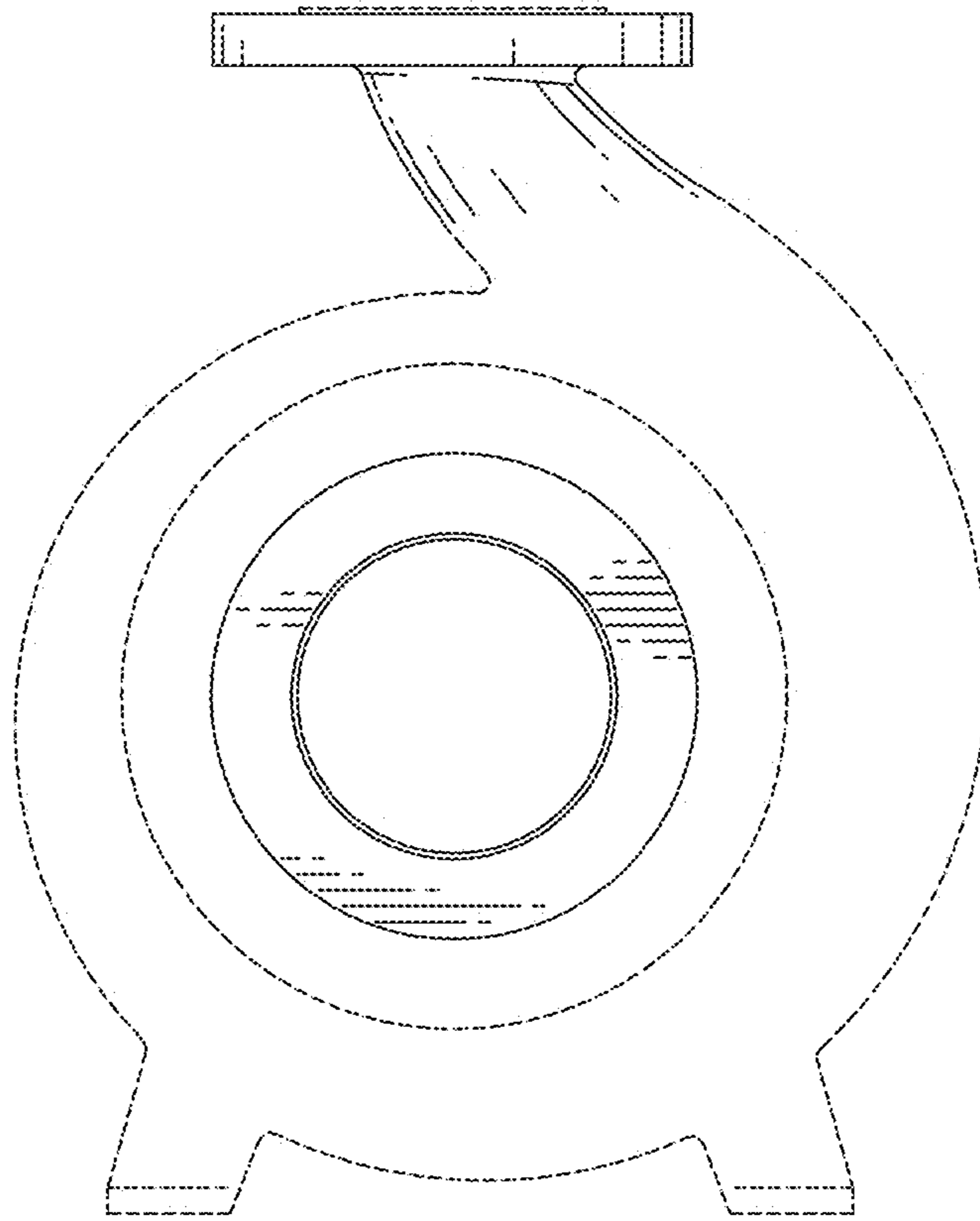


FIG. 86

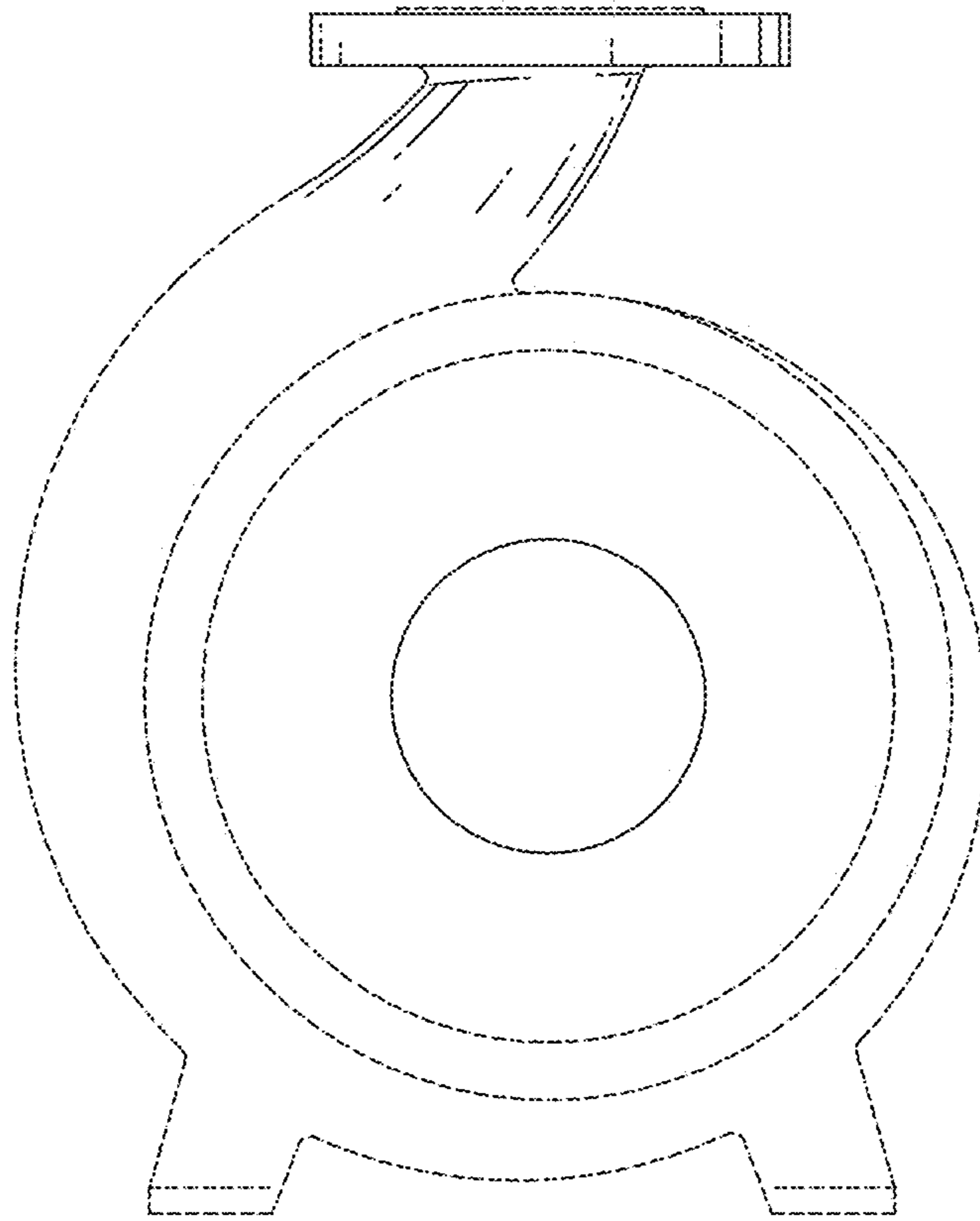


FIG. 87

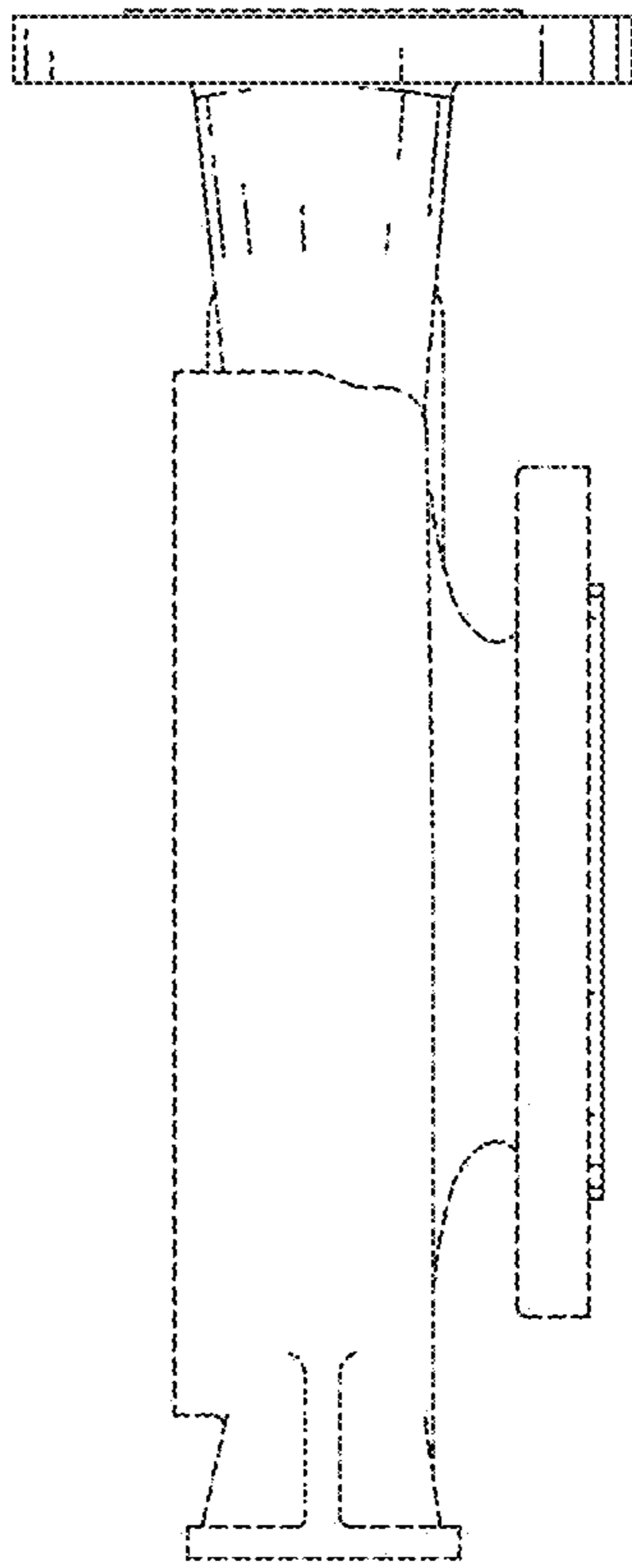


FIG. 88

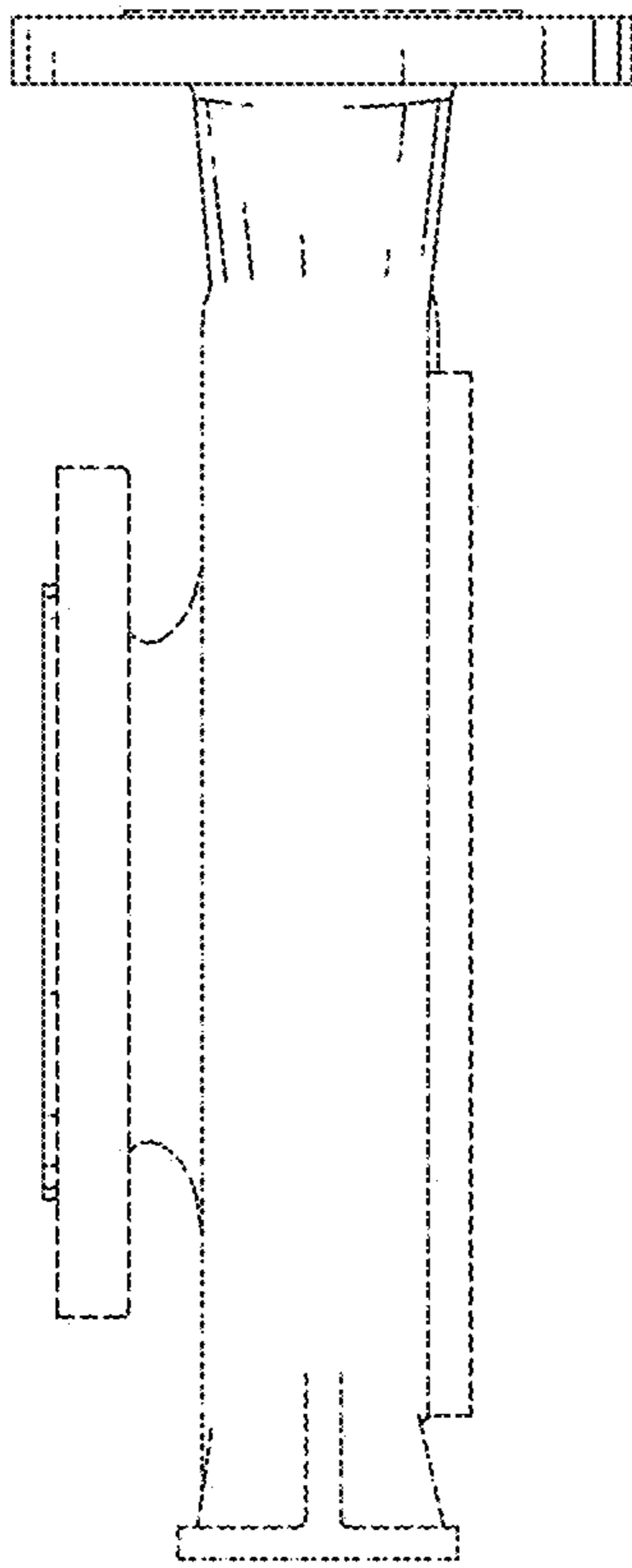


FIG. 89

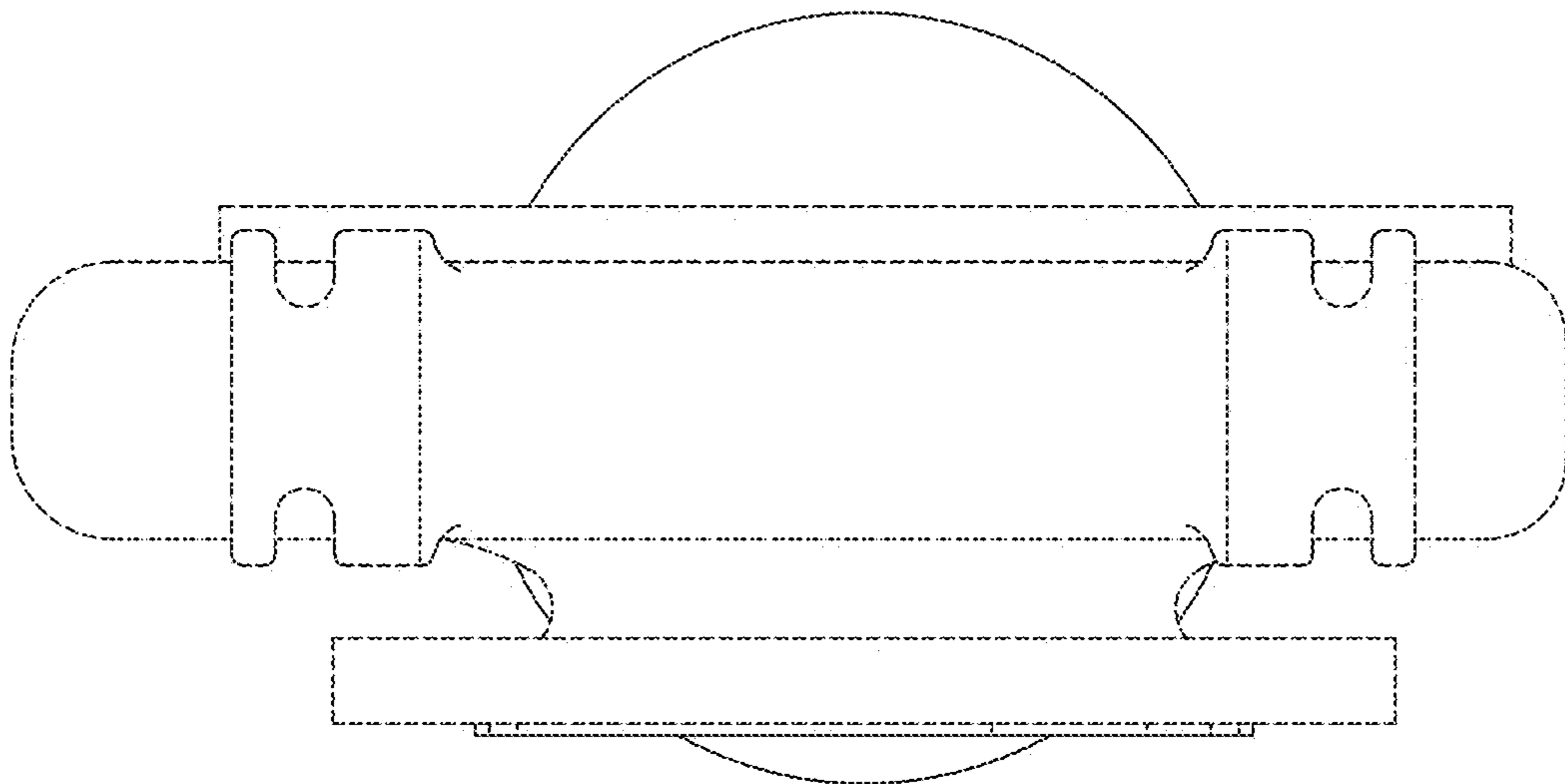


FIG 90

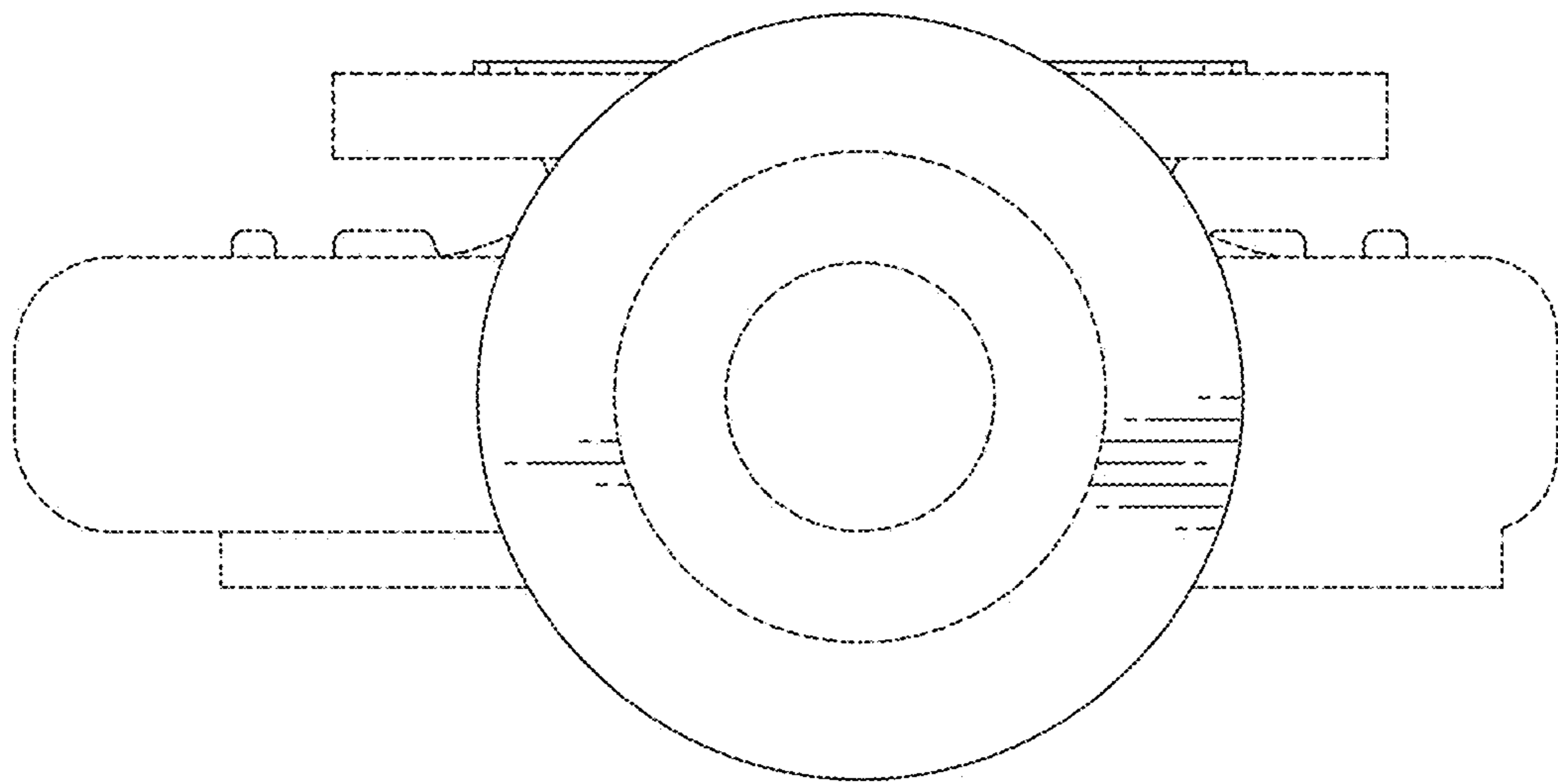


FIG. 91

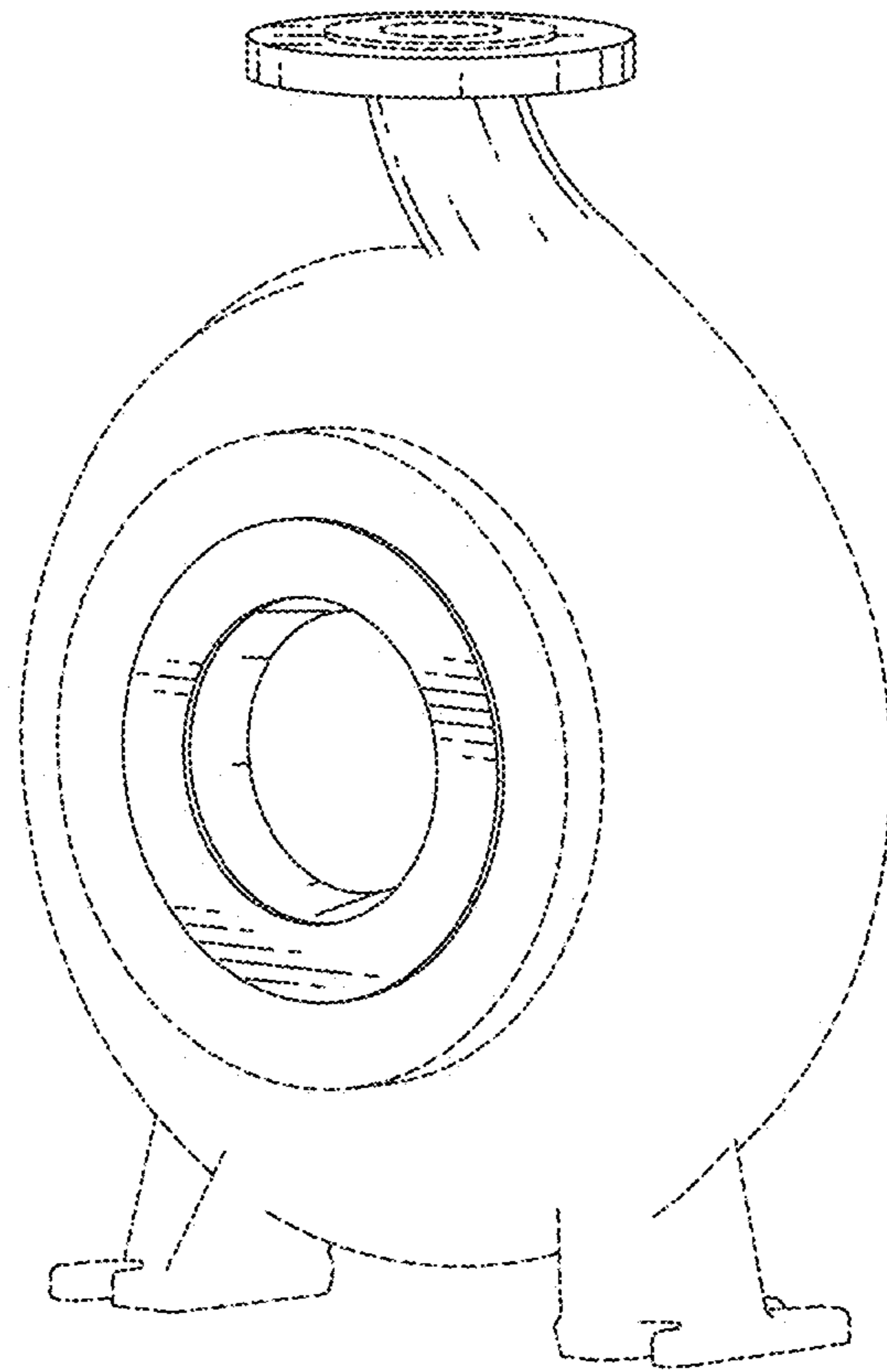


FIG. 92

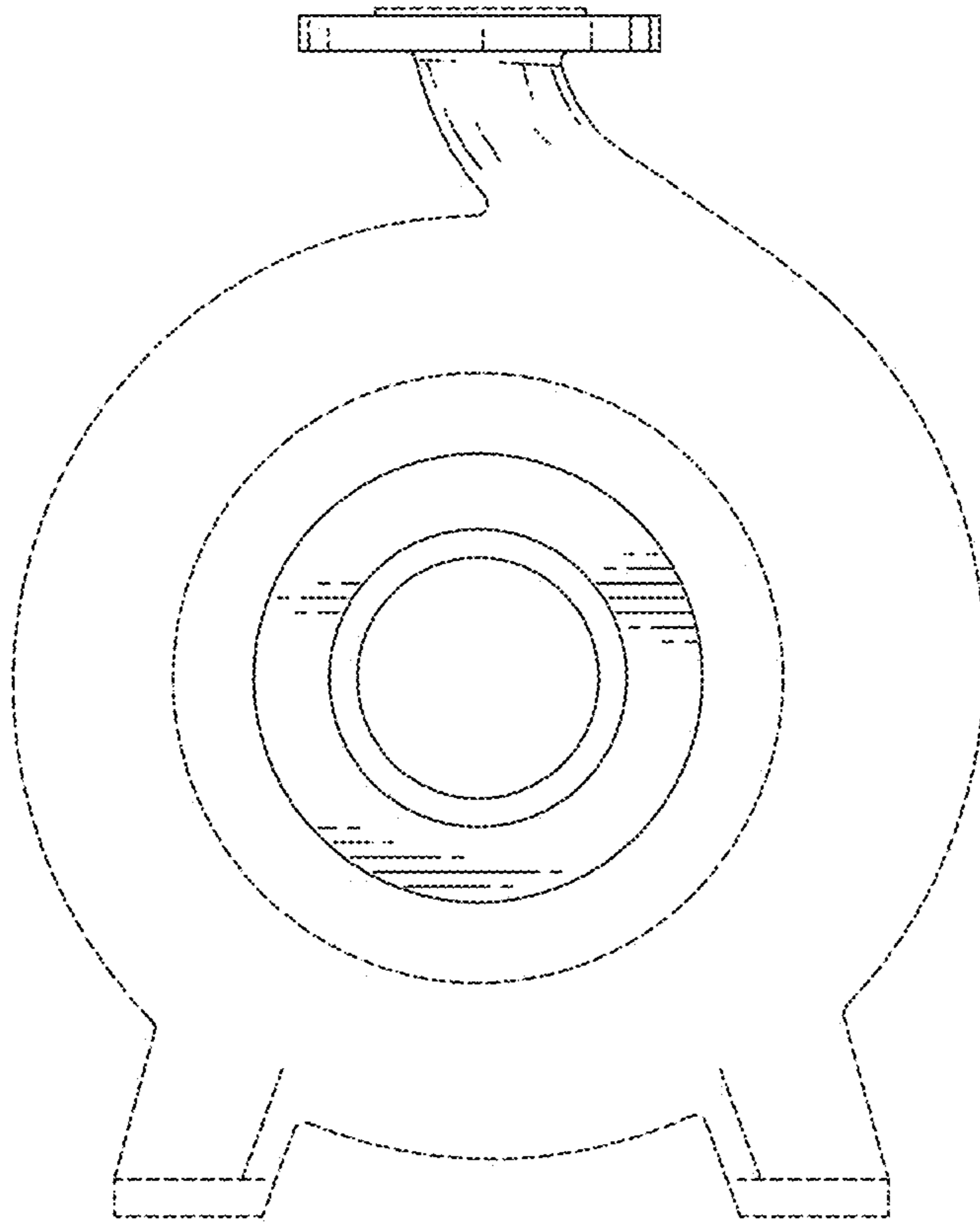


FIG. 93

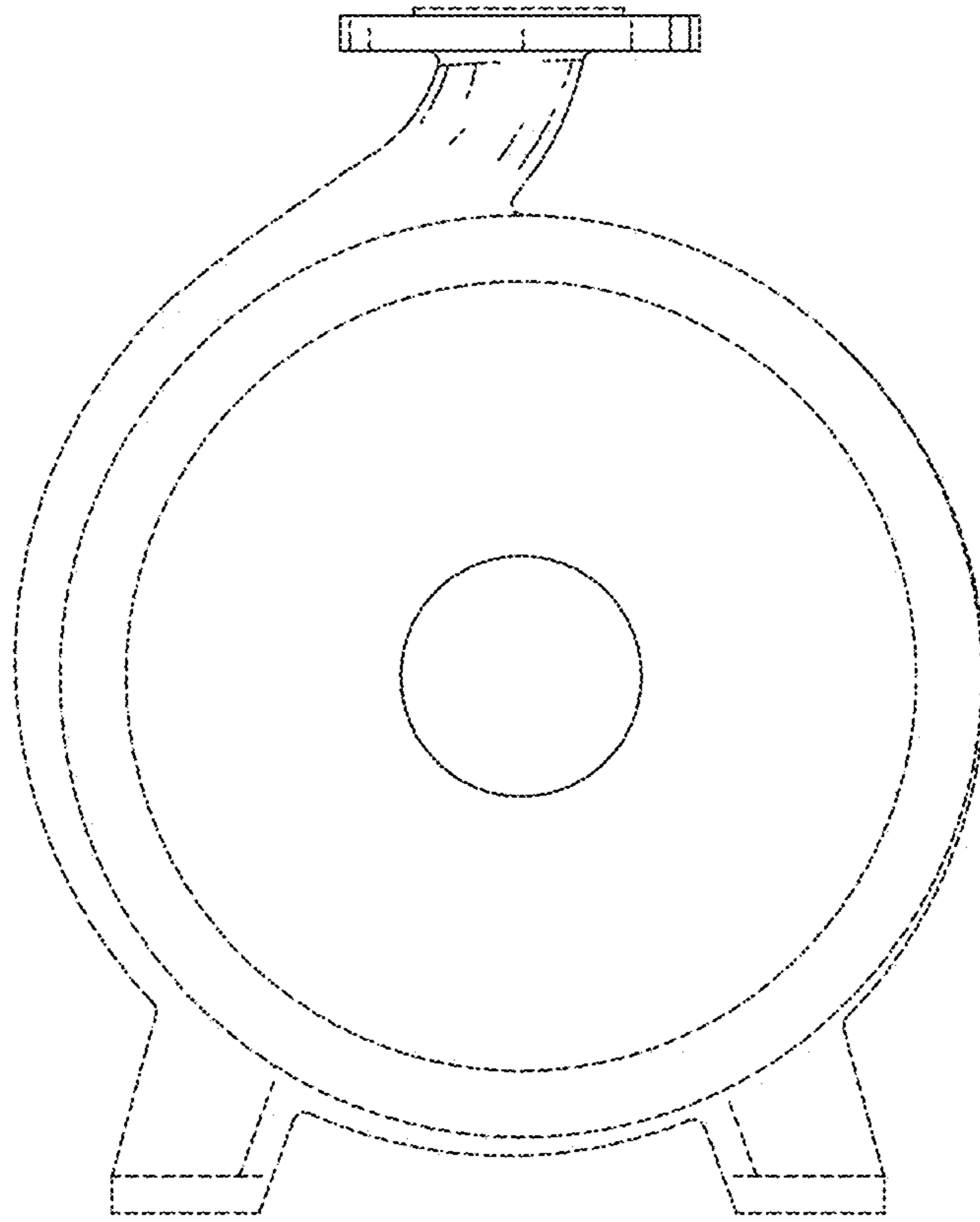


FIG. 94

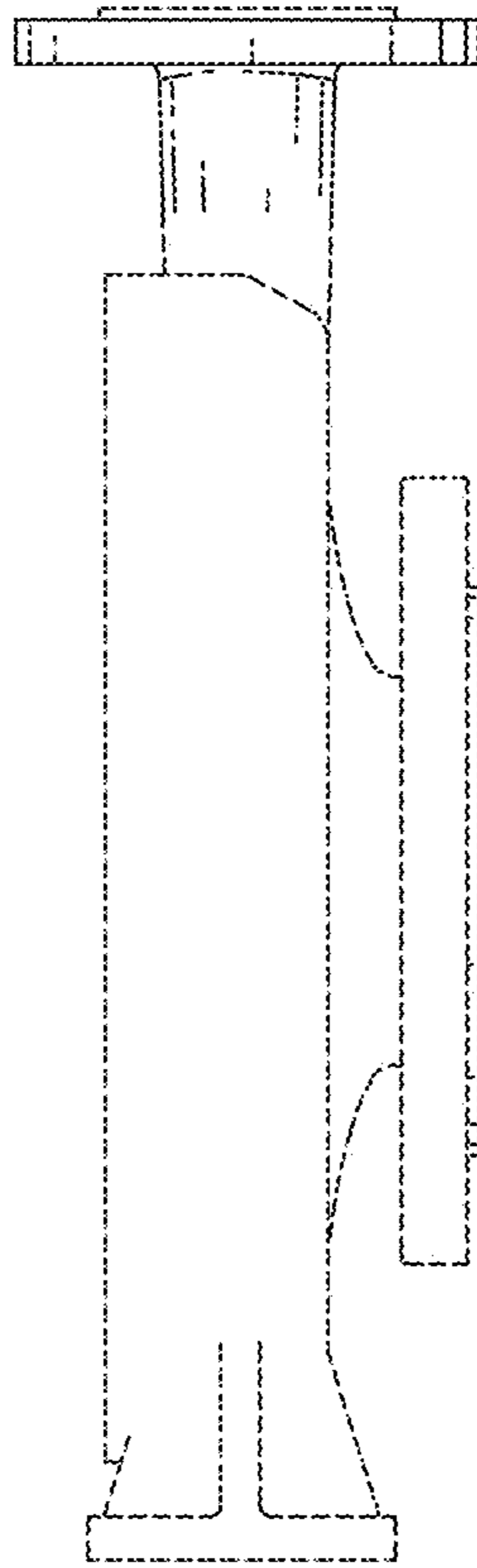


FIG. 95

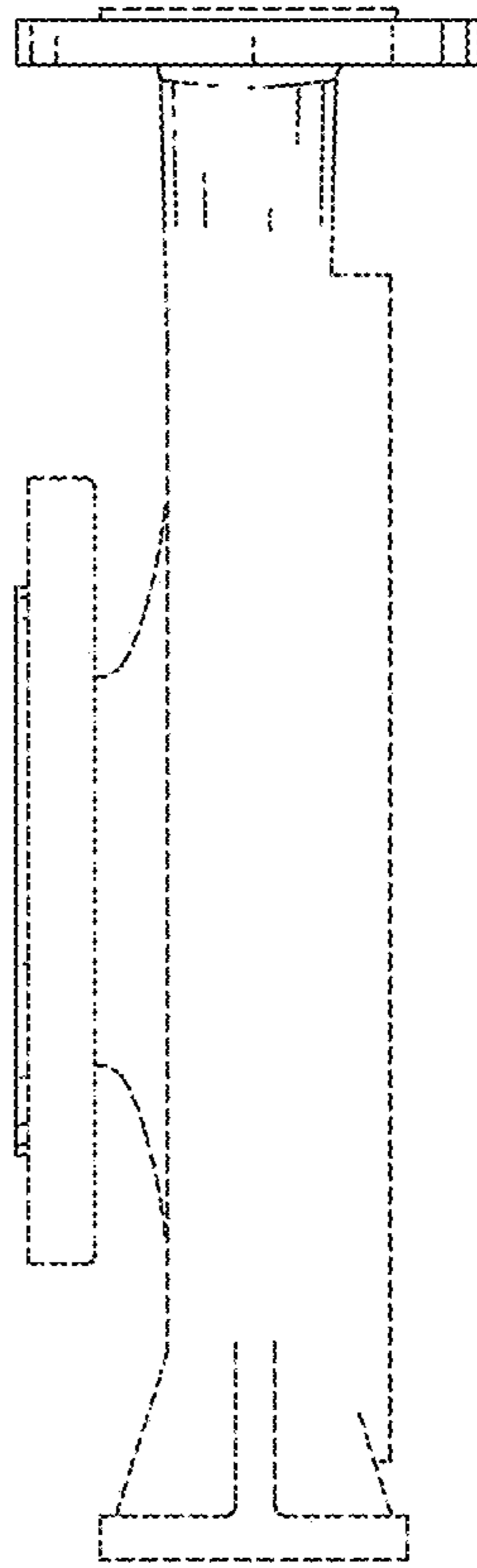


FIG. 96

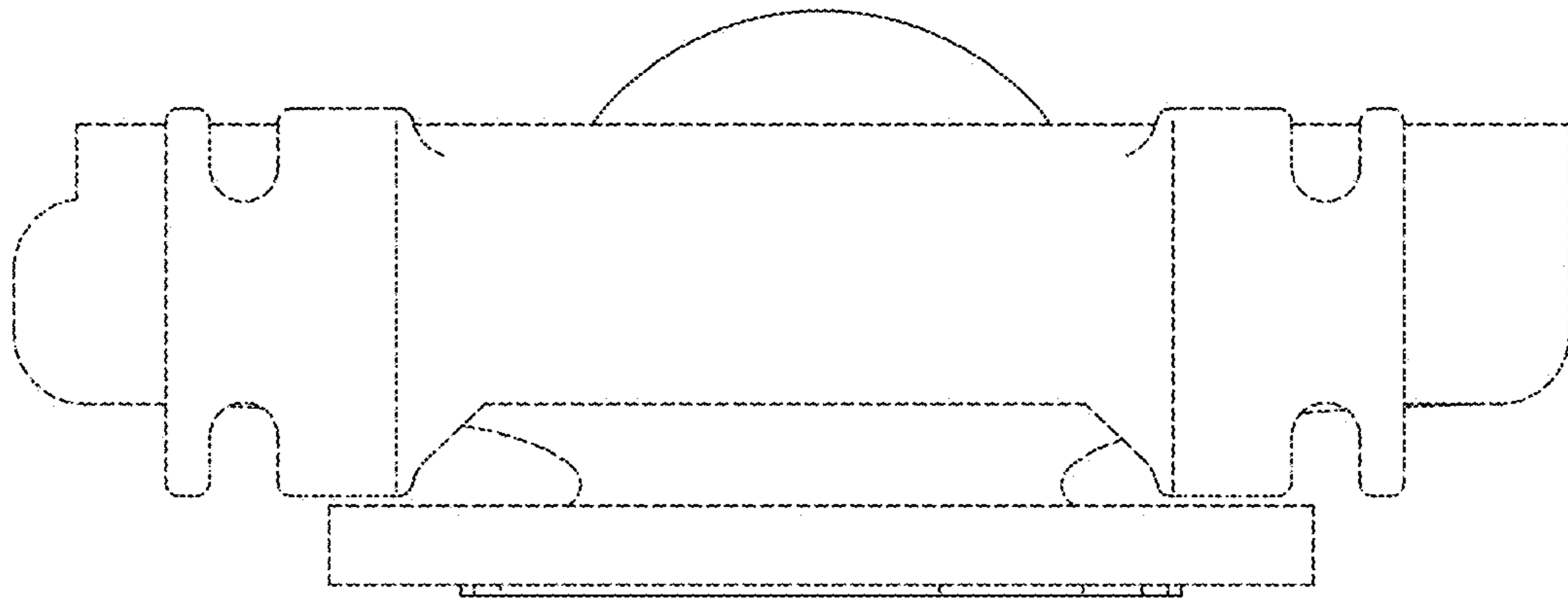


FIG. 97

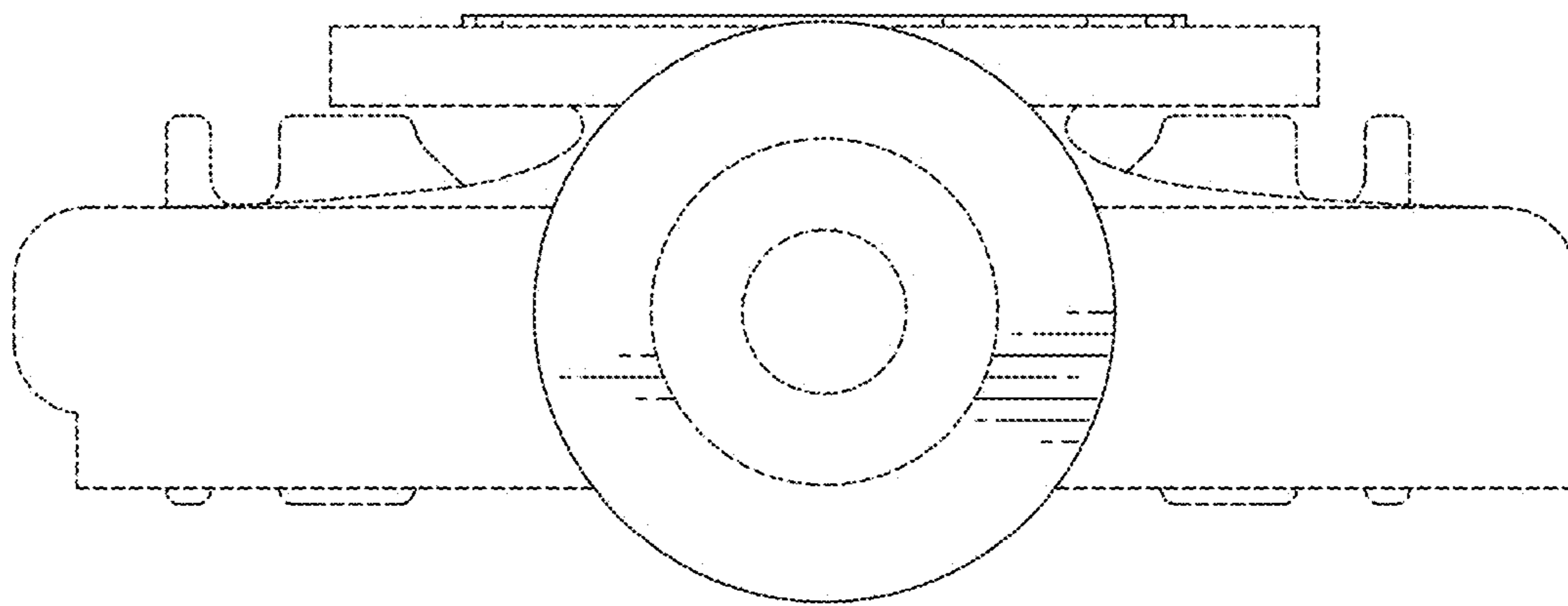


FIG. 98

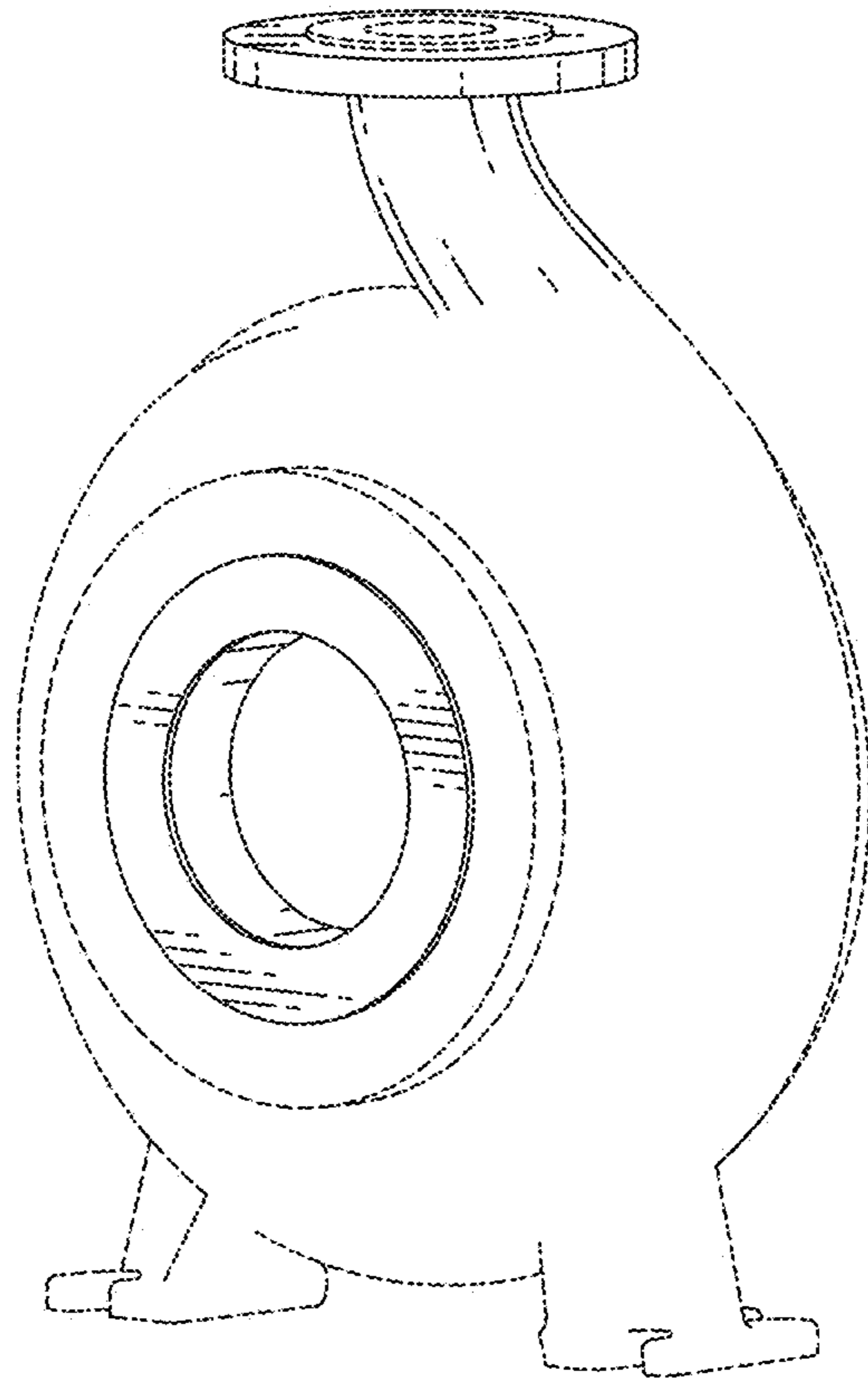


FIG. 99

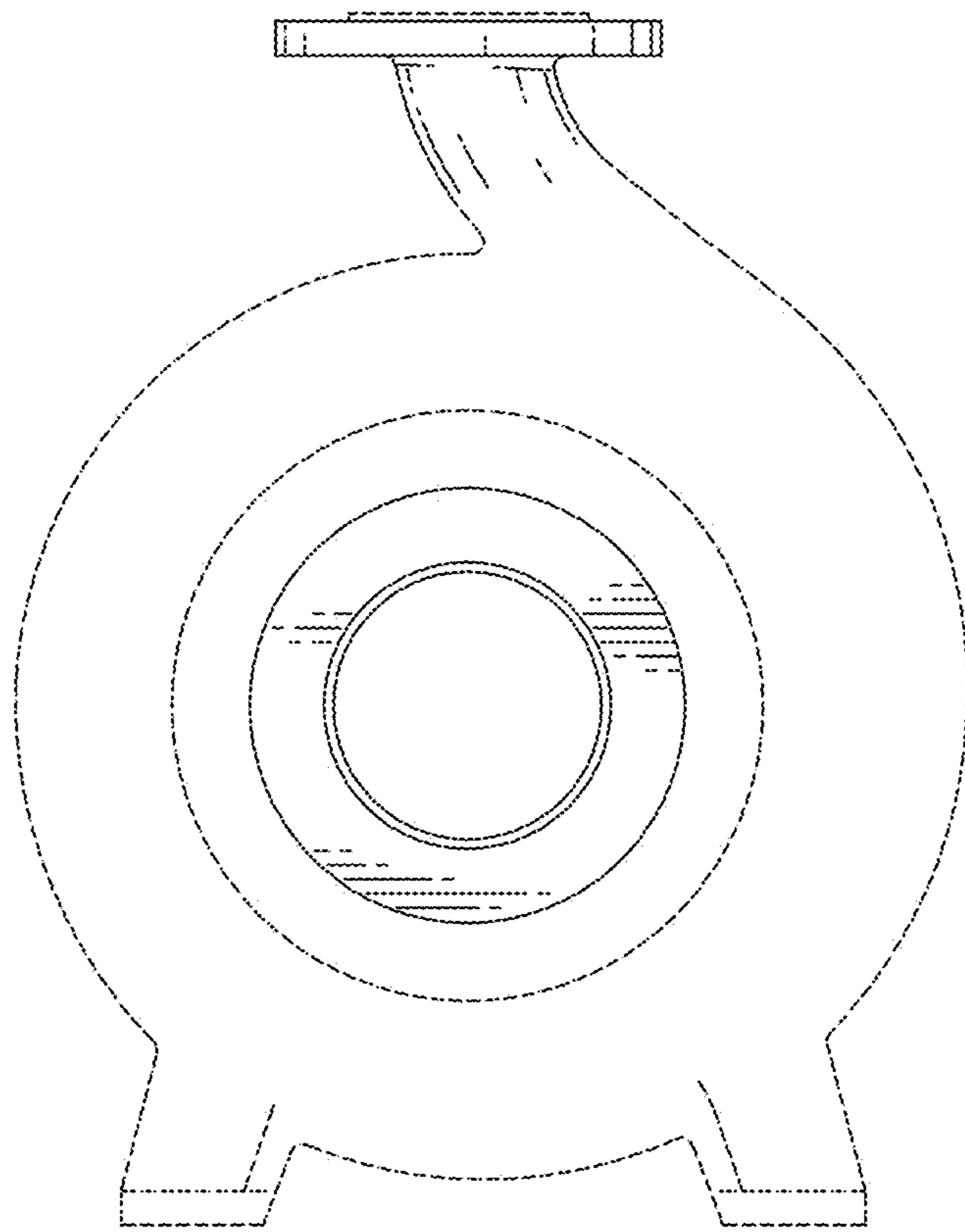


FIG. 100

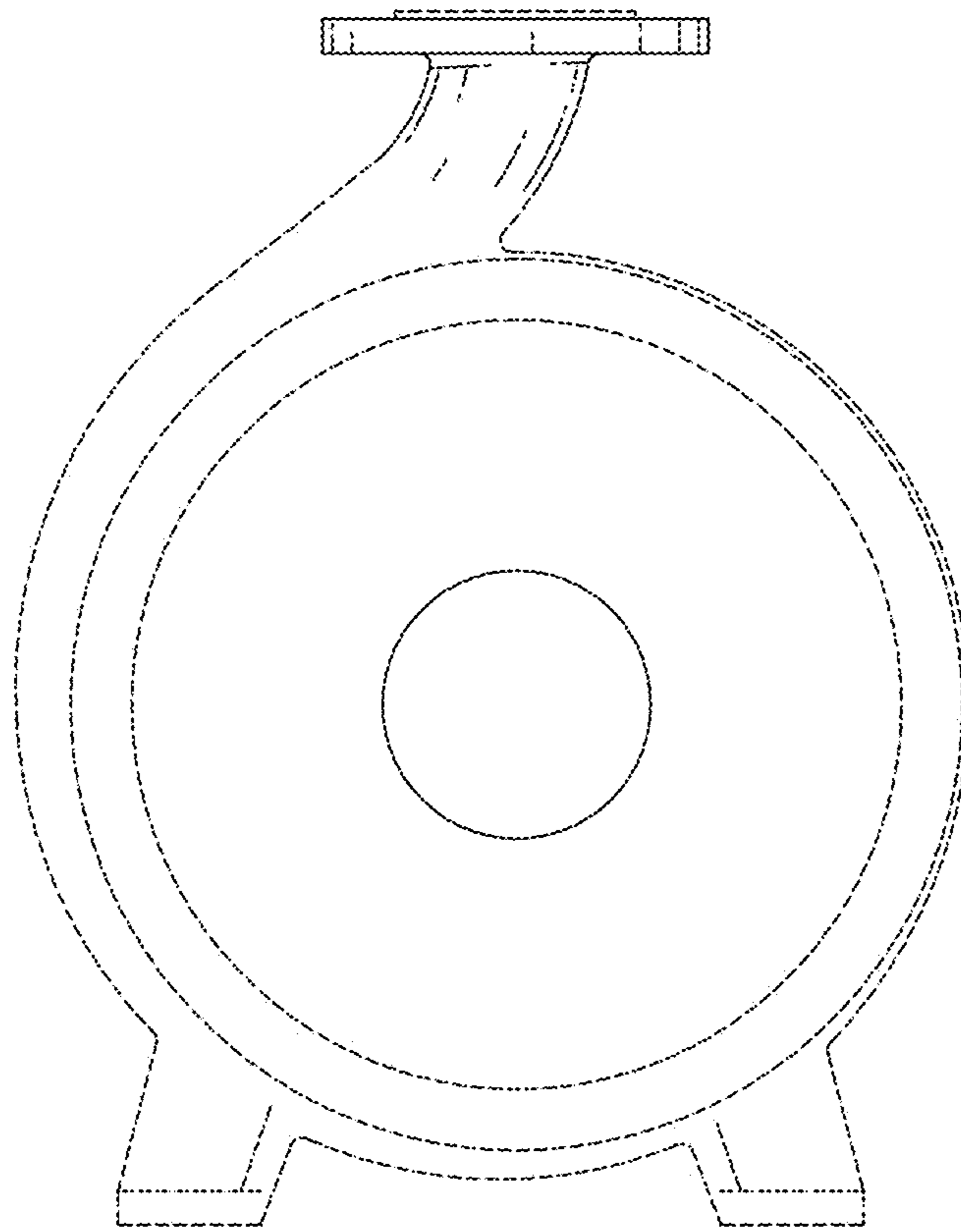


FIG. 101

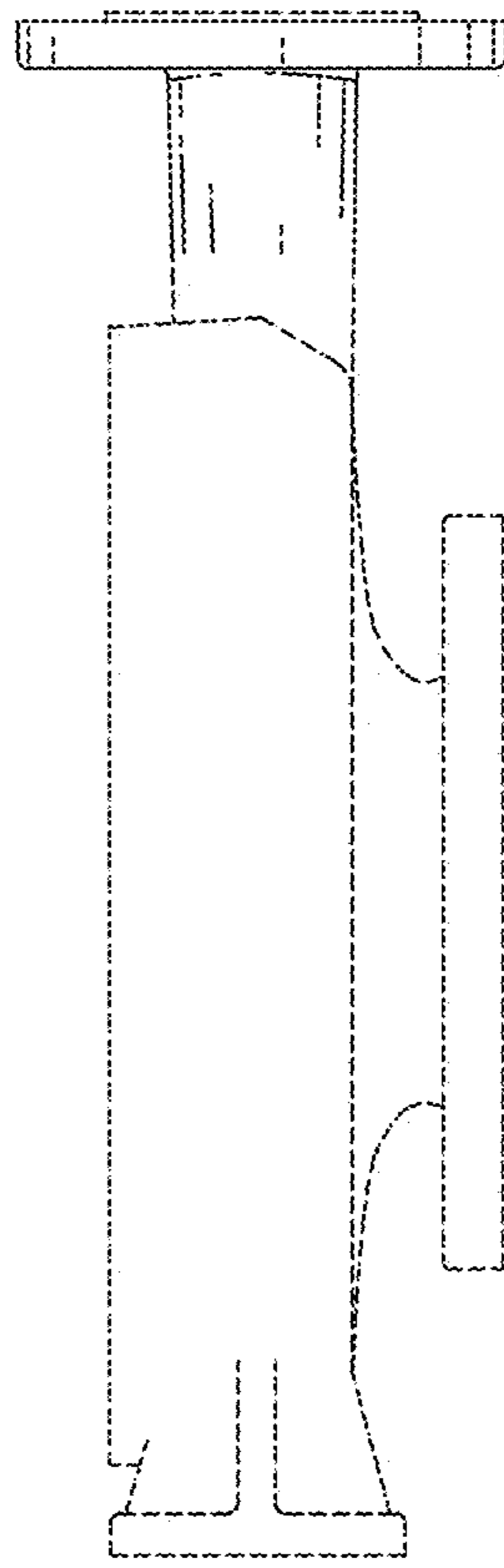


FIG. 102

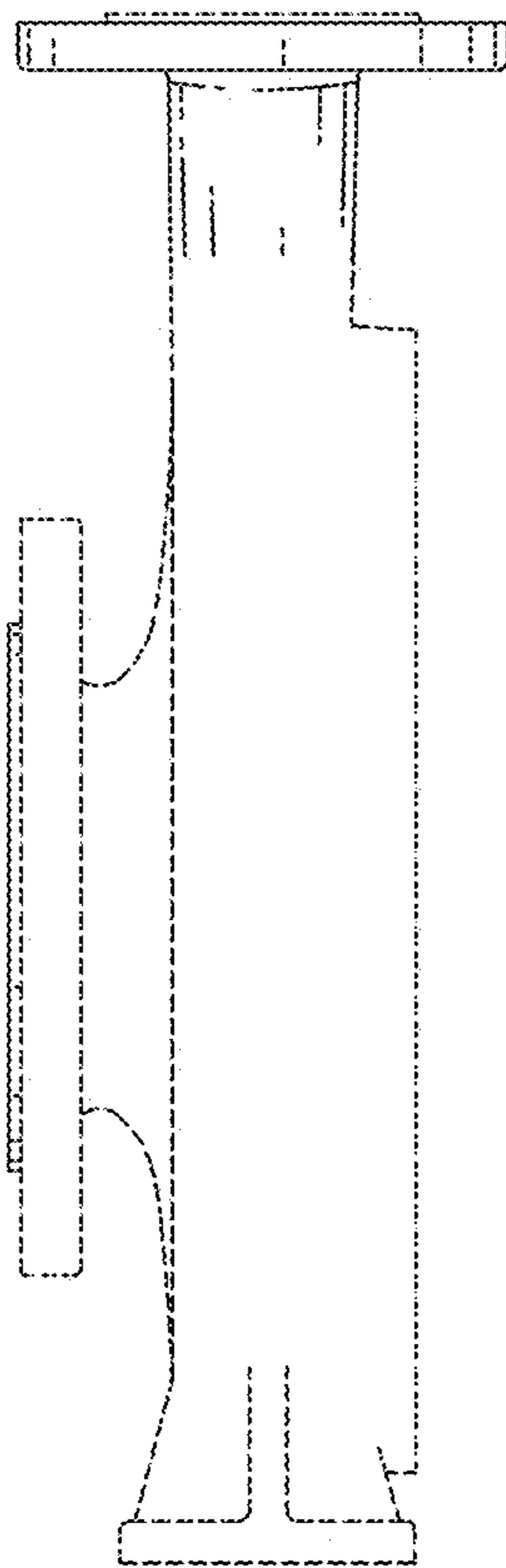


FIG. 103

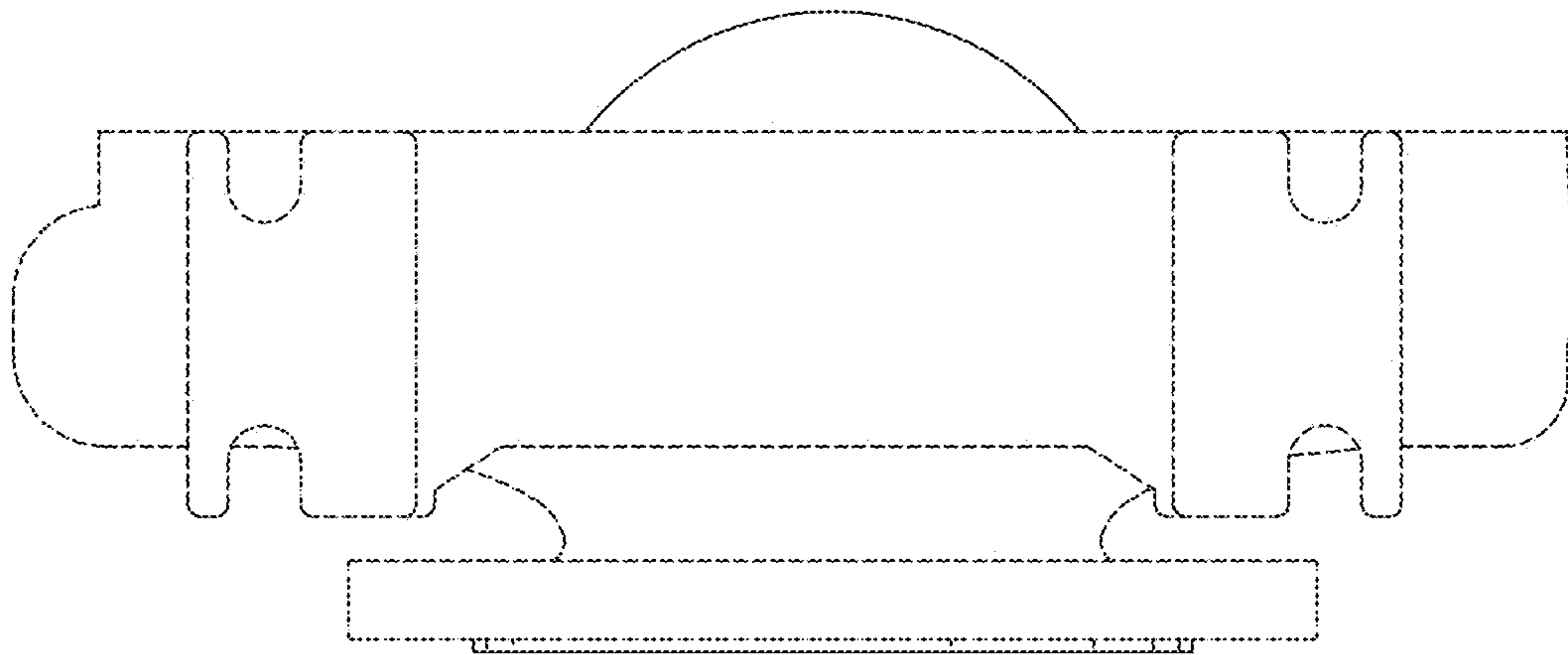


FIG. 104

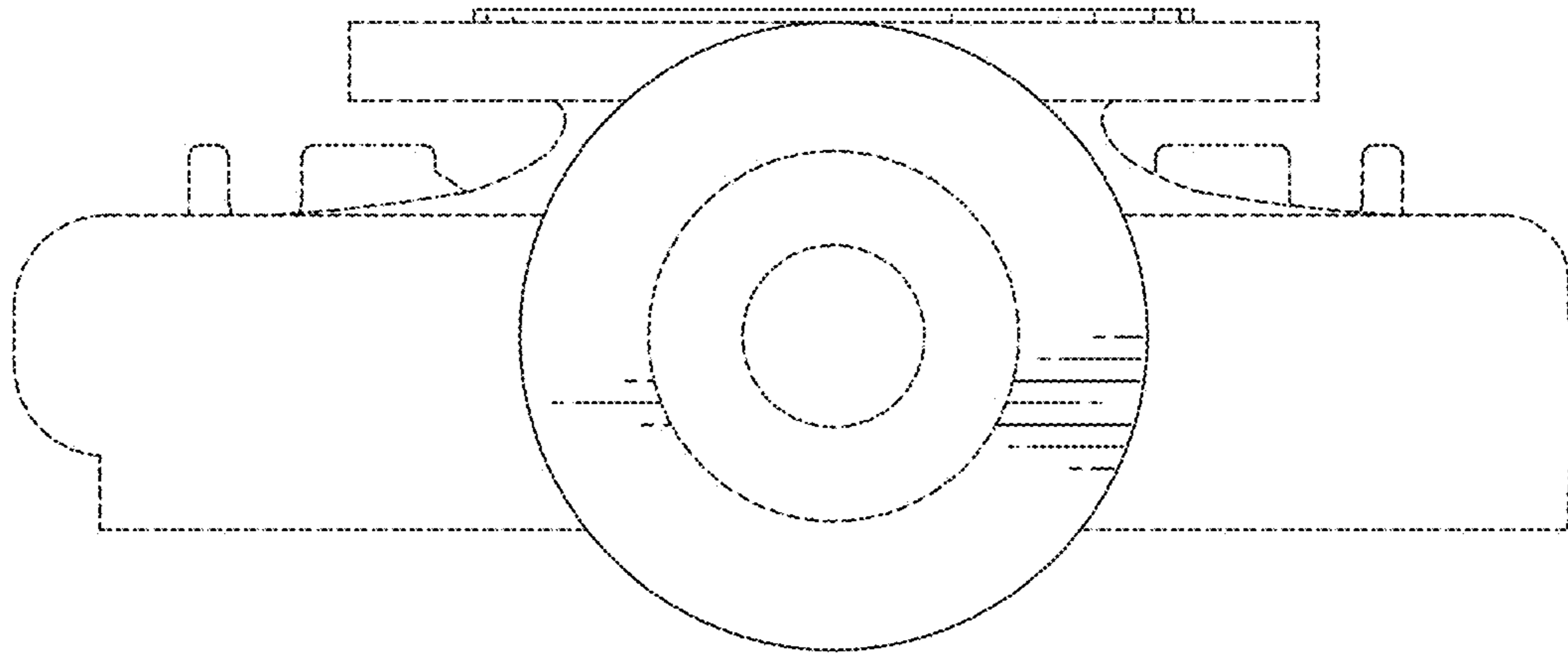


FIG. 105