



US00D926800S

(12) **United States Design Patent** (10) **Patent No.:** **US D926,800 S**
Paul (45) **Date of Patent:** **** Aug. 3, 2021**

(54) **DISPLAY SCREEN WITH AN ANIMATED GRAPHICAL USER INTERFACE**

(71) Applicant: **Facebook, Inc.**, Menlo Park, CA (US)

(72) Inventor: **Debashish Paul**, Sunnyvale, CA (US)

(73) Assignee: **Facebook, Inc.**, Menlo Park, CA (US)

(**) Term: **15 Years**

(21) Appl. No.: **29/767,680**

(22) Filed: **Jan. 25, 2021**

Related U.S. Application Data

(63) Continuation of application No. 29/688,451, filed on Apr. 22, 2019, now Pat. No. Des. 913,313.

(51) **LOC (13) Cl.** **14-04**

(52) **U.S. Cl.**
USPC **D14/486; D14/491**

(58) **Field of Classification Search**

USPC D14/485–495
CPC B60K 37/00; G04B 37/1486; G04B 45/00;
G04B 45/0069; G06F 3/0481; G06F
3/04845; G06F 3/04817; G06F 17/212;
G06F 19/3406; G06T 13/80; G06T 15/02

See application file for complete search history.

(56) **References Cited**

U.S. PATENT DOCUMENTS

D341,848 S 11/1993 Bigelow et al.
D418,496 S 1/2000 Baker et al.
D436,580 S 1/2001 Navano et al.
D478,912 S 8/2003 Johnson
D491,955 S 6/2004 Ording et al.
D536,702 S 2/2007 Parta
D556,768 S 12/2007 Morris
D568,333 S 5/2008 Okaro et al.
D575,792 S 8/2008 Benson
D596,192 S 7/2009 Shotel

D596,646 S 7/2009 Wani
7,636,889 B2 12/2009 Weber et al.
D608,366 S 1/2010 Matas
D620,949 S 8/2010 Loken
D631,888 S 2/2011 Vance et al.

(Continued)

OTHER PUBLICATIONS

Notice of Allowance received for U.S. Appl. No. 29/693,992 dated Dec. 23, 2020, 45 pages.

(Continued)

Primary Examiner — Cary M Robinson

(74) *Attorney, Agent, or Firm* — FisherBroyles, LLP

(57) **CLAIM**

The ornamental design for a display screen with an animated graphical user interface, as shown and described.

DESCRIPTION

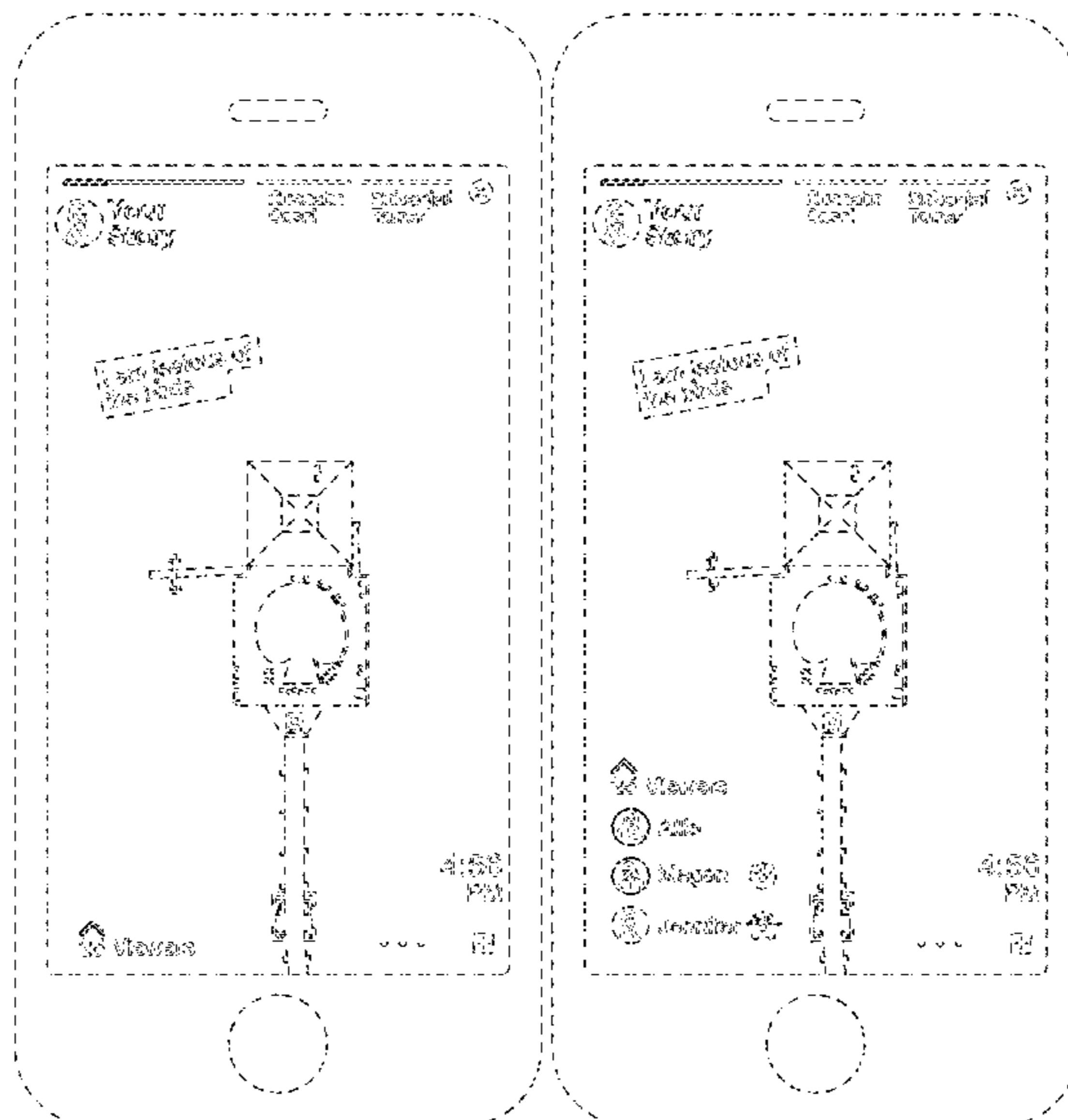
FIG. 1 is a front view of a first image in a sequence for a display screen with an animated graphical user interface showing the claimed design; and,

FIG. 2 is a front view of a second image thereof.

The broken lines shown in these figures form no part of the claimed design. The outermost broken lines, including the outer broken line showing of rounded shapes, illustrate an electronic device and form no part of the claimed design. The broken line at the perimeter of the figures illustrates a display screen and forms no part of the claimed design. The remaining broken lines, including the closely spaced broken lines showing text and icons, illustrate portions of the animated graphical user interface that form no part of the claimed design.

The appearance of the animated graphical user interface sequentially transitions between the images shown in FIGS. 1-2. The process or period in which an image transitions to another forms no part of the claimed design.

1 Claim, 2 Drawing Sheets



(56)

References Cited

U.S. PATENT DOCUMENTS

D637,604 S	5/2011	Brinda	D824,945 S	8/2018	Sagrillo et al.
D637,606 S	5/2011	Luke et al.	D830,406 S	10/2018	Baldi et al.
8,136,039 B2	3/2012	Ebrom et al.	D831,065 S	10/2018	Walkin et al.
8,147,251 B1	4/2012	Anson	D832,299 S	10/2018	Lamperti et al.
8,230,343 B2	7/2012	Logan et al.	D833,465 S	11/2018	Vairamohan
D671,127 S	11/2012	Woo et al.	10,140,650 B2	11/2018	Roberts et al.
D671,552 S	11/2012	Mori et al.	D836,121 S	12/2018	Leong et al.
D673,166 S	12/2012	Mori et al.	10,226,200 B2	3/2019	Vassallo et al.
D682,307 S	5/2013	Donahue et al.	D845,991 S	4/2019	Kessler et al.
D687,062 S	7/2013	Gardner et al.	D846,587 S	4/2019	Behzadi et al.
D692,450 S	10/2013	Convay et al.	D846,597 S	4/2019	Isaacs et al.
D696,263 S	12/2013	Ray et al.	D847,825 S *	5/2019	Coren D14/485
D698,686 S	2/2014	Saikawa et al.	D847,850 S	5/2019	Kim et al.
D698,813 S	2/2014	Brown	D849,769 S	5/2019	Matas
D707,706 S	6/2014	Cranfill et al.	D852,213 S *	6/2019	Clediere D14/486
8,823,654 B2	9/2014	Jeong et al.	D852,216 S	6/2019	Westerhold et al.
D717,816 S	11/2014	Zuckerberg et al.	D852,832 S	7/2019	Westerhold et al.
D723,584 S	3/2015	Van Slembrouck	D854,042 S	7/2019	Sagrillo et al.
D726,197 S	4/2015	Kim et al.	10,348,658 B2	7/2019	Rodriguez et al.
D727,941 S	4/2015	Angelides	D859,446 S	9/2019	Westerhold et al.
D729,271 S	5/2015	Zhang et al.	D861,715 S	10/2019	Haile et al.
D739,413 S	9/2015	Shin et al.	D863,333 S	10/2019	Westerhold et al.
D739,866 S	9/2015	Urdan et al.	D864,990 S	10/2019	Lee et al.
D740,849 S	10/2015	Zou	D864,994 S	10/2019	Cornell
D741,355 S	10/2015	Zou	D865,794 S	11/2019	Lee et al.
D750,661 S	3/2016	Funnell, II et al.	D865,795 S	11/2019	Koo
9,274,696 B1	3/2016	Mierau et al.	D866,582 S	11/2019	Chang et al.
D753,699 S	4/2016	Tsukamoto	D871,438 S	12/2019	Nakahara et al.
D756,396 S	5/2016	Anzures et al.	D872,731 S	1/2020	Wang et al.
D759,722 S	6/2016	Kemp	D873,843 S	1/2020	Jang et al.
D760,243 S	6/2016	Ostrowski et al.	D873,849 S	1/2020	Yamazaki et al.
9,361,322 B1	6/2016	Dutta et al.	D874,491 S	2/2020	Kuo et al.
D760,782 S	7/2016	Kendler et al.	D874,504 S	2/2020	Clediere
D761,845 S	7/2016	Haitani et al.	D875,112 S	2/2020	Clediere
D763,317 S	8/2016	Kim et al.	D875,114 S	2/2020	Clediere
D763,881 S	8/2016	Smith et al.	D875,126 S	2/2020	Greco et al.
9,424,881 B2	8/2016	Casagrande	10,559,224 B2	2/2020	Ternoey
D766,308 S	9/2016	Park et al.	D877,188 S *	3/2020	Williams D14/488
9,443,328 B2	9/2016	Lee et al.	D878,411 S	3/2020	Lee et al.
D768,203 S	10/2016	Kemp	D879,131 S	3/2020	Friedland et al.
D769,295 S	10/2016	Han et al.	D879,807 S	3/2020	Clediere
D771,111 S	11/2016	Roberts et al.	D880,493 S	4/2020	Huang et al.
D772,930 S	11/2016	Vazquez et al.	D880,500 S	4/2020	Clediere
D774,051 S	12/2016	Hart et al.	D881,925 S	4/2020	Hansen et al.
9,529,492 B2	12/2016	Cho et al.	10,623,831 B1	4/2020	Paul
D777,768 S	1/2017	Persson et al.	D884,013 S	5/2020	Clediere
D777,787 S	1/2017	Kemp	D884,733 S	5/2020	Cornell
9,557,876 B2	1/2017	Matas	D885,415 S	5/2020	Deng
D778,310 S	2/2017	Roberts et al.	D886,127 S	6/2020	Conover et al.
D778,311 S	2/2017	Denis et al.	D887,438 S	6/2020	Kang et al.
9,589,538 B2	3/2017	Davidson et al.	D887,439 S	6/2020	Elgena
D783,658 S	4/2017	Hurst et al.	D888,070 S	6/2020	Yusupov et al.
9,641,898 B2	5/2017	Bloch et al.	D888,089 S	6/2020	Chaudhri et al.
D789,977 S	6/2017	Mijatovic et al.	D888,733 S	6/2020	Fong et al.
D791,164 S	7/2017	Rice et al.	D888,738 S	6/2020	Chang et al.
D794,651 S	8/2017	Cavander et al.	10,684,738 B1	6/2020	Sicora et al.
9,727,927 B2	8/2017	Juan et al.	D889,487 S	7/2020	Clediere
9,772,738 B2	9/2017	Na et al.	D890,198 S	7/2020	Paul
D800,762 S	10/2017	Aoshima	D890,201 S	7/2020	Li et al.
D801,992 S	11/2017	Fischbach	D890,805 S	7/2020	Echeverri et al.
D804,509 S	12/2017	Hurst et al.	D892,140 S	8/2020	Clediere et al.
D804,510 S	12/2017	Federighi et al.	D892,156 S	8/2020	Boettner
D805,097 S	12/2017	Chaudhri et al.	D892,816 S	8/2020	Lakas et al.
D805,543 S	12/2017	Baker	D892,838 S	8/2020	Hansen et al.
D809,001 S	1/2018	Funnell, II et al.	D892,848 S	8/2020	McCollum et al.
D812,089 S	3/2018	Walkin	D892,862 S	8/2020	Hsu et al.
D812,098 S	3/2018	Chung	D894,921 S	9/2020	Paul
D812,641 S	3/2018	Walkin	D894,949 S	9/2020	Shuttleworth et al.
D814,504 S	4/2018	Lee et al.	D895,662 S	9/2020	Zhao
9,936,184 B2	4/2018	Kaiser et al.	D896,259 S	9/2020	Doti et al.
D820,857 S	6/2018	Sutton et al.	D897,353 S	9/2020	Hall et al.
D820,867 S	6/2018	Dickens et al.	D898,066 S	10/2020	Kim et al.
D822,702 S	7/2018	Gandhi et al.	D898,074 S	10/2020	Spors et al.
D823,333 S	7/2018	Hiratsuka et al.	D899,435 S	10/2020	Pazmino et al.
D824,944 S	8/2018	Sagrillo et al.	D899,438 S	10/2020	Crafts et al.
			D899,443 S	10/2020	Sharp et al.
			D899,448 S	10/2020	VanDuyn et al.
			D900,146 S	10/2020	Lewis et al.
			D900,148 S	10/2020	Bao

(56)

References Cited

U.S. PATENT DOCUMENTS

10,817,142 B1 10/2020 Paul
 D900,834 S 11/2020 Yamazaki et al.
 D900,859 S 11/2020 Satterlie et al.
 D900,863 S 11/2020 Clingerman
 D902,241 S 11/2020 Clediere
 D902,248 S 11/2020 Vazquez et al.
 D902,250 S 11/2020 Chen et al.
 D902,947 S 11/2020 Boelte et al.
 D903,699 S 12/2020 Paul
 D903,707 S 12/2020 Sowden et al.
 D903,708 S 12/2020 Poueriet
 D904,421 S 12/2020 Hansen et al.
 D904,423 S 12/2020 Hansen et al.
 D904,425 S 12/2020 Paul
 D904,433 S * 12/2020 Paul D14/485
 D905,074 S 12/2020 Lin et al.
 D905,108 S 12/2020 Kang et al.
 D910,064 S * 2/2021 Paul D14/488
 D910,649 S * 2/2021 Paul D14/485
 D910,663 S 2/2021 Clediere et al.
 D911,378 S 2/2021 Woodson et al.
 D911,382 S 2/2021 Devine et al.
 D912,700 S 3/2021 Paul
 D913,313 S * 3/2021 Paul D14/487
 D913,314 S 3/2021 Paul
 D914,049 S 3/2021 Paul
 D914,051 S * 3/2021 Paul D14/487
 D914,058 S 3/2021 Paul
 D914,705 S 3/2021 Paul
 D914,712 S 3/2021 Cielak et al.
 D914,757 S 3/2021 Paul
 10,963,128 B1 3/2021 Paul
 D915,447 S 4/2021 Cohen et al.
 D916,764 S 4/2021 Kirsanov et al.
 D916,788 S 4/2021 Andress et al.
 D916,915 S 4/2021 Paul
 D917,533 S 4/2021 Paul
 10,970,884 B1 4/2021 Yang et al.
 D918,264 S 5/2021 Paul
 2003/0093790 A1 5/2003 Logan et al.
 2007/0067738 A1 3/2007 Flynt
 2008/0092168 A1 4/2008 Logan et al.
 2008/0235247 A1 9/2008 Krantz et al.
 2009/0046057 A1 2/2009 Umezawa
 2009/0265628 A1 10/2009 Bamford et al.
 2010/0241961 A1 9/2010 Peterson et al.
 2010/0241962 A1 9/2010 Peterson et al.
 2011/0145751 A1 6/2011 Landman et al.
 2012/0036552 A1 2/2012 Dare et al.
 2012/0087637 A1 4/2012 Logan et al.
 2012/0159318 A1 6/2012 Shaw et al.
 2012/0209815 A1 8/2012 Carson et al.
 2012/0299933 A1 11/2012 Lau et al.
 2013/0198661 A1 8/2013 Matas
 2013/0227414 A1 8/2013 Hwang et al.
 2013/0314341 A1 11/2013 Lee et al.
 2013/0321340 A1 12/2013 Seo et al.
 2014/0025796 A1 1/2014 Vibhor et al.
 2014/0082497 A1 3/2014 Chalouhi et al.
 2014/0096062 A1 4/2014 Luu et al.
 2014/0104320 A1 4/2014 Davidson et al.
 2014/0189607 A1 7/2014 Shuttleworth et al.
 2014/0215367 A1 7/2014 Kim et al.
 2014/0218393 A1 8/2014 Lee et al.
 2014/0222512 A1 8/2014 Pace
 2014/0298233 A1 10/2014 Pettey
 2014/0359443 A1 12/2014 Hwang
 2015/0089369 A1 3/2015 Ahm
 2015/0121252 A1 4/2015 Yerli
 2015/0220774 A1 8/2015 Ebersman et al.
 2015/0223308 A1 8/2015 Yen
 2015/0326912 A1 11/2015 Casagrande
 2016/0034133 A1 2/2016 Wilson et al.
 2016/0072841 A1 3/2016 Caporal et al.
 2016/0078471 A1 3/2016 Hamedi

2016/0149956 A1 5/2016 Birnbaum et al.
 2016/0155063 A1 6/2016 Rich
 2016/0225030 A1 8/2016 Iyer et al.
 2016/0277528 A1 9/2016 Guillaume et al.
 2016/0309321 A1 10/2016 Song et al.
 2016/0314120 A1 10/2016 Dauderman et al.
 2016/0328100 A1 11/2016 Rajaraman et al.
 2016/0357413 A1 12/2016 Block et al.
 2016/0357420 A1 12/2016 Wilson et al.
 2016/0381110 A1 12/2016 Bamett et al.
 2017/0038843 A1 2/2017 Flynn, III et al.
 2017/0185581 A1 6/2017 Bojja et al.
 2017/0250931 A1 8/2017 Loannou et al.
 2017/0277691 A1 9/2017 Agarwal
 2017/0308290 A1 10/2017 Patel
 2017/0329465 A1 11/2017 Hong
 2017/0336928 A1 11/2017 Chaudhri et al.
 2018/0039406 A1 2/2018 Kong et al.
 2018/0082313 A1 3/2018 Duggin et al.
 2018/0173692 A1 6/2018 Greenberg et al.
 2018/0210874 A1 7/2018 Fuxman et al.
 2018/0218458 A1 8/2018 Benfield et al.
 2018/0335920 A1 11/2018 Tyler
 2019/0049394 A1 2/2019 Iwao
 2019/0075340 A1 3/2019 Hochart
 2019/0147017 A1 5/2019 Tran
 2019/0391727 A1* 12/2019 Gomez-Rosado G06N 20/00
 2020/0026755 A1 1/2020 Hewitt et al.
 2020/0111173 A1 4/2020 Benfield et al.
 2020/0226173 A1 7/2020 Zhang
 2020/0233911 A1 7/2020 Siroker et al.
 2020/0257859 A1 8/2020 Hewitt et al.

OTHER PUBLICATIONS

Notice of Allowance received for U.S. Appl. No. 29/693,880 dated Dec. 23, 2020, 47 pages.
 Notice of Allowance received for U.S. Appl. No. 29/693,879 dated Dec. 23, 2020, 53 pages.
 Notice of Allowance received for U.S. Appl. No. 29/693,991 dated Feb. 18, 2021, 49 pages.
 Non-Final Office Action received for U.S. Appl. No. 16/425,909 dated Jan. 21, 2021, 44 pages.
 Non-Final Office Action received for U.S. Appl. No. 29/688,445 dated Feb. 16, 2021, 26 pages.
 Notice of Allowance received for U.S. Appl. No. 29/693,881 dated Feb. 18, 2021, 53 pages.
 Notice of Allowance received for U.S. Appl. No. 16/425,908 dated Jan. 15, 2020, 22 pages.
 Paul, Debashish, "Macro-Navigation within a Digital Story Framework", U.S. Appl. No. 16/416,312 dated May 20, 2019, 51 pages.
 Paul, Debashish, "Interactive Digital Time Display", U.S. Appl. No. 16/416,313 dated May 20, 2019, 46 pages.
 Paul, Debashish, "Archive Full-Story Mode", U.S. Appl. No. 29/693,993 dated Jun. 6, 2019, 11 pages.
 Paul, Debashish, "Archive Calendar Interface", U.S. Appl. No. 29/693,991 dated Jun. 6, 2019, 11 pages.
 Paul, Debashish, "Archive Montage Interface", U.S. Appl. No. 29/693,989 dated Jun. 6, 2019, 11 pages.
 Paul, Debashish, "Automated Social Media Replies", U.S. Appl. No. 16/425,909 dated May 29, 2019, 46 pages.
 Paul, Debashish, "Systems and Methods for Digital Privacy Controls", U.S. Appl. No. 16/425,907 dated May 29, 2019, 45 pages.
 Non-Final Office Action received for U.S. Appl. No. 16/425,909 dated May 11, 2020, 28 pages.
 Notice of Allowance received for U.S. Appl. No. 16/425,907 dated Apr. 9, 2020, 29 pages.
 Paul, Debashish, "Systems and Methods for Digital Privacy Controls", U.S. Appl. No. 15/931,145 filed May 13, 2020, 49 pages.
 Notice of Allowance received for U.S. Appl. No. 16/416,312 dated Jul. 31, 2020, 53 pages.
 Non-Final Office Action received for U.S. Appl. No. 29/693,993 dated Sep. 18, 2020, 24 pages.
 Non-Final Office Action received for U.S. Appl. No. 29/693,991 dated Oct. 1, 2020, 24 pages.

(56)

References Cited

OTHER PUBLICATIONS

Non-Final Office Action received for U.S. Appl. No. 29/693,989 dated Sep. 18, 2020, 24 pages.
 Final Office Action received for U.S. Appl. No. 16/425,909 dated Sep. 23, 2020, 26 pages.
 Preinterview First Office Action received for U.S. Appl. No. 15/931,145 dated Sep. 22, 2020, 23 pages.
 Non-Final Office Action received for U.S. Appl. No. 29/688,460 dated Aug. 7, 2020, 14 pages.
 Non-Final Office Action received for U.S. Appl. No. 29/688,458 dated Aug. 7, 2020, 14 pages.
 Non-Final Office Action received for U.S. Appl. No. 29/688,457 dated Aug. 7, 2020, 13 pages.
 Non-Final Office Action received for U.S. Appl. No. 29/688,456 dated Aug. 7, 2020, 17 pages.
 Non-Final Office Action received for U.S. Appl. No. 29/688,452 dated Aug. 7, 2020, 18 pages.
 Non-Final Office Action received for U.S. Appl. No. 29/688,451 dated Aug. 7, 2020, 17 pages.
 Non-Final Office Action received for U.S. Appl. No. 29/693,878 dated Sep. 17, 2020, 10 pages.
 Non-Final Office Action received for U.S. Appl. No. 29/688,446 dated Aug. 7, 2020, 18 pages.
 Non-Final Office Action received for U.S. Appl. No. 29/688,445 dated Aug. 7, 2020, 18 pages.
 Non-Final Office Action received for U.S. Appl. No. 29/693,992 dated Sep. 18, 2020, 11 pages.
 Non-Final Office Action received for U.S. Appl. No. 29/693,881 dated Sep. 18, 2020, 10 pages.
 Non-Final Office Action received for U.S. Appl. No. 29/693,880 dated Sep. 18, 2020, 9 pages.
 Non-Final Office Action received for U.S. Appl. No. 29/693,879 dated Sep. 18, 2020, 9 pages.
 Paul, Debashish, "Macro-Navigation Within a Digital Story Framework", U.S. Appl. No. 17/023,091 dated Sep. 16, 2020, 53 pages.
 Notice of Allowance received for U.S. Appl. No. 29/688,460 dated Dec. 1, 2020, 40 pages.
 Buckell, FabioMake, "How to Create and Personalize Facebook Stories", URL: <https://www.maketecheasier.com/create-personalize-facebook-stories/>, Make Tech Easier, Nov. 17, 2018, 2 pages.
 Notice of Allowance received for U.S. Appl. No. 29/688,458 dated Dec. 1, 2020, 40 pages.
 Kishore, Aseem, "How to Delete Messages on Facebook for Good", URL: <https://www.online-tech-tips.com/computer-tips/how-to-delete-messages-on-facebook-for-good/>, Online Tech Tips, Jun. 22, 2012, 1 page.

Notice of Allowance received for U.S. Appl. No. 29/688,457 dated Dec. 1, 2020, 39 pages.
 Notice of Allowance received for U.S. Appl. No. 29/688,456 dated Nov. 25, 2020, 40 pages.
 Notice of Allowance received for U.S. Appl. No. 29/688,452 dated Dec. 1, 2020, 40 pages.
 Notice of Allowance received for U.S. Appl. No. 29/688,451 dated Nov. 25, 2020, 39 pages.
 Notice of Allowance received for U.S. Appl. No. 29/693,878 dated Nov. 27, 2020, 39 pages.
 Notice of Allowance received for U.S. Appl. No. 29/688,446 dated Dec. 1, 2020, 39 pages.
 Notice of Allowance received for U.S. Appl. No. 29/693,993 dated Dec. 24, 2020, 41 pages.
 Notice of Allowance received for U.S. Appl. No. 29/693,989 dated Dec. 28, 2020, 42 pages.
 Notice of Allowance received for U.S. Appl. No. 29/688,460 dated Dec. 23, 2020, 8 pages.
 Notice of Allowance received for U.S. Appl. No. 29/688,457 dated Dec. 24, 2020, 8 pages.
 Notice of Allowance received for U.S. Appl. No. 29/688,456 dated Dec. 23, 2020, 8 pages.
 Notice of Allowance received for U.S. Appl. No. 29/688,452 dated Dec. 23, 2020, 8 pages.
 Notice of Allowance received for U.S. Appl. No. 29/688,451 dated Dec. 23, 2020, 8 pages.
 Notice of Allowance received for U.S. Appl. No. 29/693,878 dated Dec. 23, 2020, 8 pages.
 Notice of Allowance received for U.S. Appl. No. 29/688,446 dated Dec. 23, 2020, 8 pages.
 U.S. Appl. No. 16/416,313, filed May 20, 2019.
 U.S. Appl. No. 29/688,451, filed Apr. 22, 2019.
 Non-Final Office Action received for U.S. Appl. No. 29/767,684 dated Mar. 4, 2021, 41 pages.
 Notice of Allowance received for U.S. Appl. No. 29/767,684 dated Apr. 6, 2021, 20 pages.
 Notice of Allowance received for U.S. Appl. No. 29/688,445 dated Apr. 7, 2021, 24 pages.
 Preinterview First Office Action received for U.S. Appl. No. 16/416,313 dated May 12, 2021, 24 pages.
 Final Office Action received for U.S. Appl. No. 15/931,145 dated May 14, 2021, 67 pages.
 Notice of Allowance received for U.S. Appl. No. 29/767,685 dated May 3, 2021, 61 pages.
 Notice of Allowance received for U.S. Appl. No. 29/774,641 dated May 3, 2021, 24 pages.
 Notice of Allowance received for U.S. Appl. No. 29/774,874 dated May 4, 2021, 23 pages.

* cited by examiner

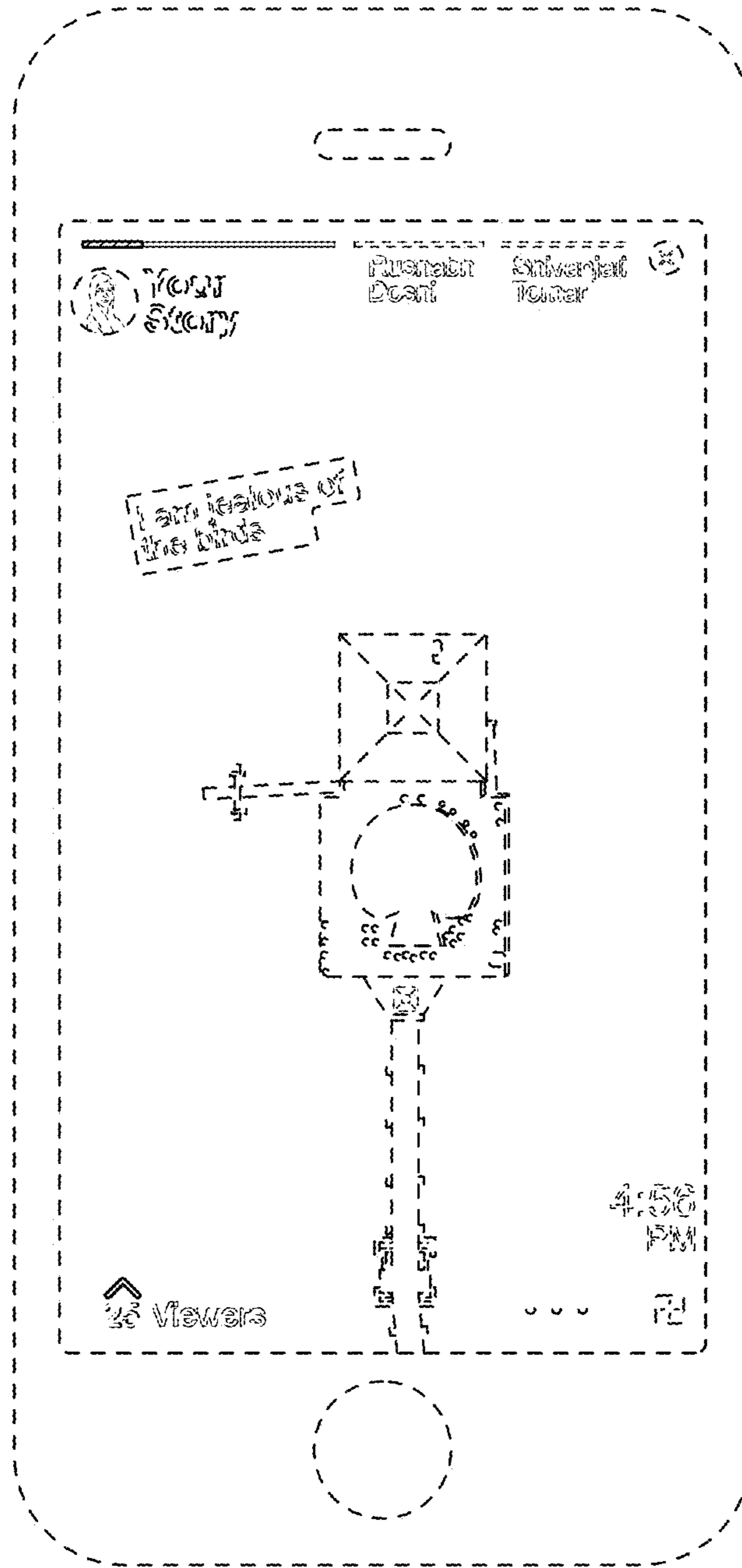


FIG. 1

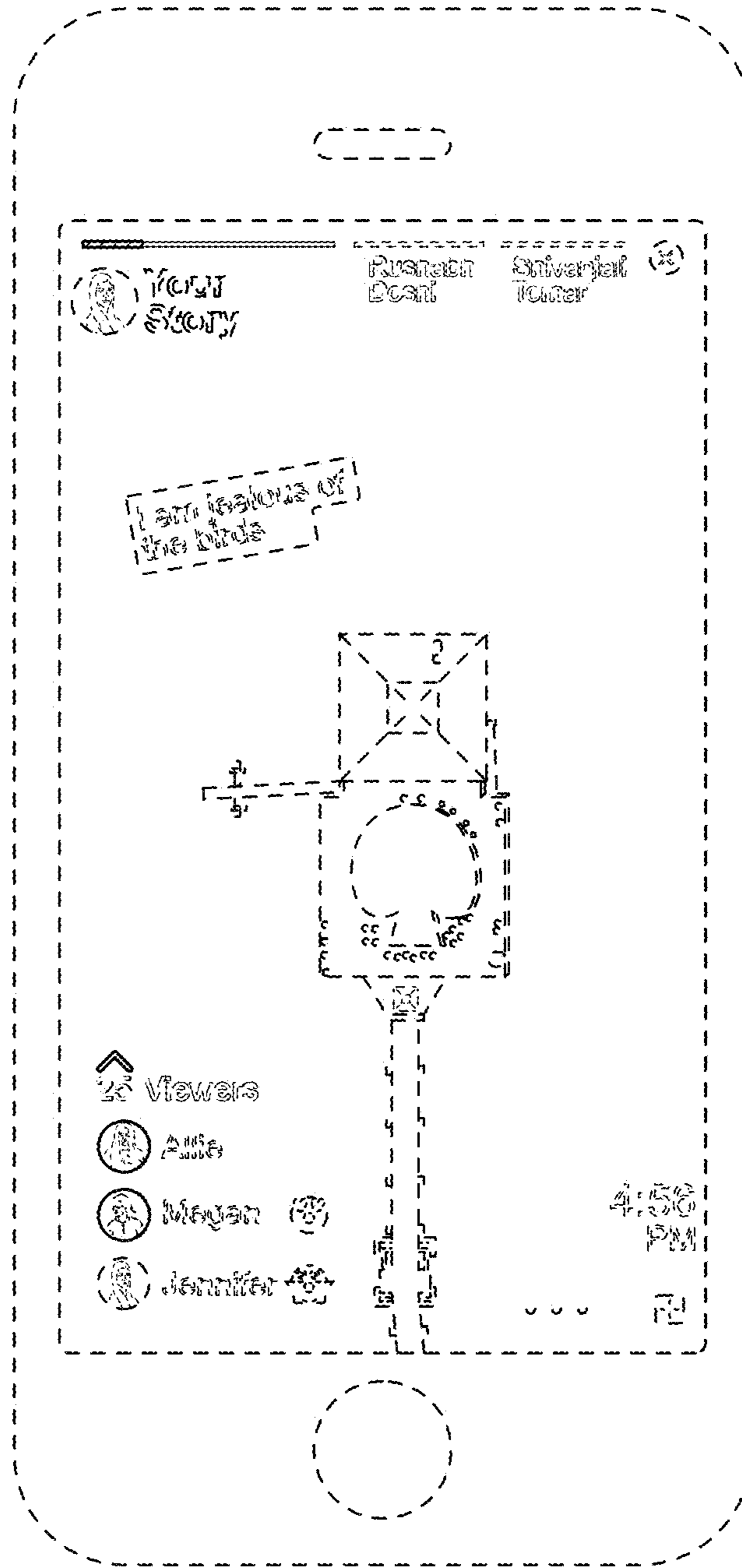


FIG. 2