



US00D926788S

(12) **United States Design Patent** (10) **Patent No.:** **US D926,788 S**  
**Ryu** (45) **Date of Patent:** **\*\* Aug. 3, 2021**

(54) **DISPLAY SCREEN WITH GRAPHICAL USER INTERFACE FOR MACHINE TOOL**

H04N 21/00; H04N 21/234; H04N 21/431; H04N 21/4312; H04N 21/4314; H04N 21/4316

(71) Applicant: **DOOSAN MACHINE TOOLS CO., LTD.**, Chang-Won-si (KR)

See application file for complete search history.

(72) Inventor: **Sanghyun Ryu**, Changwon-si (KR)

(56) **References Cited**

(73) Assignee: **DOOSAN MACHINE TOOLS CO., LTD.**, Chang-Won-si (KR)

U.S. PATENT DOCUMENTS

(\*\*) Term: **15 Years**

(21) Appl. No.: **29/712,979**

D563,423	S	*	3/2008	Suzuki	.....	D14/486
D614,192	S	*	4/2010	Takano	.....	D14/486
D683,355	S	*	5/2013	Ridl	.....	D14/486
D709,078	S	*	7/2014	Jonsson	.....	D14/485
D738,896	S	*	9/2015	Kanenari	.....	D14/486
D774,046	S	*	12/2016	Konishi	.....	D14/485
D781,313	S	*	3/2017	Tollstedt	.....	D14/486
D790,572	S	*	6/2017	Subramanian	.....	D14/486
D809,541	S	*	2/2018	Makowski	.....	D14/486
D812,630	S	*	3/2018	Yuguchi	.....	D14/486
D844,634	S	*	4/2019	Roberts	.....	D14/485
D849,778	S	*	5/2019	Sellers	.....	D14/486
D857,707	S	*	8/2019	Kennedy	.....	G09B 5/02 D14/485
D881,936	S	*	4/2020	Meixner	.....	D14/488
D907,655	S	*	1/2021	Adachi	.....	D14/486
D908,722	S	*	1/2021	Araki	.....	D14/486

(22) Filed: **Nov. 13, 2019**

(30) **Foreign Application Priority Data**

May 14, 2019 (KR) ..... 30-2019-0022573

(51) **LOC (13) Cl.** ..... **14-04**

(52) **U.S. Cl.**  
USPC ..... **D14/485**

(58) **Field of Classification Search**  
USPC ..... D14/485-495  
CPC .... G06F 3/048; G06F 3/0481; G06F 3/04812; G06F 3/04817; G06F 3/0482; G06F 3/0483; G06F 3/0484; G06F 3/04847; G06F 3/0485; G06F 3/04855; G06F 3/04886; G06Q 30/00; H03J 1/00; H03J 1/0008; H03J 1/0016; H03J 1/0025; H04N 5/00; H04N 5/08; H04N 5/14; H04N 5/222; H04N 5/225; H04N 5/232; H04N 5/445; H04N 5/44543; H04N 5/45; H04N 2005/44517; H04N 2005/44521; H04N 2005/44526; H04N 2005/4453; H04N 2005/44534; H04N 2005/44539; H04N 2005/44547; H04N 2005/44556; H04N 2005/4456; H04N 2005/44565; H04N 2005/44569; H04N 2005/44573;

(Continued)

*Primary Examiner* — Christian P. McLean  
(74) *Attorney, Agent, or Firm* — STIP Law Group, LLC

(57) **CLAIM**

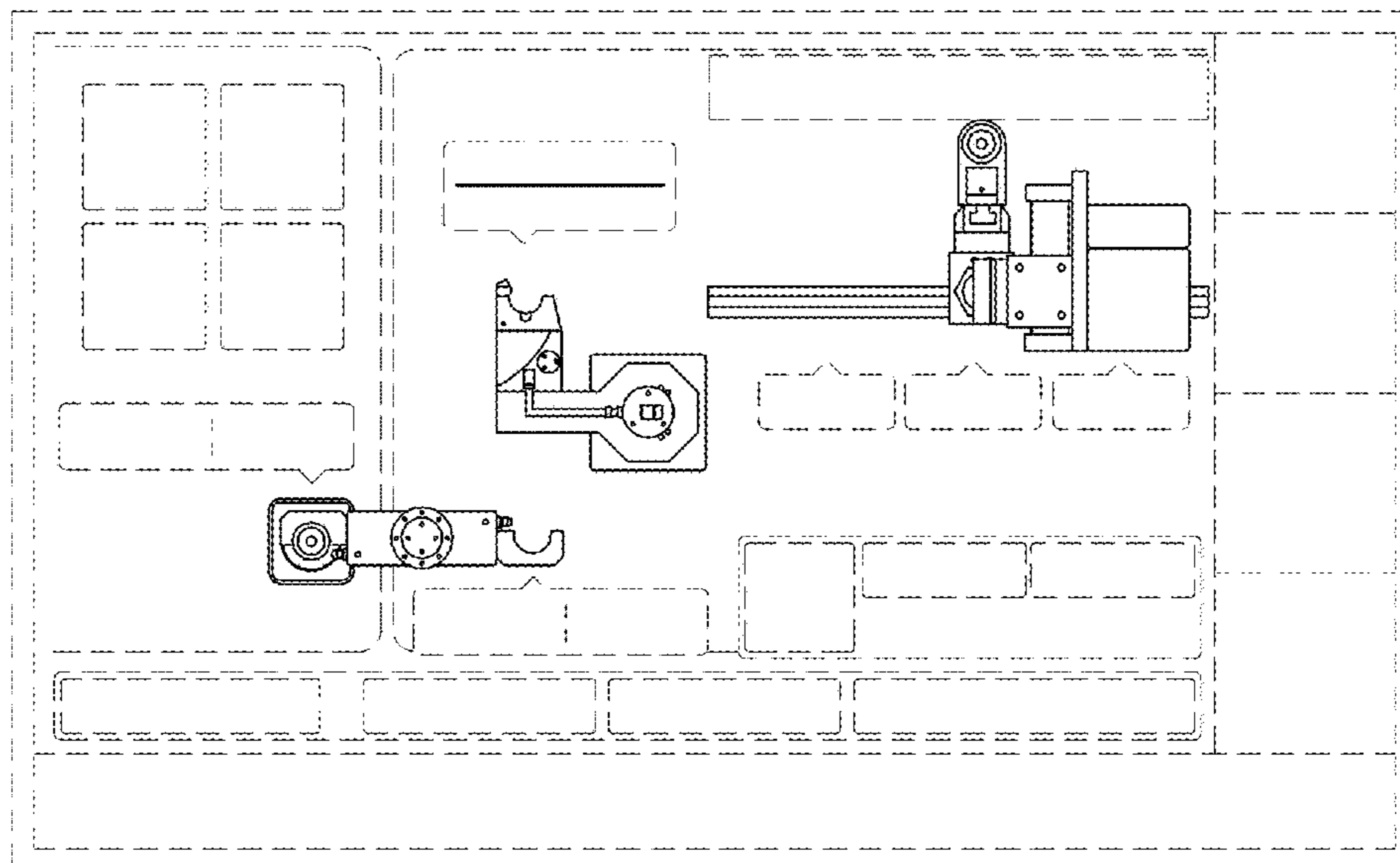
The ornamental design for a display screen with graphical user interface for machine tool, as shown and described.

**DESCRIPTION**

The FIGURE is a front view of the display screen with graphical user interface for machine tool showing the present design.

The outermost broken line rectangle illustrates a display screen and forms no part of the claimed design. The remaining broken lines show portions of the graphical user interface for machine tool that form no part of the claimed design.

**1 Claim, 1 Drawing Sheet**



(56)

**References Cited**

U.S. PATENT DOCUMENTS

D916,833 S \* 4/2021 Kennedy ..... G09B 5/02  
D14/486  
D921,664 S \* 6/2021 Chou ..... D14/486  
2017/0255192 A1\* 9/2017 Thwaites ..... E21B 34/16

\* cited by examiner

