



US00D926774S

(12) **United States Design Patent**
Kanter

(10) **Patent No.:** **US D926,774 S**

(45) **Date of Patent:** **** *Aug. 3, 2021**

- (54) **COMPUTER MONITOR STAND**
- (71) Applicant: **HUMANCENTRIC VENTURES LLC, Skokie, IL (US)**
- (72) Inventor: **Simcha Kanter, Skokie, IL (US)**
- (73) Assignee: **Humancentric Ventures LLC, Sokie, IL (US)**
- (*) Notice: This patent is subject to a terminal disclaimer.
- (**) Term: **15 Years**
- (21) Appl. No.: **29/706,990**
- (22) Filed: **Sep. 25, 2019**
- (51) **LOC (13) Cl.** **08-07**
- (52) **U.S. Cl.**
USPC **D14/447**
- (58) **Field of Classification Search**
USPC D14/447, 432, 434, 439, 440, 451, 452, D14/457, 239, 253; D8/363, 373, 380; D6/406.3, 406.4, 406.5, 406.6; D12/415
CPC A47B 21/04; A47B 2097/006; A47B 2097/005; A47B 2023/049; A45C 2011/002; A45C 2011/003; F16M 2200/00; F16M 13/00
See application file for complete search history.

- D692,440 S * 10/2013 Tsai D14/447
- D701,215 S * 3/2014 King D14/447
- D789,184 S * 6/2017 Stanley D8/363
- D789,703 S * 6/2017 Qiao A47C 7/70
D6/406.3
- D800,136 S * 10/2017 Chen D14/451
- D823,310 S * 7/2018 Plassard D14/447
- D852,804 S * 7/2019 Turksu D14/451
- D895,631 S * 9/2020 Kanter D14/451

OTHER PUBLICATIONS

Groovemade walnut computer stand (2014) archived at <https://web.archive.org/web/20140628234325/http://grovemade.com/product/walnut-monitor-stand/?initial=64>.

* cited by examiner

Primary Examiner — Angela J Lee

(57) **CLAIM**

The ornamental design for a computer monitor stand, as shown and described.

DESCRIPTION

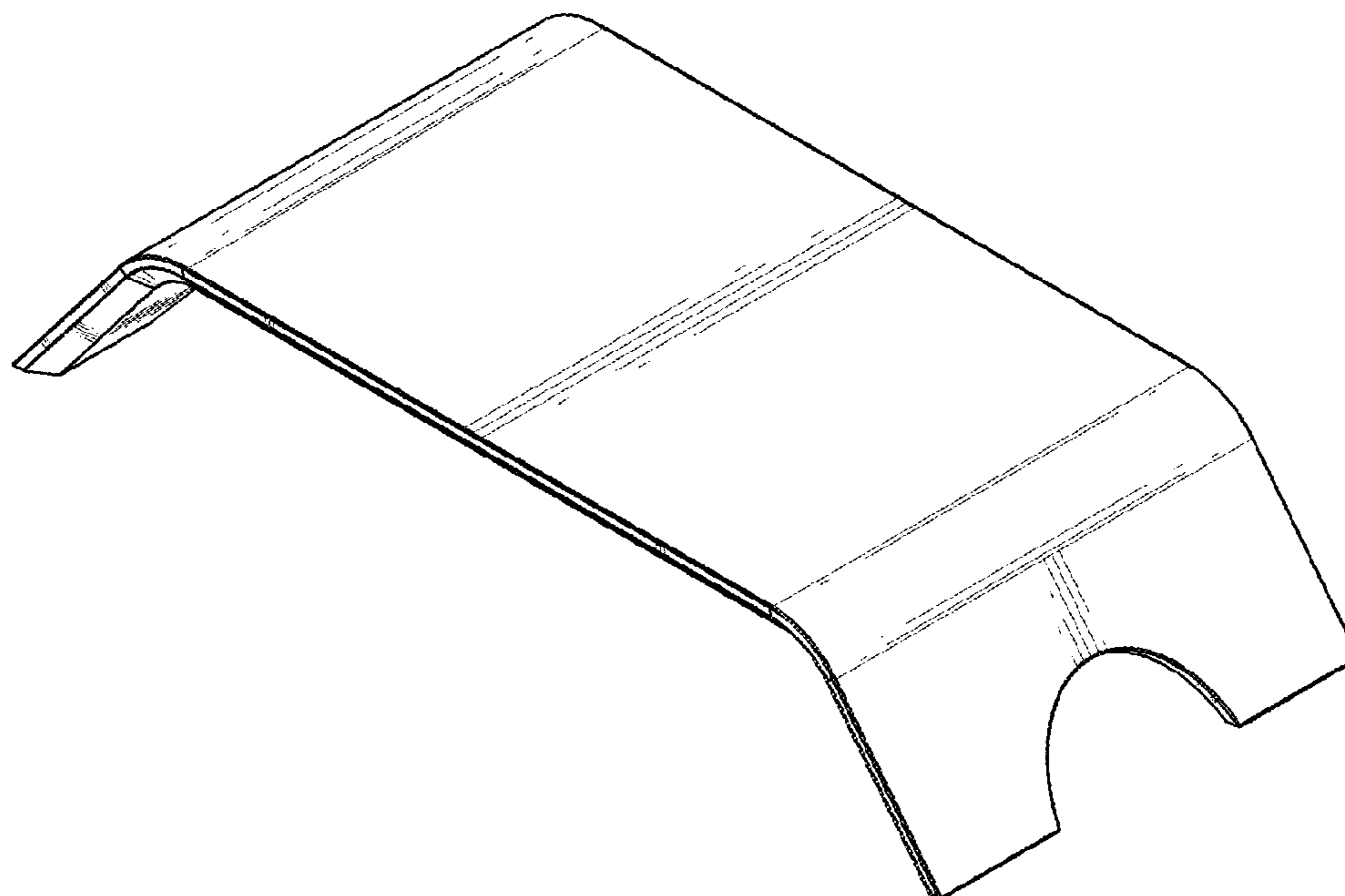
FIG. 1 shows a top perspective view of the computer monitor stand.
 FIG. 2 is a bottom perspective view of the computer monitor stand.
 FIG. 3 is a top view of the computer monitor stand.
 FIG. 4 is a bottom view of the computer monitor stand.
 FIG. 5 is a front view of the computer monitor stand.
 FIG. 6 is a back view of the computer monitor stand.
 FIG. 7 is a view of the left side of the computer monitor stand; and,
 FIG. 8 is a view of the right side of the computer monitor stand.

1 Claim, 8 Drawing Sheets

(56) **References Cited**

U.S. PATENT DOCUMENTS

- D524,319 S * 7/2006 Zamanian D14/447
- D557,266 S * 12/2007 Hughes D14/451
- D620,942 S * 8/2010 Huang D14/447
- D622,274 S * 8/2010 Green D14/447
- D682,282 S * 5/2013 Steinfeld D14/447



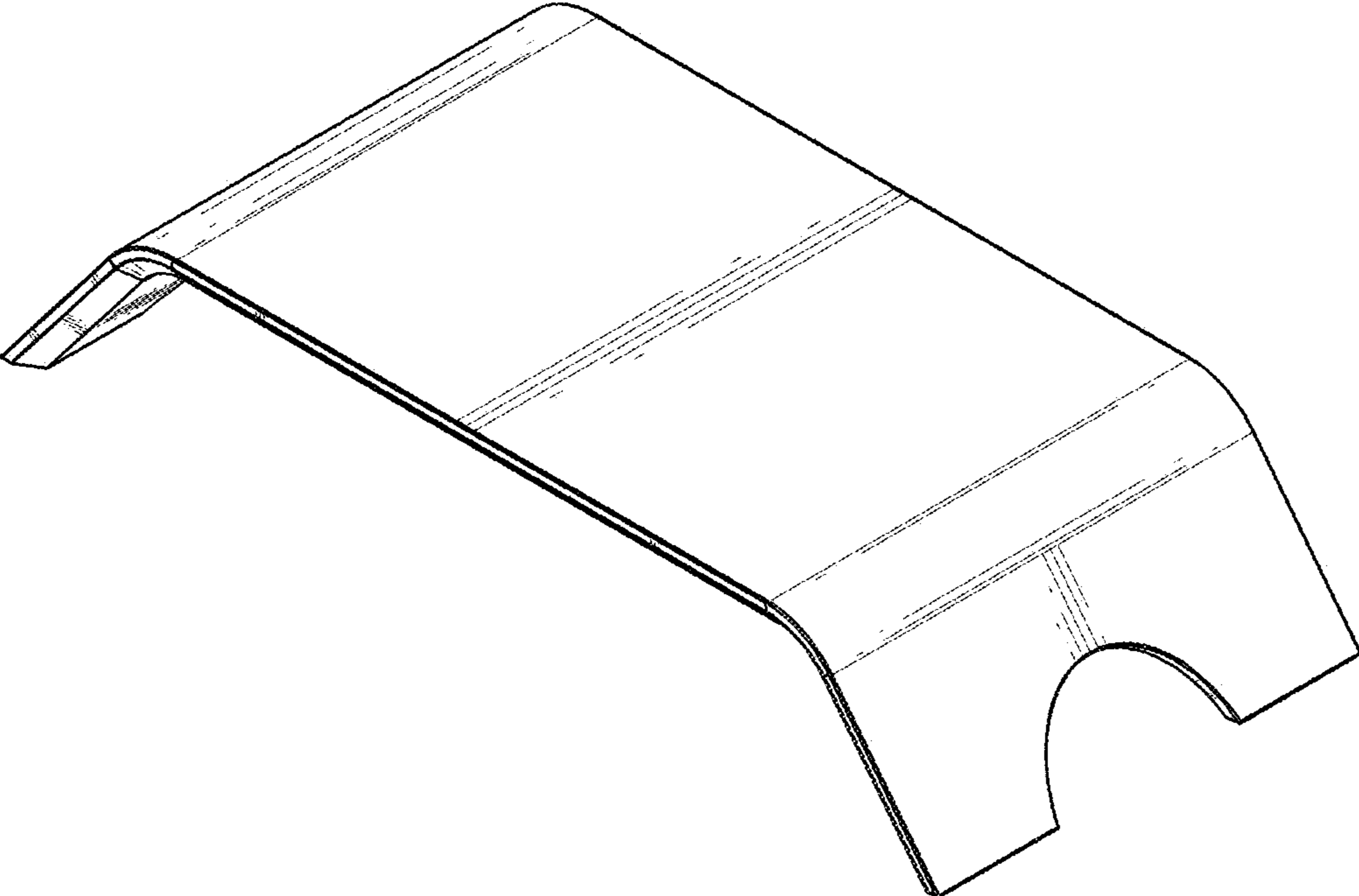


FIG. 1

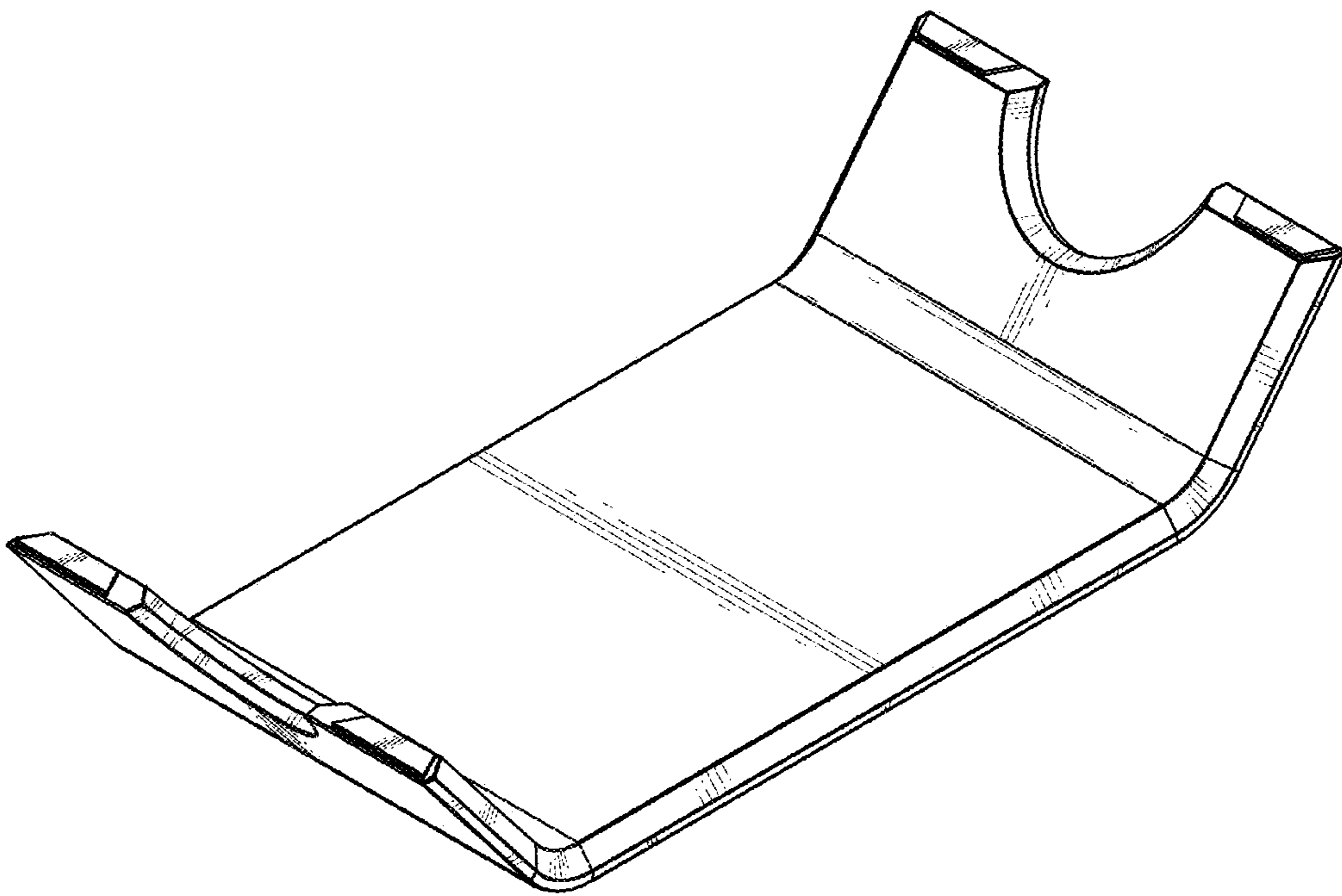


FIG. 2

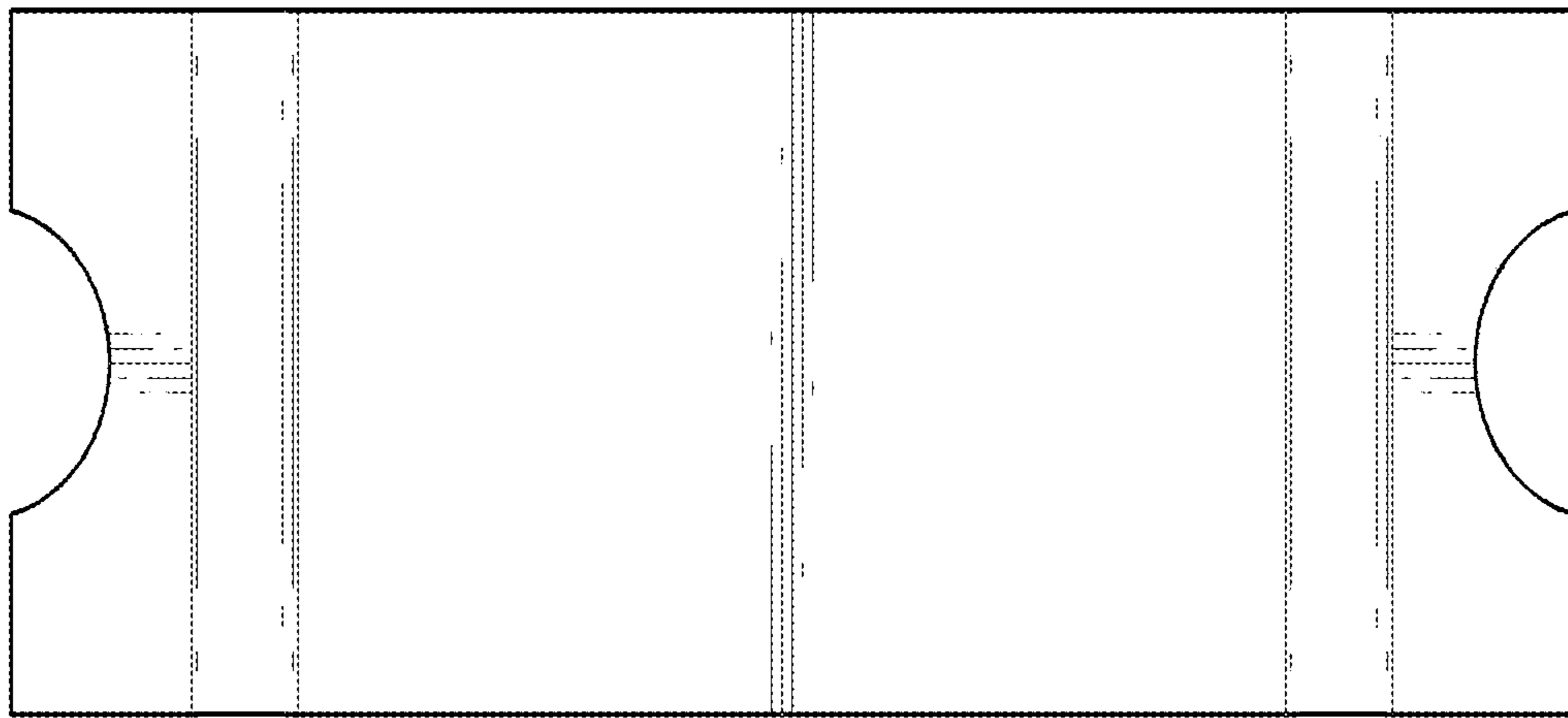


FIG. 3

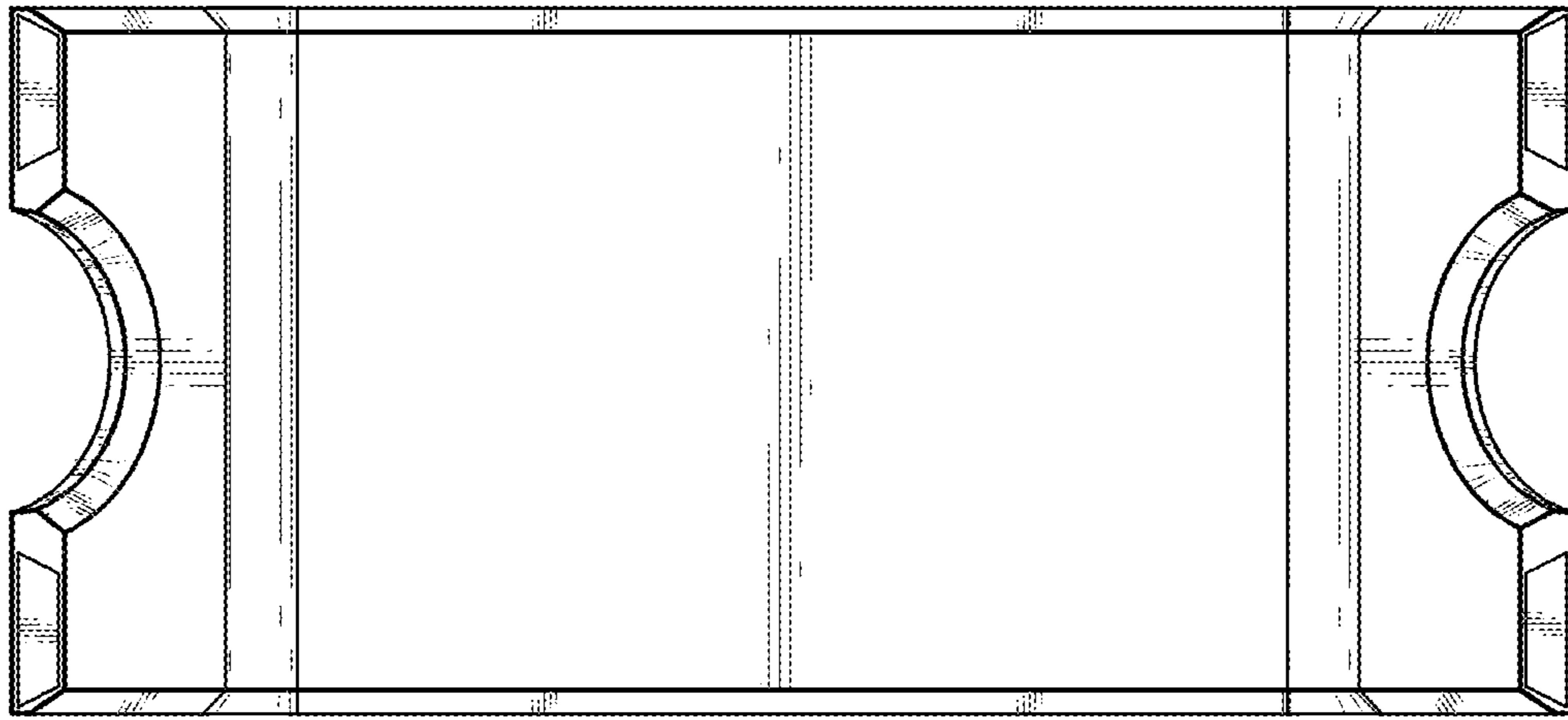


FIG. 4

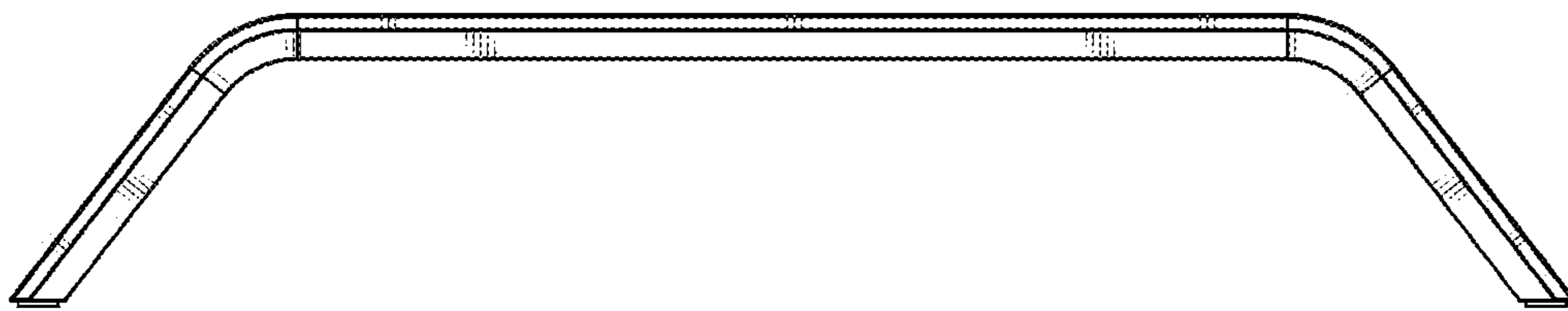


FIG. 5

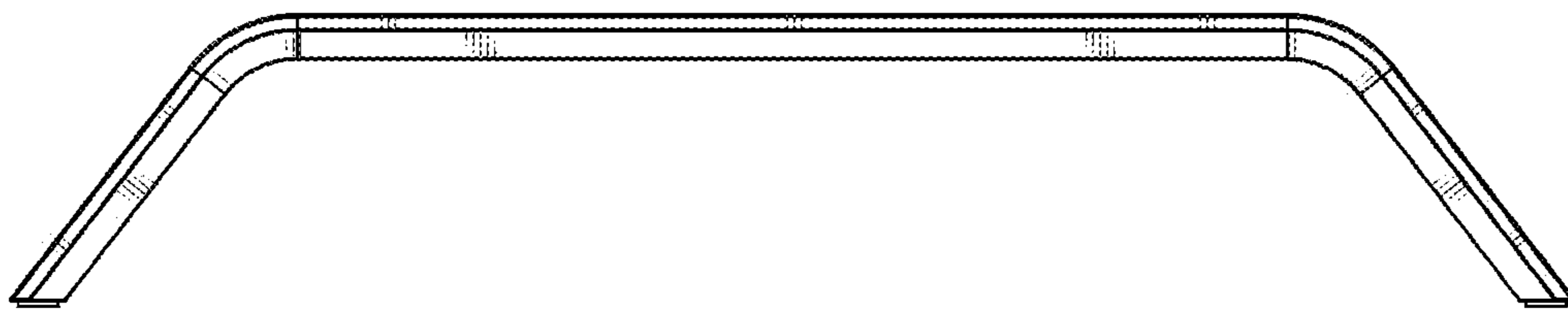


FIG. 6

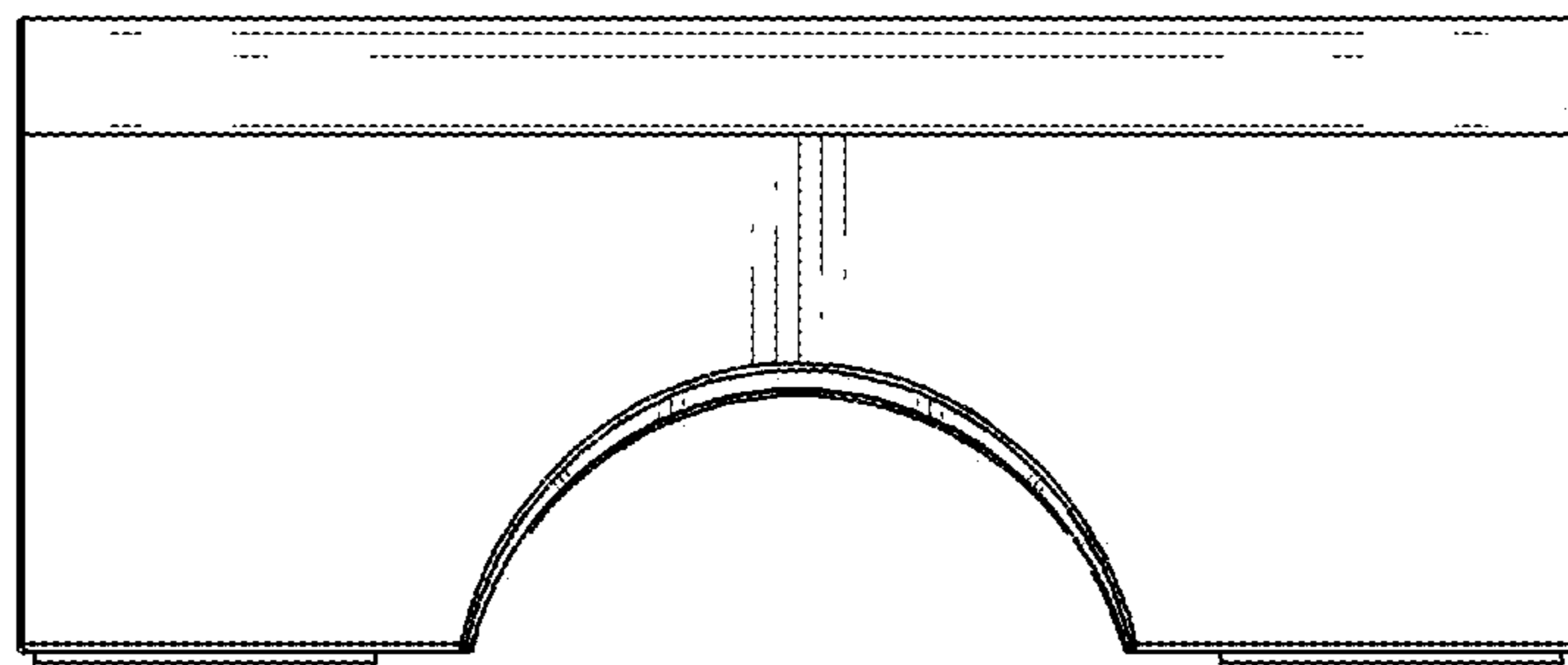


FIG. 7

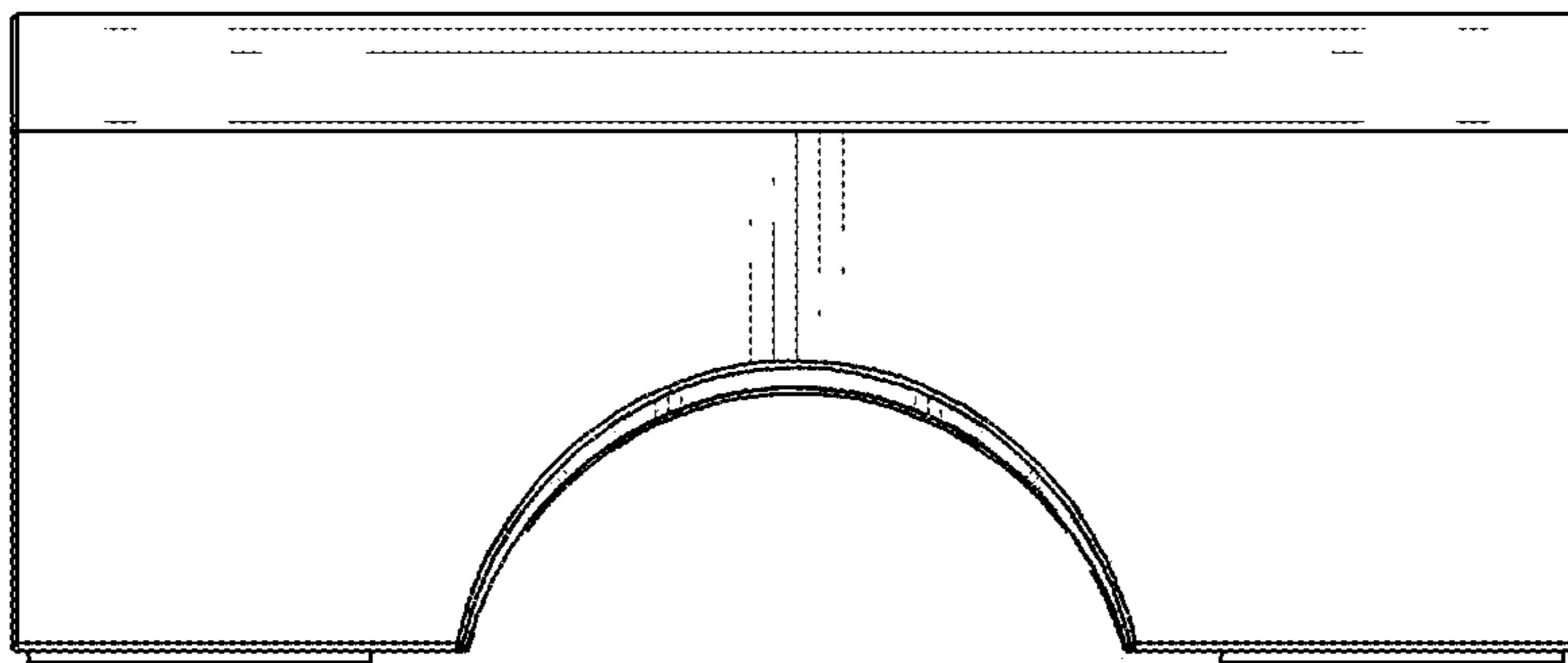


FIG. 8