



US00D926773S

(12) **United States Design Patent** (10) **Patent No.:** **US D926,773 S**
Solomon et al. (45) **Date of Patent:** **** Aug. 3, 2021**

(54) **DISPLAY POSITIONING SYSTEM**

(71) Applicant: **Tangible Play, Inc.**, Palo Alto, CA (US)

(72) Inventors: **Mark Solomon**, Palo Alto, CA (US);
Jon Karl Dukerschein, Pacifica, CA (US); **Ariel Zekelman**, Palo Alto, CA (US); **Jerome Scholler**, San Francisco, CA (US)

(73) Assignee: **Tangible Play, Inc.**, Palo Alto, CA (US)

(**) Term: **15 Years**

(21) Appl. No.: **29/705,550**

(22) Filed: **Sep. 12, 2019**

(51) **LOC (13) Cl.** **08-07**

(52) **U.S. Cl.**
USPC **D14/447**

(58) **Field of Classification Search**
USPC D14/447, 432, 434, 439, 440, 451, 452,
D14/457, 239, 253; D8/363, 373, 380;
D6/406.3, 406.4, 406.5, 406.6
CPC A47B 21/04; A47B 2097/006; A47B
2097/005; A47B 2023/049; A45C
2011/002; A45C 2011/003; F16M
2200/00; F16M 13/00

See application file for complete search history.

(56) **References Cited**

U.S. PATENT DOCUMENTS

D557,698 S * 12/2007 Lye D14/447
D666,174 S * 8/2012 Du D14/217
D667,011 S * 9/2012 Wu D14/447
D667,831 S * 9/2012 Stravitz D14/447

D672,352 S * 12/2012 Gengler D14/440
D676,853 S * 2/2013 Gengler D14/447
D699,297 S * 2/2014 Bahsoun D19/59
D755,796 S * 5/2016 Gibson D14/447
D875,104 S * 2/2020 Tivnon D14/447
D877,154 S * 3/2020 Hummel D14/447
D894,195 S * 8/2020 Chen D14/447
2010/0294909 A1 * 11/2010 Hauser B42D 9/00
248/456

* cited by examiner

Primary Examiner — Angela J Lee

(74) *Attorney, Agent, or Firm* — VLP Law Group LLP;
Michel Bohn

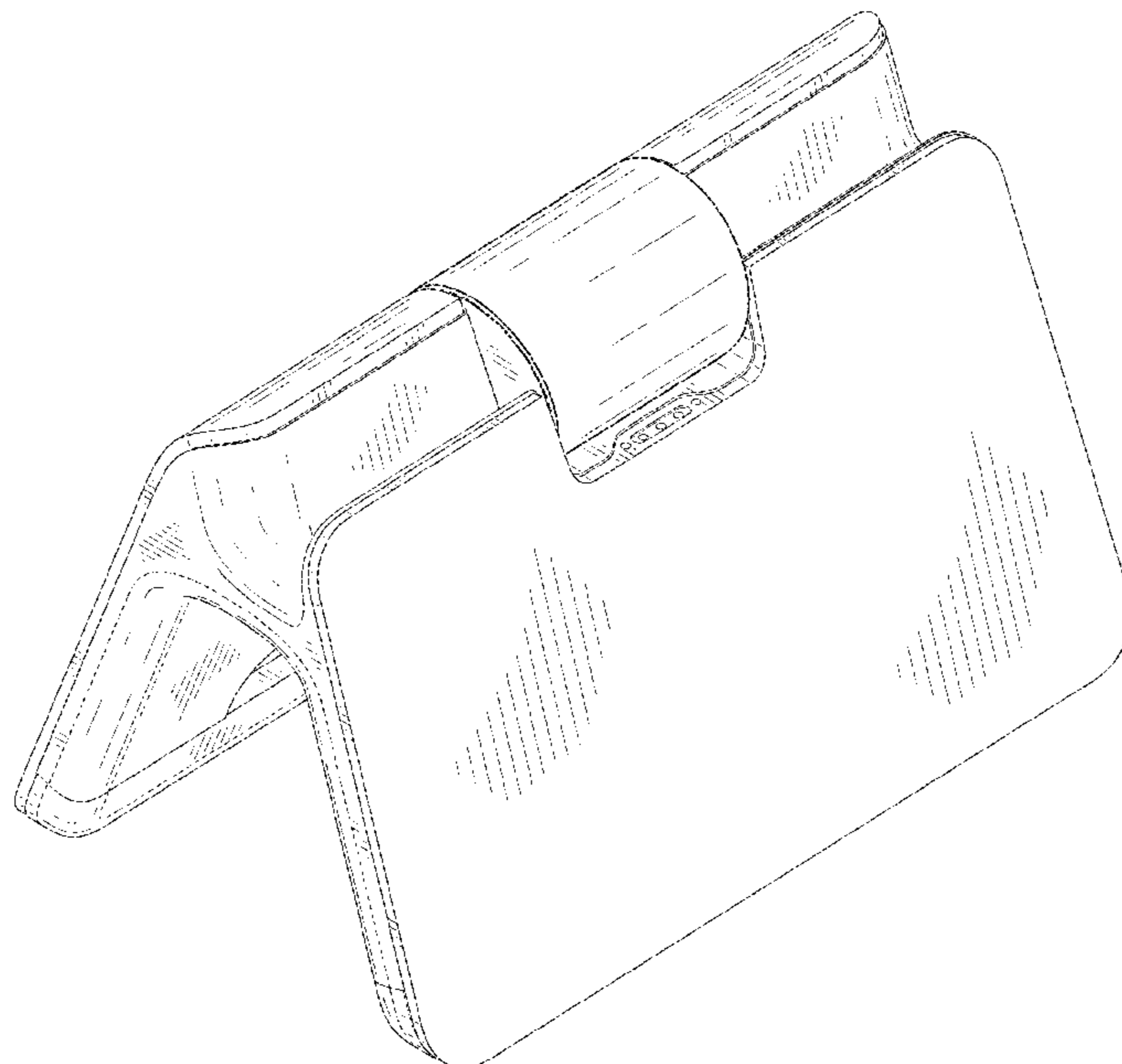
(57) **CLAIM**

The ornamental design for a display positioning device, as shown and described.

DESCRIPTION

FIG. 1 is a front, left perspective view of a display positioning system according to a first embodiment. FIG. 2 is a bottom, rear perspective view thereof. FIG. 3 is a top view thereof. FIG. 4 is a bottom view thereof. FIG. 5 is a left side view thereof (a right side view being a mirror image of the left side view). FIG. 6 is a right side view thereof depicting a first disclaimed context (a left side view being a mirror image of the right side view). FIG. 7 is a front view thereof. FIG. 8 is a rear view thereof; and, FIG. 9 is a front, right perspective view thereof depicting the first disclaimed context. Within the drawings, the broken lines show unclaimed portions of the display positioning device, and form no part of the claimed design.

1 Claim, 9 Drawing Sheets



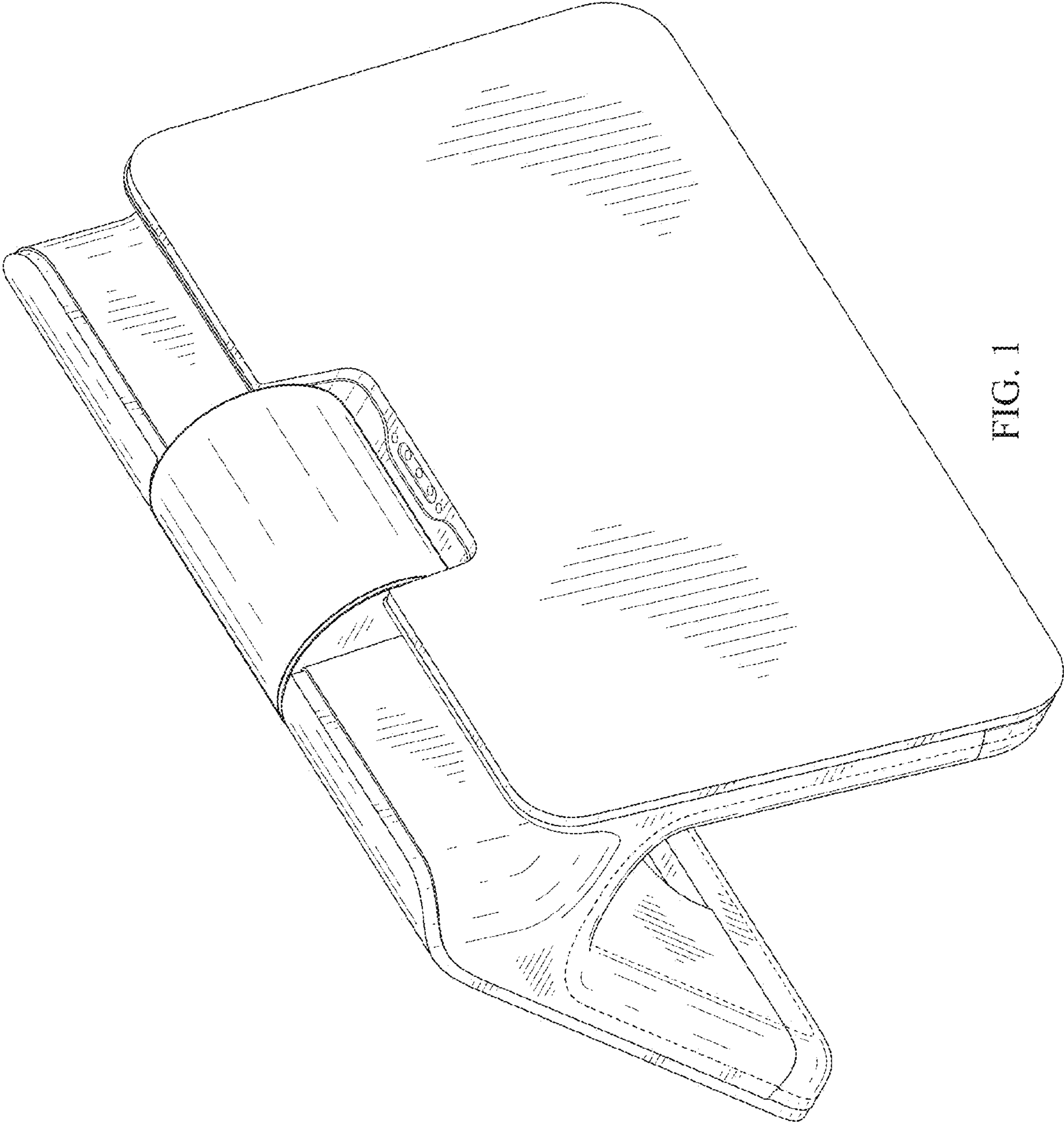


FIG. 1

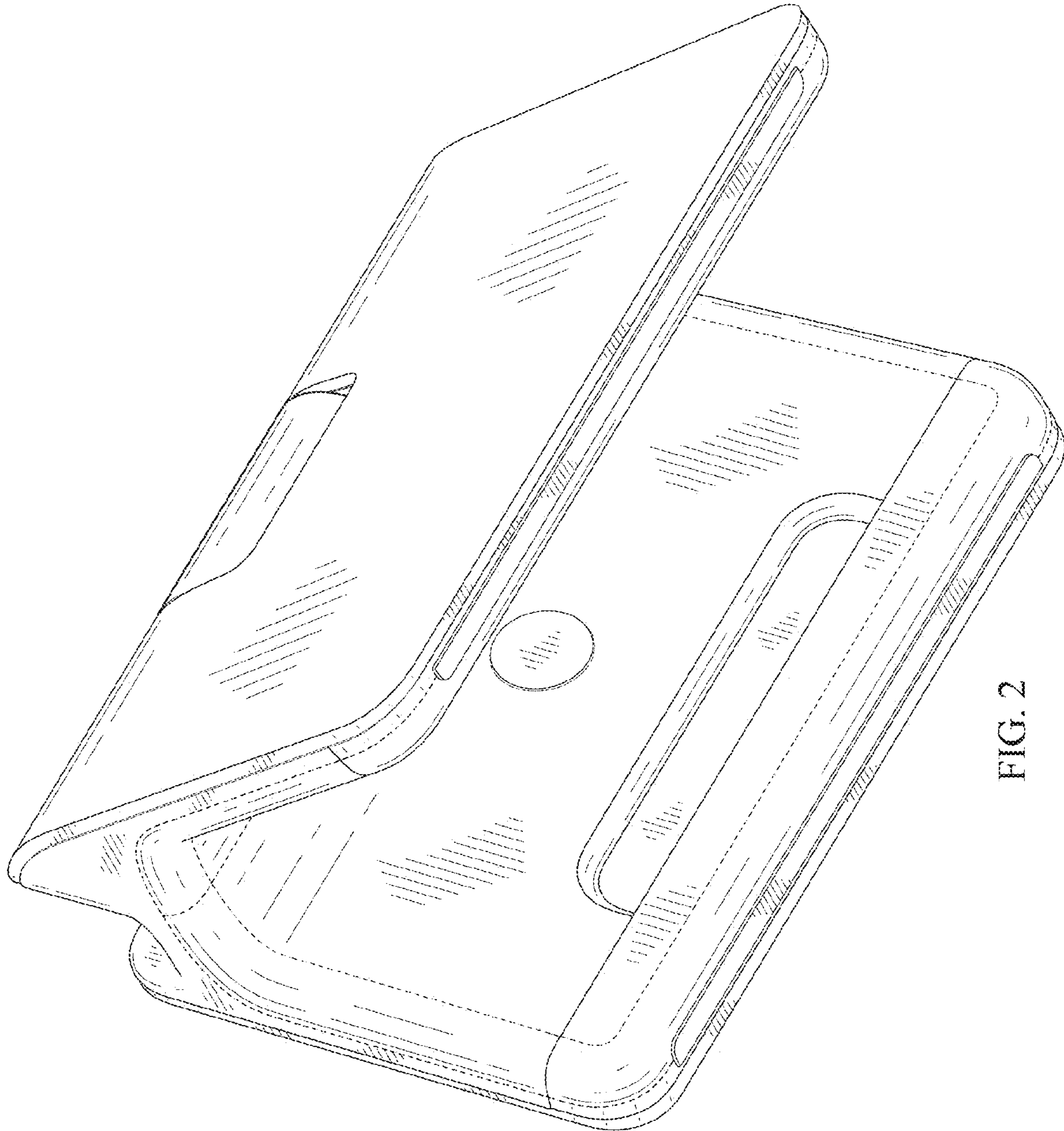


FIG. 2

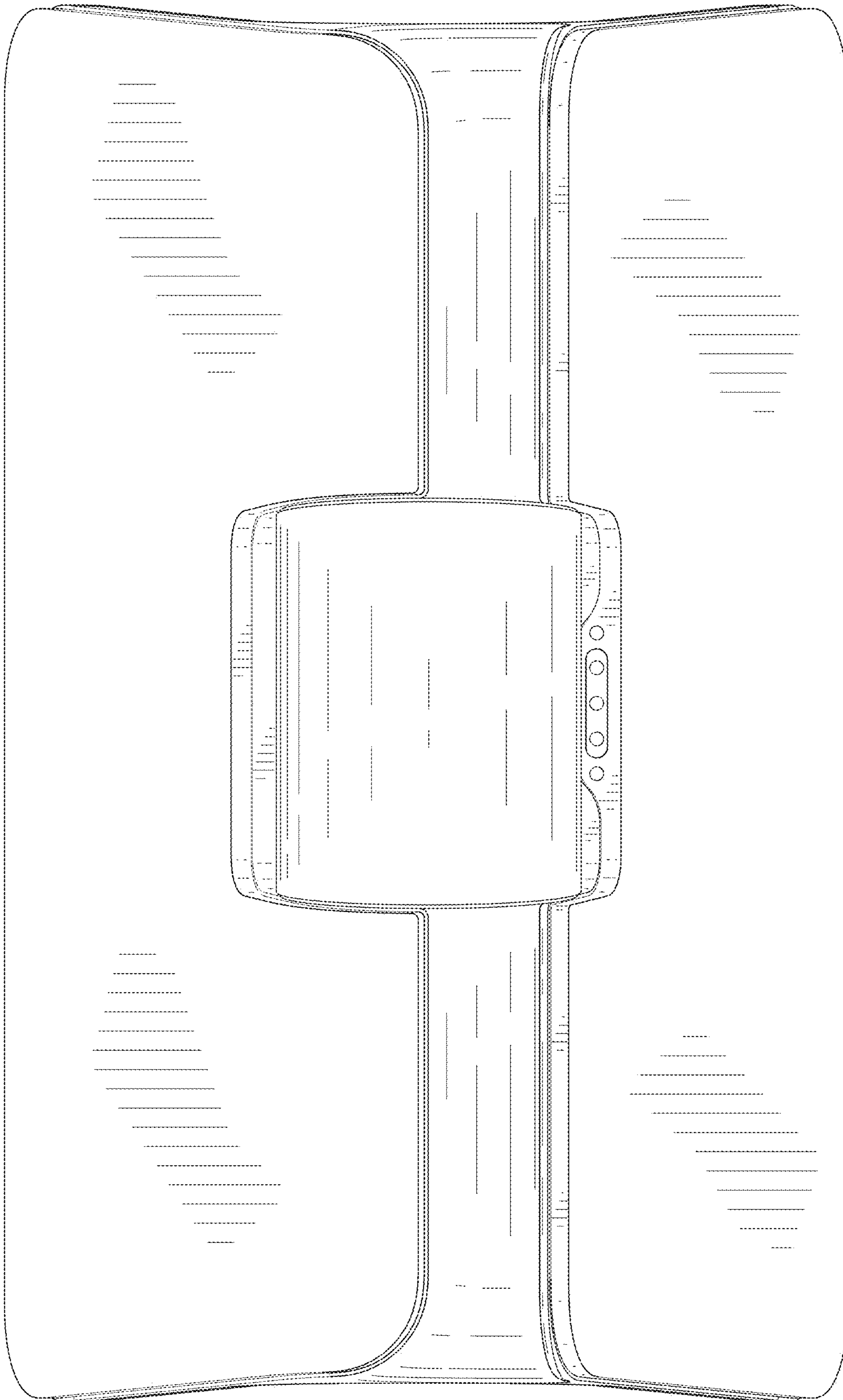


FIG. 3

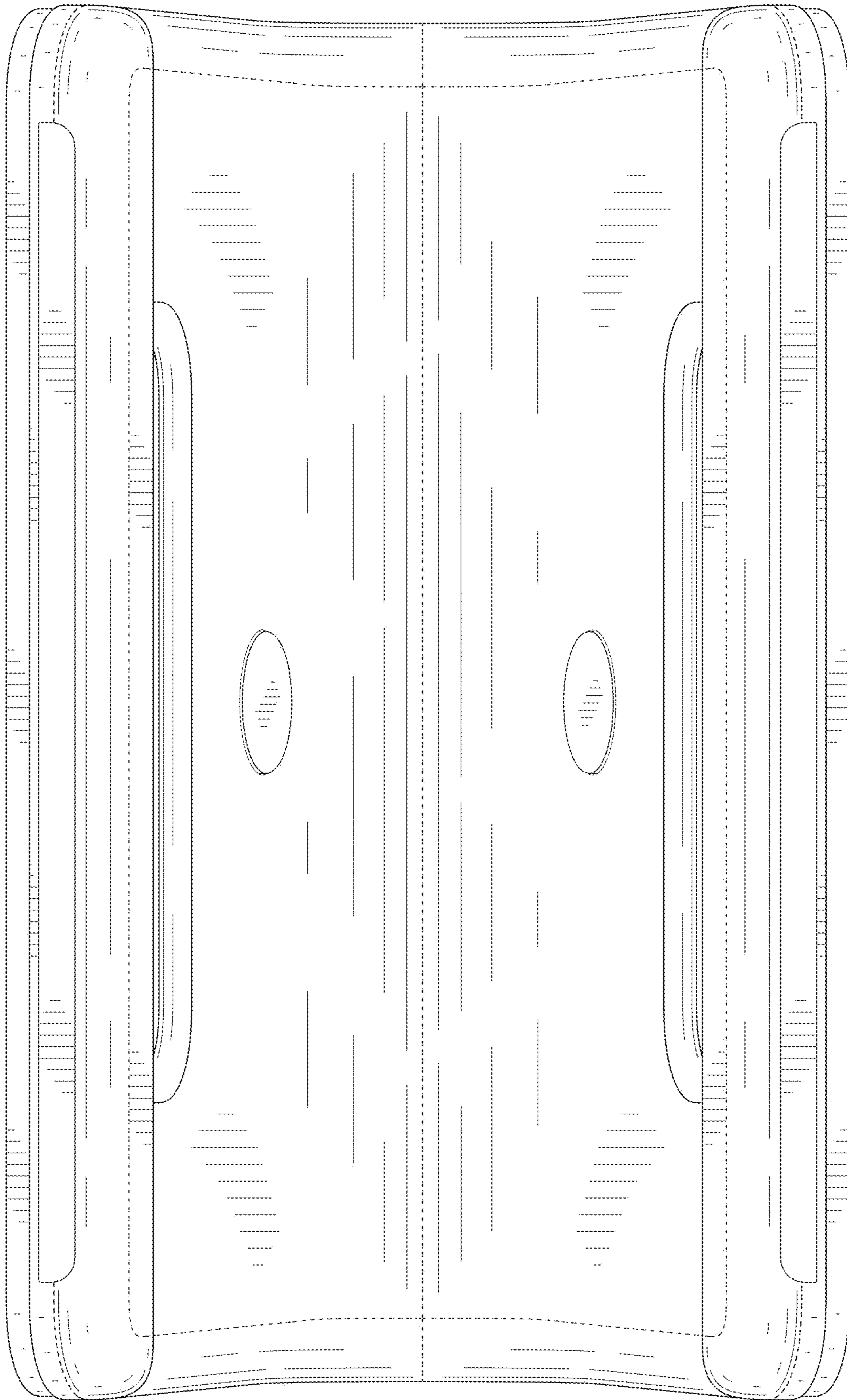


FIG. 4

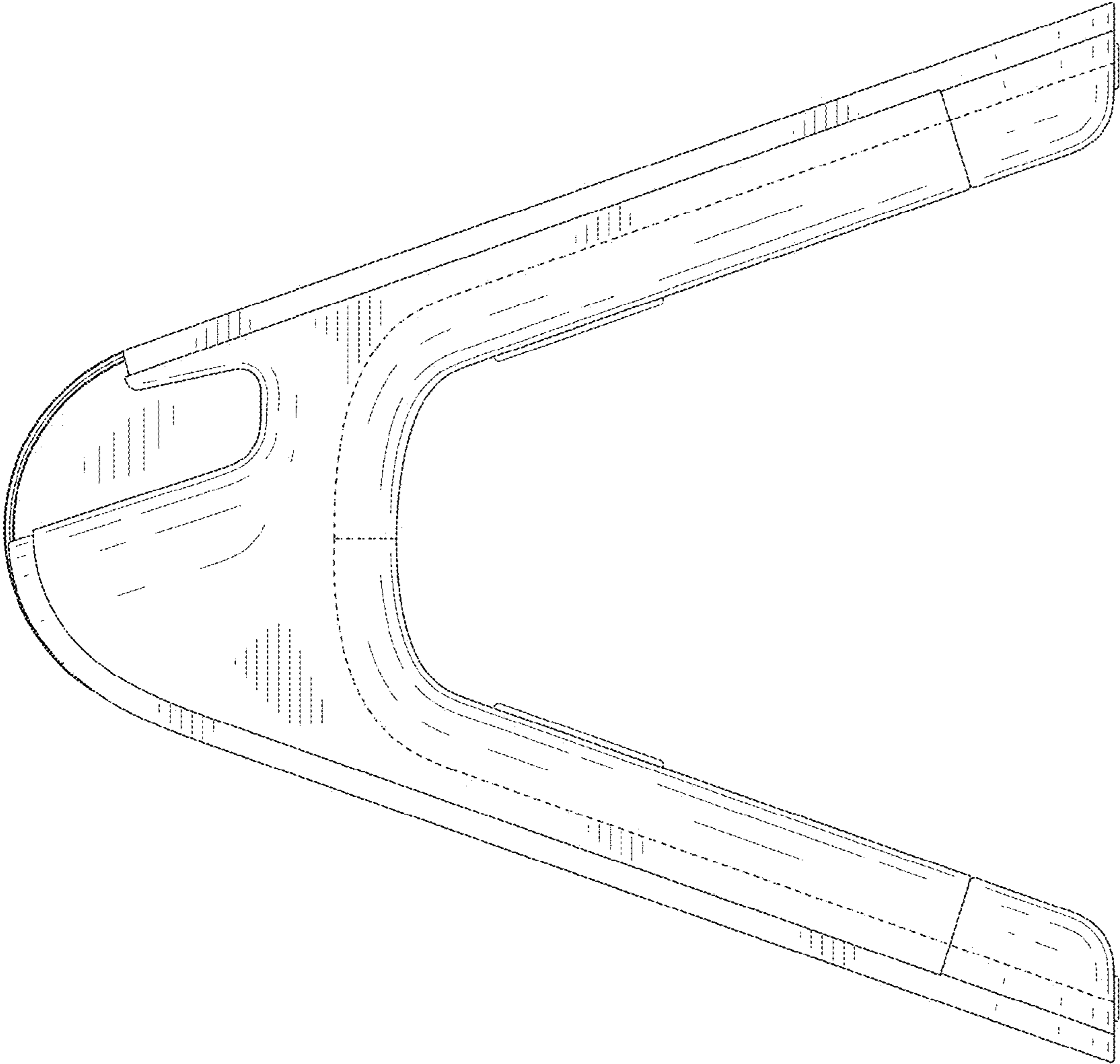


FIG. 5

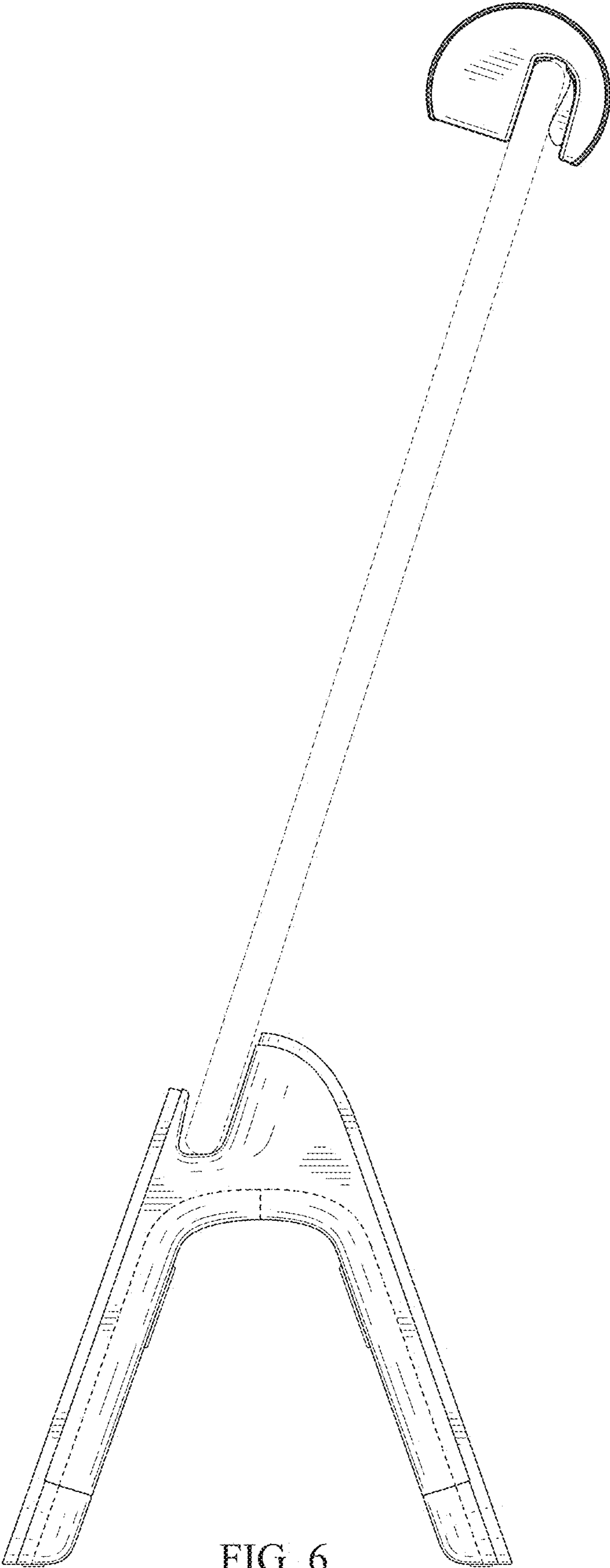


FIG. 6

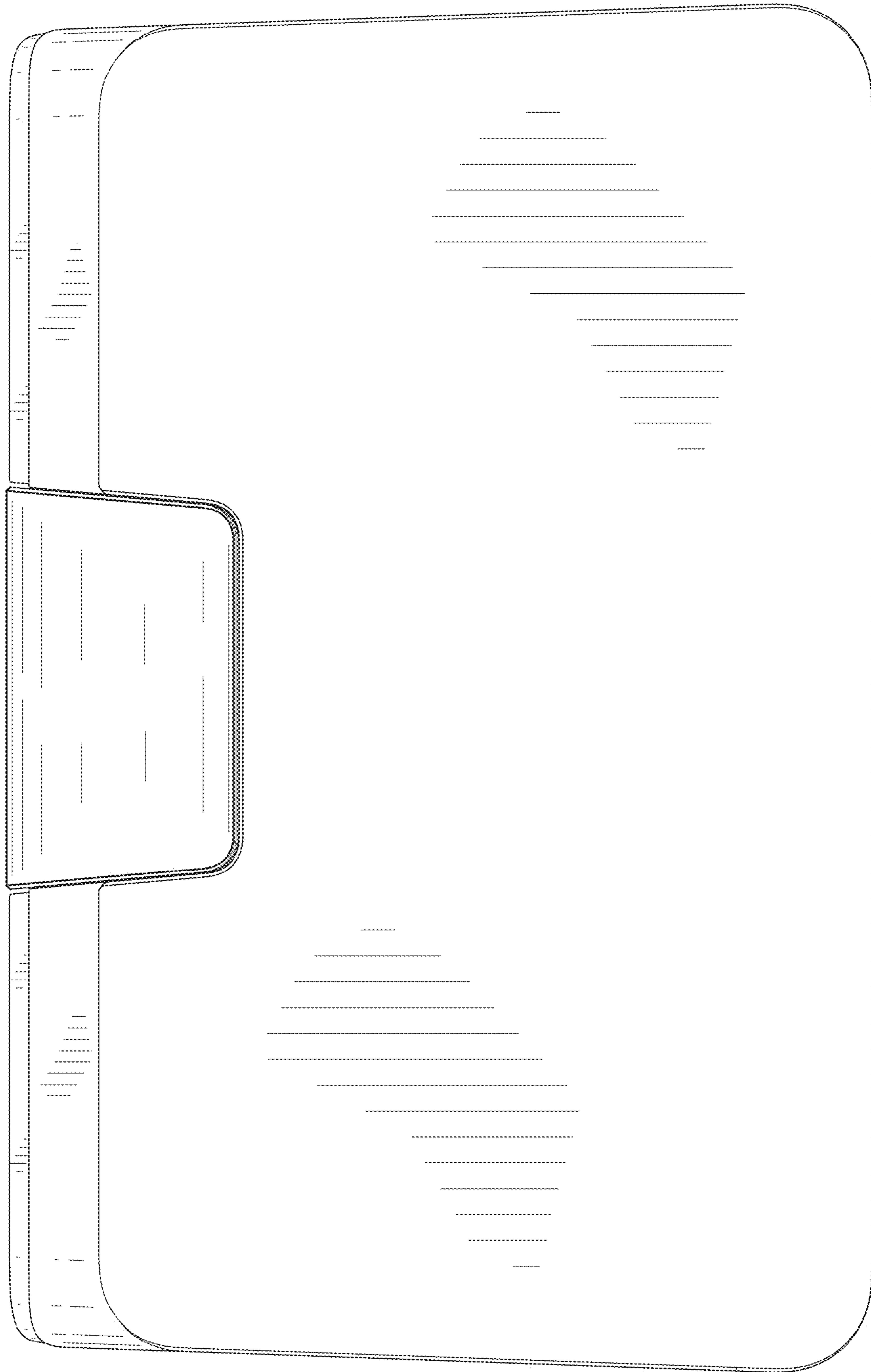


FIG. 7

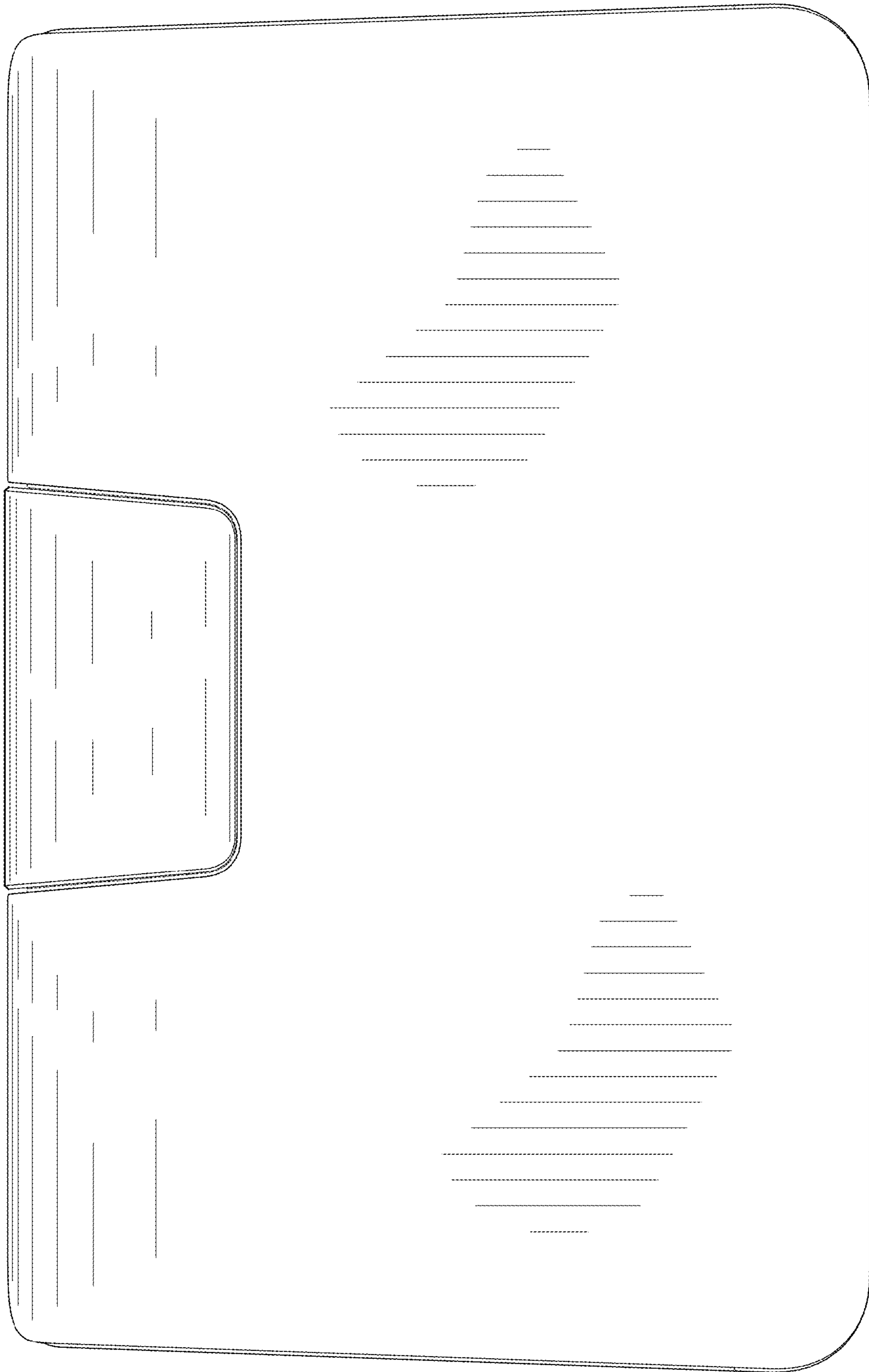


FIG. 8

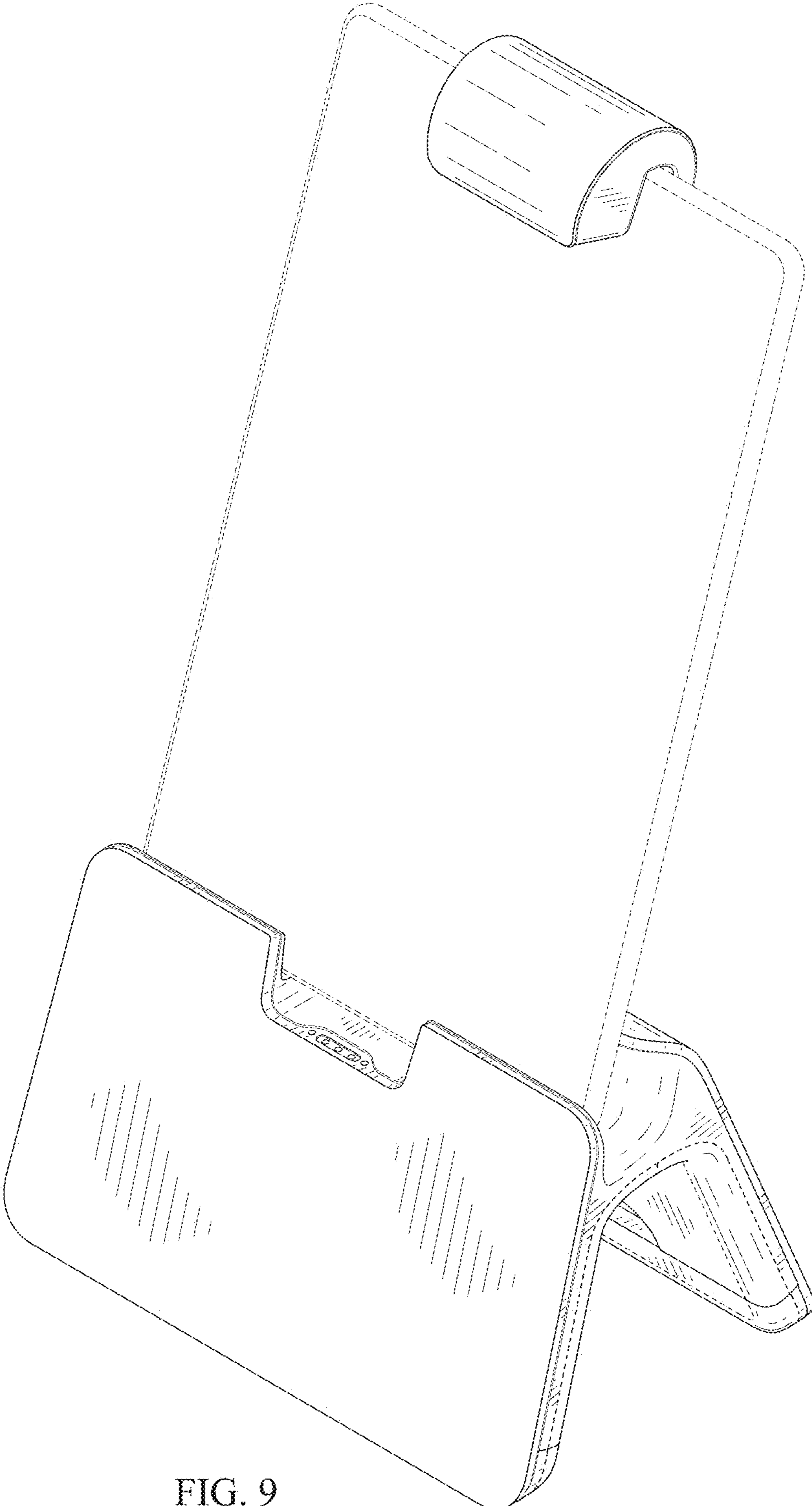


FIG. 9