



US00D926772S

(12) **United States Design Patent**  
**Burmester**

(10) **Patent No.:** **US D926,772 S**  
(45) **Date of Patent:** **\*\* Aug. 3, 2021**

(54) **SUPPORT FOR COMPUTER TERMINALS  
AND COMPUTER KEYBOARDS**

D545,825 S 7/2007 Richter  
D591,756 S \* 5/2009 Wohlford ..... D14/452  
D597,764 S \* 8/2009 Topcuoglu ..... D20/10  
8,238,086 B2 8/2012 Ou

(71) Applicant: **Ergonomic Solutions International  
Limited, Surrey (GB)**

(Continued)

(72) Inventor: **Benny Burmester, Norresundby (DK)**

**FOREIGN PATENT DOCUMENTS**

(73) Assignee: **Ergonomic Solutions International  
Limited, Surrey (GB)**

DE 19525391 A1 2/1996  
WO WO-2012023172 A1 \* 2/2012 ..... F16M 11/00

(\*\*) Term: **15 Years**

**OTHER PUBLICATIONS**

(21) Appl. No.: **29/703,950**

Iomounts. Link: <https://www.iomounts.com/products/iostand>. Visited Mar. 25, 2021. iOstand Tablet stand & holder (Year: 2020).\*

(22) Filed: **Aug. 30, 2019**

(Continued)

**Related U.S. Application Data**

(60) Continuation of application No. 29/588,810, filed on Dec. 22, 2016, now abandoned, which is a division of application No. 29/543,067, filed on Oct. 20, 2015, now Pat. No. Des. 846,554.

*Primary Examiner* — Lauren D McVey

(74) *Attorney, Agent, or Firm* — Berg Hill Greenleaf Ruscitti LLP

(51) **LOC (13) Cl.** ..... **14-02**

(52) **U.S. Cl.**  
USPC ..... **D14/447**

(58) **Field of Classification Search**  
USPC ..... D14/239, 371, 372, 373, 374, 447, 448, D14/449-452, 335-337, 125, 127, 128, D14/129, 375, 376, 377, 341, 126; D8/355, 363, 373; D6/672, 682  
CPC ..... F16M 11/2085; F16M 11/2092; F16M 11/2007; F16M 11/2014; F16M 11/2021; F16M 11/105; F16M 11/048; F16M 11/12; F16M 13/022; F16M 11/10  
See application file for complete search history.

(57) **CLAIM**

I claim the ornamental design for support for computer terminals and computer keyboards, as shown and described.

**DESCRIPTION**

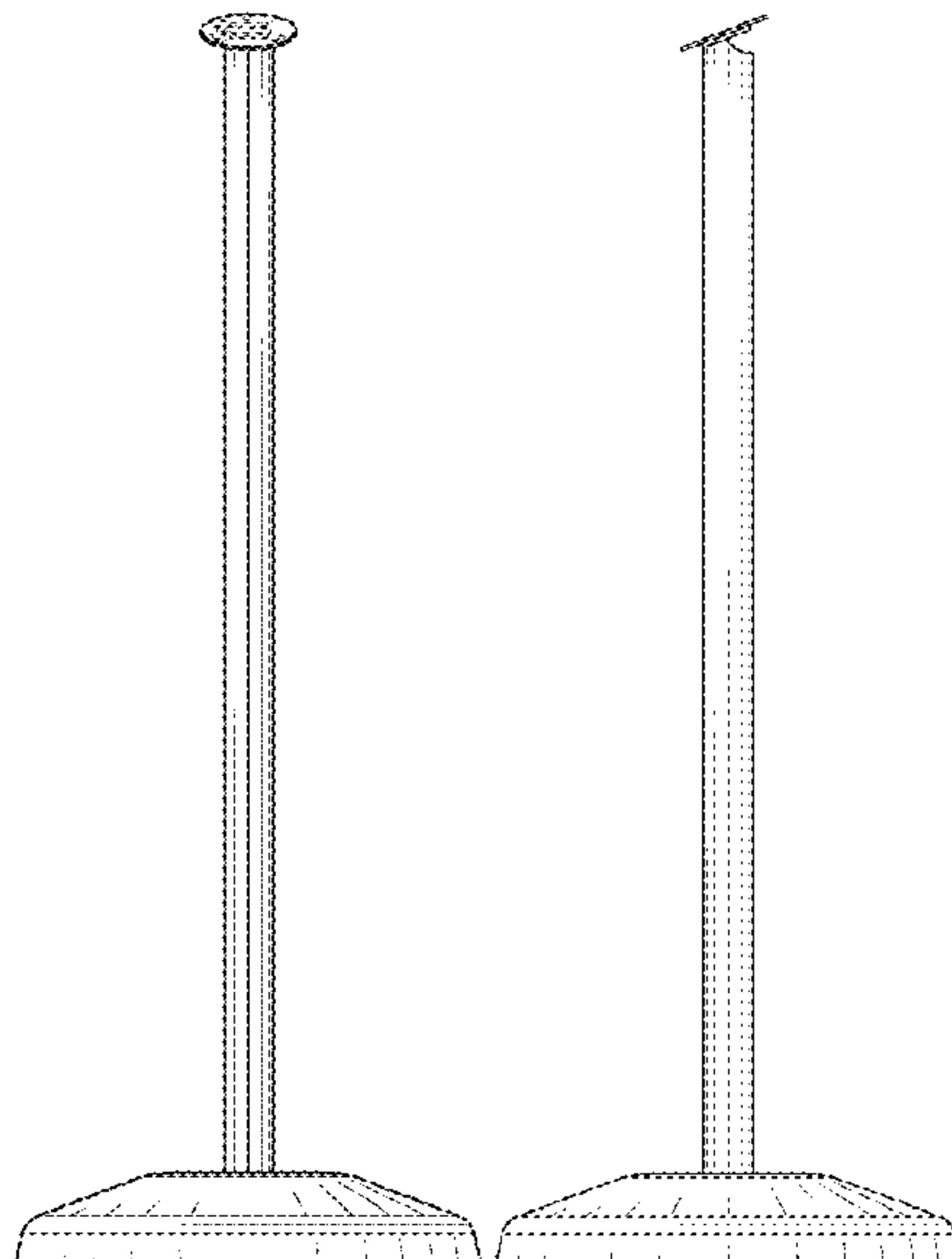
FIG. 1 is a rear elevation view of the support for computer terminals and computer keyboards showing my new design; FIG. 2 is a left side elevation view thereof; FIG. 3 is a right side elevation view thereof; FIG. 4 is a front elevation view thereof; FIG. 5 is a top plan view thereof; and, FIG. 6 is a top perspective view thereof. The outermost broken lines immediately adjacent the claim represent the bounds of the claimed design while all other broken lines are directed to environment and are for illustrative purposes only; the broken lines form no part of the claimed design.

(56) **References Cited**

**U.S. PATENT DOCUMENTS**

D67,644 S 6/1925 Brown  
6,663,060 B1 \* 12/2003 Gifford, Sr. .... F16B 7/14  
248/125.8

**1 Claim, 2 Drawing Sheets**





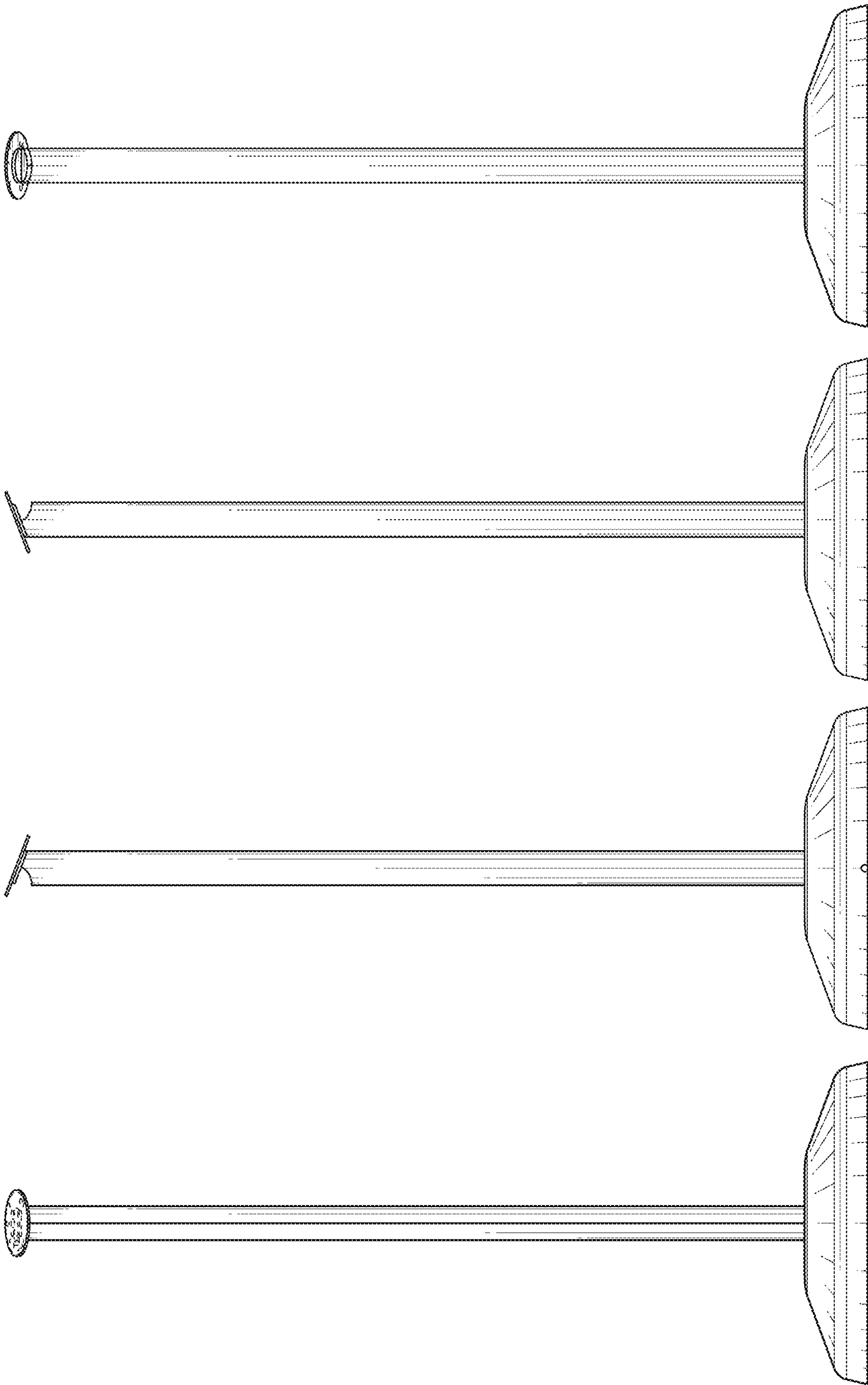


FIG. 4

FIG. 3

FIG. 2

FIG. 1

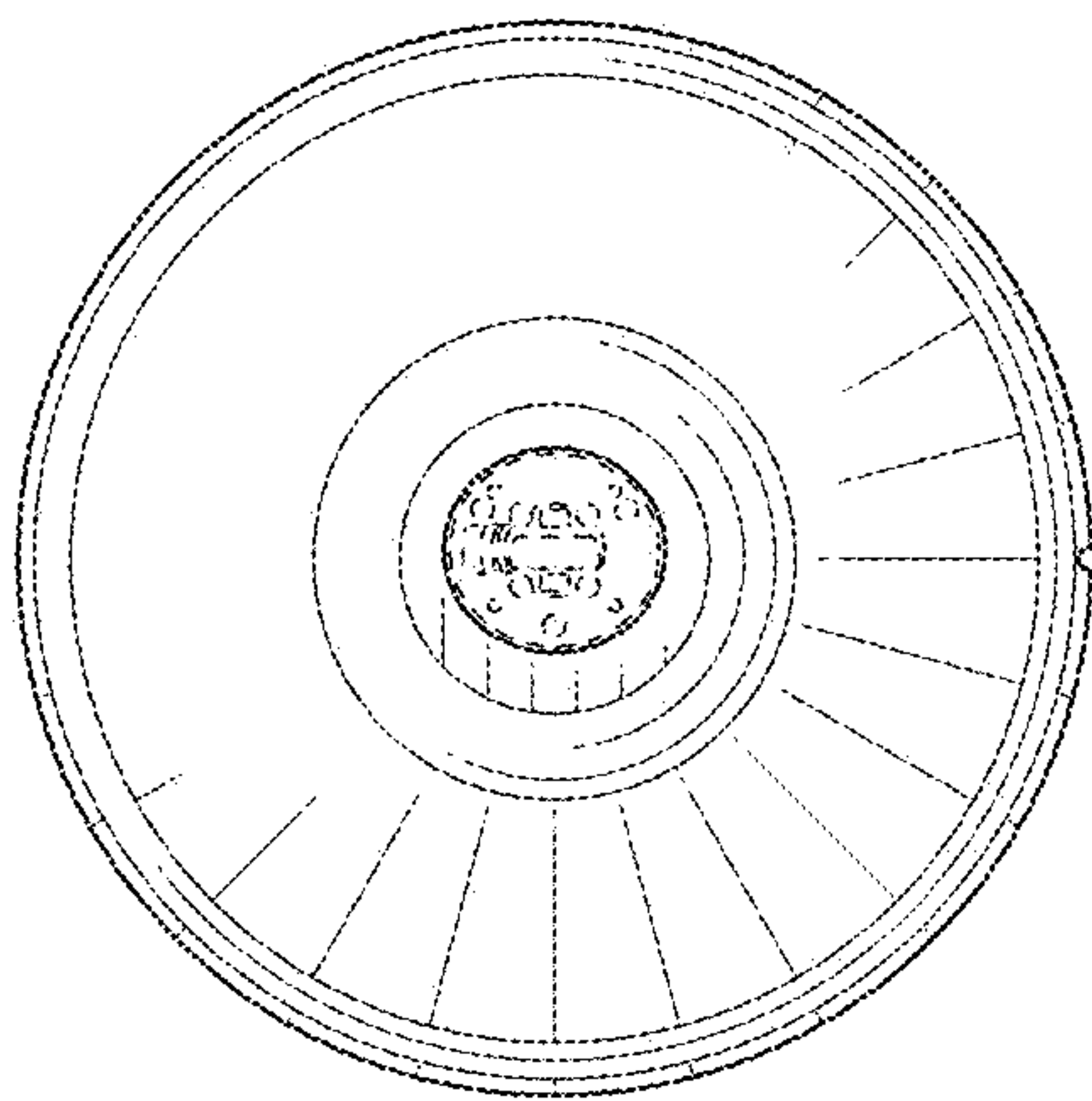


FIG. 5

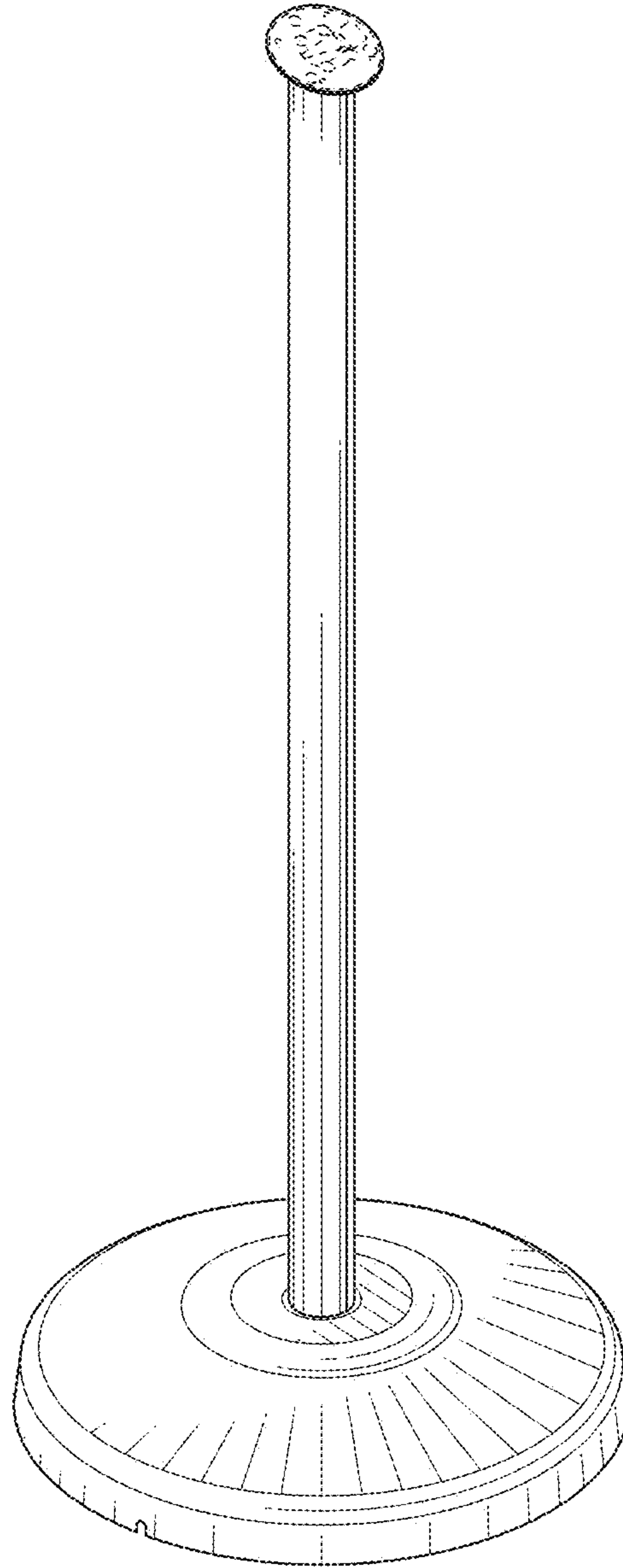


FIG. 6