



US00D926763S

(12) **United States Design Patent** (10) **Patent No.:** **US D926,763 S**
Helman et al. (45) **Date of Patent:** **** Aug. 3, 2021**

(54) **DOCK FOR PORTABLE ELECTRONIC DEVICES**

(71) Applicant: **InVue Security Products Inc.**,
Charlotte, NC (US)
(72) Inventors: **Christopher Richard Helman**,
Charlotte, NC (US); **Ronaldo Carreon**,
Charlotte, NC (US); **Jeffrey A. Grant**,
Charlotte, NC (US); **Kevin Gallagher**,
Charlotte, NC (US)
(73) Assignee: **InVue Security Products Inc.**,
Charlotte, NC (US)
(**) Term: **15 Years**

(21) Appl. No.: **29/672,391**
(22) Filed: **Dec. 5, 2018**
(51) **LOC (13) Cl.** **14-02**
(52) **U.S. Cl.**
USPC **D14/434**
(58) **Field of Classification Search**
USPC ... D14/434, 432, 433, 435, 435.1, 356, 357,
D14/358, 440, 447, 300, 301, 302, 314,
D14/348, 389, 363, 365, 251-253, 451,
D14/452, 454, 217, 240, 299, 496, 242,
D14/204, 171, 239; D13/103, 107, 108,
D13/184, 110, 123, 133, 135; D18/2,
D18/4.4, 4.5, 4.6, 12; D6/672, 673,
D6/375.4, 676.4, 382, 407, 329
CPC G06F 1/16; G06F 1/1632; G06F 1/266;
G06F 13/00; G06F 13/38; G06F 13/382;
G06F 13/385; G06F 13/387; G06F 3/065;
G06F 9/541; G06F 2213/3814; G06F
2213/40; G06F 2213/4004; H01R 13/512;
H01R 13/62
See application file for complete search history.

(56) **References Cited**

U.S. PATENT DOCUMENTS

D326,569	S	*	6/1992	Stravitz	D6/407
D367,647	S	*	3/1996	Faggard	D14/387
D628,001	S	*	11/2010	McGarry	D6/534
D649,153	S	*	11/2011	Symons	D14/447
8,047,488	B2	*	11/2011	Wang	F16M 11/10 248/176.1
D669,028	S	*	10/2012	Ino	D13/108
D682,285	S	*	5/2013	Skinner	D14/451
D683,141	S	*	5/2013	Symons	D14/447
D684,944	S	*	6/2013	Seong	D14/126
D687,036	S	*	7/2013	Seong	D14/374
D689,478	S	*	9/2013	Wikel	D14/253
D703,676	S	*	4/2014	Smith	D14/447
D718,770	S	*	12/2014	Specht	D14/447
RE45,474	E	*	4/2015	Andre	D14/375
D730,914	S	*	6/2015	Park	D14/447

(Continued)

Primary Examiner — Marie D. Fast Horse
(74) *Attorney, Agent, or Firm* — InVue Security Products Inc.

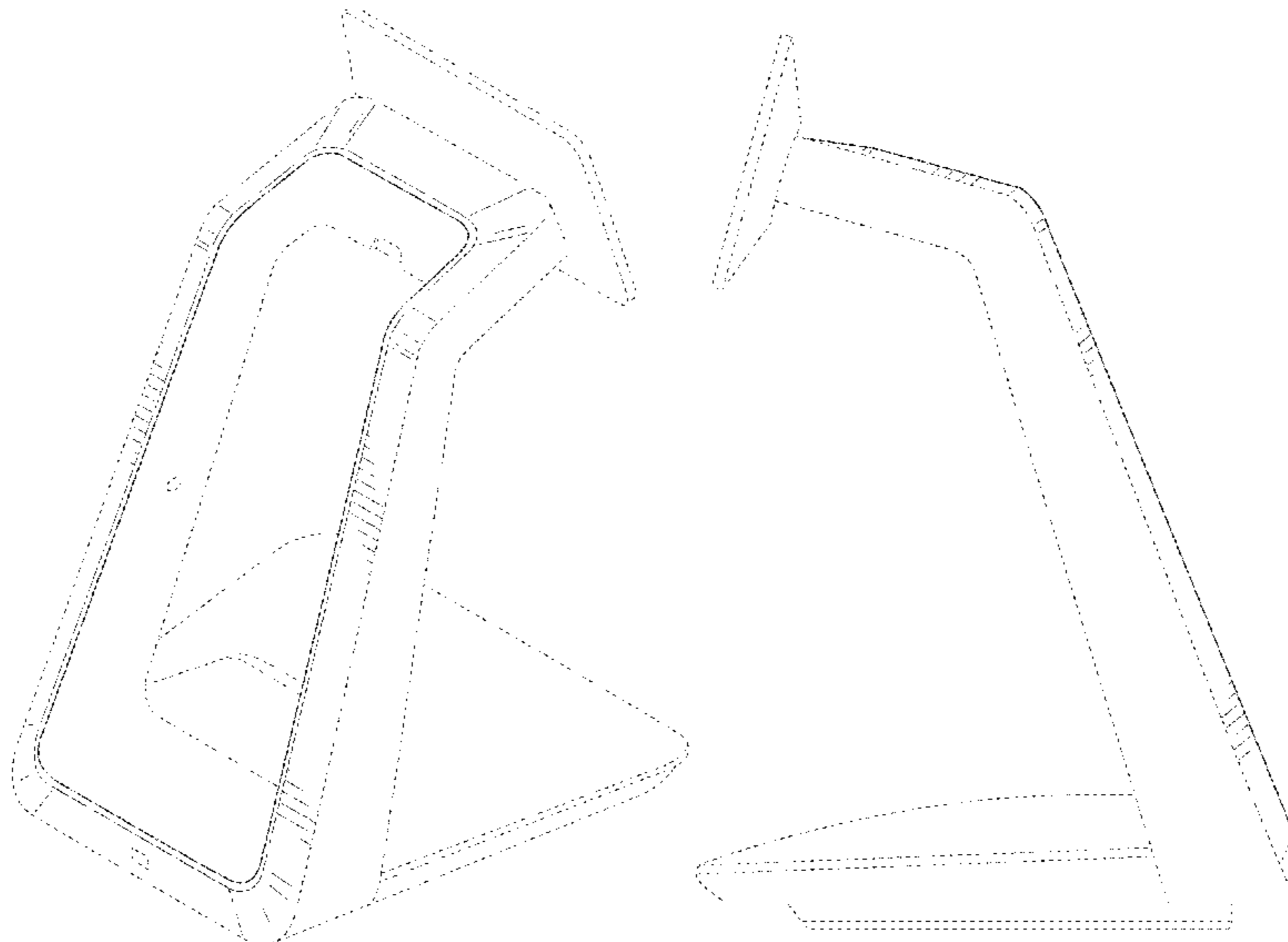
(57) **CLAIM**

We claim the ornamental design for a dock for portable electronic devices, as shown and described.

DESCRIPTION

FIG. 1 is a perspective view of a dock for portable electronic devices showing our design;
FIG. 2 is a left side view thereof;
FIG. 3 is a right side thereof;
FIG. 4 is front view thereof;
FIG. 5 is rear view thereof;
FIG. 6 is a top view thereof; and,
FIG. 7 is a bottom view thereof.
The broken lines in the drawings depict portions of the dock for portable electronic devices that form no part of the claimed design.
The unshaded surfaces shown between the solid lines and the broken lines form no part of the claimed design.

1 Claim, 7 Drawing Sheets



(56)

References Cited

U.S. PATENT DOCUMENTS

D732,037 S * 6/2015 Wylie D14/434
D736,211 S * 8/2015 Kirkpatrick H05K 7/20136
D14/434
D737,606 S * 9/2015 King D6/682
RE45,816 E * 12/2015 Andre D14/375
D759,001 S * 6/2016 Behar D14/239
D760,724 S * 7/2016 Kang D14/447
D773,201 S * 12/2016 Cardell D6/406.1
D789,348 S * 6/2017 Kim D14/253
D791,861 S * 7/2017 Battle D14/447
9,730,500 B1 * 8/2017 Provost A45D 27/29
D798,871 S * 10/2017 Avganim D14/447
D806,450 S * 1/2018 Seong D6/672
D829,725 S * 10/2018 Luo D14/447
D831,107 S * 10/2018 Chen D18/12
D832,250 S * 10/2018 Wong D14/336
D850,421 S * 6/2019 Tong D14/224
D857,025 S * 8/2019 Guerrero, Jr. D14/447
D860,174 S * 9/2019 Chong D14/224
D864,920 S * 10/2019 Chong D14/224
D866,533 S * 11/2019 Chong D14/224
D868,753 S * 12/2019 Kolton D14/224
D892,123 S * 8/2020 Campbell D14/434
D912,679 S * 3/2021 He D14/447
2007/0146979 A1 * 6/2007 Chen G06F 1/1601
361/679.21
2017/0140615 A1 * 5/2017 Larnac G07G 1/0045

* cited by examiner

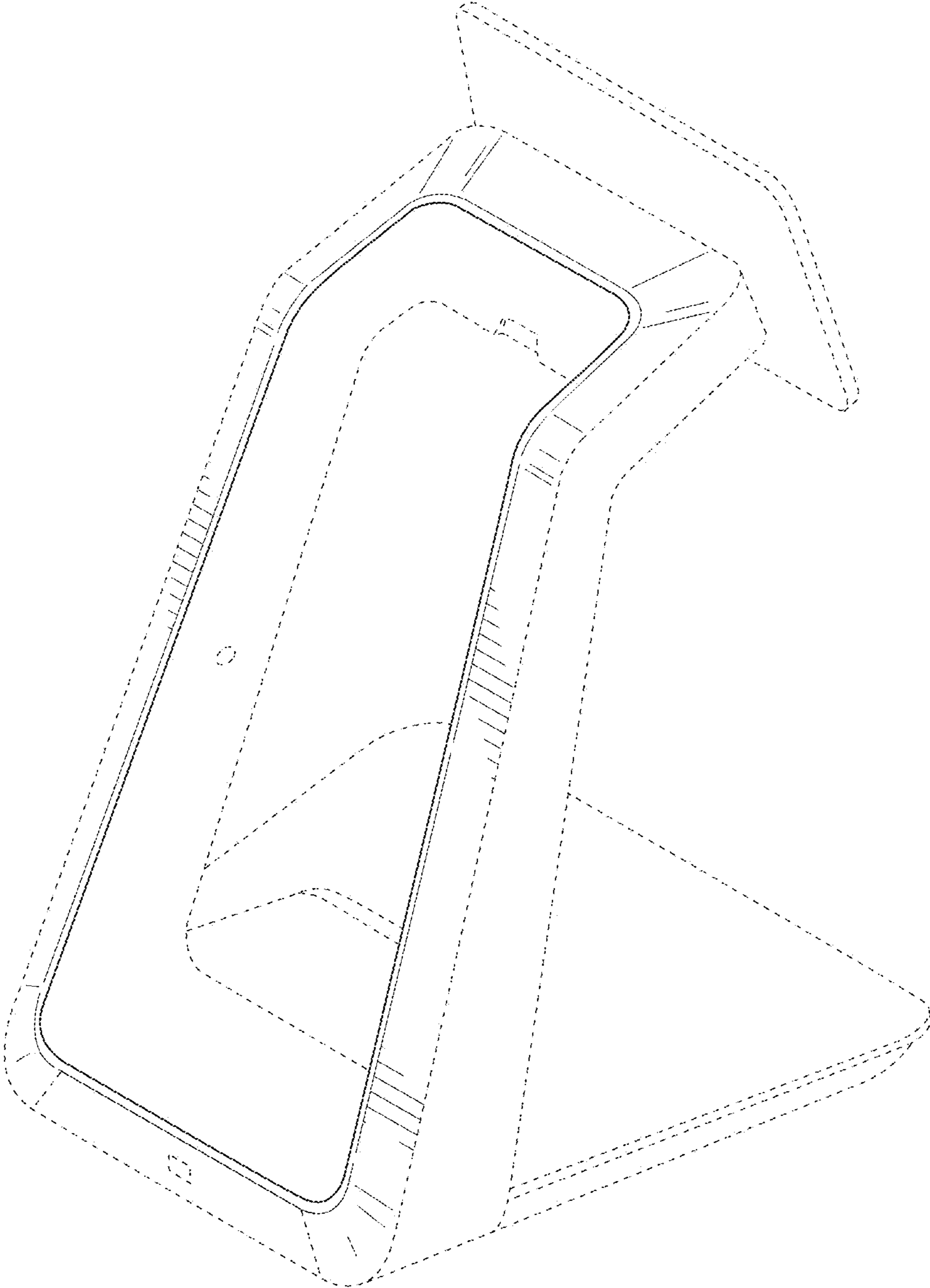


FIG. 1

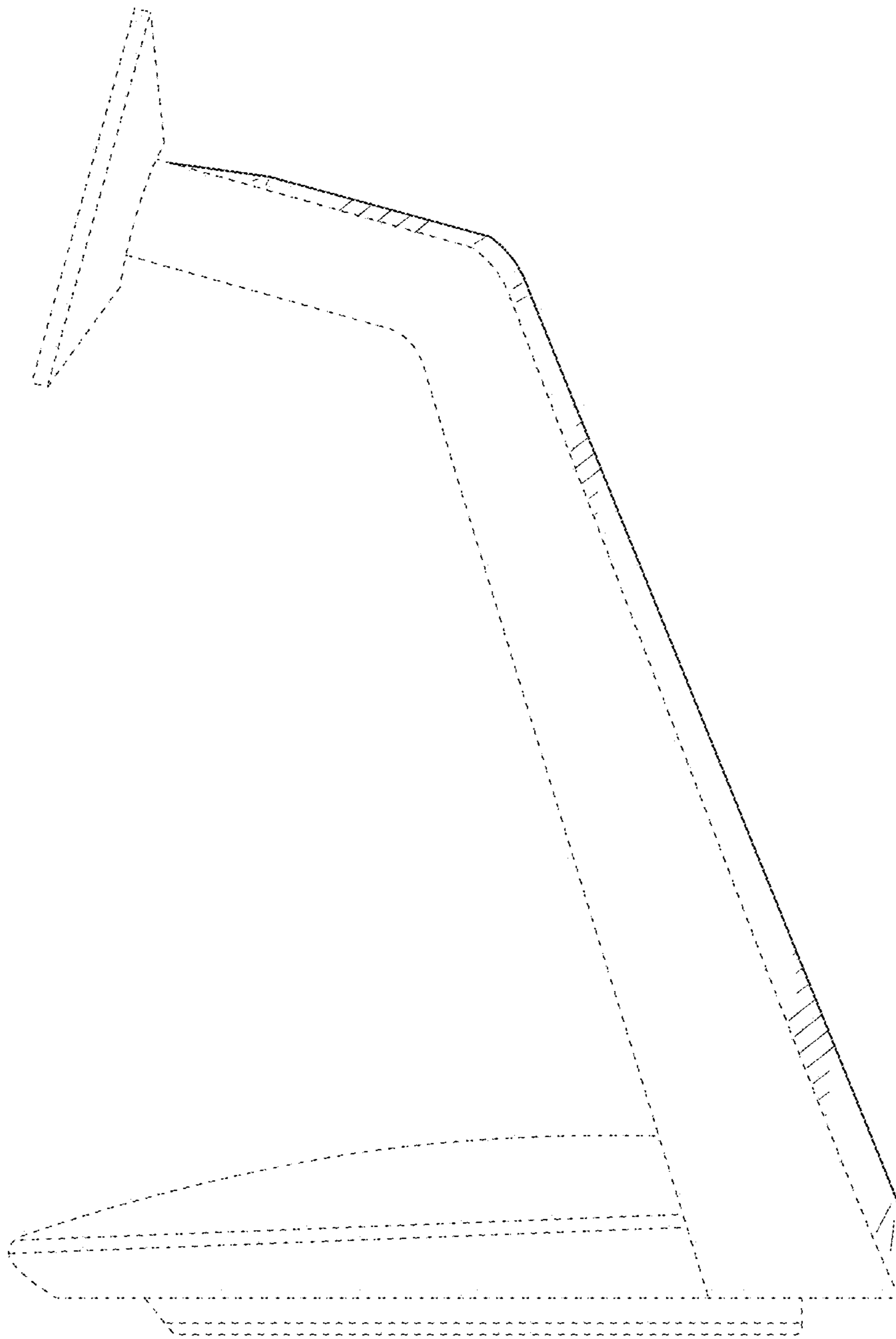


FIG. 2

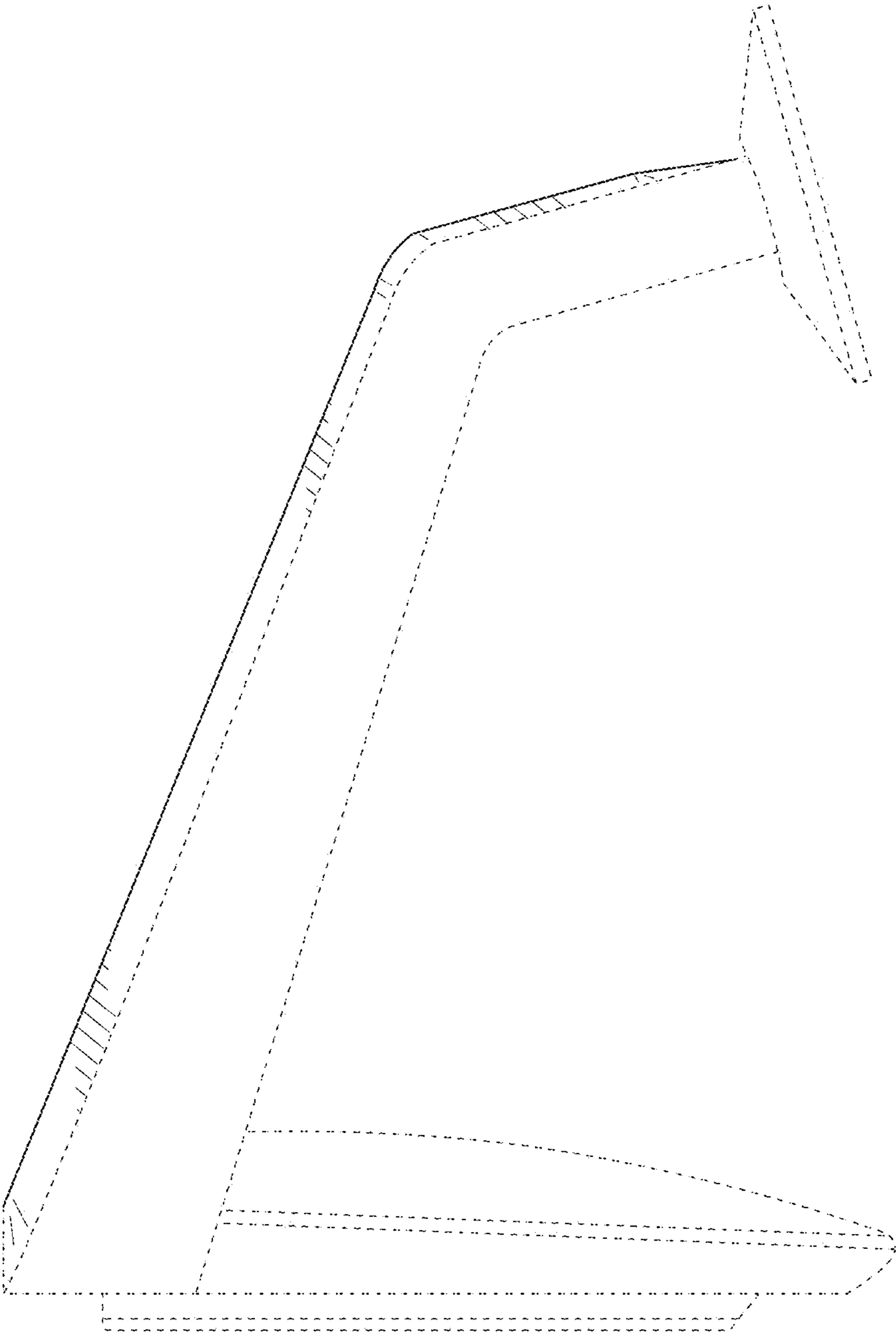


FIG. 3

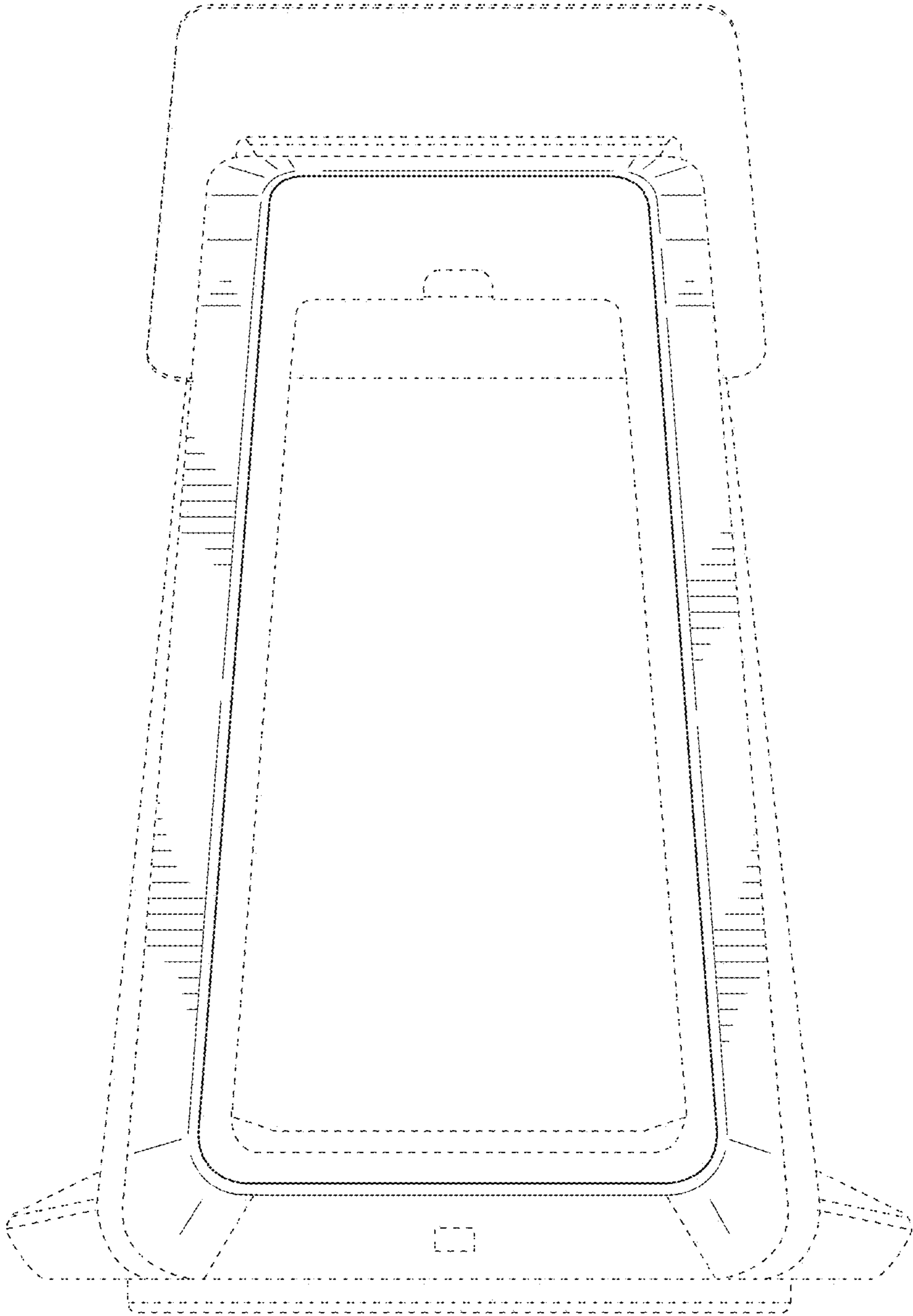


FIG. 4

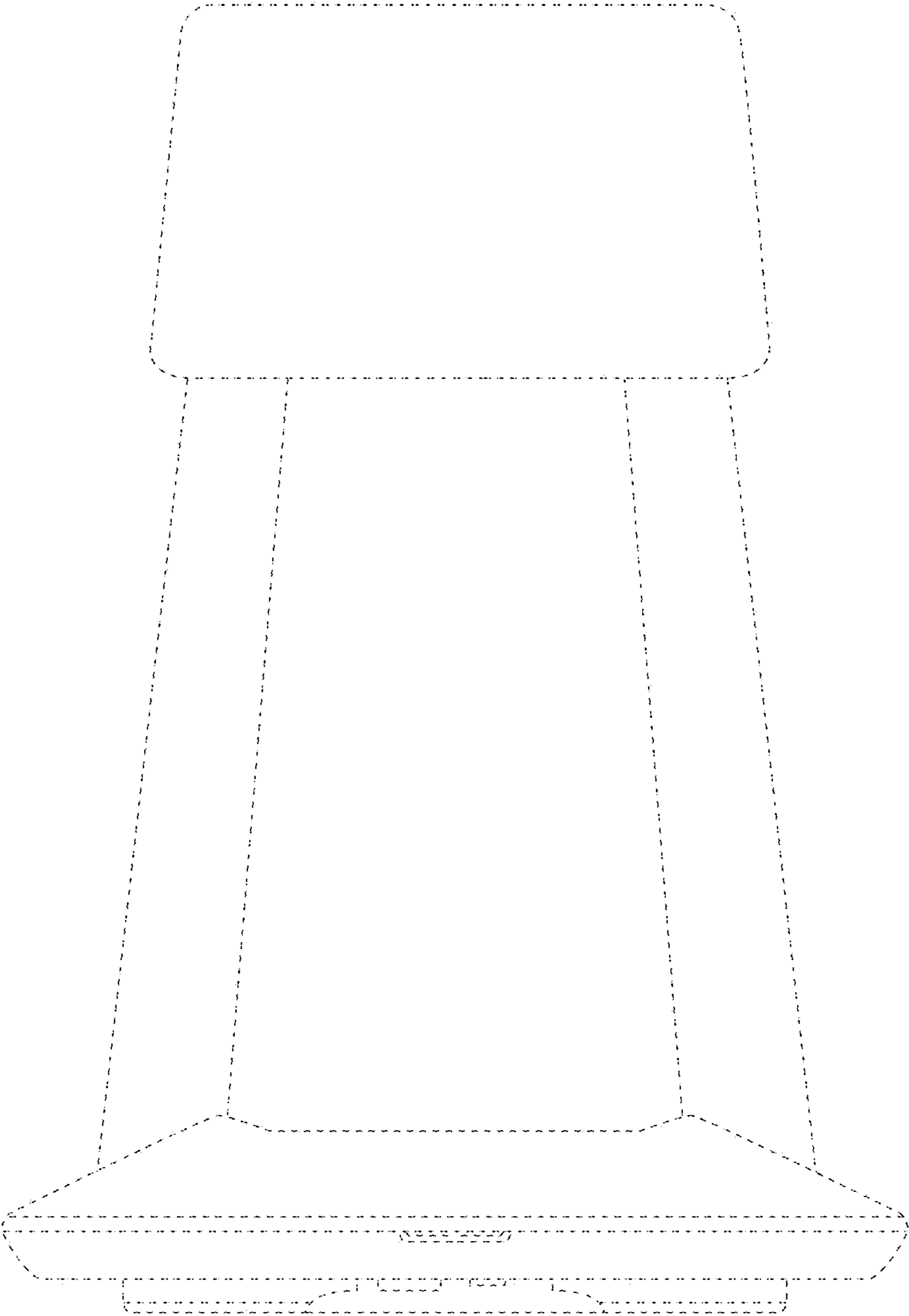


FIG. 5

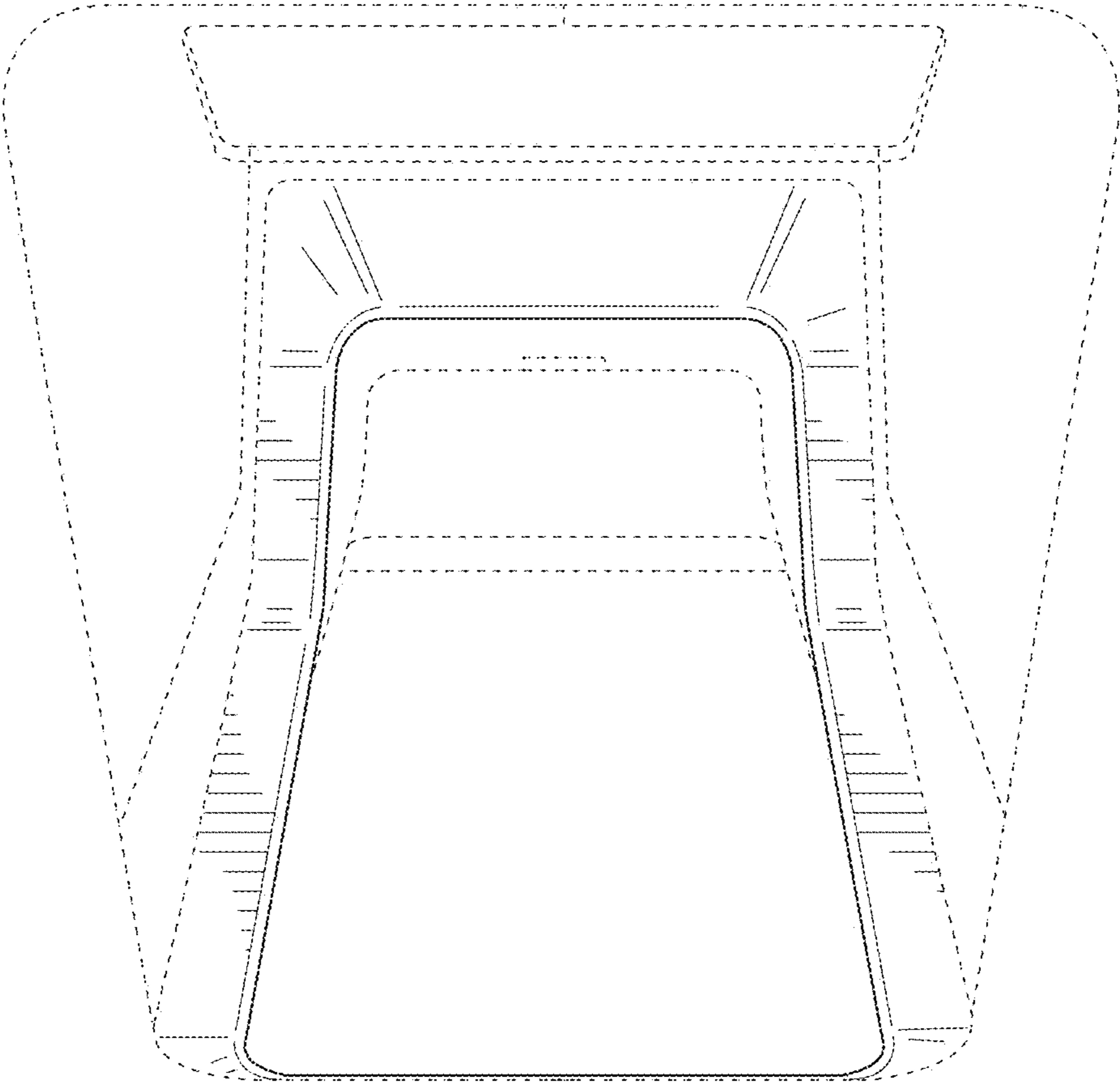


FIG. 6

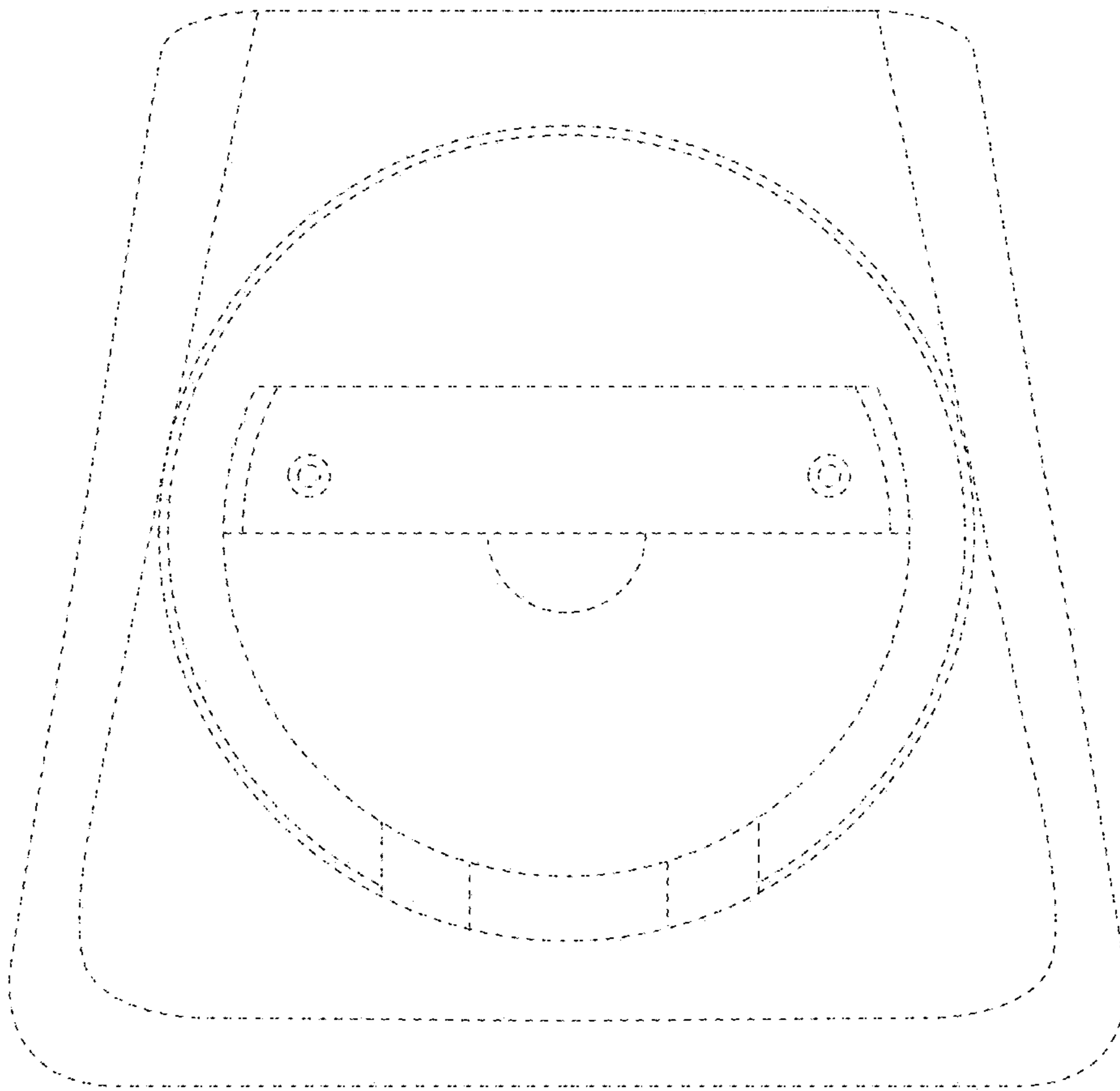


FIG. 7