



US00D926761S

(12) **United States Design Patent** (10) **Patent No.:** **US D926,761 S**
Xu (45) **Date of Patent:** **** Aug. 3, 2021**

(54) **MOUSE**

(71) Applicant: **SHENZHEN LEADER-UNION TECHNOLOGY CO., LTD**, Shenzhen (CN)

(72) Inventor: **Caiyun Xu**, Shenzhen (CN)

(73) Assignee: **SHENZHEN LEADER-UNION TECHNOLOGY CO., LTD.**, Shenzhen (CN)

(**) Term: **15 Years**

(21) Appl. No.: **29/702,310**

(22) Filed: **Aug. 19, 2019**

(51) **LOC (13) Cl.** **14-02**

(52) **U.S. Cl.**
USPC **D14/402**

(58) **Field of Classification Search**
USPC D14/401, 402, 403, 404, 405, 406, 407,
D14/408, 409, 410, 417, 432, 383, 384,
D14/385, 388, 389, 356, 411
See application file for complete search history.

(56) **References Cited**

U.S. PATENT DOCUMENTS

D539,800	S	*	4/2007	Chatterjee	D14/402
D711,380	S	*	8/2014	Urban	D14/410
D762,646	S	*	8/2016	Chong	D14/409
D826,939	S	*	8/2018	Chong	D14/402
D829,717	S	*	10/2018	Lu	D14/409
D845,300	S	*	4/2019	Chong	D14/410
D860,203	S	*	9/2019	Chong	D14/402
D892,117	S	*	8/2020	Chong	D14/409
D903,678	S	*	12/2020	Xu	D14/409
D906,331	S	*	12/2020	Mohammad	D14/409
D908,698	S	*	1/2021	Chong	D14/402
D912,052	S	*	3/2021	Xu	D14/409

OTHER PUBLICATIONS

Pietek computer mouse, announced 2016 [online], [site visited Apr. 14, 2021]. Available on internet, URL:https://www.amazon.com/PICTEK-Programmable-Breathing-Ergonomic-Computer/dp/B01FZ3BR5S/ref=sr_1_9?dchild=1&keywords=computer+mouse&qid=1618409306&sr=8-9 (Year: 2016).*

Bengoo computer mouse, announced 2015 [online], [site visited Apr. 14, 2021]. Available on internet, URL:https://www.amazon.com/BENGOO-Changing-Ergonomic-Computer-Adjustable/dp/B00Z9V0NKC/ref=sr_1_19?dchild=1&keywords=computer+mouse&qid=1618409672&sr=8-19 (Year: 2015).*

Inphic wireless mouse, announced 2017 [online], [site visited Apr. 14, 2021]. Available on internet, URL:https://www.amazon.com/Wireless-inphic-Rechargeable-Receiver-Black/dp/B074M96FKW/ref=sr_1_307?dchild=1&keywords=computer+mouse&qid=1618417078&sr=8-307 (Year: 2017).*

* cited by examiner

Primary Examiner — Khawaja Anwar
Assistant Examiner — Julice Seung Eun Oum

(57) **CLAIM**

The ornamental design for a mouse, as shown and described.

DESCRIPTION

FIG. 1 is a perspective view of a mouse showing my new design;

FIG. 2 is another perspective view thereof;

FIG. 3 is a front elevational view thereof;

FIG. 4 is a rear elevational view thereof;

FIG. 5 is a left side elevational view thereof;

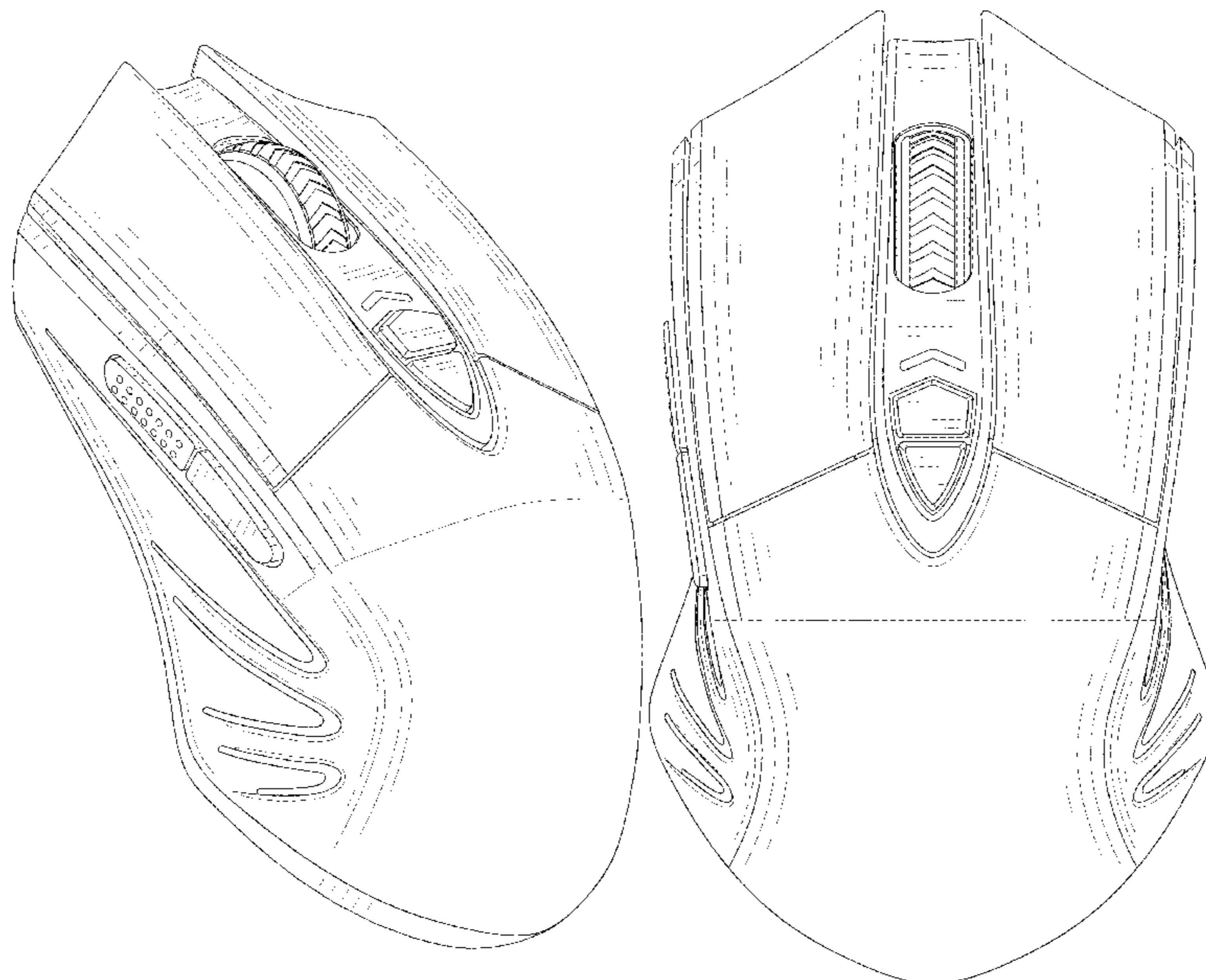
FIG. 6 is a right side elevational view thereof;

FIG. 7 is a top plan view thereof; and,

FIG. 8 is a bottom plan view thereof.

The broken lines in the drawings depict portions of the mouse that form no part of the claimed design.

1 Claim, 8 Drawing Sheets



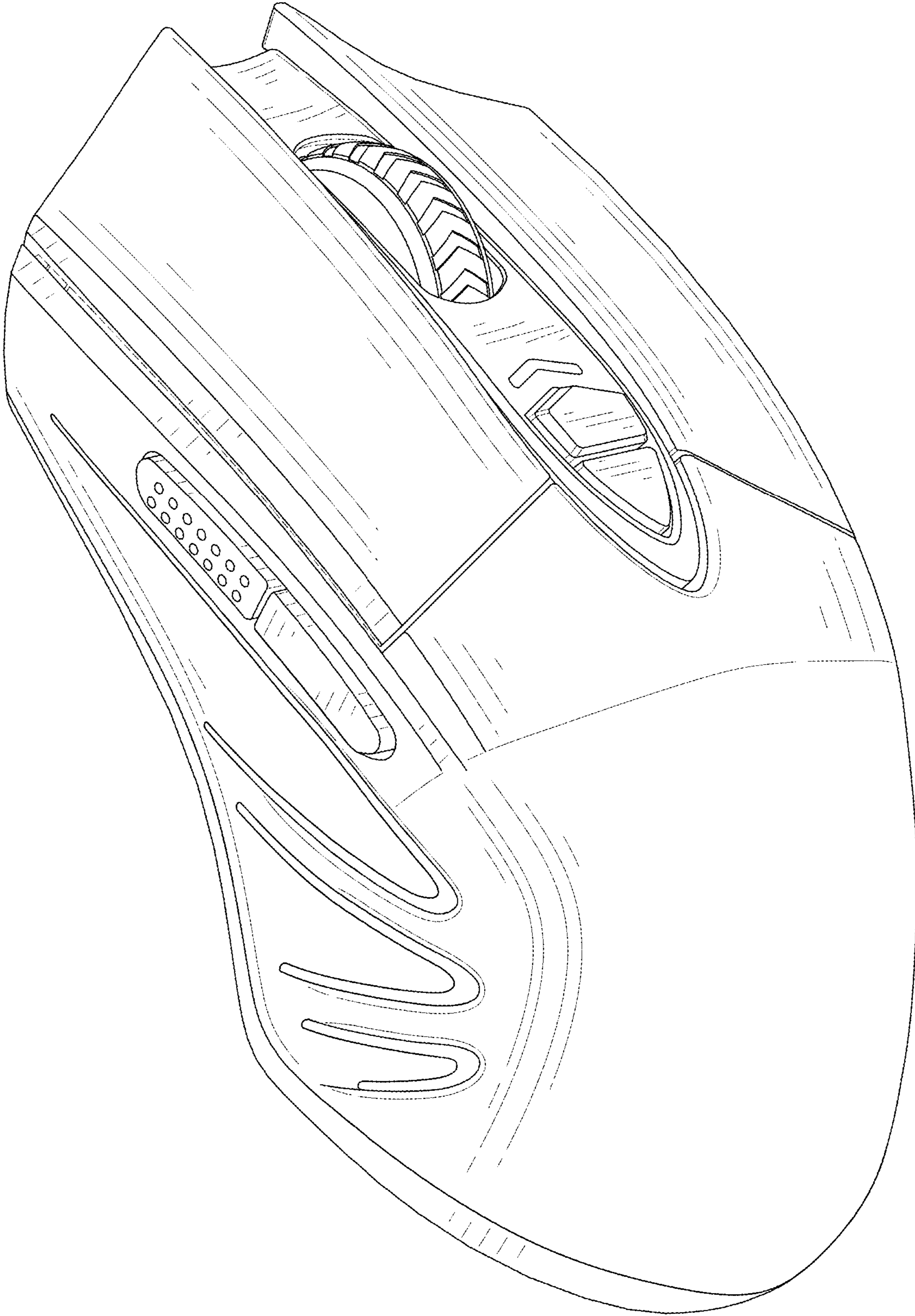


FIG. 1

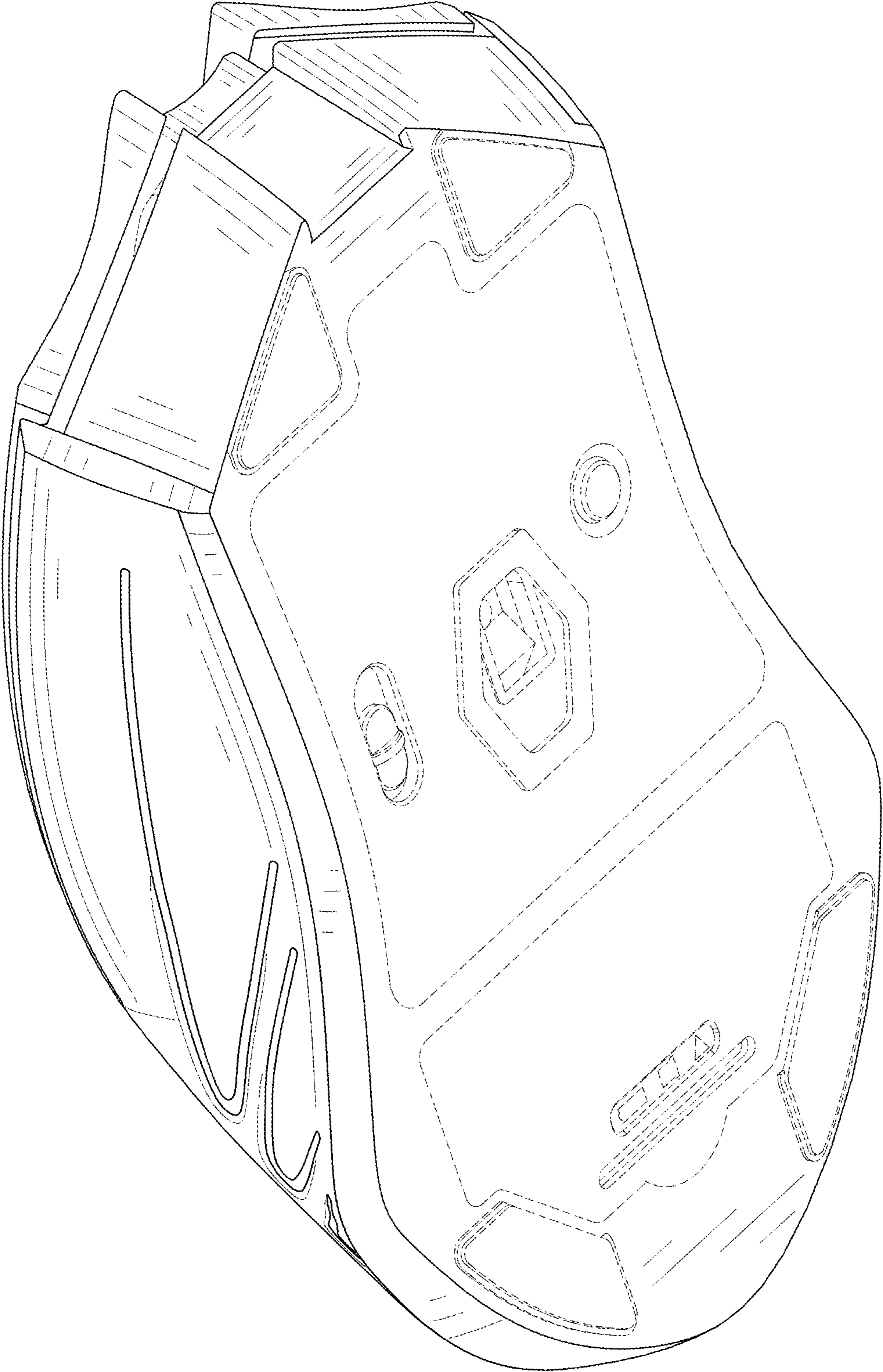


FIG. 2

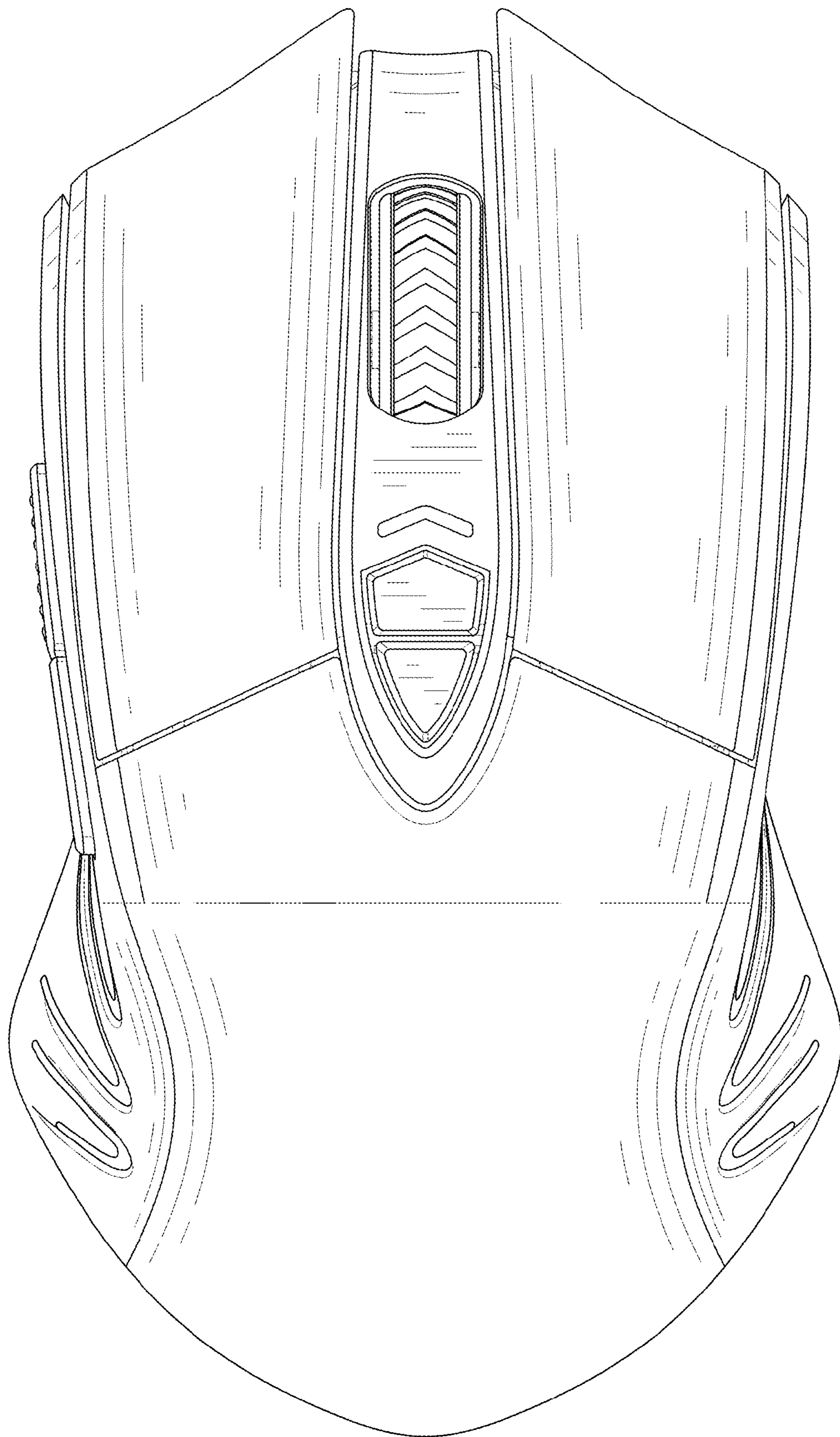


FIG. 3

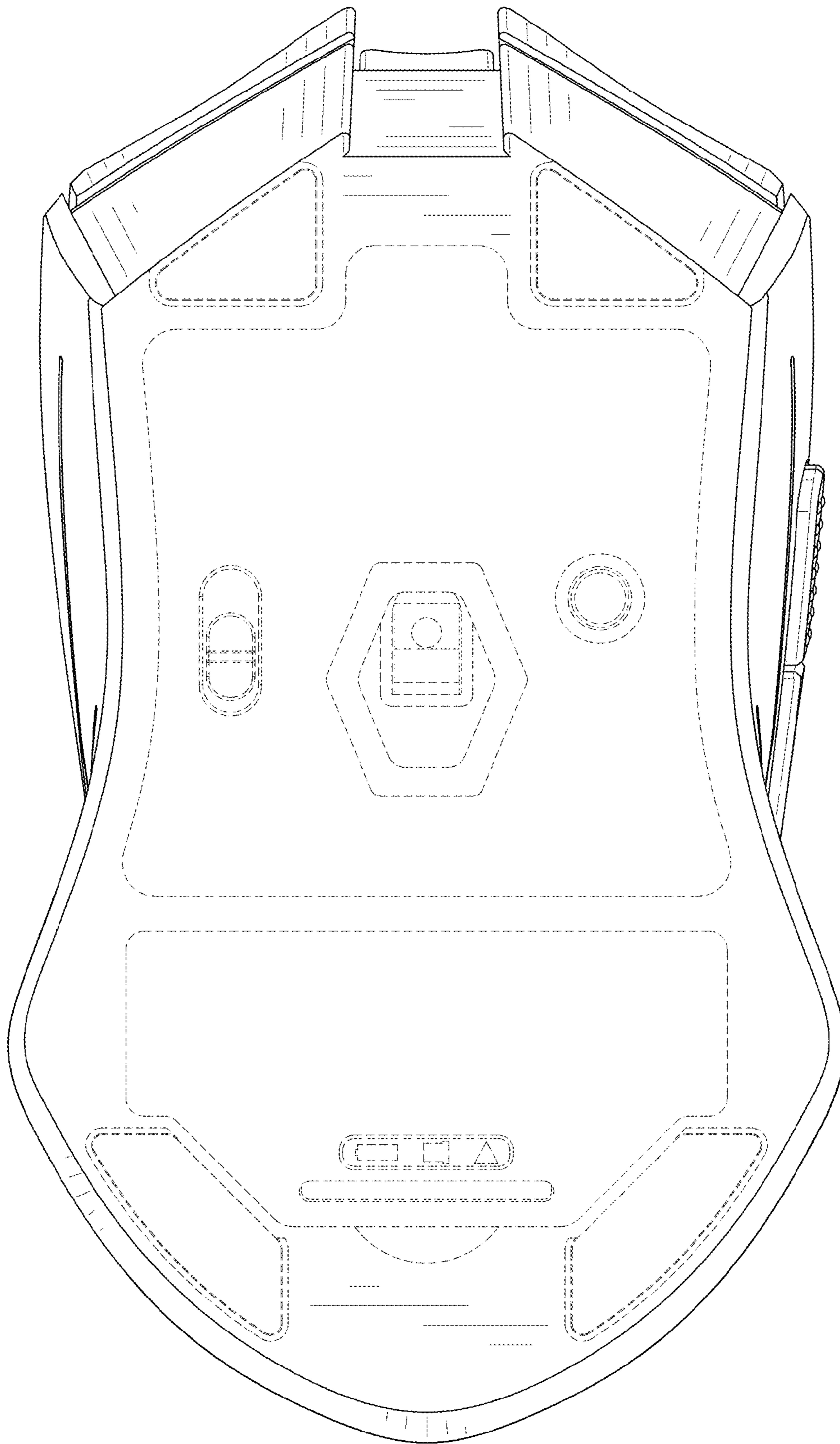


FIG. 4

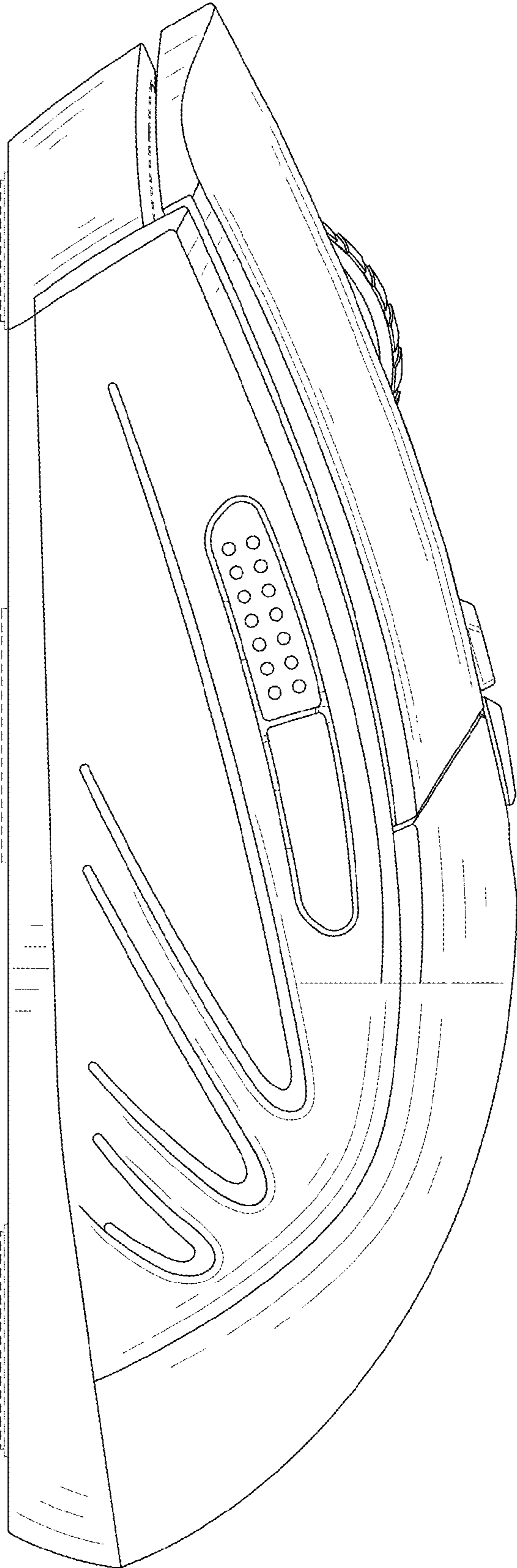


FIG. 5

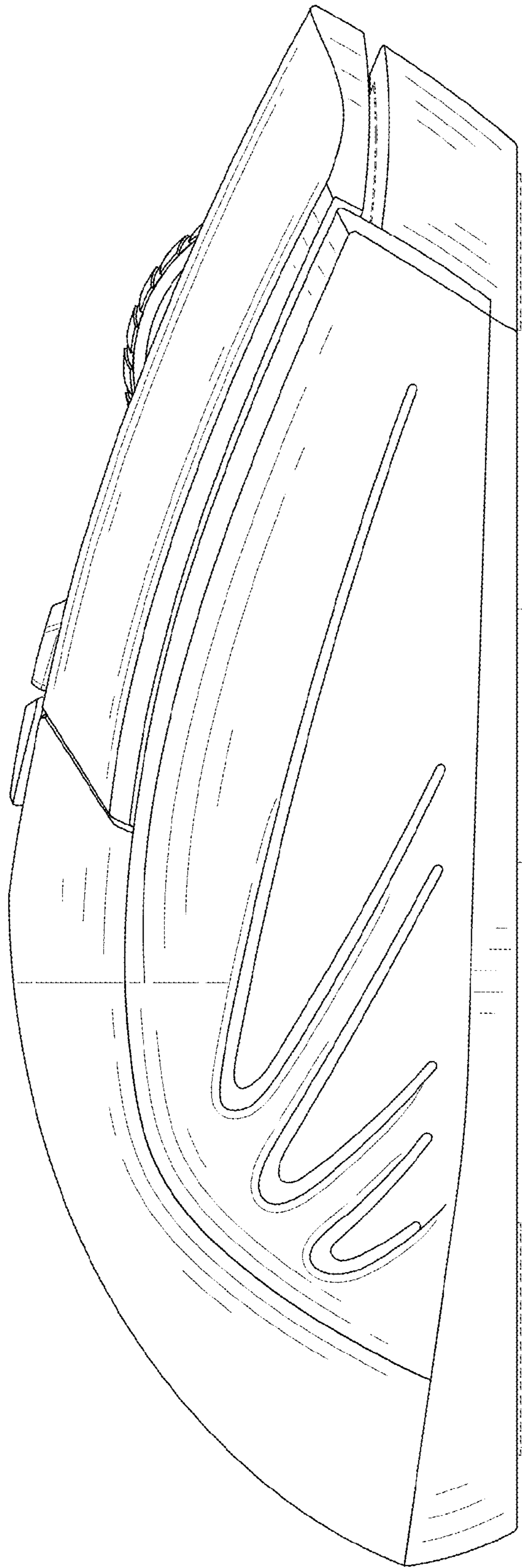


FIG. 6

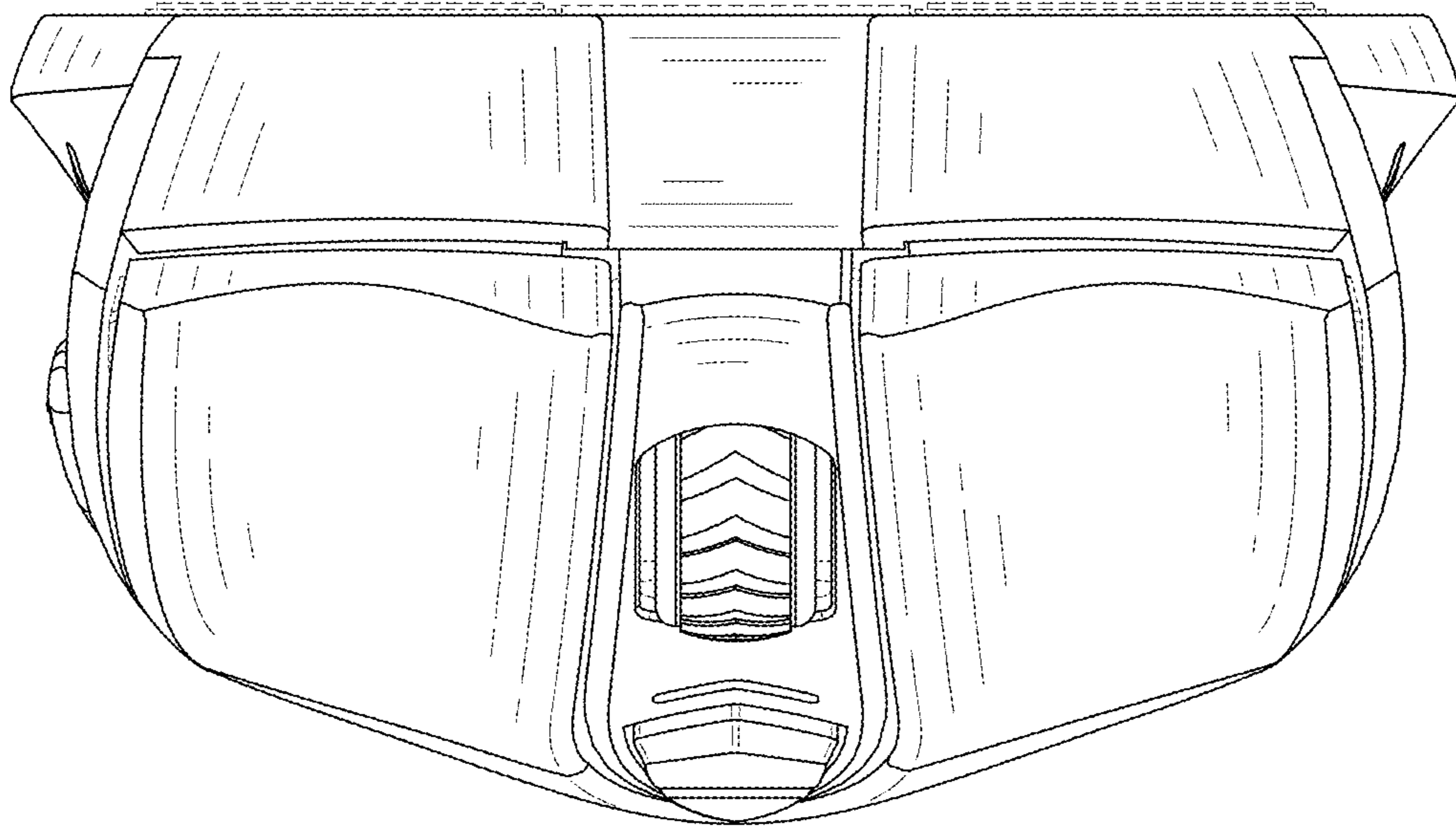


FIG. 7

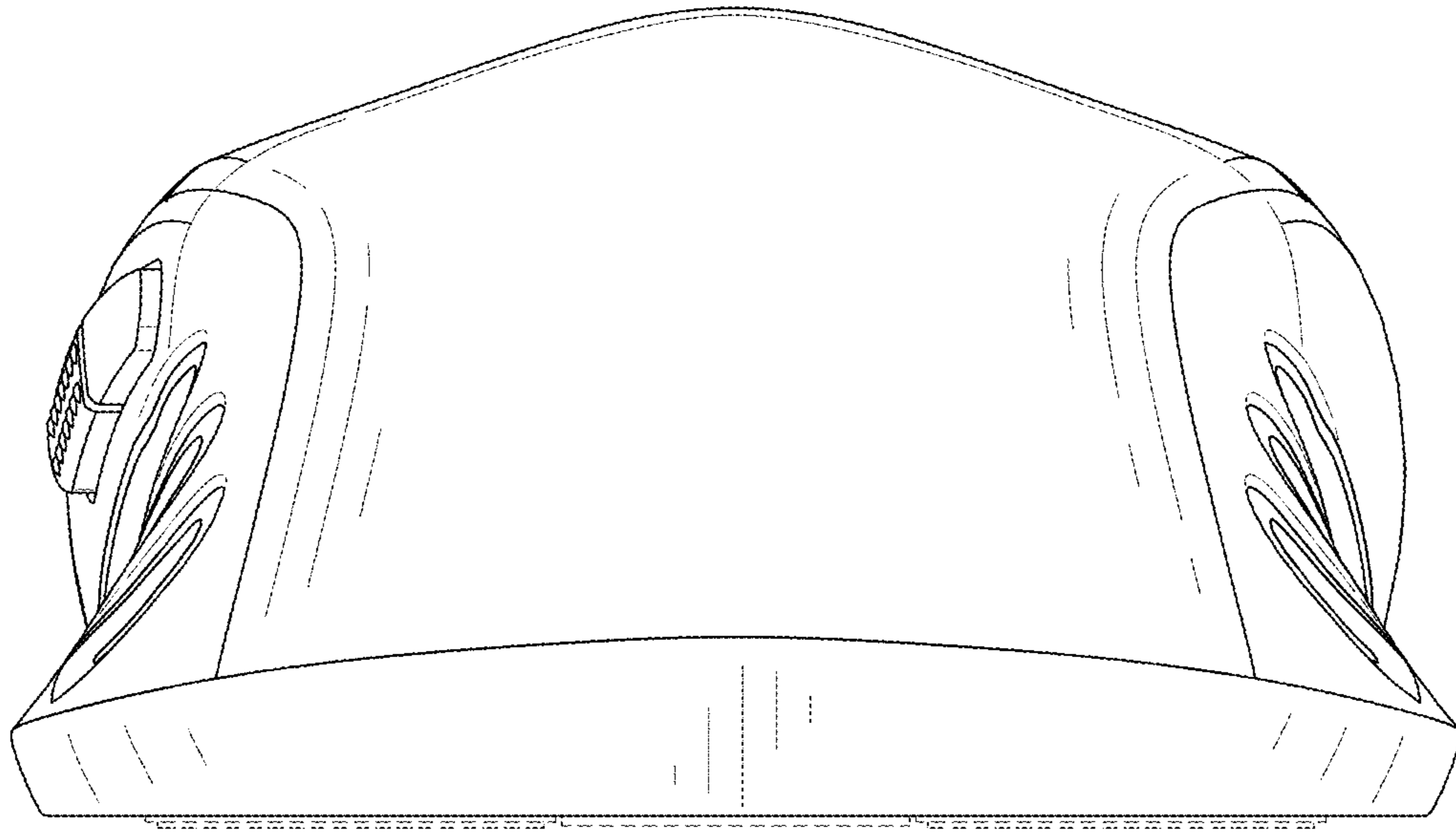


FIG. 8