



US00D926760S

(12) **United States Design Patent** (10) **Patent No.:** **US D926,760 S**  
**Zhong** (45) **Date of Patent:** **\*\* Aug. 3, 2021**

(54) **KEYBOARD**

FOREIGN PATENT DOCUMENTS

(71) Applicant: **Getac Technology Corporation**,  
Hsinchu County (TW)

CN 304903633 \* 11/2018  
CN 305498676 \* 12/2019

(72) Inventor: **Shi-Liang Zhong**, Taipei (TW)

OTHER PUBLICATIONS

(73) Assignee: **GETAC TECHNOLOGY CORPORATION**, Hsinchu County (TW)

K120 Detachable Keyboard Dock, Getac, ruggedcomputing.com, author unlisted, published on Mar. 30, 2019 perwayback machine © 2020 ruggedcomputing.com.au, online, site visited Dec. 19, 2020. Available from Internet, URL: <https://www.ruggedcomputing.com.au/GDKBU5-p/gdkbu5.htm> (Year: 2019).\*

(\*\*) Term: **15 Years**

(Continued)

(21) Appl. No.: **29/691,087**

*Primary Examiner* — Lakiya G Rogers

(22) Filed: **May 14, 2019**

*Assistant Examiner* — Altaira J Swangin

(51) **LOC (13) Cl.** ..... **14-02**

(74) *Attorney, Agent, or Firm* — Locke Lord LLP; Tim Tingkang Xia, Esq.

(52) **U.S. Cl.**

USPC ..... **D14/392**

(58) **Field of Classification Search**

USPC ..... D14/247, 315–327, 331–333, 338, D14/345–347, 387, 390–401, 406, 429, D14/455–457, 460–461, 447, 459, 203.8, D14/209.1; D18/1–2, 4.1–4.6, 7, 11, D18/12.2, 52; D21/324, 409  
CPC ..... B41J 5/00; B41J 5/10; B41J 5/12; G06F 3/021; G06F 3/0216; G06F 3/0219; G06F 3/02

See application file for complete search history.

(57) **CLAIM**

The ornamental design for a keyboard, as shown and described.

**DESCRIPTION**

FIG. 1 is a top, front and left side perspective view of a keyboard showing my new design; FIG. 2 is a top, rear and right side perspective view thereof; FIG. 3 is a bottom, front and left side perspective view thereof; FIG. 4 is a bottom, rear and right side perspective view thereof; FIG. 5 is a front view thereof; FIG. 6 is a rear view thereof; FIG. 7 is a left side view thereof; FIG. 8 is a right side view thereof; FIG. 9 is a top view thereof; and, FIG. 10 is a bottom view thereof.

The broken lines in the drawings depict portions of the keyboard that form no part of the claimed design.

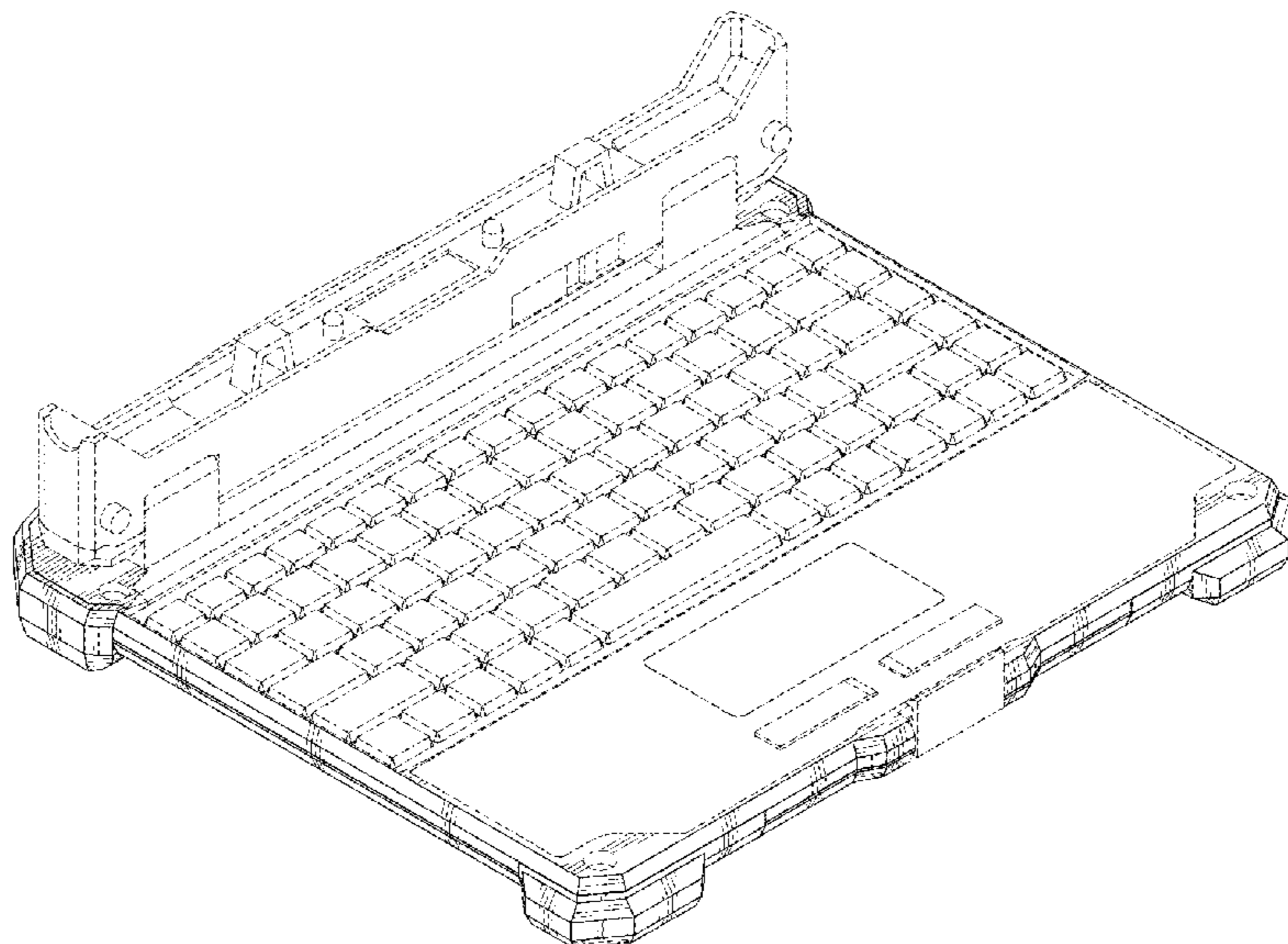
(56) **References Cited**

U.S. PATENT DOCUMENTS

D725,116 S *	3/2015	Li	.....	D14/440
D746,293 S *	12/2015	Park	.....	D14/455
D776,660 S *	1/2017	Takiguchi	.....	D14/434
D776,661 S *	1/2017	Takiguchi	.....	D14/434
D776,662 S *	1/2017	Takiguchi	.....	D14/434
D776,663 S *	1/2017	Takiguchi	.....	D14/434
D778,282 S *	2/2017	Takiguchi	.....	D14/434
D785,634 S *	5/2017	Iwamoto	.....	D14/434

(Continued)

**1 Claim, 10 Drawing Sheets**



(56)

**References Cited**

U.S. PATENT DOCUMENTS

D801,976 S \* 11/2017 Li ..... D14/440  
 9,899,783 B1 \* 2/2018 Chang ..... H01R 13/7039  
 D879,771 S \* 3/2020 Lu ..... D14/328  
 D886,107 S \* 6/2020 Kuo ..... D14/434  
 D893,494 S \* 8/2020 Zhong ..... D14/439  
 D900,825 S \* 11/2020 Zhong ..... D14/434  
 2011/0062008 A1 \* 3/2011 Cheng ..... G06F 1/1662  
 200/5 A  
 2013/0044425 A1 \* 2/2013 Lin ..... G06F 1/1632  
 361/679.43  
 2014/0355191 A1 \* 12/2014 Lin ..... G06F 1/1679  
 361/679.17  
 2016/0062411 A1 \* 3/2016 Morrison ..... G06F 1/1632  
 361/679.08  
 2016/0065690 A1 \* 3/2016 Hanyu ..... H04L 67/303  
 715/746  
 2016/0088747 A1 \* 3/2016 Kuo ..... G06F 1/1616  
 361/807  
 2016/0314559 A1 \* 10/2016 Kimura ..... G06T 3/4092  
 2017/0285693 A1 \* 10/2017 Mori ..... G06F 1/1616

2018/0019081 A1 \* 1/2018 Ascorra ..... H01H 13/83  
 2018/0049332 A1 \* 2/2018 Chang ..... A45F 5/10  
 2019/0350352 A1 \* 11/2019 Chou ..... A45C 13/26  
 2019/0361492 A1 \* 11/2019 Urimoto ..... E05B 65/0067  
 2019/0361503 A1 \* 11/2019 Kuriyama ..... G06F 1/1679  
 2020/0059054 A1 \* 2/2020 Hsu ..... G06F 1/1654  
 2020/0318781 A1 \* 10/2020 Zhong ..... G06F 1/1656  
 2021/0059061 A1 \* 2/2021 Hsu ..... G06F 1/1616

OTHER PUBLICATIONS

UX10 Tablet Keyboard, Getac, ruggedcomputing.com, author unlisted, published on Oct. 23, 2019 per wayback machine © 2020 GETAC, online, site visited Dec. 19, 2020. Available from Internet, URL: <https://www.getac.com/intl/products/tablets/ux10/> (Year: 2019).\*

UX10 Detachable Keyboard Dock, Getac, ruggedpcreview.com, published by Conrad H. Blickenstorfer on Jul. 10, 2019 per wayback machine © not listed, online, site visited Dec. 19, 2020. Available from Internet, URL: [https://www.ruggedpcreview.com/3\\_slates\\_getac\\_ux10.html](https://www.ruggedpcreview.com/3_slates_getac_ux10.html) (Year: 2019).\*

\* cited by examiner

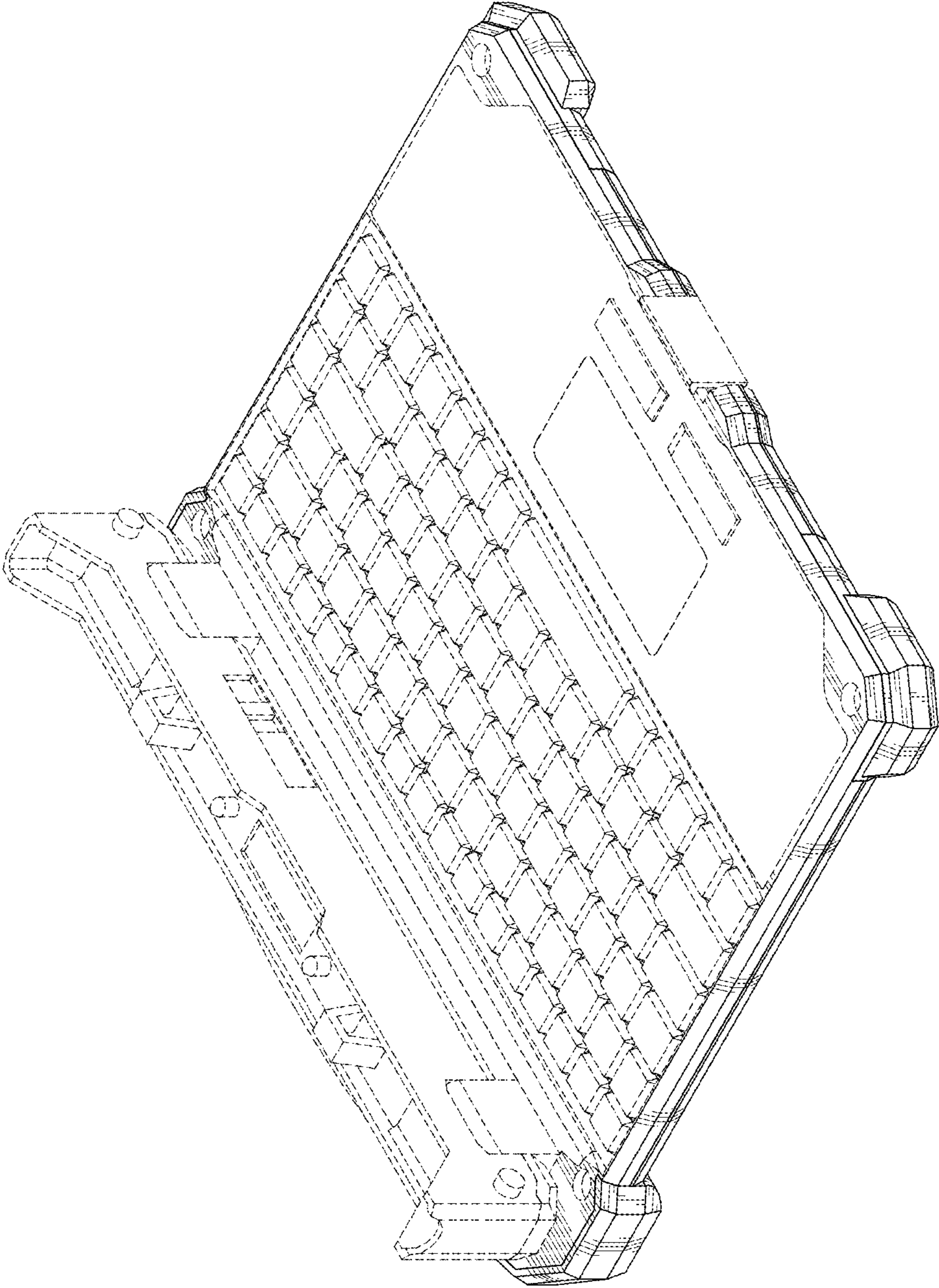


FIG. 1



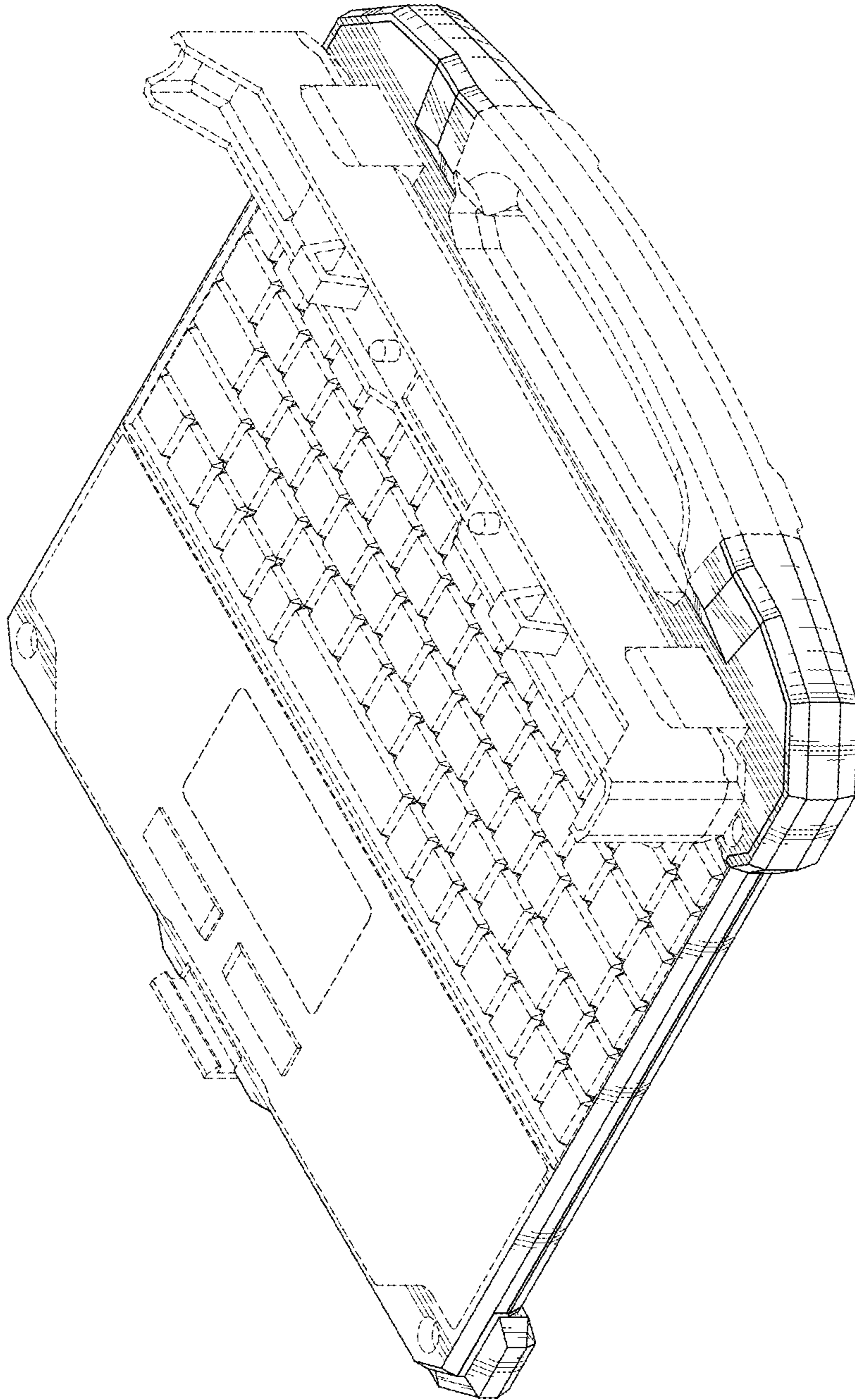


FIG. 2

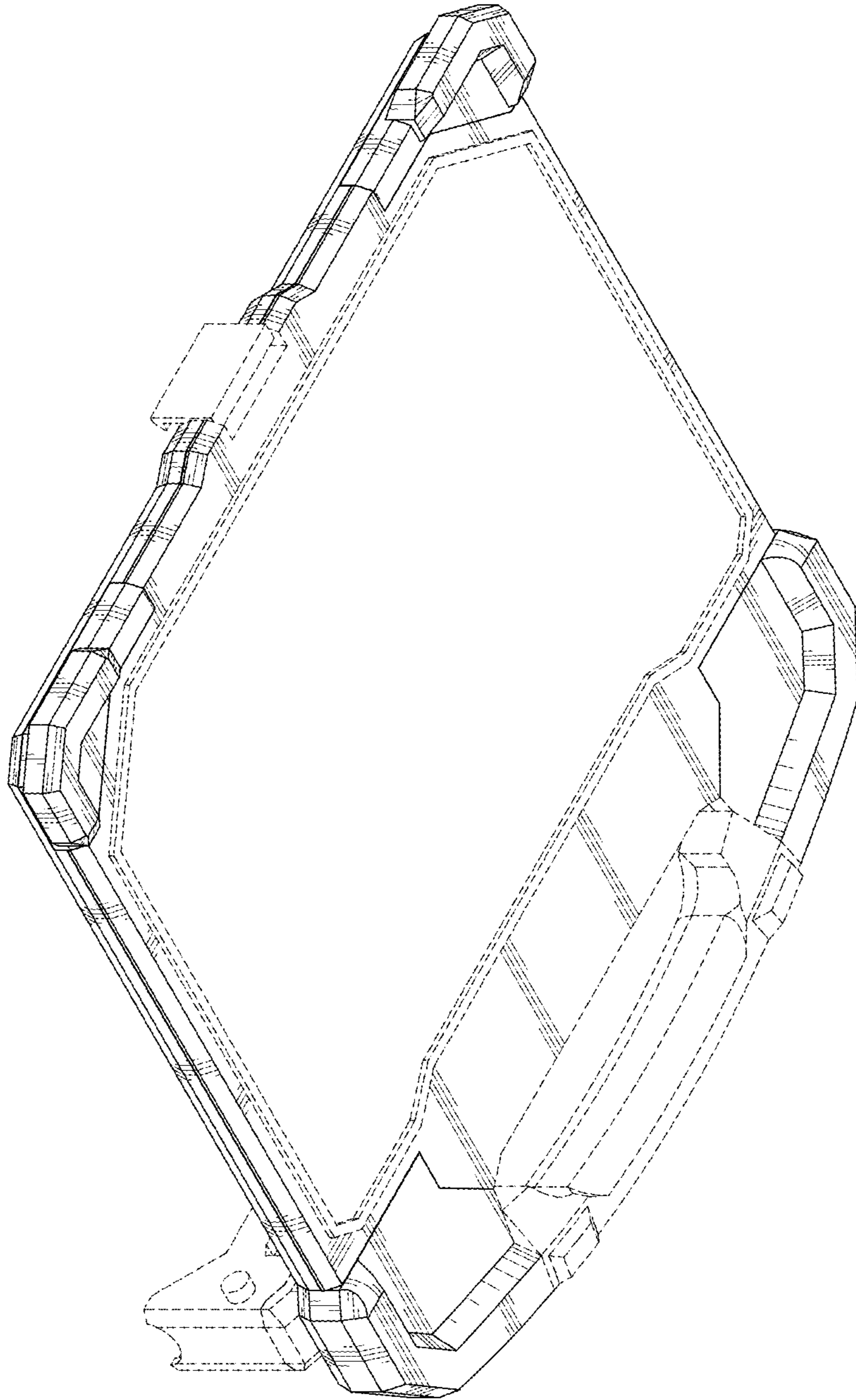


FIG. 3

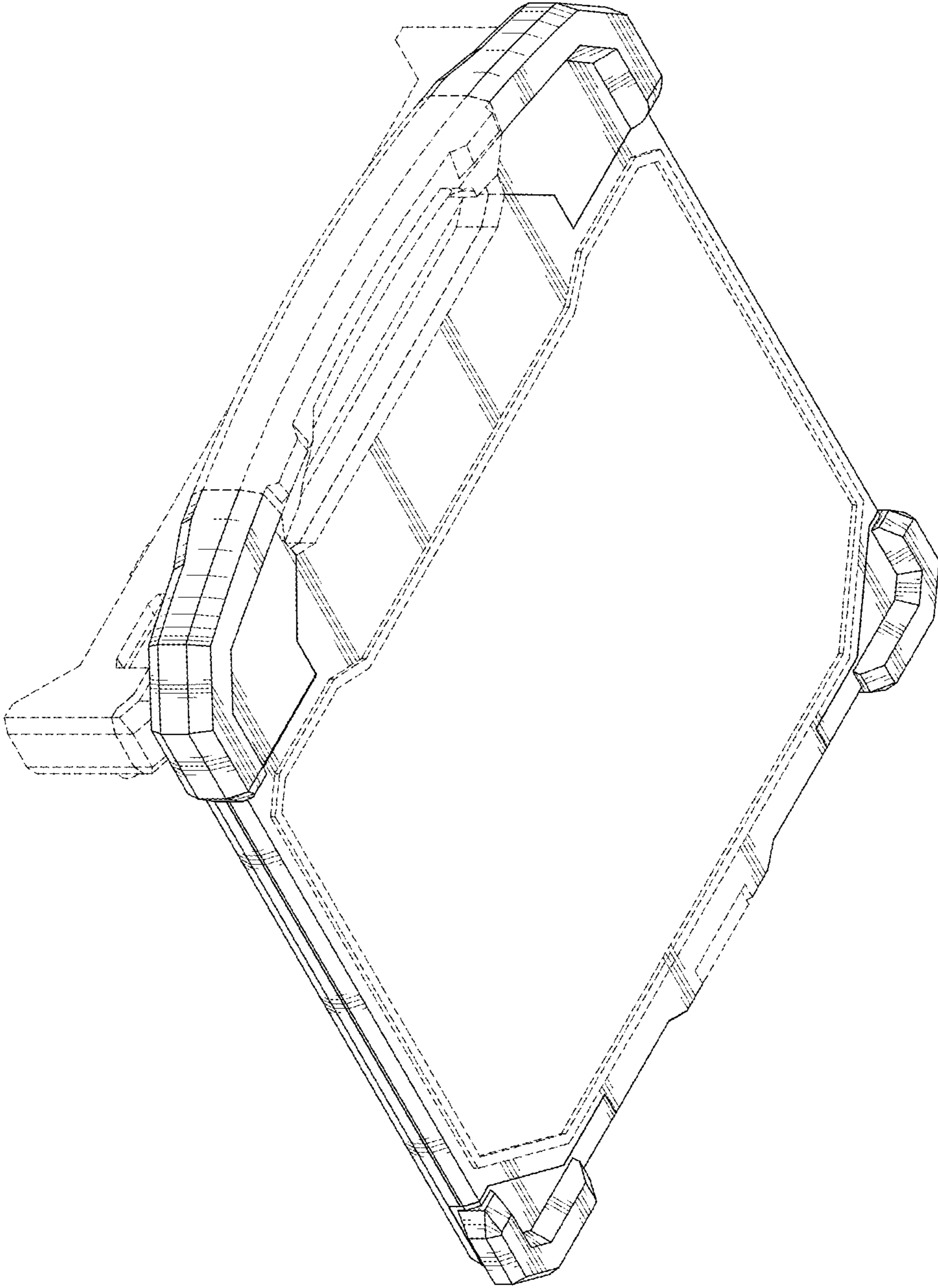


FIG. 4

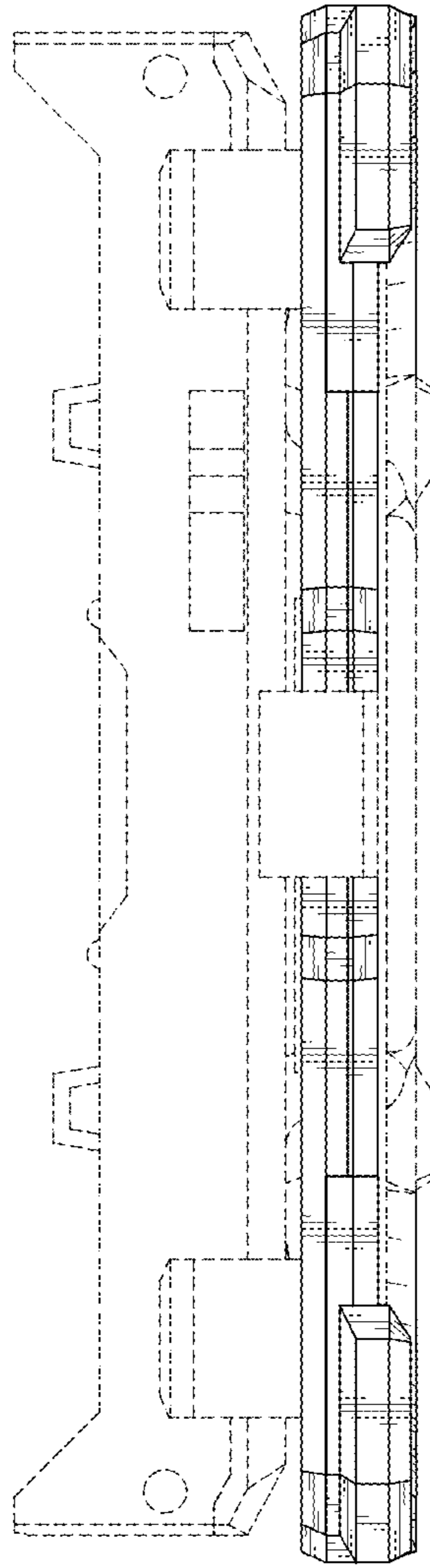


FIG. 5

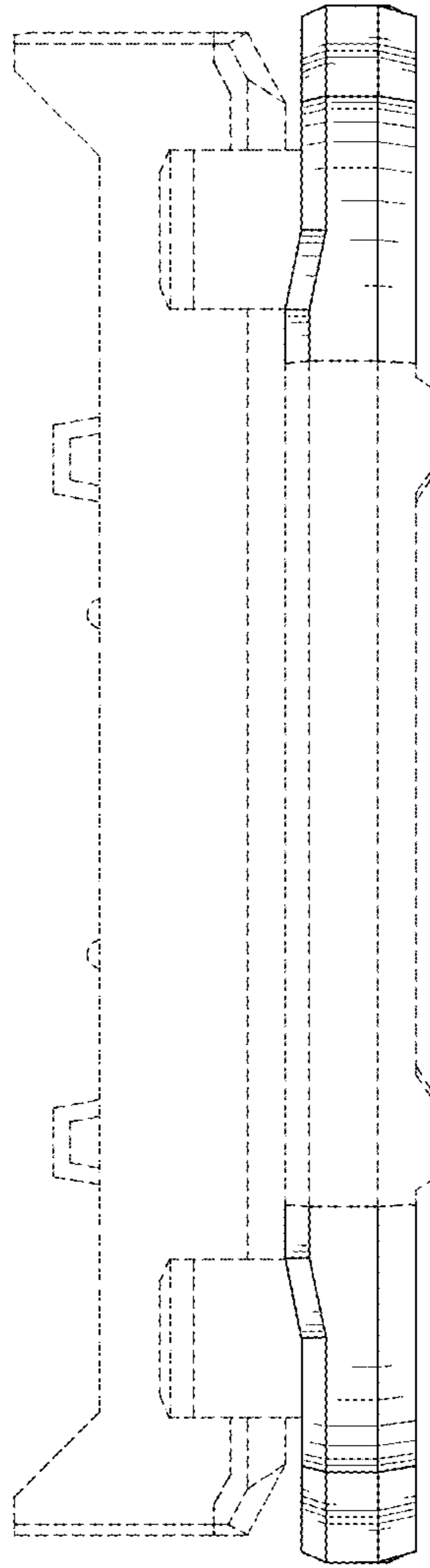


FIG. 6



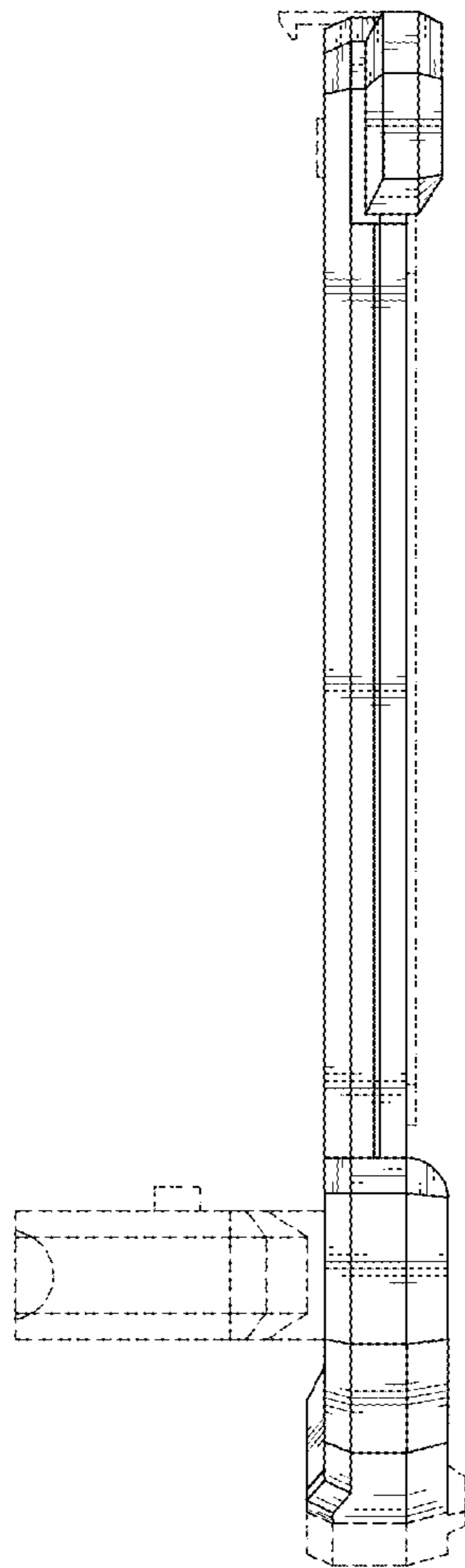


FIG. 7

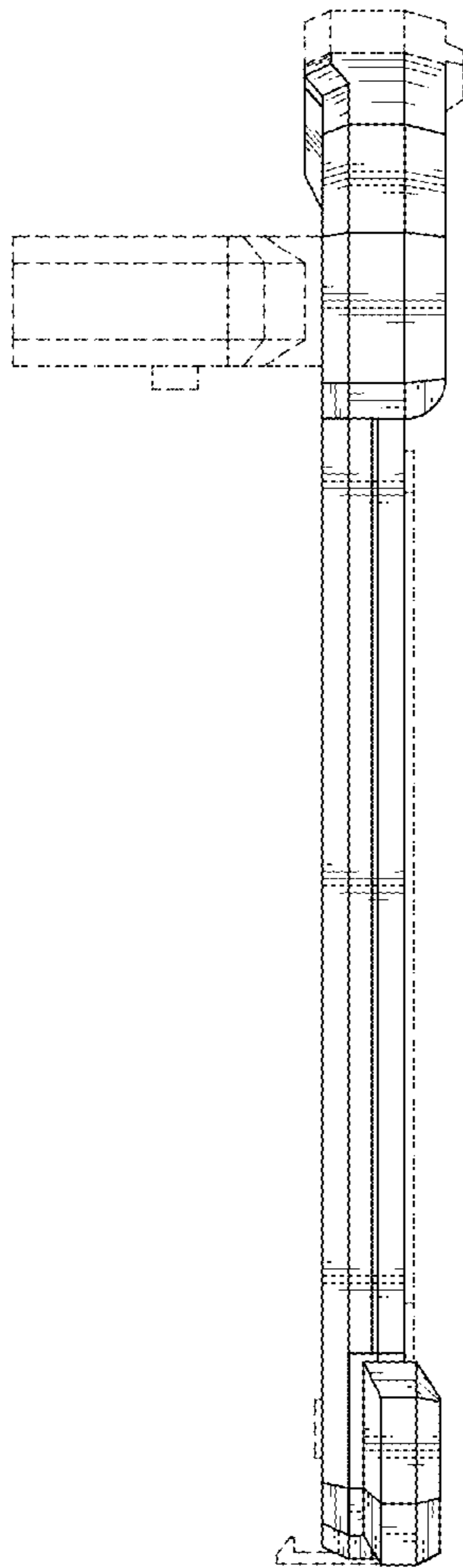


FIG. 8

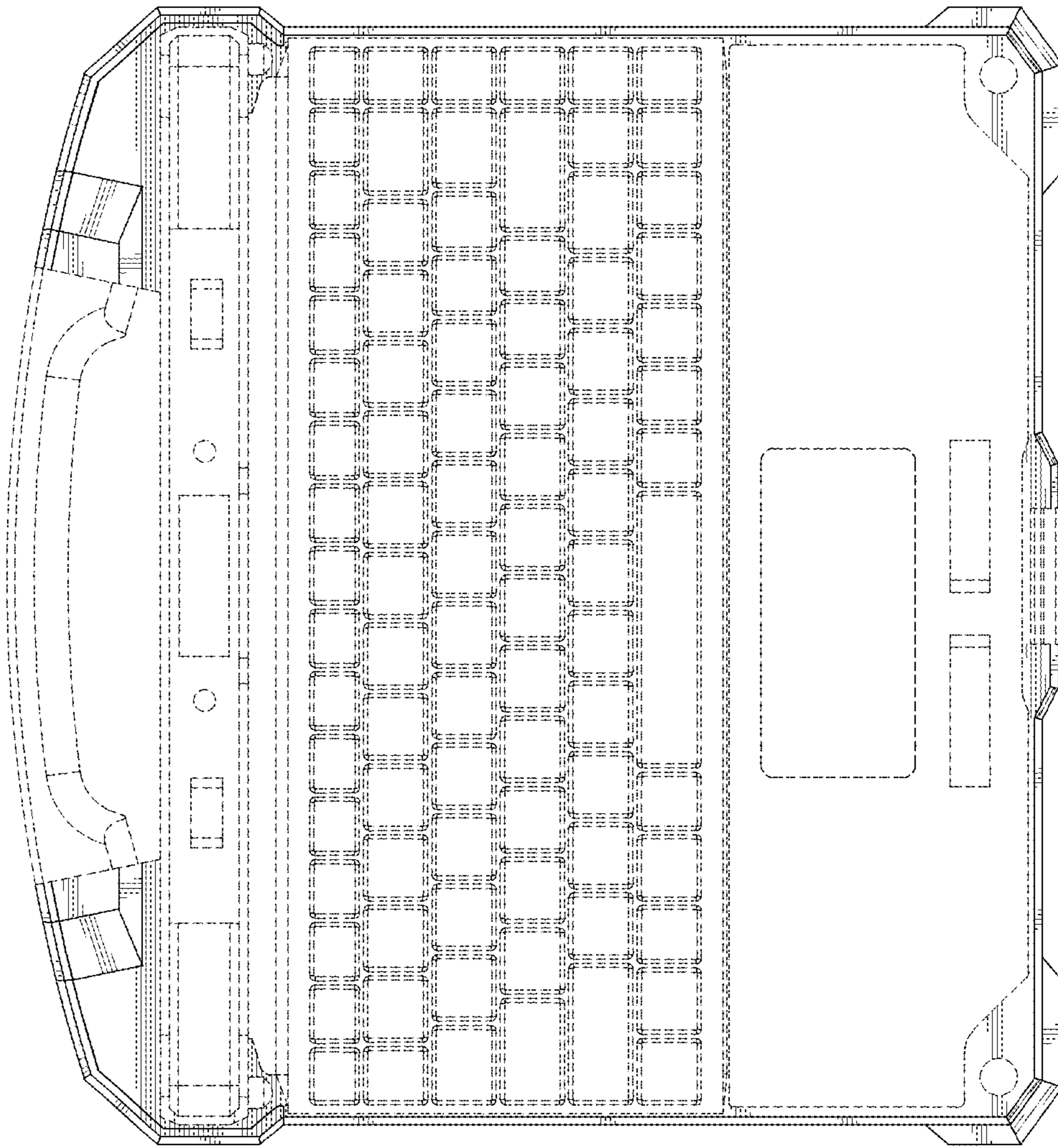


FIG. 9

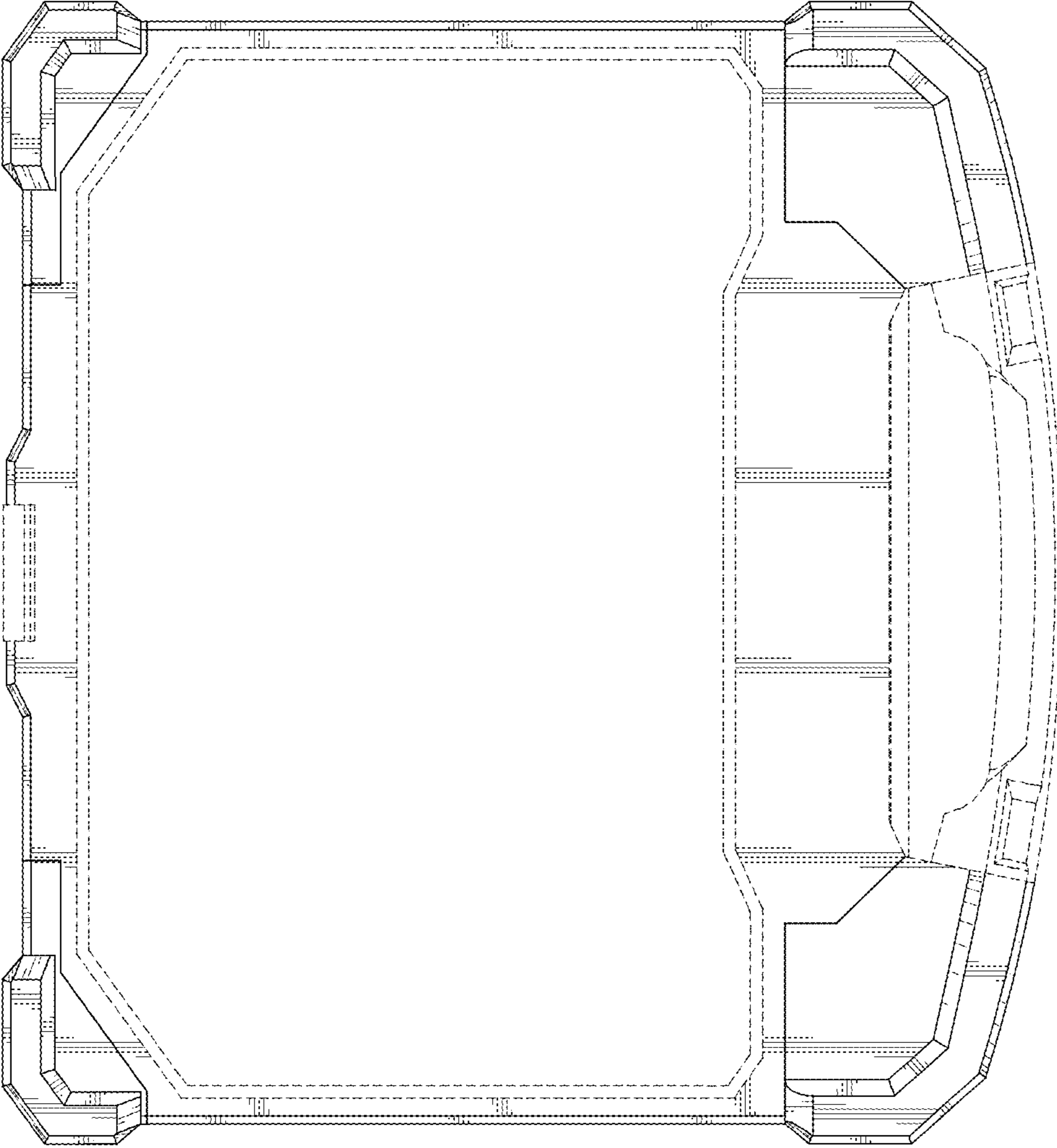


FIG. 10