



US00D926759S

(12) **United States Design Patent** (10) **Patent No.:** **US D926,759 S**
Pasquali (45) **Date of Patent:** **** Aug. 3, 2021**

(54) **IDENTIFICATION/ACCESS SUPPORT**

(71) Applicant: **SLUX Sagl**, Riva San Vitale (CH)

(72) Inventor: **Alessandro Pasquali**, Riva San Vitale (CH)

(73) Assignee: **SLUX Sagl**, Riva San Vitale (CH)

(**) Term: **15 Years**

(21) Appl. No.: **29/645,635**

(22) Filed: **Apr. 27, 2018**

(30) **Foreign Application Priority Data**

Oct. 30, 2017 (CH) 2017-00651

(51) **LOC (13) Cl.** **14-02**

(52) **U.S. Cl.**
USPC **D14/383**

(58) **Field of Classification Search**
USPC D14/356-358, 383-385, 420, 426, 427,
D14/432-439, 447, 453, 454, 217, 253,
(Continued)

(56) **References Cited**

U.S. PATENT DOCUMENTS

D627,153 S * 11/2010 Schmidt D3/207
D695,741 S * 12/2013 Wang D14/411
(Continued)

Primary Examiner — Austin Murphy

(74) *Attorney, Agent, or Firm* — Underwood & Associates, LLC

(57) **CLAIM**

The ornamental design for an identification/access support, as shown and described.

DESCRIPTION

FIG. 1 is a perspective view of an identification/access support according to a first embodiment;

FIG. 2 is a top view thereof;

FIG. 3 is a front view thereof; and

FIG. 4 is a right view thereof.

In this first embodiment, the bottom view is a mirror image of the top view and the back view is a mirror image of the front view.

FIG. 5 is a perspective view of an identification/access support according to a second embodiment;

FIG. 6 is a top view thereof and includes a disclaimed reference of an axial view direction; and

FIG. 7 is a right view thereof.

In this second embodiment, the views of the claimed portions of the identification/access support axial to the long axis thereof, as illustrated, are equivalent to the top view.

FIG. 8 is a perspective view of an identification/access support according to a third embodiment;

FIG. 9 is a top view thereof; and

FIG. 10 is a right view thereof.

In this third embodiment, the views of the claimed portions of the identification/access support axial to the long axis thereof are equivalent to the top view.

FIG. 11 is a perspective view of an identification/access support according to a fourth embodiment;

FIG. 12 is a top view thereof; and

FIG. 13 is a right view thereof.

In this fourth embodiment, the views of the claimed portions of the identification/access support axial to the long axis thereof are equivalent to the top view.

FIG. 14 is a perspective view of an identification/access support according to a fifth embodiment;

FIG. 15 is a top view thereof; and

FIG. 16 is a right view thereof.

In this fifth embodiment, the back view is a mirror image of the top view.

FIG. 17 is a perspective view of an identification/access support according to a sixth embodiment;

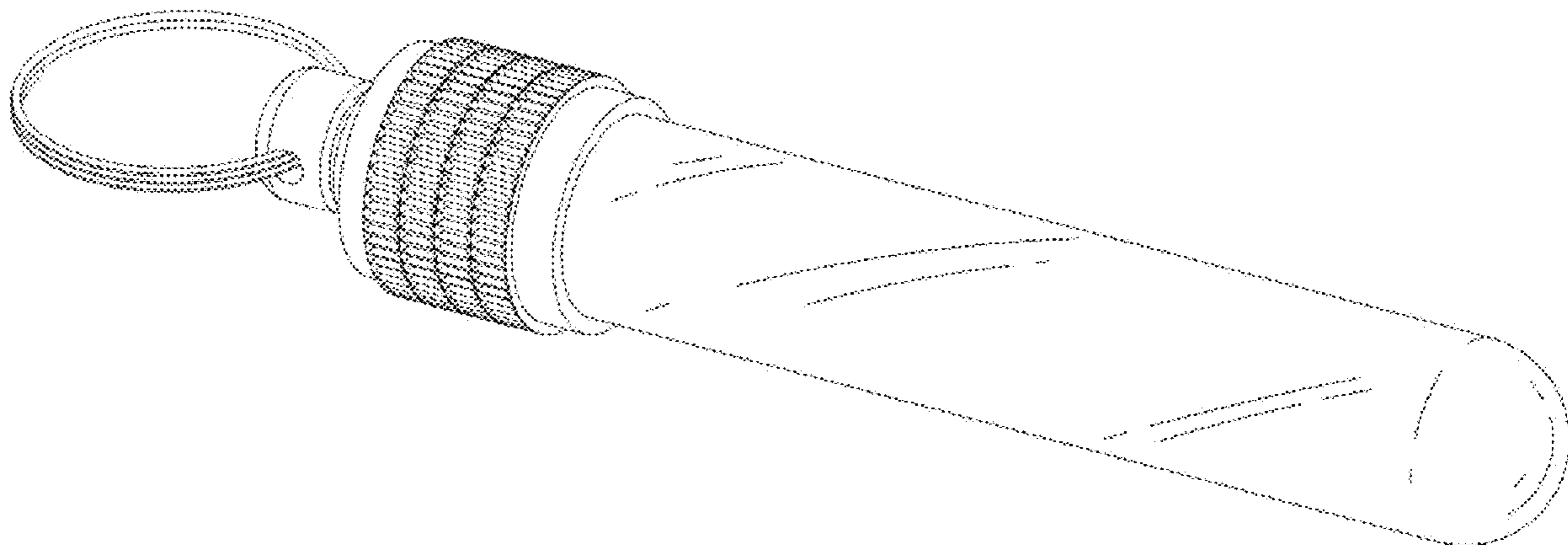
FIG. 18 is a front view thereof; and,

FIG. 19 is a right view thereof.

In this embodiment, the back view is a mirror image of the front view.

In all embodiments, the portions illustrated in broken lines on the figures are for illustrative purposes only and form no part of the claimed design. For any embodiment referencing

(Continued)



an axial view as described above, the axial view is from the perspective as illustrated in FIG. 6.

1 Claim, 19 Drawing Sheets

(58) Field of Classification Search

USPC D14/299, 307; D13/107, 108, 133, 146,
D13/147, 152, 154, 156, 158, 162, 162.1,
D13/168, 173, 177, 102; 235/441, 451,
235/492, 380, 439, 375; 361/679.31, 600,
361/679.01, 679.02

CPC G07C 9/00103; G07C 9/00039; G07C
9/00904; G06K 5/00; G06K 7/01

See application file for complete search history.

(56) References Cited

U.S. PATENT DOCUMENTS

D709,886 S * 7/2014 Lin D14/411
D754,129 S * 4/2016 Kao D14/411
D758,988 S * 6/2016 An D14/138 R
D776,117 S * 1/2017 Rong D14/411
D786,872 S * 5/2017 Akers, Jr. D14/411
D814,466 S * 4/2018 Saari D14/383
D876,433 S * 2/2020 Lu D14/383
D876,434 S * 2/2020 Lu D14/383

* cited by examiner

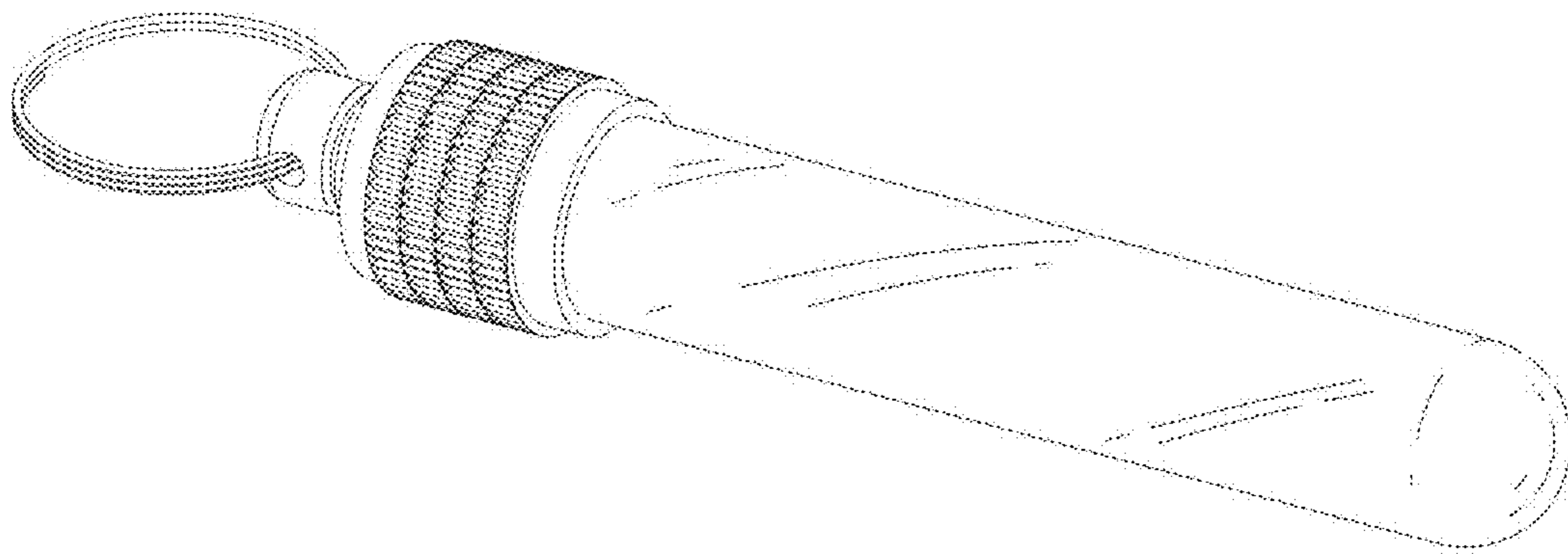


FIG. 1

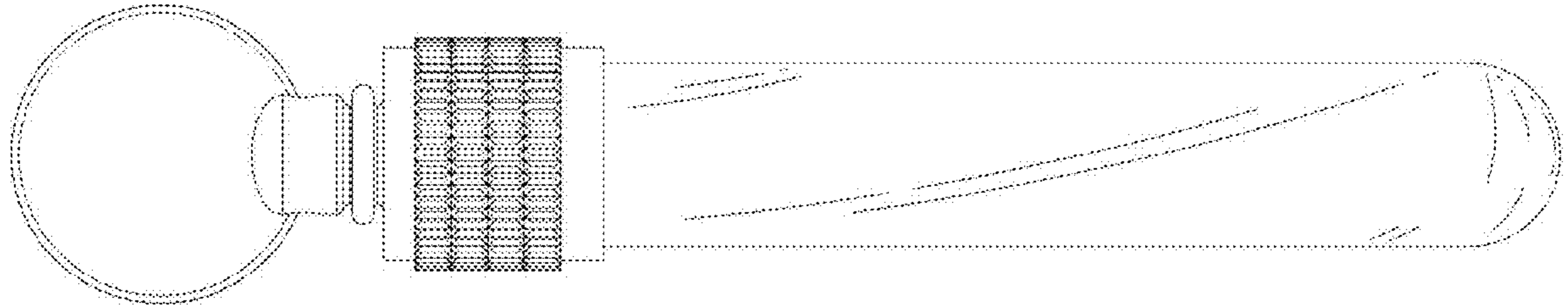


FIG. 2

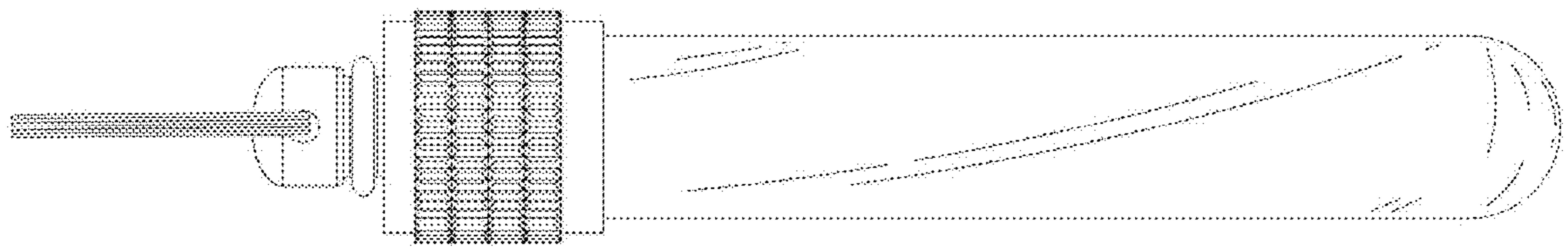


FIG. 3

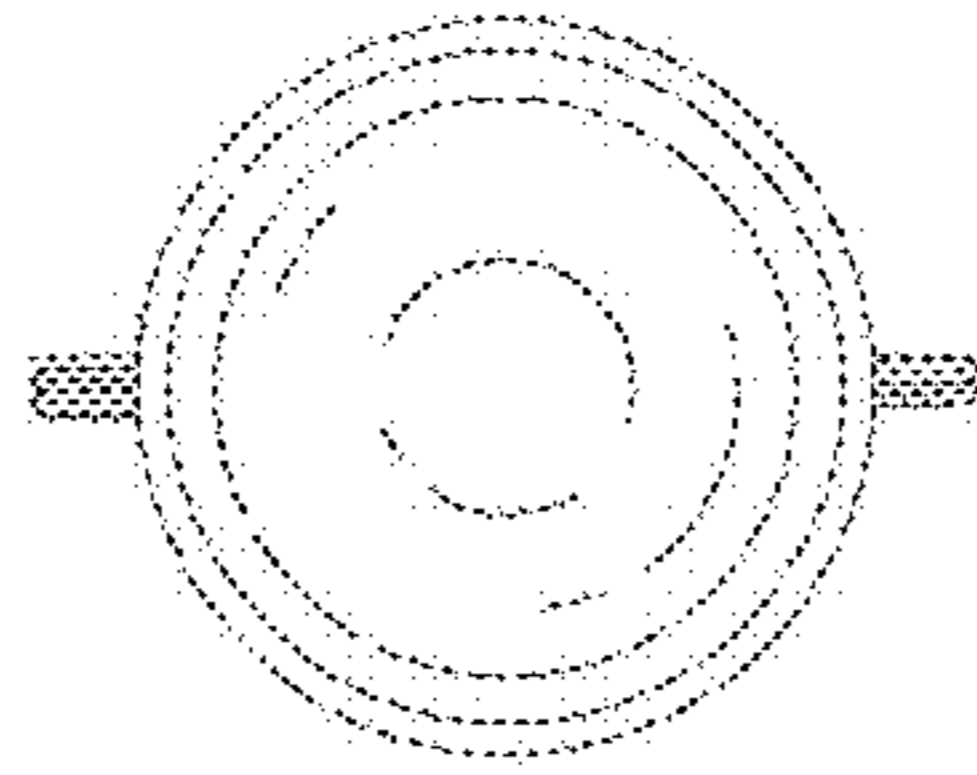


FIG. 4

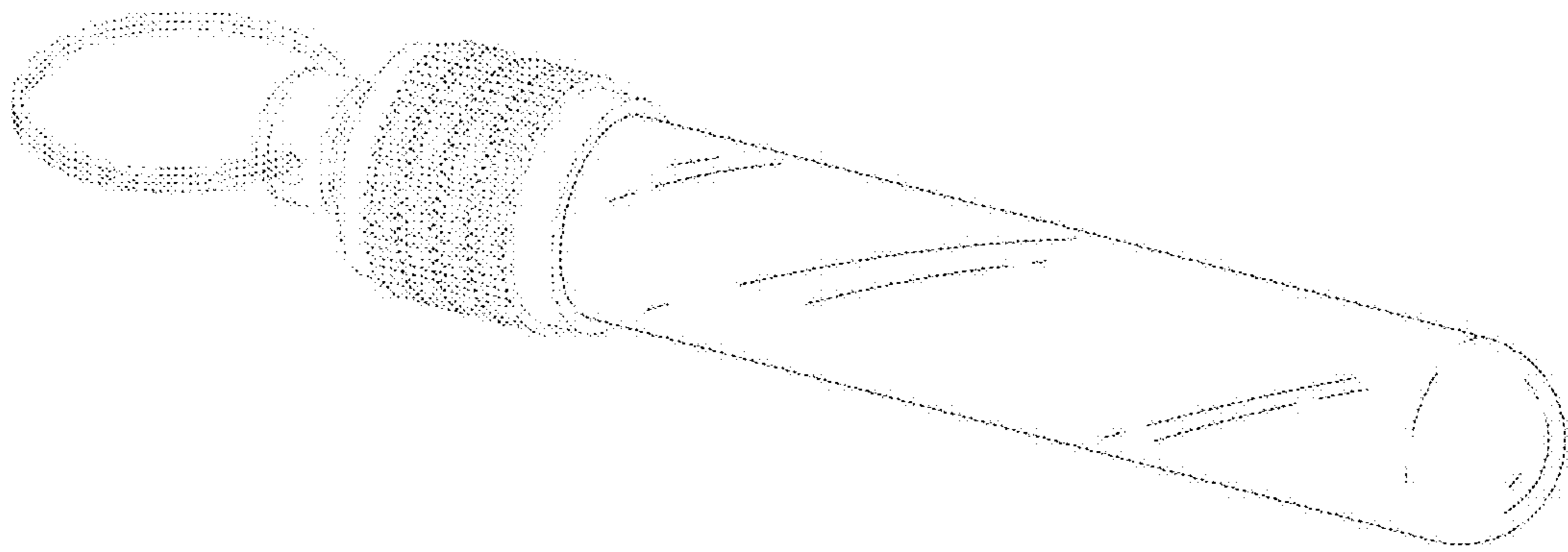


FIG. 5

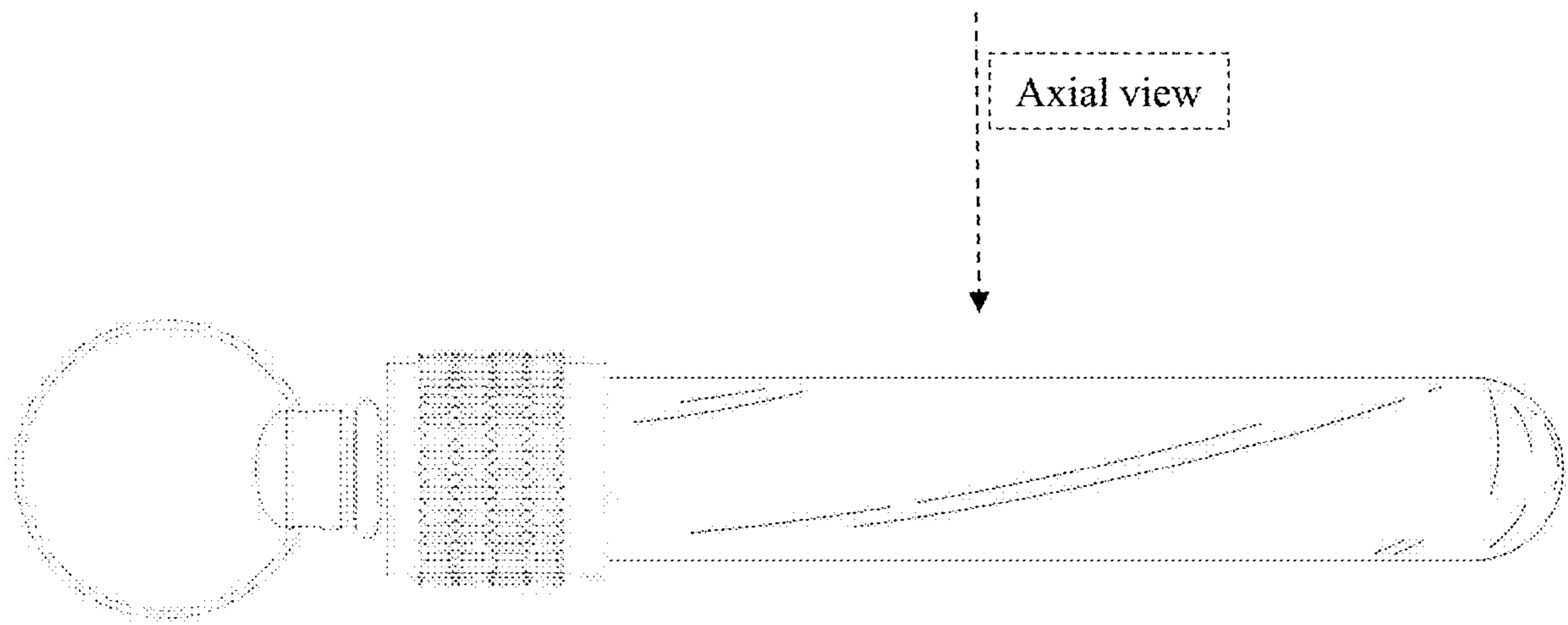


FIG. 6

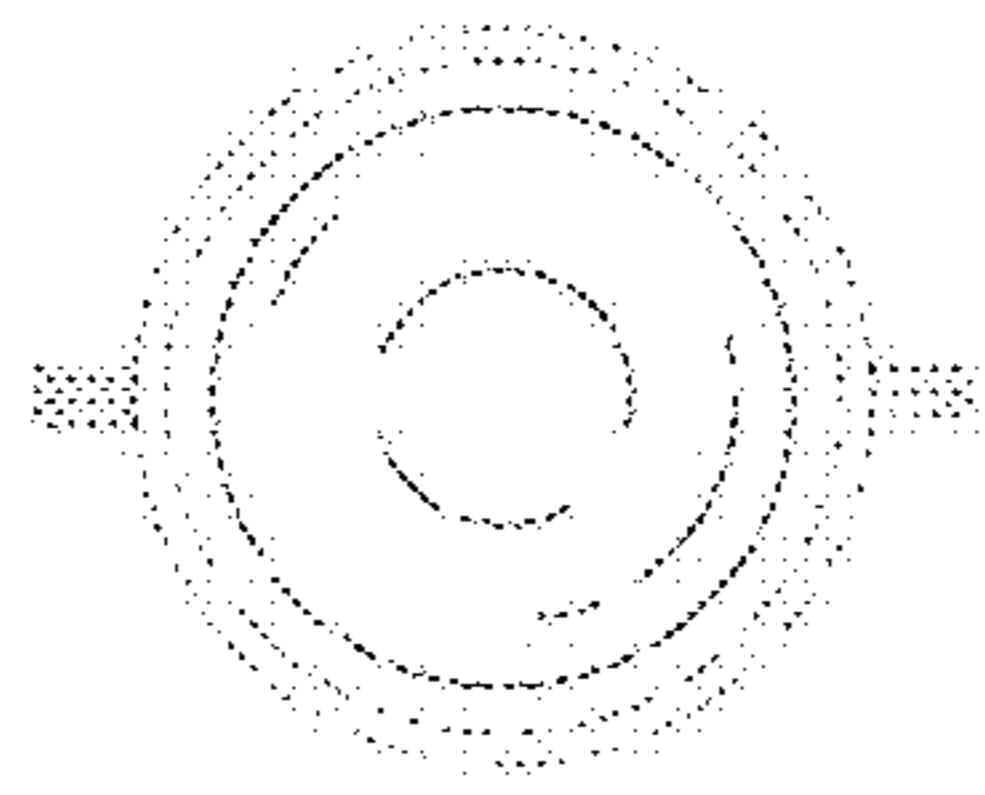


FIG. 7

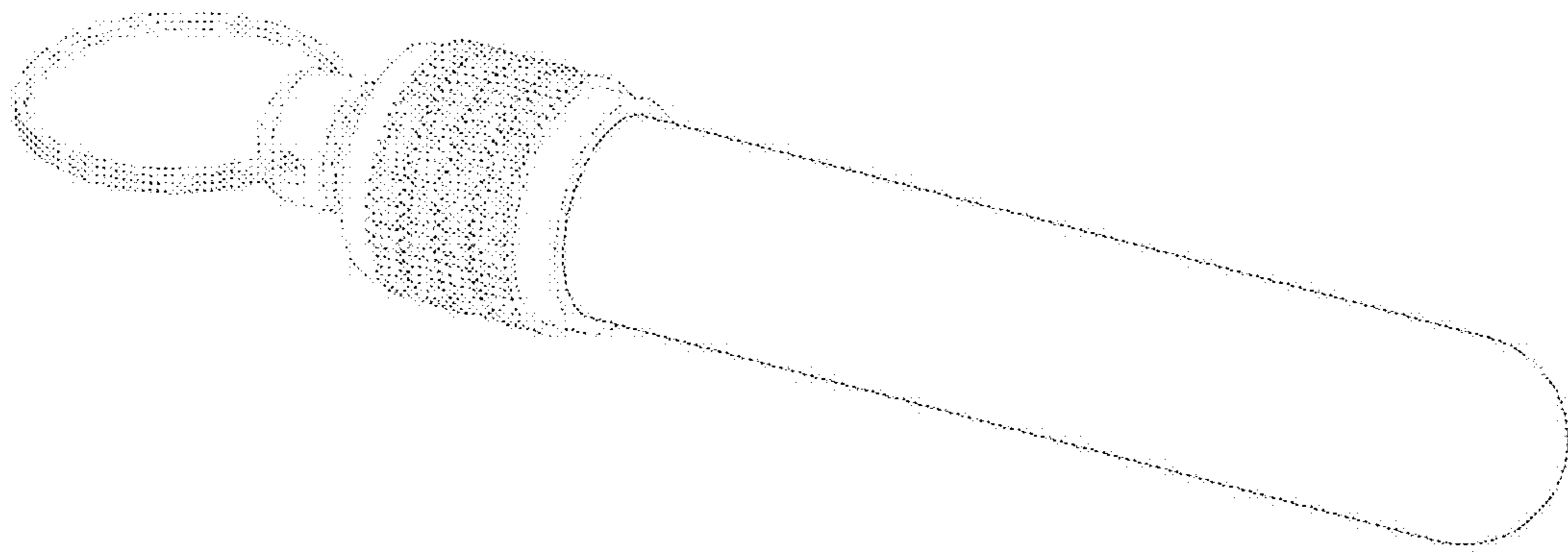


FIG. 8

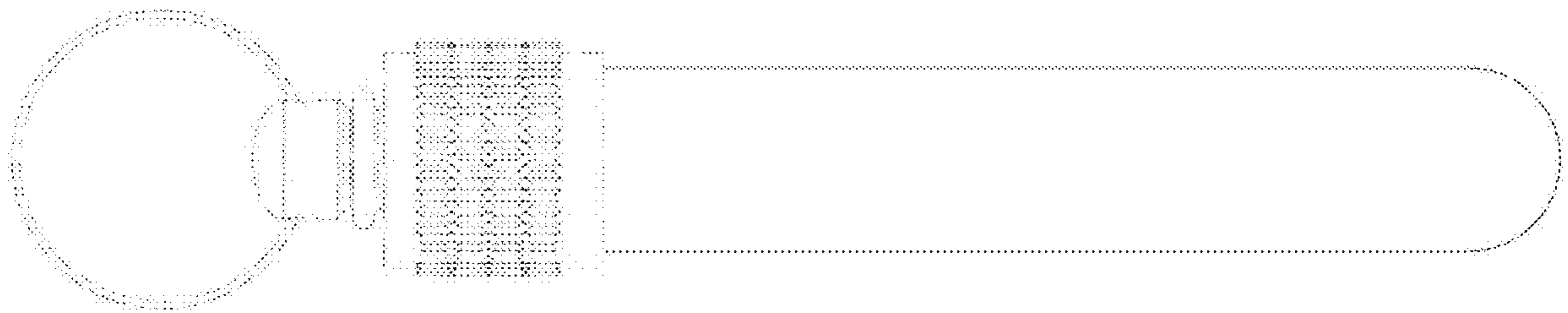


FIG. 9

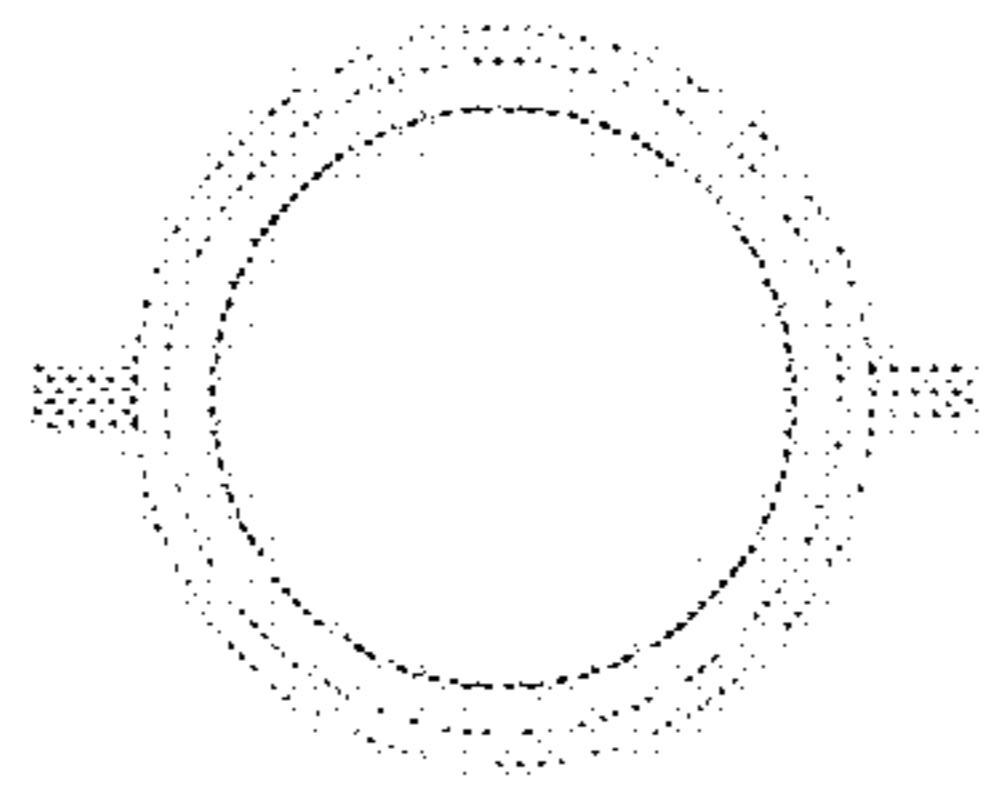


FIG. 10

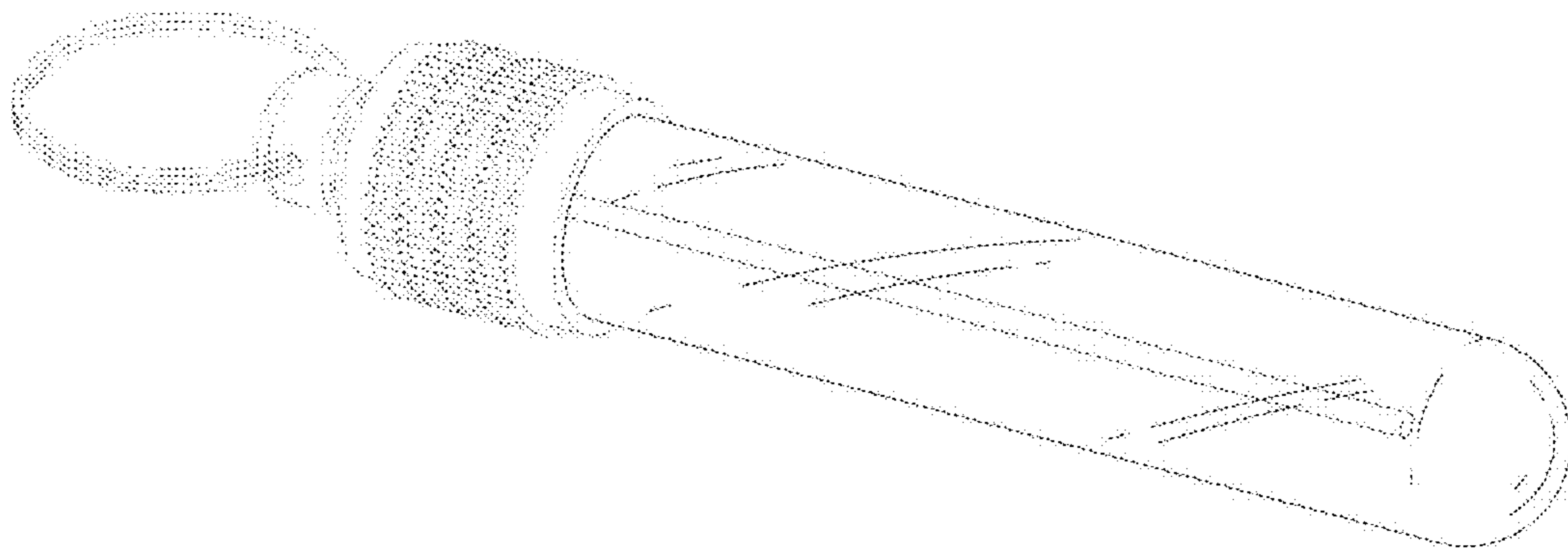


FIG. 11

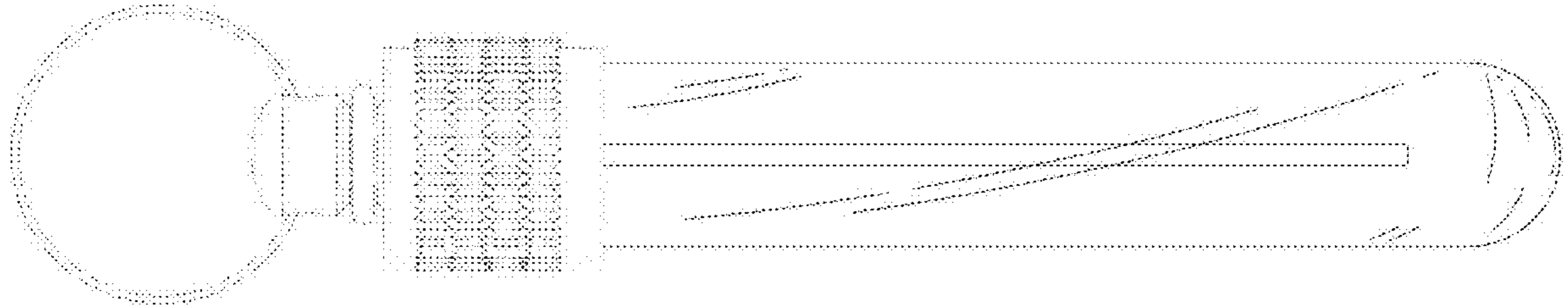


FIG. 12

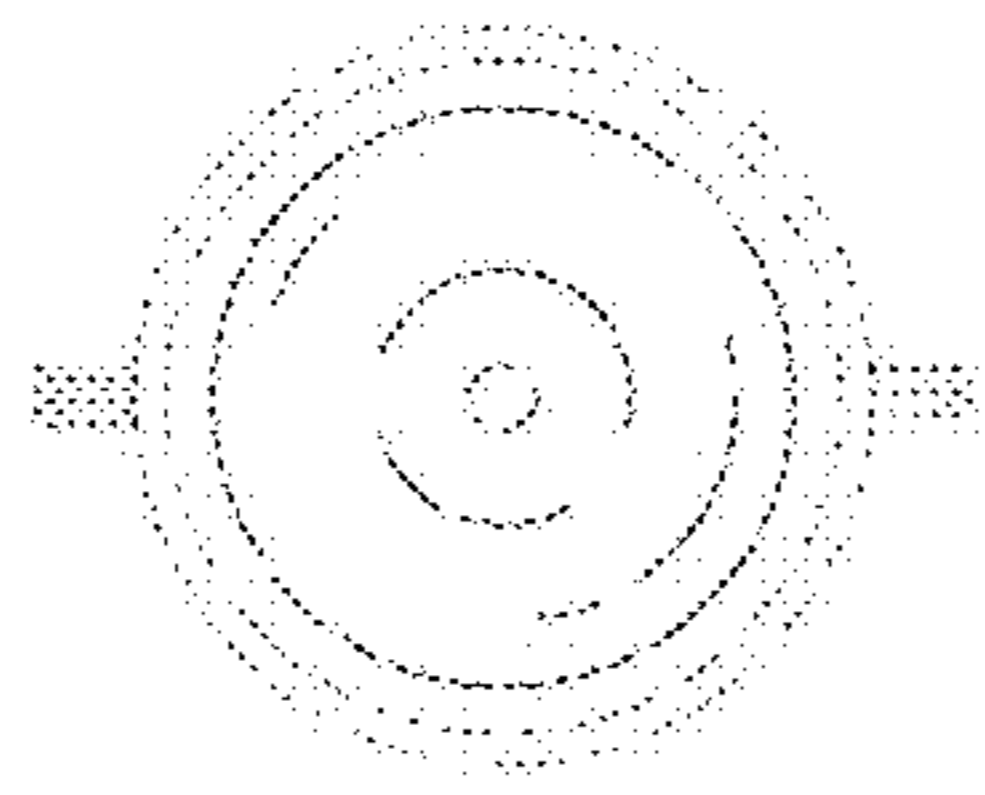


FIG. 13

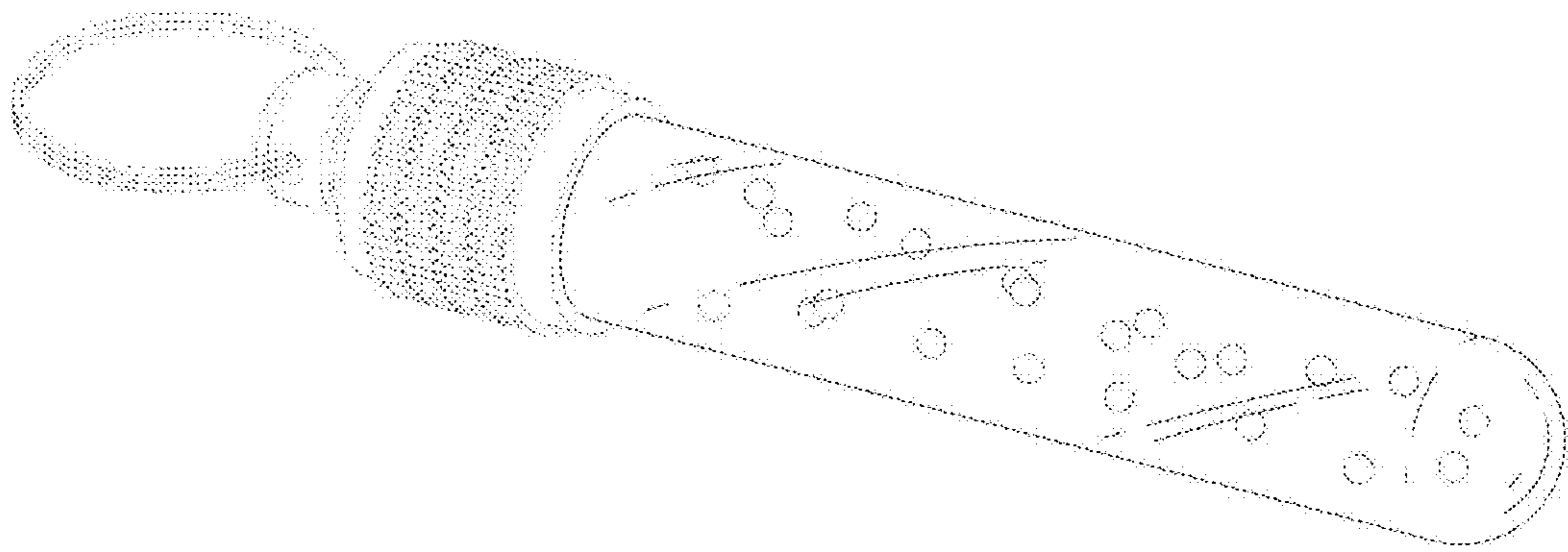


FIG. 14

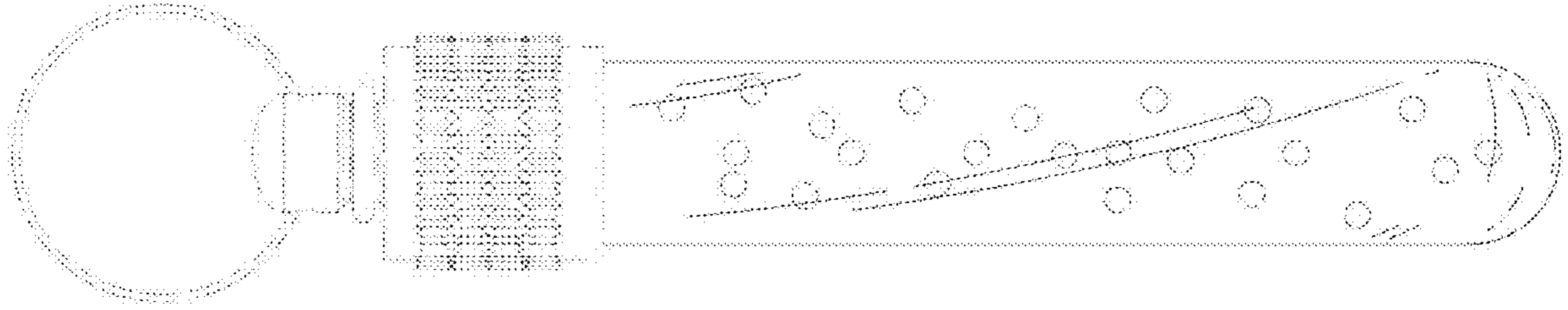


FIG. 15

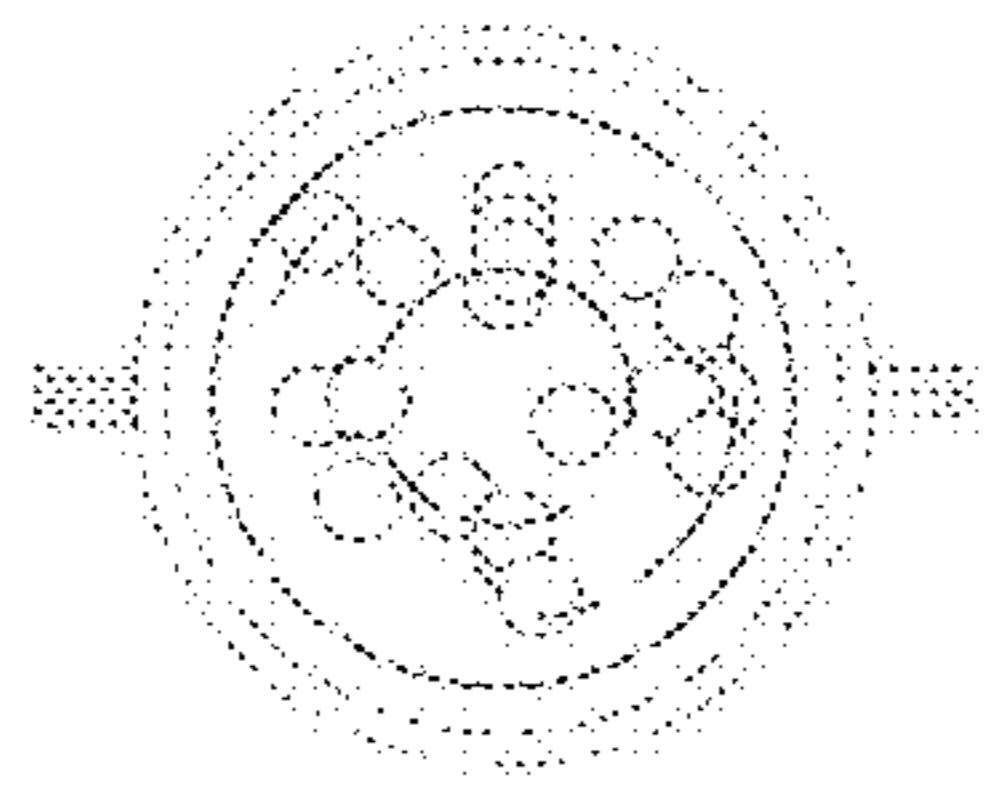


FIG. 16

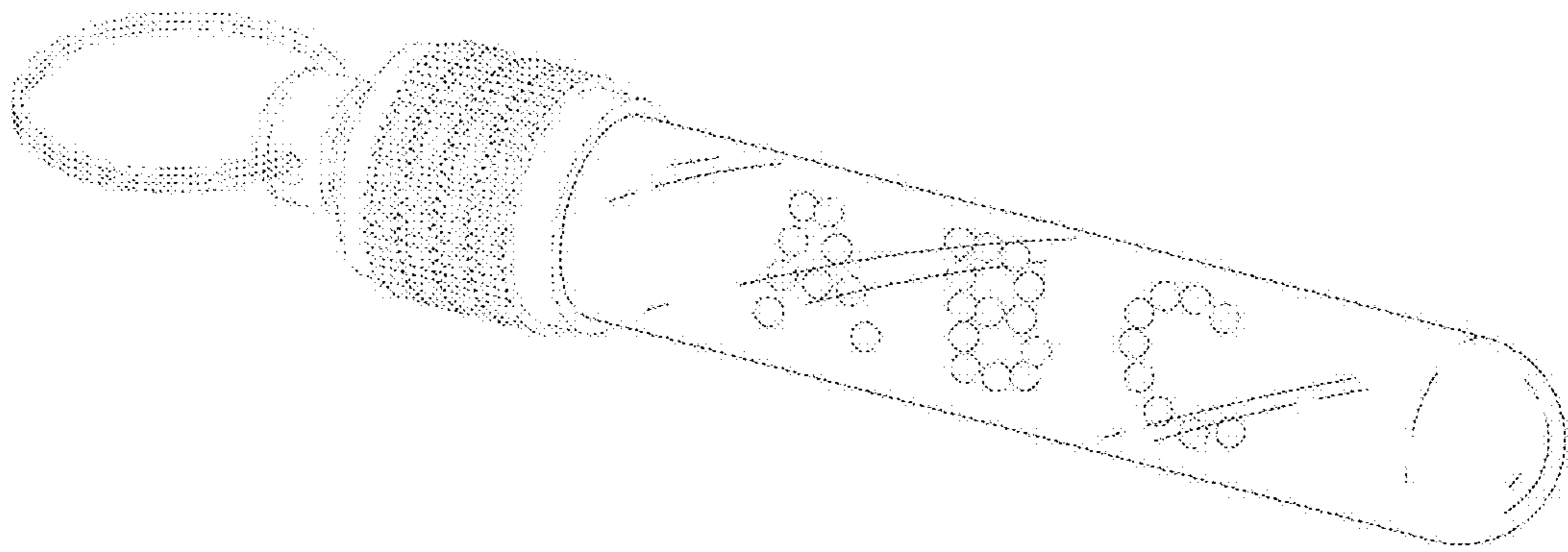


FIG. 17

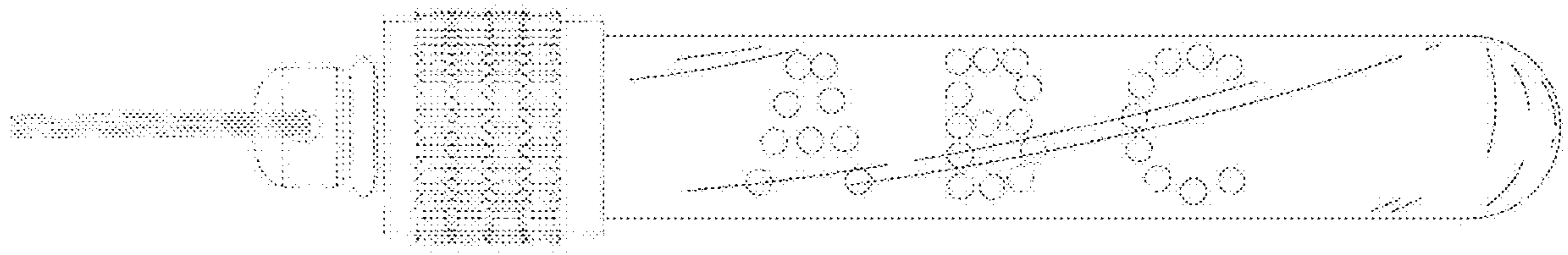


FIG. 18

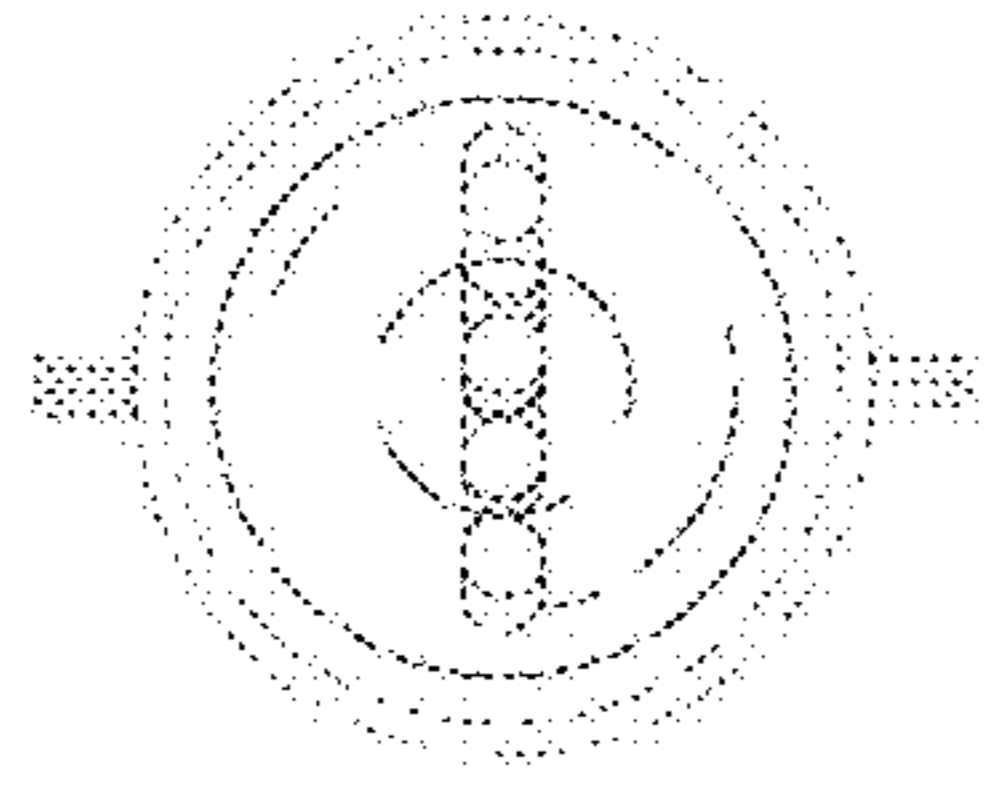


FIG. 19