



US00D926753S

(12) **United States Design Patent** (10) **Patent No.:** **US D926,753 S**
Wu (45) **Date of Patent:** **** Aug. 3, 2021**

(54) **SMARTWATCH**

FOREIGN PATENT DOCUMENTS

(71) Applicant: **SHENZHEN DO INTELLIGENT TECHNOLOGY CO., LTD.**, Guangdong (CN)

CN 202030450941.1 * 8/2020

(72) Inventor: **Dajun Wu**, Guangdong (CN)

(73) Assignee: **SHENZHEN DO INTELLIGENT TECHNOLOGY CO., LTD.**, Shenzhen (CN)

OTHER PUBLICATIONS
DO ID205U IP68 waterproof electronic fitness tracker, alibaba.com, [online], [site visited Jan. 27, 2021], Available from internet URL:https://www.alibaba.com/product-detail/DO-ID205U-IP68-waterproof-electronic-fitness_62022027377.html?spm=a2700.shop_pl.41413.24.42d595bd8%E2%80%A6 (Year: 2021).*

(**) Term: **15 Years**

(Continued)

(21) Appl. No.: **29/699,770**

Primary Examiner — Samantha Q Lawrence

(22) Filed: **Jul. 29, 2019**

Assistant Examiner — Holly M Rodriguez

(30) **Foreign Application Priority Data**

(74) *Attorney, Agent, or Firm* — Leason Ellis LLP

Jun. 10, 2019 (CN) 201930296619.5

(51) **LOC (13) Cl.** **14-02**

(57) **CLAIM**

(52) **U.S. Cl.**

The ornamental design for a smartwatch, as shown and described.

USPC **D14/341**; D14/344

(58) **Field of Classification Search**

DESCRIPTION

USPC ... D14/126-130, 138, 138 R, 144, 300, 341, D14/344, 358, 388, 485-495, 218; D10/30-39, 40, 41, 46, 70, 79, 98, 106.5, D10/106.6, 106.92, 106.94, 114.6, 123, D10/125-128, 131; D11/1-4, 26, 40-41, D11/93, 94, 78.1, 79, 86; D24/167-169, D24/186-187, 164; D21/324-329
CPC A41D 1/002; A41D 19/0034; G06F 1/08; G06F 1/10; G06F 1/14; G06F 1/1626; G06F 1/1628; G06F 1/163; G06F 1/1635; G06F 1/3203; G06F 1/1613; G06F 2200/1633;

FIG. 1 is a front perspective view of a smartwatch in accordance with the present invention;
FIG. 2 is another front perspective view of the smartwatch in FIG. 1;
FIG. 3 is a rear perspective view thereof;
FIG. 4 is a front view thereof;
FIG. 5 is a rear view thereof;
FIG. 6 is a right side view thereof;
FIG. 7 is a left side view thereof;
FIG. 8 is a top plan view thereof; and,
FIG. 9 is a bottom plan view thereof.

(Continued)

The broken lines shown on the rear of the smartwatch in FIGS. 2 and 5 illustrate environmental structure and form no part of the claimed design. The additional broken lines shown on the band of the smartwatch in FIGS. 1-5 illustrate portions of the smartwatch that form no part of the claimed design.

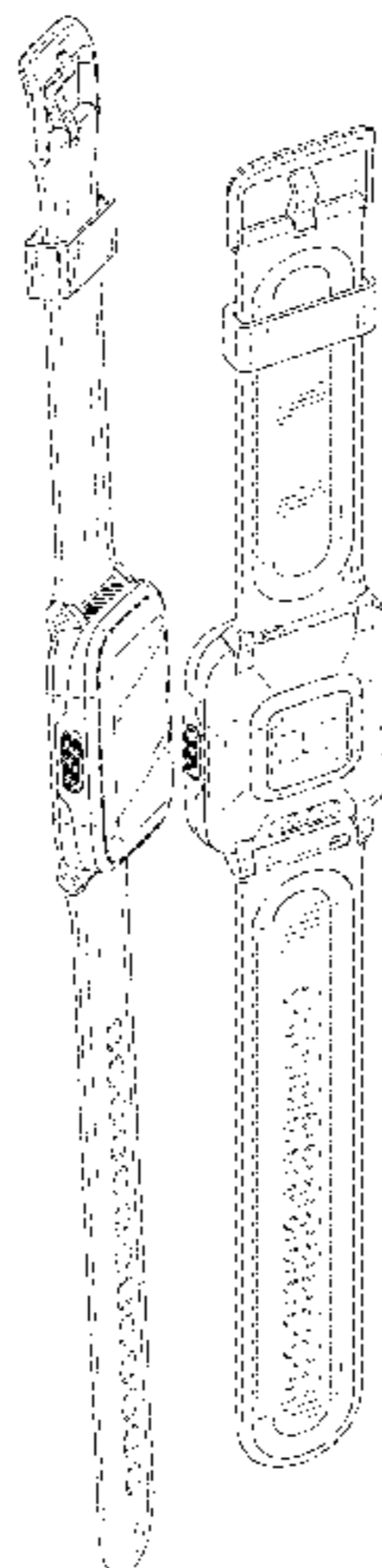
(56) **References Cited**

U.S. PATENT DOCUMENTS

D771,036 S * 11/2016 Akana D14/344
D828,352 S * 9/2018 Akana D14/344

(Continued)

1 Claim, 9 Drawing Sheets



(58) **Field of Classification Search**

CPC G06F 3/0488; G06F 3/04886; G06F 3/044;
G06F 3/0412; G06F 3/0416; G06Q 20/10;
G06Q 20/12; G06Q 20/108; G06Q
20/145; H04B 1/3833; H04B 1/385;
H04B 1/3888; H04M 1/02; H04M 1/03;
H04M 1/04; H04M 1/05; H04M 1/667;
H04M 1/6058; Y02B 60/1217

See application file for complete search history.

(56)

References Cited

U.S. PATENT DOCUMENTS

D837,206 S * 1/2019 Guan D14/344
D839,753 S * 2/2019 Domke D10/30
D852,648 S * 7/2019 Chen D10/32
D854,432 S * 7/2019 Akana D10/70
D869,461 S * 12/2019 Ke D14/344

D876,244 S * 2/2020 Park D10/32
D883,977 S * 5/2020 Akana D14/344
D900,809 S * 11/2020 Gao D14/344
D900,810 S * 11/2020 Ke D14/344
D901,493 S * 11/2020 Gao D14/344

OTHER PUBLICATIONS

AIKELA Smart Watch Fitness Tracker, first available Oct. 29, 2020, amazon.com, [online], [site visited Jan. 21, 2021], Available from internet URL: https://www.amazon.com/dp/B08L91GVTR/ref=sspa_dk_detail_6?psc=1&pd_rd_i=B08L91GVTR&pd_rd_w=JpAWz&pf_rd_p=45e679f6-d55f-4626-9%E2%80%A6 (Year: 2020).*

Design U.S. Appl. No. 29/699,899, "Smadwatch", filed Jul. 30, 2019.

Design U.S. Appl. No. 29/721,651, "Smartwatch", filed Jan. 22, 2020.

* cited by examiner

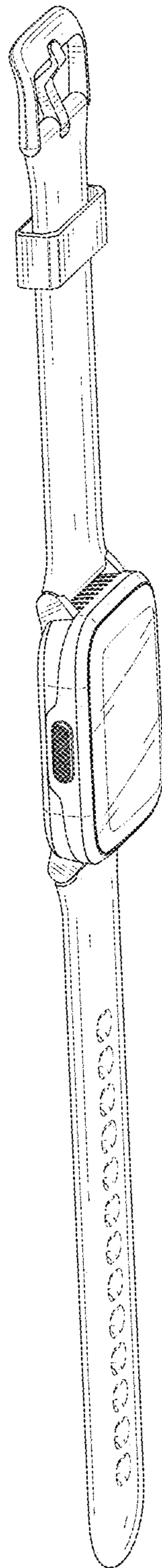


FIG. 1

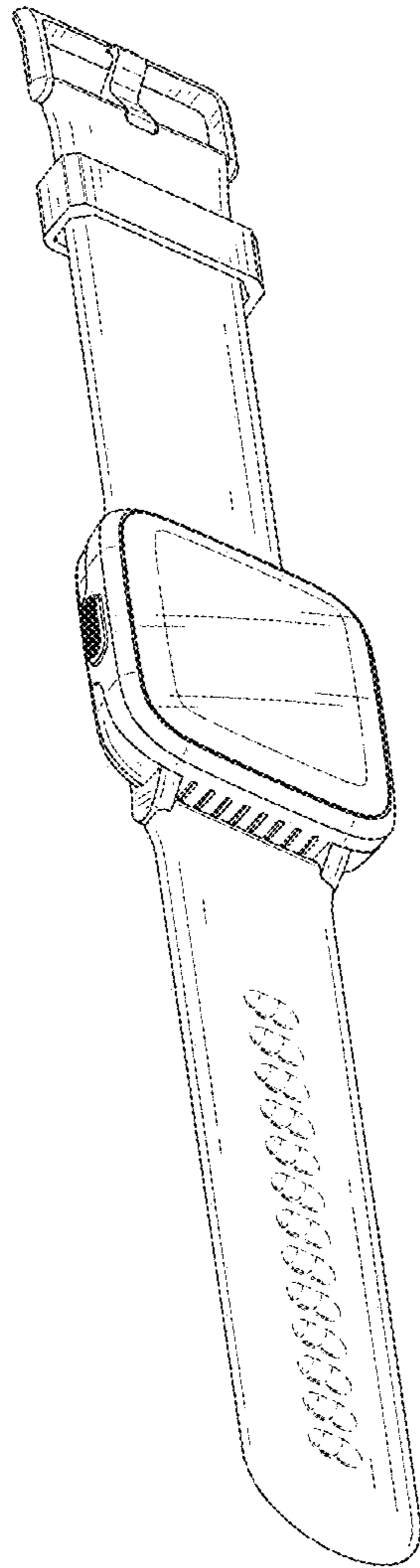


FIG. 2

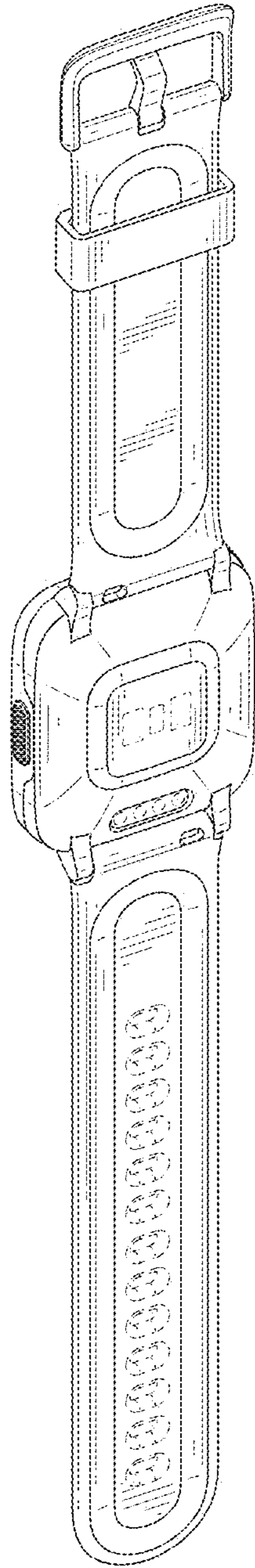


FIG. 3

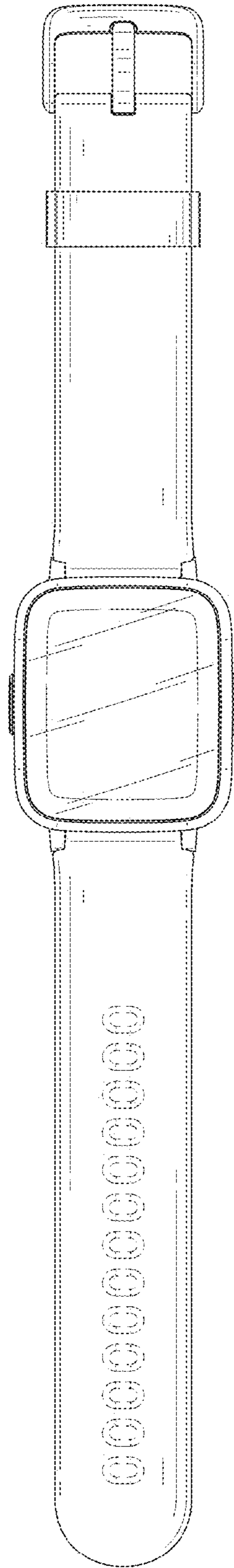


FIG. 4

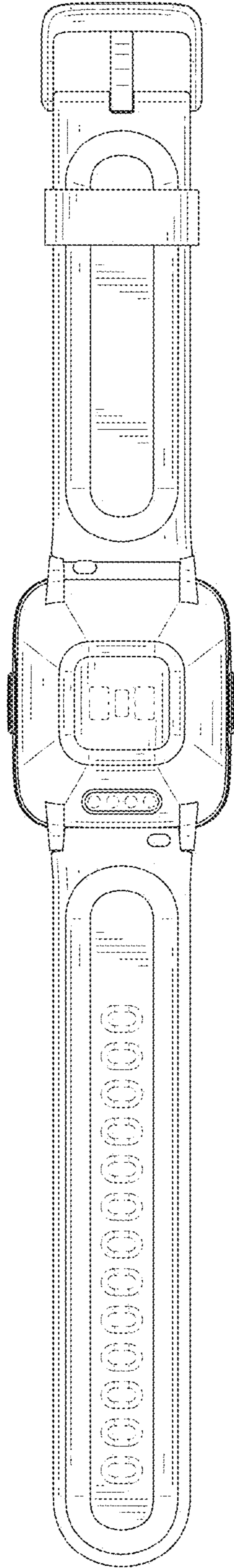


FIG. 5



FIG. 6

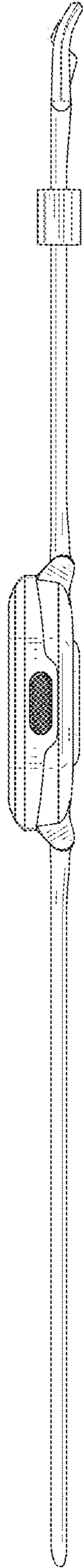


FIG. 7

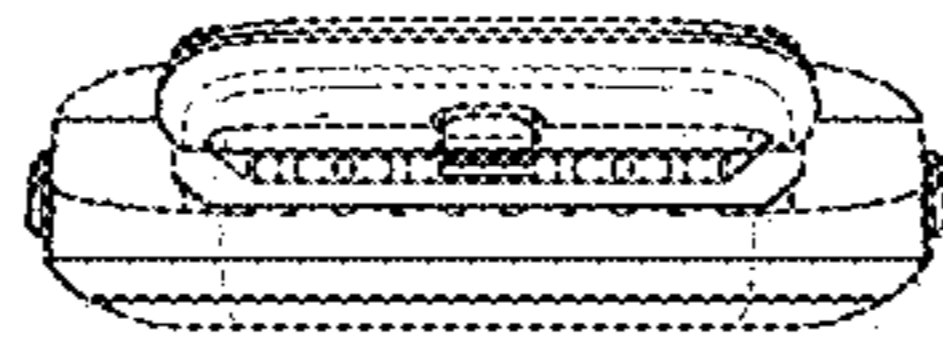


FIG. 8



FIG. 9