



US00D926750S

(12) **United States Design Patent** (10) **Patent No.:** **US D926,750 S**
Akana et al. (45) **Date of Patent:** **** Aug. 3, 2021**

(54) **ELECTRONIC DEVICE**

(71) Applicant: **Apple Inc.**, Cupertino, CA (US)

(72) Inventors: **Jody Akana**, San Francisco, CA (US); **Molly Anderson**, San Francisco, CA (US); **Bartley K. Andre**, Palo Alto, CA (US); **Shota Aoyagi**, San Francisco, CA (US); **Anthony Michael Ashcroft**, San Francisco, CA (US); **Marine C. Bataille**, San Francisco, CA (US); **Jeremy Bataillou**, San Francisco, CA (US); **Abidur Chowdhury**, San Francisco, CA (US); **Markus Diebel**, San Francisco, CA (US); **Daniele De Iuliis**, San Francisco, CA (US); **M. Evans Hankey**, San Francisco, CA (US); **Julian Hoenig**, San Francisco, CA (US); **Richard P. Howarth**, San Francisco, CA (US); **Jonathan P. Ive**, San Francisco, CA (US); **Julian Jaede**, San Francisco, CA (US); **Duncan Robert Kerr**, San Francisco, CA (US); **Peter Russell-Clarke**, San Francisco, CA (US); **Benjamin Andrew Shaffer**, San Jose, CA (US); **Mikael Silvano**, San Francisco, CA (US); **Joe Sung-Ho Tan**, San Francisco, CA (US); **Clement Tissandier**, San Francisco, CA (US); **Eugene Antony Whang**, San Francisco, CA (US); **Rico Zörkendörfer**, San Francisco, CA (US)

(73) Assignee: **Apple Inc.**, Cupertino, CA (US)

(**) Term: **15 Years**

(21) Appl. No.: **29/693,347**

(22) Filed: **May 31, 2019**

(51) **LOC (13) Cl.** **14-02**

(52) **U.S. Cl.**
USPC **D14/314**

(58) **Field of Classification Search**

USPC D14/314, 316, 140.1, 140.2, 240, 242, D14/301-302, 308, 348-349, 351-359, (Continued)

(56) **References Cited**

U.S. PATENT DOCUMENTS

1,737,971 A * 12/1929 Law A47B 47/027
211/182
3,187,901 A * 6/1965 Wilson F24B 15/00
211/49.1

(Continued)

FOREIGN PATENT DOCUMENTS

CN 303605330 3/2016
CN 305904728 * 7/2020

(Continued)

OTHER PUBLICATIONS

Mac Pro Display XDR, Apple, techradar.com, published by Matt Swider on Apr. 1, 2020 © Future US., Inc., online, site visited Jun. 13, 2020. Available at URL: <https://www.techradar.com/news/mac-pro-2019-first-look> (Year: 2020).*

(Continued)

Primary Examiner — Marissa J Cash

Assistant Examiner — Altaira J Swangin

(74) *Attorney, Agent, or Firm* — Saidman DesignLaw Group, LLC

(57) **CLAIM**

The ornamental design for an electronic device, as shown and described.

DESCRIPTION

FIG. 1 is a rear perspective view of an electronic device showing our new design;

FIG. 2 is a front perspective view thereof;

FIG. 3 is a front view thereof;

FIG. 4 is a rear view thereof;

(Continued)

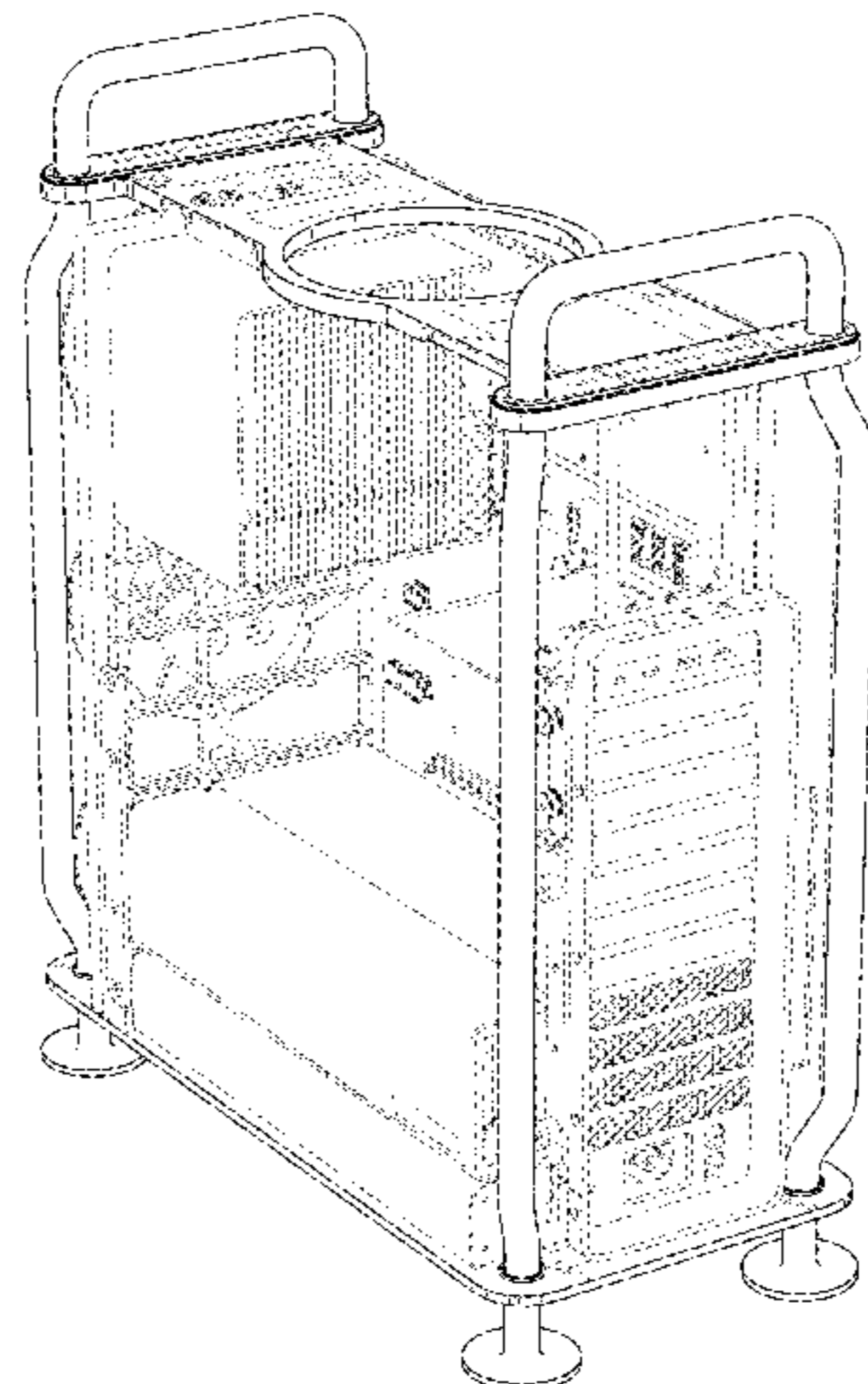


FIG. 5 is a left side view thereof;
 FIG. 6 is a right side view thereof;
 FIG. 7 is a top view thereof; and,
 FIG. 8 is a bottom view thereof.
 The broken lines illustrate portions of the electronic device
 that form no part of the claimed design.

1 Claim, 6 Drawing Sheets

(58) **Field of Classification Search**

USPC D14/440–441, 444, 446, 447; D23/335,
 D23/364–365, 382, 400; D13/162, 184;
 206/706–707, 721–725; 211/134, 182;
 D6/317, 654.11, 654.18; D34/23
 CPC H05K 5/00; H05K 5/0213; H05K 5/03;
 H05K 7/14; H05K 9/00; H05K 7/1487;
 H05K 7/1489; H05K 9/0062; H05K 7/16
 See application file for complete search history.

(56) **References Cited**

U.S. PATENT DOCUMENTS

3,493,725 A * 2/1970 Mackay A47J 39/025
 219/385
 D329,727 S * 9/1992 DeWitt D34/17
 5,190,305 A * 3/1993 Putman B62B 3/10
 211/182
 D341,689 S * 11/1993 Putman D34/17
 5,556,118 A * 9/1996 Kern B62B 3/008
 280/47.16
 D481,385 S * 10/2003 Tanaka D14/308
 D497,163 S * 10/2004 Andre D14/349
 D511,163 S 11/2005 Su et al.
 D527,018 S * 8/2006 Christianson D14/203.8
 7,219,904 B1 * 5/2007 Boom B62B 3/04
 280/47.35
 7,593,223 B2 * 9/2009 Kobayashi G06F 1/20
 312/223.2
 D616,173 S * 5/2010 Tuncel D34/17
 D622,672 S 8/2010 Wu et al.
 8,020,715 B2 * 9/2011 Manzi H05K 7/1488
 211/194
 D671,925 S * 12/2012 Tsuda D14/240
 8,335,085 B2 * 12/2012 Chang G06F 1/181
 361/727
 D717,804 S * 11/2014 Budge D14/447

D756,368 S * 5/2016 Coleman D14/447
 D790,539 S * 6/2017 Lee D14/358
 D826,948 S * 8/2018 Xiao D14/447
 D853,544 S 7/2019 Vu et al.
 10,492,325 B1 * 11/2019 Chai H05K 5/02
 D874,624 S 2/2020 Liu et al.
 10,645,832 B1 * 5/2020 Degner G06F 1/20
 D889,819 S * 7/2020 Feng D3/201
 D895,607 S * 9/2020 Akana D14/314
 D895,608 S 9/2020 Akana et al.
 2007/0272438 A1 * 11/2007 Gilliland H01L 23/467
 174/383
 2009/0034189 A1 * 2/2009 Springer G06F 1/185
 361/690
 2013/0240472 A1 * 9/2013 Preidt A47F 5/00
 211/153
 2020/0100383 A1 * 3/2020 Hershey H05K 7/16

FOREIGN PATENT DOCUMENTS

JP D1163447 1/2003
 JP HC15004383 1/2003
 JP HC1706549200 1/2006
 JP HJ2006351500 2/2009
 JP HC28008445 5/2016
 RU 00120438 * 7/2020

OTHER PUBLICATIONS

Mac Pro, Apple, terminalmadness.com, published by blogger Brainstorm on Jun. 4, 2019 © 2016 Terminal Madness, online, site visited Aug. 7, 2020. Available at URL: <https://terminalmadness.com/index.php/blog/apple-s-new-mac-pro-might-be-the-monster-mac-professionals-have-been-asking-for> (Year: 2019).
 MicroATX PC Case, Cerberus, sliger.com, author not listed, posted on Mar. 7, 2018 per wayback machine © 2017 Sliger Designs LLC, online, site visited Jan. 28, 2020. Available from Internet, URL: <https://www.sliger.com/products/cases/cerberus/> (Year: 2018).
 Mac Pro, Apple, apple.com, author not listed, author and date not listed © not listed, online, site visited Jan. 28, 2020. Available from Internet, URL: <https://www.apple.com/mac-pro/> (Year: 2020).
 R4x5 Series Compact industrial Server Chassis, Yeong Yang, yycase.com, author and date not listed © Yeong Yang, online, site visited Jan. 28, 2020. Available from Internet, URL: <https://www.yycase.com/Tower-Server-Chassis-R4x5-Series.html> (Year: 2020).
 MicroATX PC Case, Cerberus, sliger.com, author not listed, posted on Mar. 7, 2018 per wayback machine © 2017 Sliger Designs LLC, online, site visited Jan. 28, 2020. Available from Internet, URL: <https://www.sliger.com/products/cases/cerberus/> (Year: 2018).

* cited by examiner

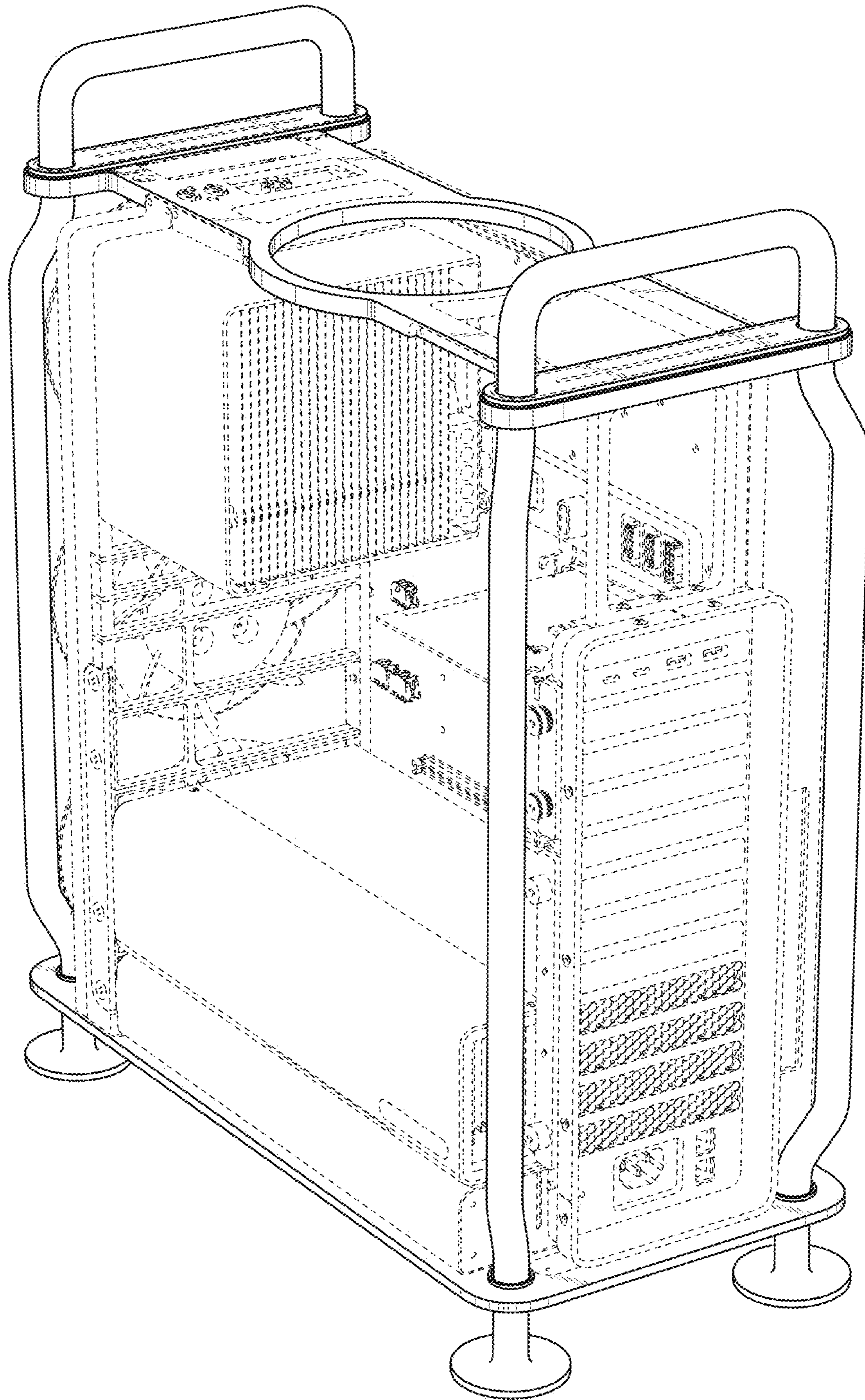


FIG. 1

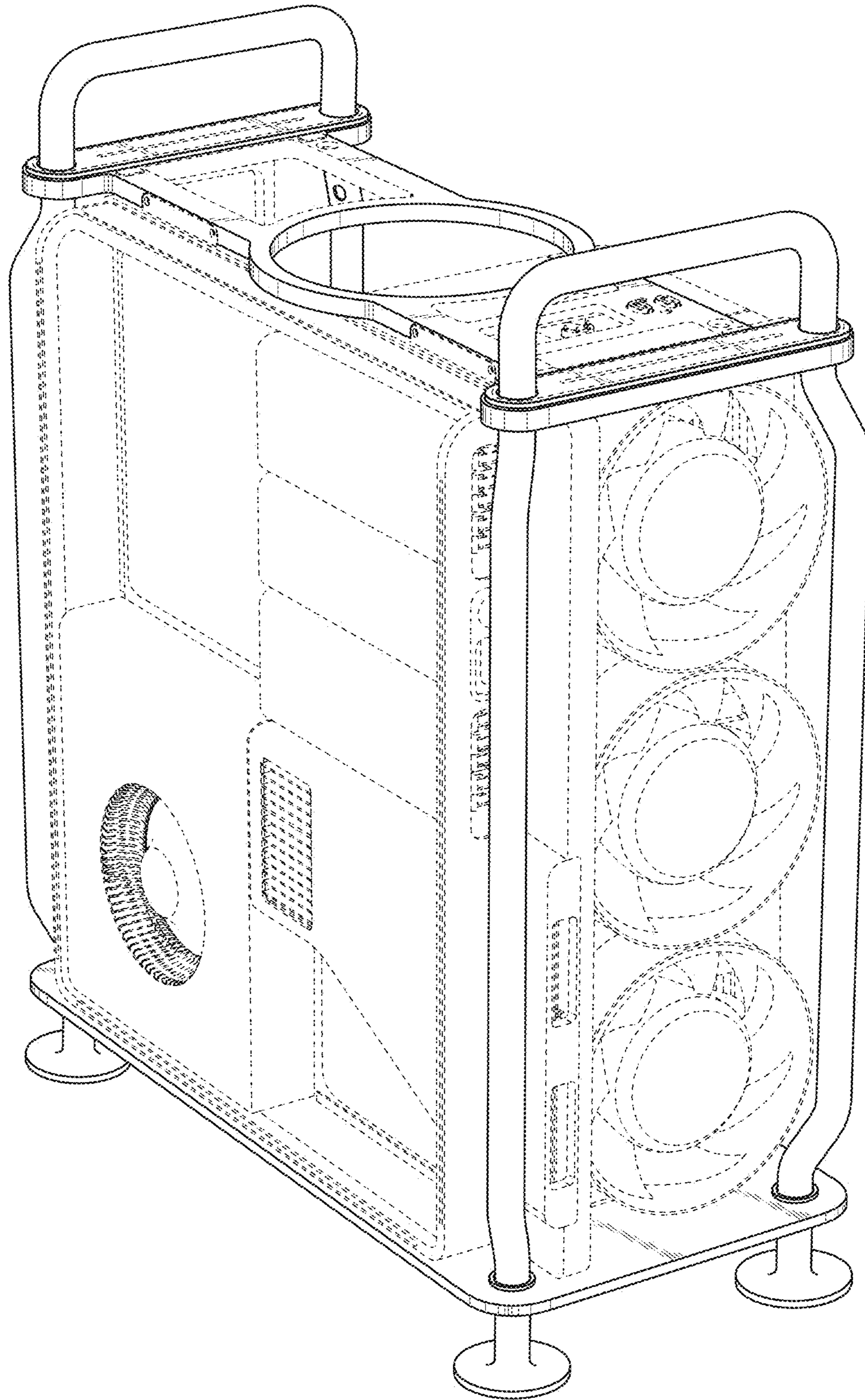


FIG. 2

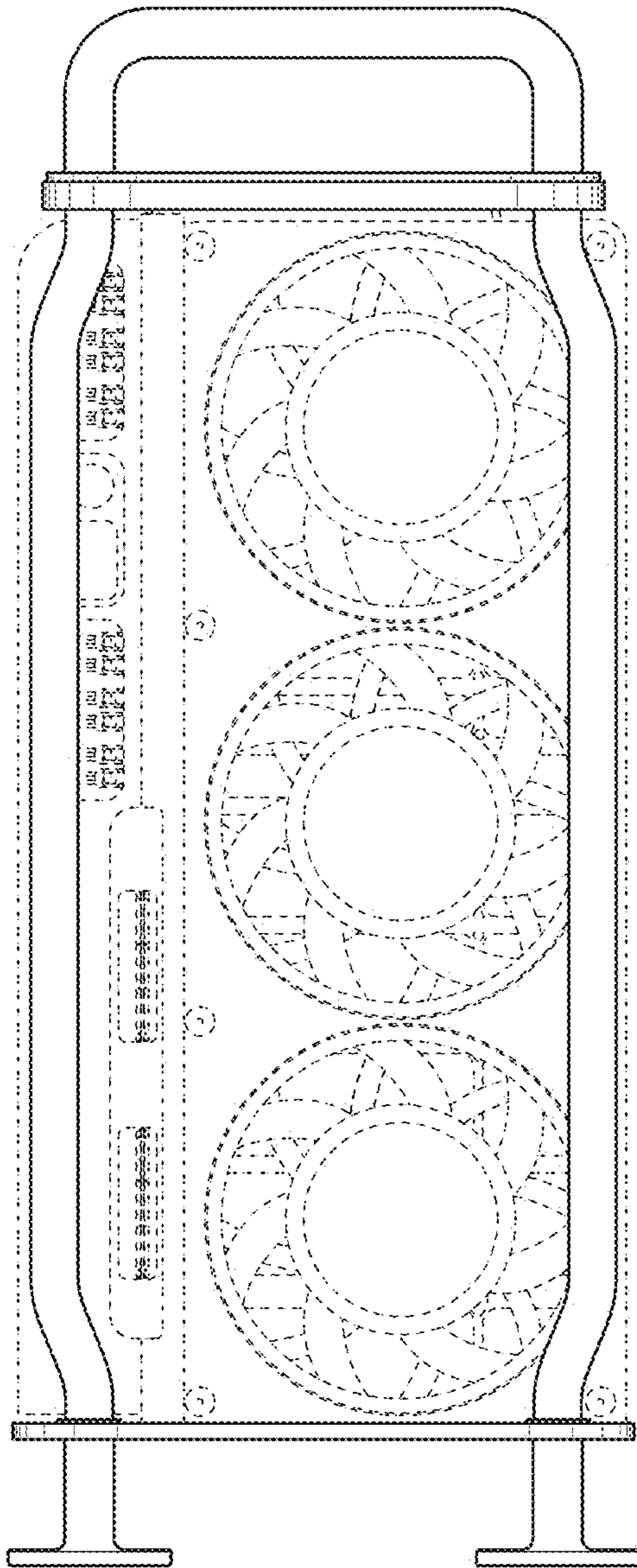


FIG. 3

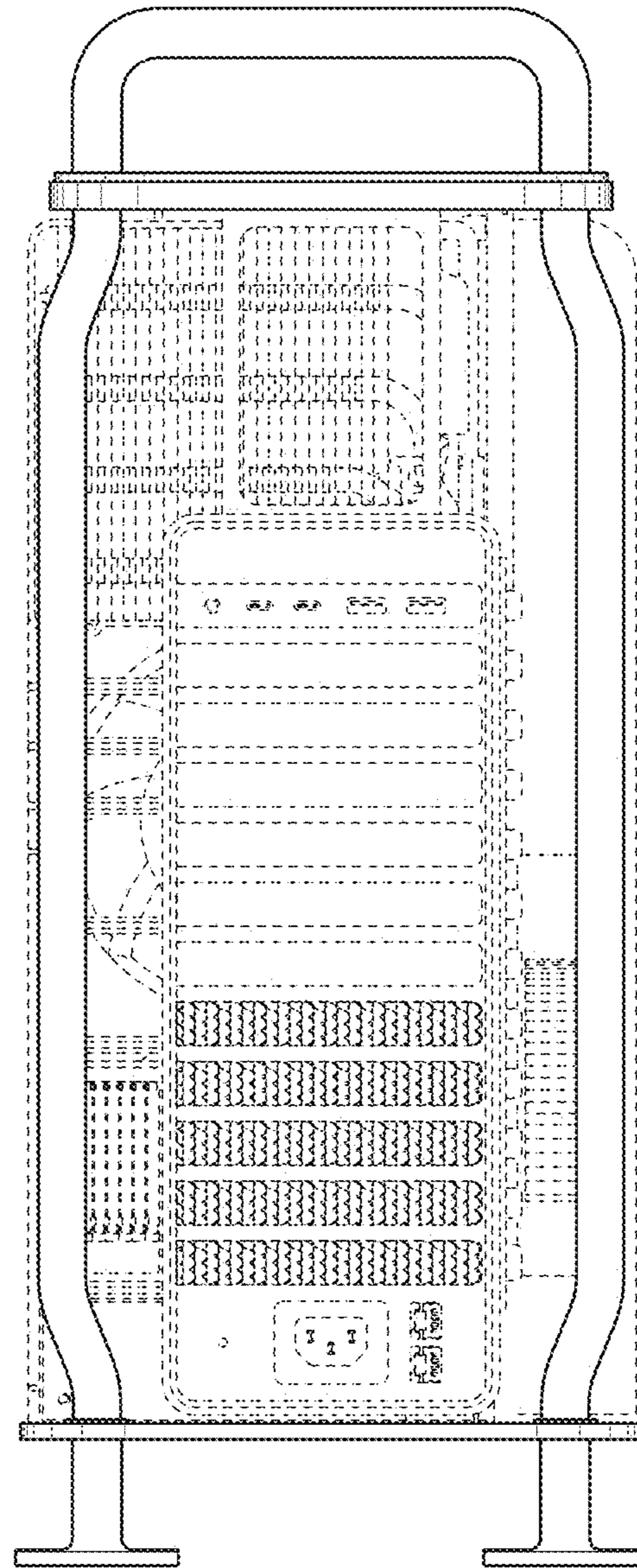


FIG. 4

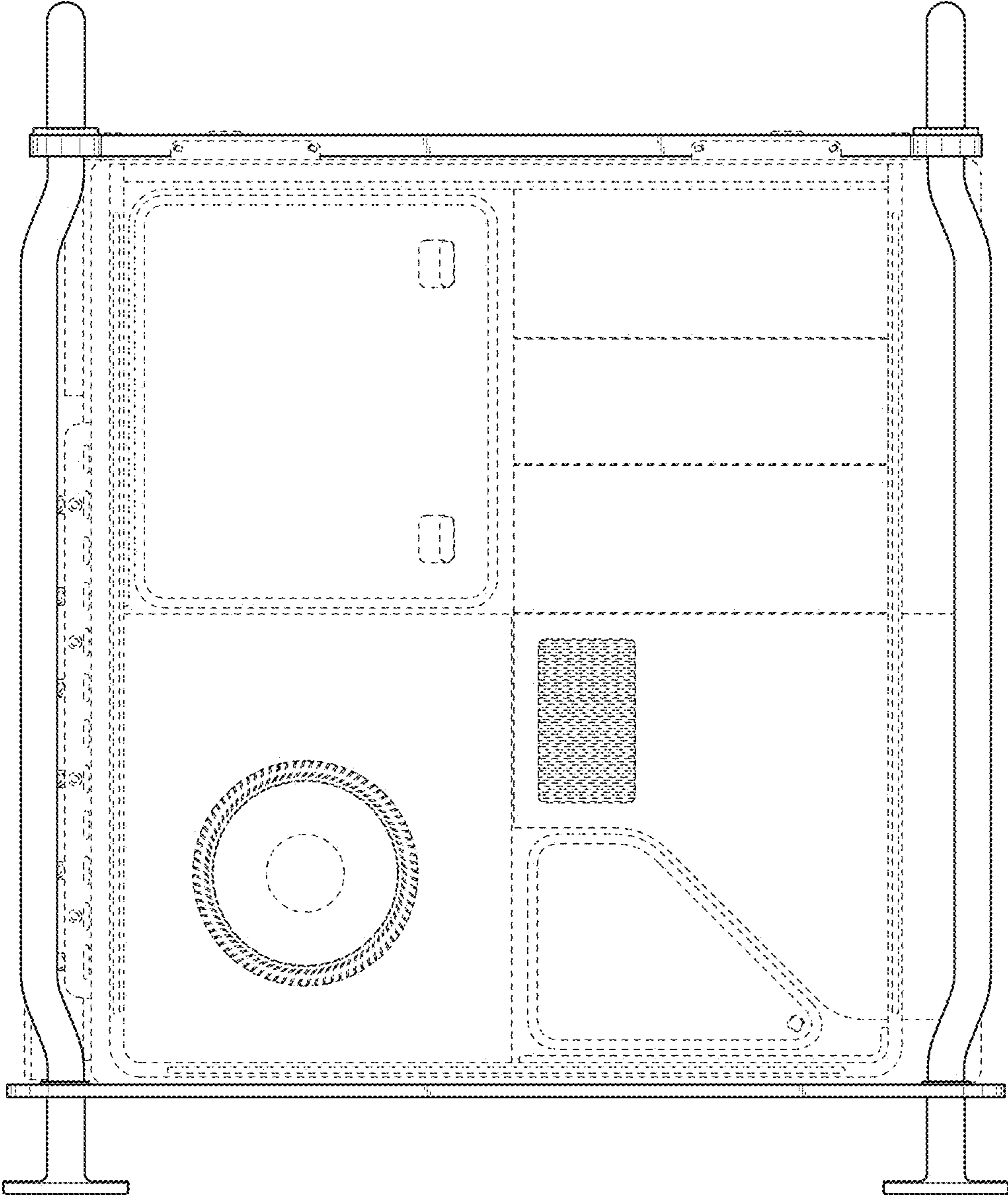


FIG. 5

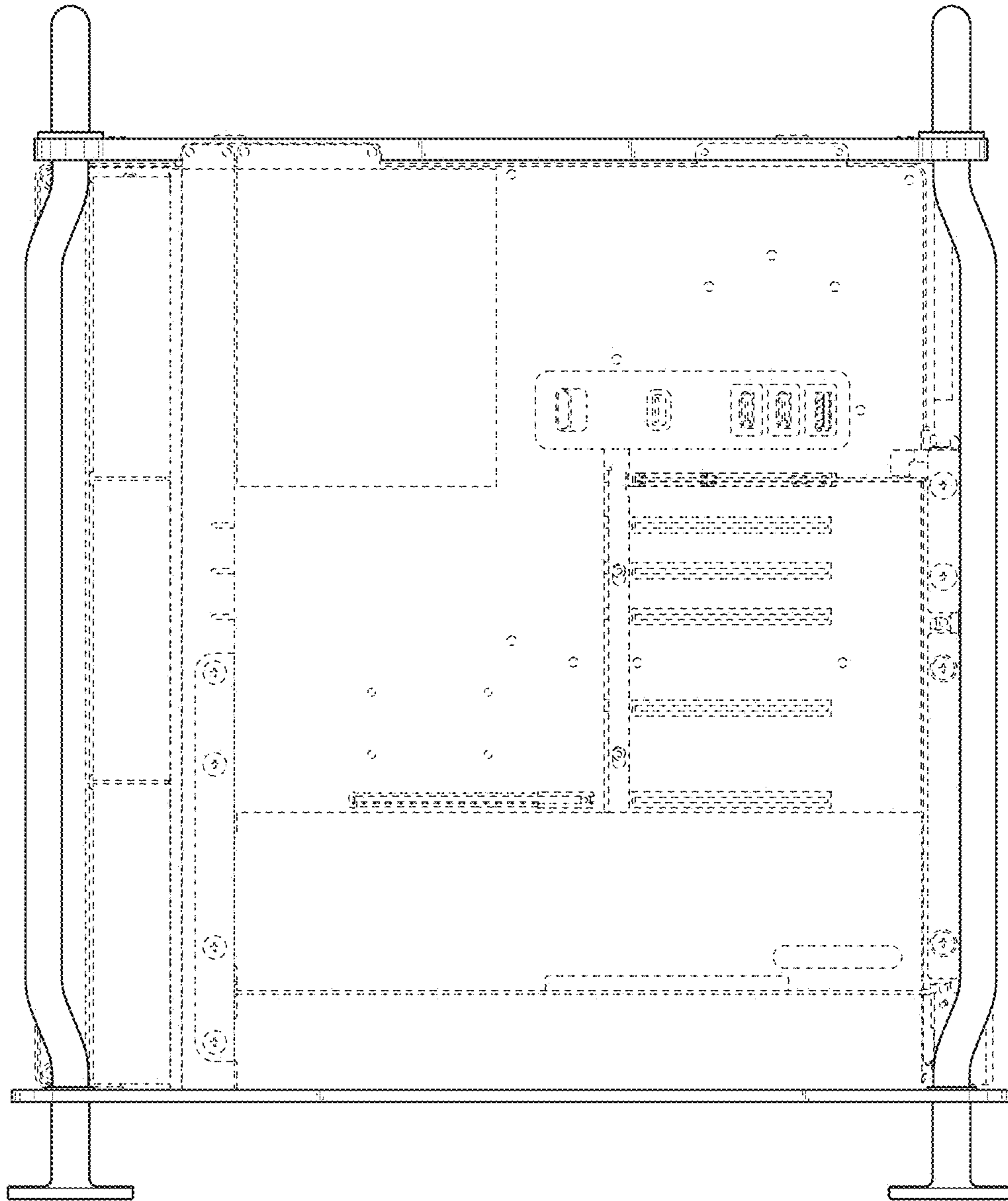


FIG. 6

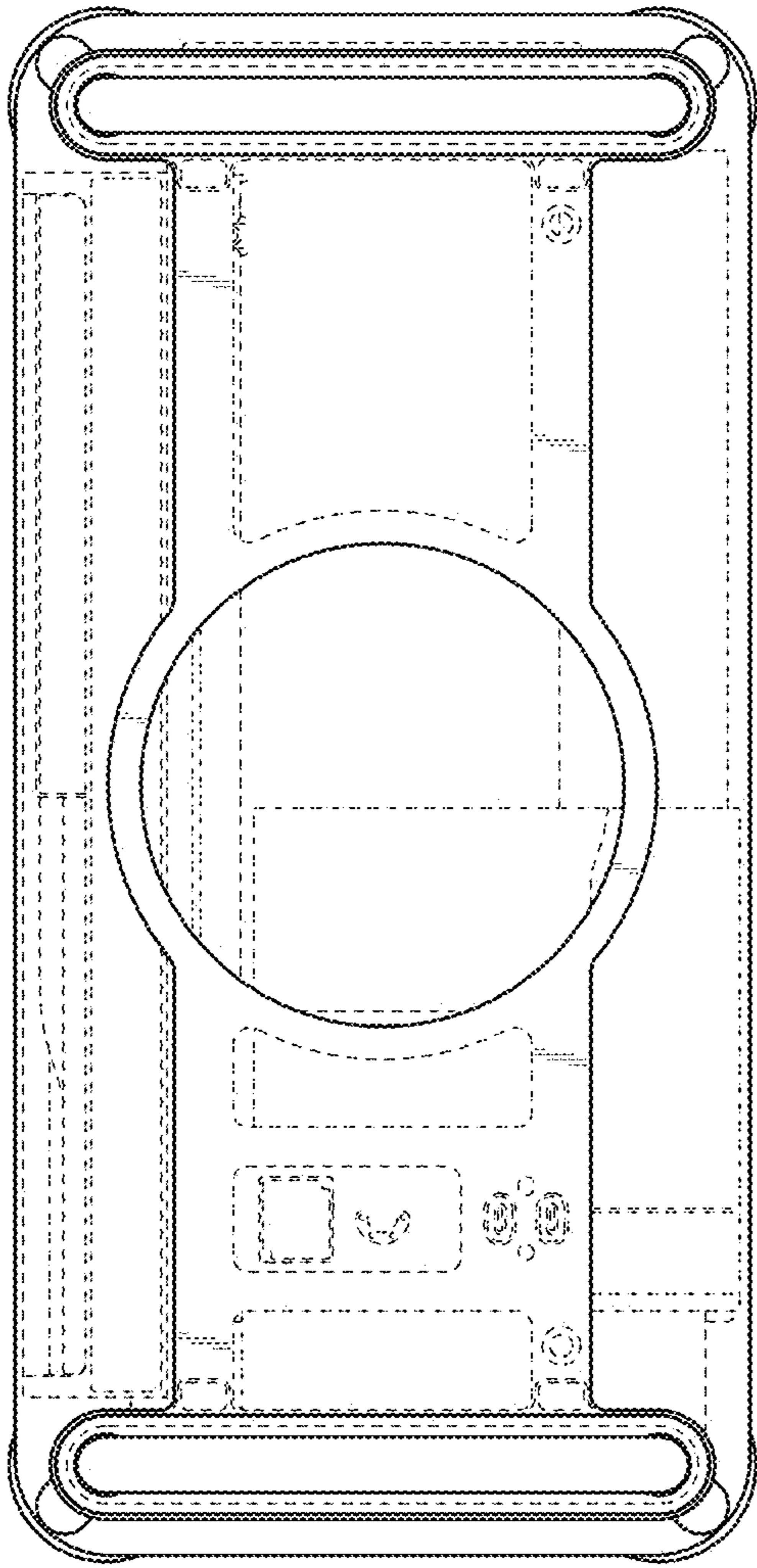


FIG. 7

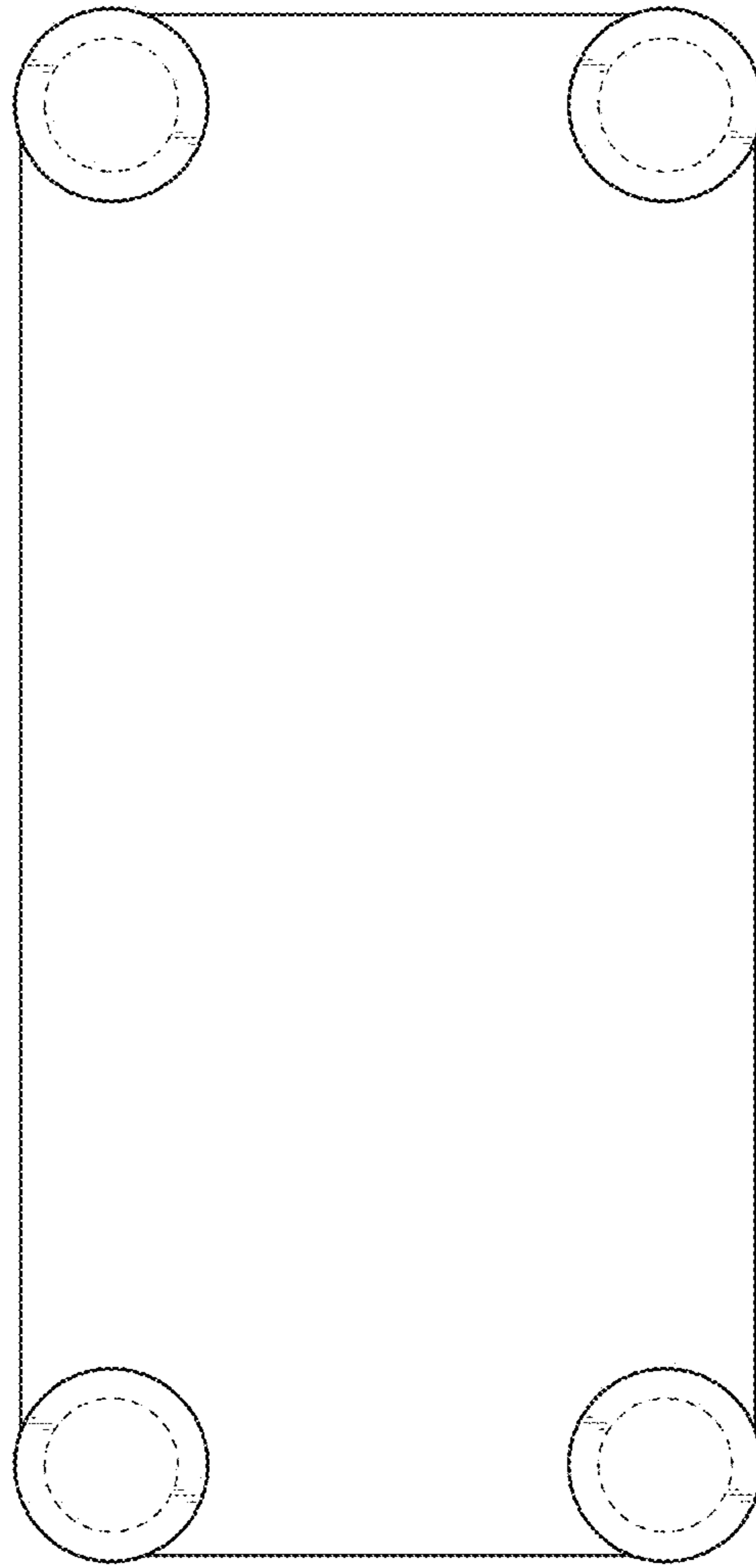


FIG. 8

UNITED STATES PATENT AND TRADEMARK OFFICE
CERTIFICATE OF CORRECTION

PATENT NO. : D926,750 S
APPLICATION NO. : 29/693347
DATED : August 3, 2021
INVENTOR(S) : Jody Akana et al.

Page 1 of 2

It is certified that error appears in the above-identified patent and that said Letters Patent is hereby corrected as shown below:

On the Title Page

(56) References Cited, Page 2, Column 2, under OTHER PUBLICATIONS, Lines 1-5:

“Mac Pro, Apple, terminalmadness.com, published by blogger Brainstorm on Jun. 4, 2019 © 2016 Terminal Madness, online, site visited Aug. 7, 2020. Available at URL: <https://terminalmadness.com/index.php/blog/apple-s-new-mac-pro-might-be-the-monster-mac-professionals-have-been-asking-for> (Year: 2019).”

Should read:

--Mac Pro, Apple, terminalmadness.com, published by blogger BrainStorm on Jun. 4, 2019 © 2016 Terminal Madness, online, site visited Aug. 7, 2020. Available at URL: <https://terminalmadness.com/index.php/blog/apple-s-new-mac-pro-might-be-the-monster-mac-professionals-have-been-asking-for> (Year: 2019).--

(56) References Cited, Page 2, Column 2, under OTHER PUBLICATIONS, Lines 6-9:

“MicroATX PC Case, Cerberus, sliger.com, author not listed, posted on Mar. 7, 2018 per wayback machine © 2017 Sliger Designs LLC, online, site visited Jan. 28, 2020. Available from Internet, URL: <https://www.sliger.com/products/cases/cerberus/> (Year: 2018).”

Should read:

--MicroATX PC Case, Cerberus, sliger.com, author not listed, posted on Mar. 7, 2018 per wayback machine © 2017 Sliger Designs LLC, online, site visited Jan. 28, 2020. Available from Internet, URL: <https://www.sliger.com/products/cases/cerberus/> (Year: 2018).--

(56) References Cited, Page 2, Column 2, under OTHER PUBLICATIONS, Lines 13-16:

“R4x5 Series Compact industrial Server Chassis, Yeong Yang, yycase.com, author and date not listed © Yeong Yang, online, site visited Jan. 28, 2020. Available from Internet, URL: <https://www.yycase.com/Tower-Server-Chassis-R4x5-Series.html> (Year: 2020).”

Should read:

--R4x5 Series Compact Industrial Server Chassis, Yeong Yang, yycase.com, author and date not listed © Yeong Yang, online, site visited Jan. 28, 2020. Available from Internet, URL: <https://www.yycase.com/Tower-Server-Chassis-R4x5-Series.html> (Year: 2020).--

Signed and Sealed this
Fifth Day of October, 2021



Drew Hirshfeld
*Performing the Functions and Duties of the
Under Secretary of Commerce for Intellectual Property and
Director of the United States Patent and Trademark Office*

(56) References Cited, Page 2, Column 2, under OTHER PUBLICATIONS, Lines 17-20, cancel the following text:

“MicroATX PC Case, Cerberus, sliger.com, author not listed, posted on Mar. 7, 2018 per wayback machine © 2017 Sliger Designs LLC, online, site visited Jan. 28, 2020. Available from Internet, URL: <https://www.sliger.com/products/cases1cerberus/> (Year: 2018).”