



US00D926749S

(12) **United States Design Patent** (10) **Patent No.:** **US D926,749 S**  
**Upton et al.** (45) **Date of Patent:** **\*\* Aug. 3, 2021**

(54) **COMPUTER CASE**

(71) Applicant: **Raspberry Pi (Trading) Limited**,  
Cambridge (GB)

(72) Inventors: **Eben Upton**, Reach (GB); **Gordon Hollingworth**, Ely (GB); **John Cowan-Hughes**, St Annes (GB); **Michael Unwin**, Bishopton (GB)

(73) Assignee: **RASPBERRY PI (TRADING) LIMITED**, Cambridge (GB)

(\*\*) Term: **15 Years**

(21) Appl. No.: **35/509,382**

(22) Filed: **Dec. 20, 2019**

(80) **Hague Agreement Data**

Int. Filing Date: **Dec. 20, 2019**  
Int. Reg. No.: **DM/207907**  
Int. Reg. Date: **Dec. 20, 2019**  
Int. Reg. Pub. Date: **May 15, 2020**

(30) **Foreign Application Priority Data**

Jun. 21, 2019 (GB) ..... 6063810  
Jun. 21, 2019 (GB) ..... 6063811

(51) **LOC (13) Cl.** ..... **14-02**

(52) **U.S. Cl.**  
USPC ..... **D14/300; D14/314**

(58) **Field of Classification Search**  
USPC ..... D14/230, 300-302, 307, 308, 314, 348,  
D14/371, 372, 374, 439, 440, 900-902;  
D13/107, 118, 119; D21/324, 332, 333  
CPC ..... G06Q 20/18; G06Q 20/10; G06Q 20/123;  
G06Q 20/20; G06Q 30/02; G06Q 30/06;  
A47F 9/047

See application file for complete search history.

(56) **References Cited**

U.S. PATENT DOCUMENTS

D330,890 S \* 11/1992 Loew ..... D14/345  
D427,193 S \* 6/2000 Fedele ..... D14/348  
D452,250 S \* 12/2001 Chan ..... D14/203.7  
D483,809 S \* 12/2003 Lim ..... D14/496  
D530,323 S \* 10/2006 Hsu ..... D14/348  
D531,176 S \* 10/2006 Ng ..... D14/300  
D576,686 S \* 9/2008 Ashida ..... D21/324

(Continued)

OTHER PUBLICATIONS

Official Raspberry Pi 3 case, uploading date Mar. 4, 2016, [online][site visited Mar. 24, 2021] URL: <https://www.amazon.com/Raspberry-Pi-Foundation-Case-Model/dp/B01F1PSFY6> (Year: 2016).\*

(Continued)

*Primary Examiner* — George D. Kirschbaum  
*Assistant Examiner* — L. A. Grabenstetter  
(74) *Attorney, Agent, or Firm* — Hodgson Russ LLP

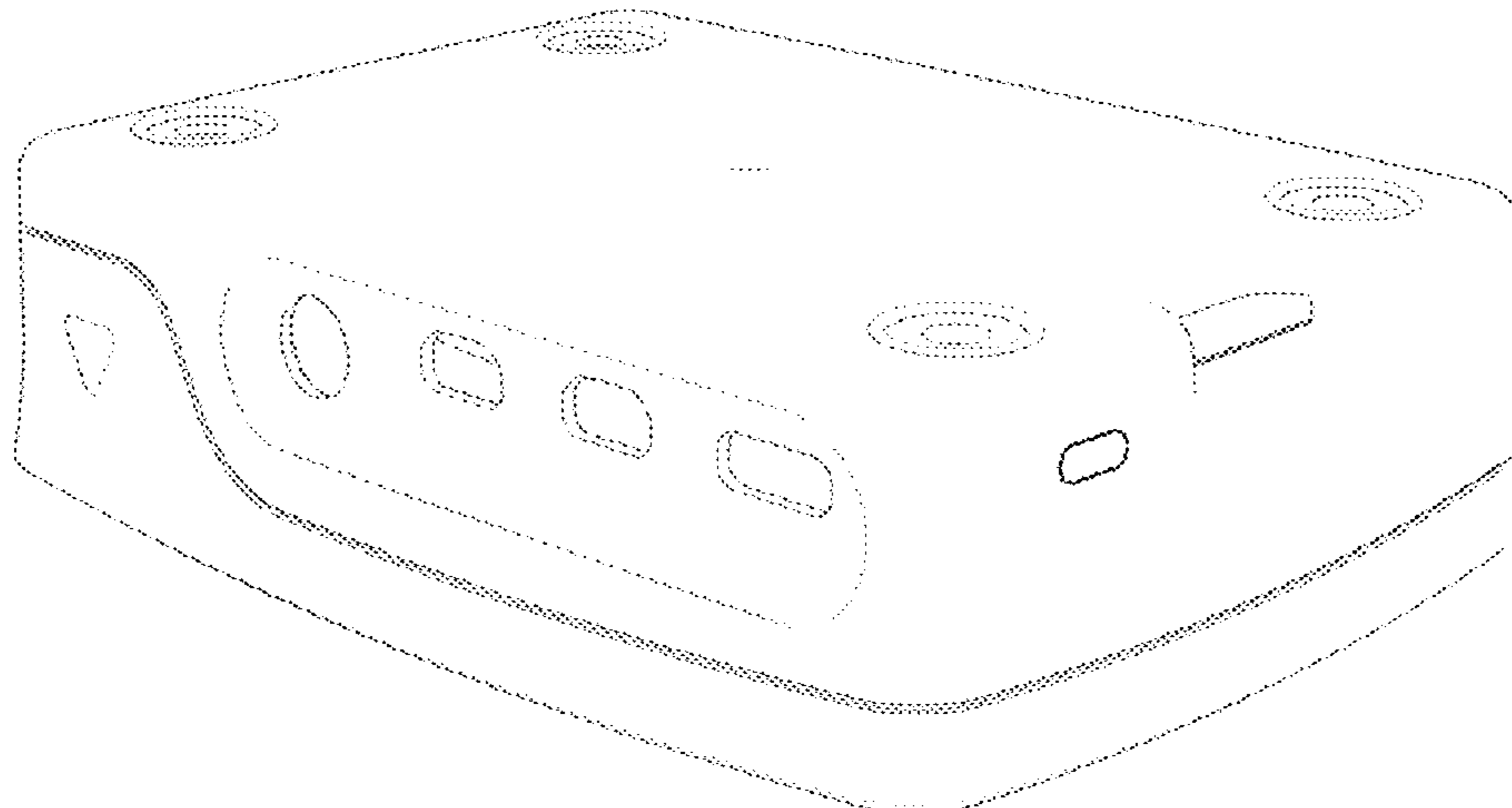
(57) **CLAIM**

The ornamental design for a computer case, as shown and described.

**DESCRIPTION**

1.-2. Computer case  
**1.1** : Back, bottom and left perspective view  
**1.2** : Front, bottom and right perspective view  
**1.3** : Back, top and left perspective view  
**1.4** : Back, top and right perspective view  
**1.5** : Front, top and left perspective view  
**1.6** : Front, top and right perspective view  
**2.1** : Back, bottom and left perspective view  
**2.2** : Front, bottom and right perspective view  
**2.3** : Back, top and left perspective view  
**2.4** : Back, top and right perspective view

(Continued)



**2.5** : Front, top and left perspective view  
**2.6** : Front, top and right perspective view  
 Fig. **1.1** to **1.6** and **2.1** to **2.6** depict the ornamental design for a computer case.

**1 Claim, 12 Drawing Sheets**

D743,359 S *	11/2015	Tatem .....	D14/125
D743,962 S *	11/2015	Ikeda .....	D14/348
D789,930 S *	6/2017	Webb .....	D14/348
D795,253 S *	8/2017	Kawano .....	D14/348
D813,212 S *	3/2018	Nangeroni .....	D14/240
D813,866 S *	3/2018	Elmieh .....	D14/356
D815,099 S *	4/2018	Magi .....	D14/436
D837,299 S *	1/2019	Ehara .....	D21/333

(56)

**References Cited**

U.S. PATENT DOCUMENTS

D585,439 S *	1/2009	Ching .....	D14/300
D599,339 S *	9/2009	Yau .....	D14/300
D627,400 S *	11/2010	Suetake .....	D21/332
D641,327 S *	7/2011	Falakfarsa .....	D14/125
D692,849 S *	11/2013	Choi .....	D14/188
D706,358 S *	6/2014	Yamamoto .....	D21/332

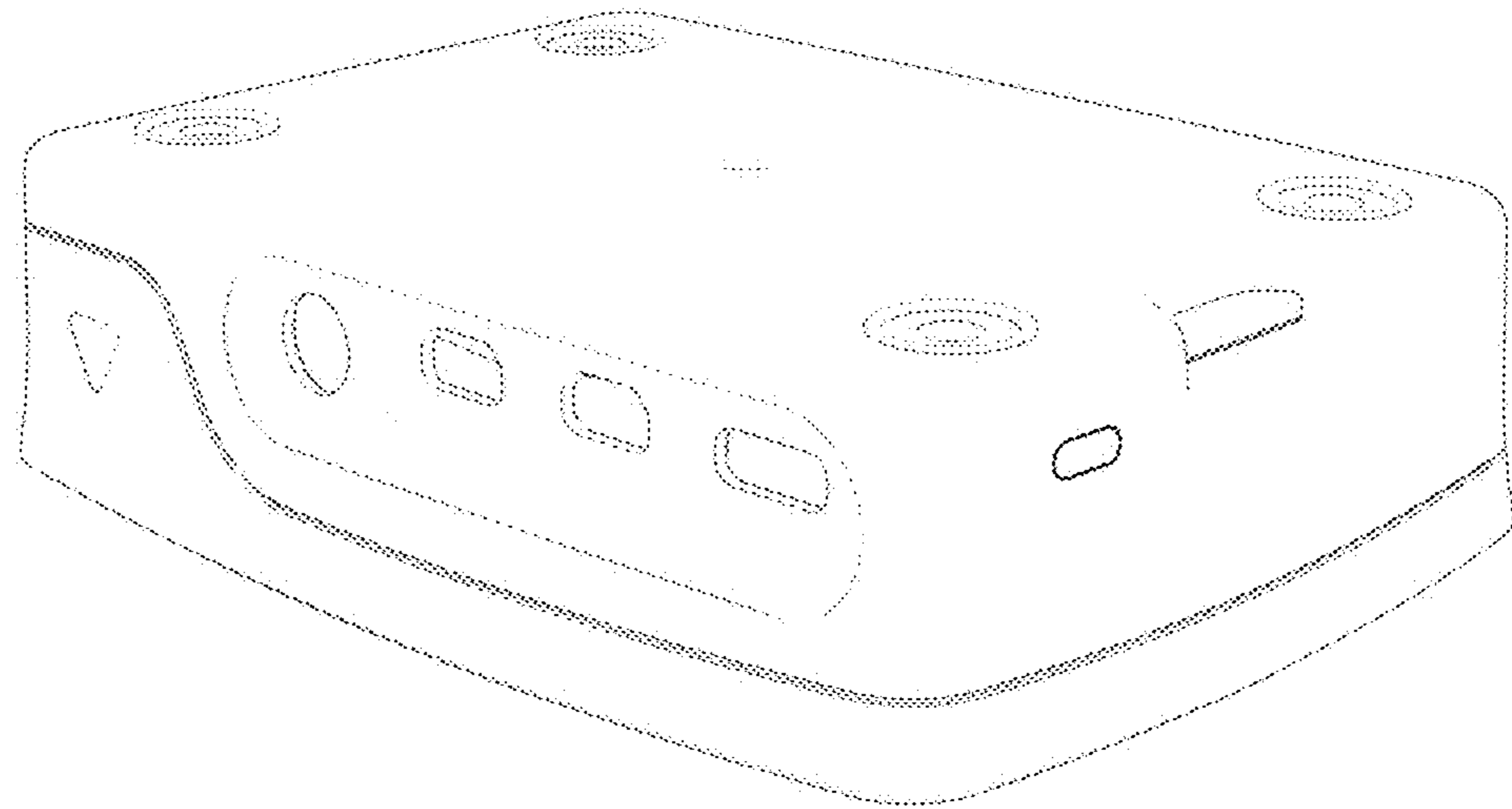
OTHER PUBLICATIONS

Official Raspberry Pi 4 case, uploading date Sep. 23, 2019, [online][site visited Mar. 24, 2021] URL: <https://www.amazon.com/Raspberry-Pi-Case-White-RPI4-CASE-RW/dp/B07WCKLFLP> (Year: 2019).\*

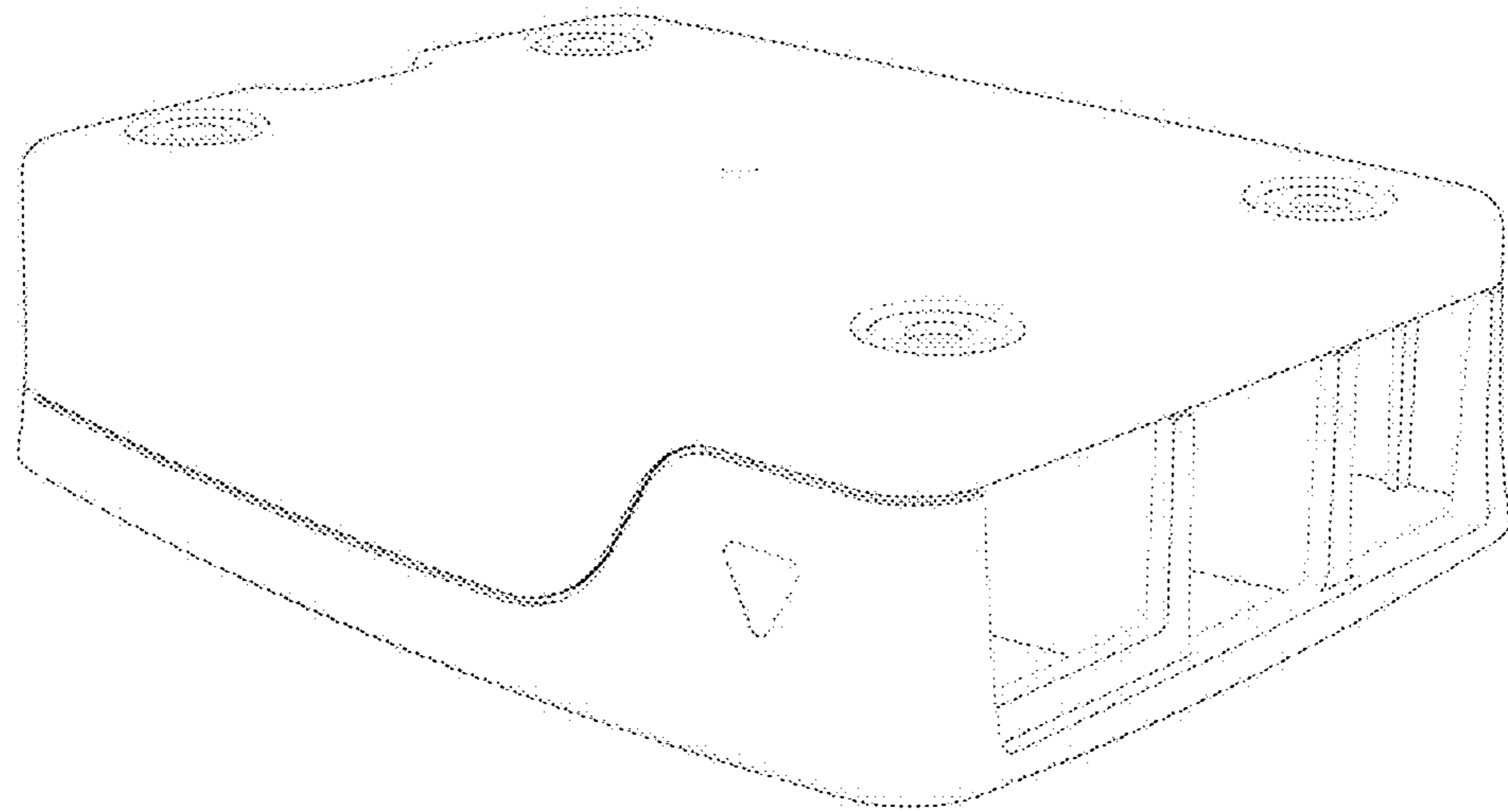
23 Awesome Raspberry Pi cases, publicaiton date Dec. 13, 2019, [online][site visited Mar. 24, 2021] URL: <https://www.electromaker.io/blog/article/15-awesome-raspberry-pi-cases-66> (Year: 2019).\*

\* cited by examiner

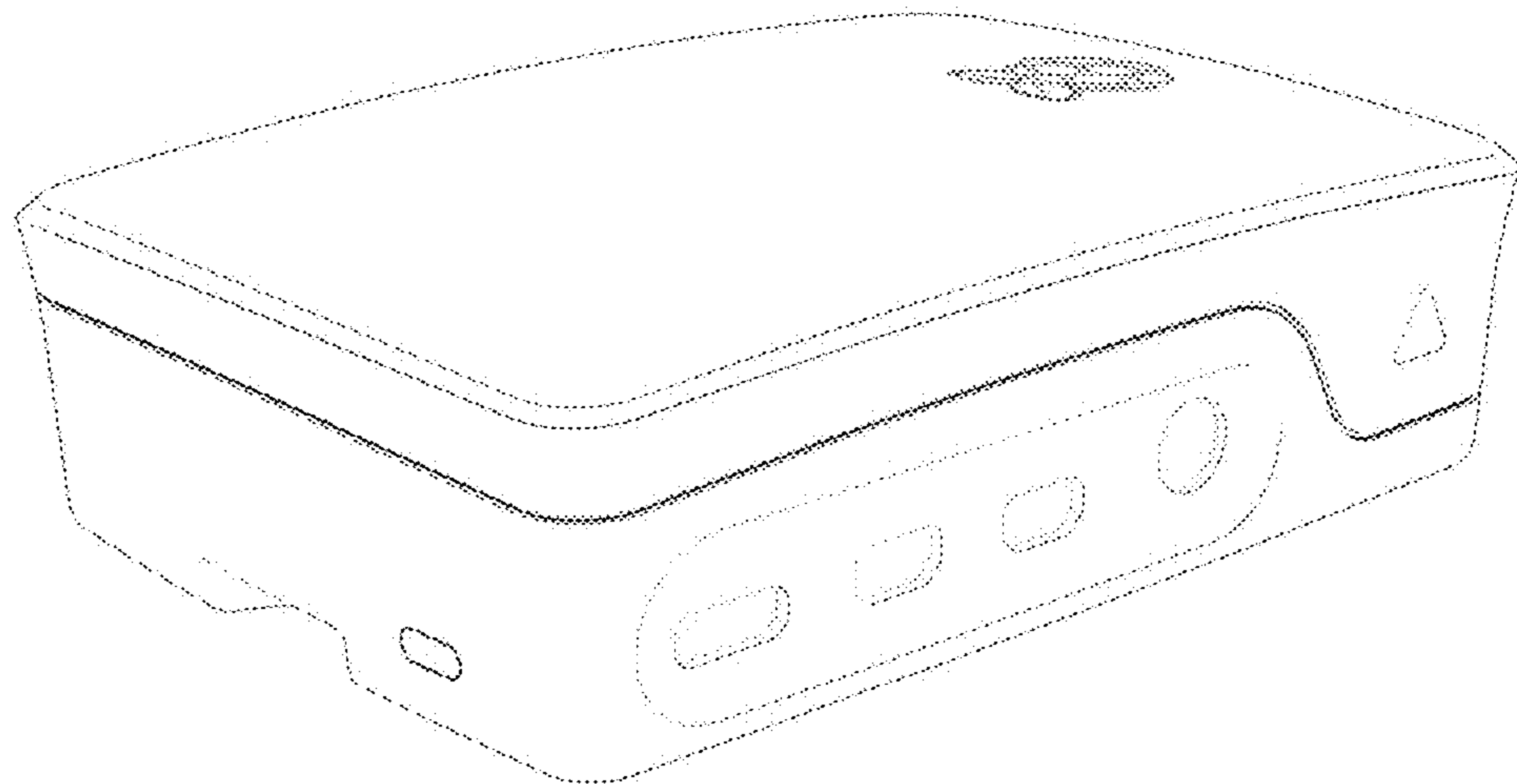
1.1



1.2



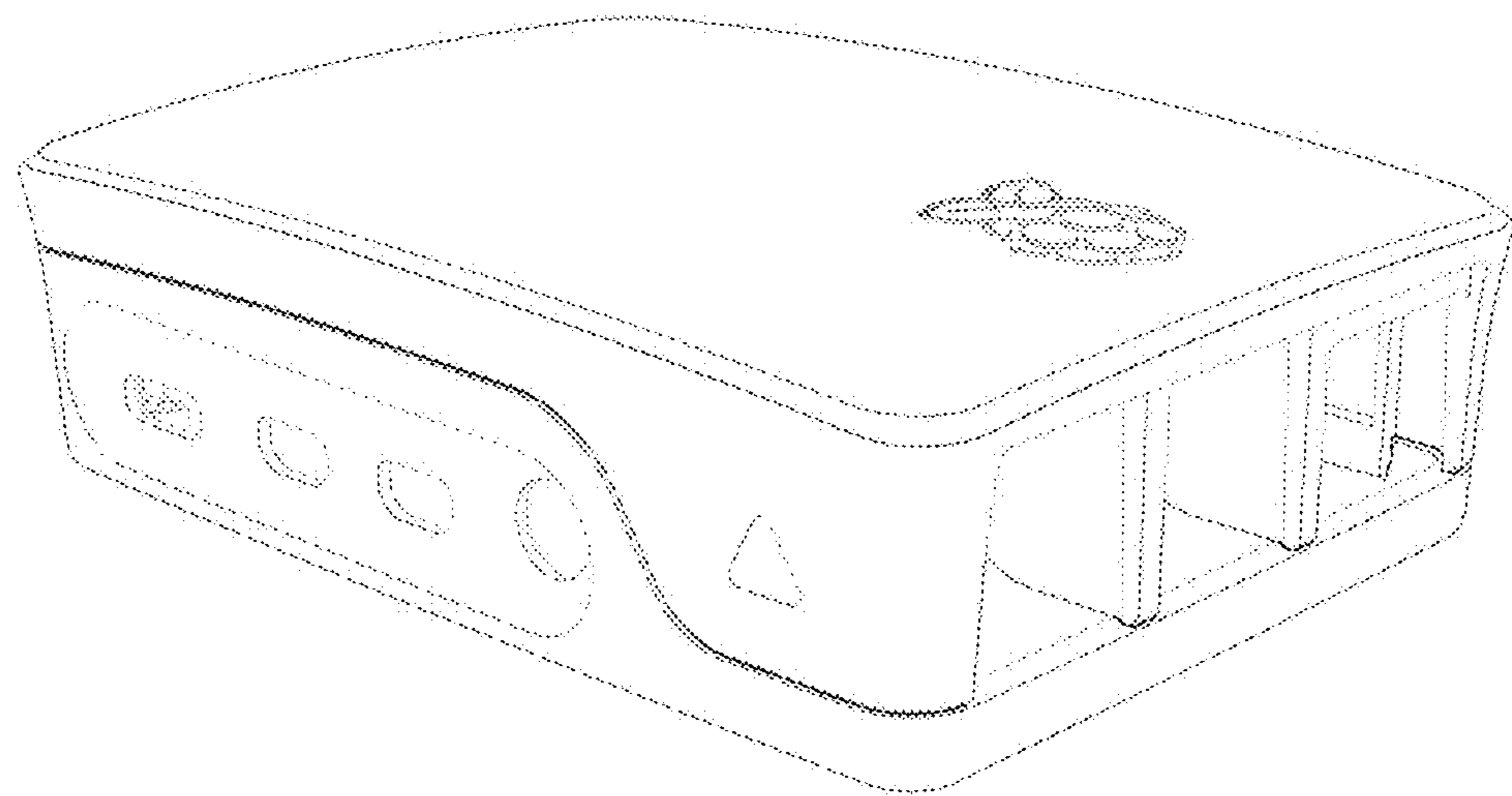
1.3



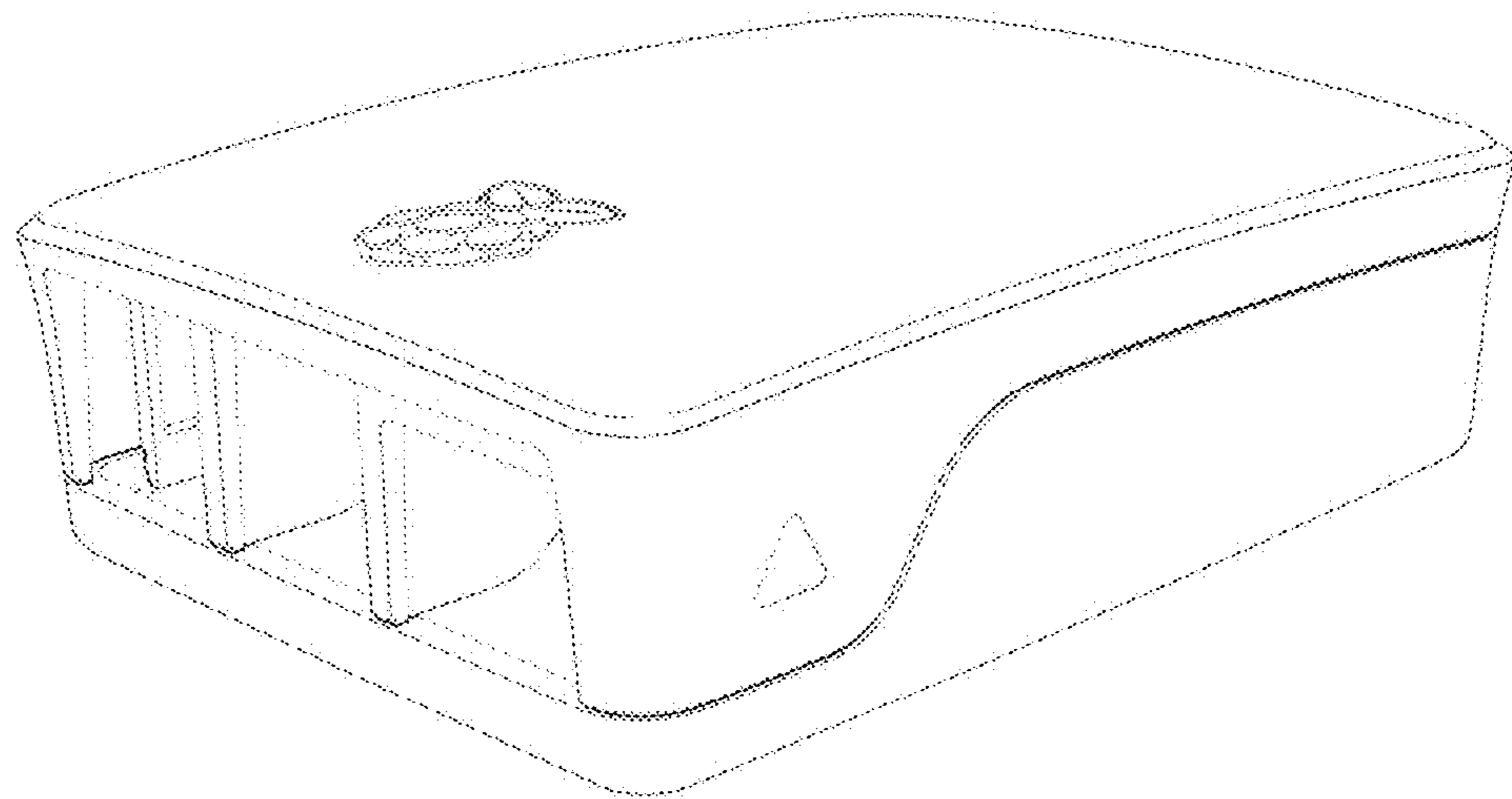
1.4



1.5

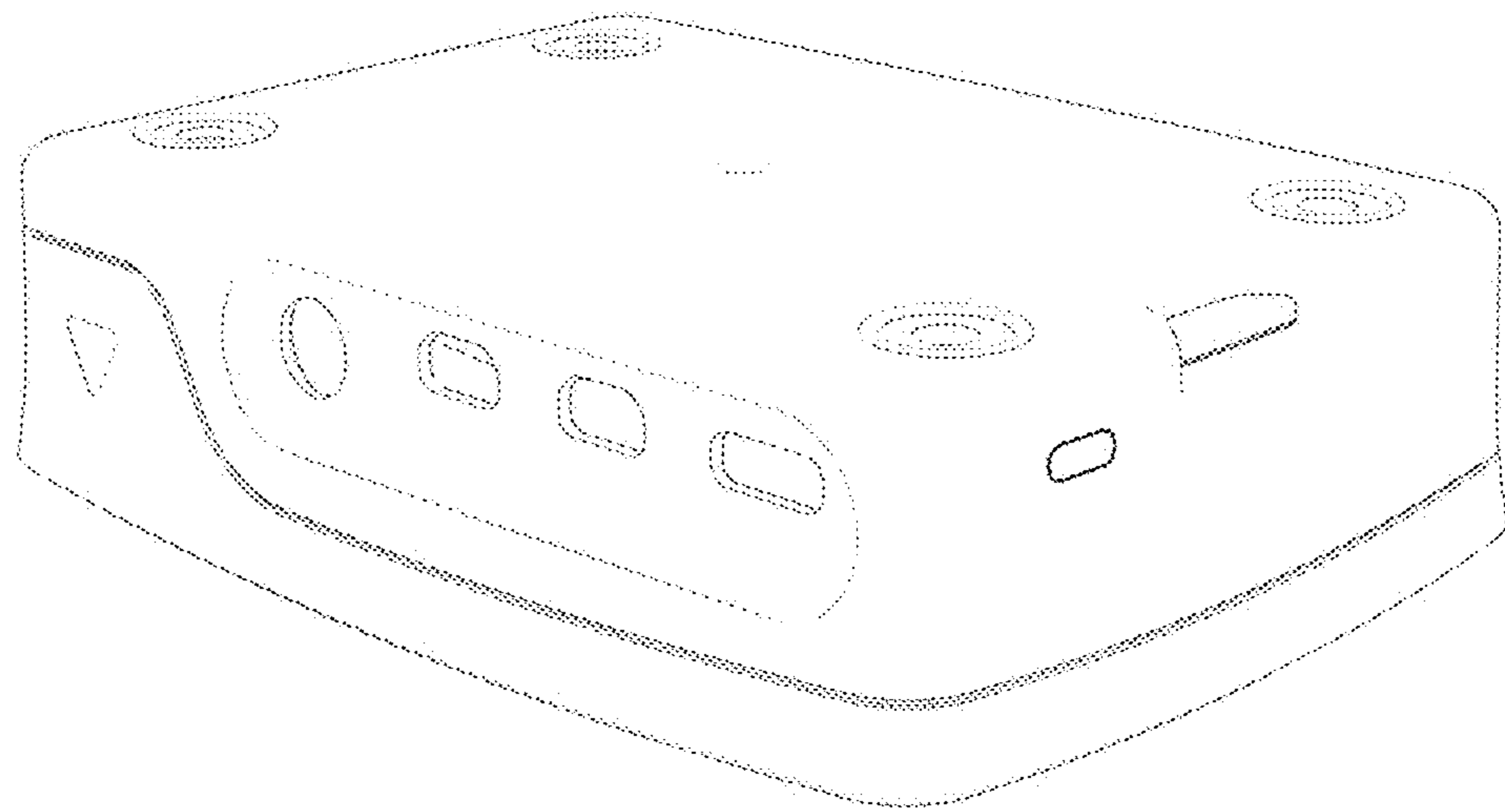


1.6

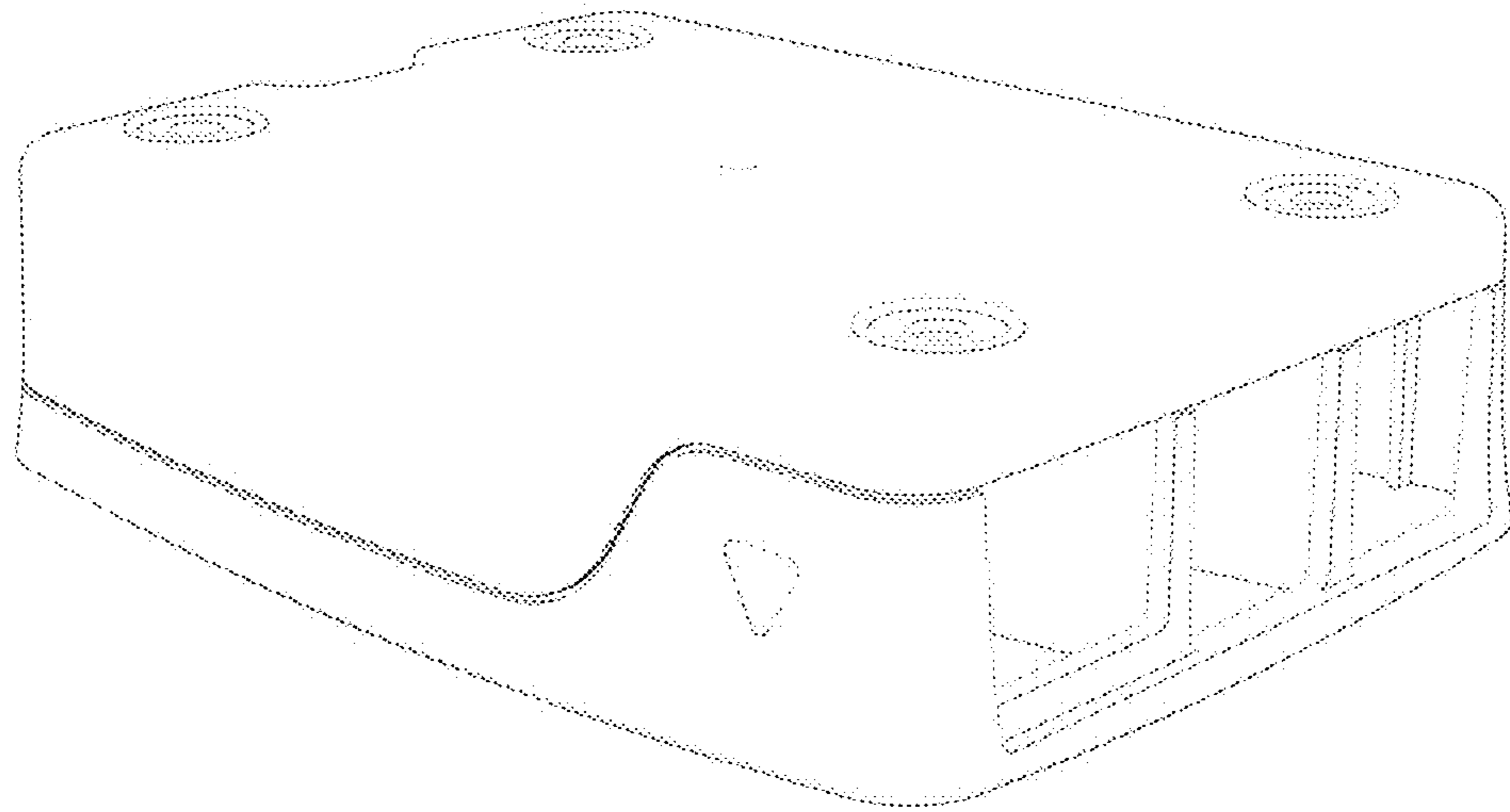




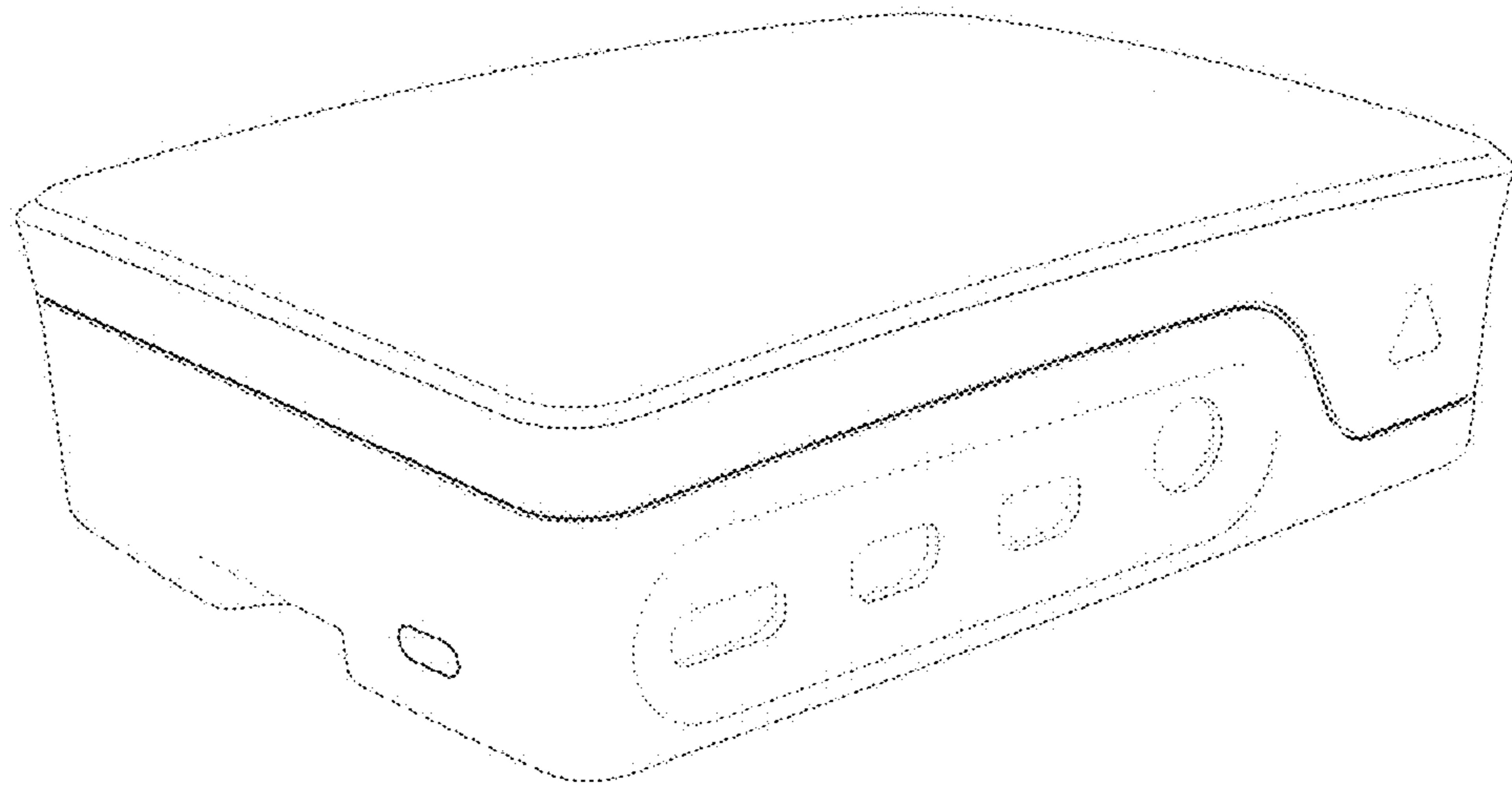
2.1



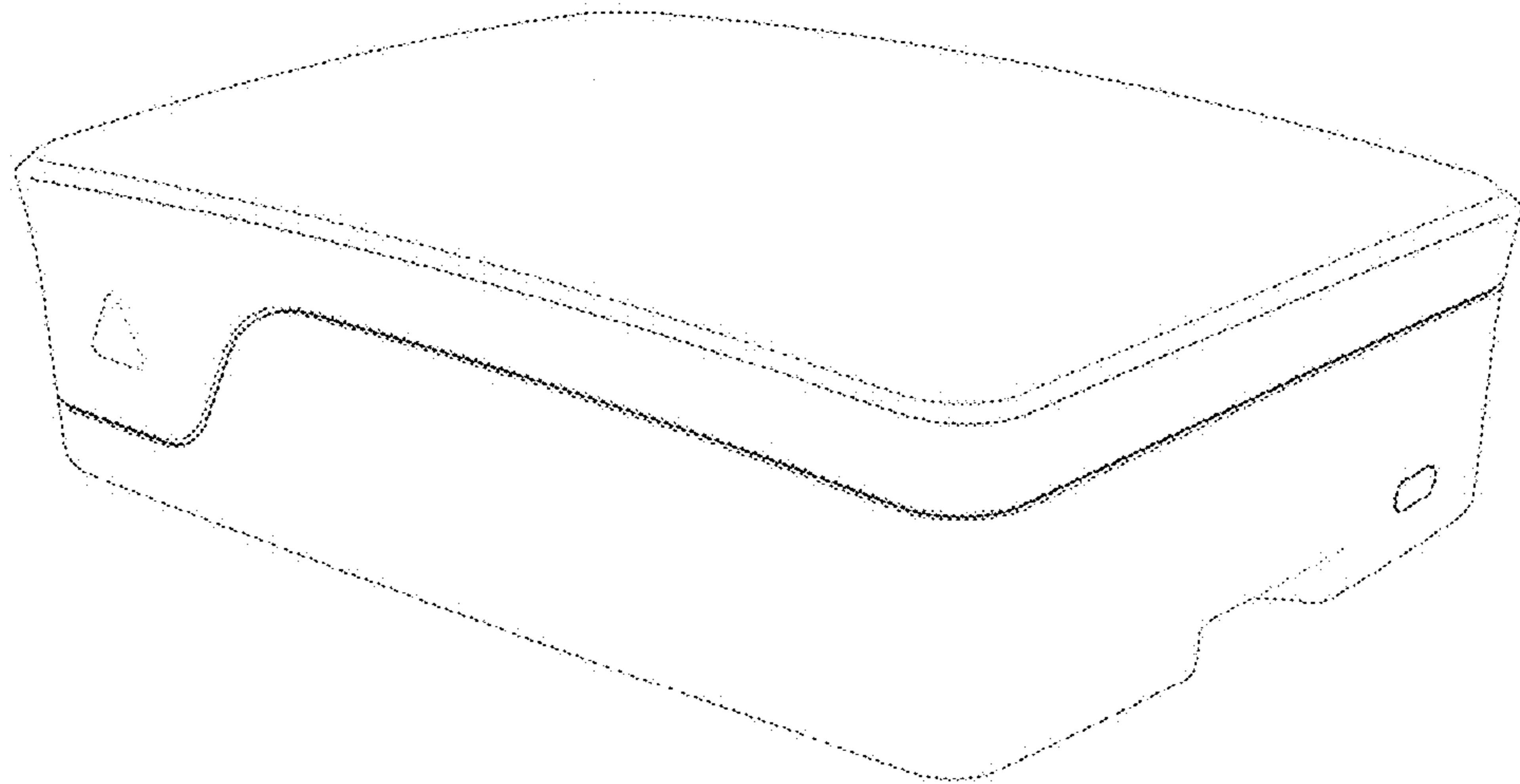
2.2



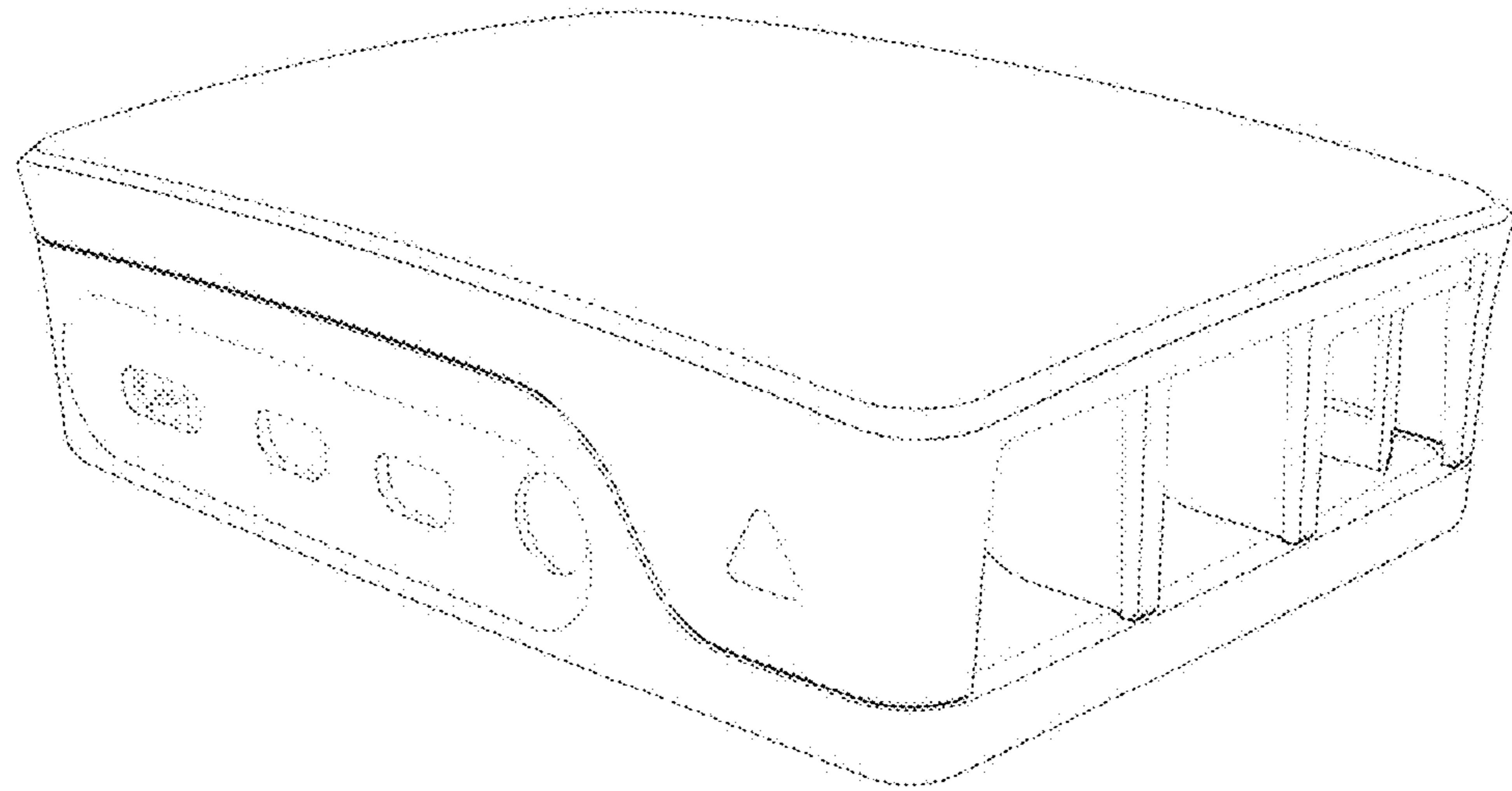
2.3



2.4



2.5



2.6

