

US00D926747S

(12) **United States Design Patent** (10) **Patent No.:** **US D926,747 S**
Ryu et al. (45) **Date of Patent:** **** Aug. 3, 2021**

(54) **CASE FOR MOBILE PHONES**

(71) Applicant: **LG Electronics Inc.**, Seoul (KR)
(72) Inventors: **Seunghoon Ryu**, Seoul (KR); **Youngho Kim**, Seoul (KR); **Jihoon Shin**, Seoul (KR)

(73) Assignee: **LG ELECTRONICS INC.**, Seoul (KR)

(**) Term: **15 Years**

(21) Appl. No.: **35/508,469**

(22) Filed: **Jul. 29, 2019**

(80) **Hague Agreement Data**

Int. Filing Date: **Jul. 29, 2019**
Int. Reg. No.: **DM/204643**
Int. Reg. Date: **Jul. 29, 2019**
Int. Reg. Pub. Date: **Jan. 31, 2020**

(30) **Foreign Application Priority Data**

Jan. 31, 2019 (KR) 30-2019-0005159

(51) **LOC (13) Cl.** **14-03**

(52) **U.S. Cl.**
USPC **D14/250**

(58) **Field of Classification Search**

USPC D3/201, 212, 218, 226, 227, 247, 249,
D3/250, 269, 303; D13/103, 107, 108,
(Continued)

(56) **References Cited**

U.S. PATENT DOCUMENTS

D681,620 S * 5/2013 Huskinson D14/250
D713,834 S * 9/2014 Almstrom D14/250
(Continued)

FOREIGN PATENT DOCUMENTS

WO WOD201472-001 * 2/2019

OTHER PUBLICATIONS

PocketBook CoverReader, Alcatel E-Ink Cover, Prototype mobile phone covers foreshadow new wave of EInk display, publicaiton date Sep. 16, 2013, [online][site visited Jun. 12, 2019] URL: <https://newatlas.com/e-ink-mobile-phone-covers/29063/> (Year: 2013).*

(Continued)

Primary Examiner — George D. Kirschbaum

Assistant Examiner — L. A. Grabenstetter

(74) *Attorney, Agent, or Firm* — Birch, Stewart, Kolasch & Birch LLP

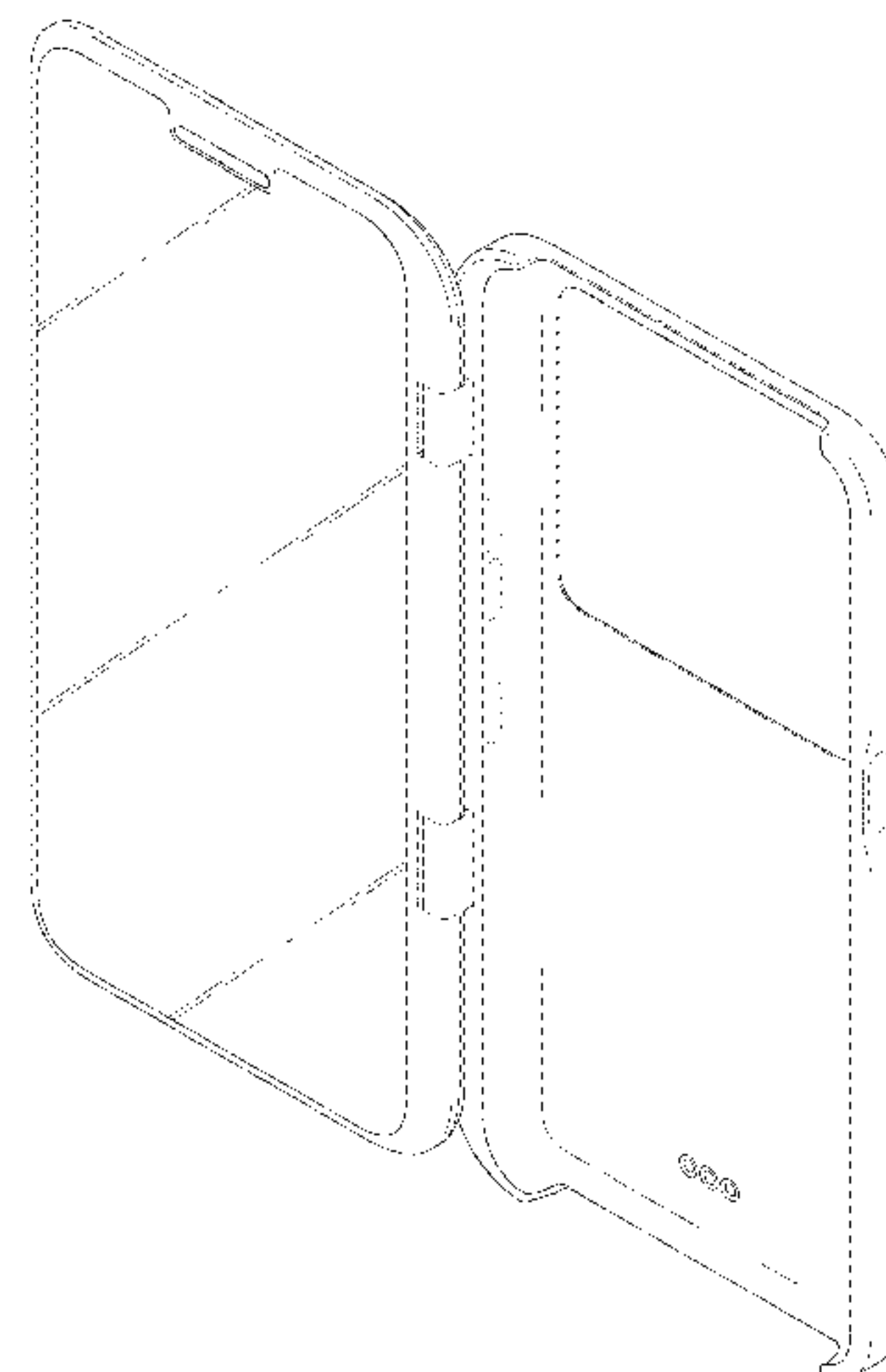
(57) **CLAIM**

The ornamental design for a case for mobile phones, as shown and described.

DESCRIPTION

1. Case for mobile phones
1.1 : Front Perspective View shown in a folded state
1.2 : Front View shown in a folded state
1.3 : Back View shown in a folded state
1.4 : Left View shown in a folded state
1.5 : Right View shown in a folded state
1.6 : Top View shown in a folded state
1.7 : Bottom View shown in a folded state
1.8 : Back Perspective View shown in a folded state
1.9 : Front Perspective View shown in an open state
1.10 : Front View shown in an open state
1.11 : Back View shown in an open state
1.12 : Left View shown in an open state
1.13 : Right View shown in an open state
1.14 : Top View shown in an open state
1.15 : Bottom View shown in an open state
1.16 : Back Perspective View shown in an open state
1.17 : Second Front Perspective View shown in an open state, shown in a condition of use
The broken lines depicting features of the case for mobile phones represent portions of the article that form no part of

(Continued)



the claimed design. The broken lines depicting a mobile phone in reproduction 1.17 represent unclaimed environment.

1 Claim, 17 Drawing Sheets

(58) Field of Classification Search

USPC D13/119; D14/137, 138 R, 138 AA, D14/138 C, 138 G, 172, 192, D14/203.3–203.7, 217, 238.1, 247, 248, D14/250–253, 434, 440, 447, 496; D12/133, 415–422; D28/64.1, 64.3, 64.7
 CPC H04B 1/3888; H04M 1/0283; H04M 1/0202; A45C 1/06; A45C 2011/002; A45C 11/00; A45F 2005/028; A45F 2200/0525

See application file for complete search history.

(56) References Cited

U.S. PATENT DOCUMENTS

D723,020 S * 2/2015 Kim D14/250
 D762,630 S * 8/2016 Shin D14/250
 D763,839 S * 8/2016 Shin D14/250
 D765,630 S * 9/2016 Harata D14/250
 D765,637 S * 9/2016 Lay D14/250

D765,639 S * 9/2016 Lay D14/250
 D774,496 S * 12/2016 Kim D14/250
 D781,278 S * 3/2017 Kim D14/250
 D790,134 S * 6/2017 Shteytsel D28/64.3
 D791,756 S * 7/2017 Kim D14/250
 D794,009 S * 8/2017 Lee D14/250
 D794,627 S * 8/2017 Roberts D14/250
 D795,826 S * 8/2017 Yoon D14/138 AB
 D810,067 S * 2/2018 Lee D14/250
 D814,458 S * 4/2018 Lee D14/345

OTHER PUBLICATIONS

InkCase Plus, Add a battery-saving E Ink display to your phone, publication date Jul. 15, 2014, [online][site visited Jun. 12, 2019] URL: <https://www.engadget.com/2014/07/15/inkcase-plus-eink-kickstarter/> (Year: 2014).*

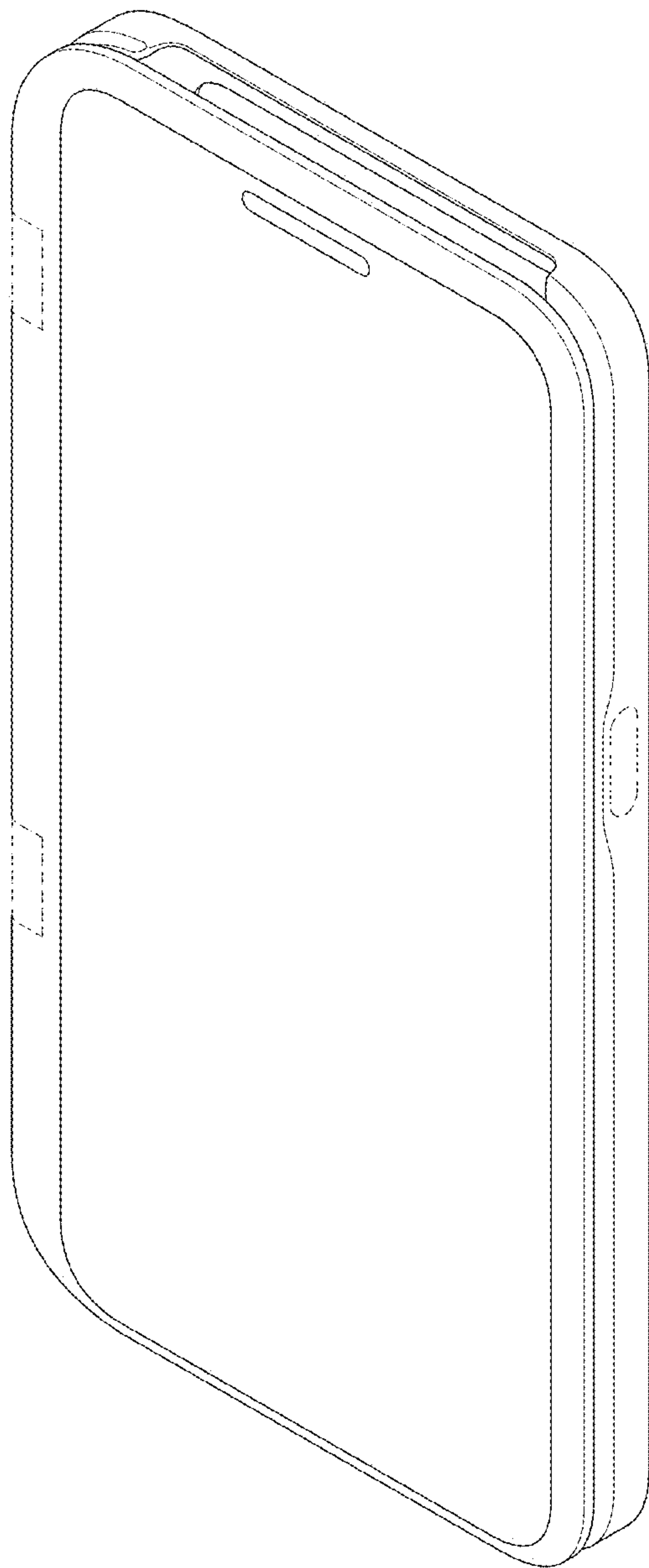
CastAway, this case makes your phone dual screen, publication date Nov. 14, 2019, [online][site visited Dec. 14, 2020] URL: <https://www.youtube.com/watch?v=M5Zh-XI9LXM> (Year: 2019).*

LG G8X ThinQ Dual screen hands on review, publication date Sep. 5, 2019, [online][site visited Dec. 14, 2020] URL: <https://www.youtube.com/watch?v=V949JUHOx74> (Year: 2019).*

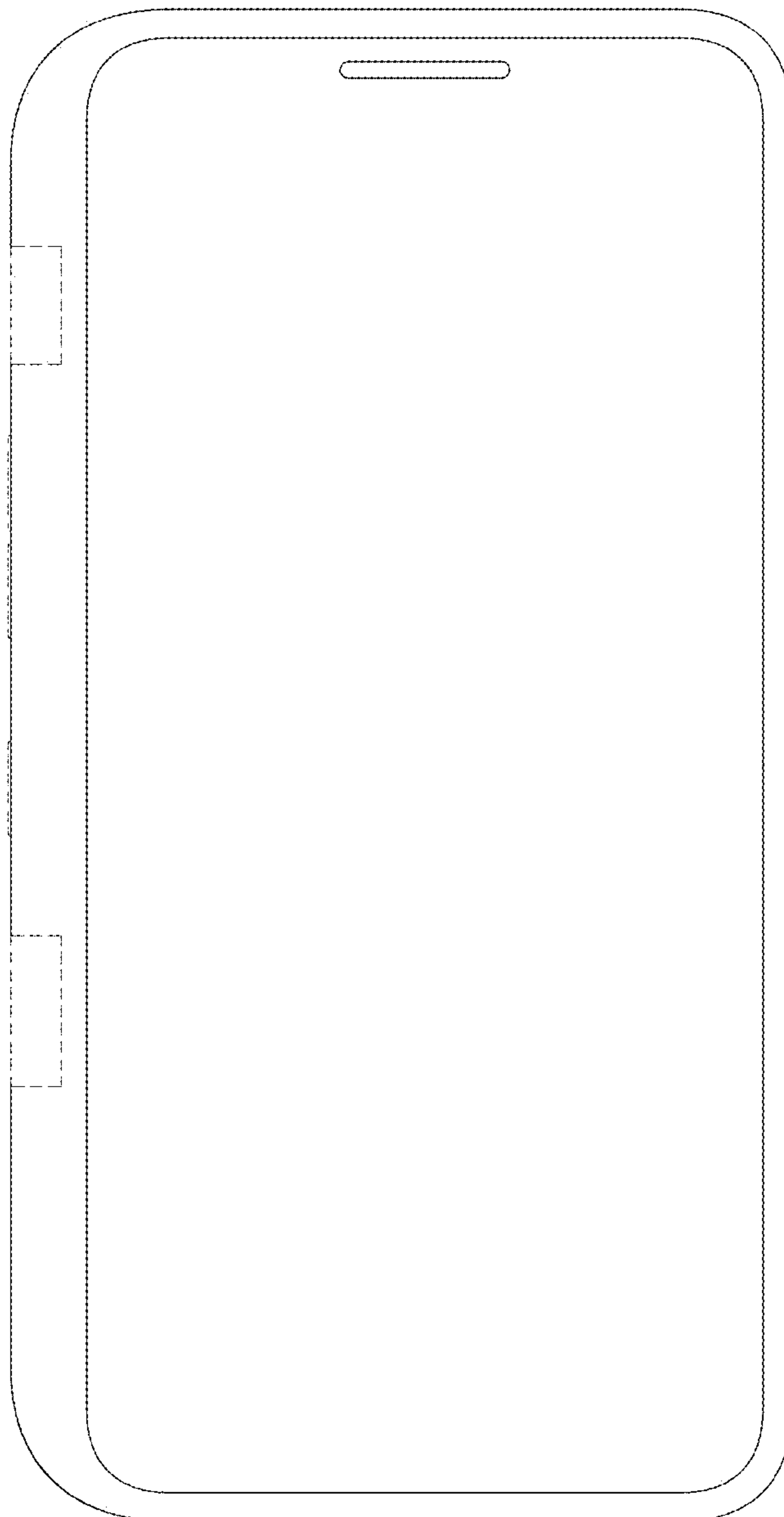
LG Patent reveals tablet-sized detachable, flexible dual-screen phone cover, publication date Dec. 31, 2019, [online][site visited Dec. 14, 2020] URL: <https://www.androidauthority.com/lg-phone-cover-patent-1070431/>(Year: 2019).*

* cited by examiner

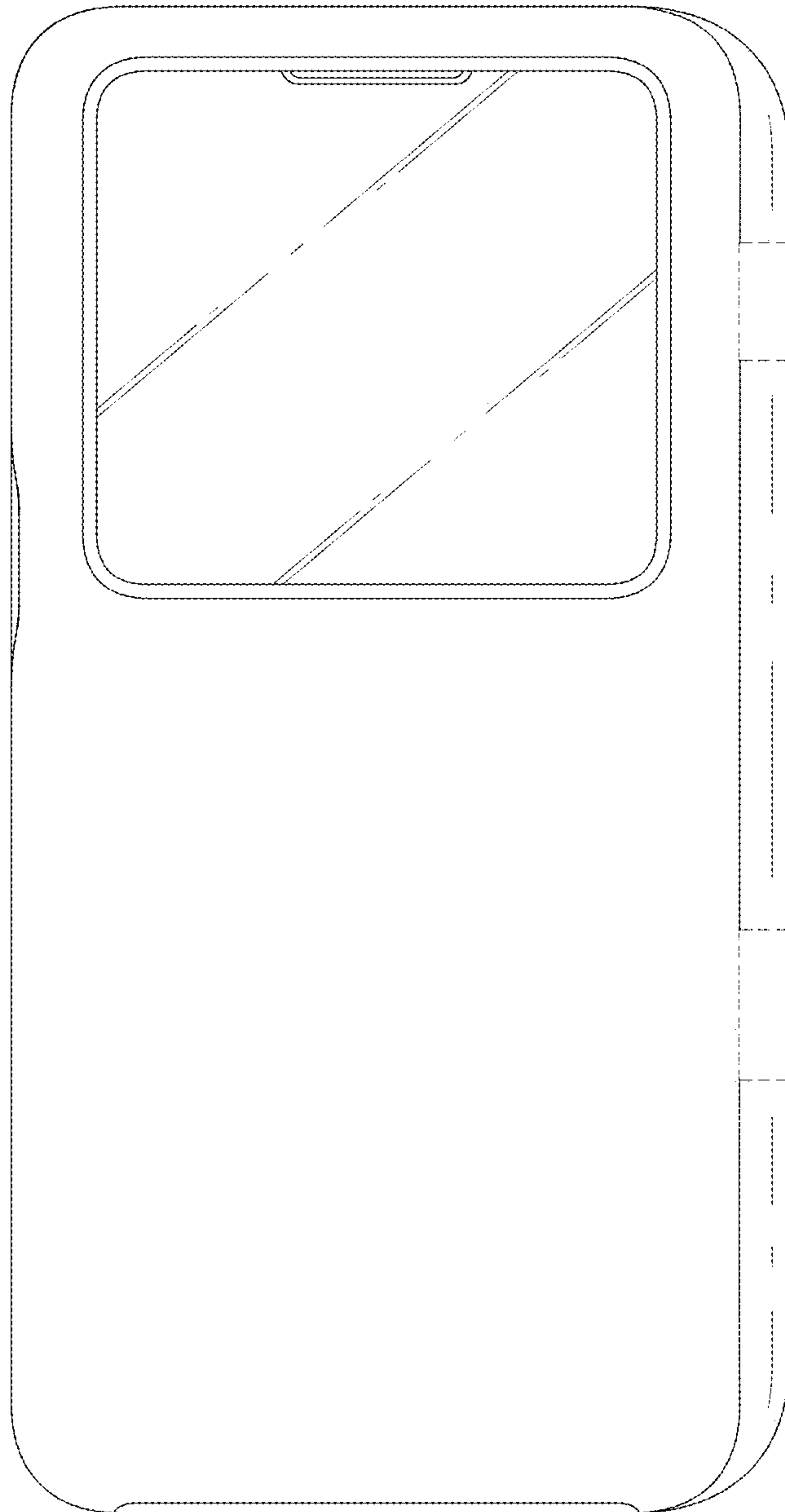
1. 1



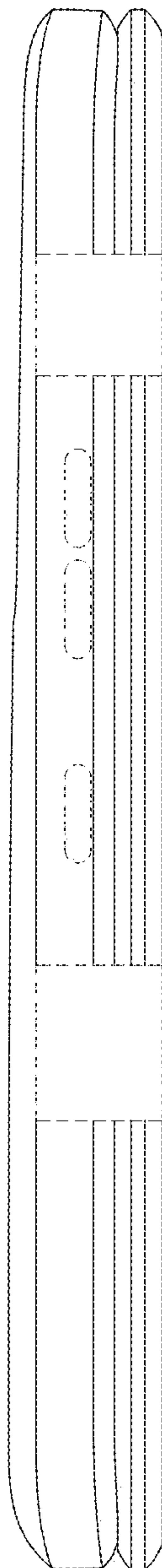
1. 2



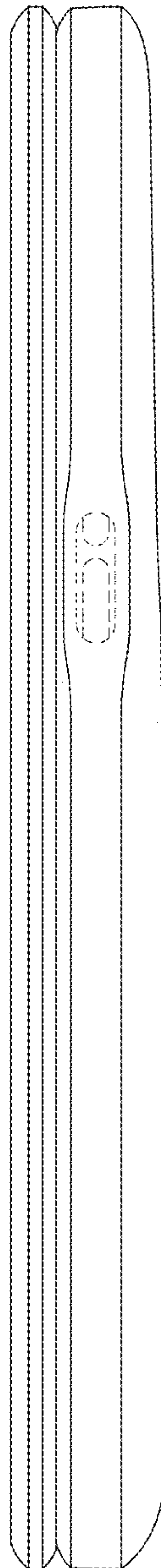
1. 3



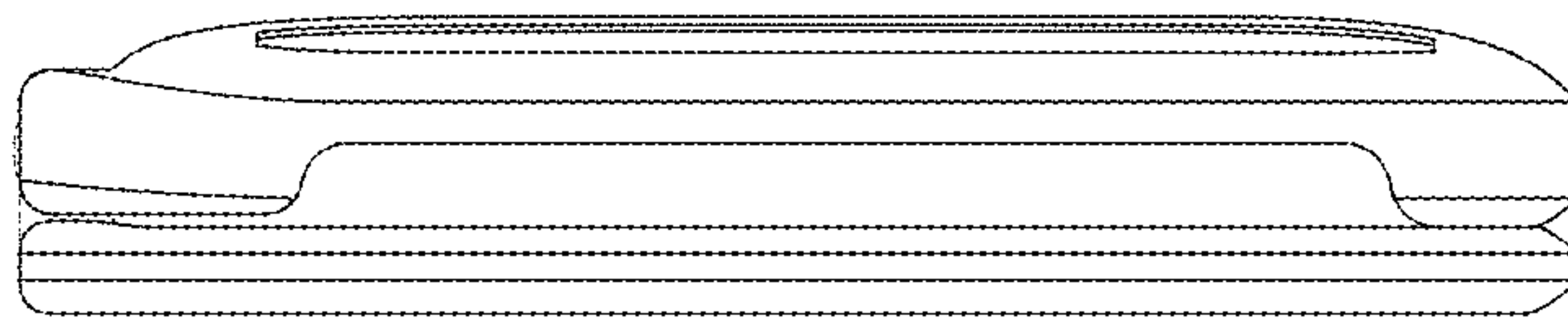
1. 4



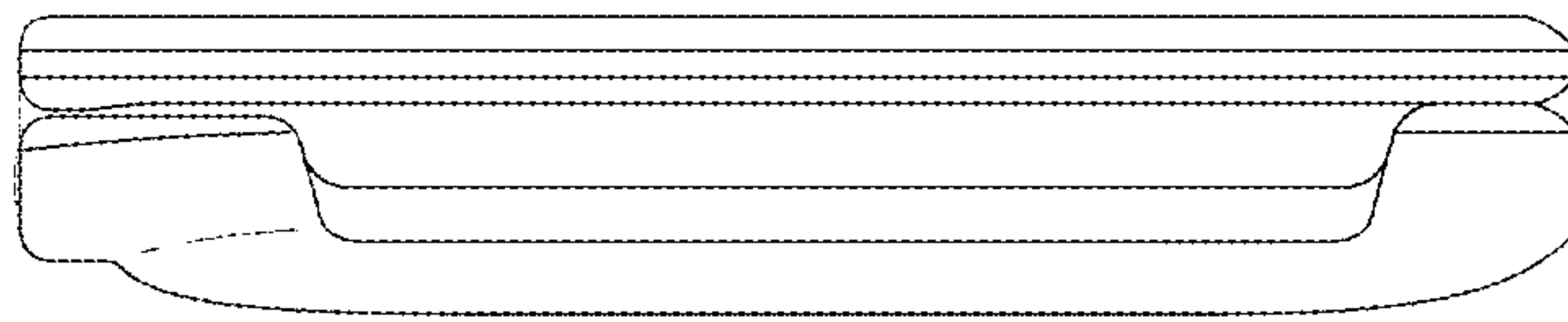
1. 5



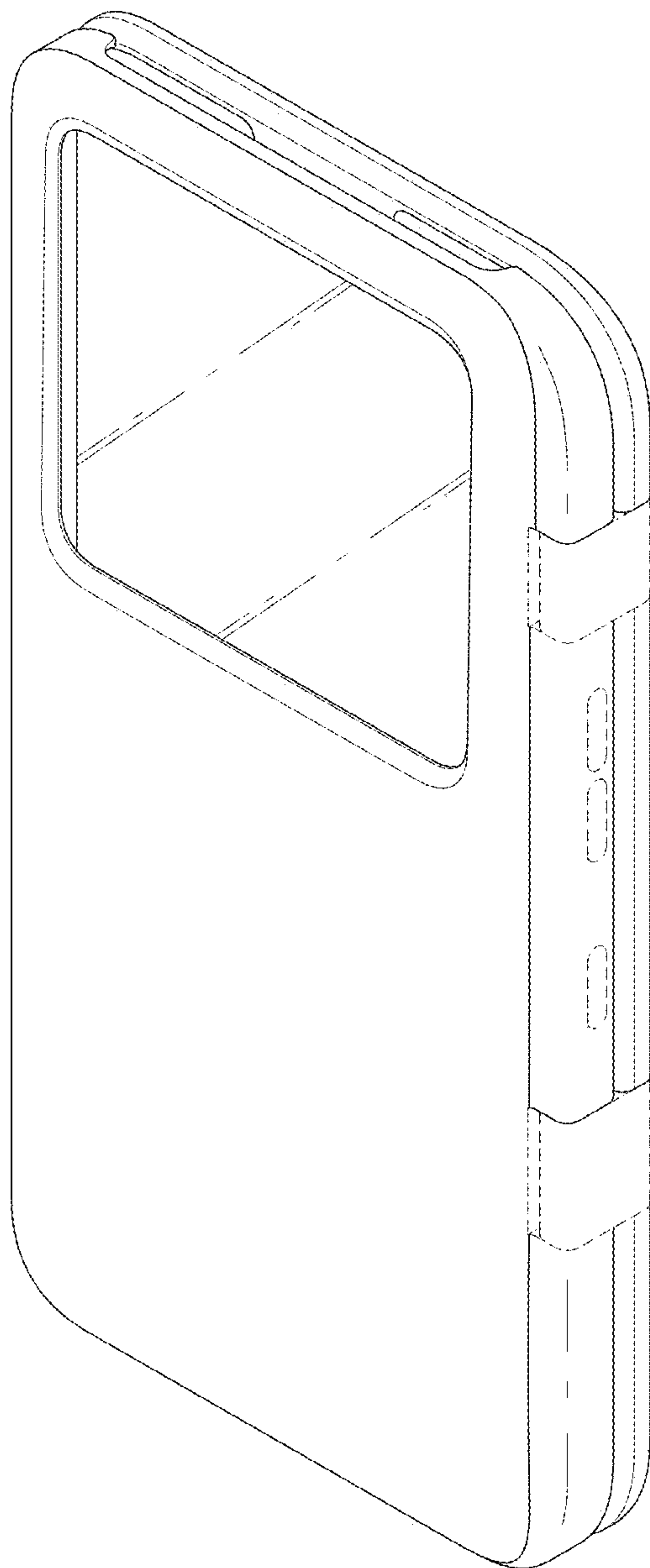
1. 6



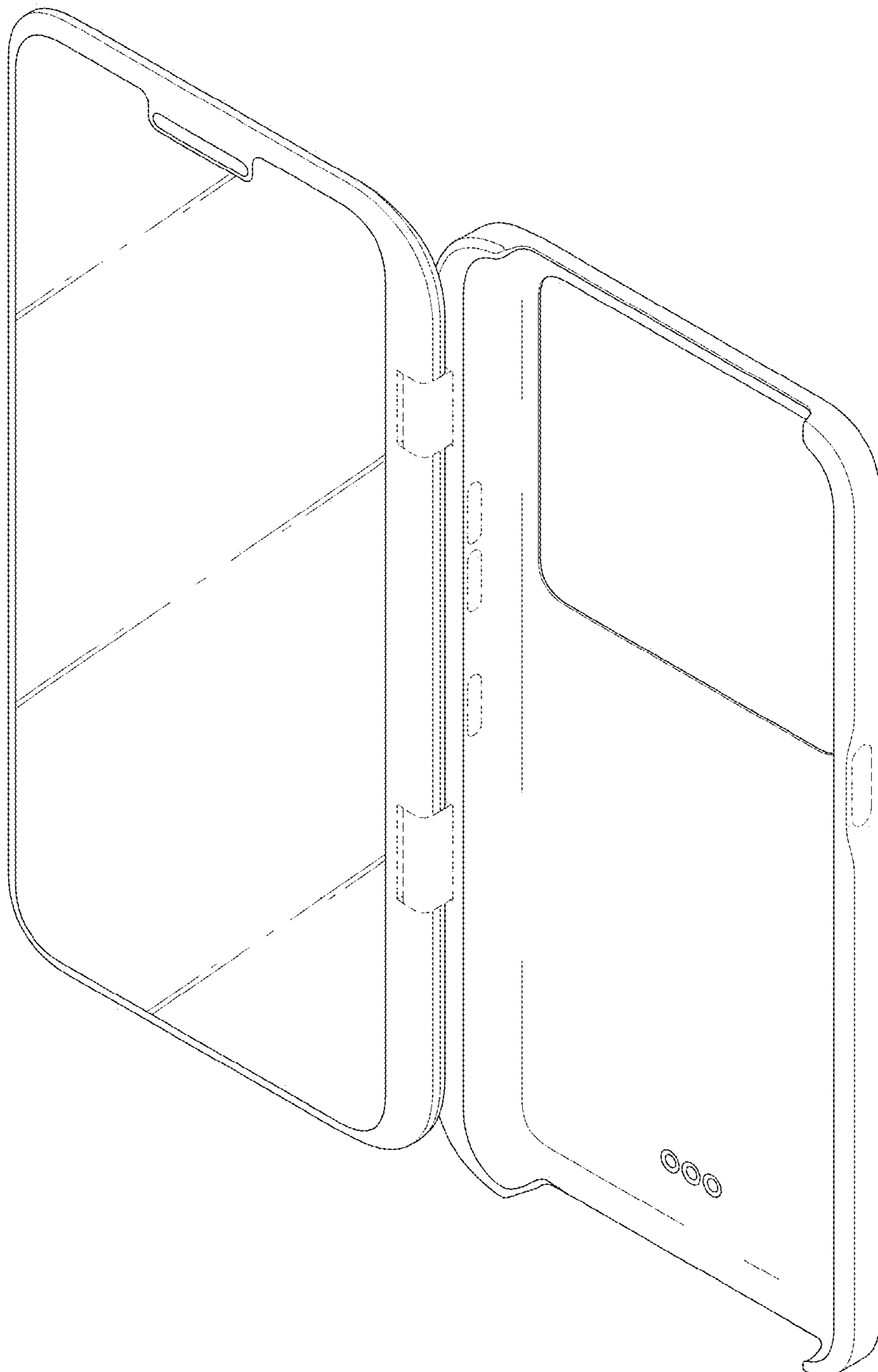
1. 7



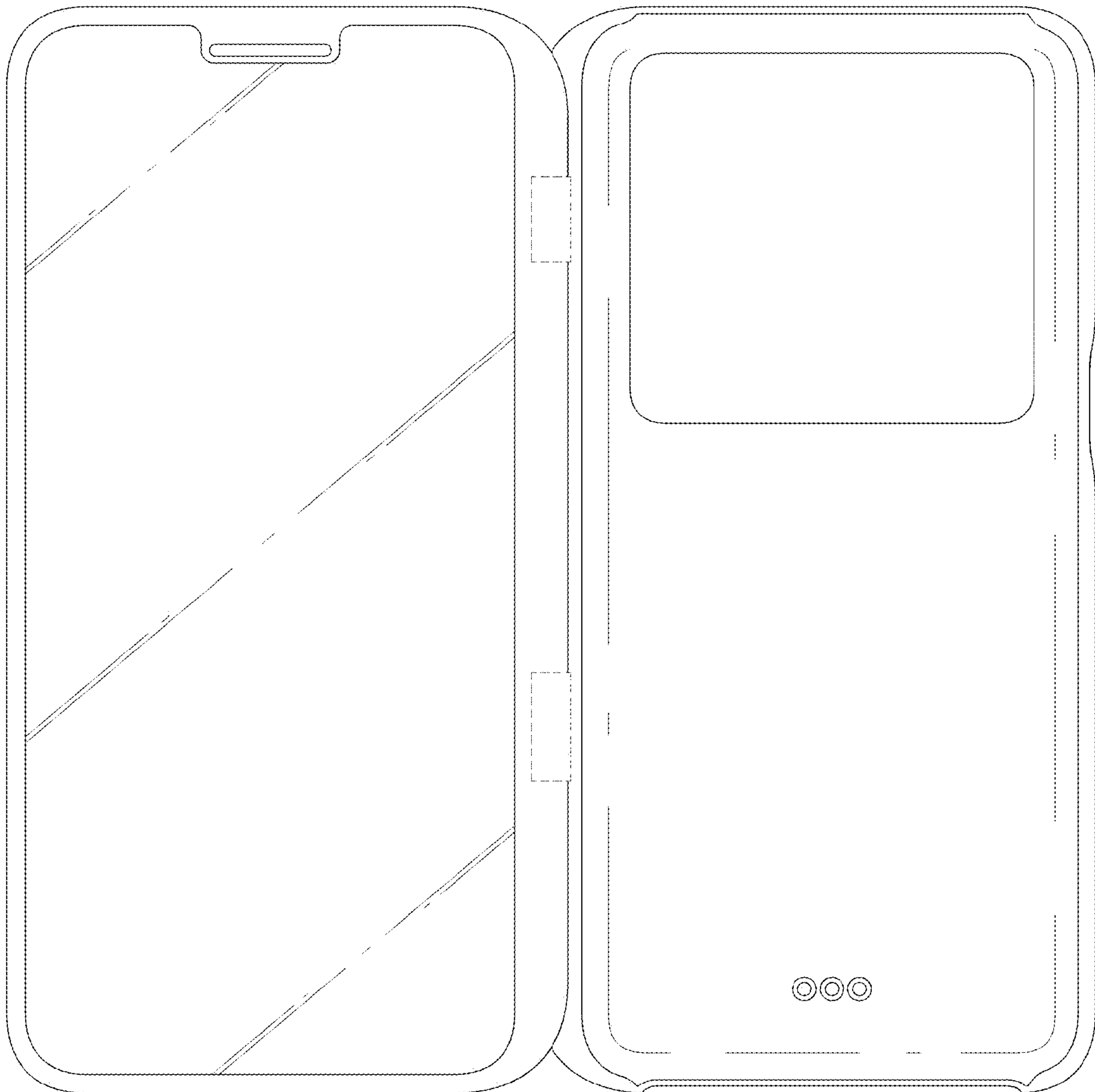
1. 8



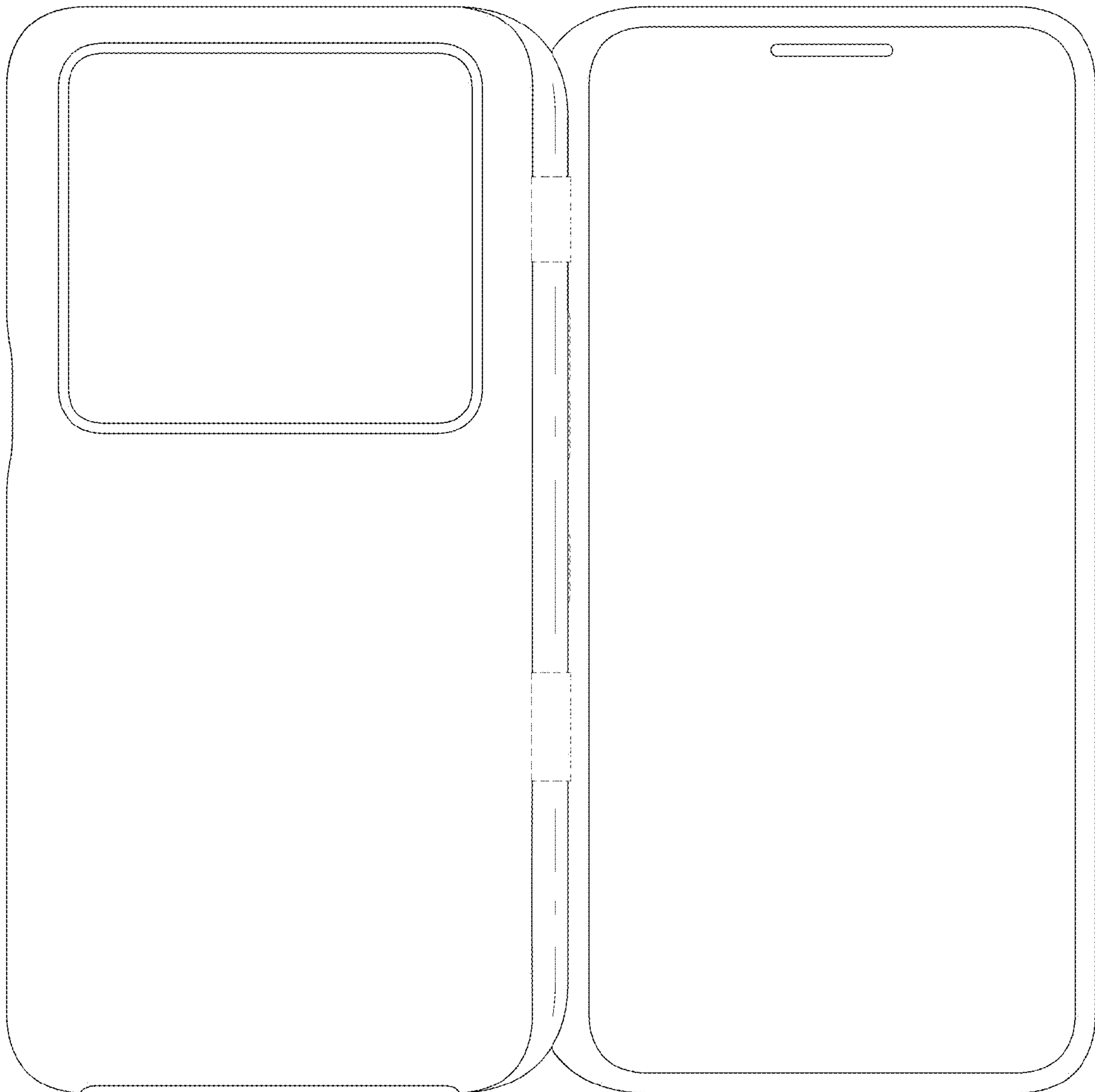
1. 9



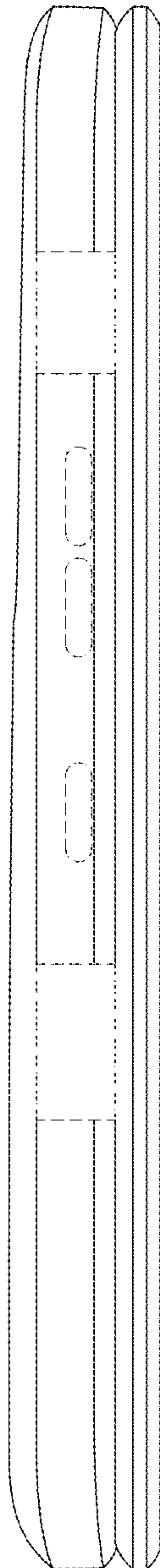
1. 10



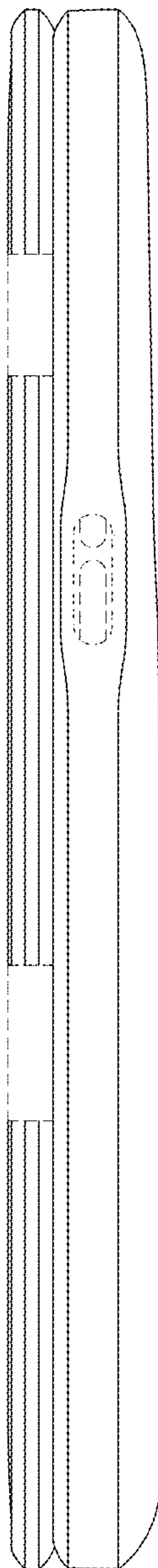
1. 11



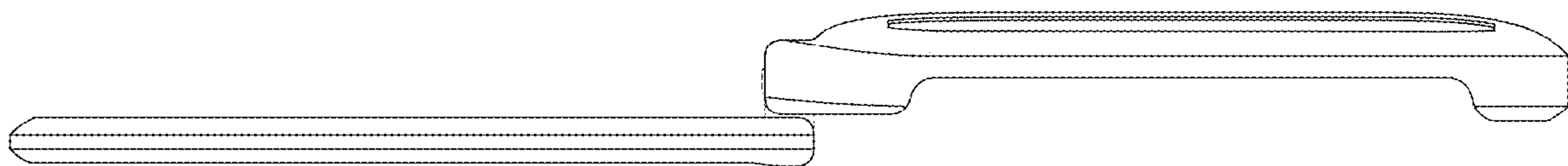
1. 12



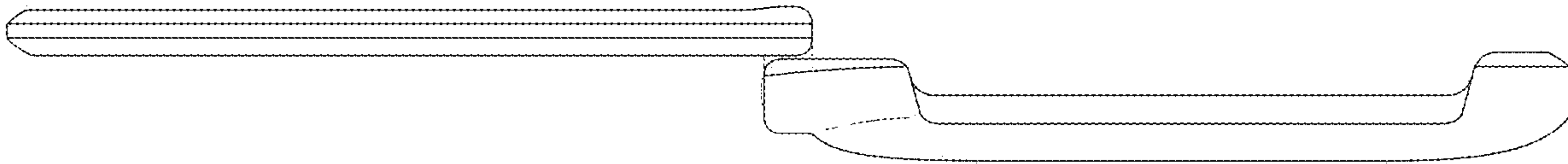
1. 13



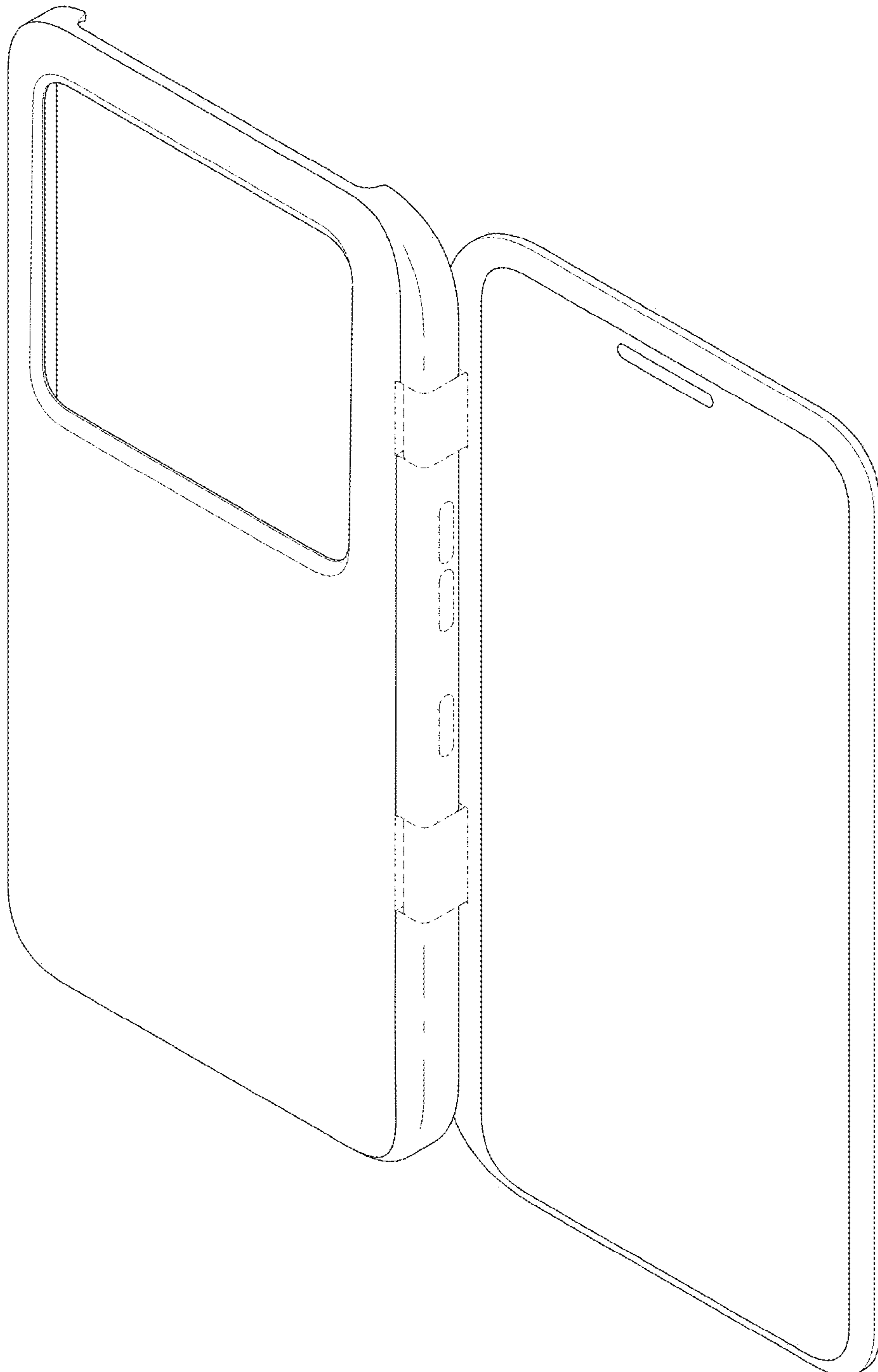
1. 14



1. 15



1. 16



1. 17

