

US00D926739S

(12) **United States Design Patent** (10) **Patent No.:** **US D926,739 S**  
**Akana et al.** (45) **Date of Patent:** **\*\* Aug. 3, 2021**

(54) **CASE FOR AN ELECTRONIC DEVICE**

(71) Applicant: **Apple Inc.**, Cupertino, CA (US)

(72) Inventors: **Jody Akana**, San Francisco, CA (US);  
**Molly Anderson**, San Francisco, CA (US);  
**Bartley K. Andre**, Palo Alto, CA (US);  
**Shota Aoyagi**, San Francisco, CA (US);  
**Anthony Michael Ashcroft**, San Francisco, CA (US);  
**Marine C. Bataille**, San Francisco, CA (US);  
**Jeremy Bataillou**, San Francisco, CA (US);  
**Markus Diebel**, San Francisco, CA (US);  
**M. Evans Hankey**, San Francisco, CA (US);  
**Julian Hoenig**, San Francisco, CA (US);  
**Richard P. Howarth**, San Francisco, CA (US);  
**Jonathan P. Ive**, San Francisco, CA (US);  
**Julian Jaede**, San Francisco, CA (US);  
**Duncan Robert Kerr**, San Francisco, CA (US);  
**Peter Russell-Clarke**, San Francisco, CA (US);  
**Benjamin Andrew Shaffer**, San Jose, CA (US);  
**Mikael Silvanto**, San Francisco, CA (US);  
**Sung-Ho Tan**, San Francisco, CA (US);  
**Clement Tissandier**, San Francisco, CA (US);  
**Eugene Antony Whang**, San Francisco, CA (US);  
**Rico Zörkendörfer**, San Francisco, CA (US)

(73) Assignee: **Apple Inc.**, Cupertino, CA (US)

(\*\*) Term: **15 Years**

(21) Appl. No.: **29/655,330**

(22) Filed: **Jul. 2, 2018**

(51) **LOC (13) Cl.** ..... **14-03**

(52) **U.S. Cl.**  
USPC ..... **D14/250; D13/103**

(58) **Field of Classification Search**

USPC ..... D3/201, 212, 218, 226, 227, 247, 249,  
D3/250, 269, 303; D13/103, 107, 108,  
(Continued)

(56) **References Cited**

U.S. PATENT DOCUMENTS

D574,819 S 8/2008 Andre et al.  
D606,751 S 12/2009 Andre et al.  
(Continued)

FOREIGN PATENT DOCUMENTS

EM 002667527-001 3/2015  
JP D1493988 S 4/2014  
(Continued)

OTHER PUBLICATIONS

The best battery cases for iPhone, publication date Jun. 22, 2017,  
[online][site visited Jan. 21, 2020] URL: <https://9to5mac.com/2017/06/22/best-battery-cases-for-iphone/> (Year: 2017).\*  
(Continued)

*Primary Examiner* — L. A. Grabenstetter  
(74) *Attorney, Agent, or Firm* — Sterne, Kessler,  
Goldstein & Fox P.L.L.C.

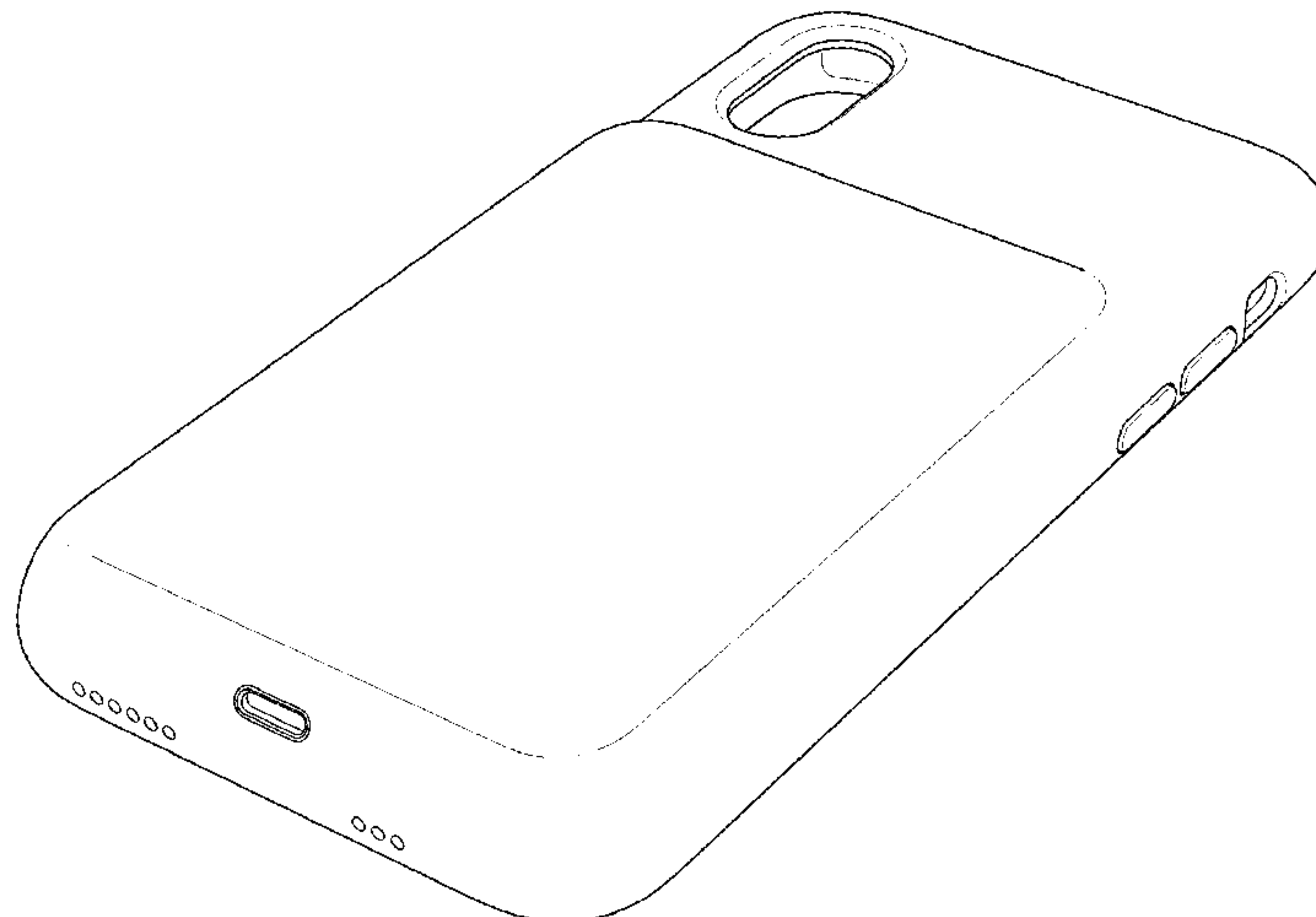
(57) **CLAIM**

The ornamental design for a case for an electronic device, as shown.

**DESCRIPTION**

FIG. 1 is a bottom front perspective view of a case for an electronic device showing the claimed design;  
FIG. 2 is a top front perspective view thereof;  
FIG. 3 is a bottom rear perspective view thereof;  
FIG. 4 is a top rear perspective view thereof;  
FIG. 5 is a front view thereof;  
FIG. 6 is a rear view thereof;  
FIG. 7 is a left side view thereof;  
FIG. 8 is a right side view thereof;  
FIG. 9 is a top view thereof; and,  
FIG. 10 is a bottom view thereof.

**1 Claim, 8 Drawing Sheets**



- (58) **Field of Classification Search**  
 USPC ..... D13/119; D14/137, 138 R, 138 AA,  
                   D14/138 C, 138 G, 172, 192,  
                   D14/203.3–203.7, 217, 238.1, 247, 248,  
                   D14/250–253, 434, 440, 447, 496  
 CPC ..... H04B 1/3888; H04M 1/0283;  
                   H04M 1/0202; A45C 1/06; A45C  
                   2011/002; A45C 11/00; A45F 2005/028;  
                   A45F 2200/0525  
 See application file for complete search history.

(56) **References Cited**  
 U.S. PATENT DOCUMENTS

D619,361 S 7/2010 Andre et al.  
 D644,218 S 8/2011 Akana et al.  
 D649,963 S 12/2011 Jones, III et al.  
 D651,791 S 1/2012 Cataldo et al.  
 D654,931 S 2/2012 Lemelman et al.  
 D656,495 S 3/2012 Andre et al.  
 D670,281 S 11/2012 Corpuz et al.  
 D671,930 S 12/2012 Akana et al.  
 D677,249 S 3/2013 Li et al.  
 D684,539 S 6/2013 Akana et al.  
 D684,976 S 6/2013 Akana et al.  
 D688,655 S 8/2013 Rey-Hipolito et al.  
 D703,145 S 4/2014 Akana et al.  
 D703,651 S 4/2014 Ehrlich et al.  
 D705,199 S 5/2014 Huang et al.  
 D710,346 S \* 8/2014 Smith ..... D14/250  
 D711,312 S 8/2014 Tien et al.  
 D711,863 S 8/2014 Wen et al.  
 D713,350 S 9/2014 Akana et al.  
 D713,796 S 9/2014 Akana et al.  
 D714,274 S 9/2014 Jung et al.  
 D718,293 S 11/2014 Namminga et al.  
 D718,754 S 12/2014 To et al.  
 D721,356 S 1/2015 Hasbrook et al.  
 D721,360 S 1/2015 Laffon De Mazieres et al.  
 D721,649 S 1/2015 Tsai et al.  
 D721,685 S 1/2015 Hasbrook et al.  
 D721,687 S 1/2015 To et al.

D722,043 S 2/2015 Requa et al.  
 D723,530 S 3/2015 Namminga et al.  
 D723,532 S 3/2015 Stevinson et al.  
 D726,703 S 4/2015 Akana et al.  
 D727,907 S 4/2015 Higashi et al.  
 D730,340 S 5/2015 Akana et al.  
 D731,434 S 6/2015 Akana et al.  
 D732,011 S 6/2015 Stevinson et al.  
 D732,012 S 6/2015 Tsai et al.  
 D732,518 S 6/2015 Akana et al.  
 D743,389 S 11/2015 Akana et al.  
 D750,609 S 3/2016 Daniel et al.  
 D756,980 S 5/2016 Beeman et al.  
 D759,004 S \* 6/2016 Stevinson ..... D14/250  
 D760,209 S 6/2016 Weng et al.  
 D760,710 S 7/2016 Ozolins et al.  
 D760,721 S 7/2016 Akana et al.  
 D771,612 S \* 11/2016 Roberts ..... D14/250  
 D788,759 S 6/2017 Akana et al.  
 D789,346 S 6/2017 Akana et al.  
 D803,209 S 11/2017 Akana et al.  
 D806,705 S 1/2018 Akana et al.  
 D832,245 S \* 10/2018 Jeon ..... D14/250  
 D835,087 S \* 12/2018 Wilder ..... D14/250  
 10,225,954 B2 \* 3/2019 Rasmussen ..... G06F 1/1628  
 D848,408 S \* 5/2019 Akana ..... D14/250  
 D883,917 S \* 5/2020 Chen ..... D13/103  
 2010/0124040 A1 5/2010 Diebel et al.  
 2014/0079237 A1 3/2014 Cataldo et al.

FOREIGN PATENT DOCUMENTS

KR 300631697 3/2012  
 TW D164353 S 11/2014  
 TW D165197 S 1/2015

OTHER PUBLICATIONS

We test the Air Case, the ‘world’s thinnest iPhone battery case’,  
 publication date May 11, 2016, [online][site visited Feb. 25, 2021]  
 URL: <https://www.cnet.com/news/we-test-the-worlds-thinnest-iphone-battery-case/> (Year: 2016).\*

\* cited by examiner

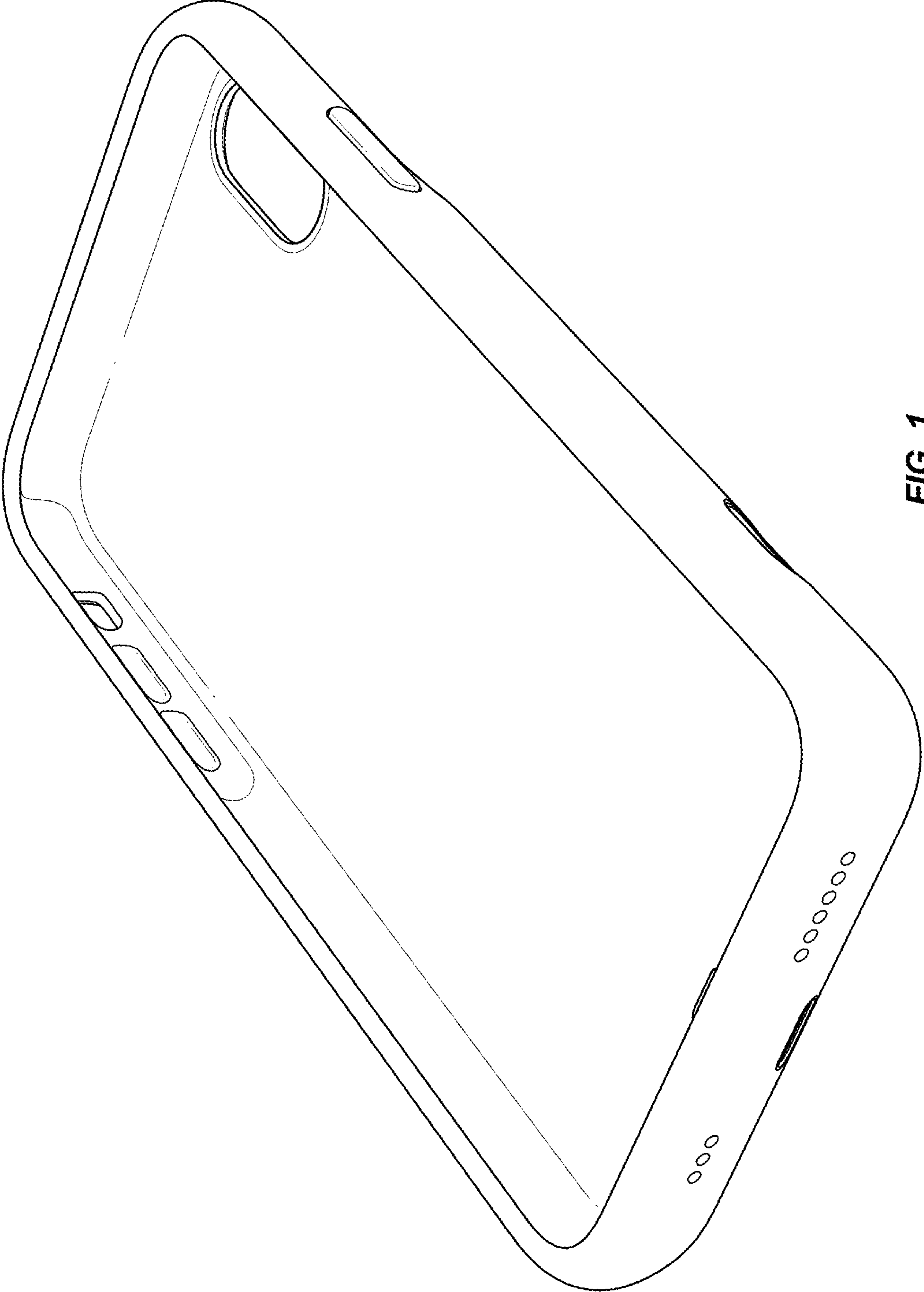


FIG. 1

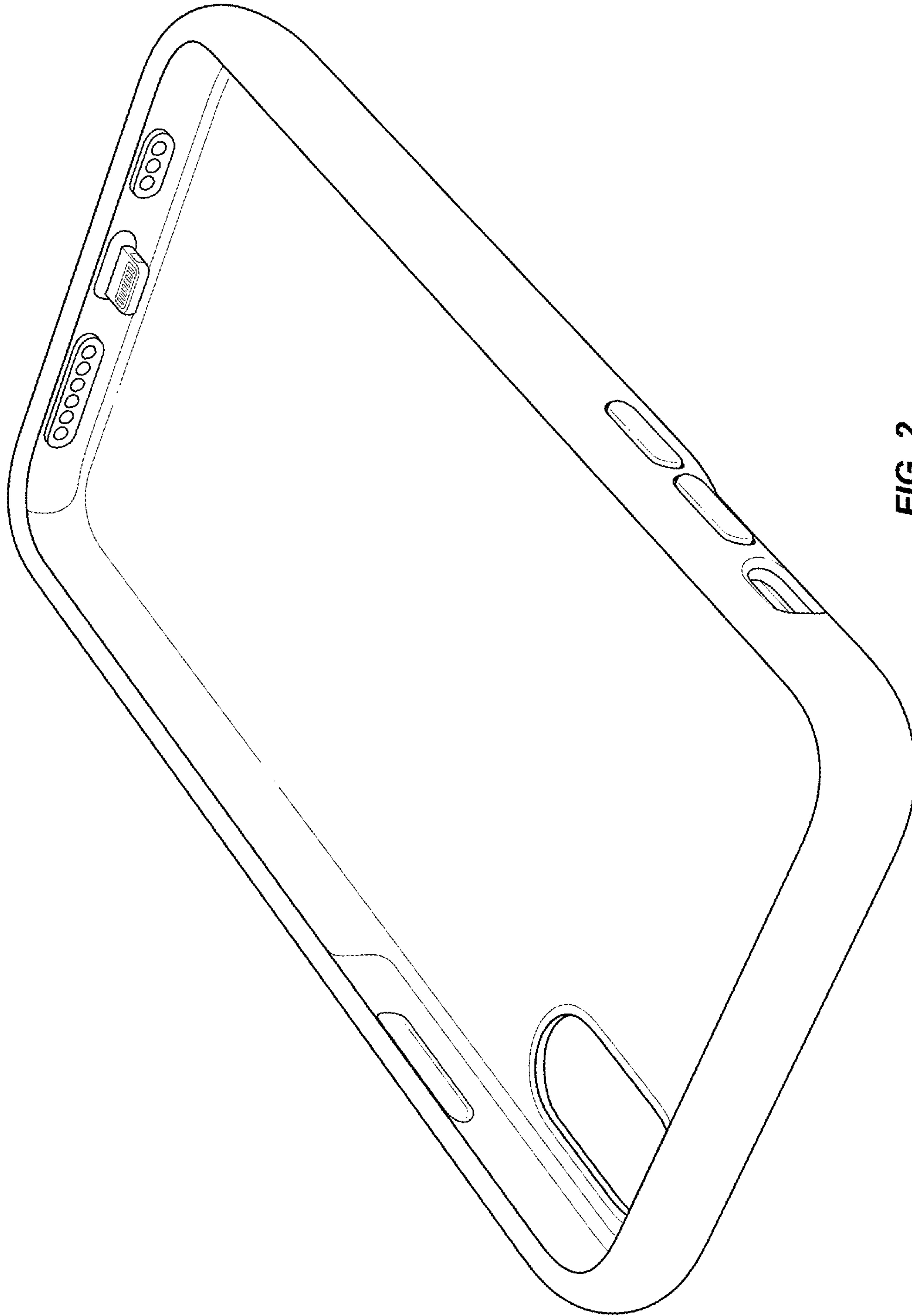


FIG. 2



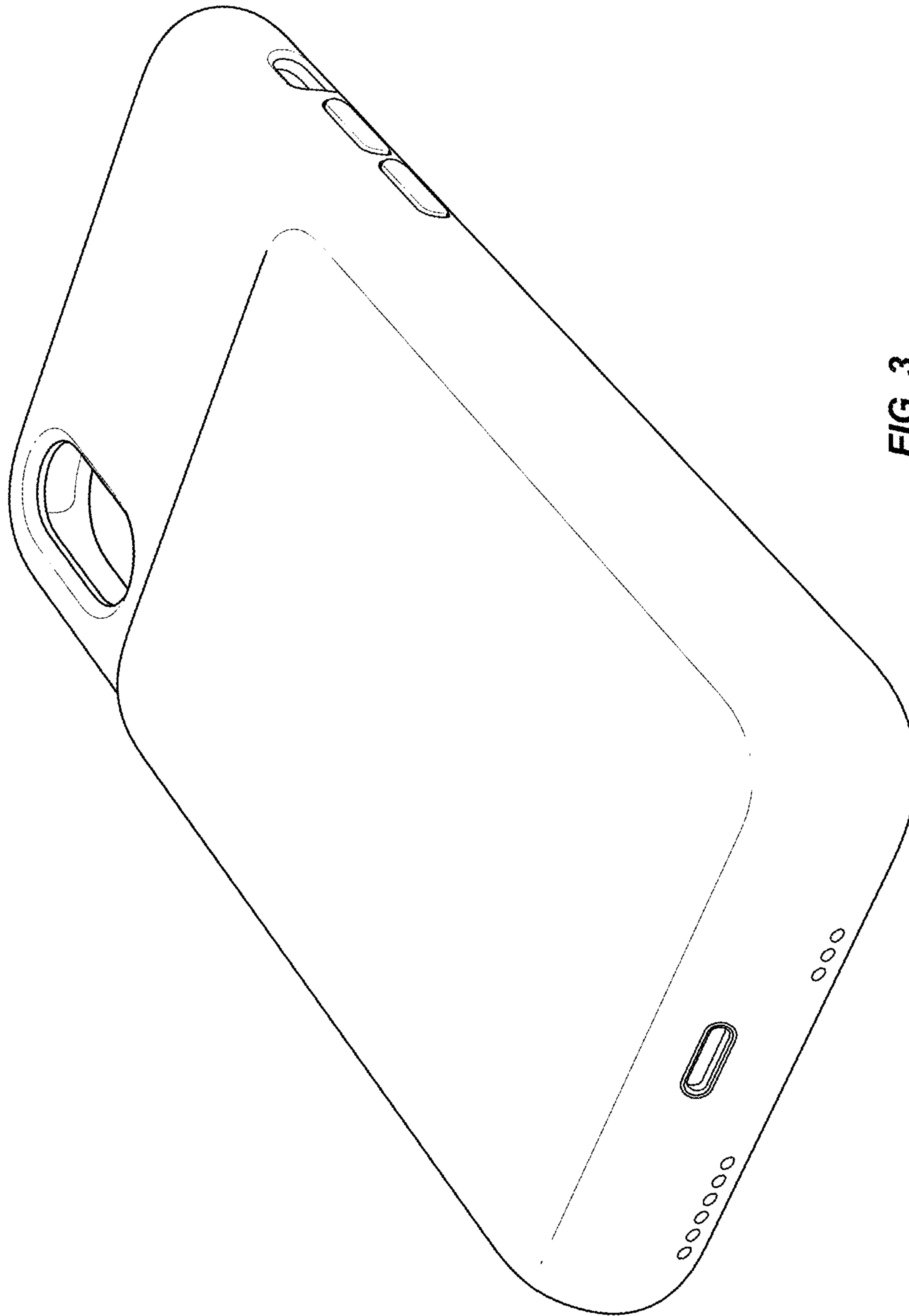


FIG. 3

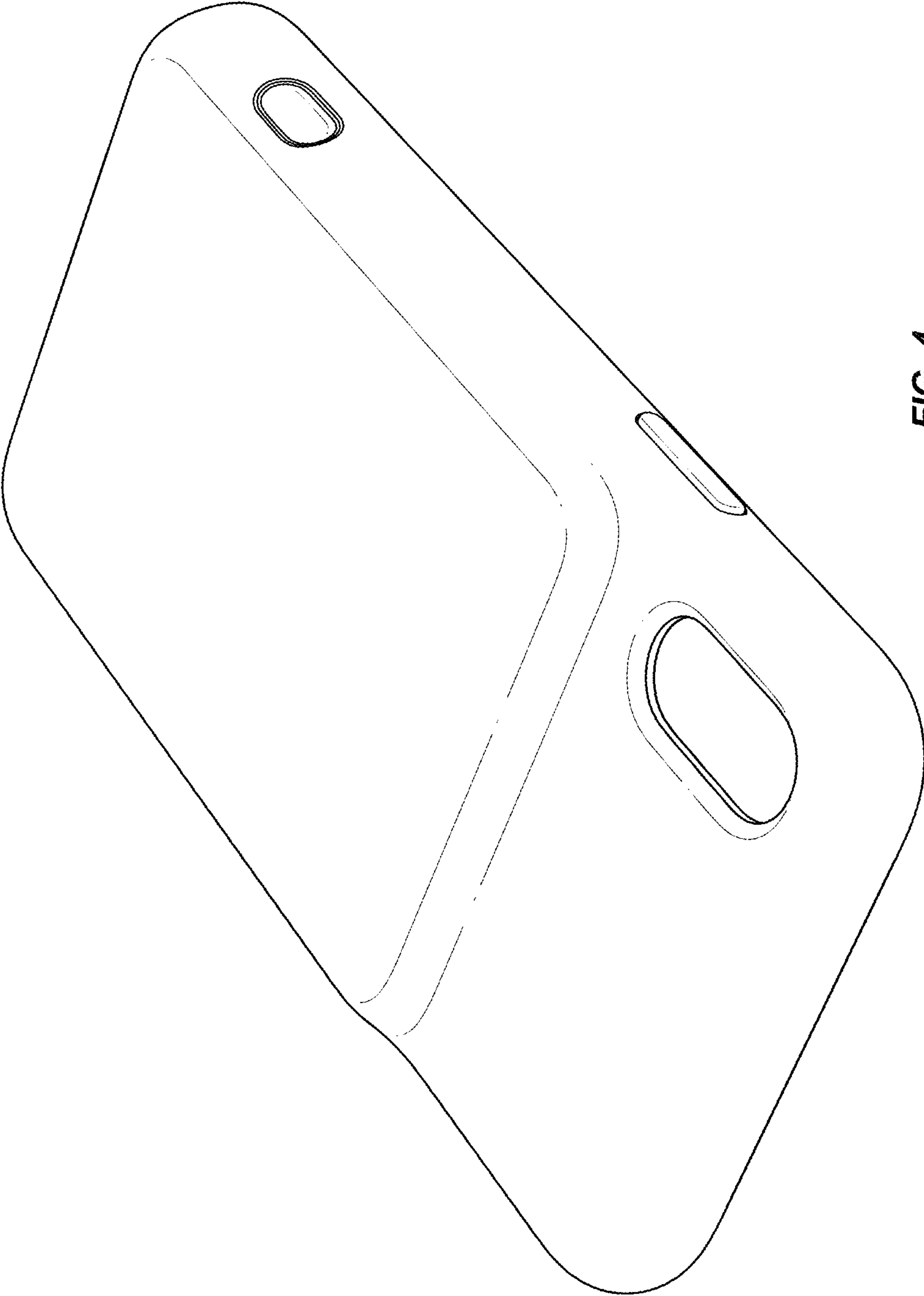
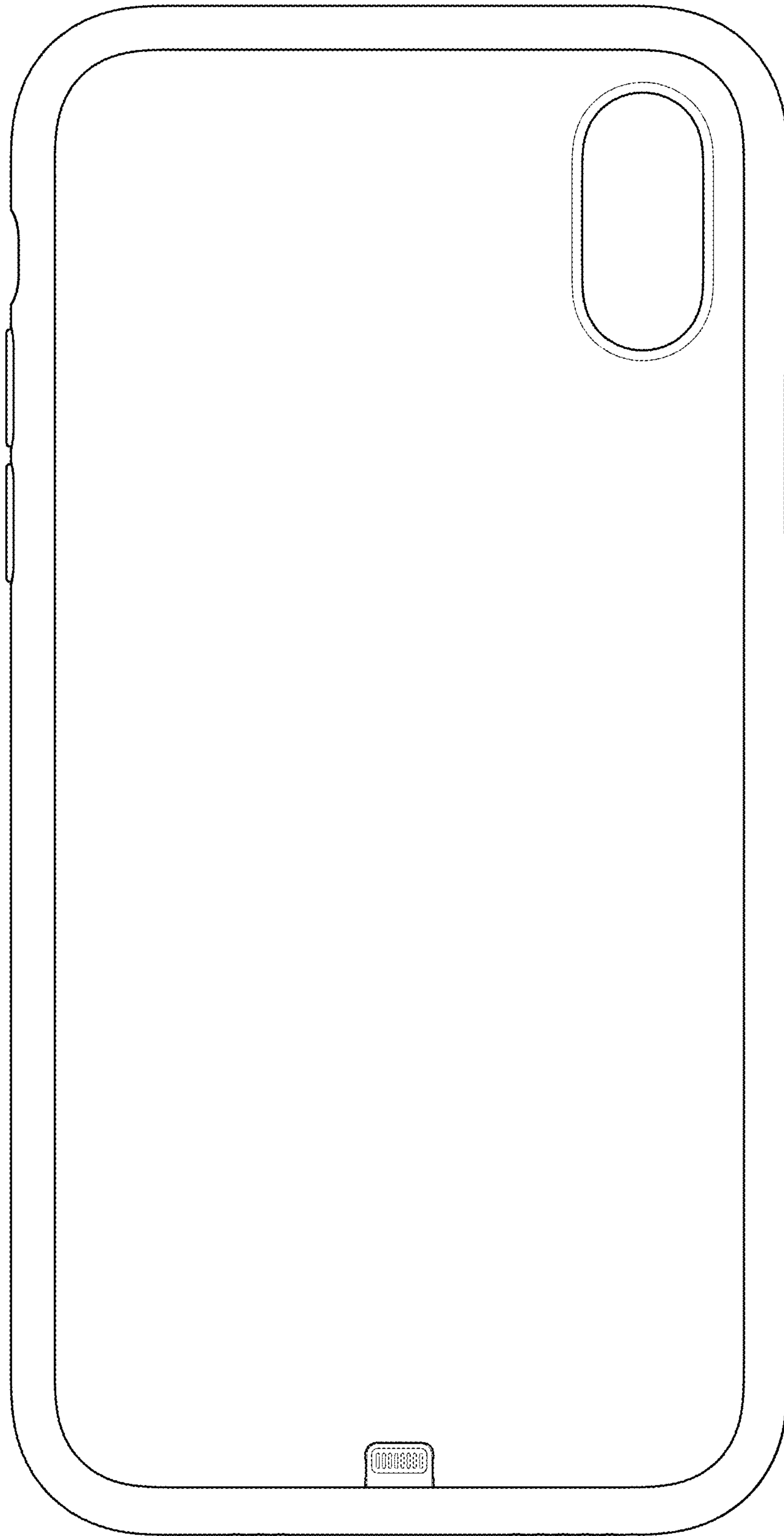


FIG. 4



**FIG. 5**

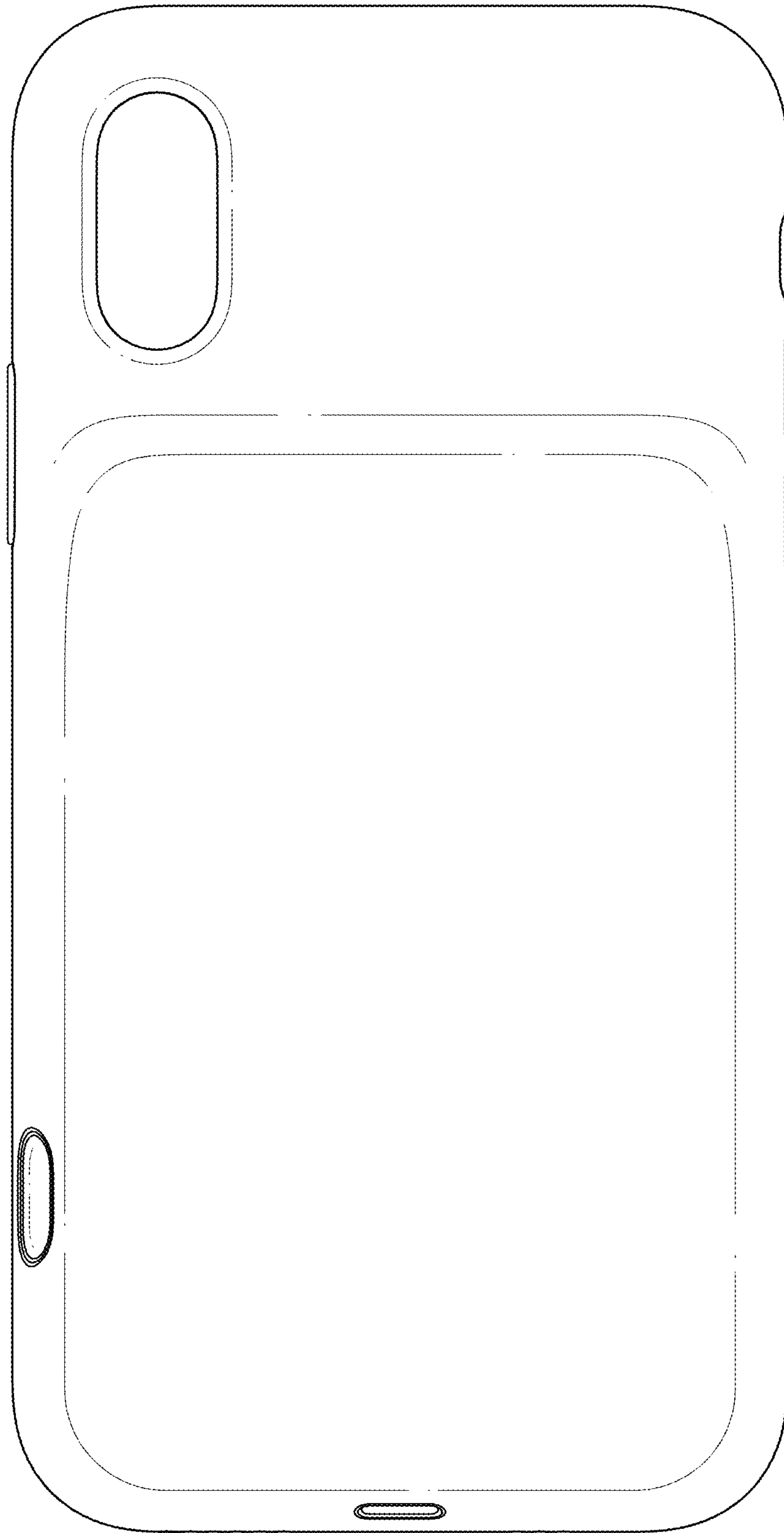
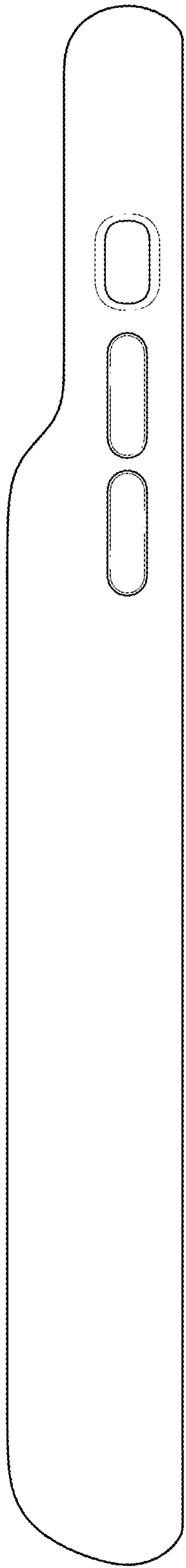
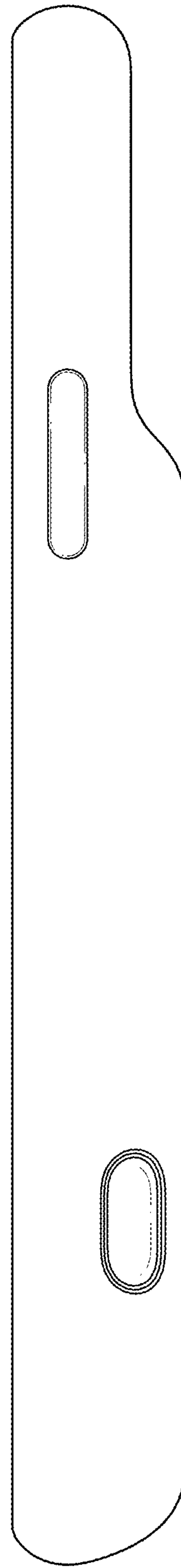


FIG. 6

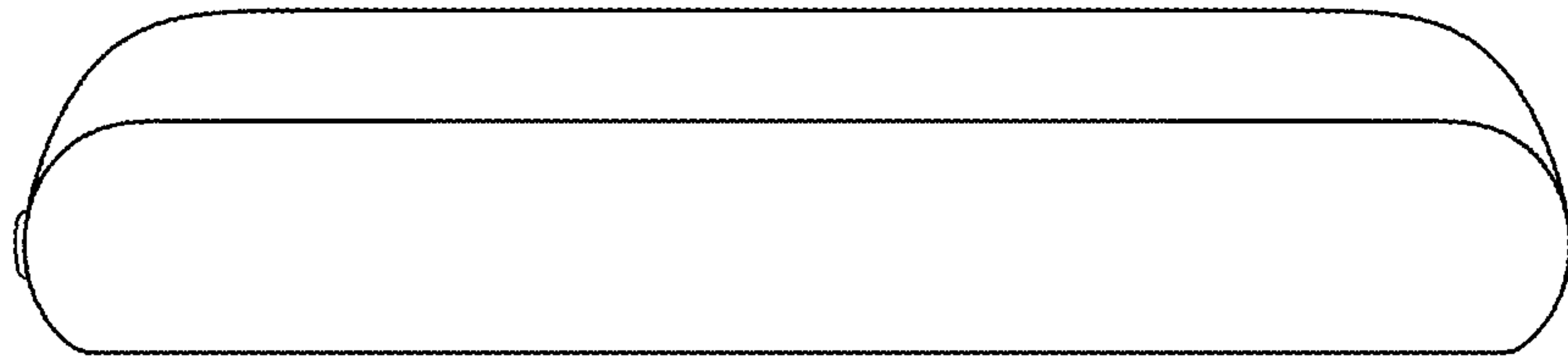




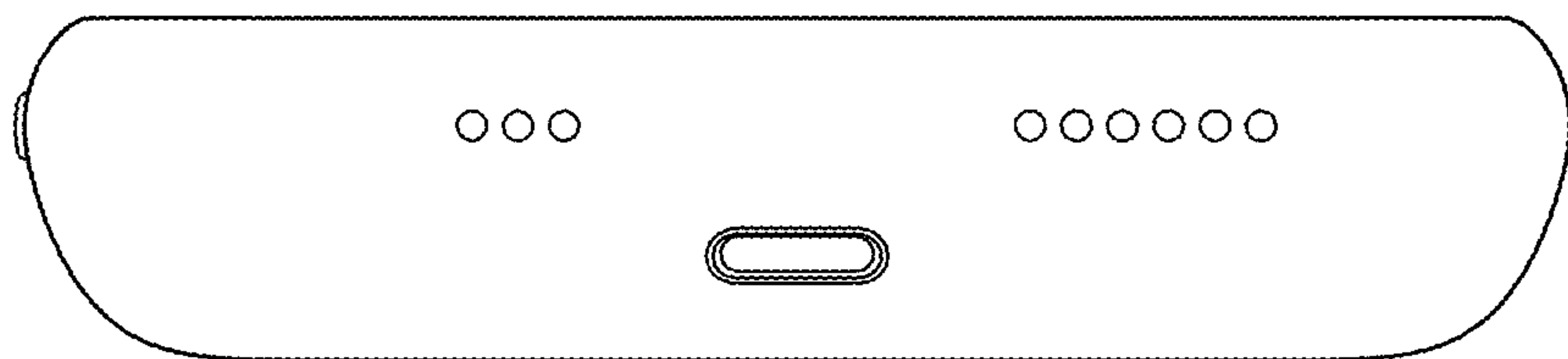
**FIG. 7**



**FIG. 8**



**FIG. 9**



**FIG. 10**