



US00D926737S

(12) **United States Design Patent** (10) **Patent No.:** **US D926,737 S**
Borst (45) **Date of Patent:** **** Aug. 3, 2021**

(54) **HOUSING FOR UNIVERSAL ANTENNA MOUNT**
(71) Applicant: **Tom Borst**, Clayton, CA (US)
(72) Inventor: **Tom Borst**, Clayton, CA (US)
(**) Term: **15 Years**
(21) Appl. No.: **29/728,590**
(22) Filed: **Mar. 19, 2020**
(51) **LOC (13) Cl.** **14-03**
(52) **U.S. Cl.**
USPC **D14/238**
(58) **Field of Classification Search**
USPC D8/349, 354; D14/238; D15/138, 199
CPC H01Q 1/1242; H01Q 1/1207
See application file for complete search history.

D544,472 S * 6/2007 Chiang D14/238
D579,009 S * 10/2008 Su D14/230
D592,196 S * 5/2009 Kahn D14/237
D593,079 S * 5/2009 Schmitz D14/238
D609,030 S * 2/2010 Barabas D14/238
D611,461 S * 3/2010 Schmitz D14/238
D626,118 S * 10/2010 Schmitz D14/238
D658,638 S * 5/2012 Podduturi D14/230
D659,686 S * 5/2012 Podduturi D14/230
D829,531 S * 10/2018 Kanter D8/354
D829,533 S * 10/2018 Kanter D8/354
D831,014 S * 10/2018 Delibie D14/242
D872,718 S * 1/2020 Bian D14/238
2003/0189527 A1 * 10/2003 Goncalves H01Q 1/1242
343/890
2010/0025559 A1 * 2/2010 Rathbone H01Q 1/1228
248/534

* cited by examiner

Primary Examiner — Patricia A Palasik
(74) *Attorney, Agent, or Firm* — James E. Brunton

(56) **References Cited**

U.S. PATENT DOCUMENTS

4,103,305 A * 7/1978 Gualano H01Q 1/084
343/715
D249,517 S * 9/1978 Parduhn 343/715
D272,537 S * 2/1984 Spycher D14/238
D279,473 S * 7/1985 Hochstetler D14/238
4,939,524 A * 7/1990 Blaese H01Q 1/1285
343/713
D314,576 S * 2/1991 Hutchison D14/238
D357,922 S * 5/1995 Nysether D14/238
D358,820 S * 5/1995 Gunnarsson D14/238
D361,067 S * 8/1995 Brehmer D14/238
D361,068 S * 8/1995 Brehmer D14/238
D363,936 S * 11/1995 Nysether D14/238
D366,877 S * 2/1996 Gipson D14/238
D380,474 S * 7/1997 Pietrangelo D14/231
D491,171 S * 6/2004 Hysten D14/238

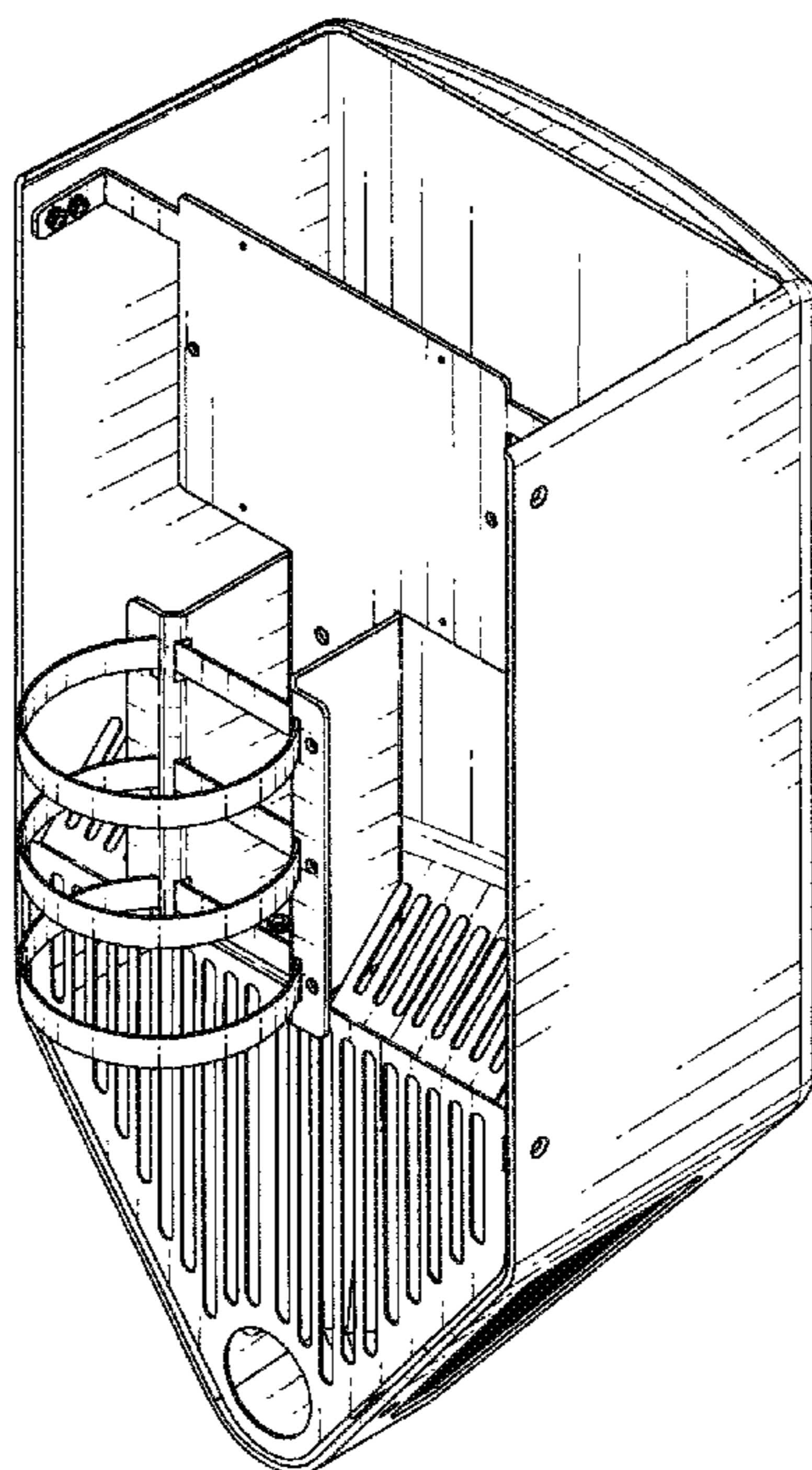
(57) **CLAIM**

The ornamental design for a “housing for universal antenna mount,” as shown.

DESCRIPTION

FIG. 1 is a generally perspective rear view of a “housing for universal antenna mount” showing the new design;
FIG. 2 is a front view of a “housing for universal antenna mount” showing the new design;
FIG. 3 is a rear view thereof;
FIG. 4 is a left side view thereof;
FIG. 5 is a right side view thereof;
FIG. 6 is a top view thereof; and,
FIG. 7 is a bottom view thereof.

1 Claim, 4 Drawing Sheets



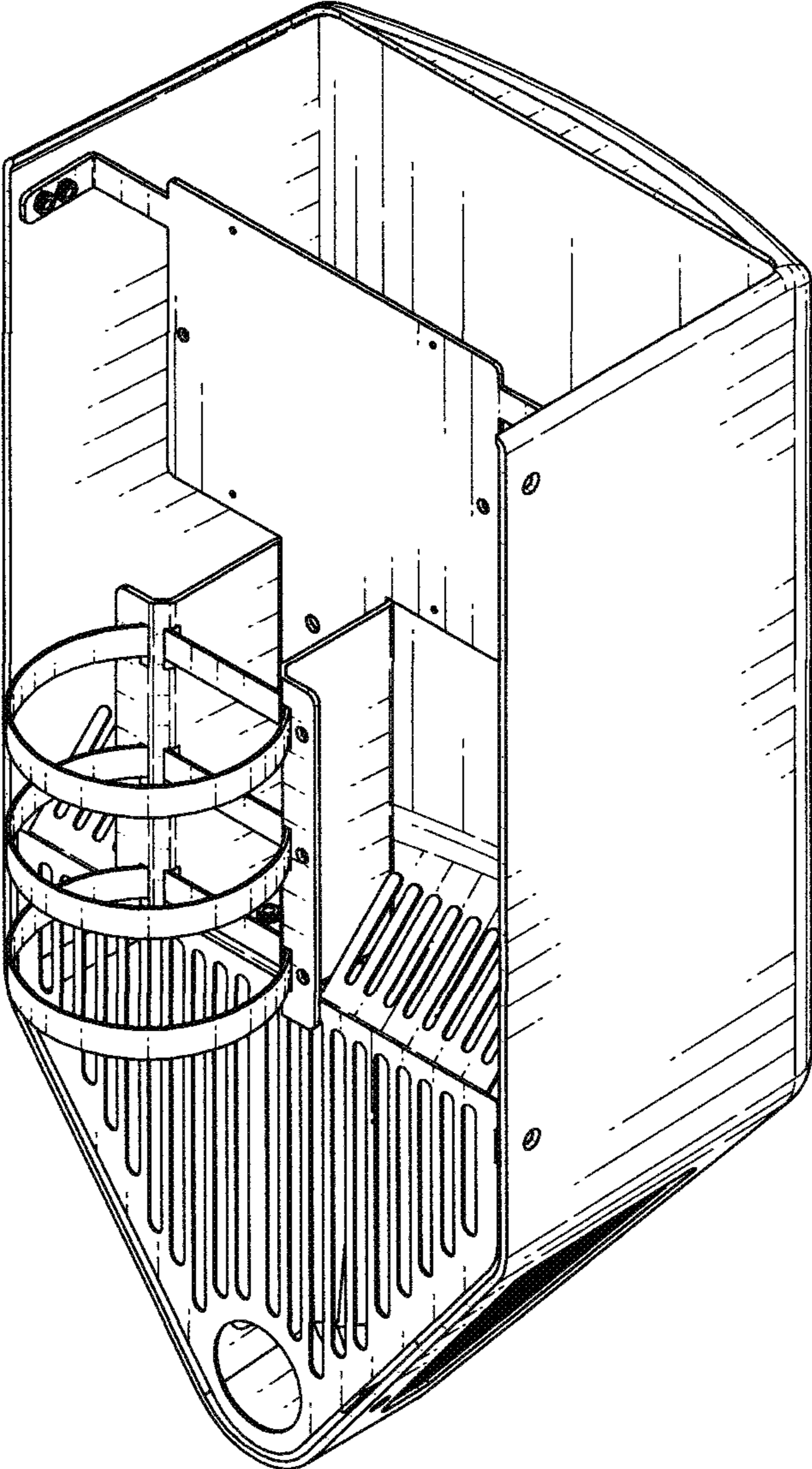


FIG. 1

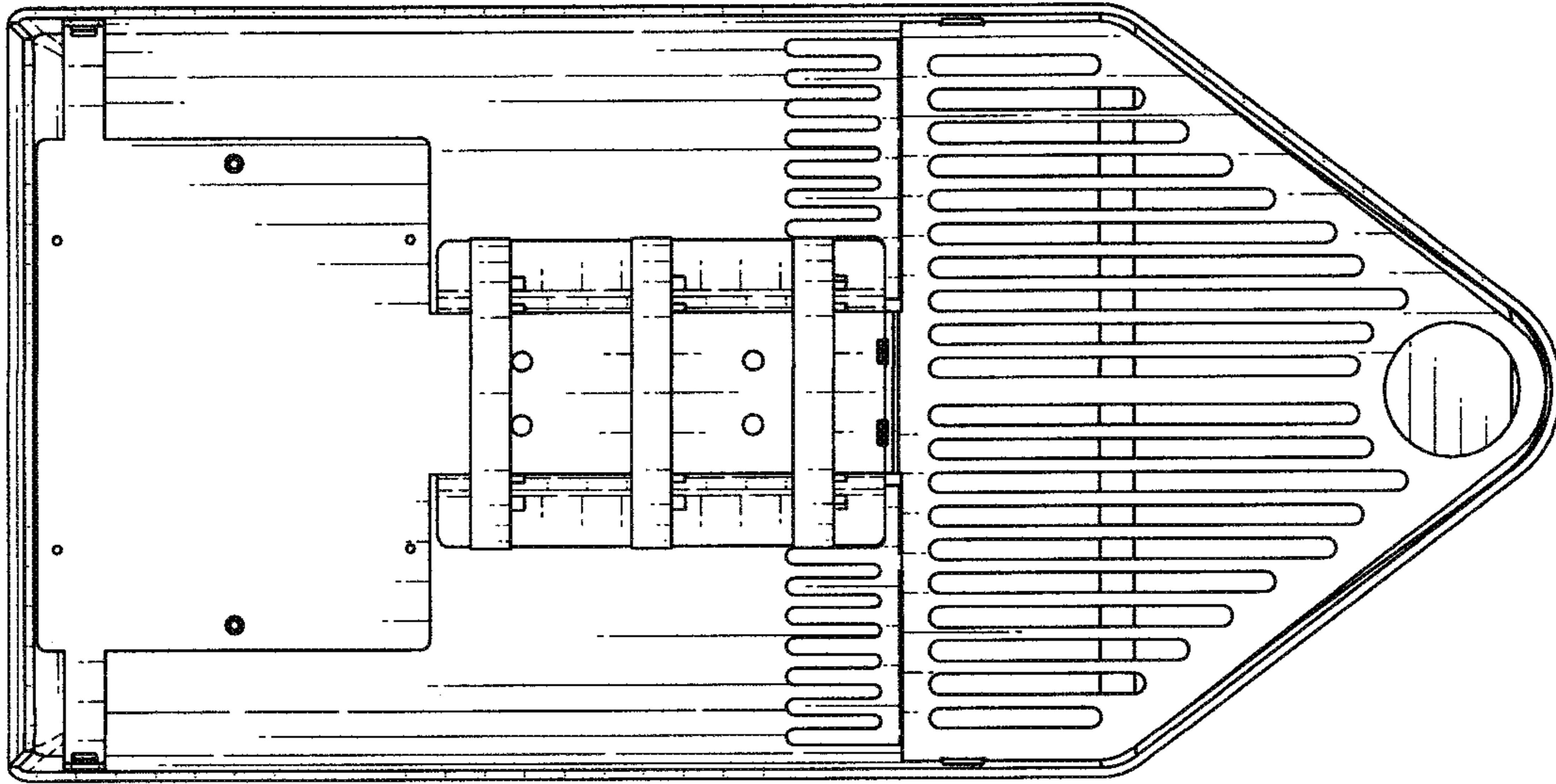


FIG. 3

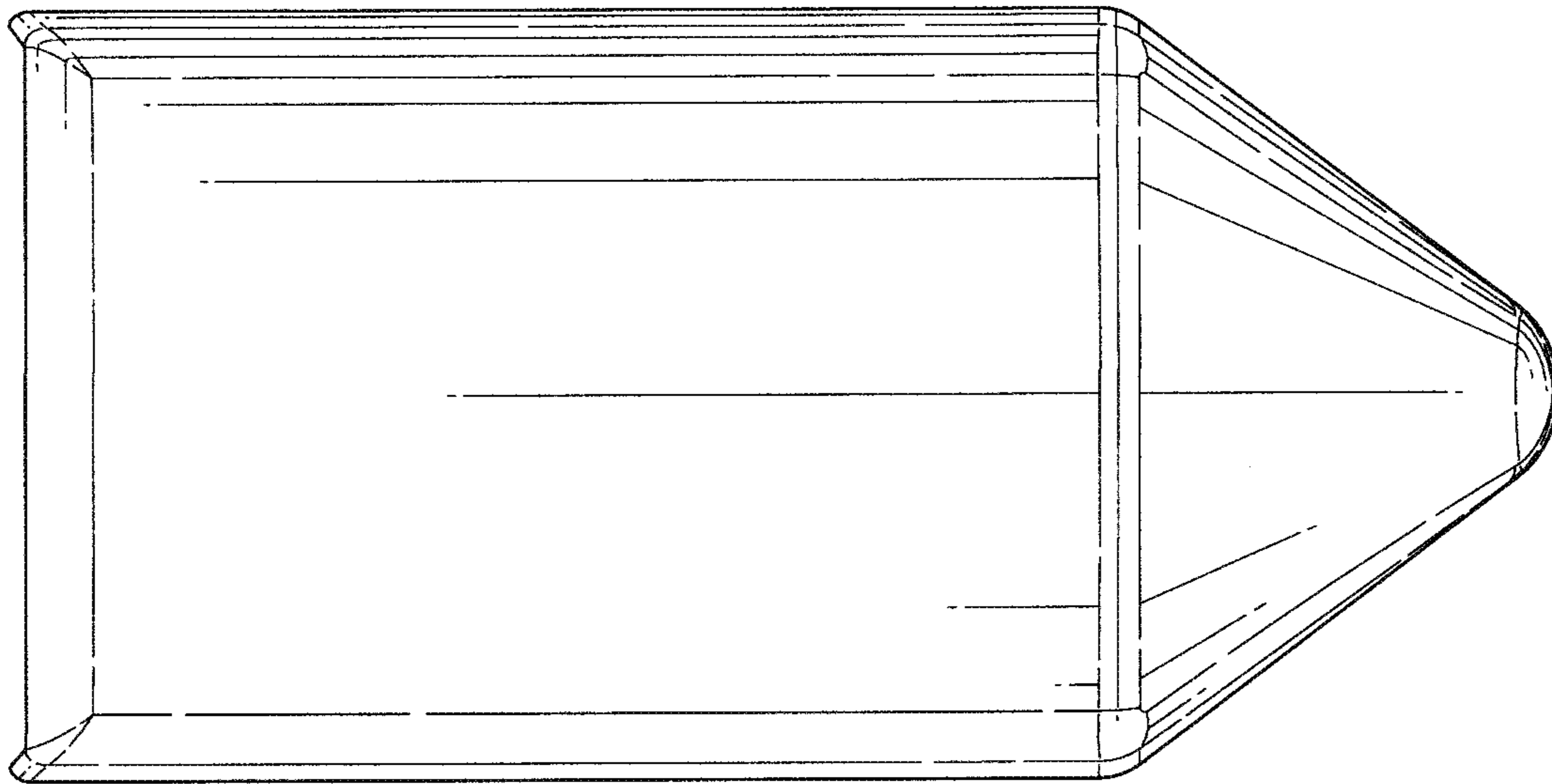


FIG. 2

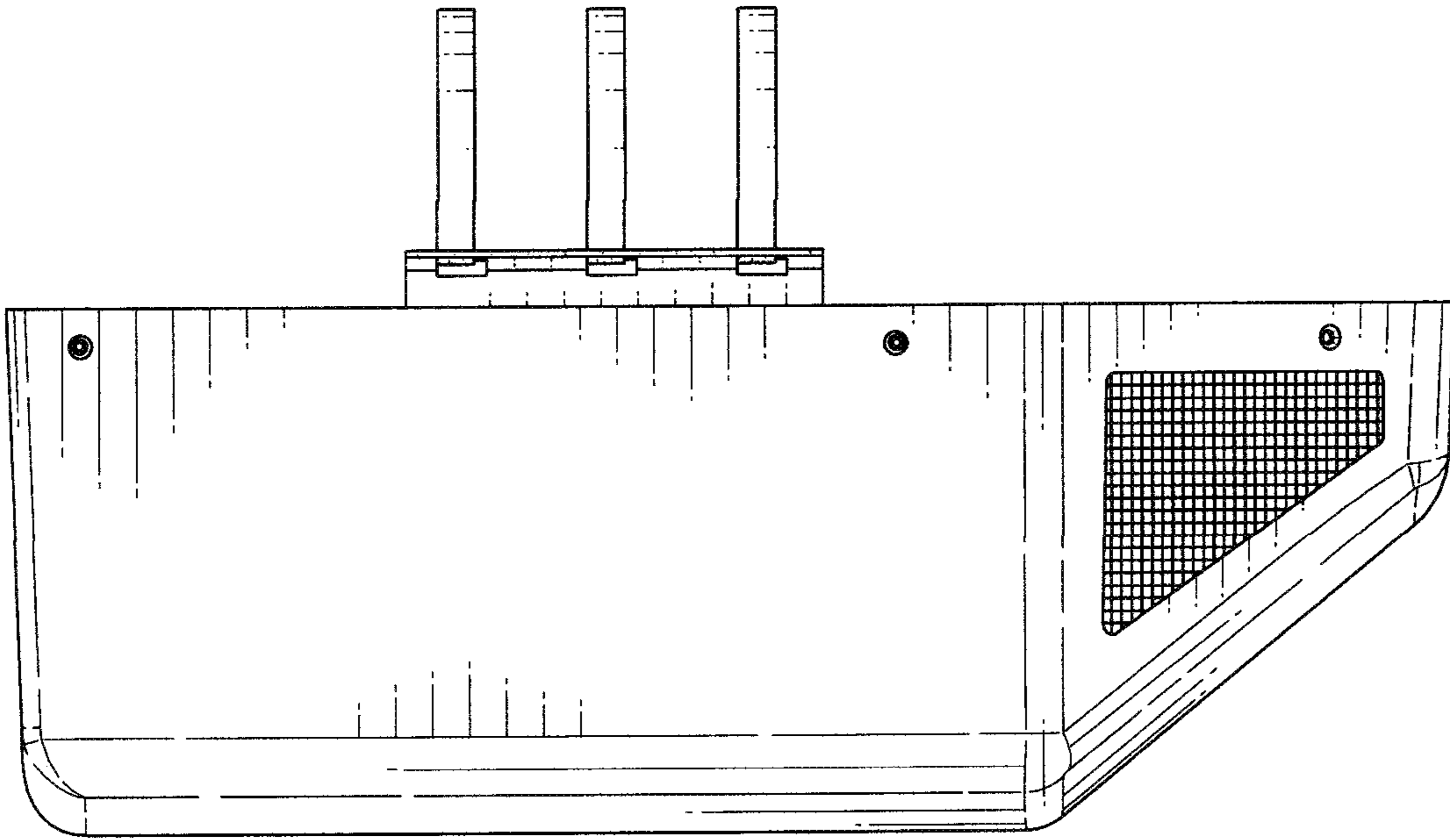


FIG. 5

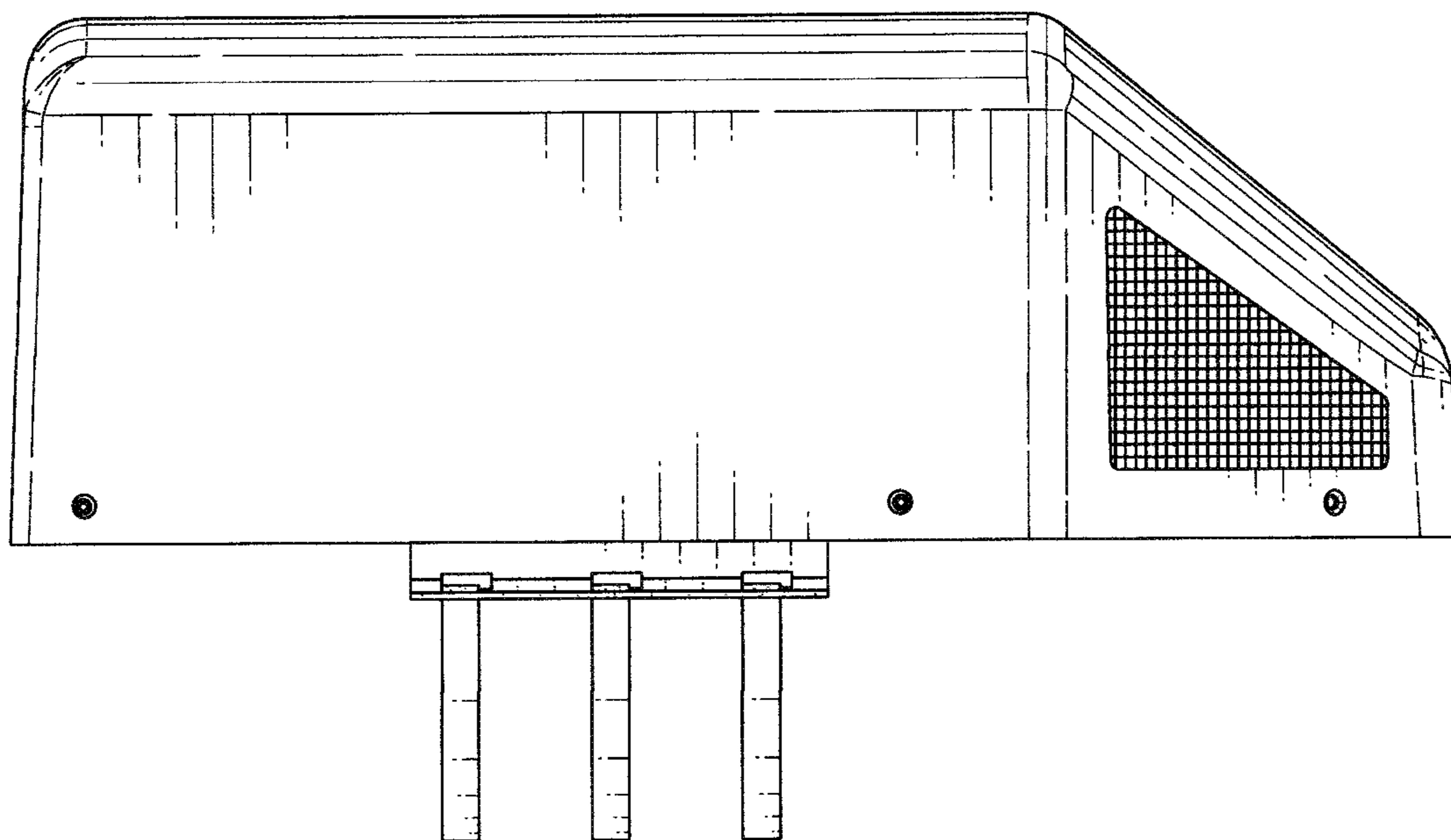


FIG. 4

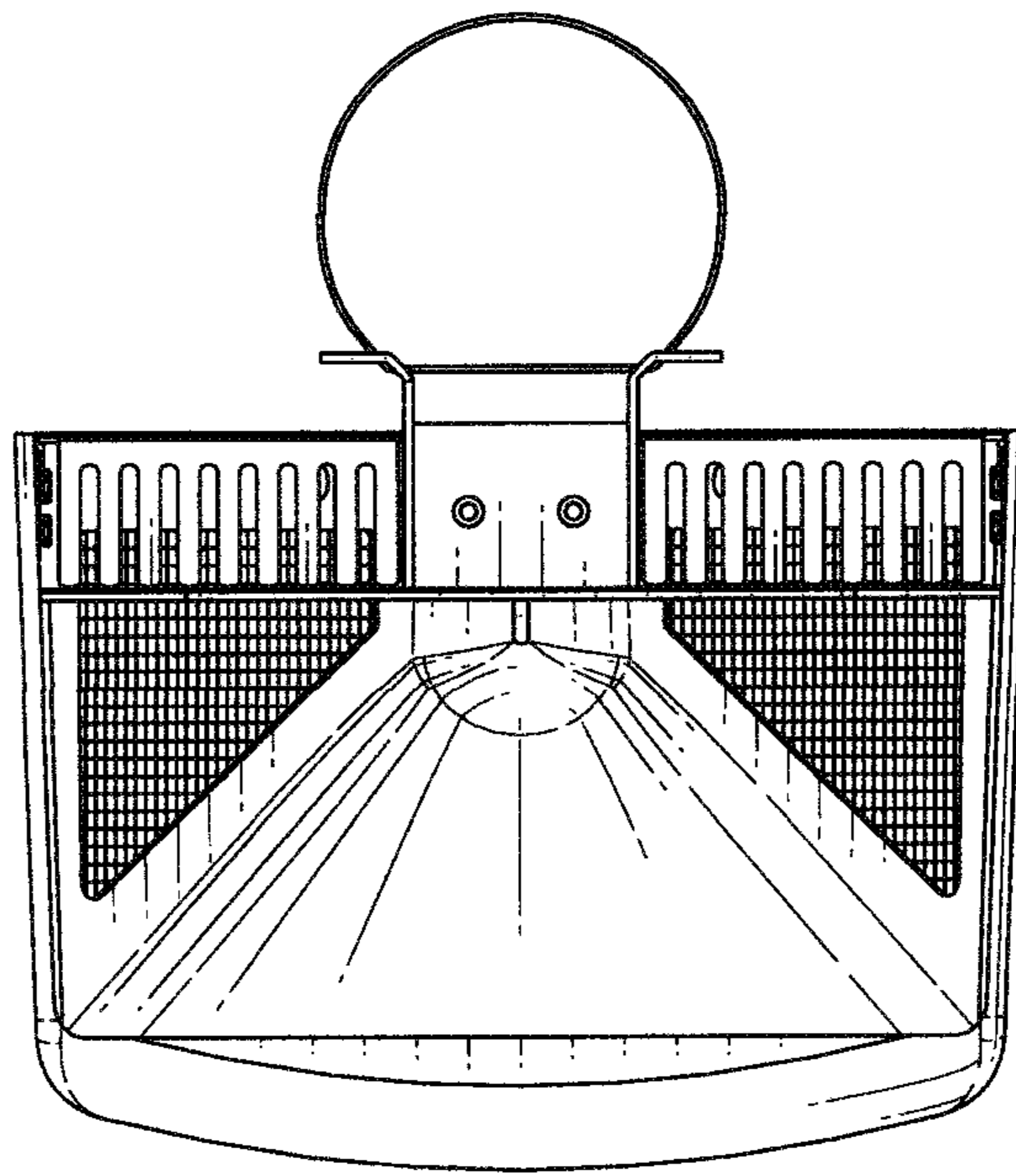


FIG. 6

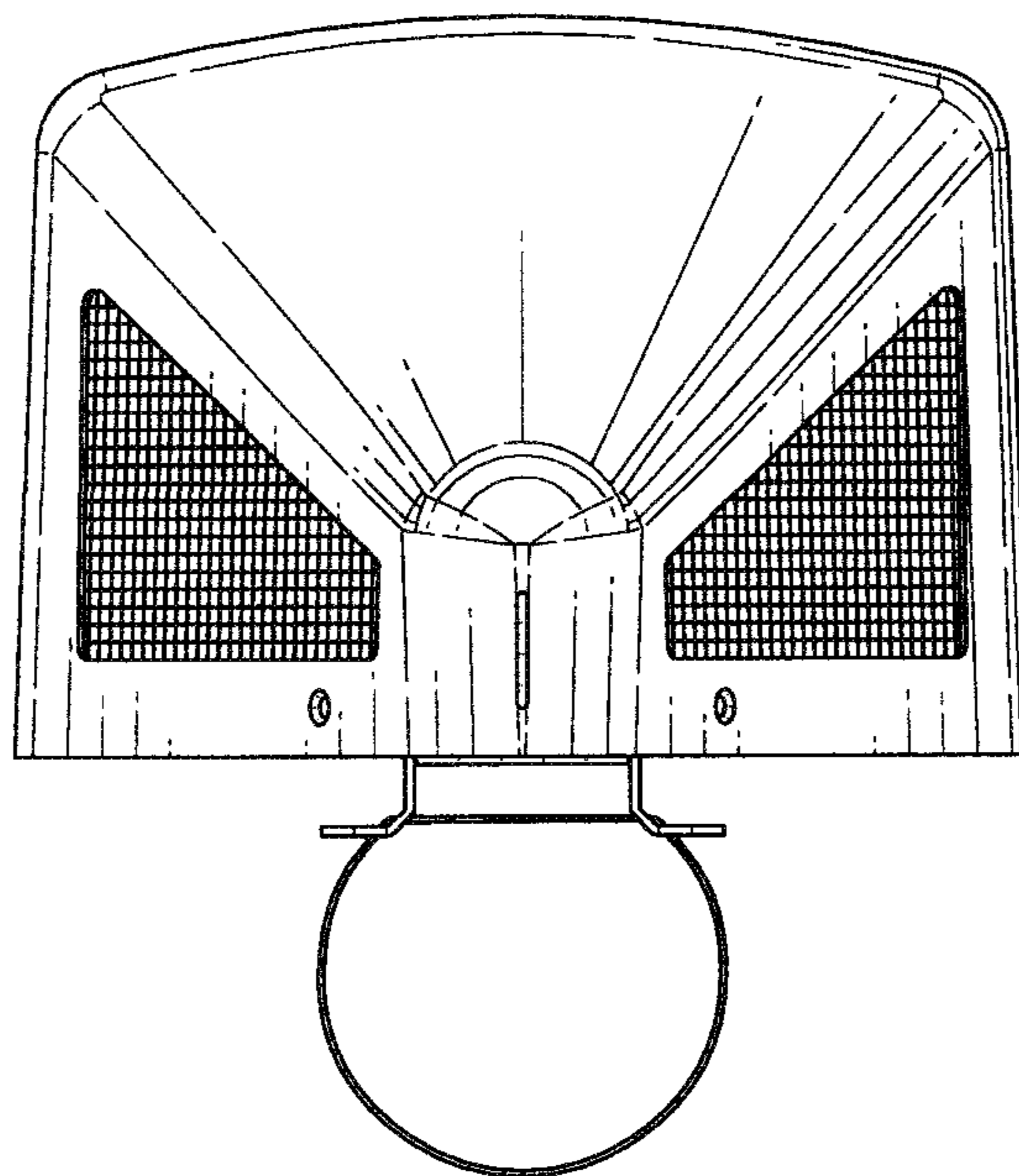


FIG. 7