



US00D926736S

(12) **United States Design Patent**  
**Kosaka et al.**

(10) **Patent No.:** **US D926,736 S**  
(45) **Date of Patent:** **\*\* Aug. 3, 2021**

(54) **ANTENNA**

**FOREIGN PATENT DOCUMENTS**

(71) Applicants: **NEC Corporation**, Tokyo (JP); **Japan Aviation Electronics Industry, Limited**, Tokyo (JP)

JP 1633800 S 5/2019  
JP 1633802 S 5/2019  
(Continued)

(72) Inventors: **Keishi Kosaka**, Tokyo (JP); **Yasuhiko Matsunaga**, Tokyo (JP); **Eiji Hankui**, Tokyo (JP); **Hiroshi Toyao**, Tokyo (JP); **Osamu Hashiguchi**, Tokyo (JP)

**OTHER PUBLICATIONS**

Notice issued by the Japanese Office Action on Oct. 18, 2019 in corresponding Japanese Design Patent Application No. 2019-008557, with English translation (4 pages).

(73) Assignee: **JAPAN AVIATION ELECTRONICS INDUSTRY, LIMITED**, Tokyo (JP)

(Continued)

(\*\*) Term: **15 Years**

*Primary Examiner* — John Windmuller

(21) Appl. No.: **29/709,368**

(74) *Attorney, Agent, or Firm* — Buchanan Ingersoll & Rooney PC

(22) Filed: **Oct. 14, 2019**

(57) **CLAIM**

(30) **Foreign Application Priority Data**

The ornamental design for an antenna, as shown and described.

Apr. 17, 2019 (JP) ..... 2019-008557

(51) **LOC (13) Cl.** ..... **14-03**

(52) **U.S. Cl.**  
USPC ..... **D14/230**

(58) **Field of Classification Search**  
USPC ..... D14/230–238, 238.1, 299, 358; D13/182  
CPC ..... H01Q 1/088; H01Q 3/10; H01Q 21/00;  
H04B 7/0608; A61B 2018/1892  
See application file for complete search history.

**DESCRIPTION**

FIG. 1 is a front, left side, bottom perspective view of an antenna showing our new design;  
FIG. 2 is a front elevational view thereof;  
FIG. 3 is a rear elevational view thereof;  
FIG. 4 is a left side view thereof;  
FIG. 5 is a right side view thereof;  
FIG. 6 is a top plan view thereof;  
FIG. 7 is a bottom plan view thereof;  
FIG. 8 is a cross-sectional view thereof, taken in the direction of line 8-8 of FIG. 5; and,  
FIG. 9 is a cross-sectional view thereof, taken in the direction of line 9-9 of FIG. 5.

(56) **References Cited**

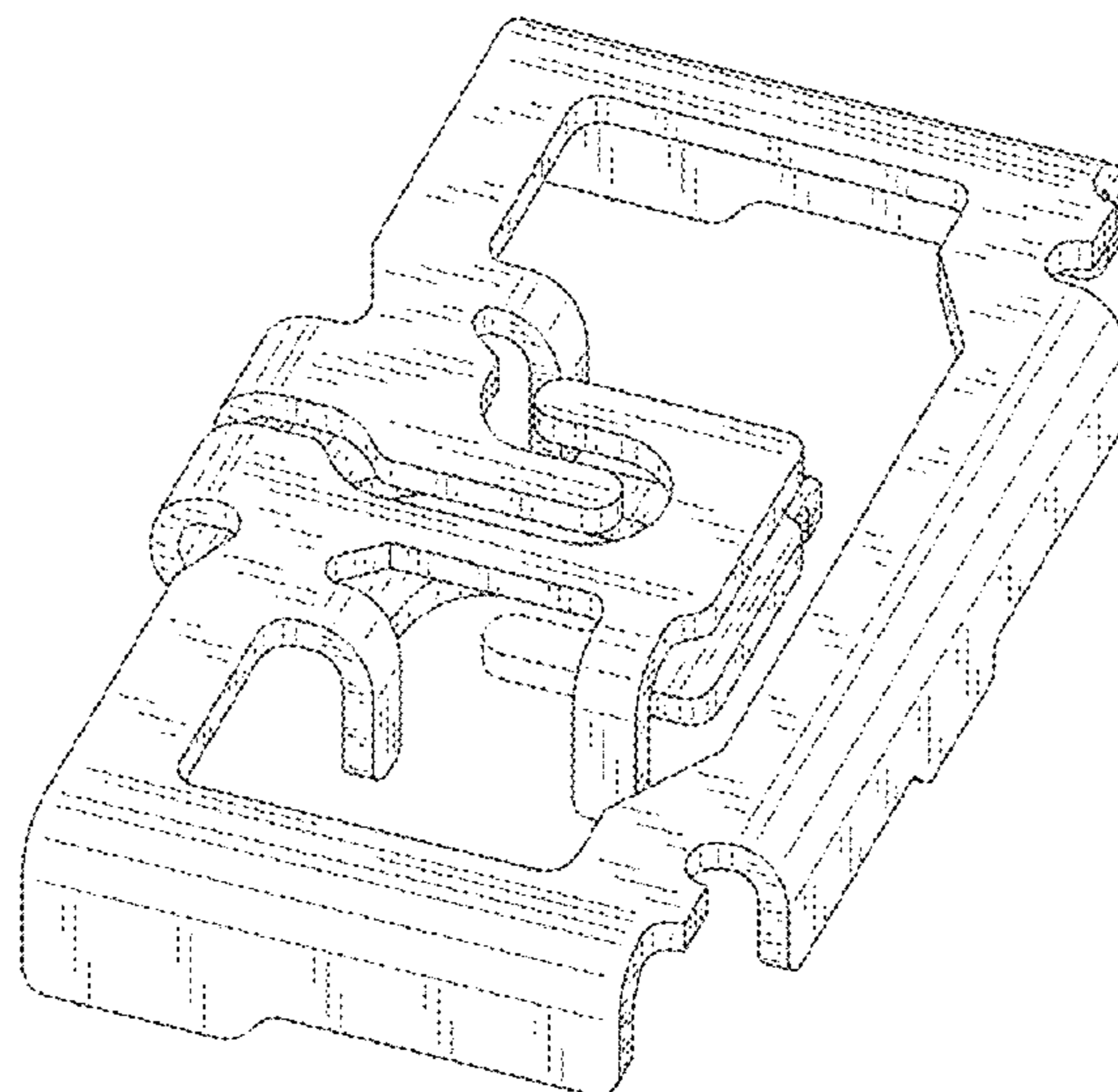
**U.S. PATENT DOCUMENTS**

D456,388 S \* 4/2002 Hwang ..... 343/872  
7,079,079 B2 \* 7/2006 Jo ..... H01Q 1/243  
343/700 MS  
D535,291 S \* 1/2007 Chiang ..... D14/230  
D576,614 S \* 9/2008 Lee ..... D14/230  
D592,195 S \* 5/2009 Wu ..... D14/230  
7,589,679 B2 \* 9/2009 Shih ..... H01Q 1/243  
343/700 MS

The portions depicted by broken lines are for illustrative purpose only and form no part of the claimed design.  
The long and short dashed lines illustrate a boundary of claimed design and unclaimed ones.

(Continued)

**1 Claim, 5 Drawing Sheets**



(56)

References Cited

U.S. PATENT DOCUMENTS

D608,354 S \* 1/2010 Yang ..... D14/230  
 D611,936 S \* 3/2010 Kishler ..... D14/230  
 D615,534 S \* 5/2010 Tsai ..... D14/230  
 D636,764 S \* 4/2011 Mi ..... D14/230  
 D649,962 S \* 12/2011 Tseng ..... D14/230  
 D659,688 S \* 5/2012 Huang ..... D14/230  
 D672,226 S \* 12/2012 Wall ..... D8/394  
 D704,682 S \* 5/2014 Forster ..... D14/230  
 D707,665 S \* 6/2014 Chu ..... D14/230  
 D768,116 S \* 10/2016 Zheng ..... D14/230  
 D786,840 S \* 5/2017 He ..... D14/230  
 D791,108 S \* 7/2017 He ..... D14/230  
 D795,848 S \* 8/2017 Zheng ..... D14/230  
 D799,453 S \* 10/2017 Chang ..... D14/230  
 D801,317 S \* 10/2017 Man ..... D14/230  
 D801,957 S \* 11/2017 He ..... D14/230  
 D842,280 S \* 3/2019 Montgomery ..... D14/230  
 D846,535 S \* 4/2019 Gosalia ..... D14/230  
 D872,715 S \* 1/2020 Zheng ..... D14/230  
 2004/0012528 A1\* 1/2004 Dai ..... H01Q 1/36  
 343/702  
 2008/0030411 A1\* 2/2008 Wen ..... H01Q 9/0407  
 343/702

2008/0266189 A1\* 10/2008 Wu ..... H01Q 21/29  
 343/702  
 2009/0051614 A1\* 2/2009 Wong ..... H01Q 9/26  
 343/803  
 2009/0146906 A1\* 6/2009 Anguera Pros ..... H01Q 1/243  
 343/906  
 2010/0171664 A1\* 7/2010 Yang ..... H01Q 9/0414  
 343/700 MS  
 2013/0033399 A1\* 2/2013 Huang ..... H01Q 5/357  
 343/700 MS

FOREIGN PATENT DOCUMENTS

JP 1633996 S 5/2019  
 TW D170135 S 9/2015

OTHER PUBLICATIONS

Office Action issued on May 4, 2020, by the Taiwan Patent Office in corresponding Taiwan Patent Application No. 108306452. (3 pages).  
 U.S. Appl. No. 29/709,359, filed Oct. 14, 2019, Kosaka.

\* cited by examiner

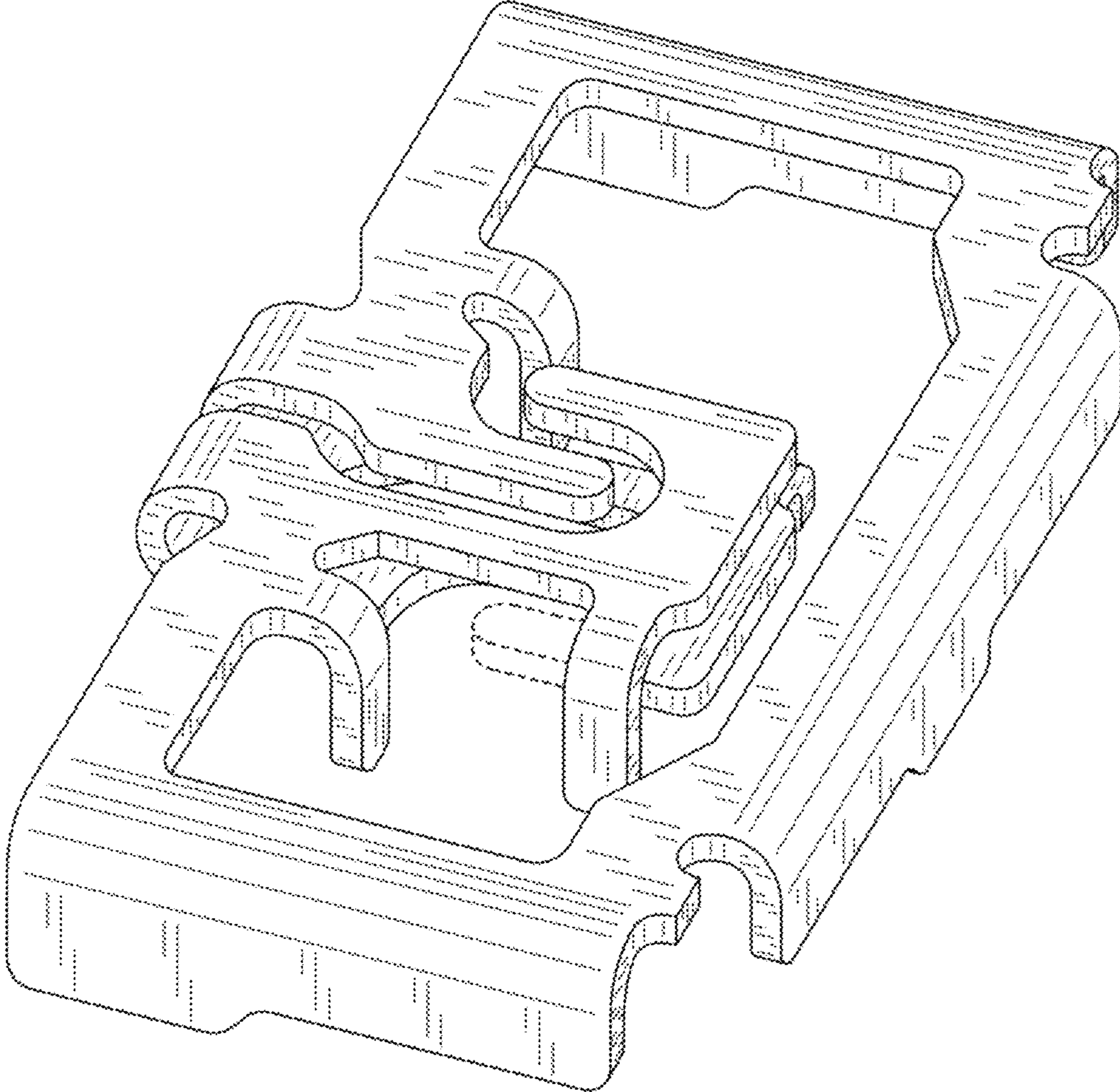


FIG. 1



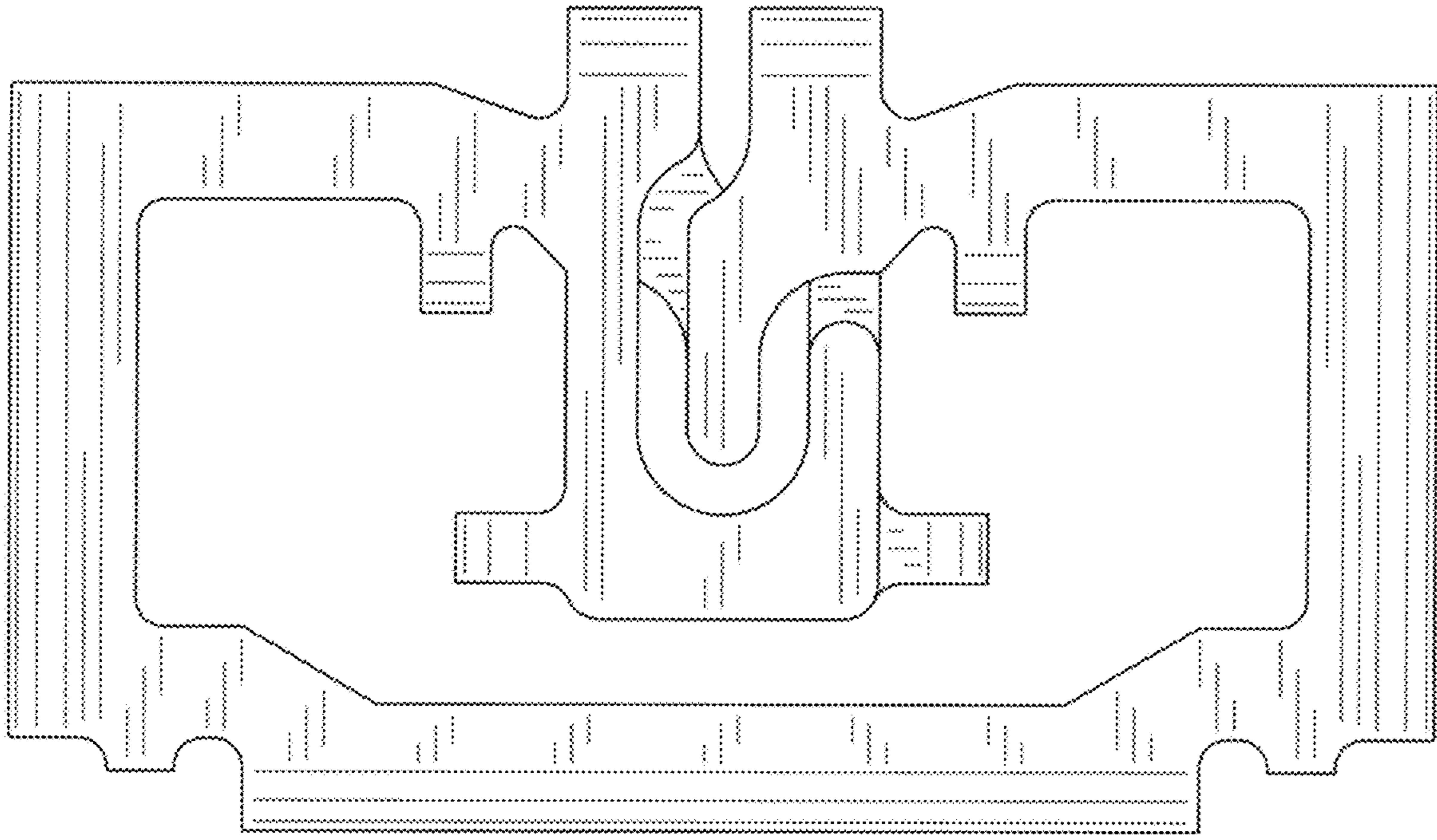


FIG. 2

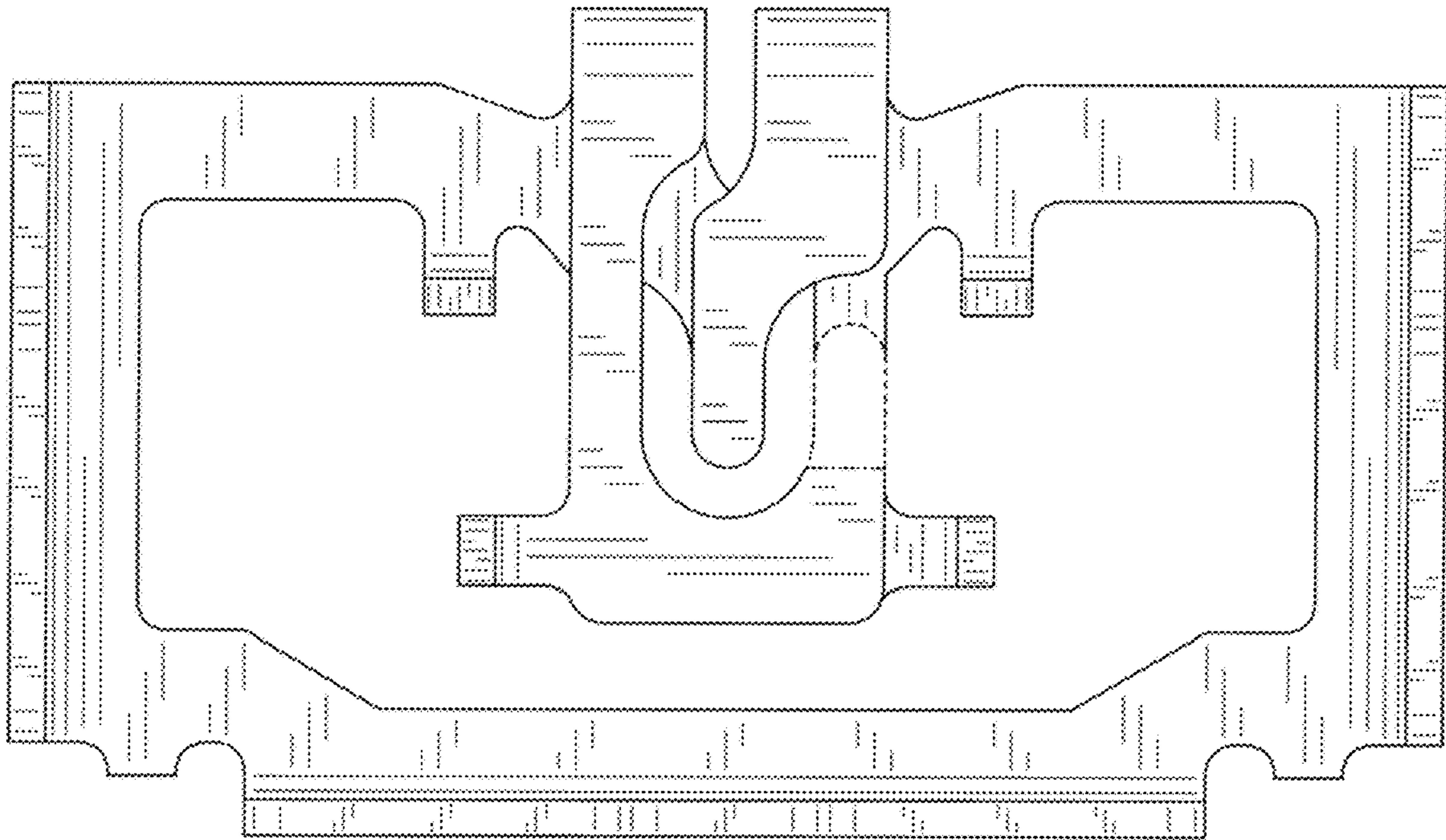
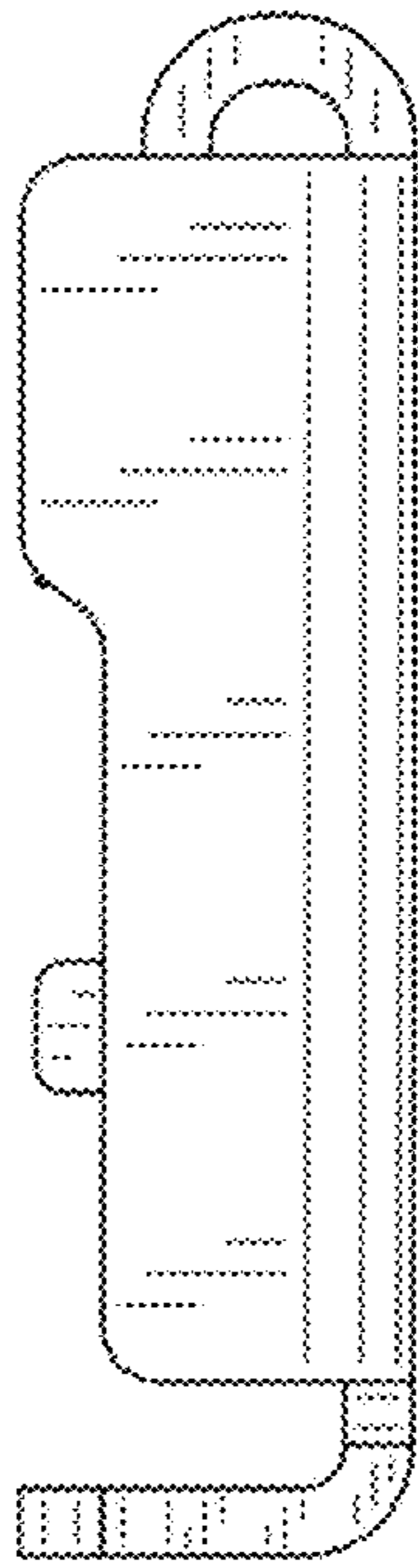
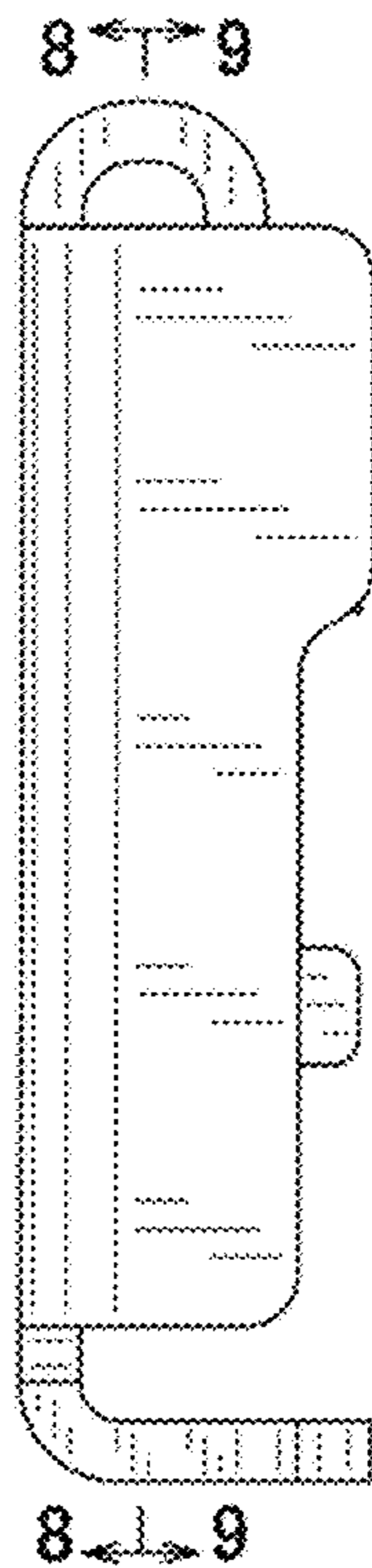


FIG. 3



**FIG. 4**



**FIG. 5**

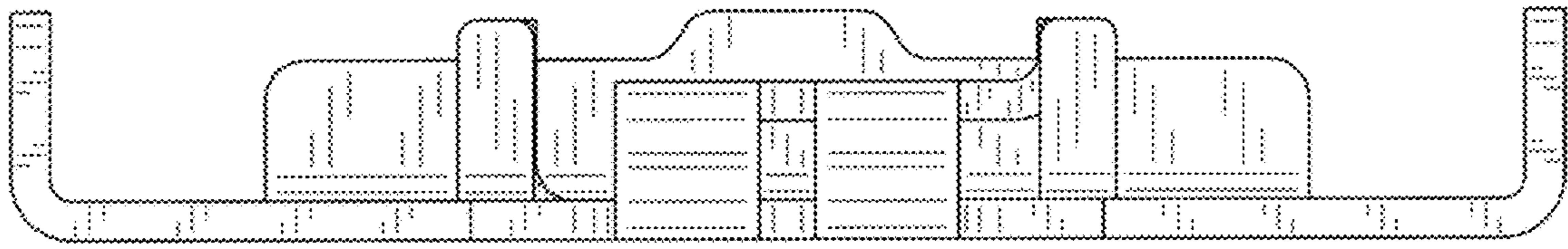


FIG. 6

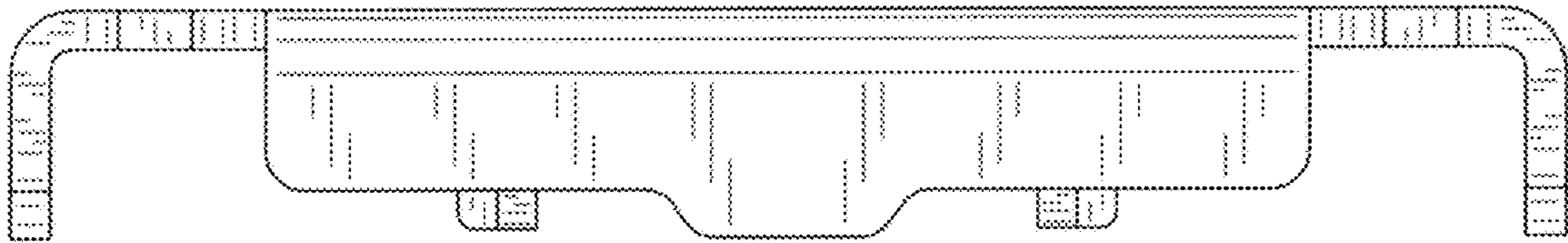


FIG. 7

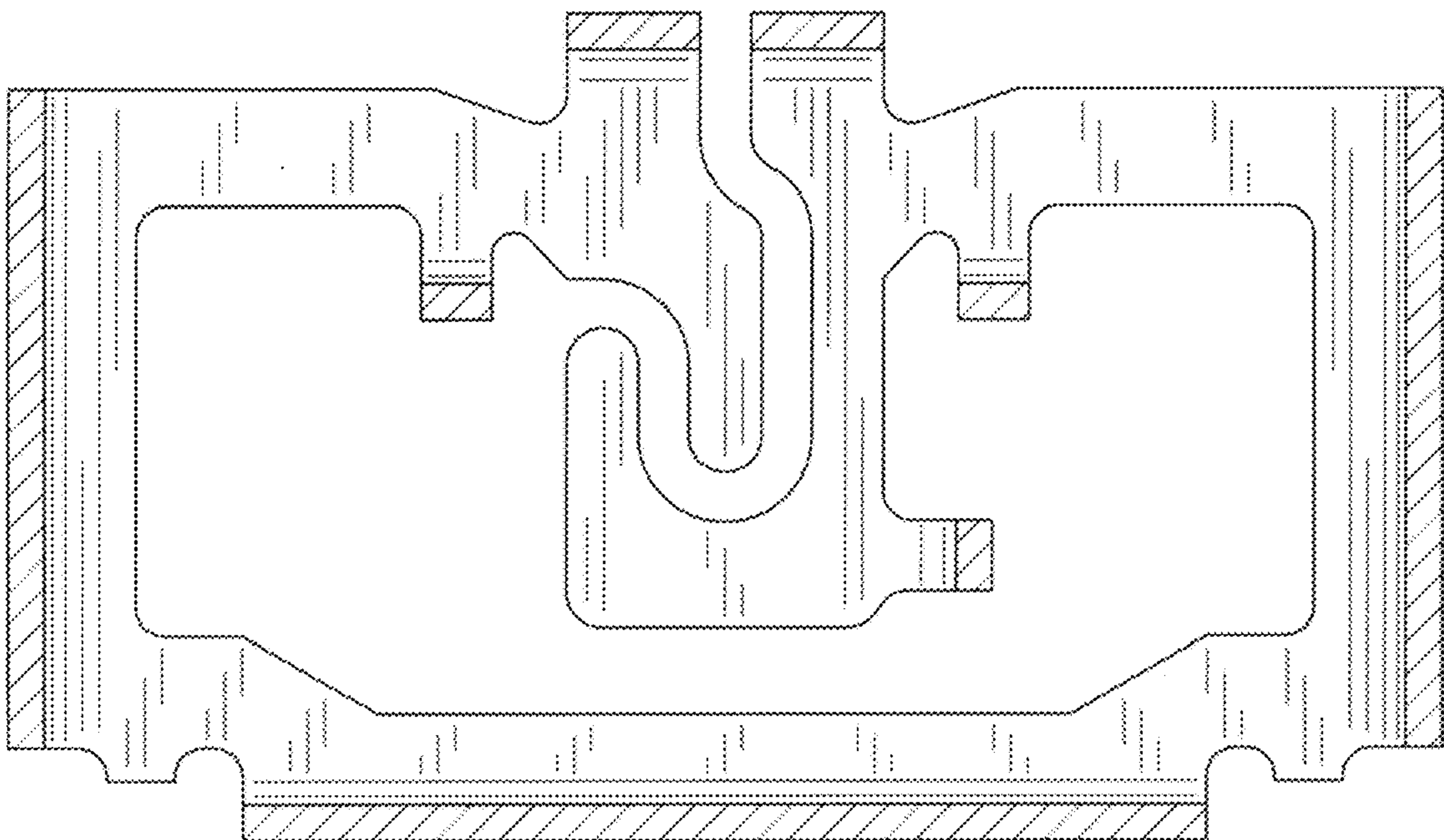


FIG. 8

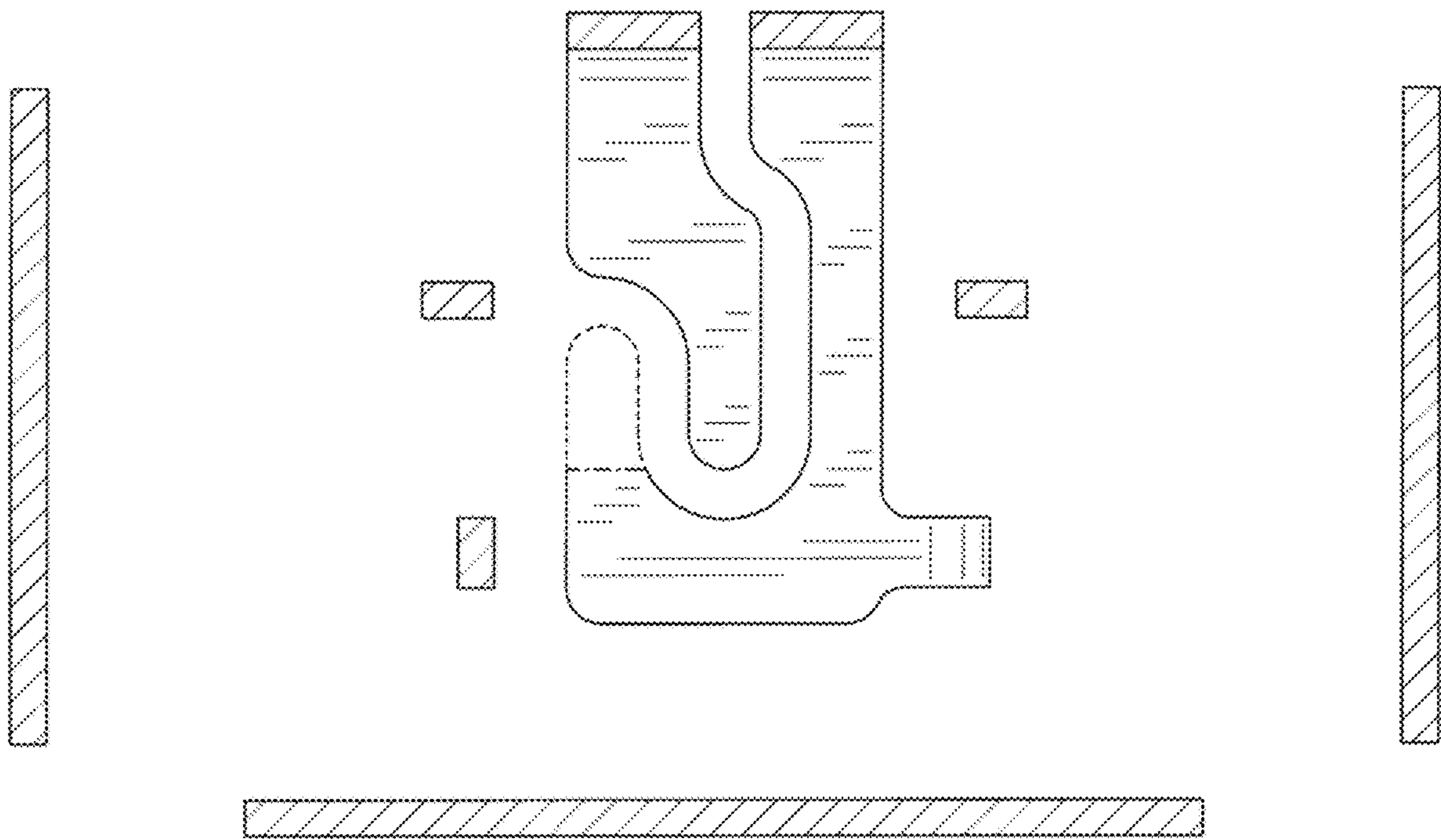


FIG. 9