



US00D926735S

(12) **United States Design Patent**
Zhou

(10) **Patent No.:** **US D926,735 S**

(45) **Date of Patent:** **** Aug. 3, 2021**

(54) **TV ANTENNA**

(71) Applicant: **Zhicheng Zhou**, Shenzhen (CN)

(72) Inventor: **Zhicheng Zhou**, Shenzhen (CN)

(**) Term: **15 Years**

(21) Appl. No.: **29/701,337**

(22) Filed: **Aug. 9, 2019**

(51) **LOC (13) Cl.** **14-03**

(52) **U.S. Cl.**

USPC **D14/230**

(58) **Field of Classification Search**

USPC D14/138, 230-238, 299, 358; D12/42,
D12/43

CPC H01Q 7/00; H01Q 13/10; H01Q 9/285;
H01Q 19/30; H01Q 19/12; H01Q 1/38;
H01Q 1/36; H04B 1/0475; H04B 1/034;
H05K 11/00

See application file for complete search history.

(56) **References Cited**

U.S. PATENT DOCUMENTS

D170,203 S *	8/1953	Leonard	D14/230
D308,521 S *	6/1990	Lonczak	D14/230
D310,671 S *	9/1990	Weiss	D14/230
D321,883 S *	11/1991	Borchardt	D14/230
D333,470 S *	2/1993	Vong	D14/230
D345,362 S *	3/1994	Kadono	D14/230
D345,982 S *	4/1994	Lucey	D14/230
D378,368 S *	3/1997	McGreevy	D14/137

D585,883 S *	2/2009	Kaneko	D14/230
D666,178 S *	8/2012	Schneider	H01Q 7/00 D14/230
D695,725 S *	12/2013	Taeger	D14/230
D864,923 S *	10/2019	Yang	D14/230
D910,606 S *	2/2021	Zhou	D14/230

* cited by examiner

Primary Examiner — John Windmuller

(74) *Attorney, Agent, or Firm* — Xuan Zhang

(57) **CLAIM**

The ornamental design for a TV antenna, as shown and described.

DESCRIPTION

FIG. 1 is a front perspective view a TV antenna showing my new design;

FIG. 2 is a front elevation view thereof;

FIG. 3 is a rear elevation view thereof;

FIG. 4 is a left side elevation view thereof;

FIG. 5 is a right side elevation view thereof;

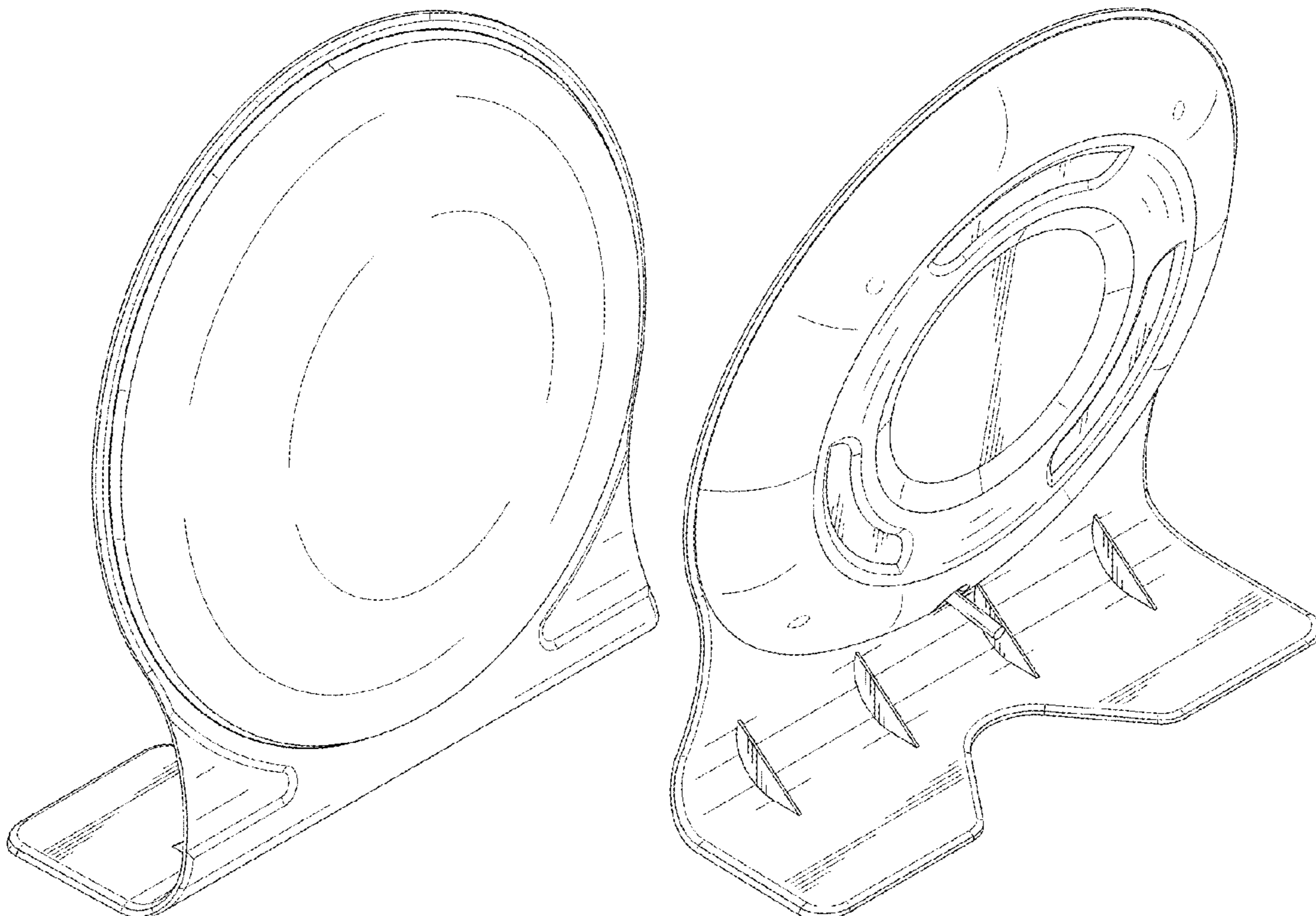
FIG. 6 is a top elevation view thereof;

FIG. 7 is a bottom elevation view thereof; and,

FIG. 8 is a rear perspective view thereof.

The broken lines in the figure drawings represents unclaimed portion of the design, which forms no part of the claim.

1 Claim, 8 Drawing Sheets



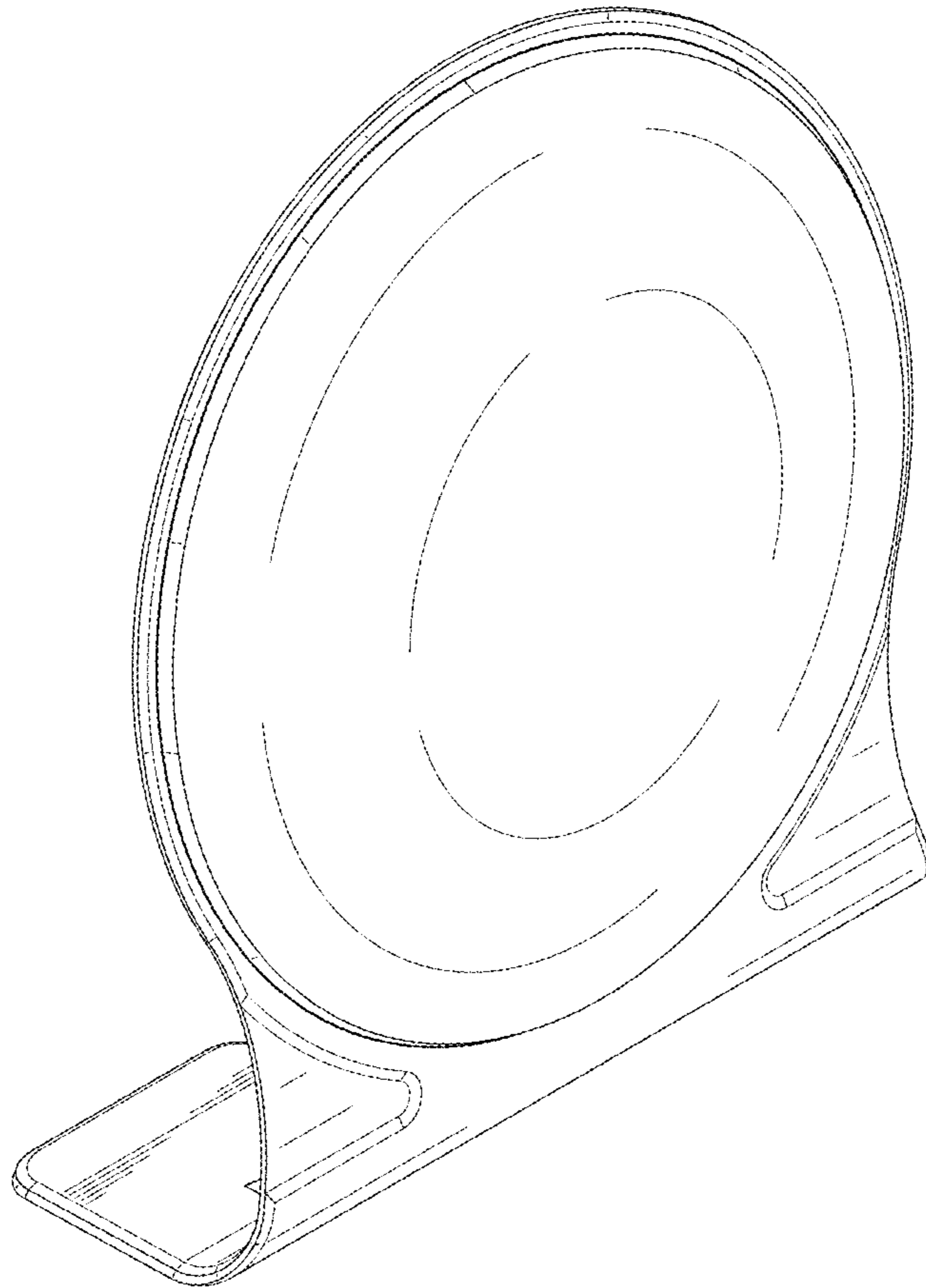


FIG. 1

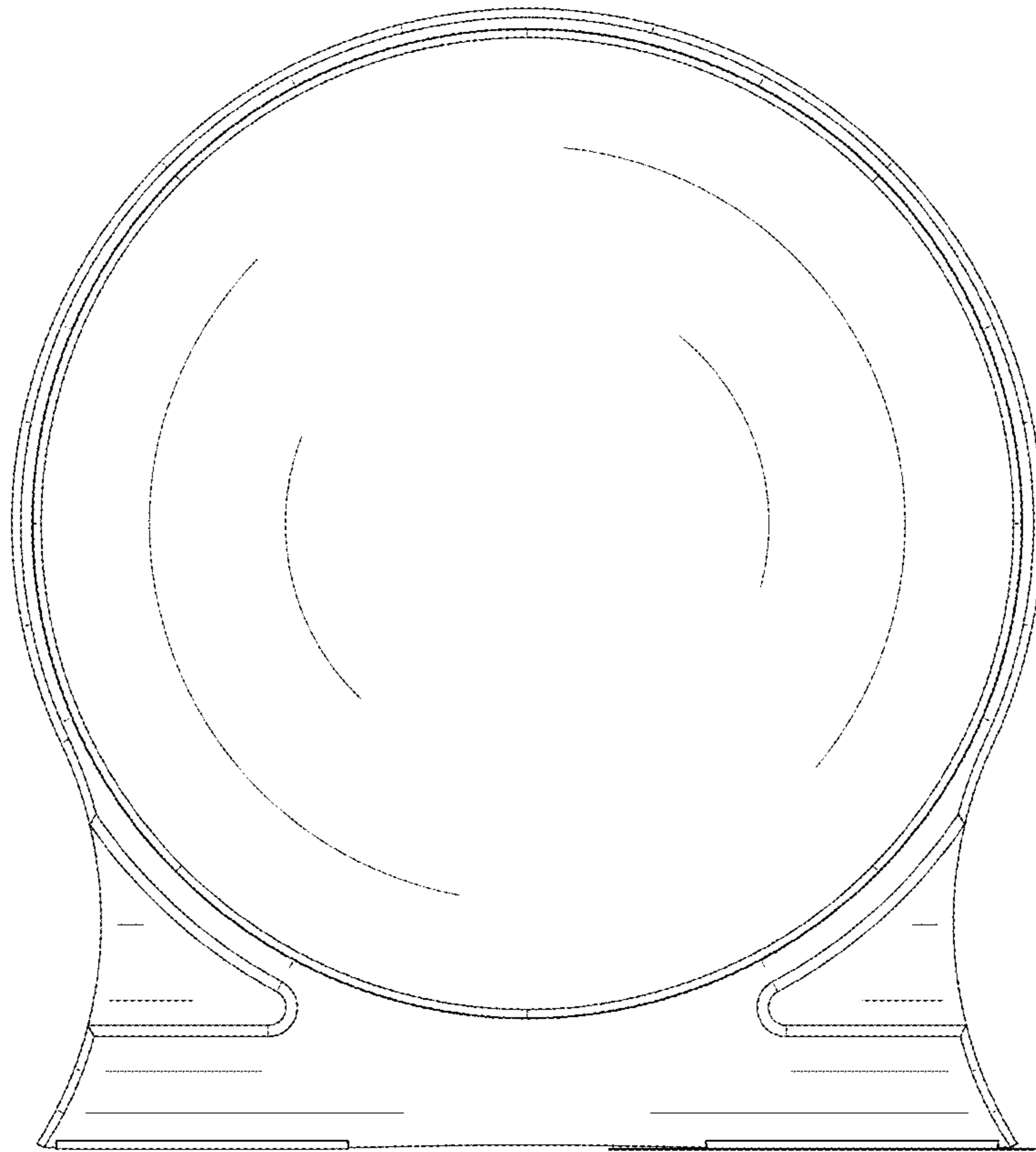


FIG. 2

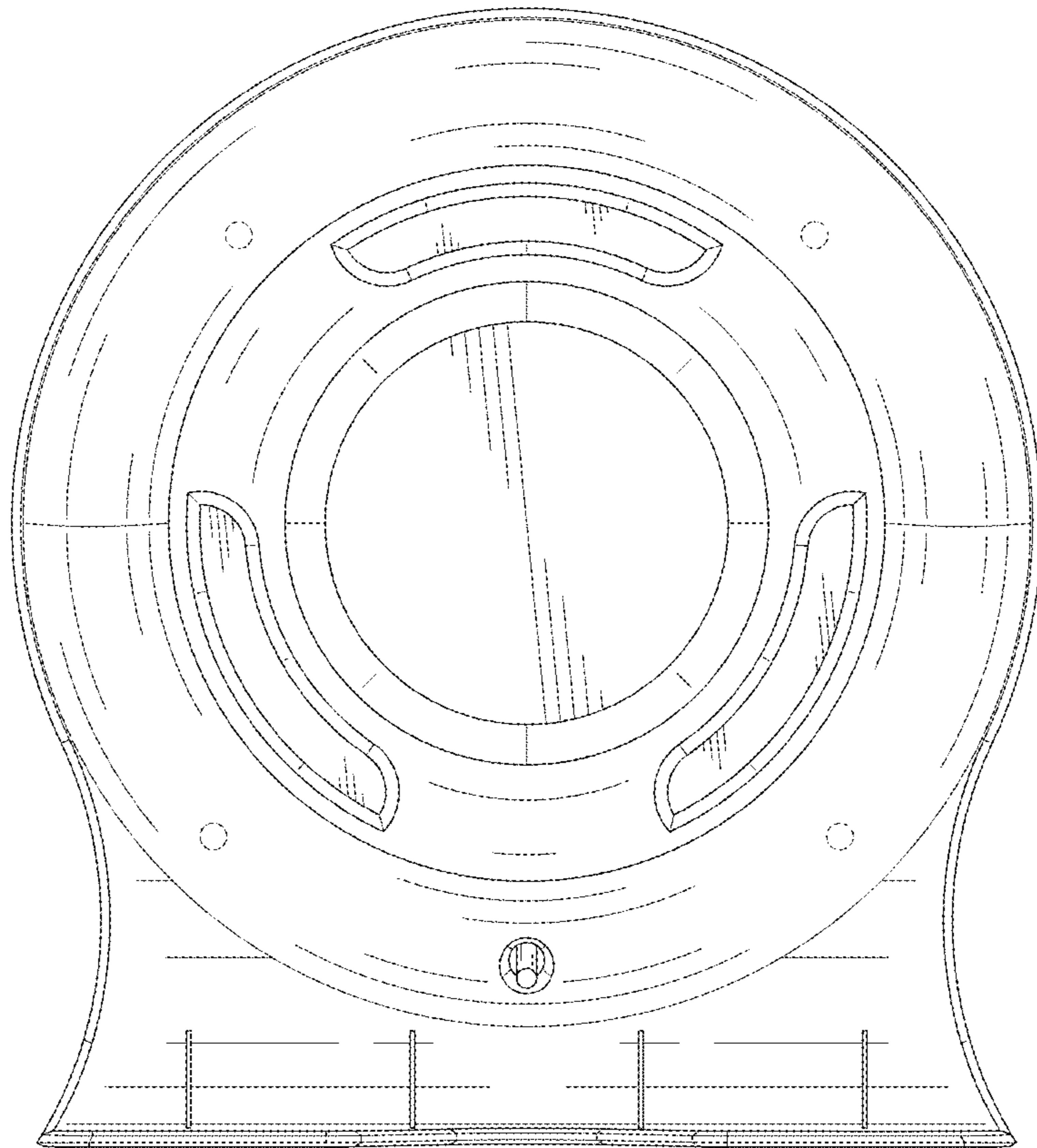


FIG. 3

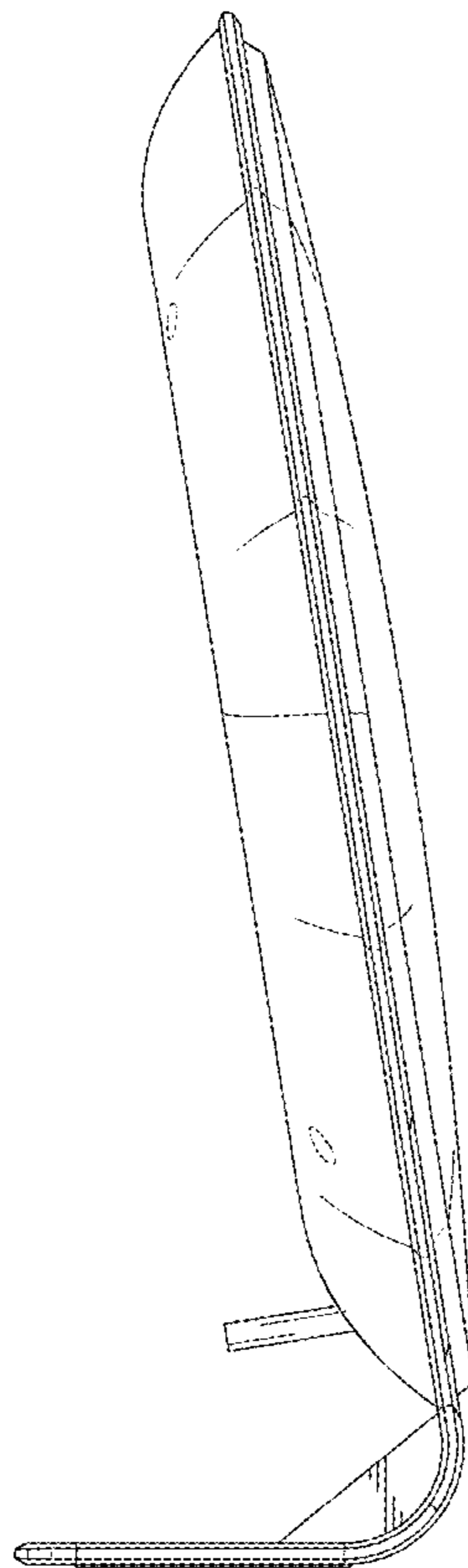


FIG. 4

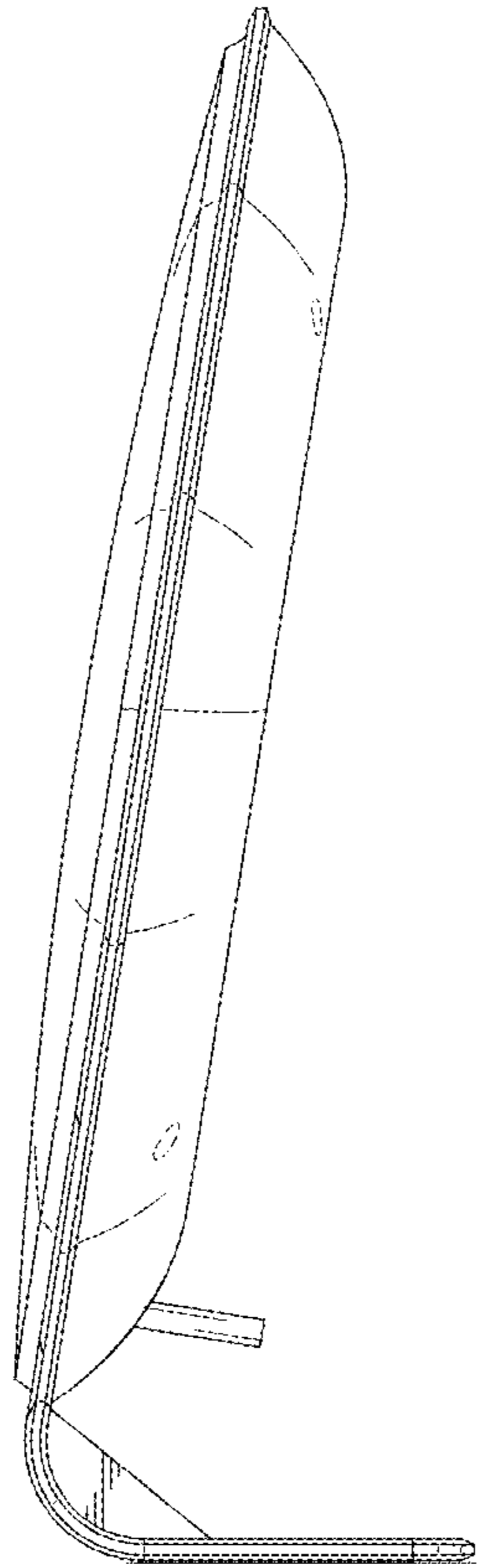


FIG. 5

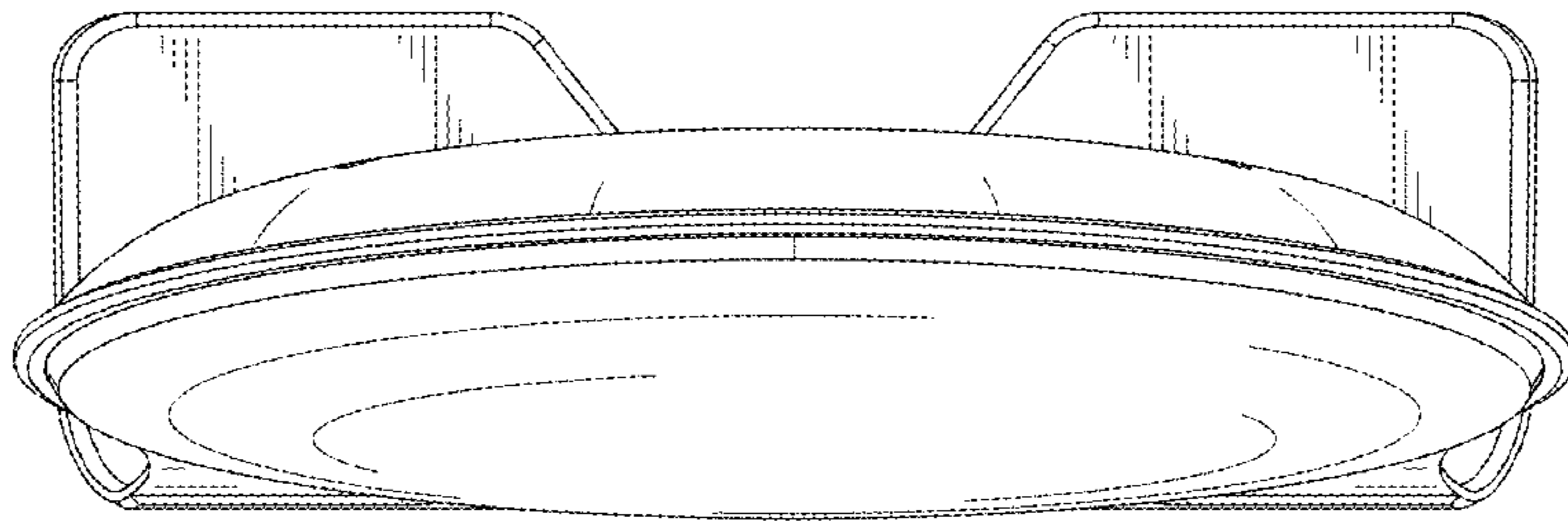


FIG.6

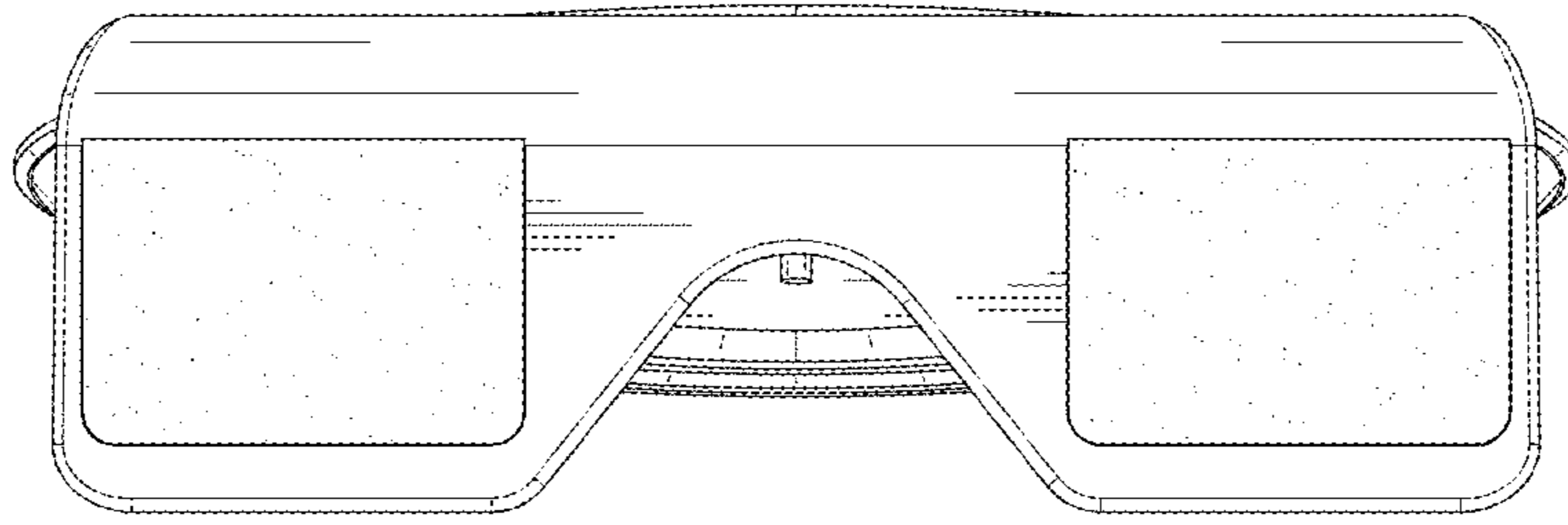


FIG. 7

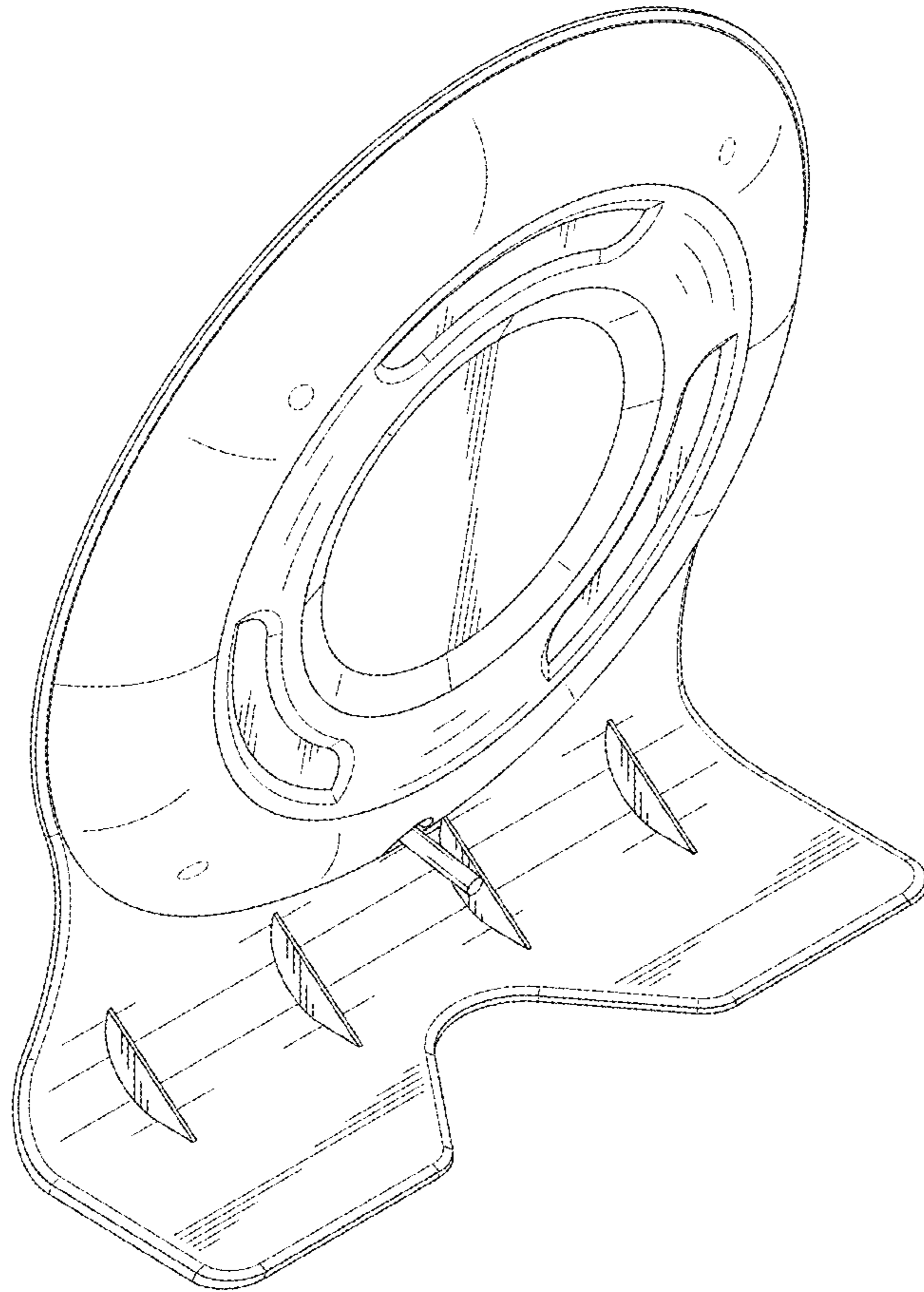


FIG. 8