



US00D926734S

(12) **United States Design Patent**
Balac et al.

(10) **Patent No.:** **US D926,734 S**

(45) **Date of Patent:** **** Aug. 3, 2021**

(54) **MICROPHONE**

(71) Applicant: **AUSTRIAN AUDIO GmbH**, Vienna (AT)

(72) Inventors: **Mathias Balac**, Vienna (AT); **Philipp Schuster**, Vienna (AT)

(73) Assignee: **AUSTRIAN AUDIO GmbH**

(**) Term: **15 Years**

(21) Appl. No.: **29/697,873**

(22) Filed: **Jul. 11, 2019**

(30) **Foreign Application Priority Data**

Feb. 1, 2019 (EP) 006144556-0001

(51) **LOC (13) Cl.** **14-01**

(52) **U.S. Cl.**
USPC **D14/225**

(58) **Field of Classification Search**
USPC D14/221, 224, 225, 226, 227, 228, 229,
D14/150, 154, 155, 158, 160, 172
CPC H04R 19/04; H04R 19/00; H04R 1/406;
H04R 1/08; H04R 1/04; H04R 1/326;
H04R 29/004; H04R 2410/00; H04R
2410/01; H04R 2410/03; H04R 2410/05;
H04R 2410/07; H04R 2420/07; H04R
17/02

See application file for complete search history.

(56) **References Cited**

U.S. PATENT DOCUMENTS

D584,287 S * 1/2009 Pauschitz D14/214
D605,637 S * 12/2009 Sank D14/225
D613,725 S * 4/2010 Chen D14/194
D748,609 S * 2/2016 Miller D14/225
D751,532 S * 3/2016 Chen D14/225
D848,876 S * 5/2019 Lee D10/70
10,405,104 B1 * 9/2019 Abel H04R 19/04

D887,556 S * 6/2020 Lockenwitz D24/173
2006/0078135 A1 * 4/2006 Royer H04R 9/048
381/176
2006/0078152 A1 * 4/2006 Royer H04R 9/048
381/399

OTHER PUBLICATIONS

OC818 & OC18. Made in Vienna, announced Apr. 2, 2019 [online],
retrieved Aug. 27, 2020, retrieved from internet, <https://www.youtube.com/watch?v=REvTowbEhrc>.*

Large-diaphragm Condenser Microphone with Multiple Polar Pat-
terns, no announcement date [online], retrieved Aug. 27, 2020,
retrieved from internet, <https://austrian.audio/oc818/>.*

Austrian Audio's Microphones: In Depth on the making of the mics.
#1 of 3, announced May 27, 2019 [online], retrieved Aug. 27, 2020,
retrieved from internet, <https://www.youtube.com/watch?v=fNJXvHGYfPQ>.*

* cited by examiner

Primary Examiner — Dana K Weiland

Assistant Examiner — Messina L Smith

(74) *Attorney, Agent, or Firm* — Dascenzo Gates
Intellectual Property Law, P.C.

(57) **CLAIM**

The ornamental design for a microphone, as shown and
described.

DESCRIPTION

FIG. 1 is a top front perspective view of a microphone
showing the new design;

FIG. 2 is top rear perspective view thereof;

FIG. 3 is a front view thereof;

FIG. 4 is a rear view thereof;

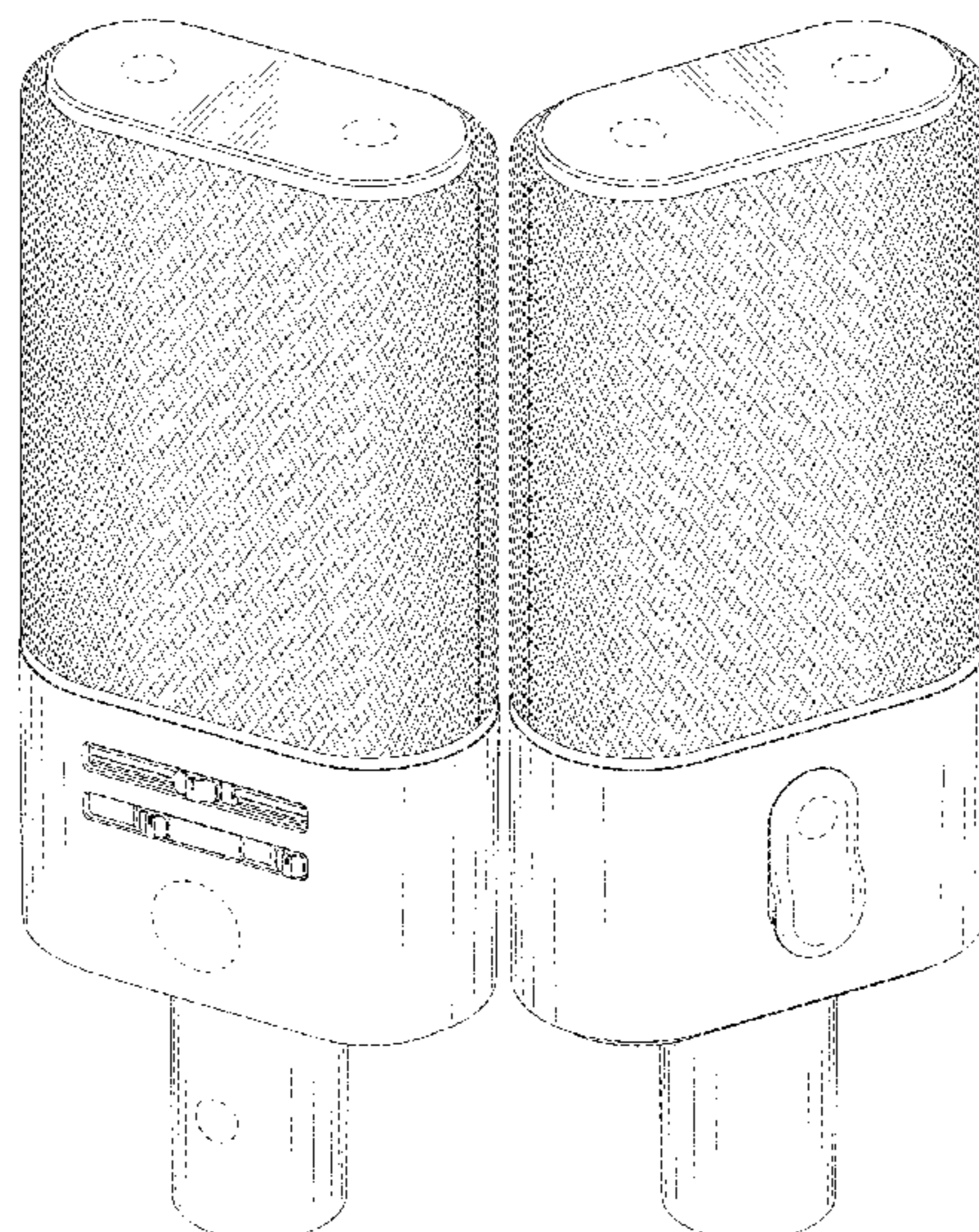
FIG. 5 is a right side view thereof;

FIG. 6 is a left side view thereof; and,

FIG. 7 is a top view thereof.

The broken lines shown in the drawings illustrate portions of
the microphone that form no part of the claimed design.

1 Claim, 6 Drawing Sheets



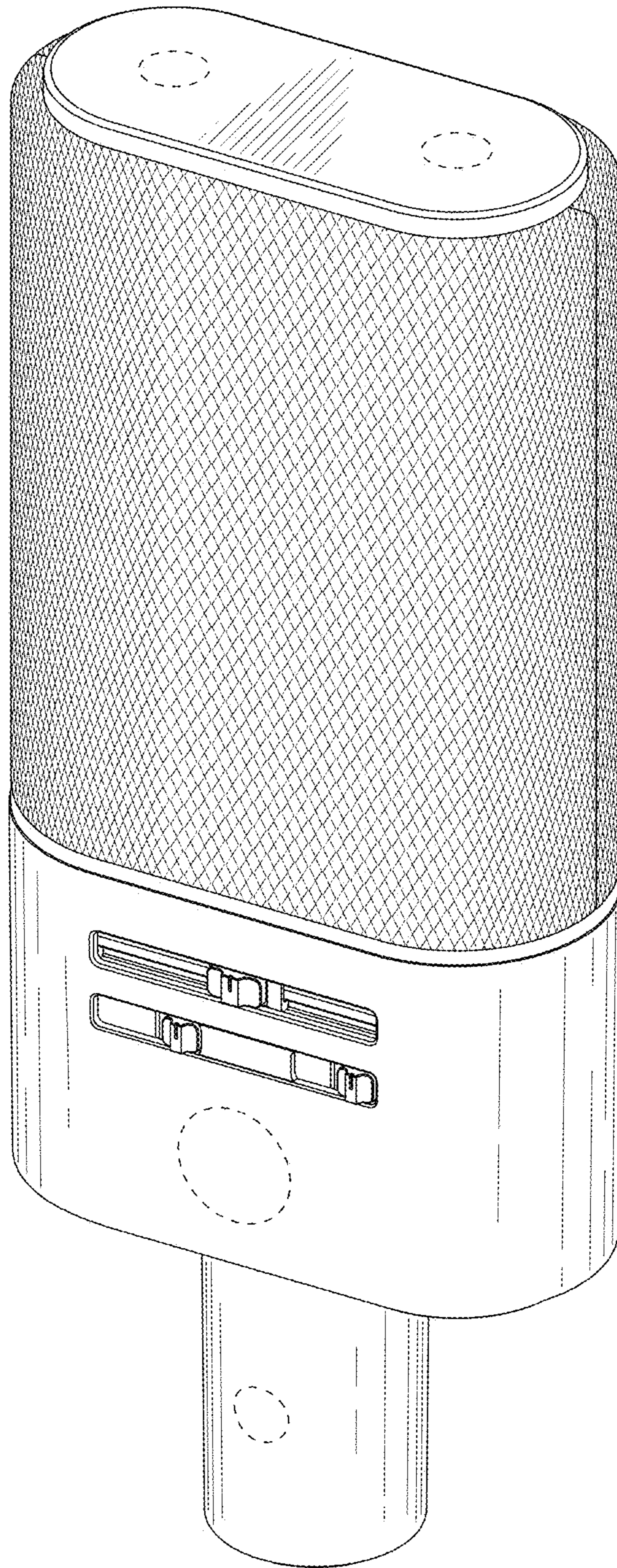


FIG. 1

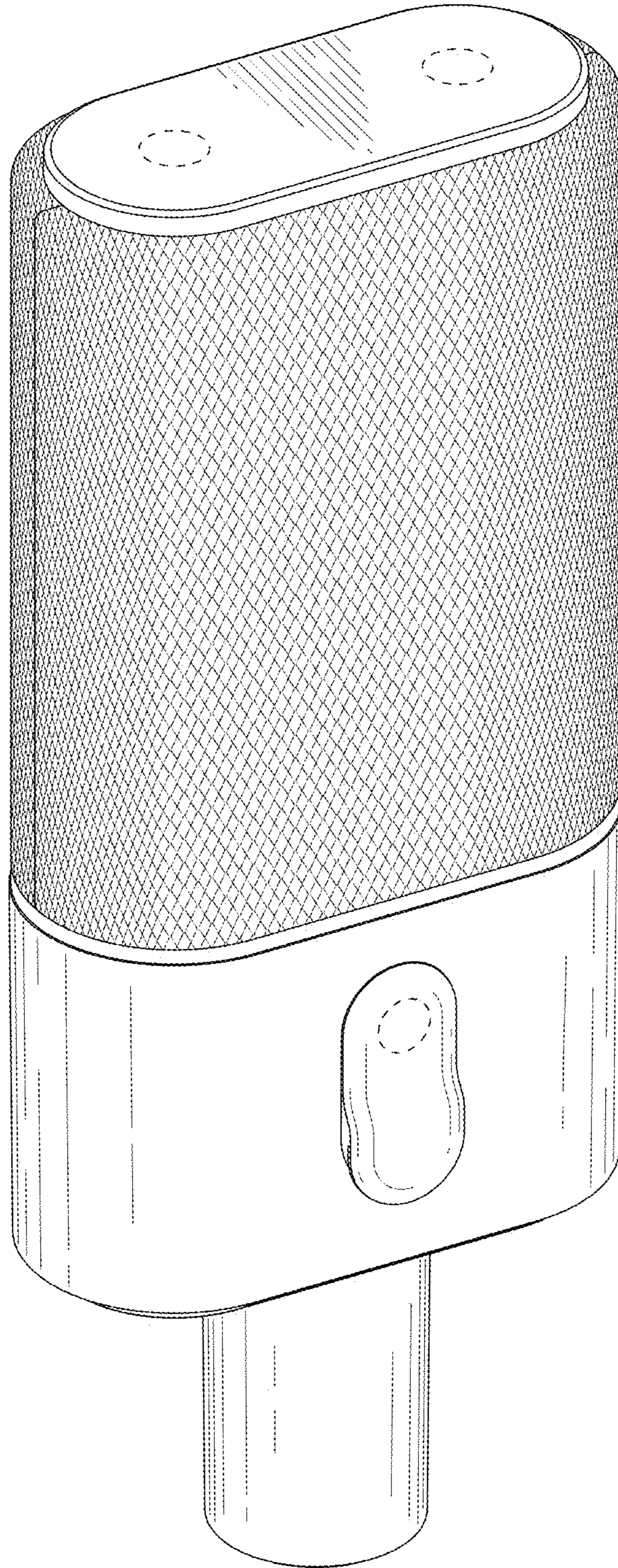


FIG. 2

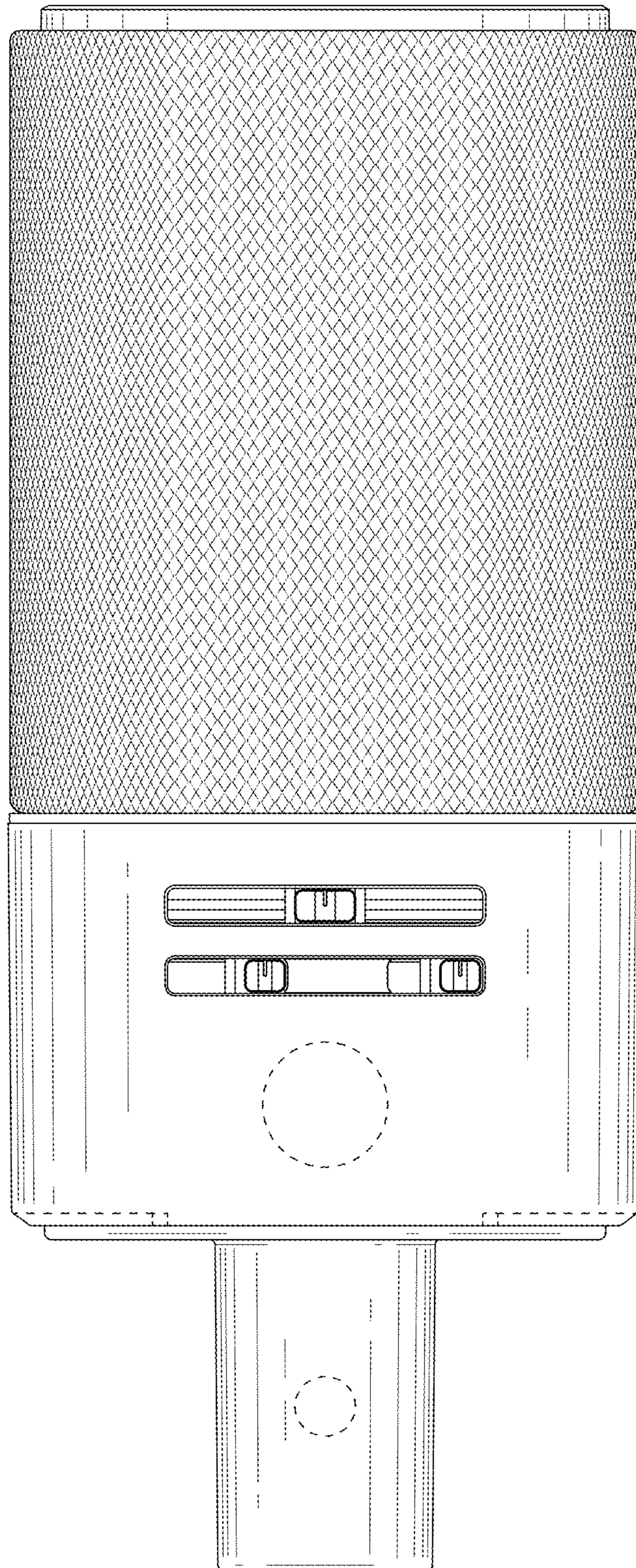


FIG. 3

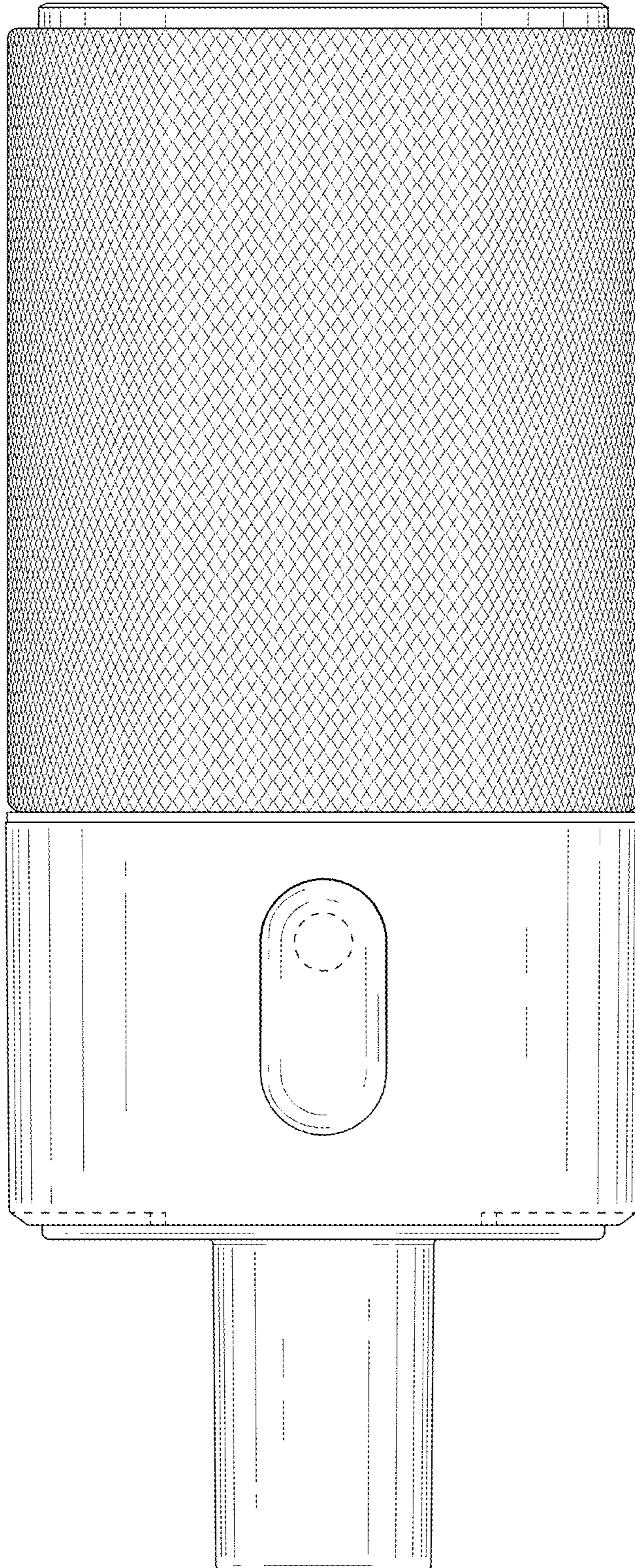


FIG. 4

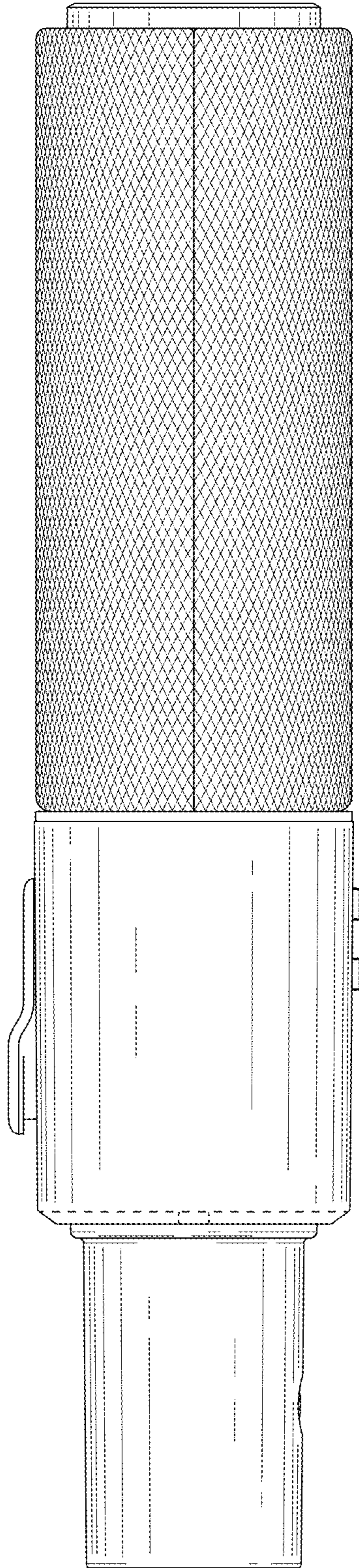


FIG. 5

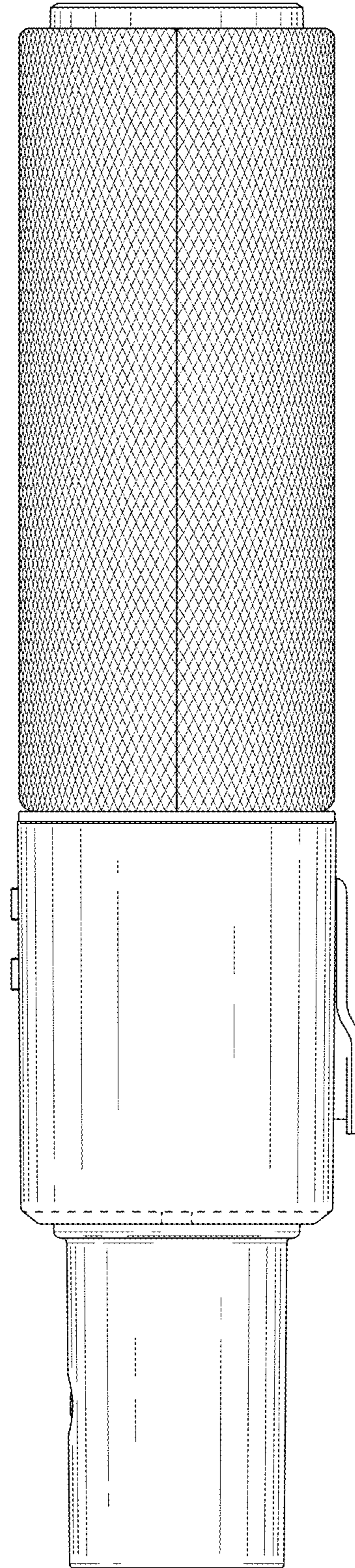


FIG. 6

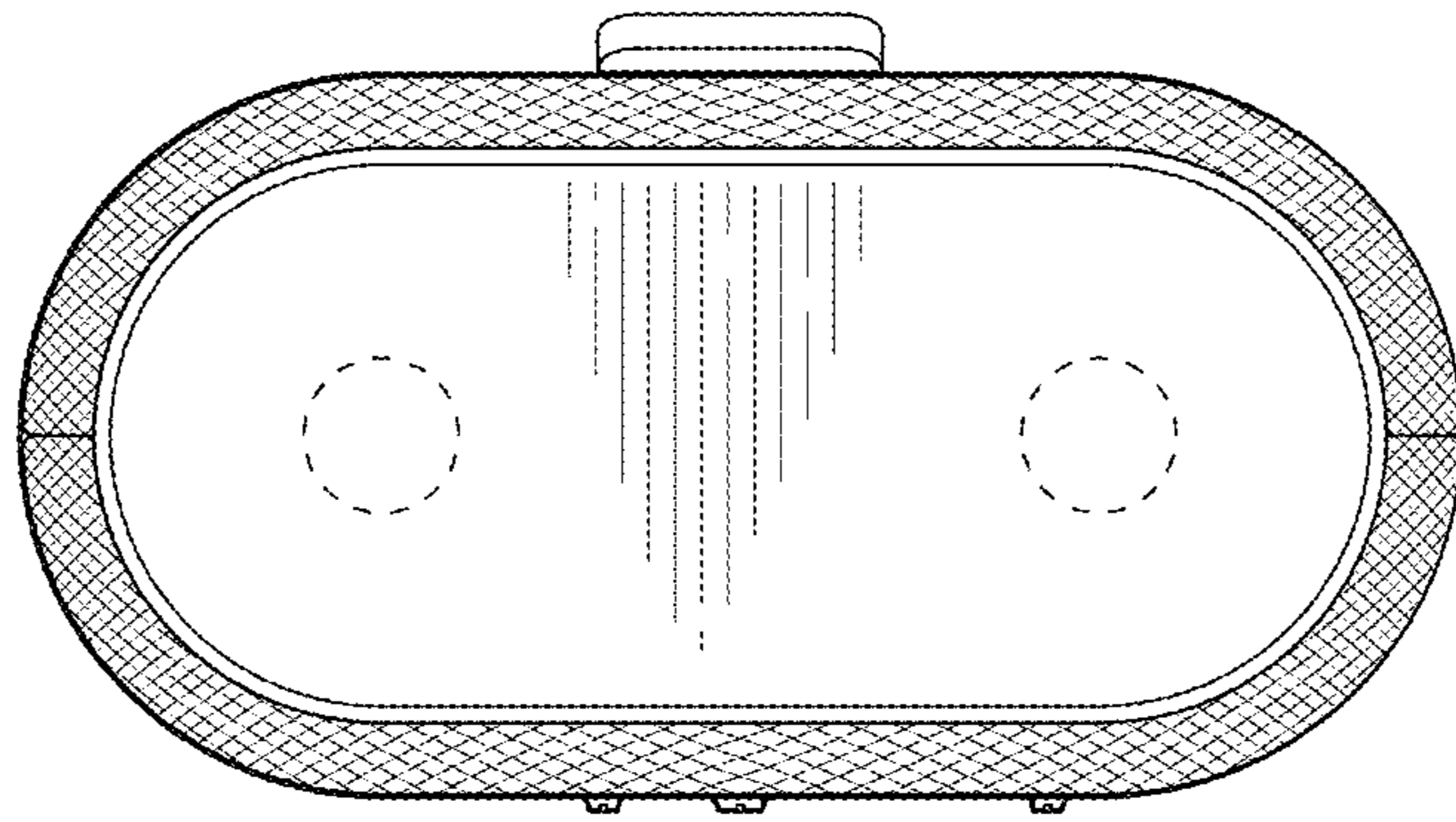


FIG. 7