



US00D926733S

(12) **United States Design Patent** (10) **Patent No.:** **US D926,733 S**
Wu (45) **Date of Patent:** **** Aug. 3, 2021**

(54) **EARPHONE**

(71) Applicant: **Zhijun Wu**, Anhui (CN)

(72) Inventor: **Zhijun Wu**, Anhui (CN)

(**) Term: **15 Years**

(21) Appl. No.: **29/752,739**

(22) Filed: **Sep. 29, 2020**

(51) **LOC (13) Cl.** **14-01**

(52) **U.S. Cl.**
USPC **D14/223**

(58) **Field of Classification Search**
USPC D14/223; D24/174; 128/864, 865, 866;
381/380, 381, 322; 455/90.3, 575.1,
455/569.1
CPC H04R 1/10; H04R 25/00; H04R 1/1066;
H04R 1/1016; H04R 5/033; H04R
5/0335; H04R 1/1058; H04R 1/105;
H04R 1/1083; H04R 1/1091
See application file for complete search history.

(56) **References Cited**

U.S. PATENT DOCUMENTS

D554,109 S *	10/2007	Ledbetter	D14/223
D555,151 S *	11/2007	Eklund	D14/223
D606,980 S *	12/2009	Bradford	D14/218
D632,680 S *	2/2011	Anneback	D14/228
D636,763 S *	4/2011	Walter	D14/223
D664,125 S *	7/2012	Koch	D14/223
D693,796 S *	11/2013	Birger	D14/223
8,712,087 B2 *	4/2014	Ozawa H04R 1/1016 381/380	
D707,659 S *	6/2014	Henning	D14/223
8,831,266 B1 *	9/2014	Huang H04R 1/2811 381/380	
D718,284 S *	11/2014	Shibusawa	D14/223
D718,286 S *	11/2014	Yang	D14/223
D719,548 S *	12/2014	Thompson	D14/223
9,042,588 B2 *	5/2015	Aase H04R 1/1041 381/380	

D733,101 S *	6/2015	Pi	D14/223
D735,699 S *	8/2015	Yasuda	D14/223
D742,860 S *	11/2015	Miyake	D14/223
D746,792 S *	1/2016	Kim	D14/205
D757,682 S *	5/2016	Perez	D14/205
D762,196 S *	7/2016	Hsieh	D14/223

(Continued)

FOREIGN PATENT DOCUMENTS

EM	008370944-0001	*	12/2020
EM	008536924-0001	*	5/2021

OTHER PUBLICATIONS

True Wireless Earbuds Headphones, Balhvit IPX6 Waterproof 5.0 Bluetooth Earbuds, HiFi Stereo Sound Wireless Earphones With Mic, 35H Playtime Bluetooth Headphones With Fast Charging Case, retrieved from the internet Jun. 7, 2021, <https://www.amazon.co.uk/Headphones-Balhvit-Waterproof-Bluetooth-Earphones-White/d> (Year: 2021).*

Primary Examiner — Paula Allen Greene
(74) *Attorney, Agent, or Firm* — JCIP Global Inc.

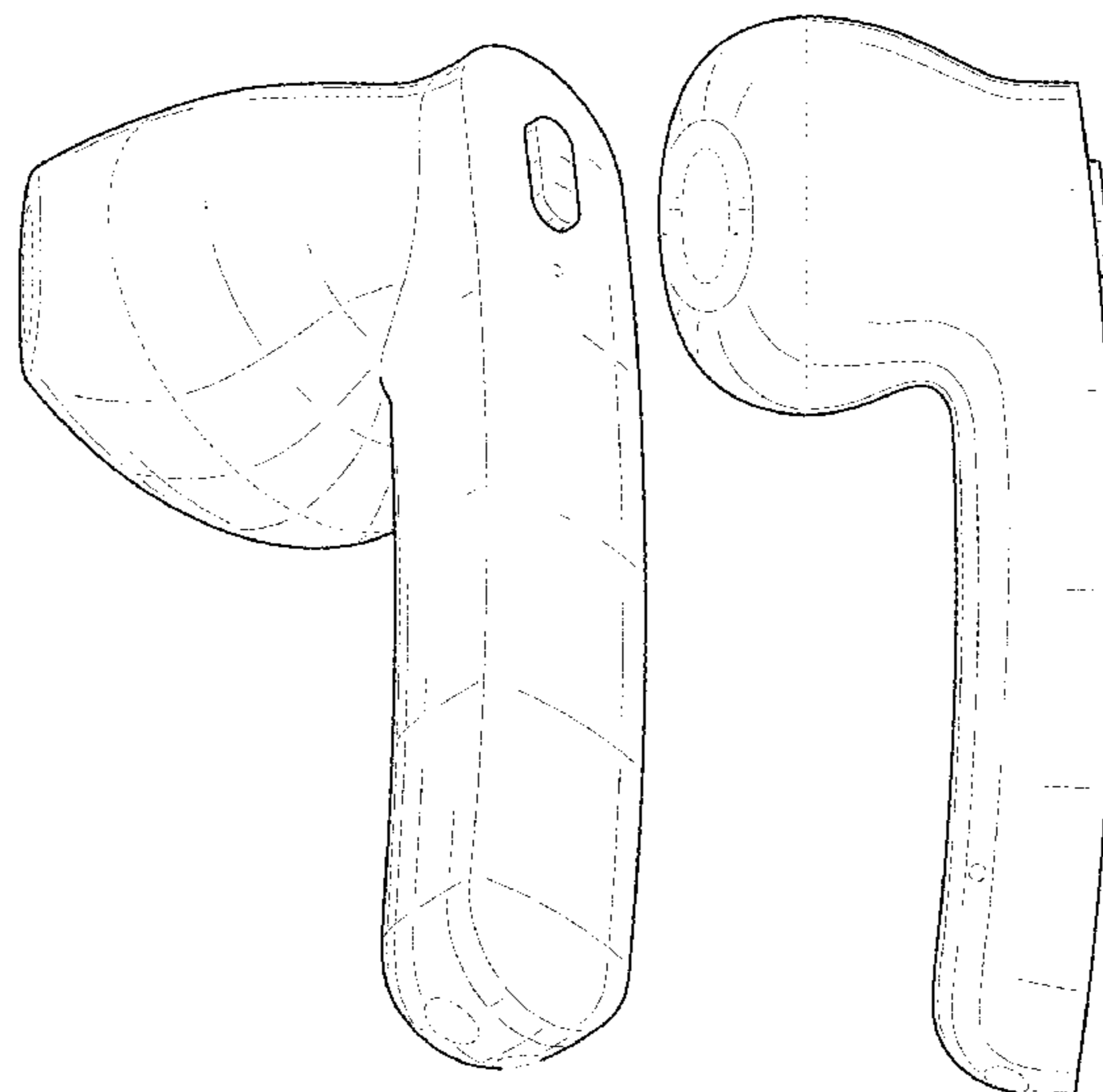
(57) **CLAIM**

The ornamental design for an earphone, as shown and described.

DESCRIPTION

FIG. 1 is a perspective view of an earphone showing my new design;
FIG. 2 is a front view thereof;
FIG. 3 is a rear view thereof;
FIG. 4 is a left side view thereof;
FIG. 5 is a right side view thereof;
FIG. 6 is a top view thereof; and,
FIG. 7 is a bottom view thereof.
The broken line portions of the earphone in FIGS. 1-7 represent unclaimed portions of the claimed design and form no part thereof.

1 Claim, 4 Drawing Sheets



(56)

References Cited

U.S. PATENT DOCUMENTS

D762,616 S * 8/2016 Hsieh D14/205
 D773,435 S * 12/2016 Ott D14/205
 D775,108 S * 12/2016 Hsieh D14/223
 D784,298 S * 4/2017 Ozawa D14/223
 D784,962 S * 4/2017 Yang D14/223
 D801,314 S * 10/2017 Akana D14/223
 D802,562 S * 11/2017 Baba D14/223
 D803,184 S * 11/2017 Loh Jun Kern D14/205
 D813,844 S * 3/2018 Stiff D14/223
 D820,809 S * 6/2018 Akana D14/205
 D822,009 S * 7/2018 Matoba D14/223
 D829,193 S * 9/2018 Cai D14/223
 D830,336 S * 10/2018 Cai D14/205
 D830,345 S * 10/2018 Cai D14/223
 D831,619 S * 10/2018 Matoba D14/223
 D832,823 S * 11/2018 Xiao D14/223
 D832,824 S * 11/2018 Kim D14/223
 D847,125 S * 4/2019 Akana D14/223
 D847,794 S * 5/2019 Guo D14/223
 D848,980 S * 5/2019 Kim D14/223
 D848,982 S * 5/2019 Kim D14/223
 D853,995 S * 7/2019 Cai D14/223
 D861,647 S * 10/2019 Chen D14/223
 D864,165 S * 10/2019 Roberts D14/223
 D864,169 S * 10/2019 Min D14/223
 D864,919 S * 10/2019 Bonahoom D14/223
 D869,445 S * 12/2019 Hu D14/223
 D877,722 S * 3/2020 Yang D14/223
 D878,337 S * 3/2020 Yang D14/223
 D882,553 S * 4/2020 Wu D14/223
 D883,260 S * 5/2020 Hu D14/223
 D883,960 S * 5/2020 Du D14/223
 D884,682 S * 5/2020 Du D14/223
 D885,373 S * 5/2020 Lundback D14/223

D887,396 S * 6/2020 Wang D14/223
 D888,690 S * 6/2020 Yan D14/223
 D888,691 S * 6/2020 Liu D14/223
 D889,436 S * 7/2020 Zhang D14/223
 D889,437 S * 7/2020 Ando D14/223
 D889,440 S * 7/2020 Yan D14/223
 D890,138 S * 7/2020 Peng D14/223
 D890,724 S * 7/2020 Li D14/223
 D893,462 S * 8/2020 Liu D14/223
 D895,579 S * 9/2020 Yang D14/223
 D895,582 S * 9/2020 Wu D14/223
 D896,206 S * 9/2020 Xu D14/223
 D896,207 S * 9/2020 He D14/223
 D897,997 S * 10/2020 Zhang D14/223
 D897,998 S * 10/2020 Ma D14/223
 D900,065 S * 10/2020 Distefano D14/223
 D903,639 S * 12/2020 Yang D14/223
 D905,018 S * 12/2020 Zhu D14/223
 D907,008 S * 1/2021 Yao D14/223
 D910,600 S * 2/2021 Zhang D14/223
 D910,601 S * 2/2021 Hu D14/223
 D912,017 S * 3/2021 Chen D14/223
 D914,652 S * 3/2021 Chen D14/223
 D916,684 S * 4/2021 Fang D14/223
 D916,685 S * 4/2021 Fang D14/223
 D918,178 S * 5/2021 Chen D14/223
 D920,291 S * 5/2021 Hou D14/223
 2012/0237074 A1 * 9/2012 Aase H04R 1/1075
 381/380
 2013/0343595 A1 * 12/2013 Zorkendorfer H04R 1/1016
 381/380
 2015/0382100 A1 * 12/2015 Azmi H04R 1/1016
 381/380
 2017/0164082 A1 * 6/2017 Lee H04R 1/025
 2021/0099791 A1 * 4/2021 Grinker H04R 1/1016

* cited by examiner

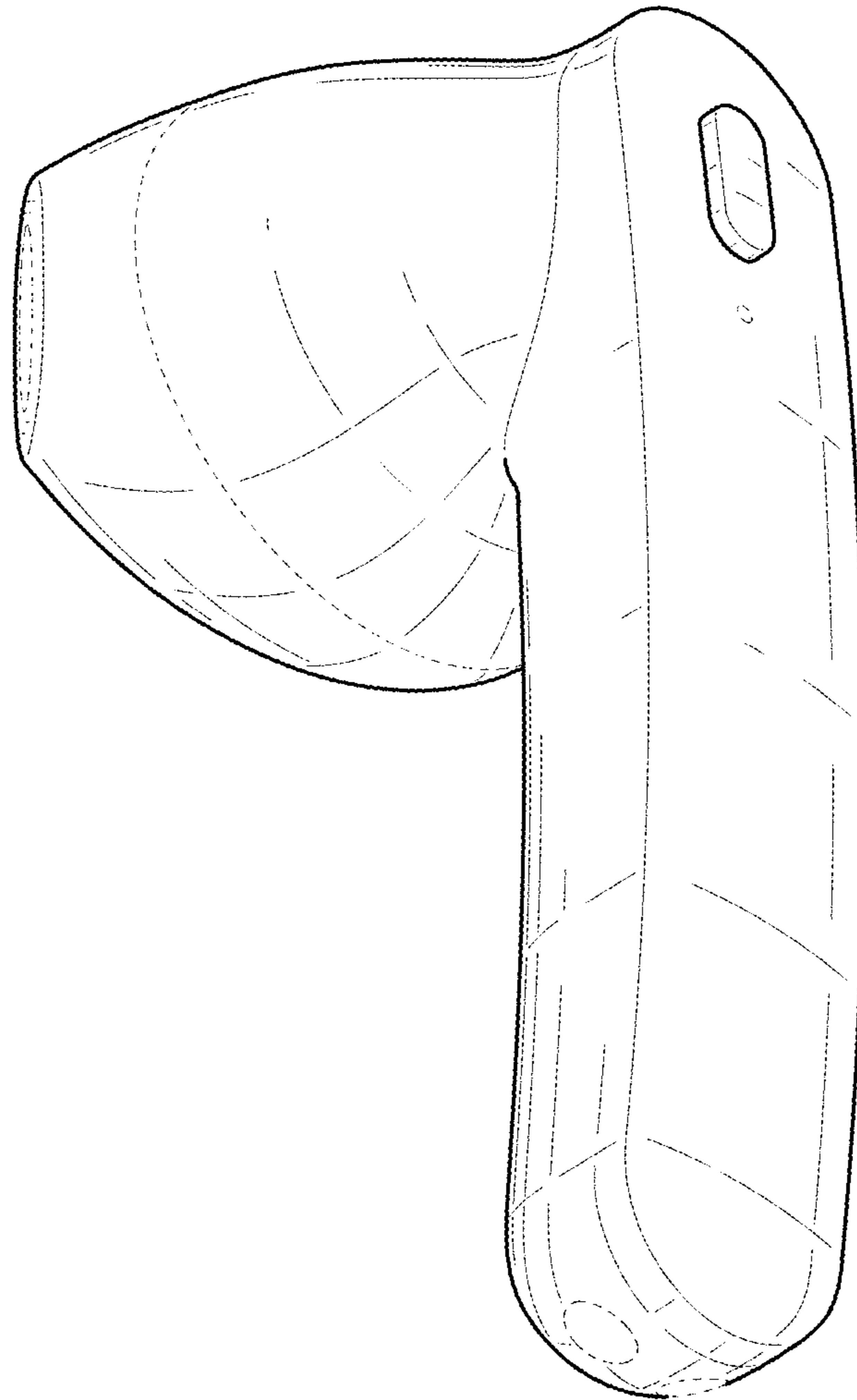


FIG. 1

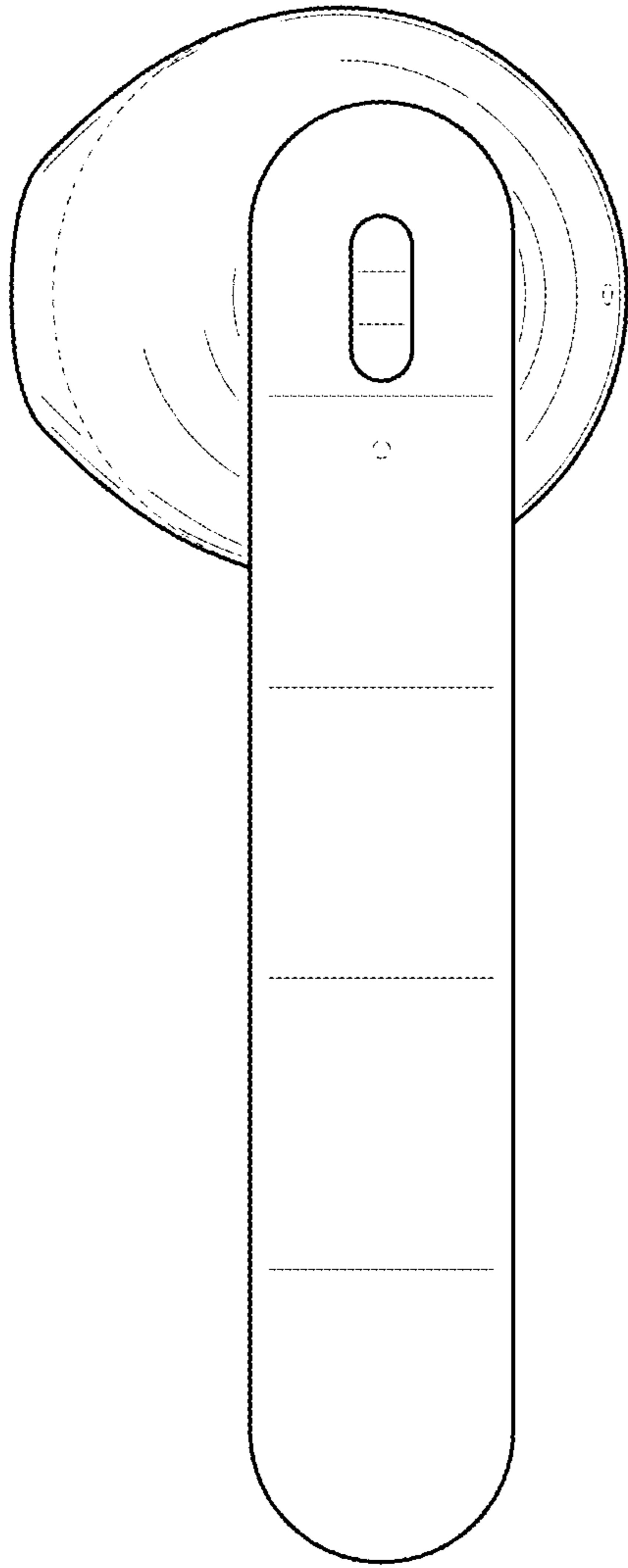


FIG. 2

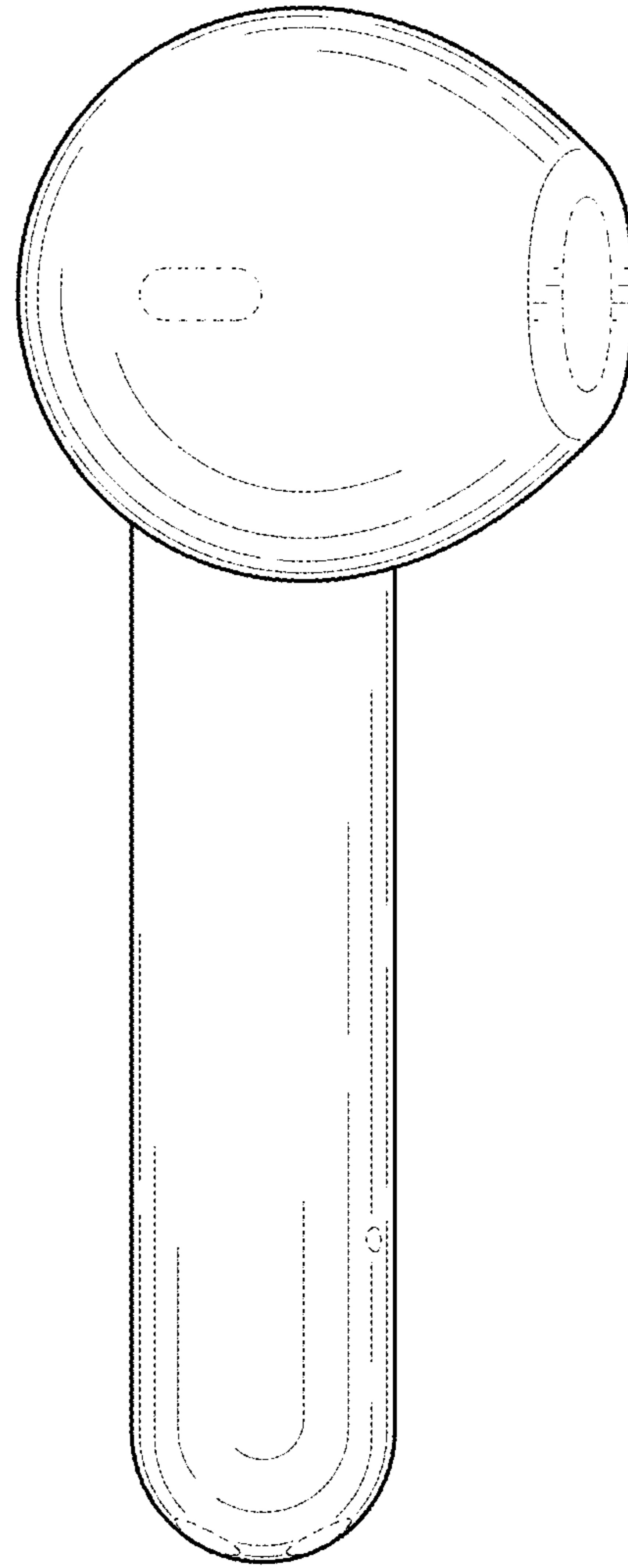


FIG. 3

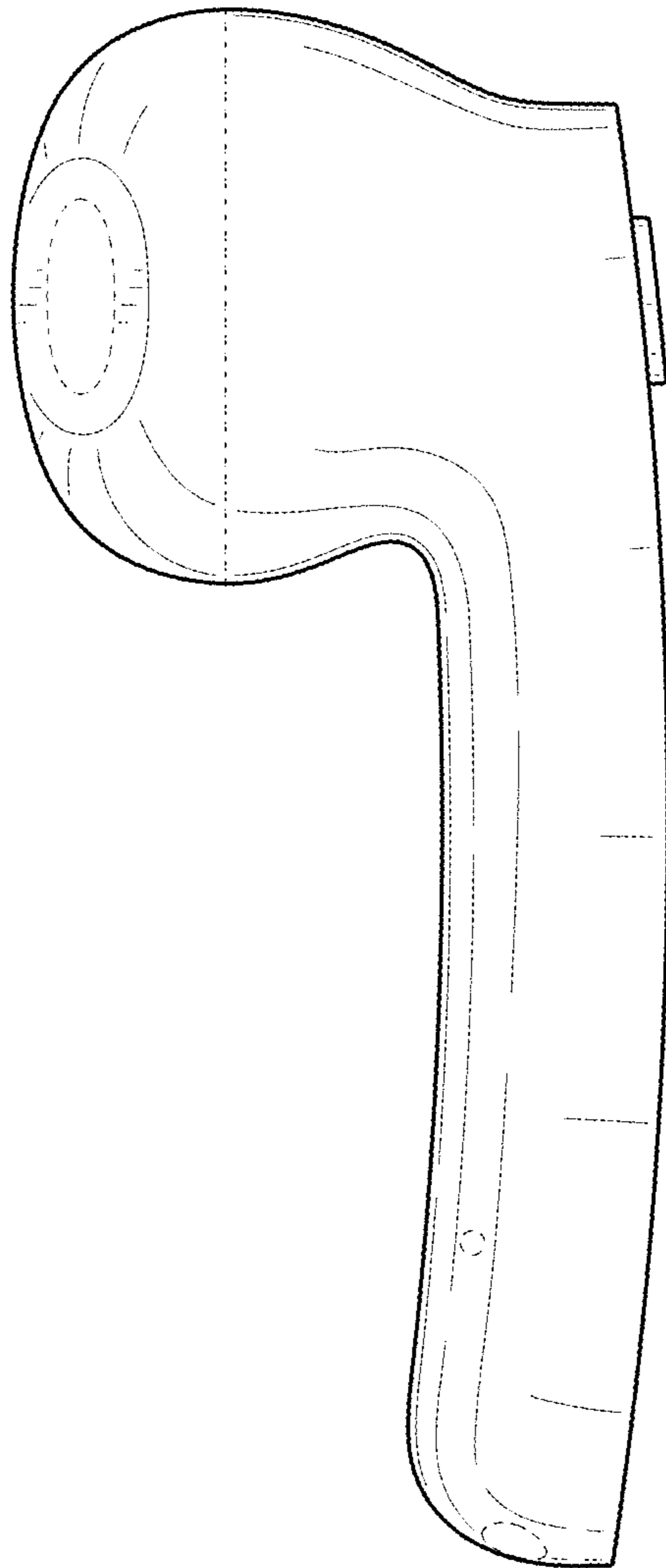


FIG. 4

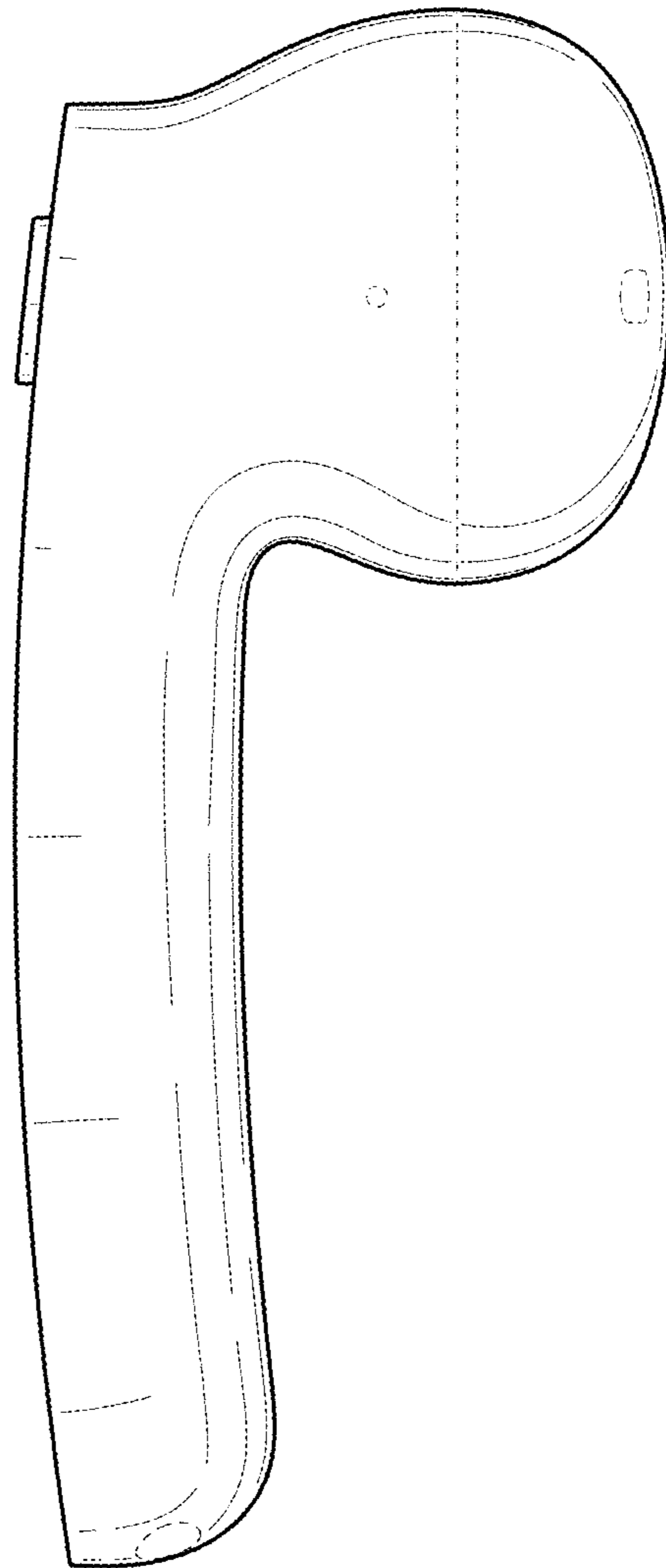


FIG. 5

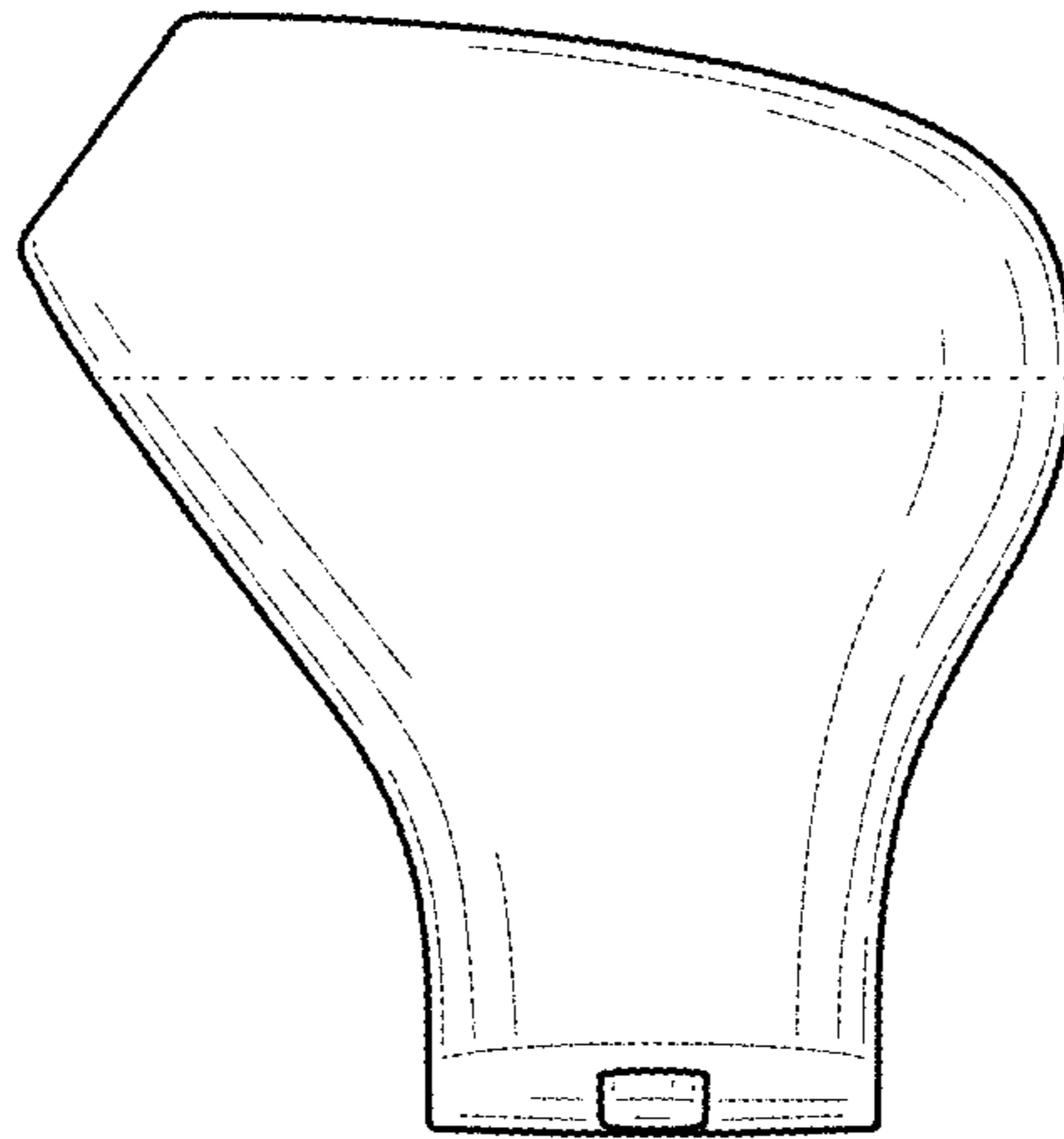


FIG. 6

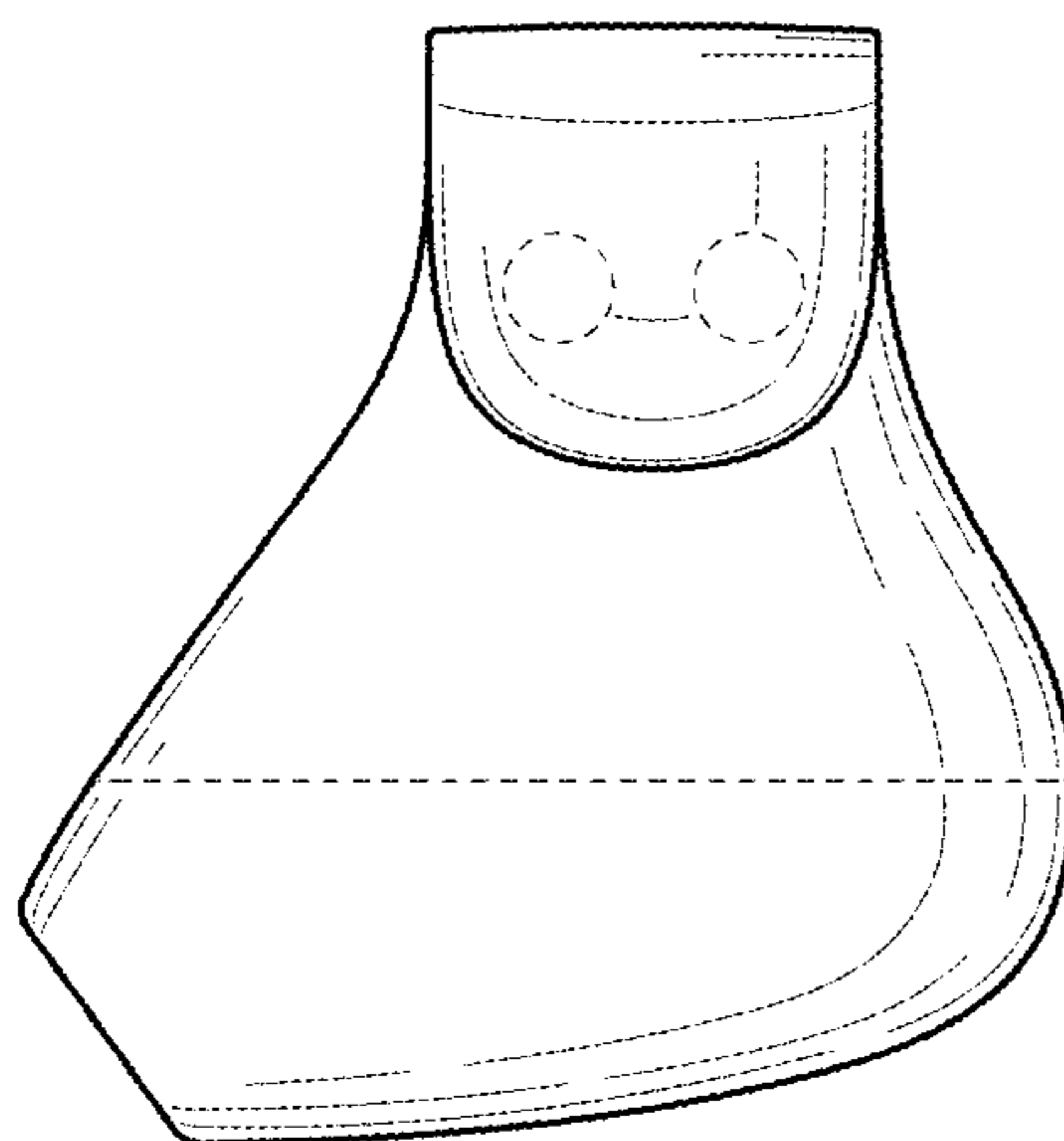


FIG. 7