



US00D926729S

(12) **United States Design Patent**
Breines

(10) **Patent No.:** **US D926,729 S**

(45) **Date of Patent:** **** Aug. 3, 2021**

(54) **SPEAKER**

(71) Applicant: **Robert Breines**, Westlake Village, CA
(US)

(72) Inventor: **Robert Breines**, Westlake Village, CA
(US)

(**) Term: **15 Years**

(21) Appl. No.: **29/686,665**

(22) Filed: **Apr. 5, 2019**

(51) **LOC (13) Cl.** **14-01**

(52) **U.S. Cl.**
USPC **D14/216**

(58) **Field of Classification Search**
USPC D14/167, 168, 170–172, 188, 194–196,
D14/204, 209.1, 210–216, 219, 221, 222,
D14/224, 239, 496
CPC B60R 11/0217; G06F 1/1688; G10K 9/22;
G10K 11/004; H03F 1/327; H04M 1/03;
H04M 1/035; H04N 5/642; H04N
21/4852; H04R 1/02; H04R 1/06; H04R
1/021; H04R 1/025; H04R 1/026; H04R
1/028; H04R 1/105; H04R 1/323; H04R
1/403; H04R 1/2803; H04R 1/2834;
H04R 5/02; H04R 7/20; H04R 9/06;
H04R 9/025; H04R 2400/021; H04R
2400/00; H04R 2400/07; H04R 2499/11;
H04R 2499/13; H04R 2499/15; H04S
3/00; H04S 7/30

See application file for complete search history.

(56) **References Cited**

U.S. PATENT DOCUMENTS

D753,094 S *	4/2016	Holzer	D14/214
D787,472 S *	5/2017	Liu	D14/216
D842,903 S *	3/2019	You	D14/497
D851,621 S *	6/2019	Demin	D14/204
D866,516 S *	11/2019	Demin	D14/216
D868,034 S *	11/2019	Summerson	D14/216
D886,772 S *	6/2020	Xiong	D14/204
D890,120 S *	7/2020	Peng	D14/204

OTHER PUBLICATIONS

Enhance Store (Amazon.com); “Enhance SB2 Computer Speakers . . .”; [online] ‘<https://www.amazon.com/ENHANCE-Computer-Speakers-Lights-Powered/dp/B07GJV9LHW>’; dated Aug. 16, 2018; accessed Apr. 29, 2021; 9 pgs. (Year: 2018).*

* cited by examiner

Primary Examiner — Keli L Hill

(57) **CLAIM**

I claim the ornamental design for a speaker, as shown and described.

DESCRIPTION

FIG. 1 is a perspective view of the speaker, showing the new design;

FIG. 2 is a front view thereof;

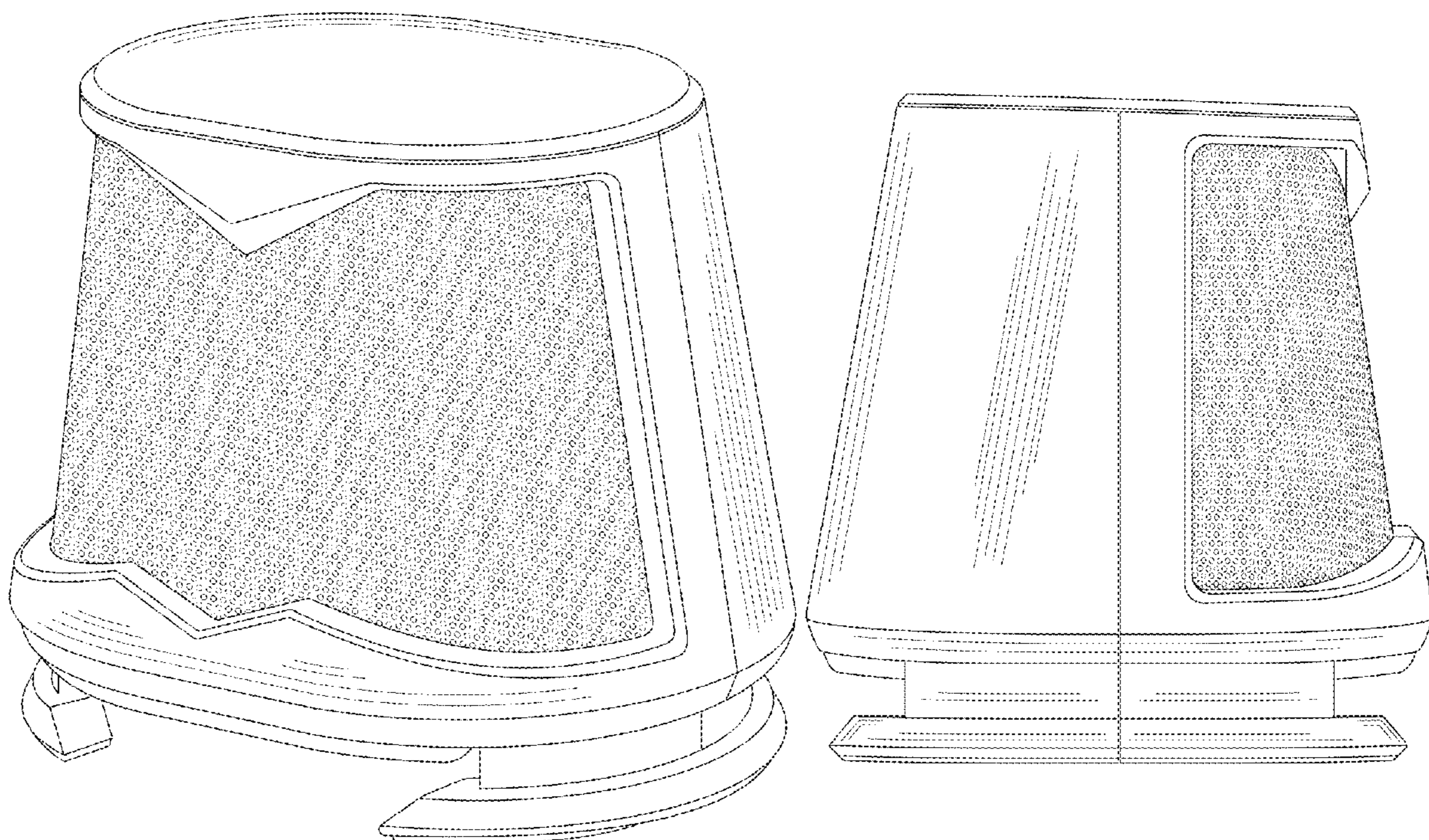
FIG. 3 is a rear view thereof;

FIG. 4 is a top plan view thereof;

FIG. 5 is a left-side view thereof; and,

FIG. 6 is a right-side view thereof.

1 Claim, 4 Drawing Sheets



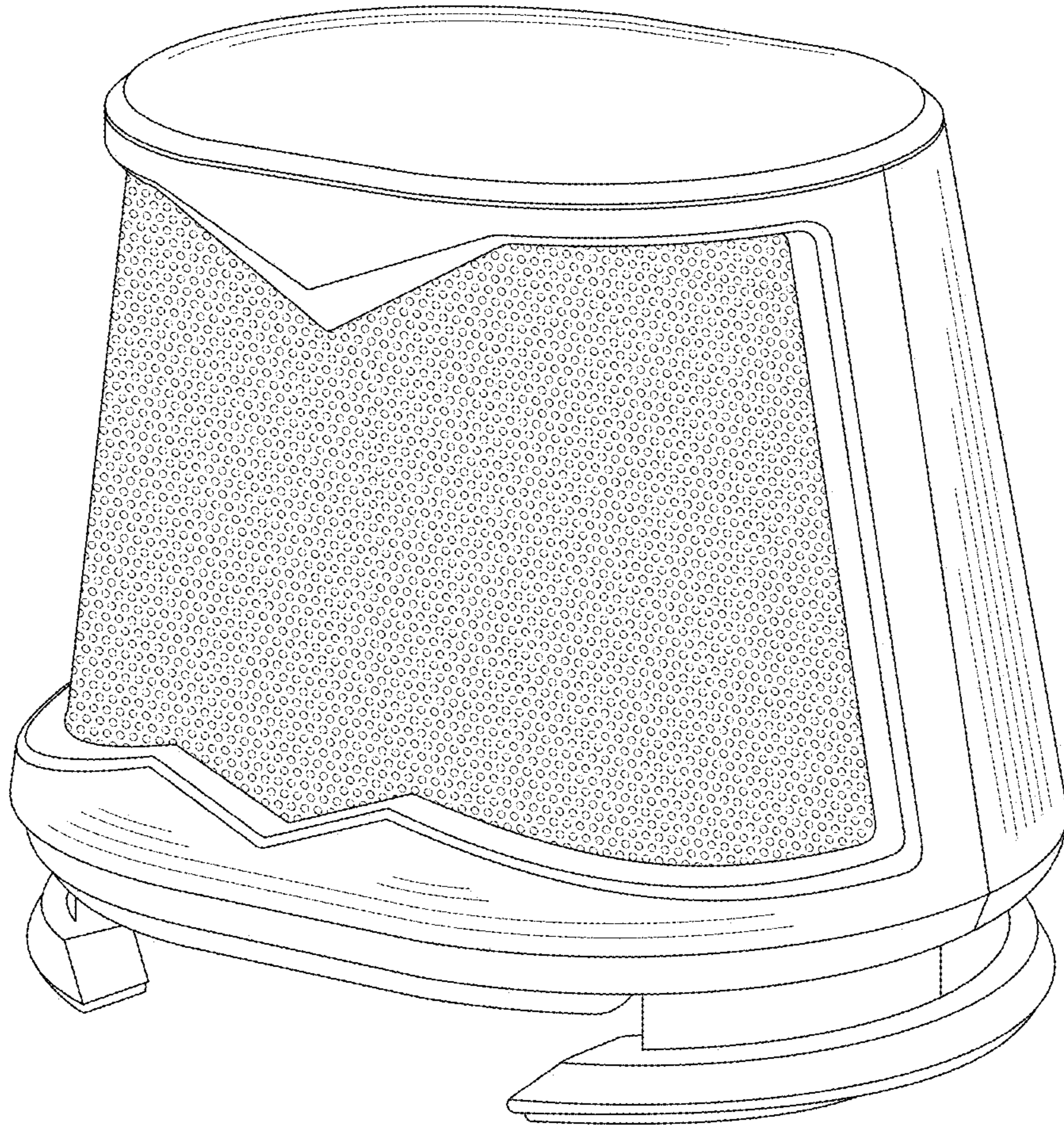


Fig. 1

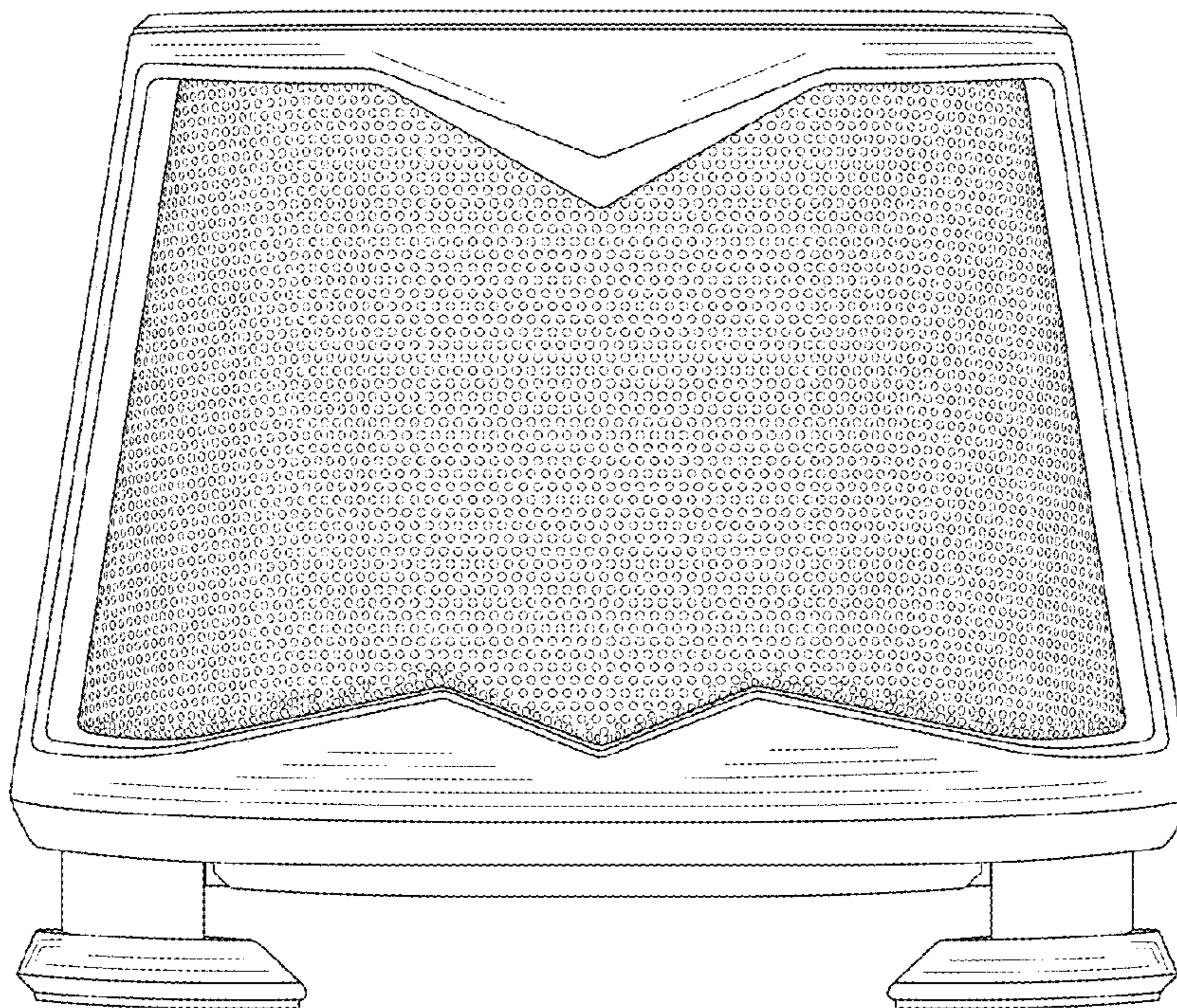


Fig. 2

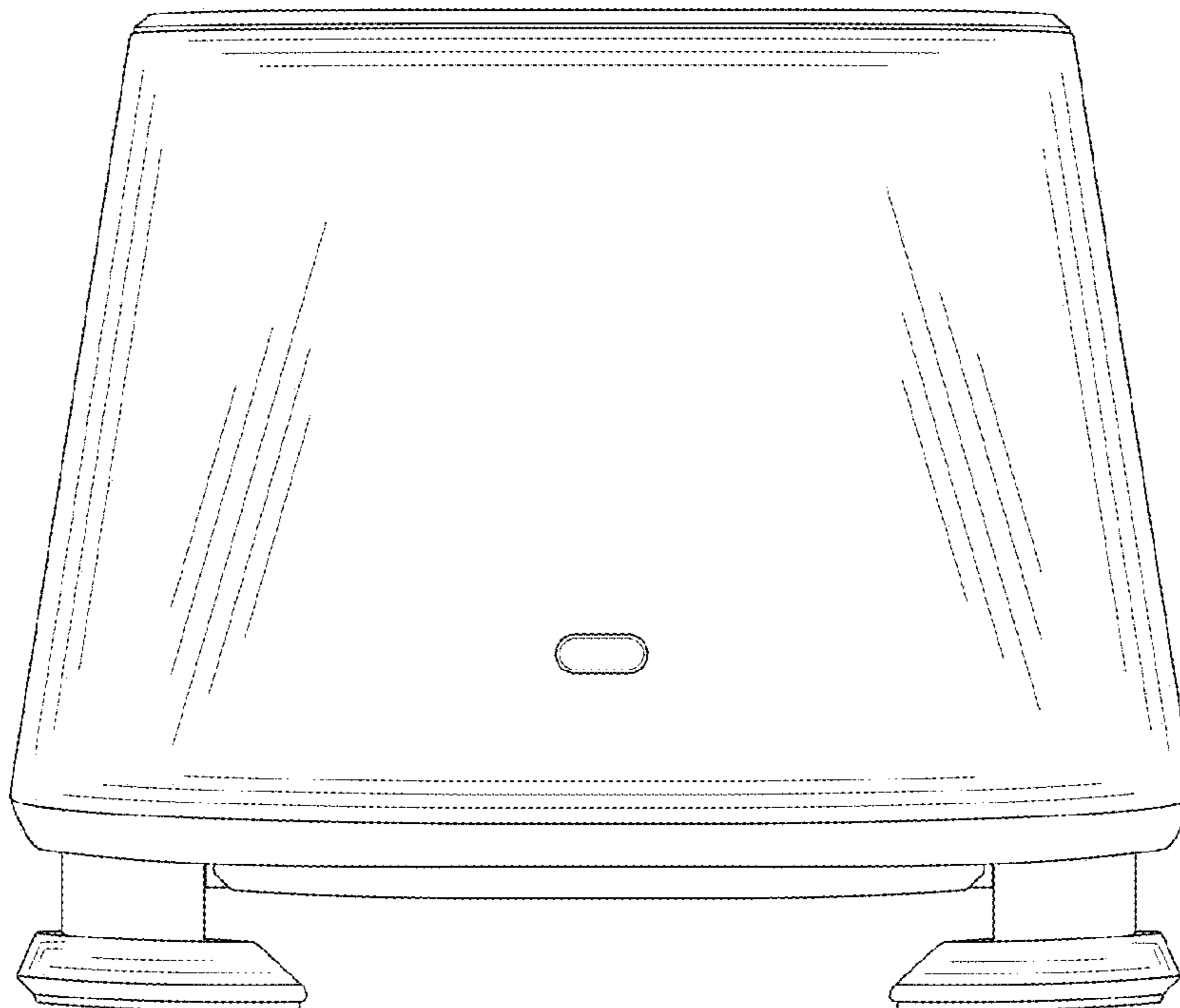


Fig. 3

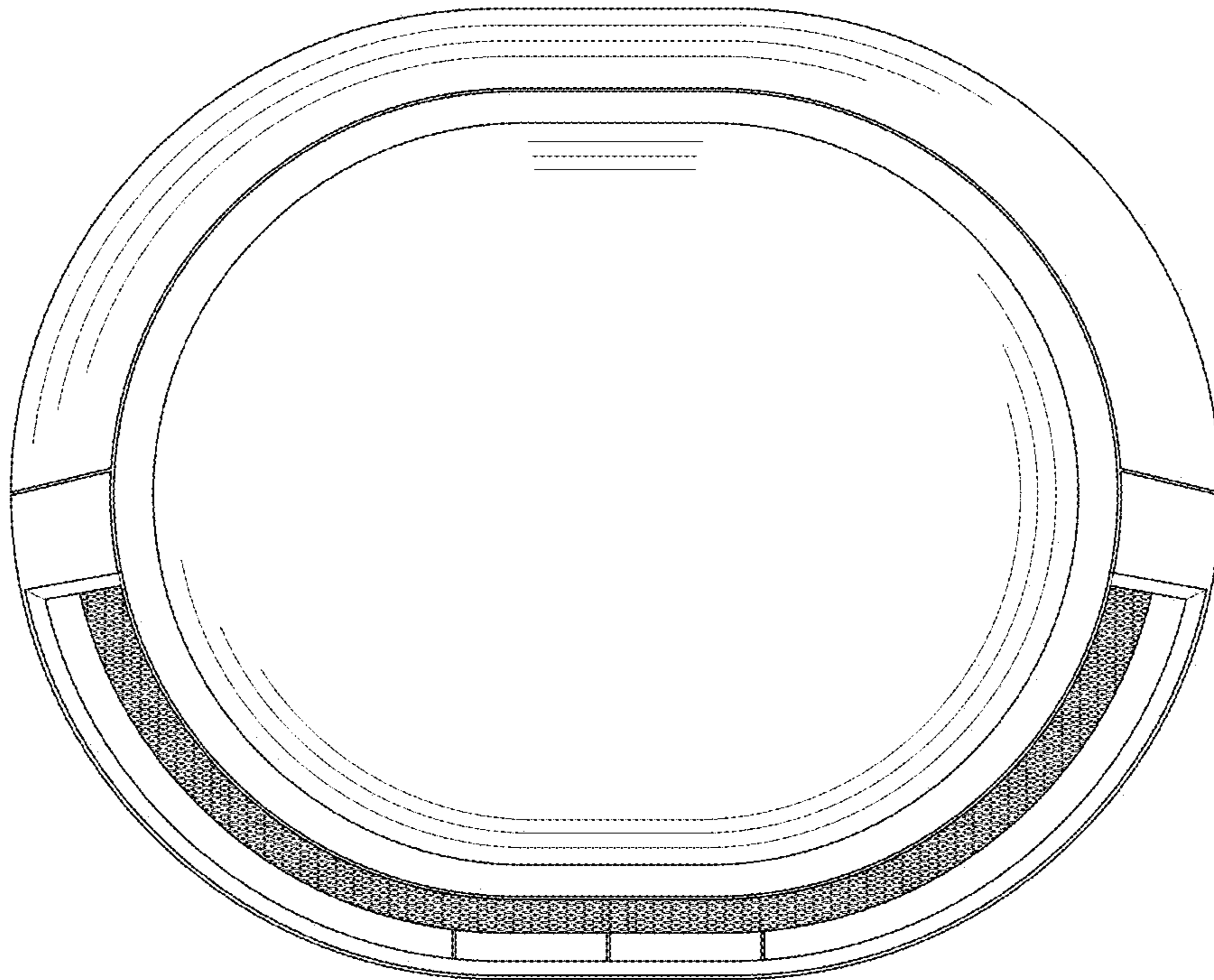


Fig. 4

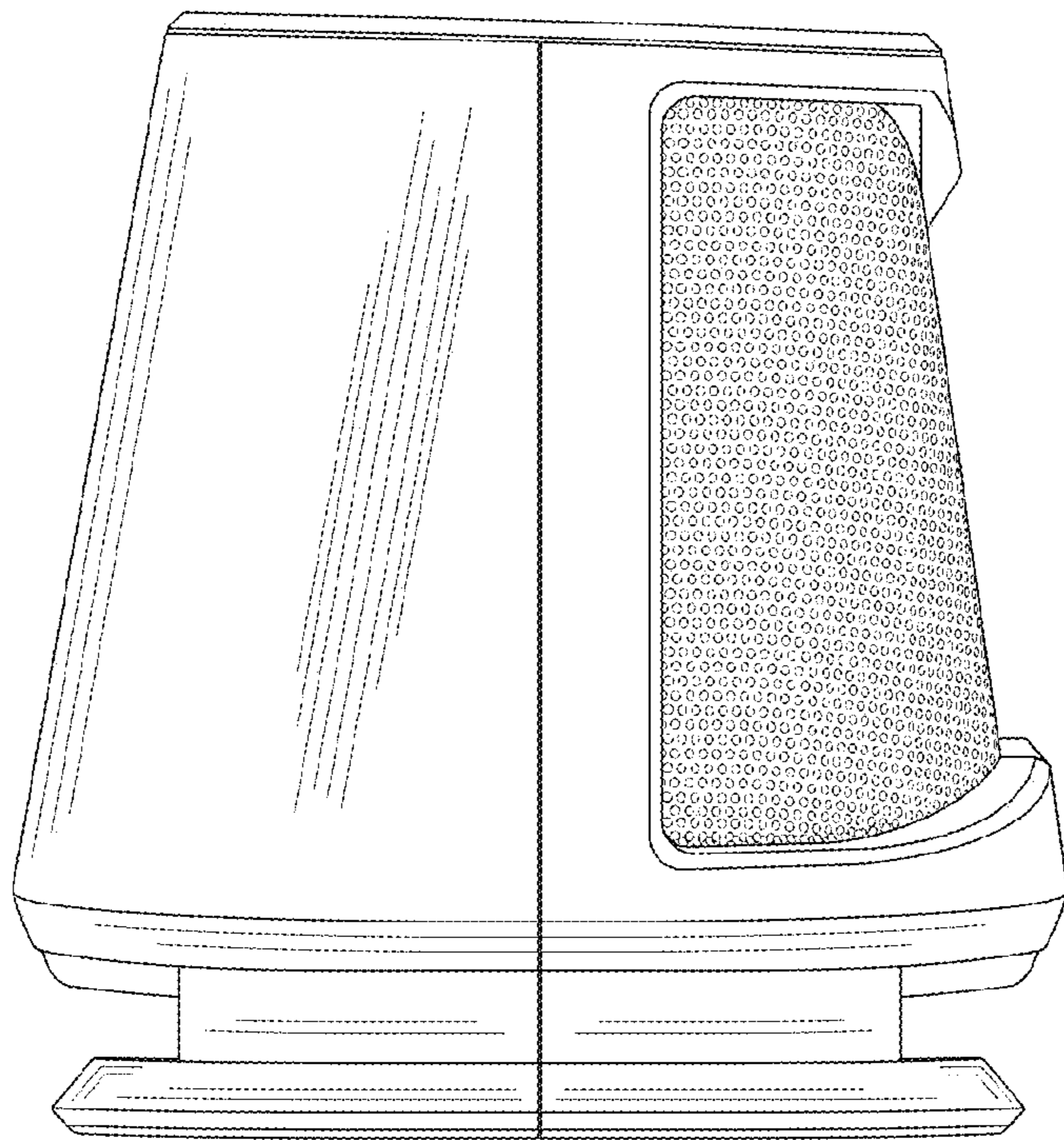


Fig. 5

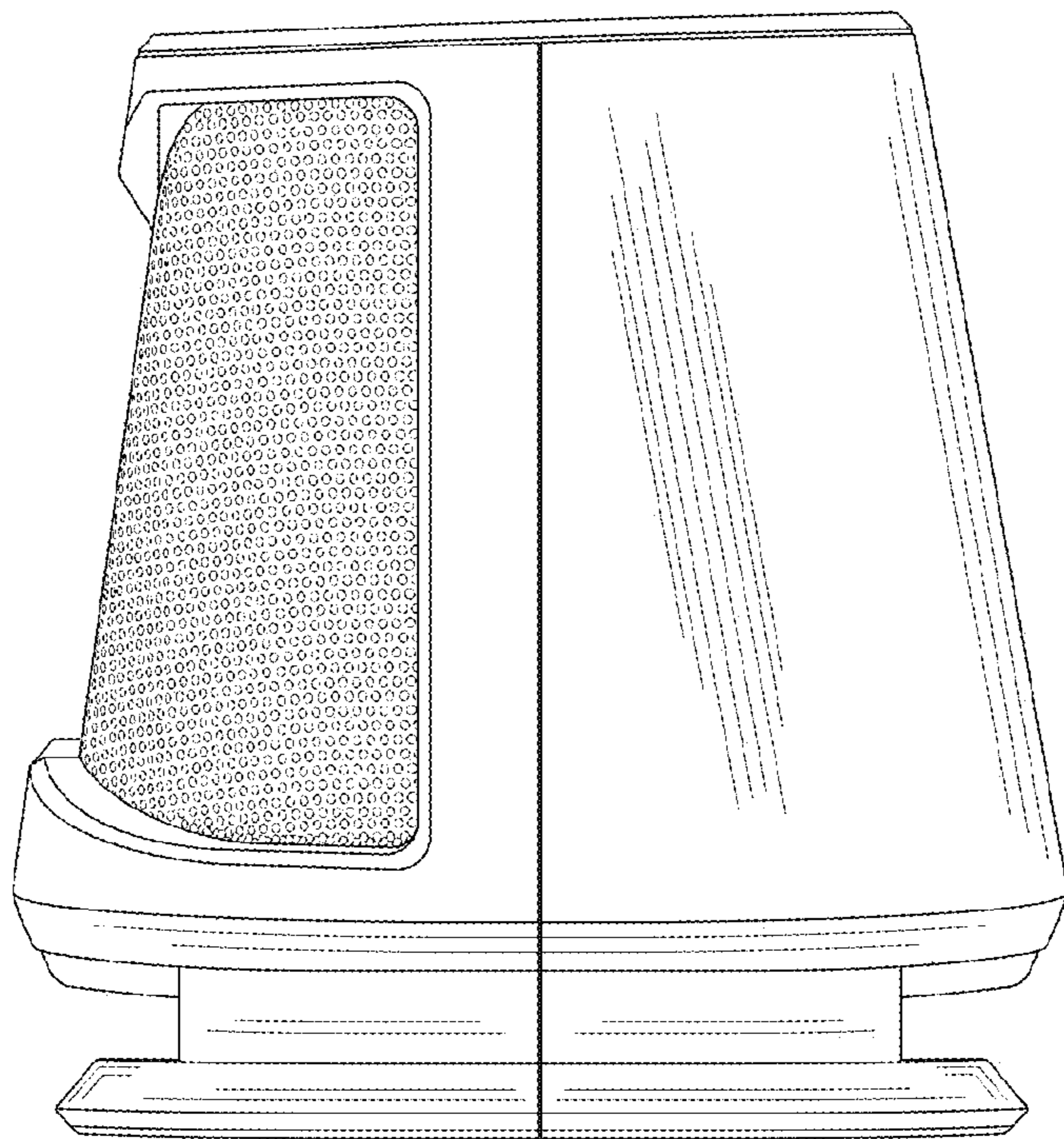


Fig. 6