



US00D926728S

(12) **United States Design Patent**
He et al.

(10) **Patent No.:** **US D926,728 S**

(45) **Date of Patent:** **** Aug. 3, 2021**

(54) **PORTABLE WIRELESS SPEAKER**

(71) Applicant: **SHENZHEN THOUSANDSHORES TECHNOLOGY CO., LTD.**, Shenzhen (CN)

(72) Inventors: **Eric He**, Shenzhen (CN); **Sam Liu**, Shenzhen (GD)

(**) Term: **15 Years**

(21) Appl. No.: **29/705,919**

(22) Filed: **Sep. 17, 2019**

(51) **LOC (13) Cl.** **14-01**

(52) **U.S. Cl.**
USPC **D14/214**

(58) **Field of Classification Search**

USPC 206/1.5, 307, 308.2, 387.11; 360/131, 360/134, 137, 132; 242/348, 354, 358, 242/388.1, 343.2, 345.2, 347, 376, 377, 242/382, 382.6, 385, 899, 262; D10/121, D10/132, 65, 70; D14/209-219, 299, D14/300, 315-327, 161-164, 240, 250, D14/332, 336, 348, 385, 391-399, D14/447-448, 450, 474-478, 483, 496, D14/507; D25/119; D8/330, 336, 346, D8/349, 363, 364, 303, 339; D18/1-2, 7; D6/632-634

CPC G06F 1/1601; G06F 1/1616; G06F 1/1633; G06F 1/1652; G06F 1/1681; G06F 1/1613; G06F 1/1628; G06F 1/1626; G06F 1/669; H05K 5/0004; H05K 5/0017; H05K 5/0021; H05K 5/0043; H05K 5/0047; H05K 5/0052; A47B 23/044; H04B 1/3888; H04R 1/021; H04R 1/02; H04R 1/023; H04R 5/00; H04R 9/06; H04R 2420/07

See application file for complete search history.

(56) **References Cited**

U.S. PATENT DOCUMENTS

D629,011 S * 12/2010 Lee D14/496
D629,012 S * 12/2010 Lee D14/496

D706,249 S * 6/2014 Holzer D14/240
D710,824 S * 8/2014 Mackiewicz D14/214
D733,596 S * 7/2015 Goodner D10/70
D758,346 S * 6/2016 DiTullo D14/214
D786,218 S * 5/2017 Tan D14/215
D786,828 S * 5/2017 Hua D14/214
D797,099 S * 9/2017 Wieser D14/358
D830,322 S * 10/2018 Yaprak D13/184

(Continued)

OTHER PUBLICATIONS

Tribit StormBox Micro Bluetooth Speaker, first available Mar. 12, 2020, amazon.com, [online], [site visited May 7, 2021], Available from internet URL: [https://www.amazon.com/dp/B07VSPPQXC/ref=sspa_dk_detail_3?pd_rd_i=B07VSPPQXC&pd_rd_w=0Z2Zr&pf_rd_p=7771f1a2-d77a-4098-a19e-6d9a1e65f44d&pd_rd_wg=UBUXY&p=\(Year: 2020\).](https://www.amazon.com/dp/B07VSPPQXC/ref=sspa_dk_detail_3?pd_rd_i=B07VSPPQXC&pd_rd_w=0Z2Zr&pf_rd_p=7771f1a2-d77a-4098-a19e-6d9a1e65f44d&pd_rd_wg=UBUXY&p=(Year: 2020).)*

(Continued)

Primary Examiner — Samantha Q Lawrence
Assistant Examiner — Holly M Rodriguez

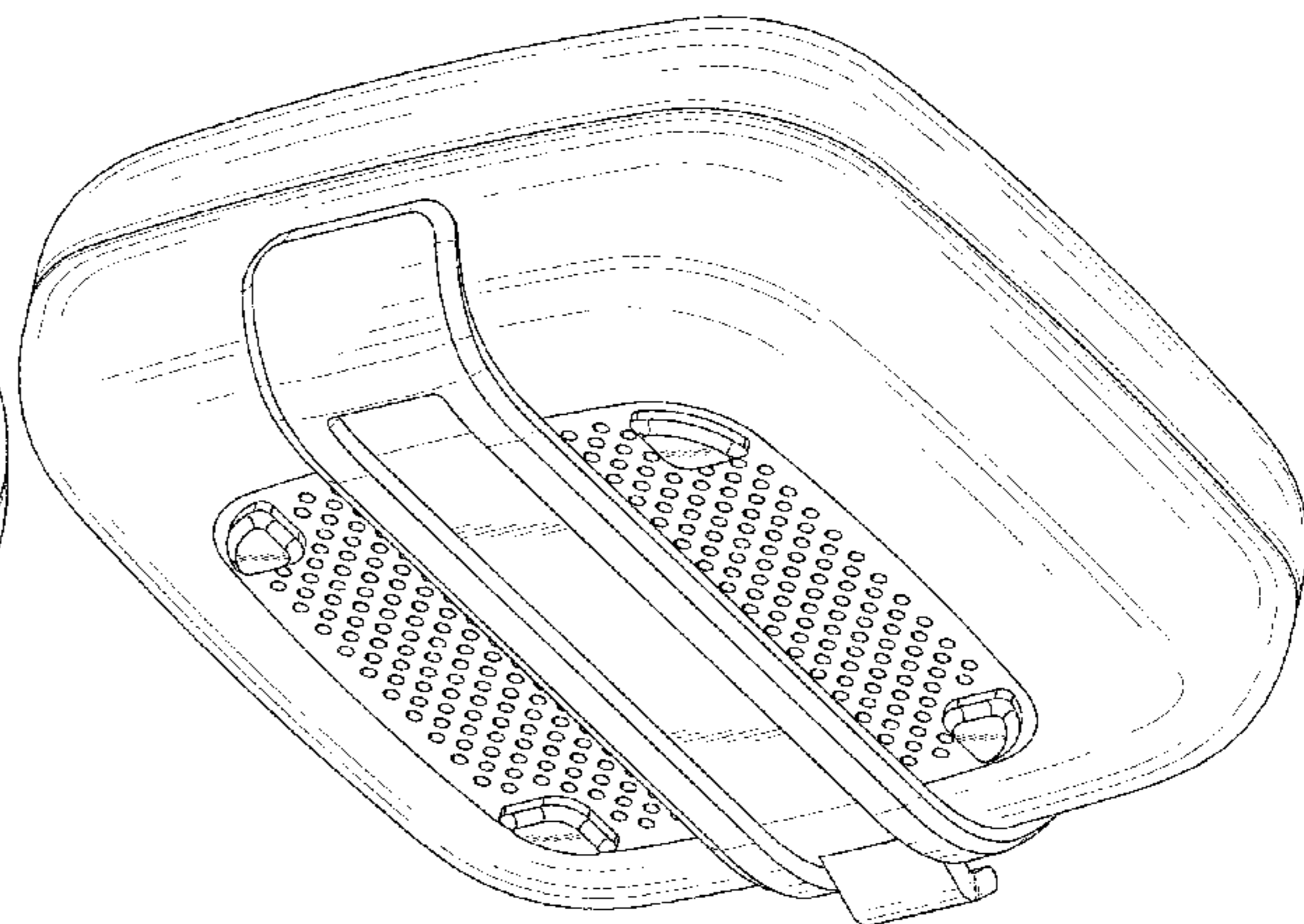
(57) **CLAIM**

The ornamental design for a portable wireless speaker, as shown and described.

DESCRIPTION

FIG. 1 is a perspective view of a portable wireless speaker showing my new design;
FIG. 2 is another perspective view thereof;
FIG. 3 is a rear view thereof;
FIG. 4 is a front view thereof;
FIG. 5 is a right side view thereof;
FIG. 6 is a left side view thereof;
FIG. 7 is a top plan view thereof; and,
FIG. 8 is a bottom plan view thereof.
The broken lines shown in FIG. 1 and FIGS. 3-8 illustrate portions of the portable wireless speaker that form no part of the claimed design.

1 Claim, 8 Drawing Sheets



(56)

References Cited

U.S. PATENT DOCUMENTS

D830,343 S	*	10/2018	Fustino	D14/214
D844,587 S	*	4/2019	Lu	D14/214
D850,444 S	*	6/2019	Mullins	D14/344
D867,316 S	*	11/2019	Newton	D14/138 R
D873,240 S	*	1/2020	Roberts	D14/210
D889,430 S	*	7/2020	Teruzzi	D14/204
D910,587 S	*	2/2021	Newton	D14/149

OTHER PUBLICATIONS

Bose SoundLink Micro: Small Portable Bluetooth Speaker, first available Sep. 22, 2017, amazon.com, [online], [site visited May 7, 2021], Available from internet URL: https://www.amazon.com/Bose-SoundLink-Micro-Bluetooth-speaker/dp/B0748N1BZD/ref=sr_1_3?dchild=1&keywords=SoundLink+Micro+Bluetooth&qid=162 (Year: 2017).*

* cited by examiner



FIG. 1

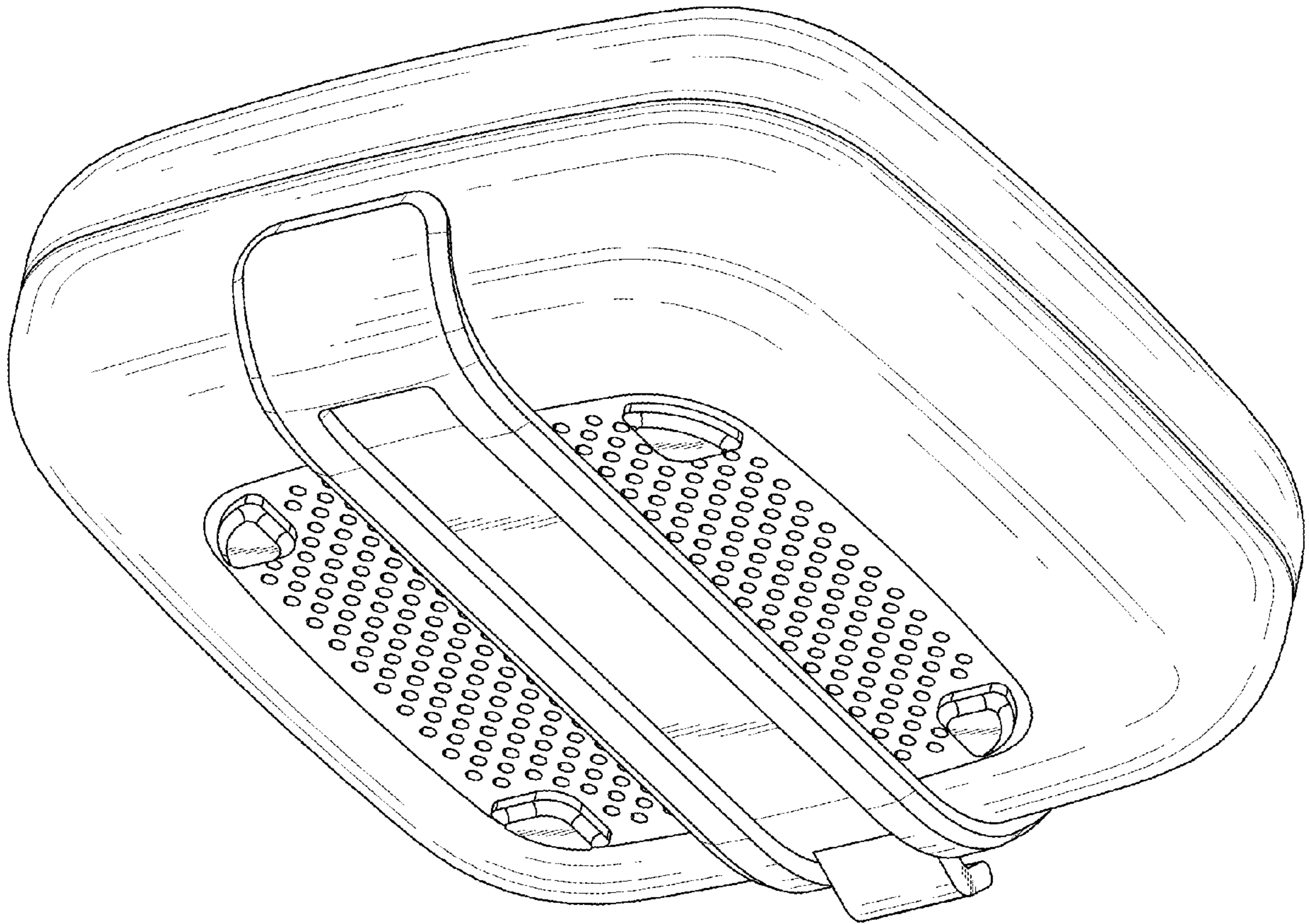


FIG. 2

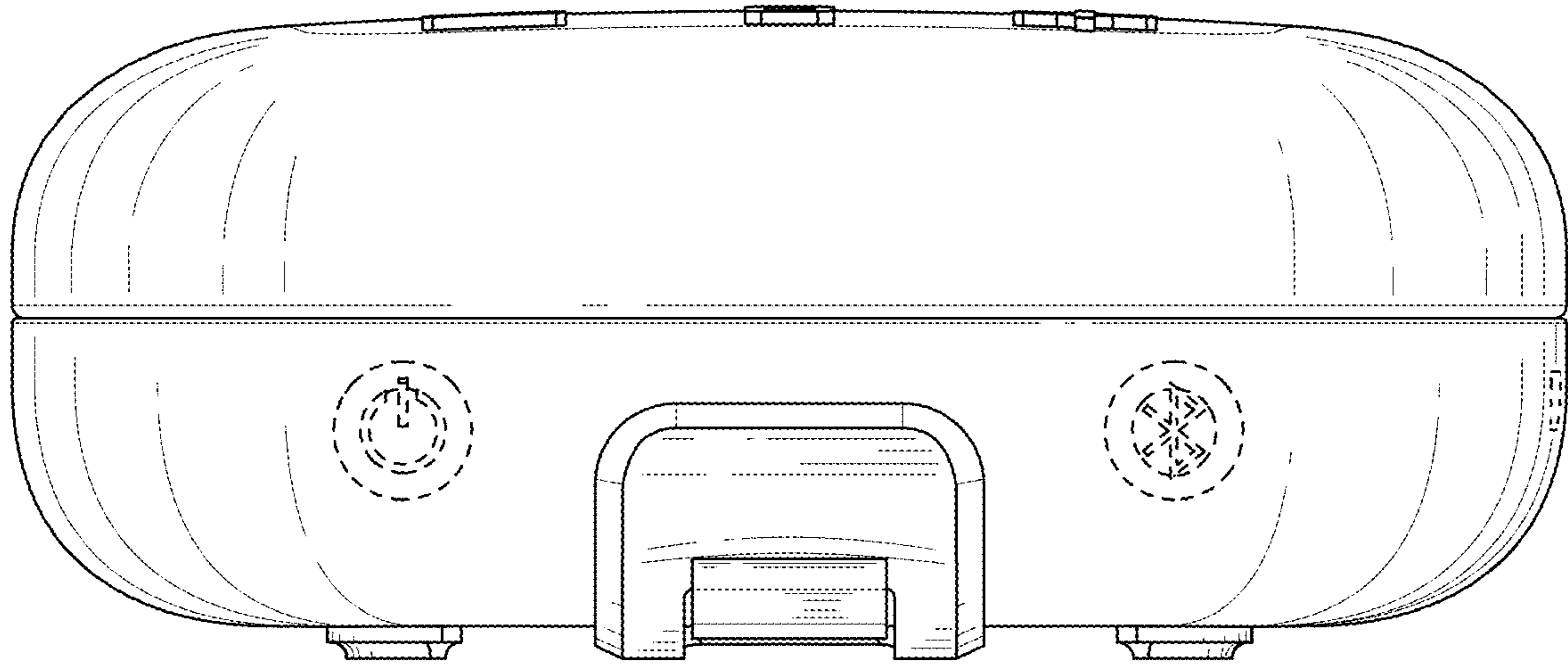


FIG. 3

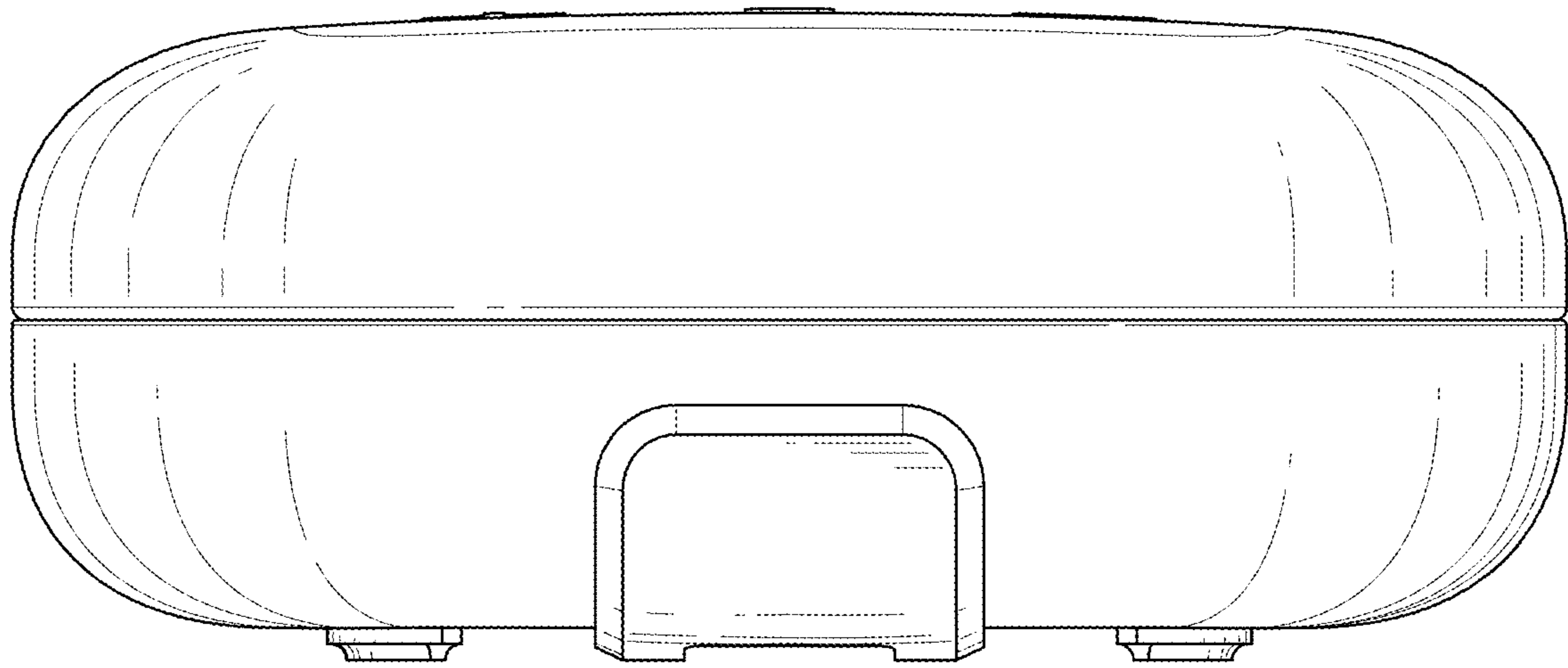


FIG. 4

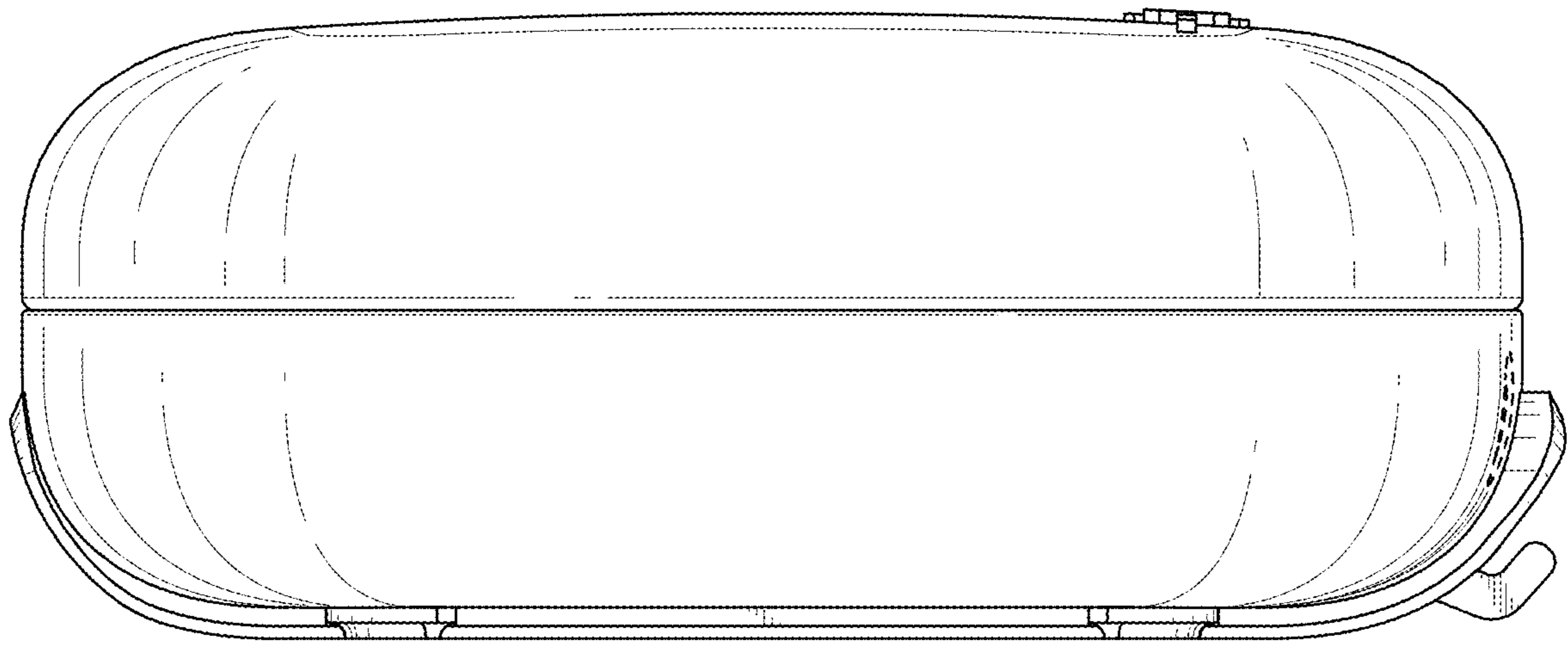


FIG. 5

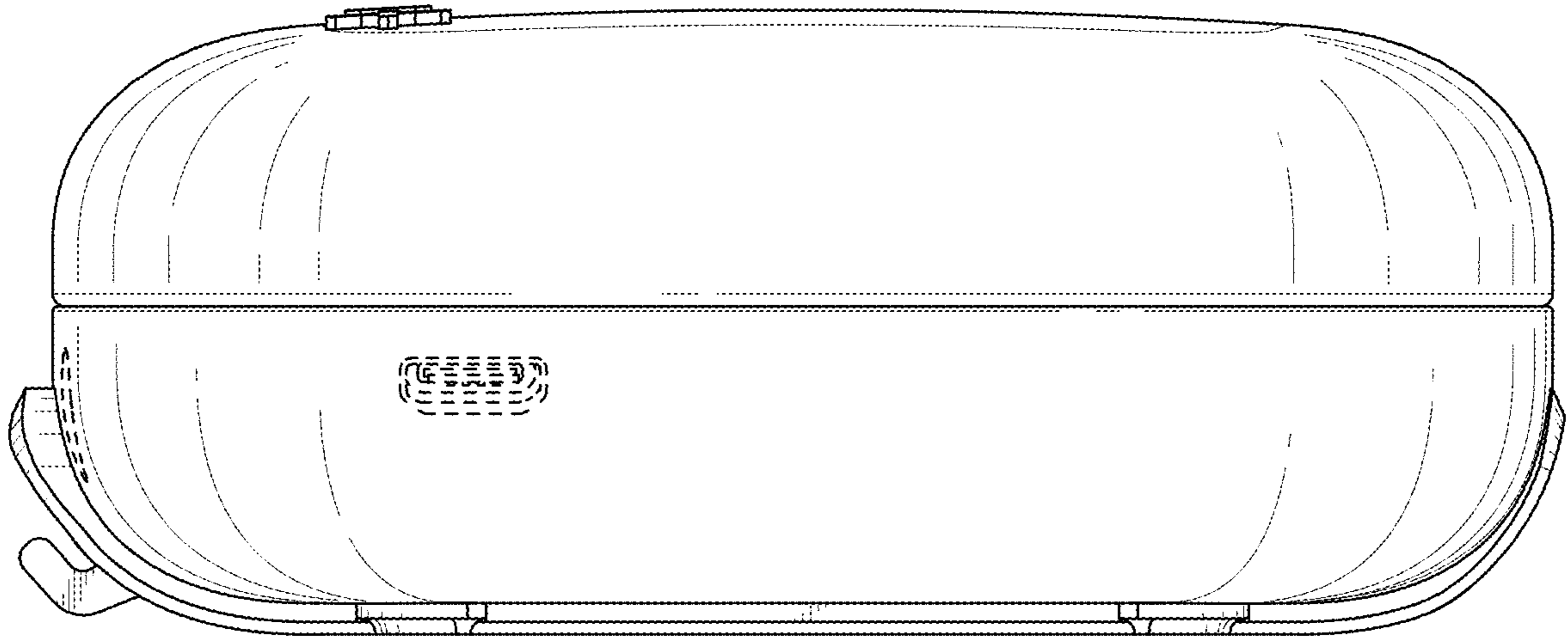


FIG. 6

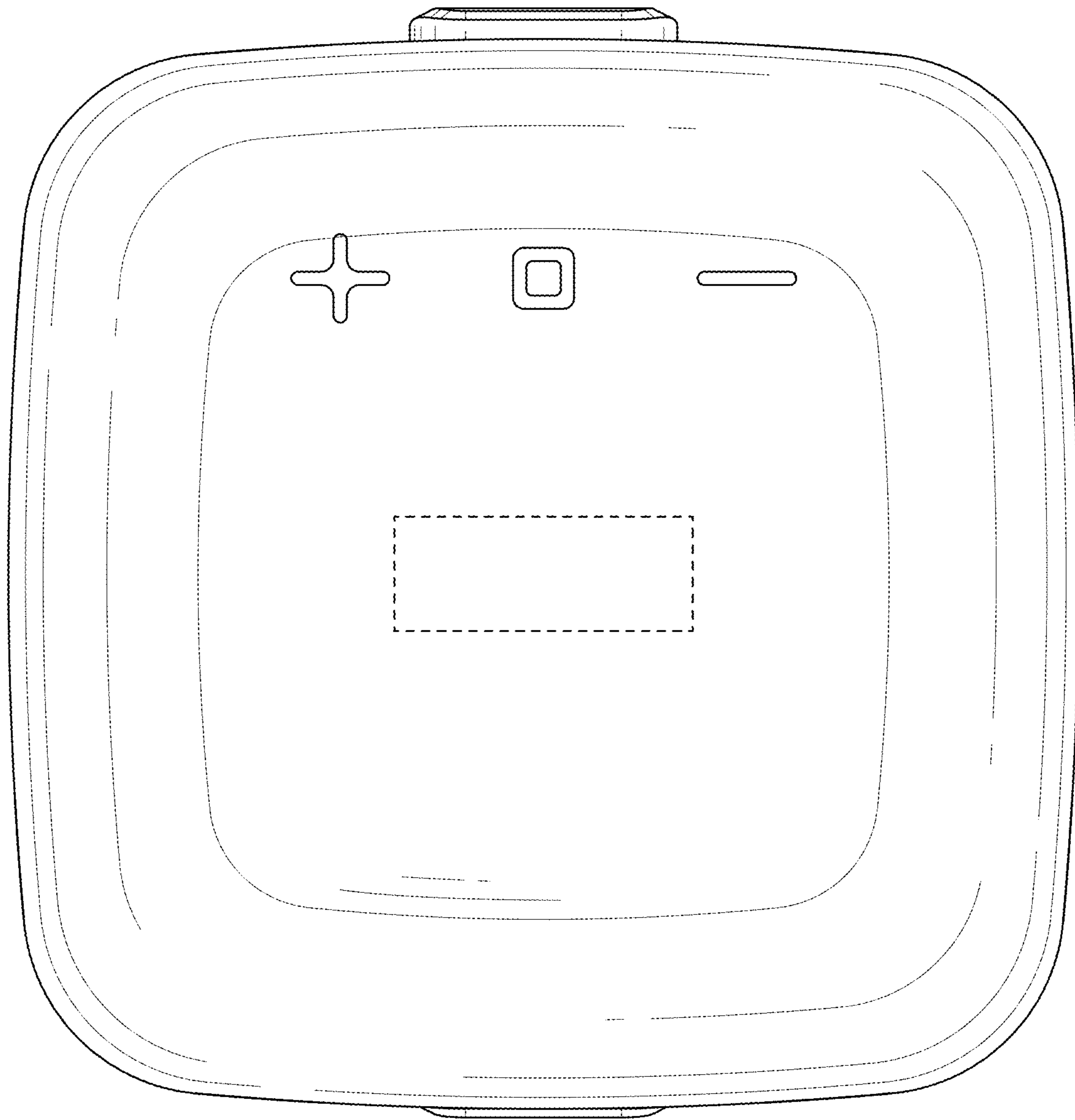


FIG. 7

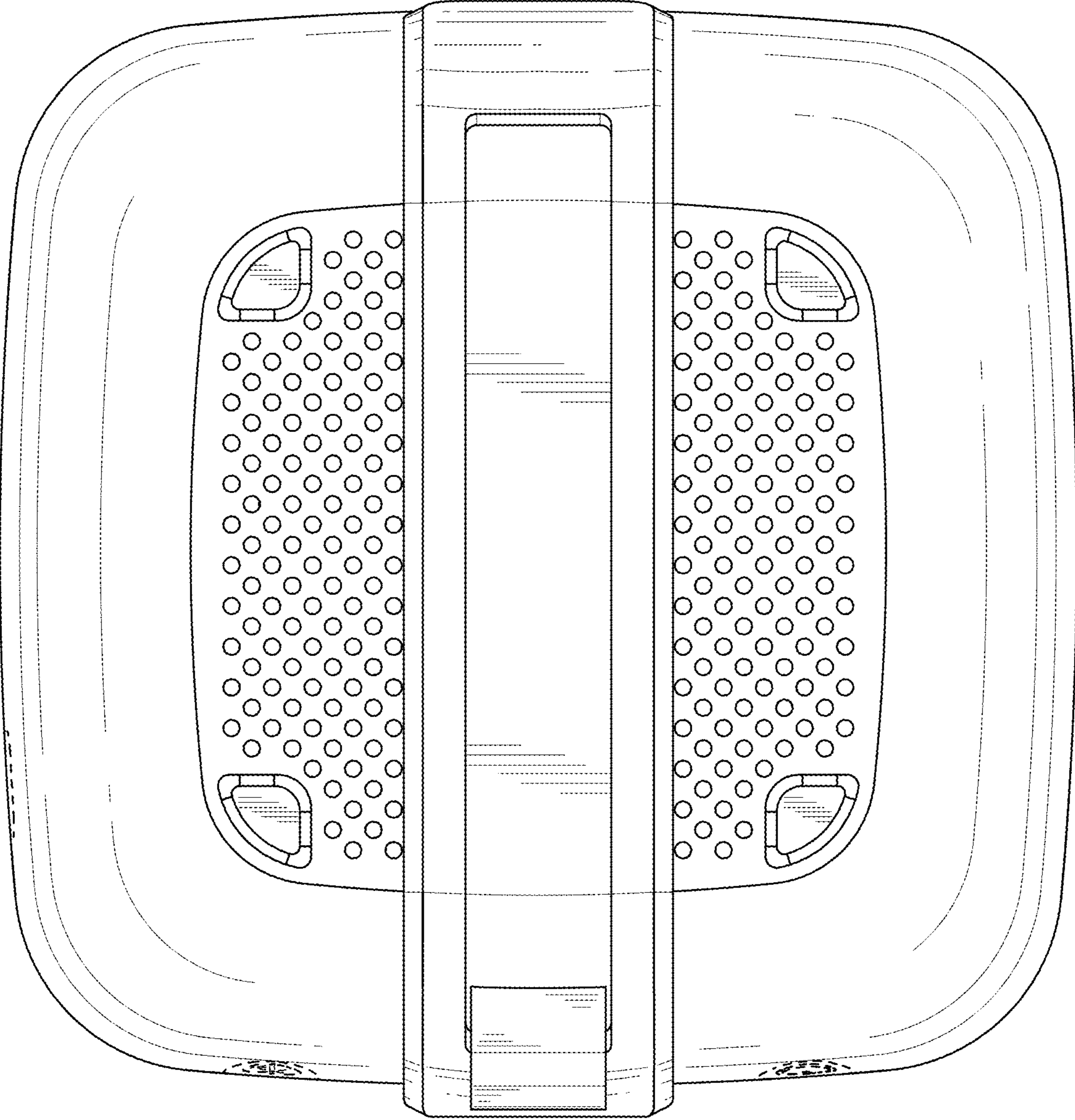


FIG. 8