



US00D926725S

(12) **United States Design Patent** (10) **Patent No.:** **US D926,725 S**
Akana et al. (45) **Date of Patent:** **** *Aug. 3, 2021**

(54) **HEADPHONES**

(71) Applicant: **Apple Inc.**, Cupertino, CA (US)

(72) Inventors: **Jody Akana**, San Francisco, CA (US); **Molly Anderson**, San Francisco, CA (US); **Bartley K. Andre**, Palo Alto, CA (US); **Shota Aoyagi**, San Francisco, CA (US); **Anthony Michael Ashcroft**, San Francisco, CA (US); **Marine C. Bataille**, San Francisco, CA (US); **Jeremy Bataillou**, San Francisco, CA (US); **Abidur Rahman Chowdhury**, San Francisco, CA (US); **Clara Geneviève Marine Courtaigne**, Palo Alto, CA (US); **Markus Diebel**, San Francisco, CA (US); **Jonathan Gomez Garcia**, San Francisco, CA (US); **M. Evans Hankey**, San Francisco, CA (US); **Richard P. Howarth**, San Francisco, CA (US); **Jonathan P. Ive**, San Francisco, CA (US); **Julian Jaede**, San Francisco, CA (US); **Duncan Robert Kerr**, San Francisco, CA (US); **Peter Russell-Clarke**, San Francisco, CA (US); **Benjamin Andrew Shaffer**, San Jose, CA (US); **Sung-Ho Tan**, San Francisco, CA (US); **Clement Tissandier**, San Francisco, CA (US); **Eugene Antony Whang**, San Francisco, CA (US)

(73) Assignee: **Apple Inc.**, Cupertino, CA (US)

(*) Notice: This patent is subject to a terminal disclaimer.

(**) Term: **15 Years**

(21) Appl. No.: **29/731,847**

(22) Filed: **Apr. 17, 2020**

(51) **LOC (13) Cl.** **14-01**

(52) **U.S. Cl.**
USPC **D14/205**

(58) **Field of Classification Search**
USPC D14/205, 188, 192; D29/112; 2/209; D28/41; 132/375; 381/380, 381, 374, 381/378, 72; 455/90.3, 575.1, 569.1
(Continued)

(56) **References Cited**

U.S. PATENT DOCUMENTS

1,329,658 A * 2/1920 Kyle et al. H04R 1/1066
381/379
3,952,158 A * 4/1976 Kyle H04R 3/04
381/72

(Continued)

FOREIGN PATENT DOCUMENTS

EM 008028526-0002 * 7/2020
JP D1479255 * 8/2013

(Continued)

Primary Examiner — Paula Allen Greene

(74) *Attorney, Agent, or Firm* — Sterne, Kessler, Goldstein & Fox P.L.L.C.

(57) **CLAIM**

The ornamental design for headphones, as shown and described.

DESCRIPTION

U.S. Design application Ser. No. 29/731,849 (“Headphones,” Inventors Akana et al., filed Apr. 17, 2020, is incorporated herein in its entirety by reference thereto.

FIG. 1 is a top front perspective view of headphones showing the claimed design;

FIG. 2 is a bottom rear perspective view thereof;

FIG. 3 is a front view thereof;

FIG. 4 is a rear view thereof;

FIG. 5 is a left side view thereof;

FIG. 6 is a right side view thereof;

(Continued)

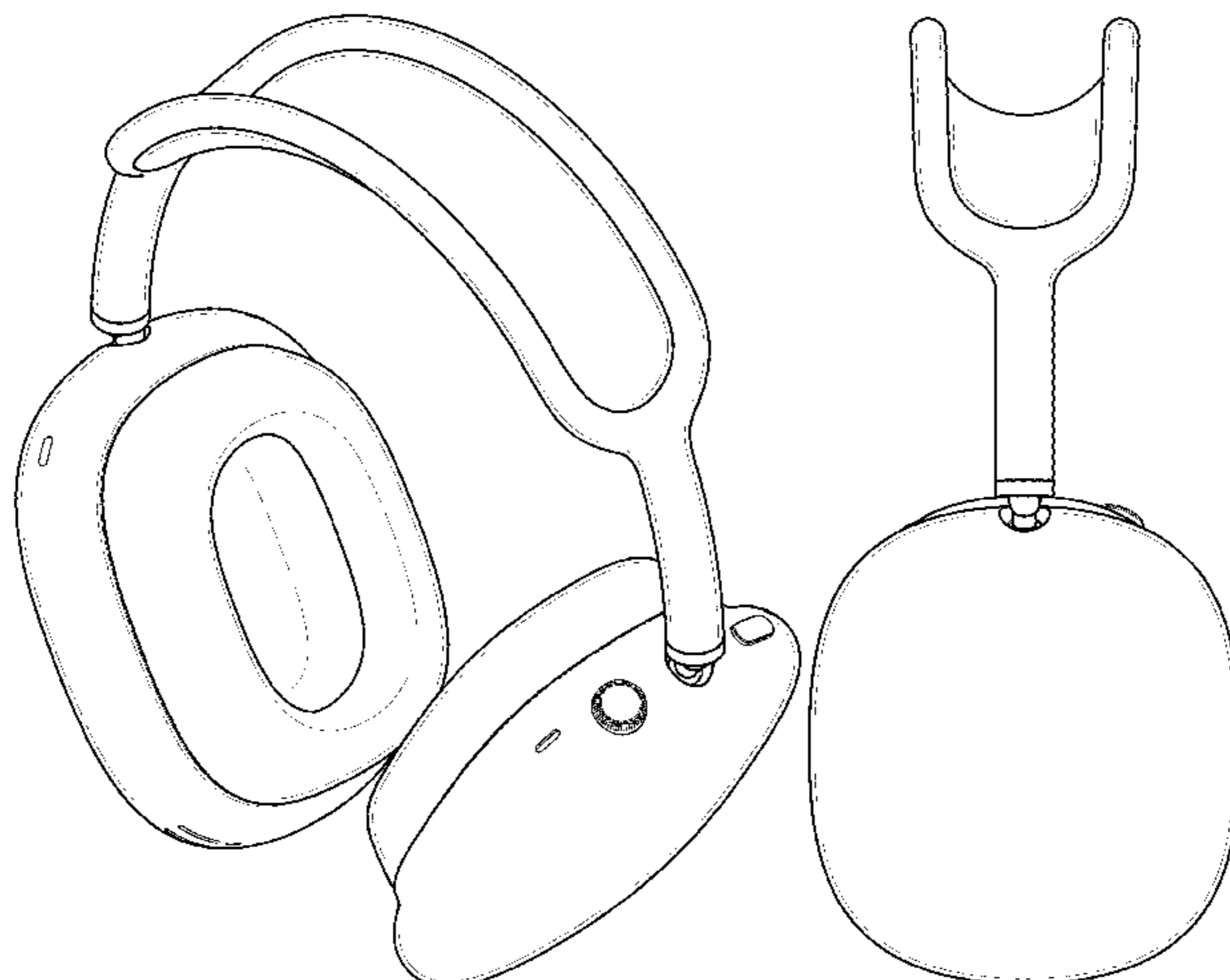


FIG. 7 is a top view thereof; and,
FIG. 8 is a bottom view thereof.

1 Claim, 7 Drawing Sheets

(58) **Field of Classification Search**

CPC H04R 25/00; H04R 25/02; H04R 1/1066;
H04R 1/1016; H04R 5/003; H04R
5/0335; H04R 1/105; H04R 1/1091

See application file for complete search history.

(56) **References Cited**

U.S. PATENT DOCUMENTS

4,037,064 A * 7/1977 Yasuda H04R 1/08
381/26
D254,183 S * 2/1980 Doodson D14/205
D254,616 S * 4/1980 Tabata
D262,019 S * 11/1981 Upshaw D14/205
D272,904 S * 3/1984 Kawano D14/205
D348,466 S * 7/1994 Yamatogi D14/205
D352,036 S * 11/1994 Sekita D14/192
D353,818 S * 12/1994 Nakamura
5,406,037 A * 4/1995 Nageno H04R 5/0335
181/129
D358,391 S * 5/1995 Isono D14/205
D373,360 S * 9/1996 Kanno
D375,312 S * 11/1996 Kanno
D376,598 S * 12/1996 Hayashi D14/205
D423,012 S * 4/2000 Yasutomi D14/205
D443,872 S * 6/2001 Mori
D452,492 S * 12/2001 Mori
D457,512 S * 5/2002 Yoneda H04R 5/0335
D14/205
D459,337 S * 6/2002 Mori
D467,580 S * 12/2002 Mori
6,611,963 B2 * 9/2003 Woo A61F 11/14
2/209
D484,485 S * 12/2003 Matsuoka D14/205
6,724,906 B2 * 4/2004 Naksen H04R 1/1066
381/370
D502,695 S * 3/2005 Suzuki
D508,483 S * 8/2005 Suzuki
D510,335 S * 10/2005 Suzuki D14/205
D517,045 S * 3/2006 Komiyama
D517,527 S * 3/2006 Suzuki
D519,110 S * 4/2006 Komiyama
D519,497 S * 4/2006 Komiyama
D520,492 S * 5/2006 Chen
D542,774 S * 5/2007 Rausch D14/206
D549,688 S * 8/2007 Suzuki D14/205
D552,077 S * 10/2007 Brunner et al.
D567,215 S * 4/2008 Lee
D567,220 S * 4/2008 Wang D14/206
7,457,649 B1 * 11/2008 Wilson H04R 1/1025
379/428.02

D588,098 S * 3/2009 Kurihara D14/205
D601,124 S * 9/2009 Uchimura et al.
D613,266 S * 4/2010 Barry D14/205
D616,865 S * 6/2010 Marchand D14/205
D632,668 S * 2/2011 Brunner et al.
D633,896 S * 3/2011 Kondo D14/205
D637,176 S * 5/2011 Brunner et al.
D657,344 S * 4/2012 Brunner et al.
D657,345 S * 4/2012 Brunner et al.
D661,685 S * 6/2012 Lee D14/205
D674,767 S * 1/2013 Brunner et al.
D691,582 S * 10/2013 Nguyen H04R 1/1008
D14/205
D716,760 S * 11/2014 Brunner et al.
D736,175 S * 8/2015 Levine D14/205
D775,605 S * 1/2017 Lee
D778,258 S * 2/2017 Hsu et al.
D780,156 S * 2/2017 Petersen
D791,734 S * 7/2017 Ou
D796,474 S * 9/2017 Treski et al.
D811,362 S * 2/2018 Petersen D14/205
D814,439 S * 4/2018 Birath et al.
D826,210 S * 8/2018 Chong
D830,993 S * 10/2018 Petersen D14/205
D843,345 S * 3/2019 Brunner et al.
D848,973 S * 5/2019 Karacal
D851,062 S * 6/2019 Saule et al.
D851,622 S * 6/2019 Billaudet et al.
10,362,380 B2 * 7/2019 Ito et al.
D857,655 S * 8/2019 Saule et al.
D858,481 S * 9/2019 Saule D14/205
D860,163 S * 9/2019 Xia D14/205
D867,327 S * 11/2019 Brunner et al.
D868,731 S * 12/2019 Jung D14/205
D871,368 S * 12/2019 Saule et al.
D872,049 S * 1/2020 Saule et al.
D873,237 S * 1/2020 Ozawa et al.
D876,388 S * 2/2020 Carr D14/205
D878,329 S * 3/2020 Levine et al.
D881,840 S * 4/2020 Chen
D889,432 S * 7/2020 Brunner et al.
D890,123 S * 7/2020 Yoshimura D14/205
10,721,550 B2 * 7/2020 Bunney et al.
D900,783 S * 11/2020 Levine D14/205
2003/0210801 A1 * 11/2003 Naksen H04R 1/1066
381/370
2006/0104471 A1 * 5/2006 Tsunoda H04R 1/2803
381/374
2012/0125360 A1 * 5/2012 Hill A45D 8/36
132/275
2016/0277828 A1 * 9/2016 Oh H04R 1/105
2017/0019728 A1 * 1/2017 Cochran H04R 1/1091
2018/0270556 A1 * 9/2018 Kelley H04R 1/1008
2020/0053448 A1 * 2/2020 Heaston H04R 1/1008

FOREIGN PATENT DOCUMENTS

JP D1557743 S 9/2016
KR 30-0687072 3/2013

* cited by examiner

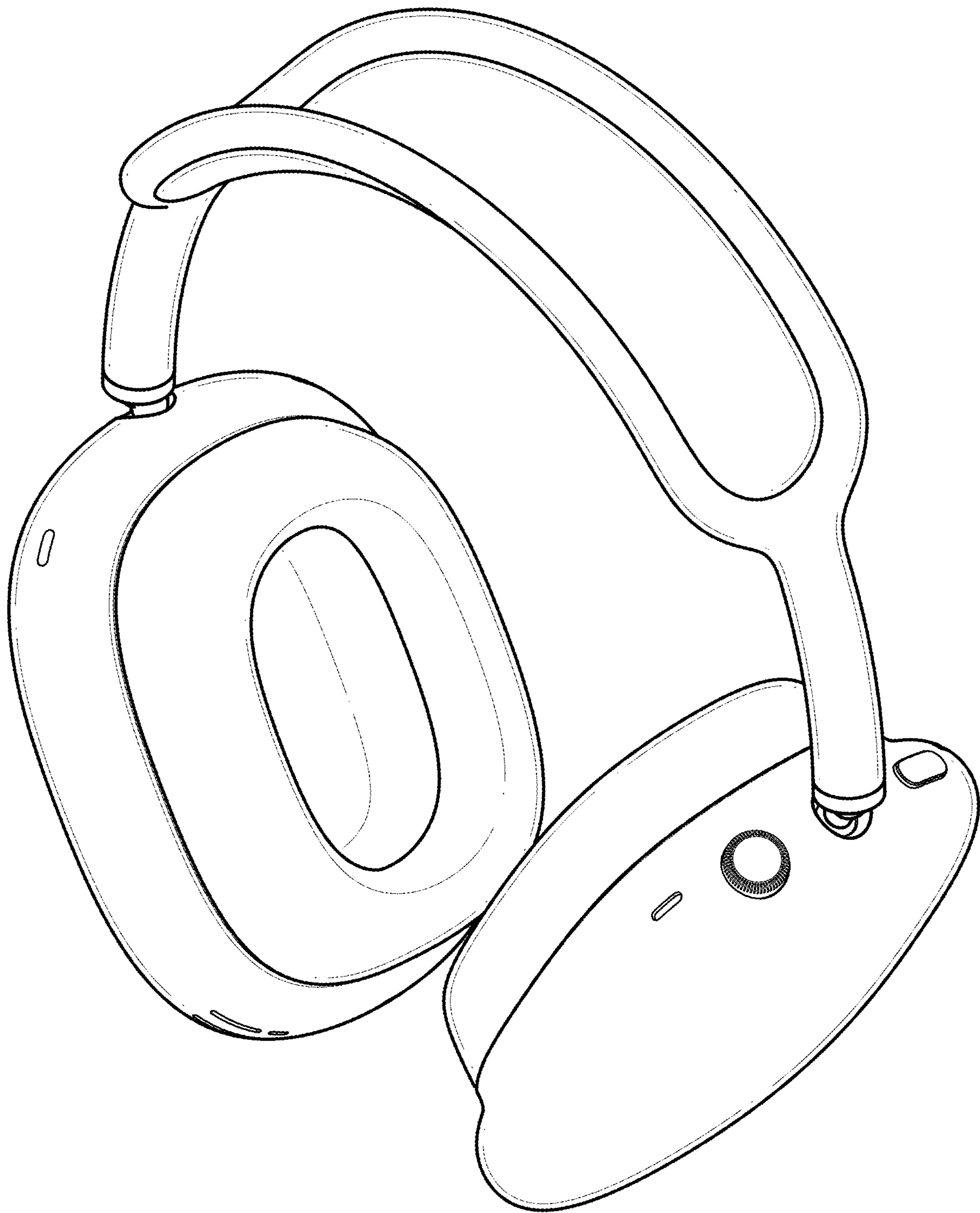


FIG. 1

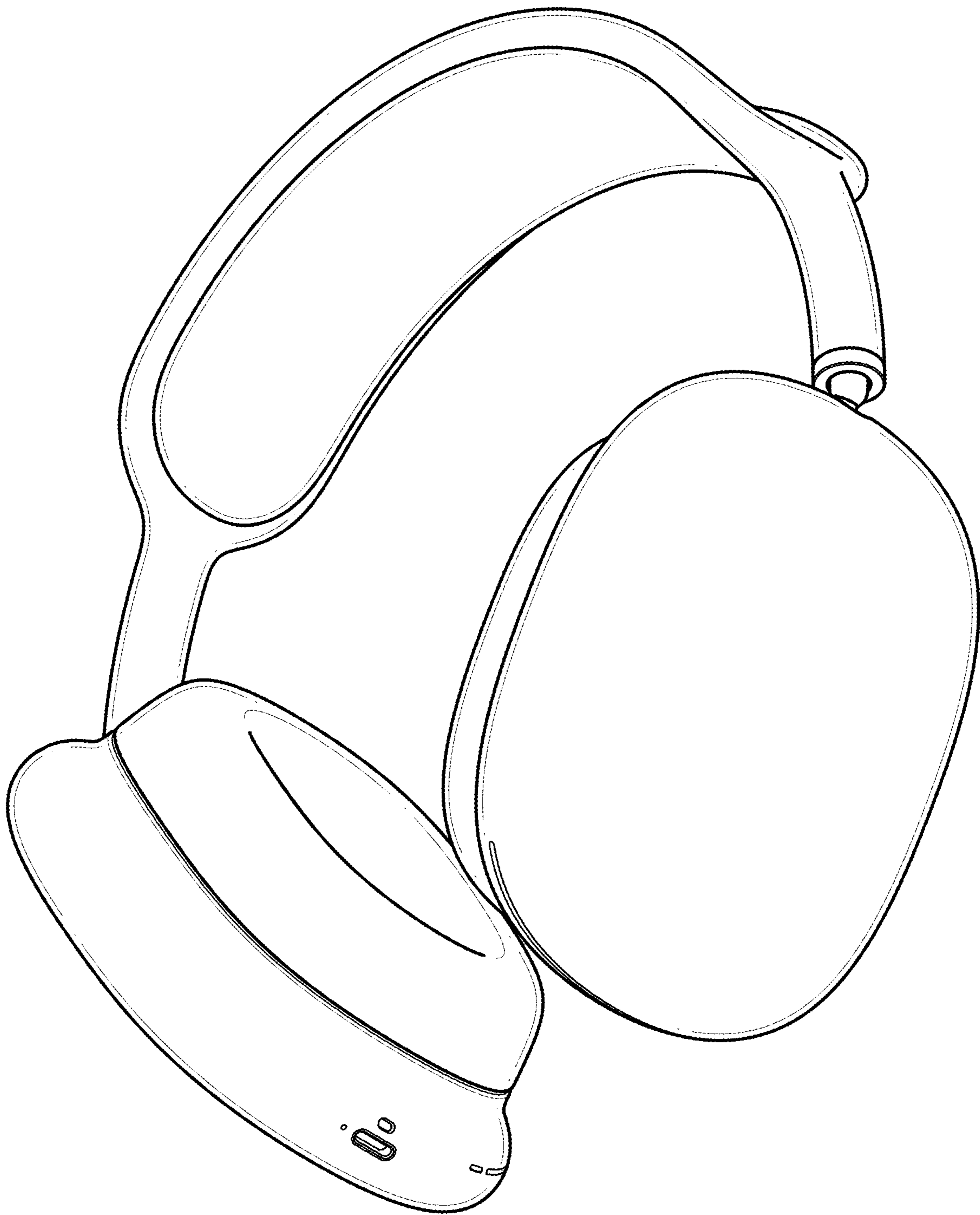


FIG. 2

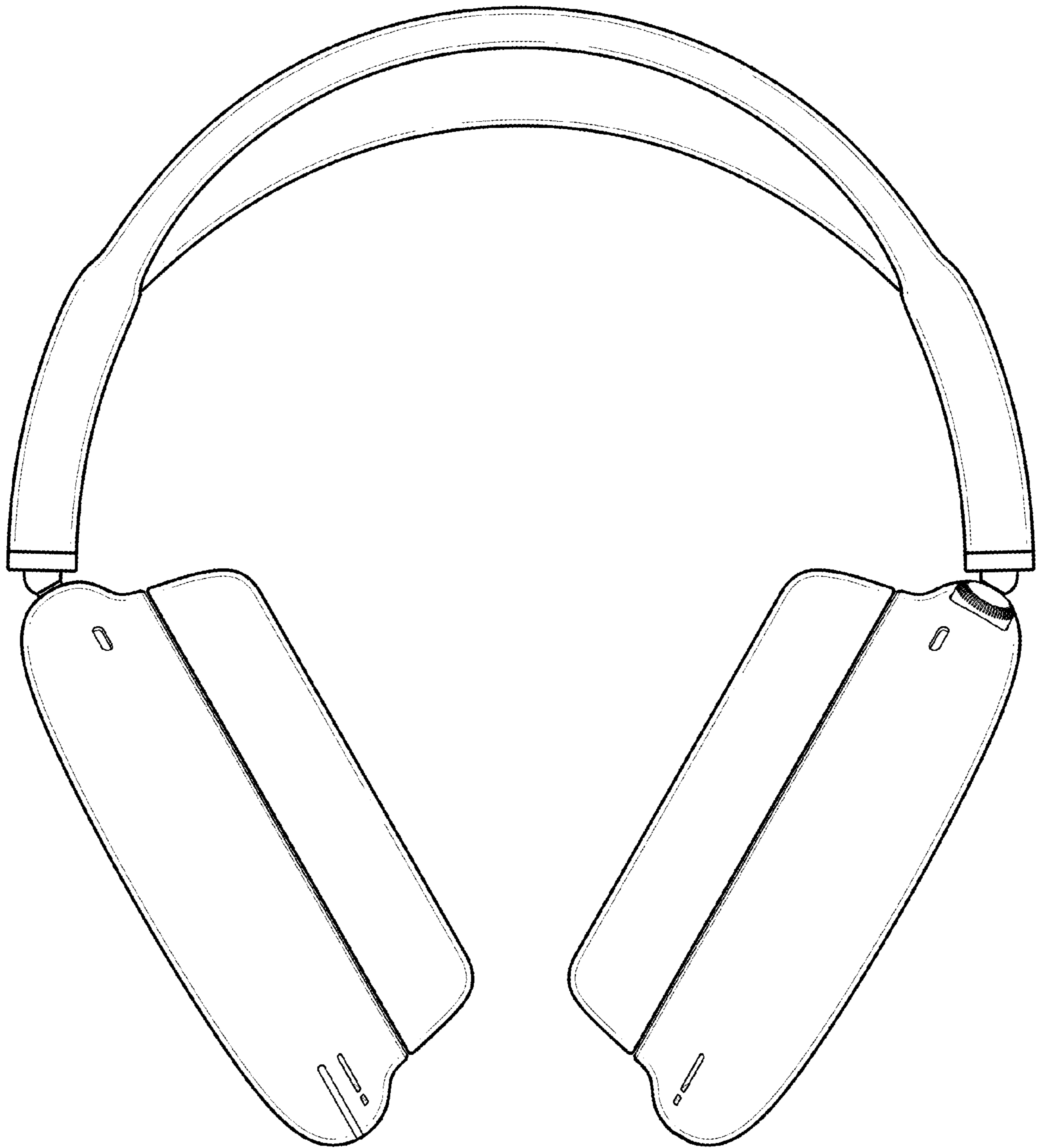


FIG. 3

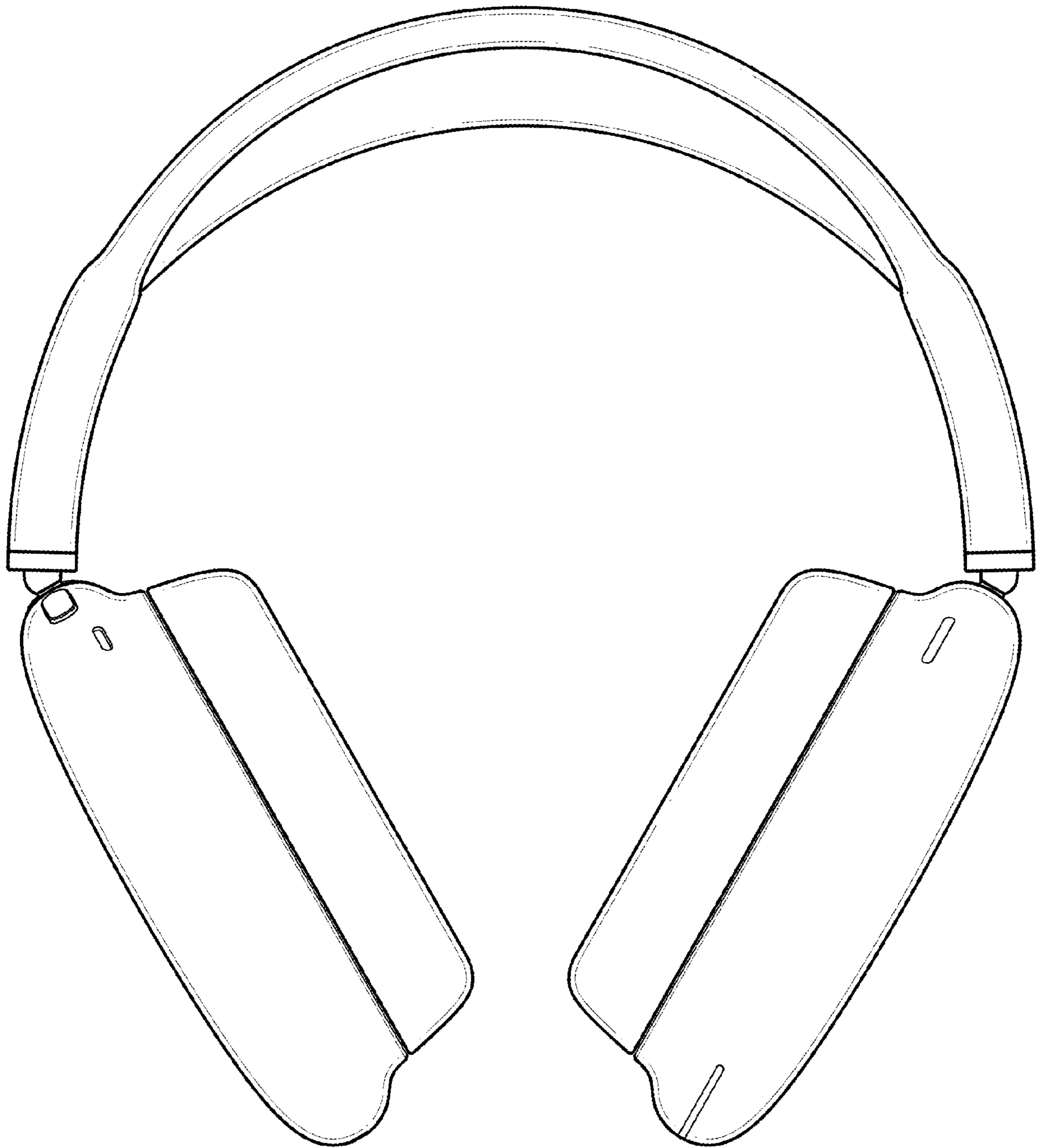


FIG. 4

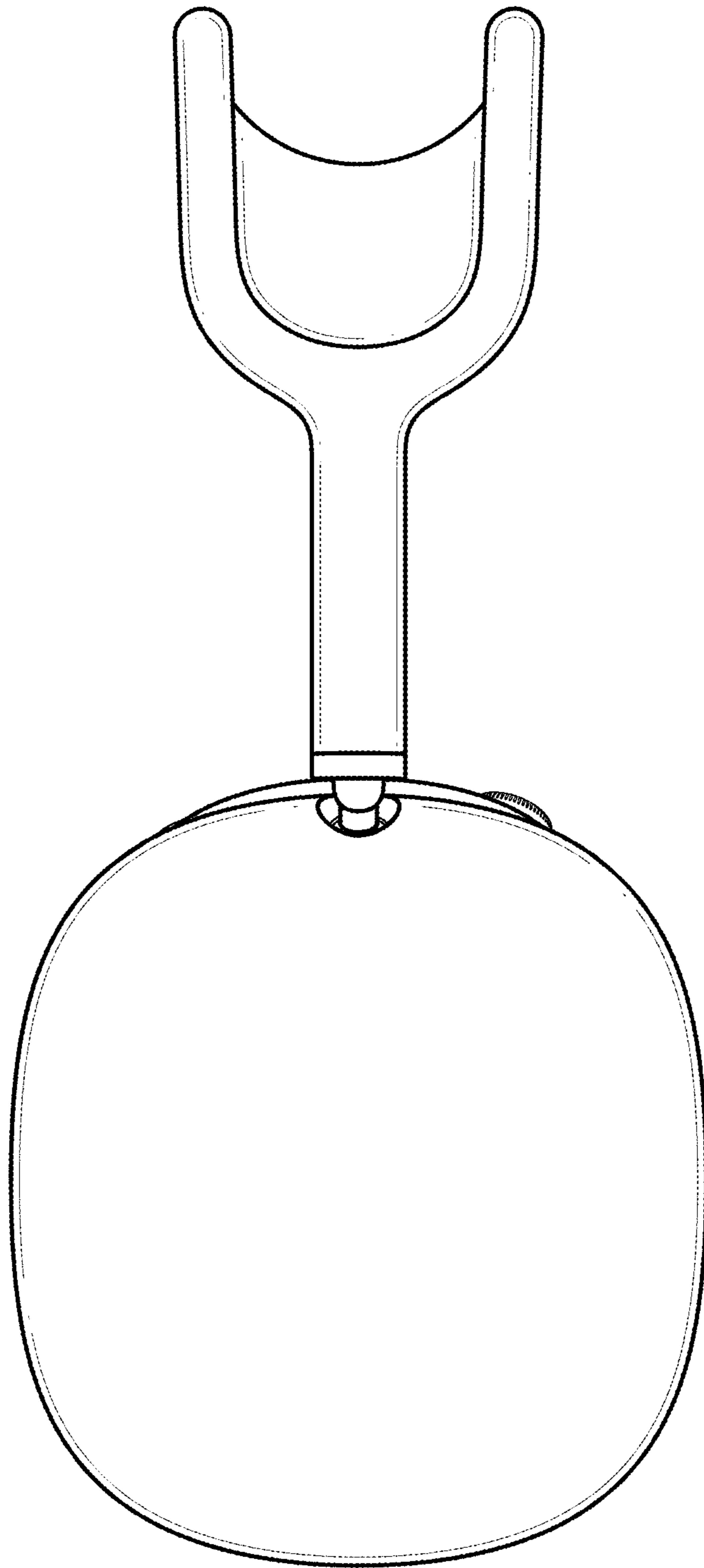


FIG. 5

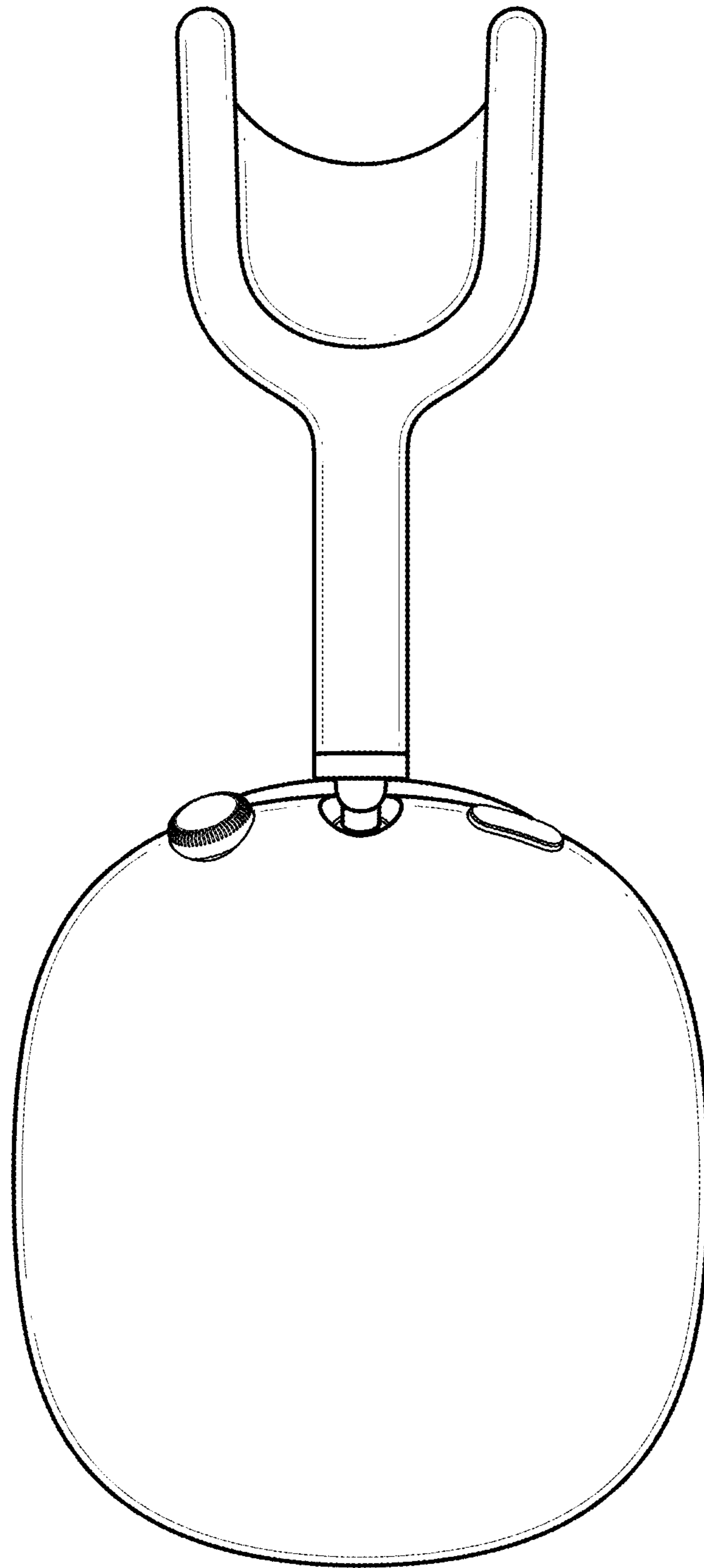


FIG. 6

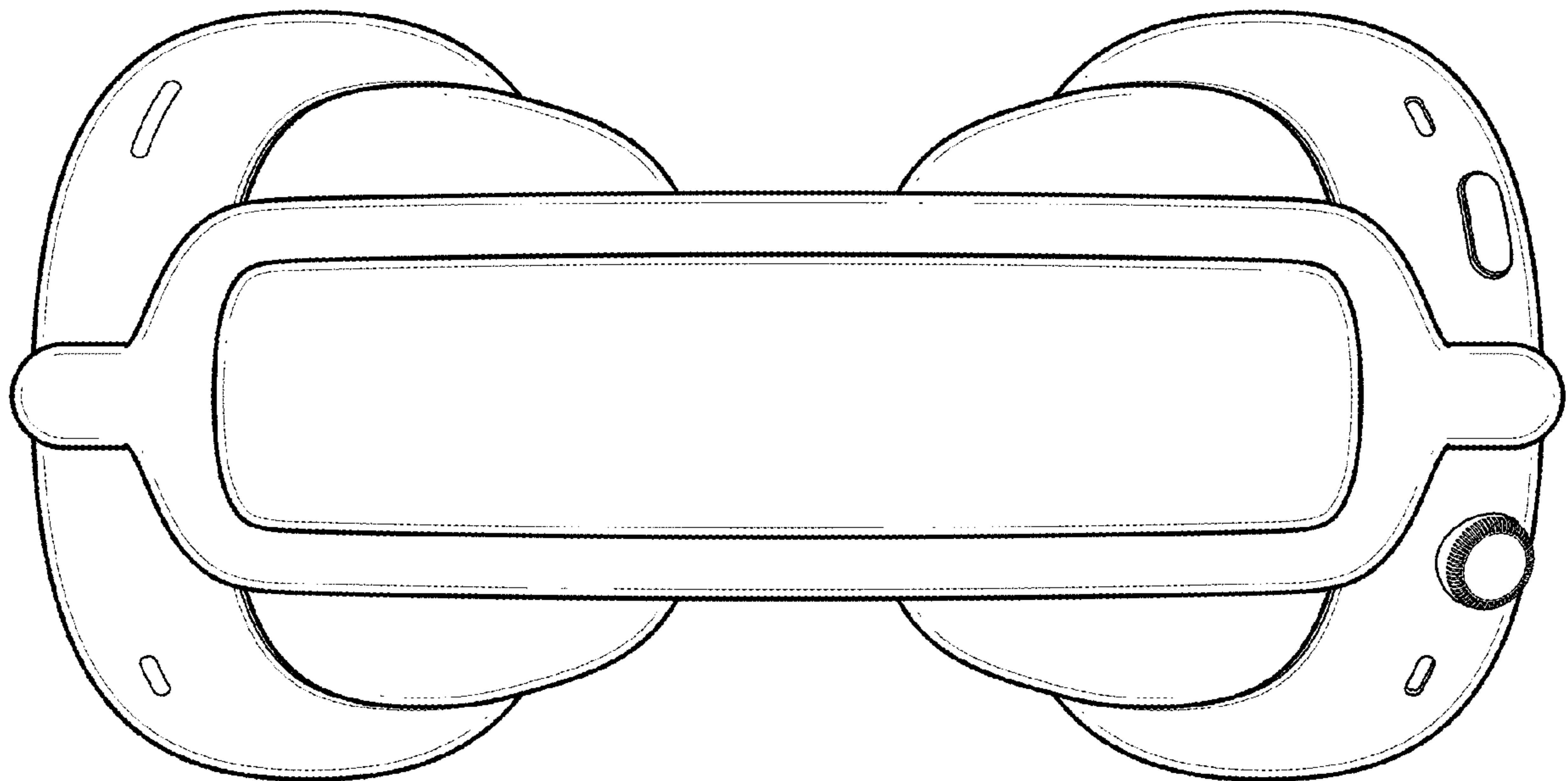


FIG. 7

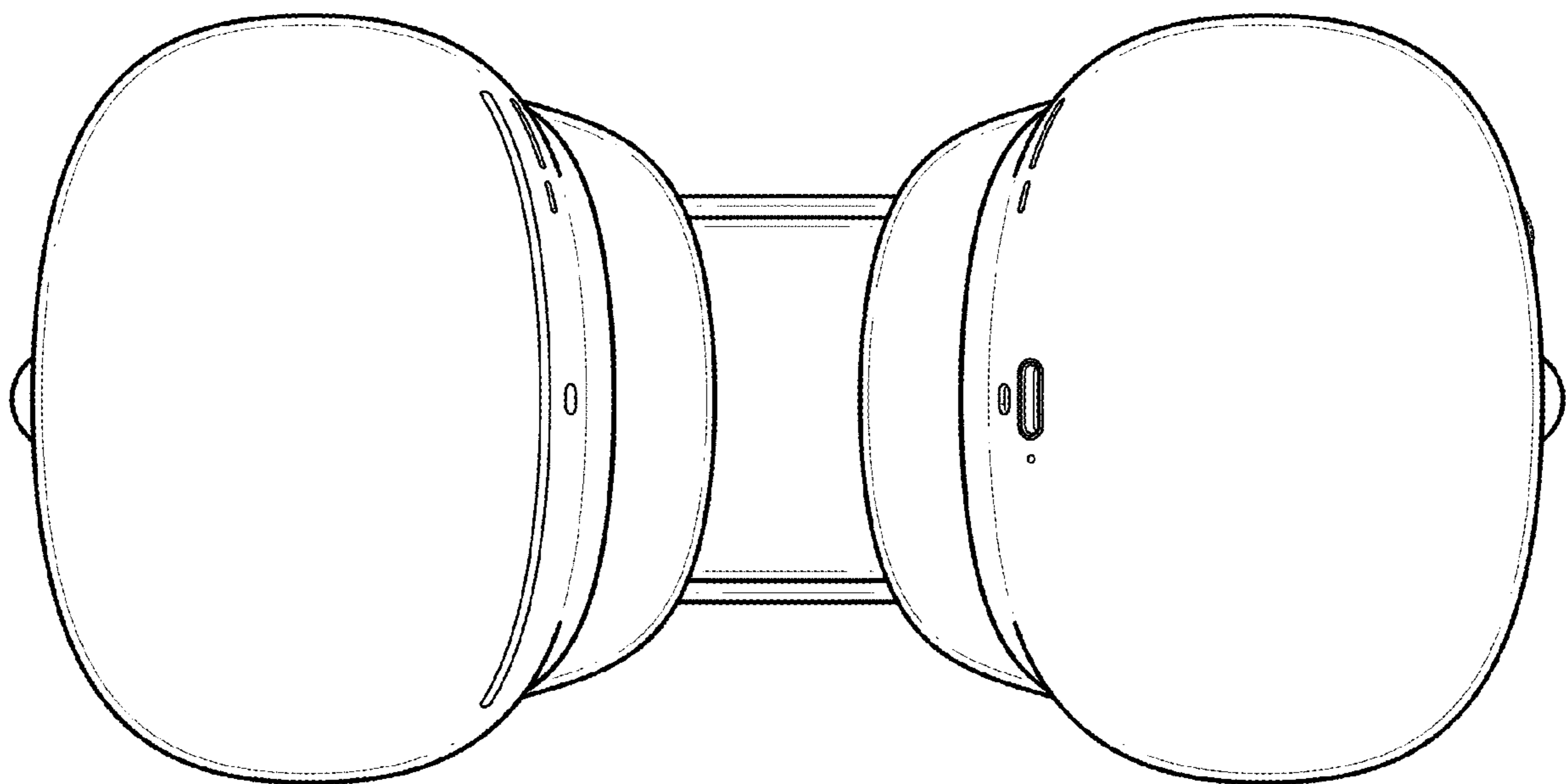


FIG. 8