



US00D926724S

(12) **United States Design Patent** (10) **Patent No.:** **US D926,724 S**
D'Ambrosio (45) **Date of Patent:** **** Aug. 3, 2021**

(54) **COMMUNICATIONS HEADSET**
(71) Applicant: **Plantronics, Inc.**, 95060, CA (US)
(72) Inventor: **Jeremy Jacob D'Ambrosio**, Soquel, CA (US)
(73) Assignee: **Plantronics, Inc.**, Santa Cruz, CA (US)
(**) Term: **15 Years**
(21) Appl. No.: **29/710,030**
(22) Filed: **Oct. 18, 2019**
(51) **LOC (13) Cl.** **14-01**
(52) **U.S. Cl.**
USPC **D14/205**; D14/206
(58) **Field of Classification Search**
USPC D14/206, 205, 188, 192; D29/112;
2/209; 181/129, 130, 135; 381/380, 381;
455/90.3, 575.1, 569.1
CPC H04R 1/10; H04R 25/00; H04R 1/1016;
H04R 5/033; H04R 5/0335; H04R 1/1066
See application file for complete search history.

D494,154 S * 8/2004 Polito D14/206
D494,957 S * 8/2004 Rath D14/206
D498,470 S * 11/2004 Skulley D14/206

(Continued)

Primary Examiner — Paula Allen Greene
(74) *Attorney, Agent, or Firm* — Ferguson Braswell
Fraser Kubasta PC

(57) **CLAIM**

The ornamental design for a communications headset, as shown and described.

DESCRIPTION

FIG. 1 is a top perspective view of a communications headset showing my new design;
FIG. 2 is a bottom perspective view thereof;
FIG. 3 is a first orthogonal view thereof;
FIG. 4 is a second orthogonal view thereof;
FIG. 5 is a third side orthogonal view thereof;
FIG. 6 is a fourth side orthogonal view thereof;
FIG. 7 is a top down orthogonal view thereof;
FIG. 8 is a bottom up orthogonal view thereof;
FIG. 9 is a top perspective view of a second embodiment of a communications headset showing my new design;
FIG. 10 is a bottom perspective view thereof;
FIG. 11 is a first orthogonal view thereof;
FIG. 12 is a second orthogonal view thereof;
FIG. 13 is a third side orthogonal view thereof;
FIG. 14 is a fourth side orthogonal view thereof;
FIG. 15 is a top down orthogonal view thereof; and,
FIG. 16 is a bottom up orthogonal view thereof.

The broken lines showing the ear cushions, wires, microphone and microphone boom, headband, third side of communications headset in the monaural version, and fourth side in the binaural version are for the purpose of illustrating portions of the article and form no part of the claimed design.

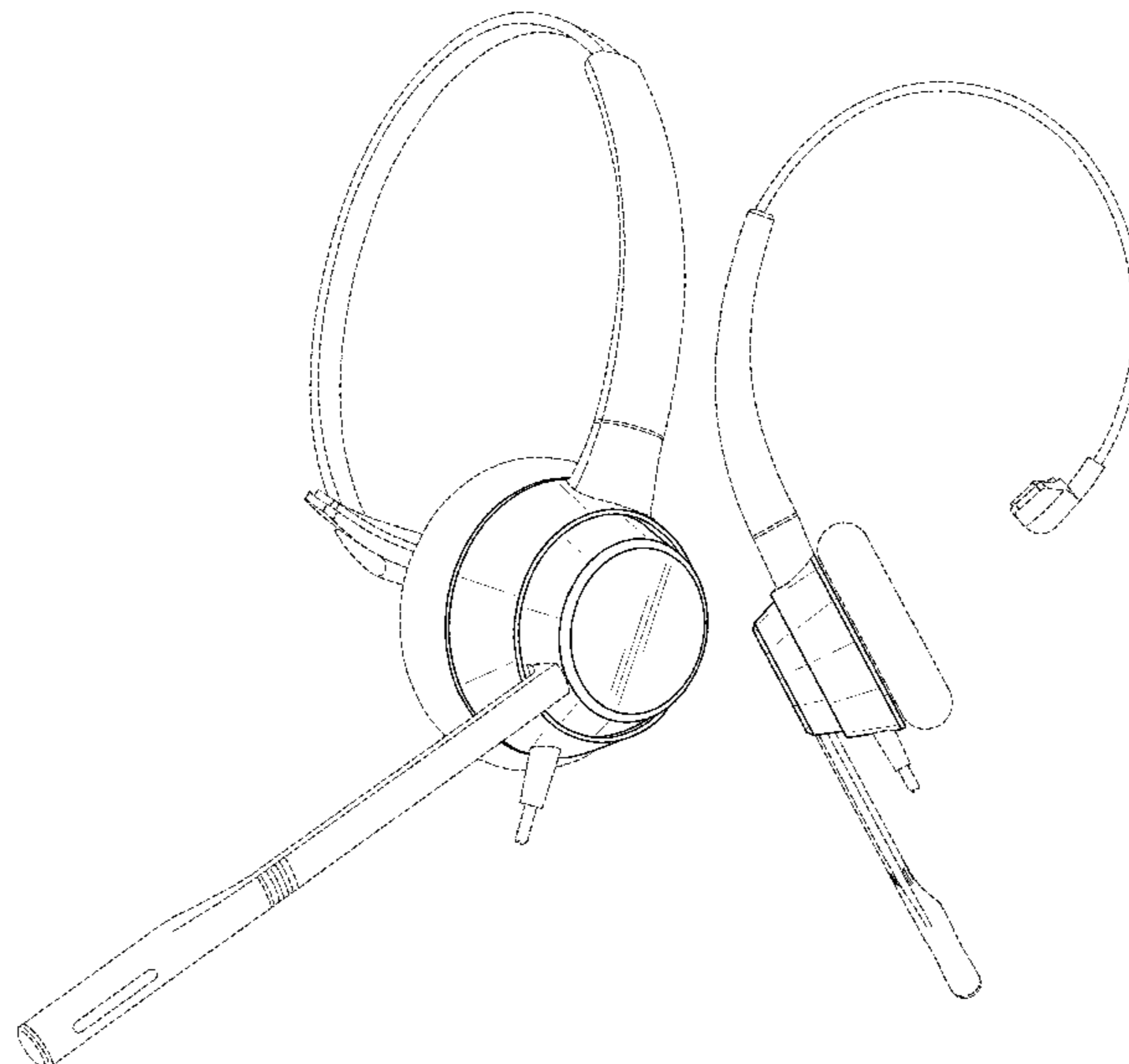
The thin, black lines show contour of the surfaces of the communications headset, and are not shading or actual lines on the communication headset.

1 Claim, 16 Drawing Sheets

(56) **References Cited**

U.S. PATENT DOCUMENTS

3,053,944 A * 9/1962 Weeks H04R 1/1066
381/377
D233,444 S * 10/1974 Christian D14/206
4,420,657 A * 12/1983 Larkin H04M 1/05
181/129
4,437,538 A * 3/1984 Ohlsson A61F 11/14
128/867
4,875,233 A * 10/1989 Derhaag H04M 1/05
379/430
D328,461 S * 8/1992 Daido D14/205
5,406,037 A * 4/1995 Nageno H04R 5/0335
181/129
5,446,788 A * 8/1995 Lucey H04M 1/05
379/430



(56)

References Cited

U.S. PATENT DOCUMENTS

D504,414 S * 4/2005 Yoshida D14/192
 D505,413 S * 5/2005 Skulley D14/223
 D514,086 S * 1/2006 Skulley D14/206
 D517,528 S * 3/2006 Skulley D14/206
 D518,479 S * 4/2006 Skulley D14/225
 D530,702 S * 10/2006 Pritchard D14/206
 D531,165 S * 10/2006 Rath D14/206
 D533,166 S * 12/2006 Marquez D14/225
 D538,785 S * 3/2007 Skulley D14/206
 D539,788 S * 4/2007 Thompson D14/225
 D539,789 S * 4/2007 Rausch D14/225
 D540,303 S * 4/2007 Rausch D14/205
 D540,778 S * 4/2007 Thompson D14/206
 D541,256 S * 4/2007 Rausch D14/205
 D542,774 S * 5/2007 Rausch D14/206
 D549,688 S * 8/2007 Suzuki D14/205
 D563,382 S * 3/2008 Wikel D14/205
 D567,215 S * 4/2008 Lee D14/205
 D567,220 S * 4/2008 Wang D14/206
 D582,890 S * 12/2008 Koza D14/205
 D587,684 S * 3/2009 Ham D14/205
 D588,098 S * 3/2009 Kurihara D14/205
 D592,640 S * 5/2009 Tkachuk D14/205
 D593,995 S * 6/2009 Shimizu D14/205
 D601,543 S * 10/2009 Bentley D14/206
 D602,001 S * 10/2009 Bentley D14/206
 D603,370 S * 11/2009 Suzuki D14/205
 D604,266 S * 11/2009 Milde D14/205
 D606,048 S * 12/2009 Soetejo D14/223
 D628,189 S * 11/2010 Rath D14/206
 D635,962 S * 4/2011 Kelley D14/223
 D638,000 S * 5/2011 Hoggarth D14/206
 D639,776 S * 6/2011 Arimoto D14/205
 D641,337 S * 7/2011 Brandis D14/206
 D643,405 S * 8/2011 Rath D14/206
 8,061,473 B1 * 11/2011 Kerr A61F 11/008
 181/135
 D654,471 S * 2/2012 Fischer D14/206
 D654,472 S * 2/2012 Fischer D14/206
 D666,168 S * 8/2012 Rath D14/206
 D668,240 S * 10/2012 Brandis D14/206

D673,523 S * 1/2013 Brennwald D14/206
 D673,524 S * 1/2013 Brennwald D14/206
 D684,559 S * 6/2013 Groset D14/205
 D691,110 S * 10/2013 Ham D14/205
 D692,410 S * 10/2013 Brunner H04R 1/1008
 D14/206
 D707,655 S * 6/2014 Porter H04M 1/05
 D14/206
 D709,860 S * 7/2014 Brunner H04S 1/005
 D14/205
 8,838,029 B2 * 9/2014 Goldman H04M 1/6033
 455/41.2
 D716,258 S * 10/2014 Awiszus D14/206
 D716,259 S * 10/2014 Awiszus D14/206
 D717,767 S * 11/2014 Mistry D14/206
 D719,135 S * 12/2014 Kelley D14/205
 D725,074 S * 3/2015 Boeckel D14/205
 D731,458 S * 6/2015 Goransson D14/206
 D732,002 S * 6/2015 Goransson D14/206
 D760,689 S * 7/2016 Gecawicz D14/206
 D760,690 S * 7/2016 Gecawicz D14/206
 9,706,281 B2 * 7/2017 Hernandez Vazquez
 H04R 1/08
 D806,676 S * 1/2018 Fuglsang D14/206
 D866,508 S * 11/2019 Lindof D14/206
 D866,509 S * 11/2019 Lindof D14/206
 D866,510 S * 11/2019 Lindof D14/206
 D866,511 S * 11/2019 Lindof D14/206
 D866,512 S * 11/2019 Lindof D14/206
 D866,513 S * 11/2019 Lindof D14/206
 D867,331 S * 11/2019 Lindof D14/206
 D870,069 S * 12/2019 Hu D14/206
 2001/0036291 A1 * 11/2001 Pallai H04R 1/342
 381/382
 2011/0135134 A1 * 6/2011 Essabar H04R 1/105
 381/374
 2011/0206216 A1 * 8/2011 Brunner H04R 1/1066
 381/74
 2011/0306393 A1 * 12/2011 Goldman H04M 1/6066
 455/575.2
 2012/0163616 A1 * 6/2012 Birch H04R 1/1066
 381/74

* cited by examiner

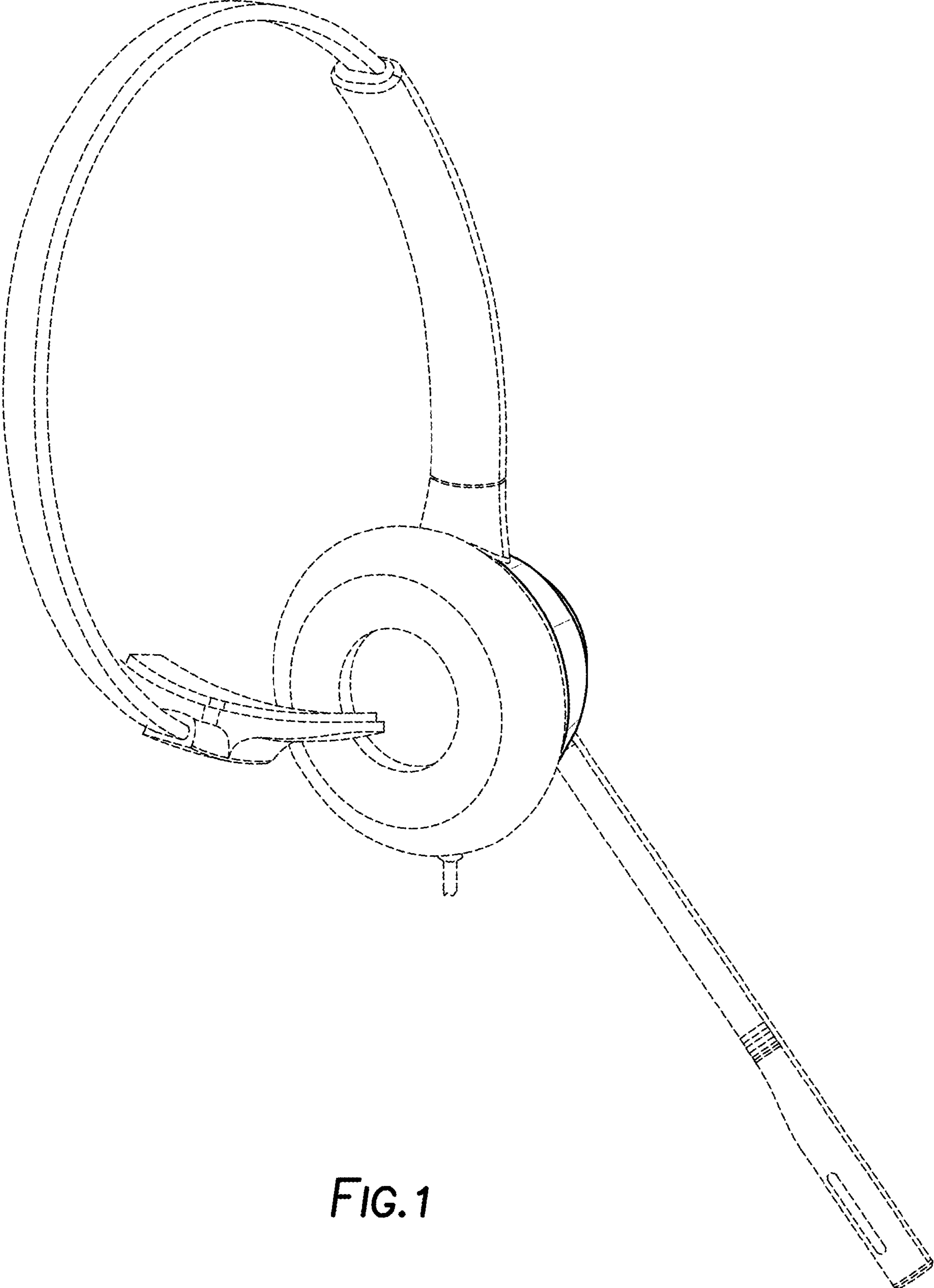


FIG. 1

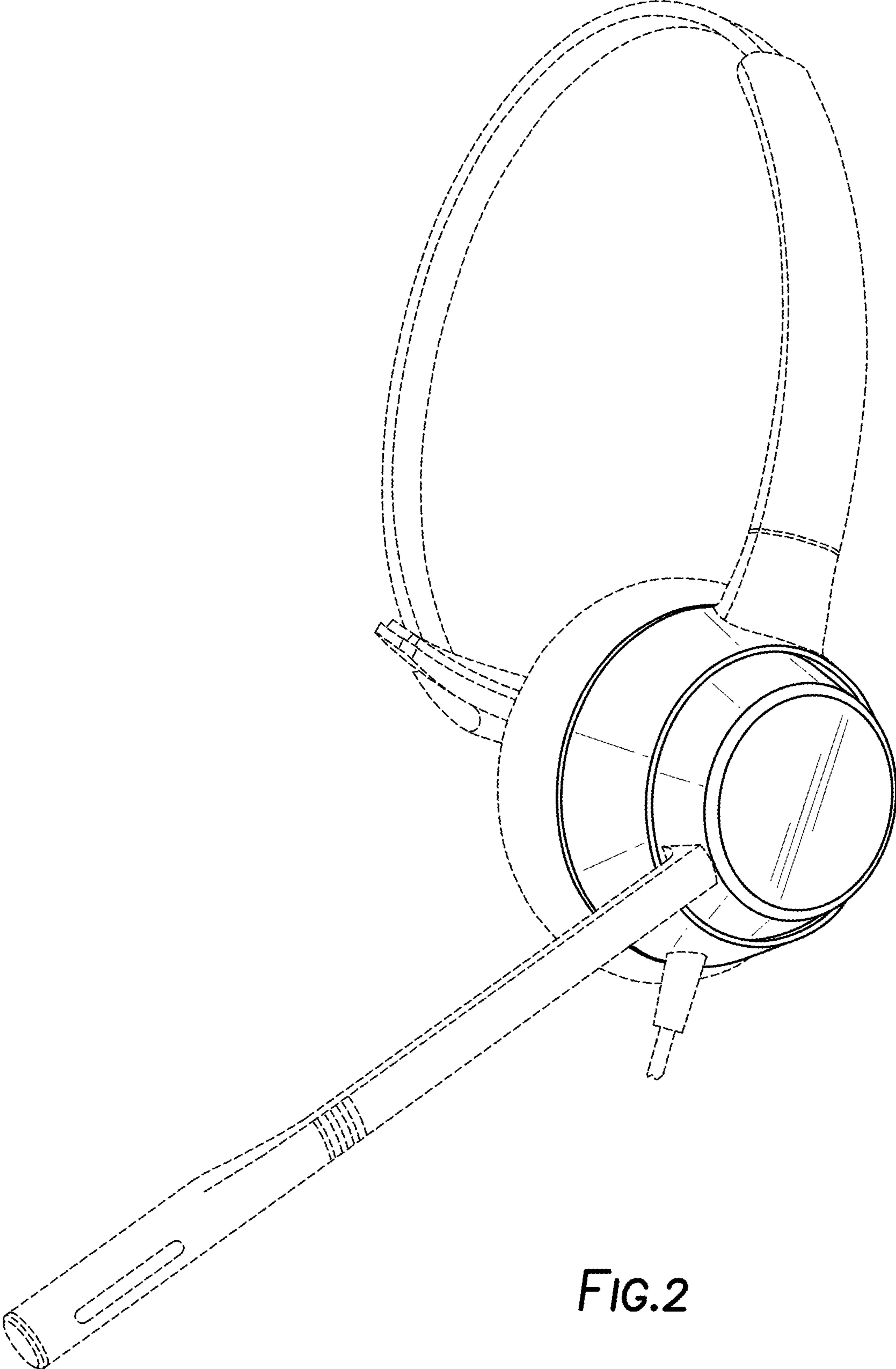


FIG.2

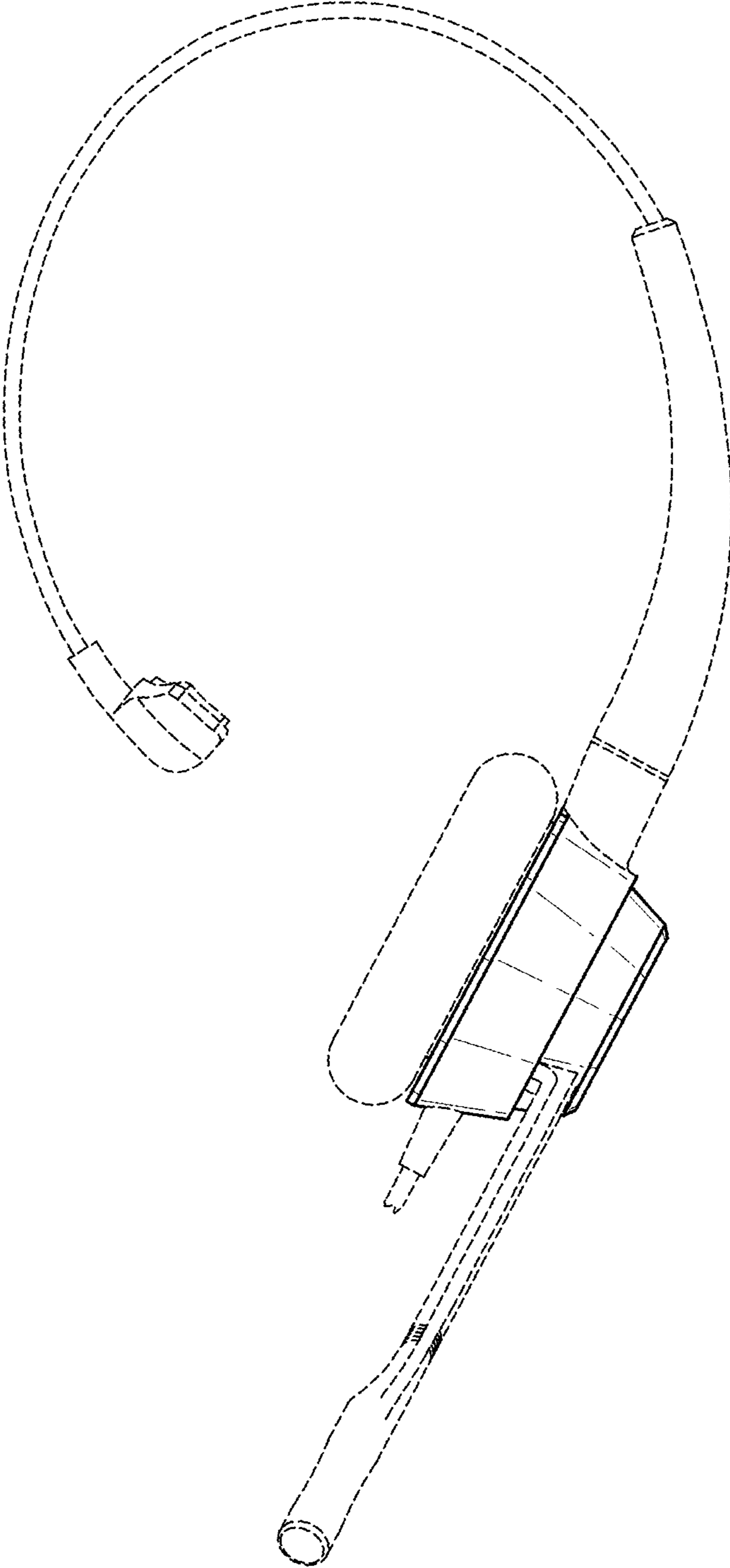


FIG.3

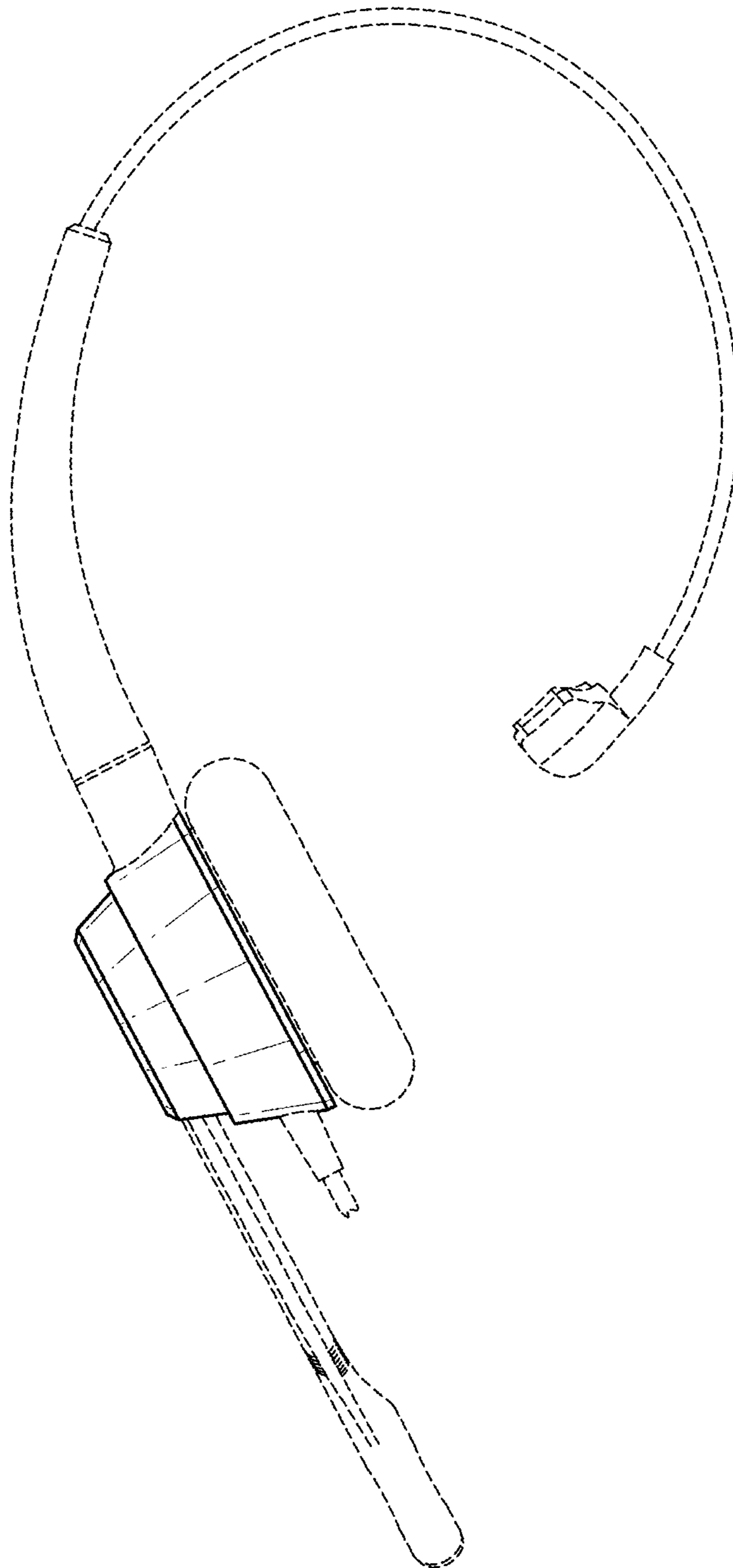


FIG. 4

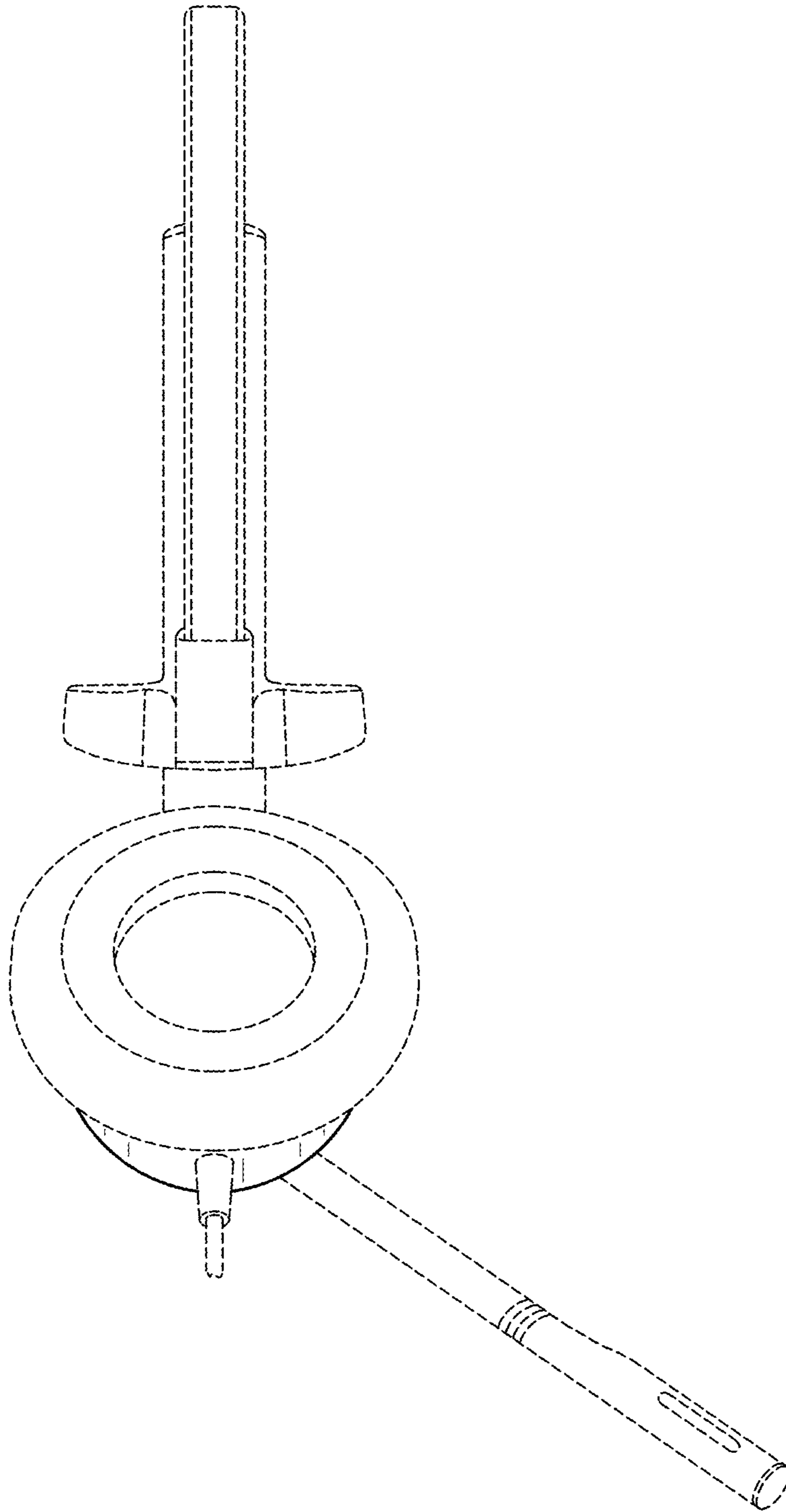


FIG.5

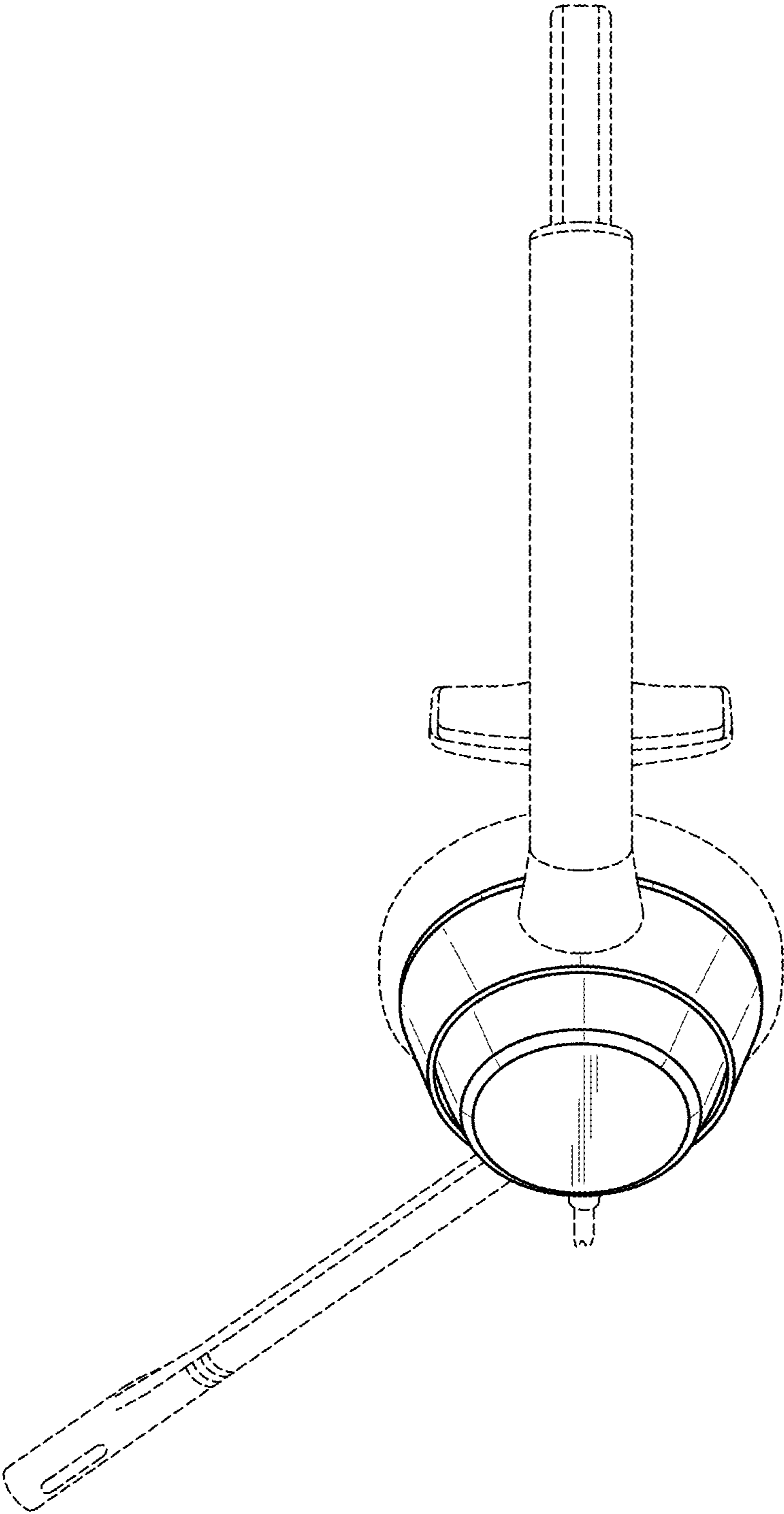


FIG. 6

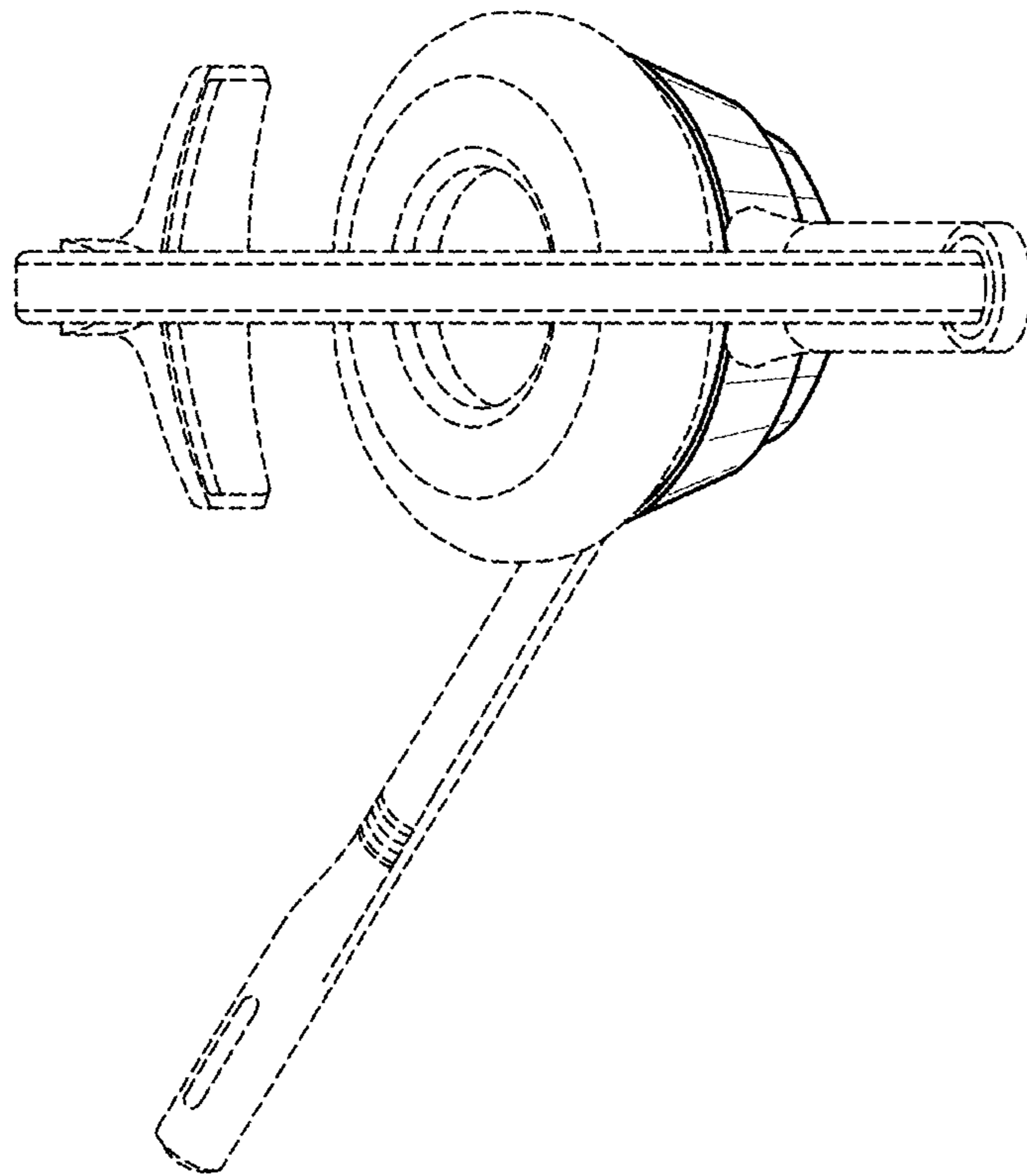


FIG. 7

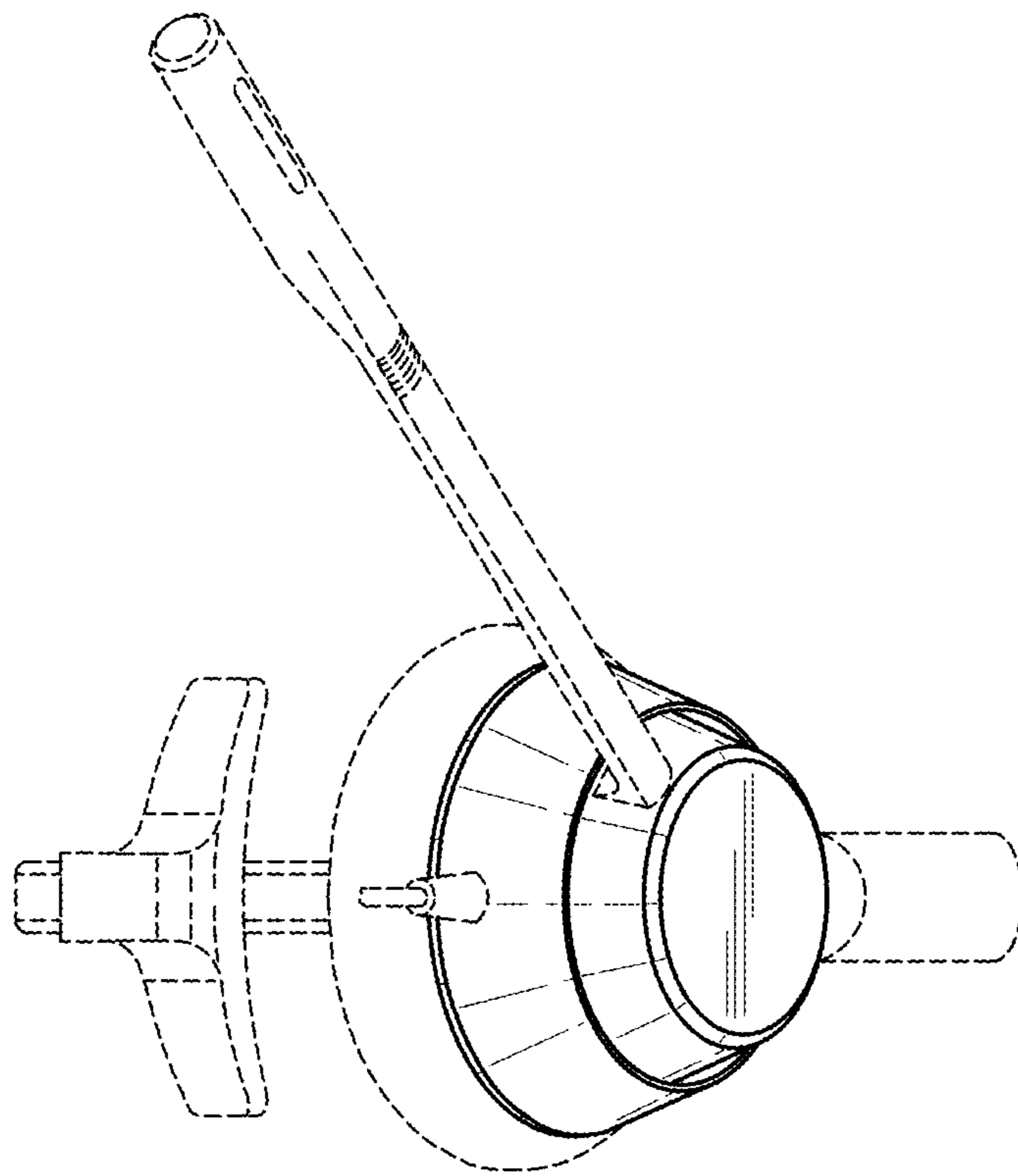


FIG. 8

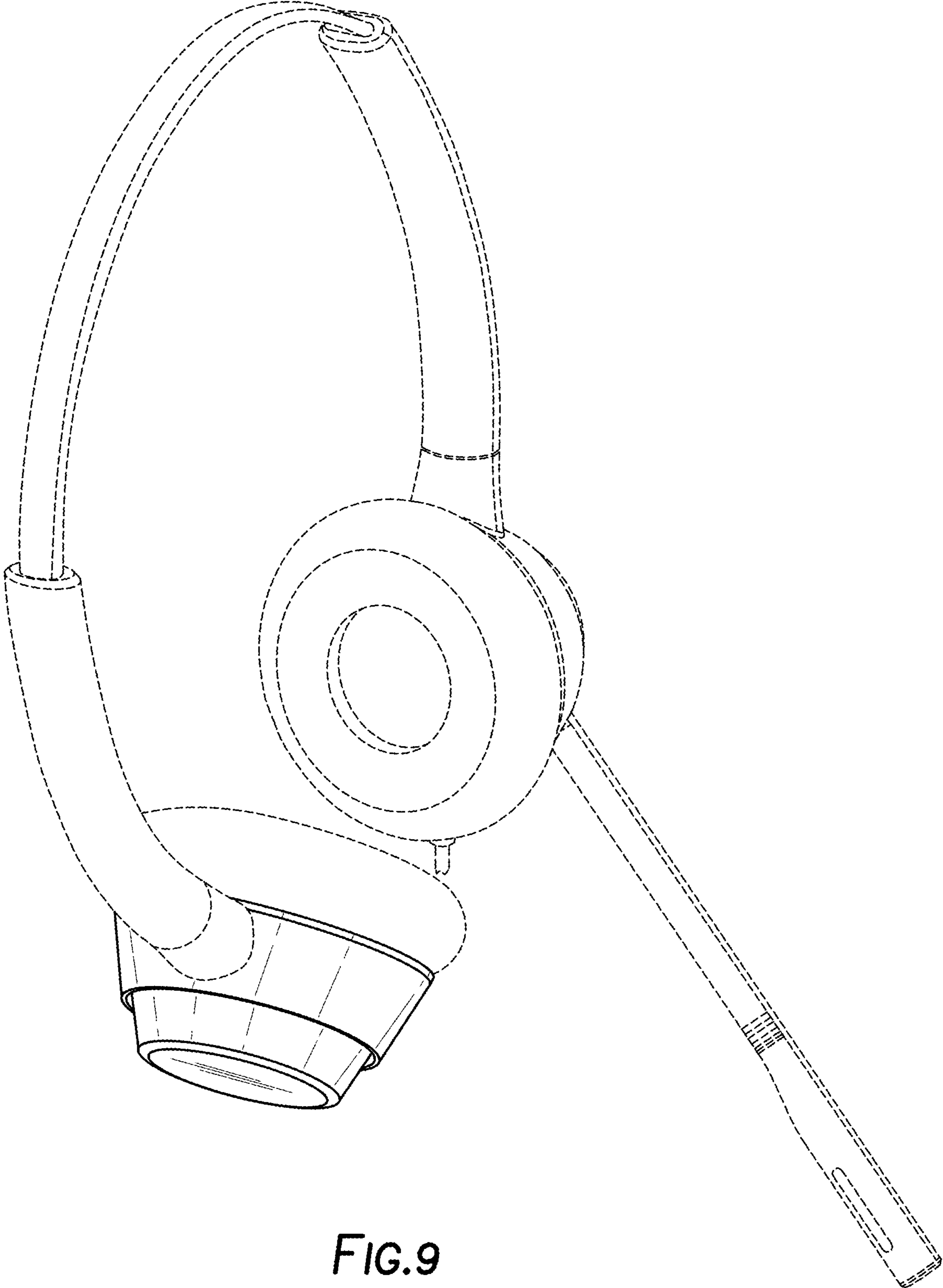


FIG. 9



FIG. 10

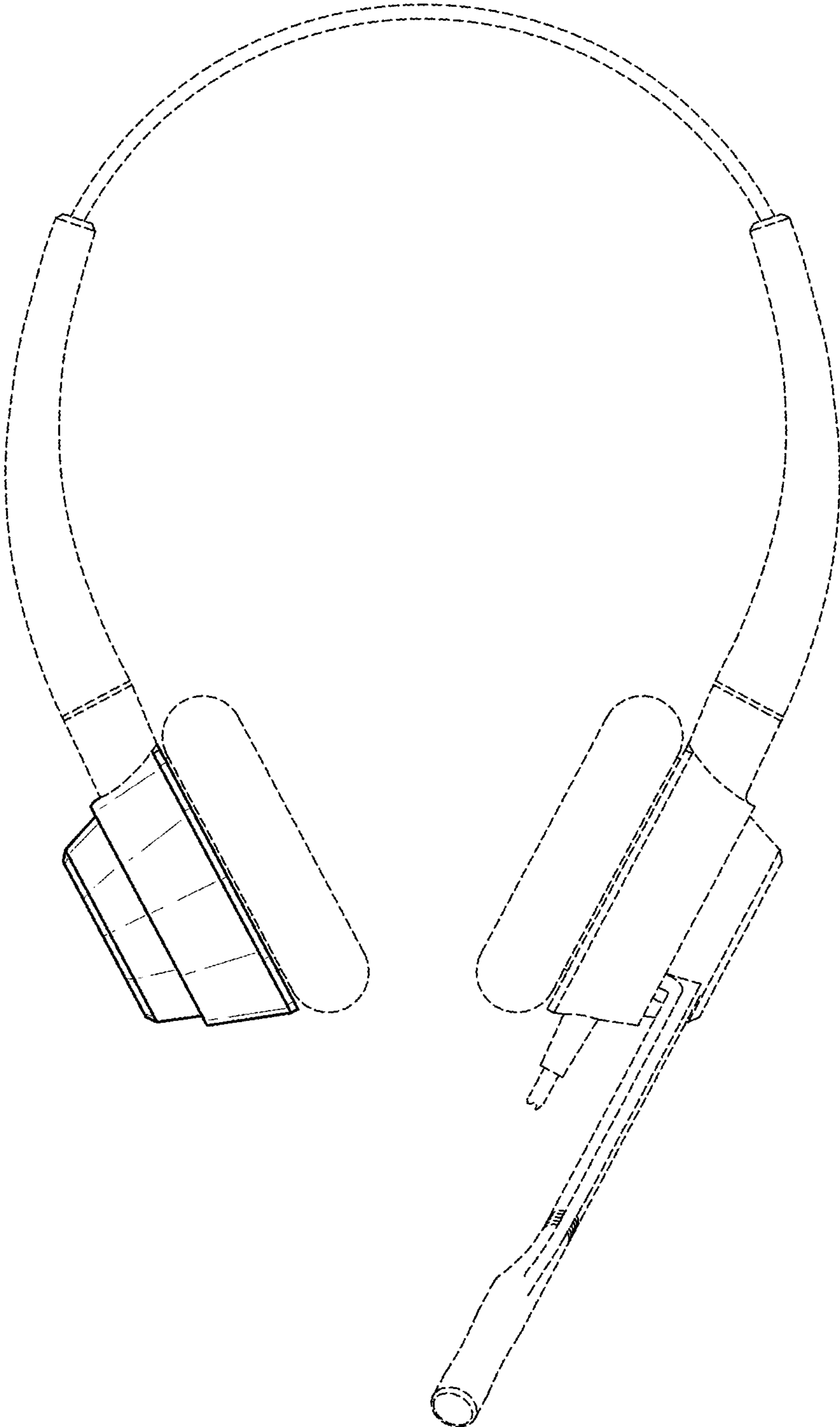
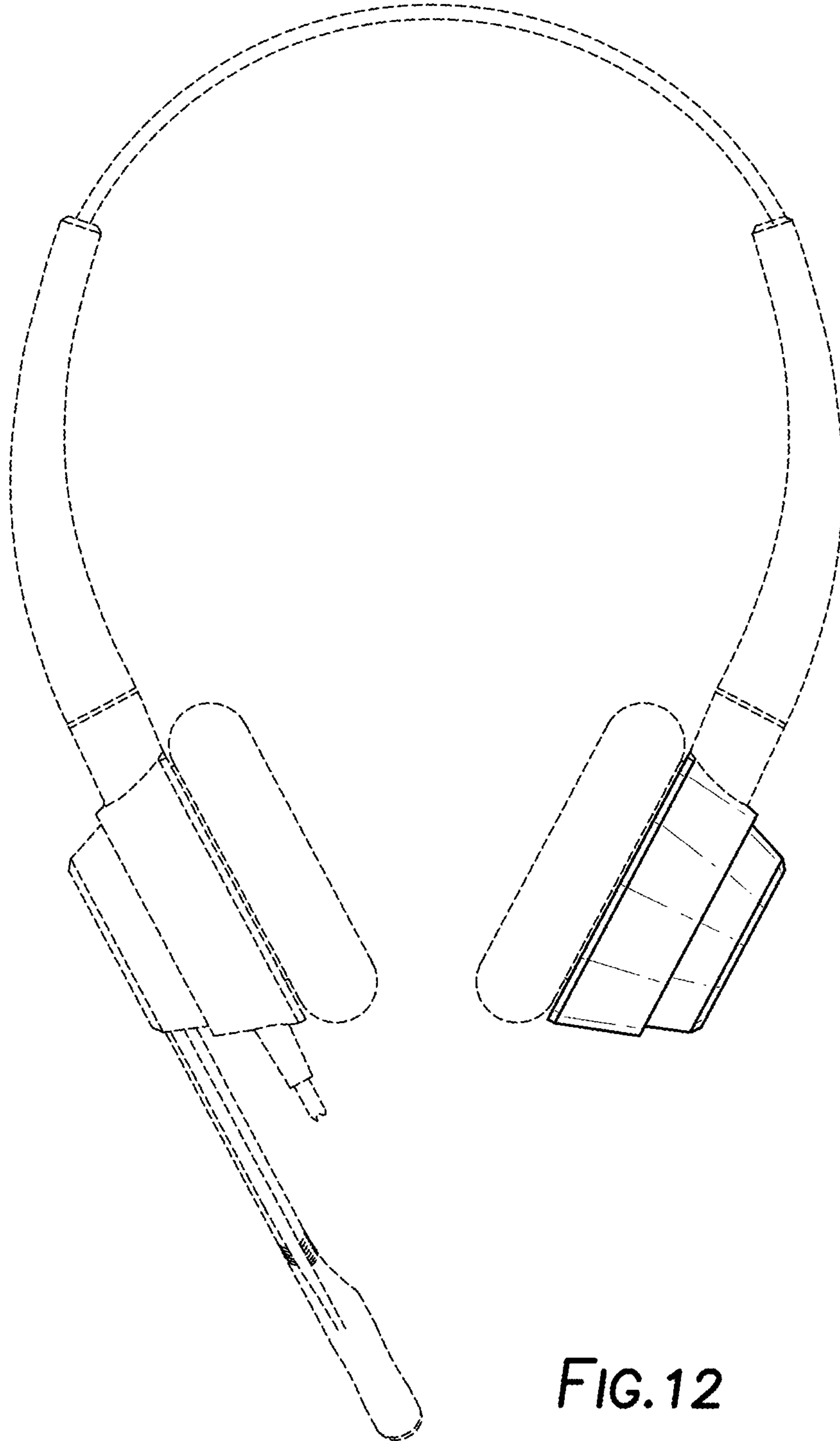


FIG.11



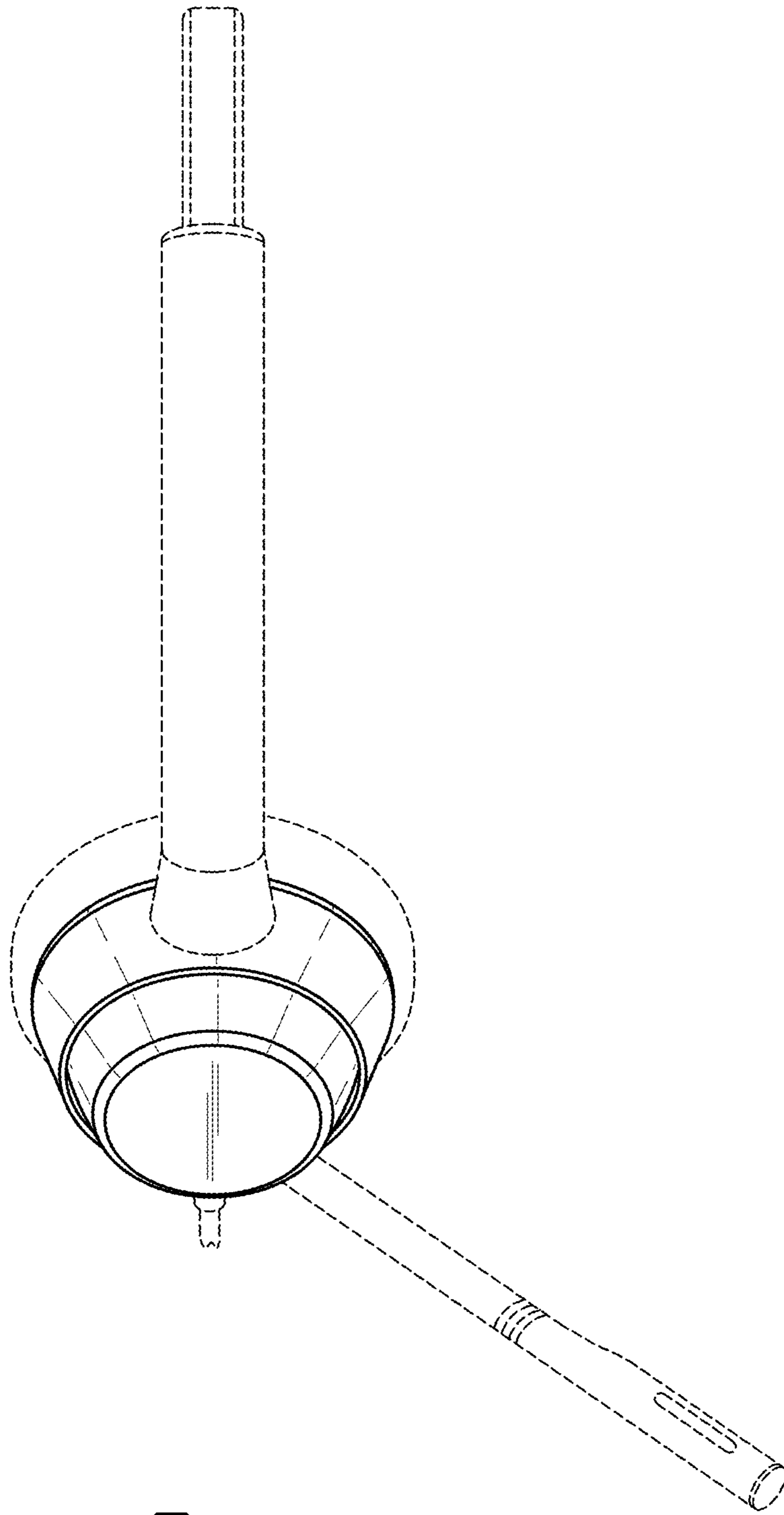


FIG. 13

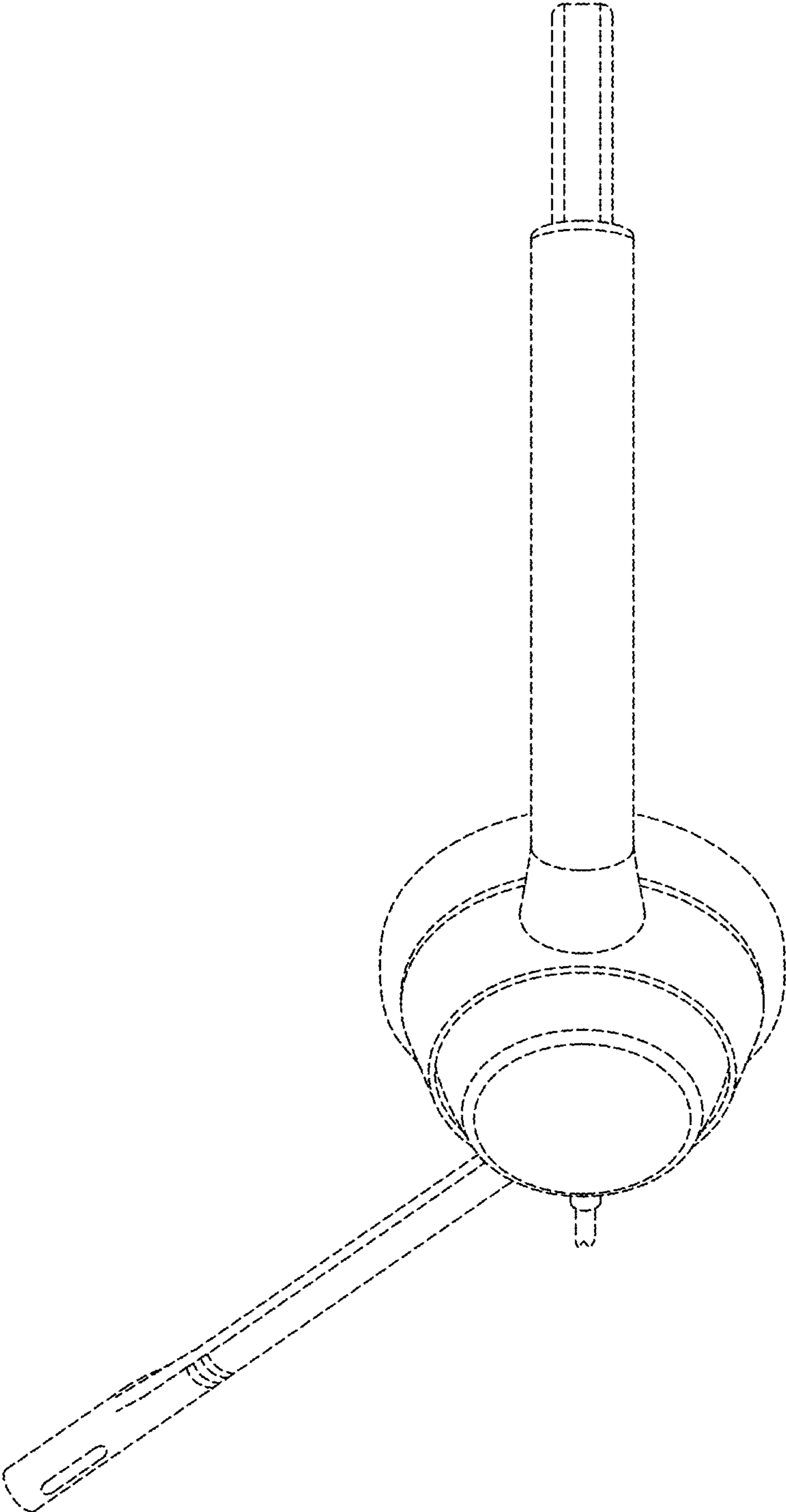


FIG.14

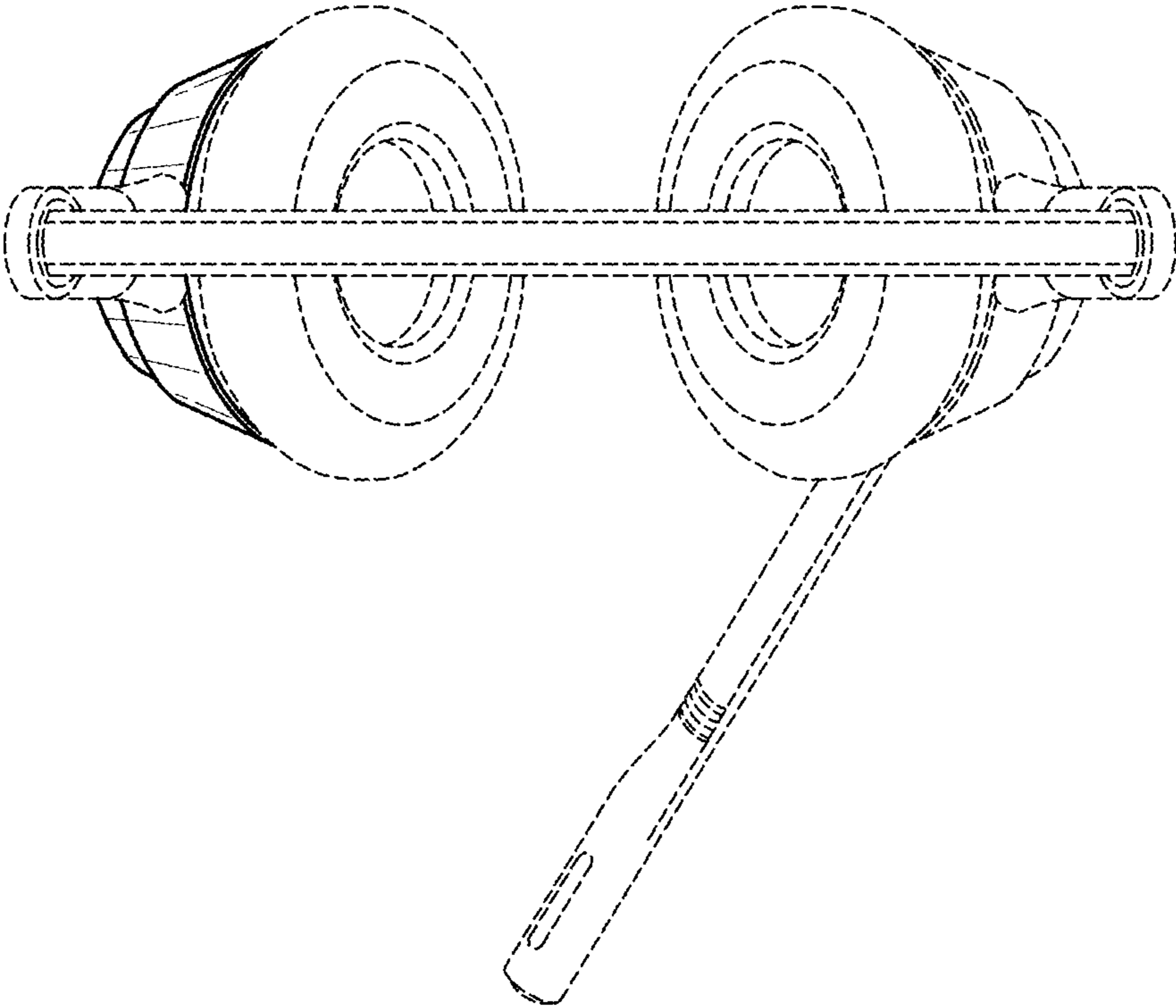


FIG. 15

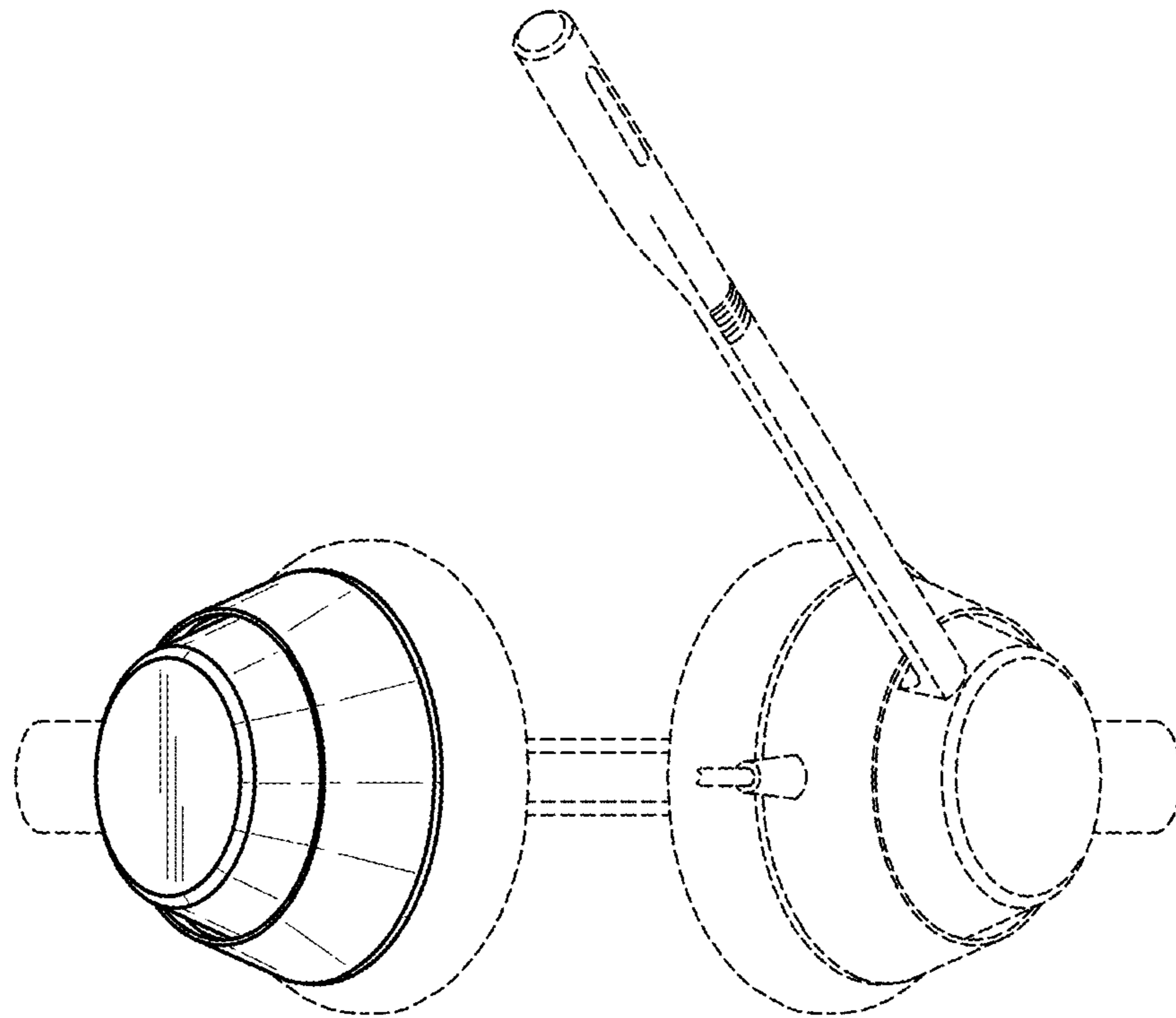


FIG. 16