



US00D926723S

(12) **United States Design Patent**
Kitamura

(10) **Patent No.:** **US D926,723 S**
(45) **Date of Patent:** **** Aug. 3, 2021**

(54) **SPEAKER**

FOREIGN PATENT DOCUMENTS

(71) Applicant: **PIONEER CORPORATION**, Tokyo
(JP)

CN	305567864	*	1/2020
JP	D1642212	*	9/2019
JP	D1642580	*	9/2019
JP	D1650103	*	1/2020
RU	00113493	*	3/2019

(72) Inventor: **Meiji Kitamura**, Tokyo (JP)

(73) Assignee: **PIONEER CORPORATION**, Tokyo
(JP)

OTHER PUBLICATIONS

(**) Term: **15 Years**

Pioneer TS-ME770TSW, date not available, [retrieved Dec. 22, 2020], Retrieved from Internet, URL: <https://www.crutchfield.com/S-HjOZHjAM6Hf/p_130ME770TW/Pioneer-TS-ME770TSW-White-with-White-Sport-Grille.html?XVINQ=GLX&awkw=948660375732&awat=pla&awnw=g&awcr=459867959725&awdv=c&awu%E2%80%A6> (Year: 2020).*

(21) Appl. No.: **29/717,011**

“2019 Marine Entertainment Catalogue” issued by Fusion Company, published 2019.

(22) Filed: **Dec. 13, 2019**

(30) **Foreign Application Priority Data**

Jul. 10, 2019 (JP) 2019-015456

* cited by examiner

(51) **LOC (13) Cl.** **14-01**

Primary Examiner — Barbara Fox

(52) **U.S. Cl.**

Assistant Examiner — Aram Kwon

USPC **D14/204**; D14/216

(74) *Attorney, Agent, or Firm* — Faegre Drinker Biddle & Reath LLP

(58) **Field of Classification Search**

USPC D14/155–159, 160–173, 187–188,
D14/203.1–203.8, 204–216, 217–222,
D14/225–229, 496

(57) **CLAIM**

CPC H04R 1/02; H04R 1/021; H04R 1/023;
H04R 5/00; H04R 9/06; H04R 2420/07

The ornamental design for a speaker, as shown and described.

See application file for complete search history.

DESCRIPTION

(56) **References Cited**

U.S. PATENT DOCUMENTS

D387,349 S	*	12/1997	Yuen	D14/168
D410,618 S	*	6/1999	Hussaini	D12/211
D514,999 S	*	2/2006	Boyer	D12/209
D534,520 S	*	1/2007	Caspi	D12/501
D725,083 S	*	3/2015	Lau	D14/224
D858,487 S	*	9/2019	Proni	D14/219
D861,643 S	*	10/2019	Proni	D14/215
D876,397 S	*	2/2020	Susterman	D14/219

FIG. 1 is a perspective view of a speaker showing my new design;

FIG. 2 is a front view thereof;

FIG. 3 is a rear view thereof;

FIG. 4 is a top view thereof;

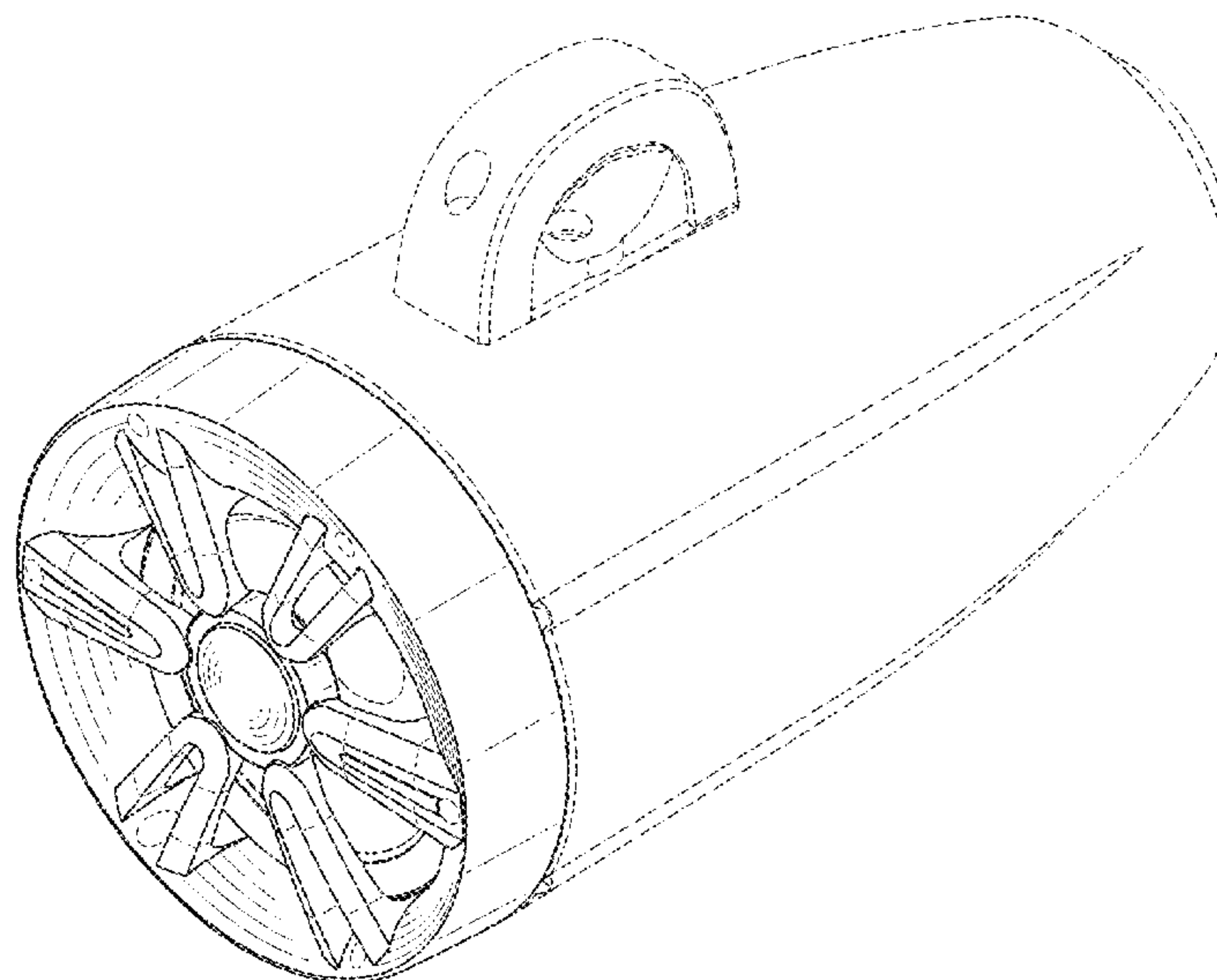
FIG. 5 is a bottom view thereof;

FIG. 6 is a right side view thereof; and,

FIG. 7 is a left side view thereof.

The broken lines depict portions of the speaker that form no part of the claimed design.

1 Claim, 7 Drawing Sheets



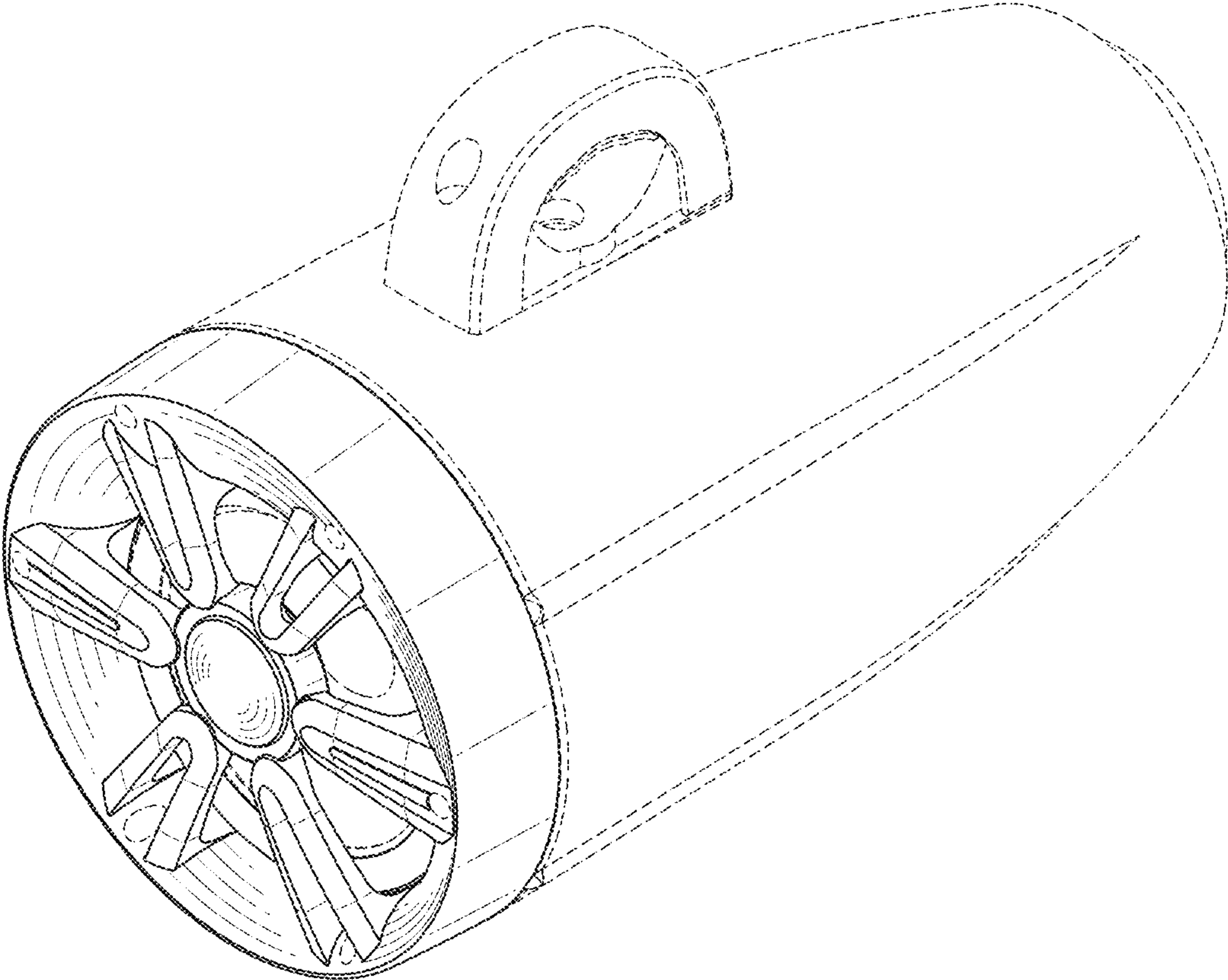


FIG. 1

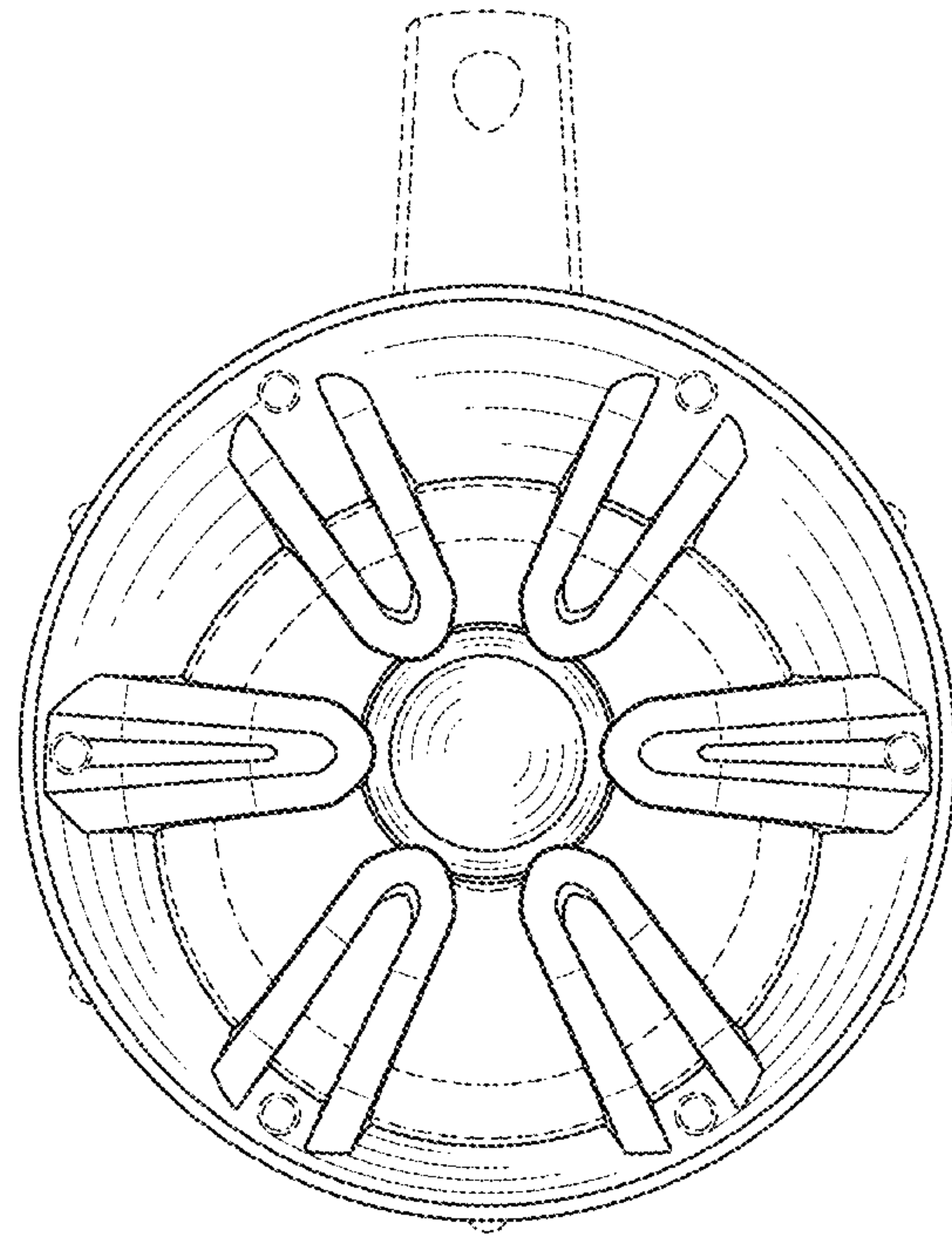


FIG. 2

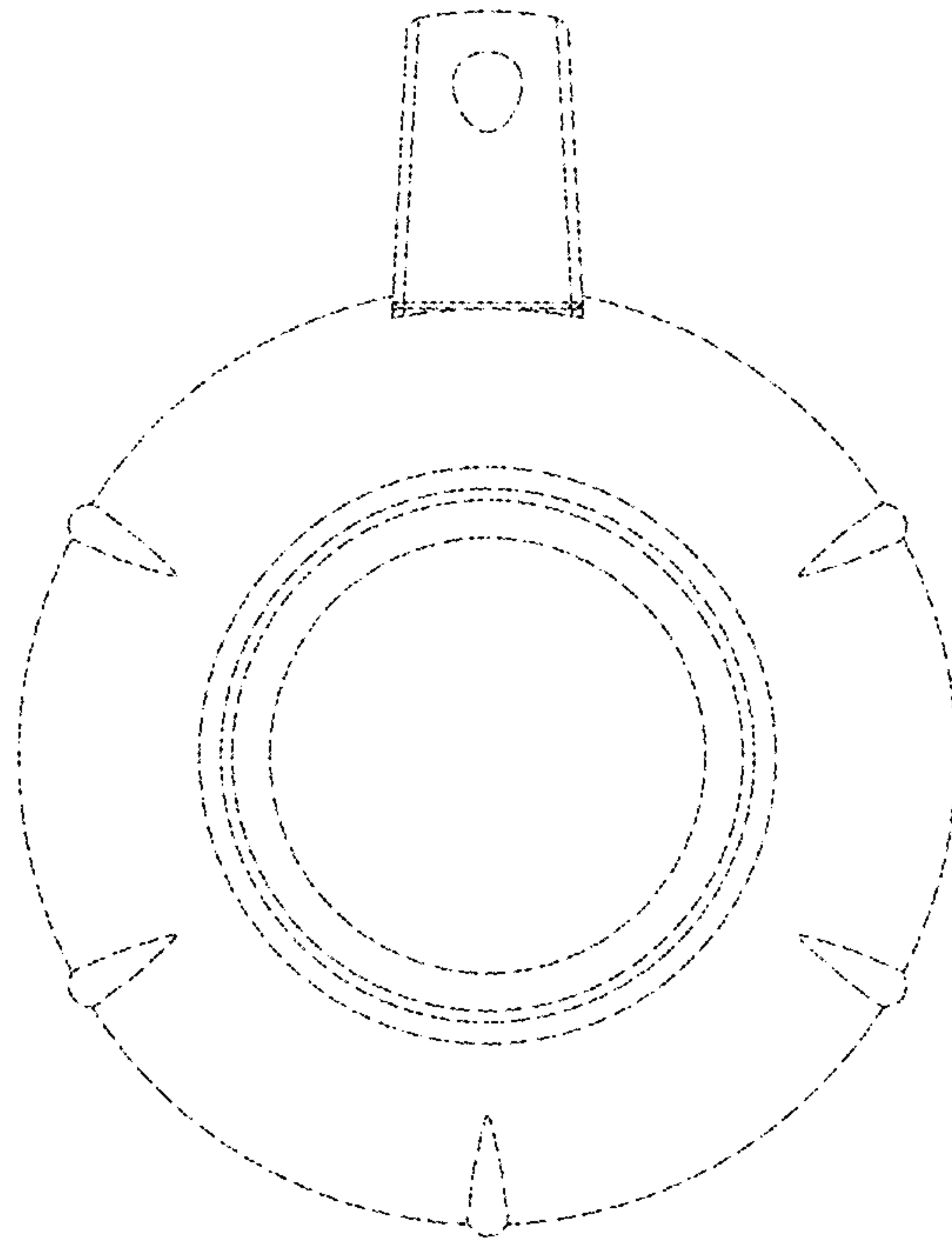


FIG. 3

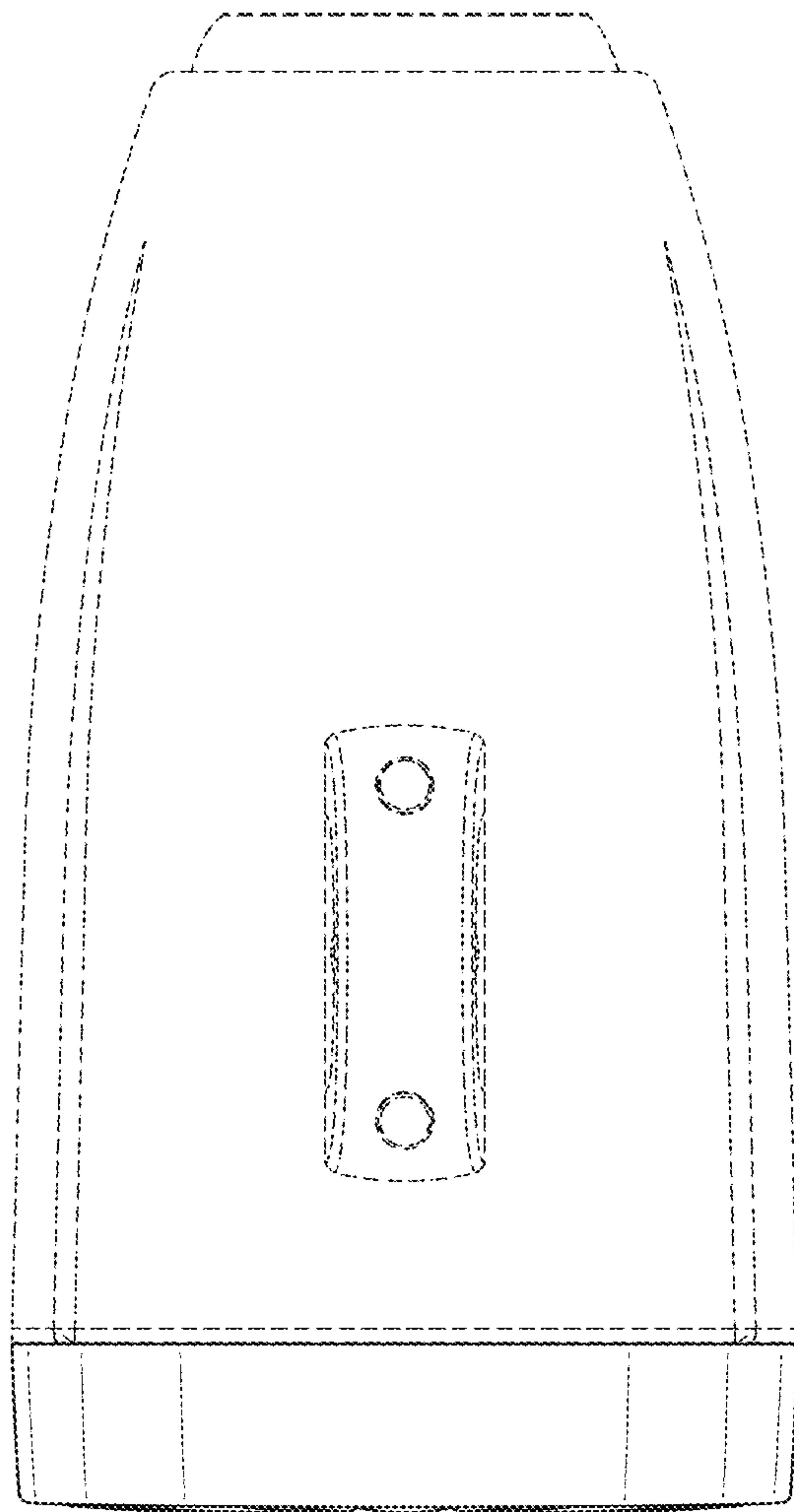


FIG. 4

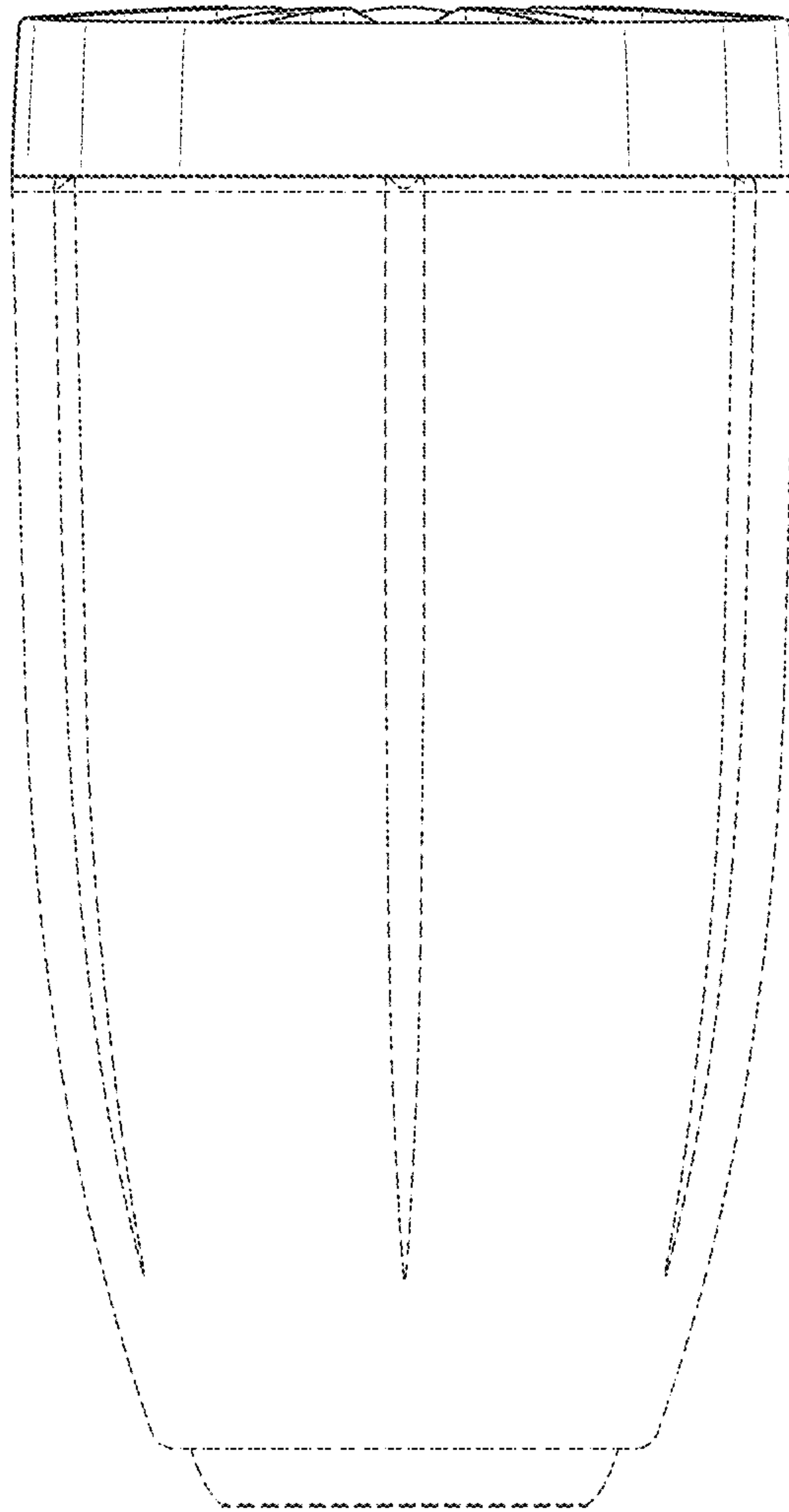


FIG. 5

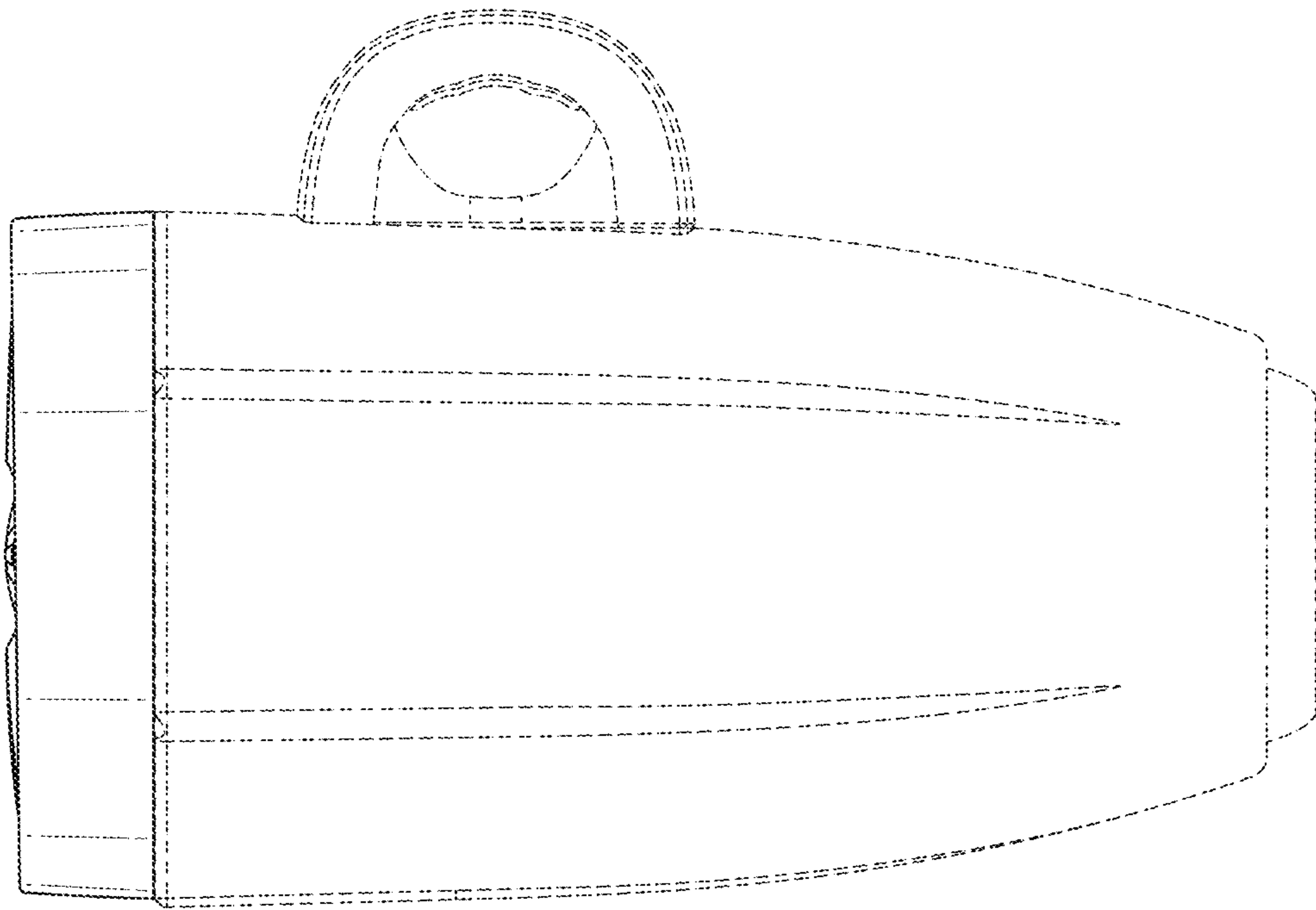


FIG. 6

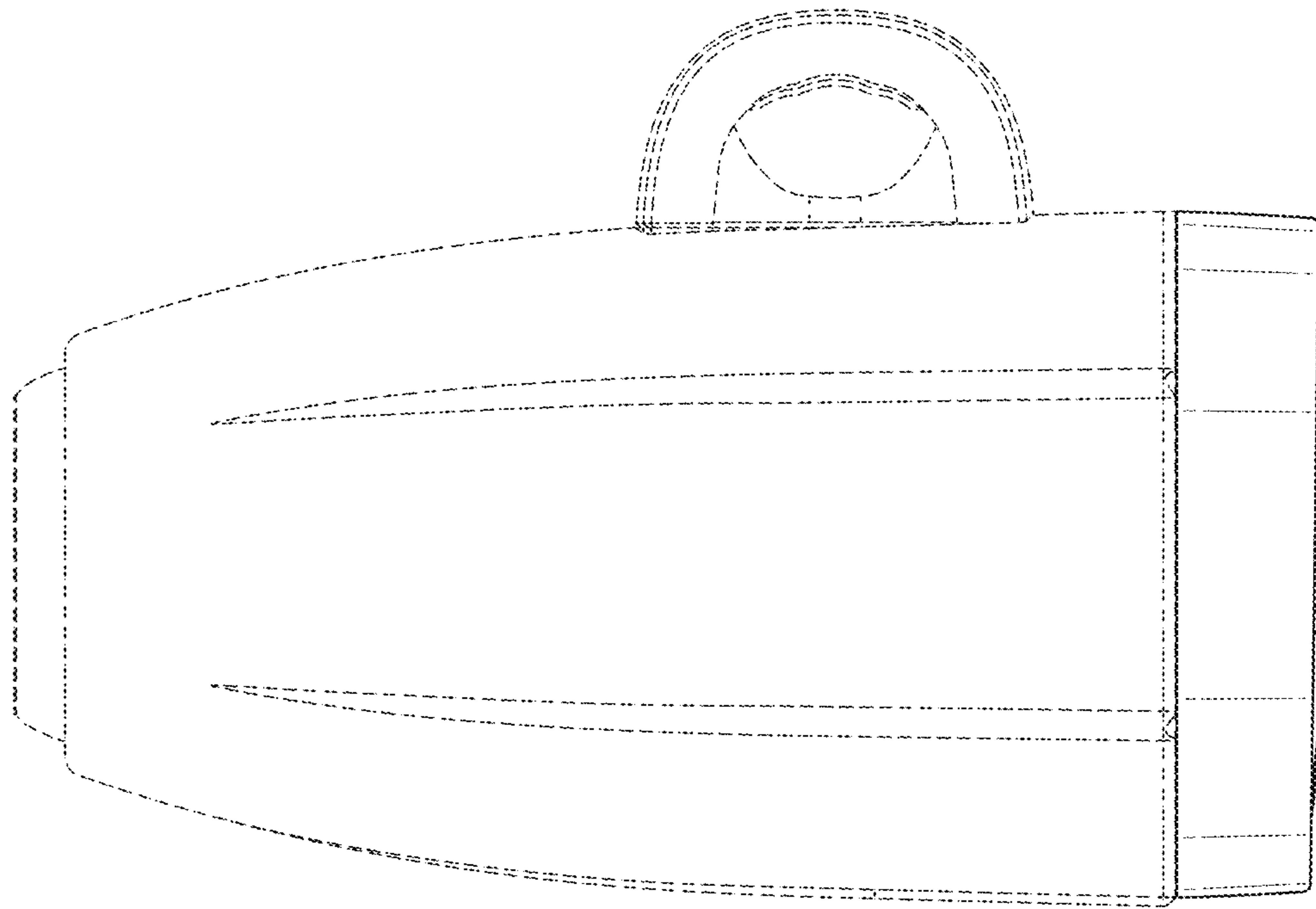


FIG. 7