



US00D926720S

(12) **United States Design Patent**
Arefti et al.

(10) **Patent No.:** **US D926,720 S**

(45) **Date of Patent:** **** Aug. 3, 2021**

(54) **JUKEBOX COVER ASSEMBLY**

(71) Applicant: **TouchTunes Music Corporation**, New York, NY (US)

(72) Inventors: **Vitalie Arefti**, Laval (CA); **Michel Bryant**, Laval (CA); **Jean Gauthier**, Sainte-Therese (CA); **Leo Frederick Maheu**, Montreal (CA); **Daniel Eugene Hamric**, Lake in the Hills, IL (US); **Michael Tooker**, Montreal (CA)

(73) Assignee: **TouchTunes Music Corporation**, New York, NY (US)

(**) Term: **15 Years**

(21) Appl. No.: **29/729,739**

(22) Filed: **Mar. 30, 2020**

Related U.S. Application Data

(63) Continuation of application No. 29/650,773, filed on Jun. 8, 2018, now Pat. No. Des. 883,249.

(51) **LOC (13) Cl.** **14-01**

(52) **U.S. Cl.**
USPC **D14/172**

(58) **Field of Classification Search**

USPC D14/167, 168, 170-172, 188, 194-196, D14/204, 207, 209.1, 210-216, 219, 221, D14/222, 224, 239, 496, 401, 435, 474, D14/483, 217, 137, 138, 160, 356, D14/203.1-203.8, 507, 184, 173; 345/156, 169, 173-179, 905; 715/727-729, 864; 710/1, 5, 8; 713/1,
(Continued)

(56) **References Cited**

U.S. PATENT DOCUMENTS

D215,853 S * 11/1969 La Zar D14/212
D254,052 S * 1/1980 Wolfe D10/51

(Continued)

OTHER PUBLICATIONS

The Fusion Barrel Edition music player by TouchTunes on display during the Amusement Expo a . . . , ReviewJournal.com, Mar. 27, 2019, [online], [site visited Dec. 22, 2020], <URL: https://www.reviewjournal.com/business/arcade-businesses-set-for-revival-industry-insiders-say-1628383/attachment/the-fusion> (Year: 2019).*

Primary Examiner — T Chase Nelson

Assistant Examiner — Jonathan J. Han

(74) *Attorney, Agent, or Firm* — Nixon & Vanderhye, P.C.

(57) **CLAIM**

The ornamental design for a jukebox cover assembly, as shown and described.

DESCRIPTION

FIG. 1 is a front perspective view of a jukebox cover assembly with a jukebox and articulating display screen (e.g., touchscreen) insert;

FIG. 2 is a front perspective view of the jukebox cover assembly of FIG. 1 without the jukebox and articulating display screen insert;

FIG. 3 is a front elevation view thereof;

FIG. 4 is a rear elevation view thereof;

FIG. 5 is a top plan view thereof;

FIG. 6 is a bottom plan view thereof;

FIG. 7 is a left side view thereof;

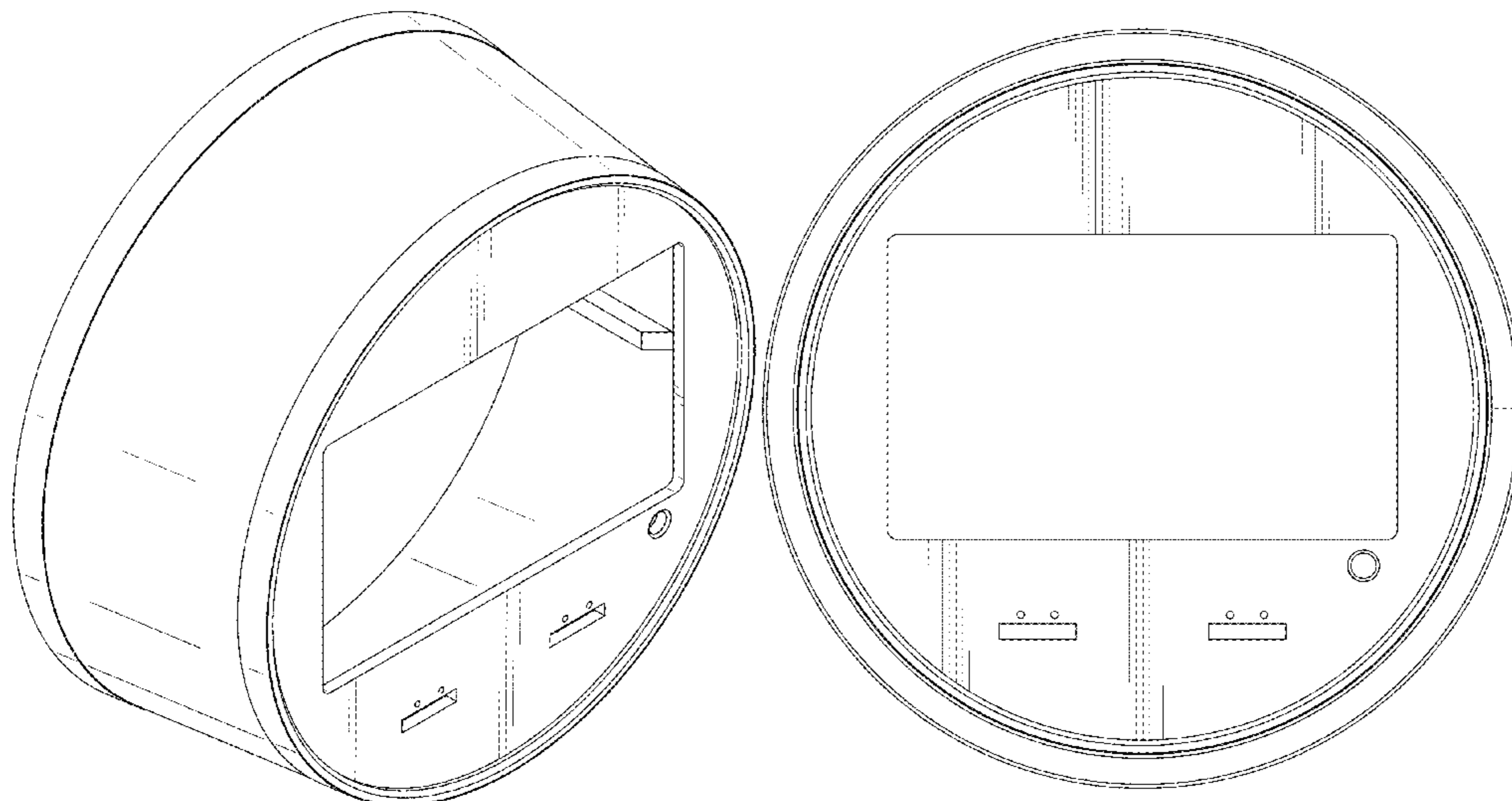
FIG. 8 is a right side view thereof; and,

FIG. 9 is a rear perspective view thereof.

The dashed lines shown in FIG. 1 represent environmental structure and form no part of the claimed design. Some views of some of the cover assembly portions may not be shown and therefore represent unclaimed subject matter.

It will be appreciated that the design described herein may be wall-mounted in some instances.

1 Claim, 8 Drawing Sheets



(58) **Field of Classification Search**

USPC 713/600; 455/1, 73, 344-347, 93, 95,
 455/3.01-3.06, 550.1, 575.1;
 370/342-344; 369/1, 2, 6-12;
 463/43-47; 273/148 B; D10/46, 49, 50;
 236/46 R, 47, 94; 337/112, 327, 360
 CPC B60R 11/0217; G06F 1/1688; G10K 9/22;
 G10K 11/004; H03F 1/327; H04M 1/03;
 H04M 1/035; H04N 5/642; H04N
 21/4852; H04R 1/02; H04R 1/06; H04R
 1/021; H04R 1/025; H04R 1/026; H04R
 1/028; H04R 1/105; H04R 1/323; H04R
 1/403; H04R 1/2803; H04R 1/2834;
 H04R 5/02; H04R 7/20; H04R 9/06;
 H04R 9/025; H04R 2201/021; H04R
 2400/00; H04R 2400/07; H04R 2499/11;
 H04R 2499/13; H04R 2499/15; H04S
 3/00; H04S 7/30

See application file for complete search history.

(56) **References Cited**

U.S. PATENT DOCUMENTS

D291,536 S * 8/1987 Crawford D9/440
 D390,482 S * 2/1998 Pasquarette D10/50

D456,807 S * 5/2002 Floyd D14/356
 D503,631 S * 4/2005 Peabody D10/50
 D506,150 S * 6/2005 Backlund D10/50
 D506,689 S * 6/2005 Backlund D10/60
 D512,406 S * 12/2005 Shimizu D14/167
 D551,577 S * 9/2007 Barton D10/50
 D560,209 S * 1/2008 Kim D14/215
 D585,898 S * 2/2009 Skurdal D14/434
 D606,517 S * 12/2009 Nousiainen D14/216
 D607,347 S * 1/2010 Goh D10/46
 D617,314 S * 6/2010 Zha D14/216
 D665,375 S * 8/2012 Garneau D14/173
 D671,528 S * 11/2012 Fathollahi D14/216
 D687,809 S * 8/2013 Bergmann D14/209.1
 D705,815 S * 5/2014 Green D14/509
 D710,329 S * 8/2014 Holzer D14/216
 D734,735 S * 7/2015 Tooker D14/172
 D791,093 S * 7/2017 Clegg D14/125
 D810,045 S * 2/2018 Kim D14/204
 D820,318 S * 6/2018 Mullins D14/496
 D824,763 S * 8/2018 Suess D9/454
 D826,738 S * 8/2018 Liao D10/52
 D835,070 S * 12/2018 DePasquale D14/216
 D837,148 S * 1/2019 Brown D13/108
 D843,238 S * 3/2019 Rose D10/50
 D843,239 S * 3/2019 Read D10/50
 D883,249 S * 5/2020 Arefiti D14/172
 D903,624 S * 12/2020 Tooker D14/173
 2019/0378485 A1 * 12/2019 Arefiti G10H 1/32

* cited by examiner

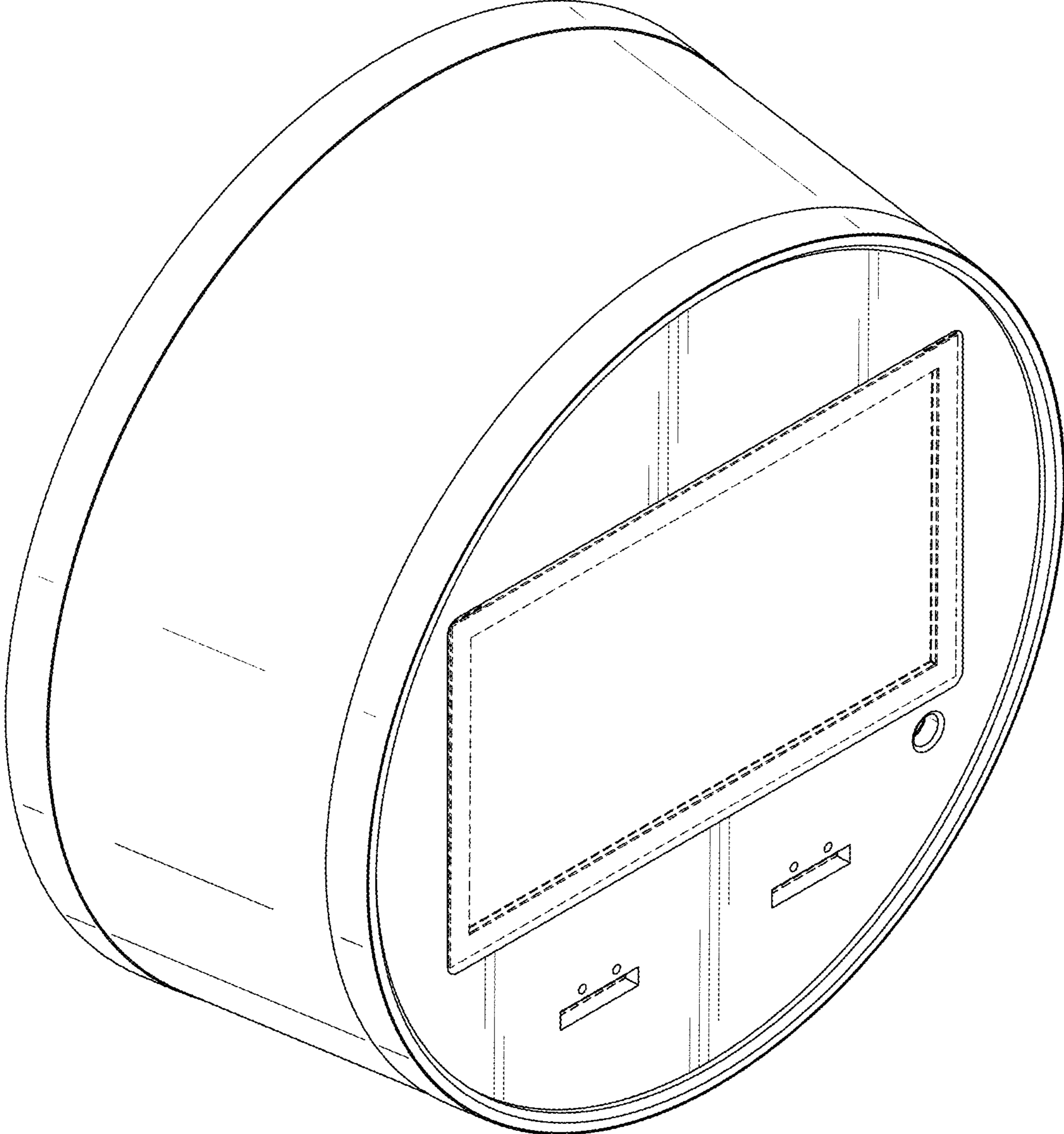


Fig. 1

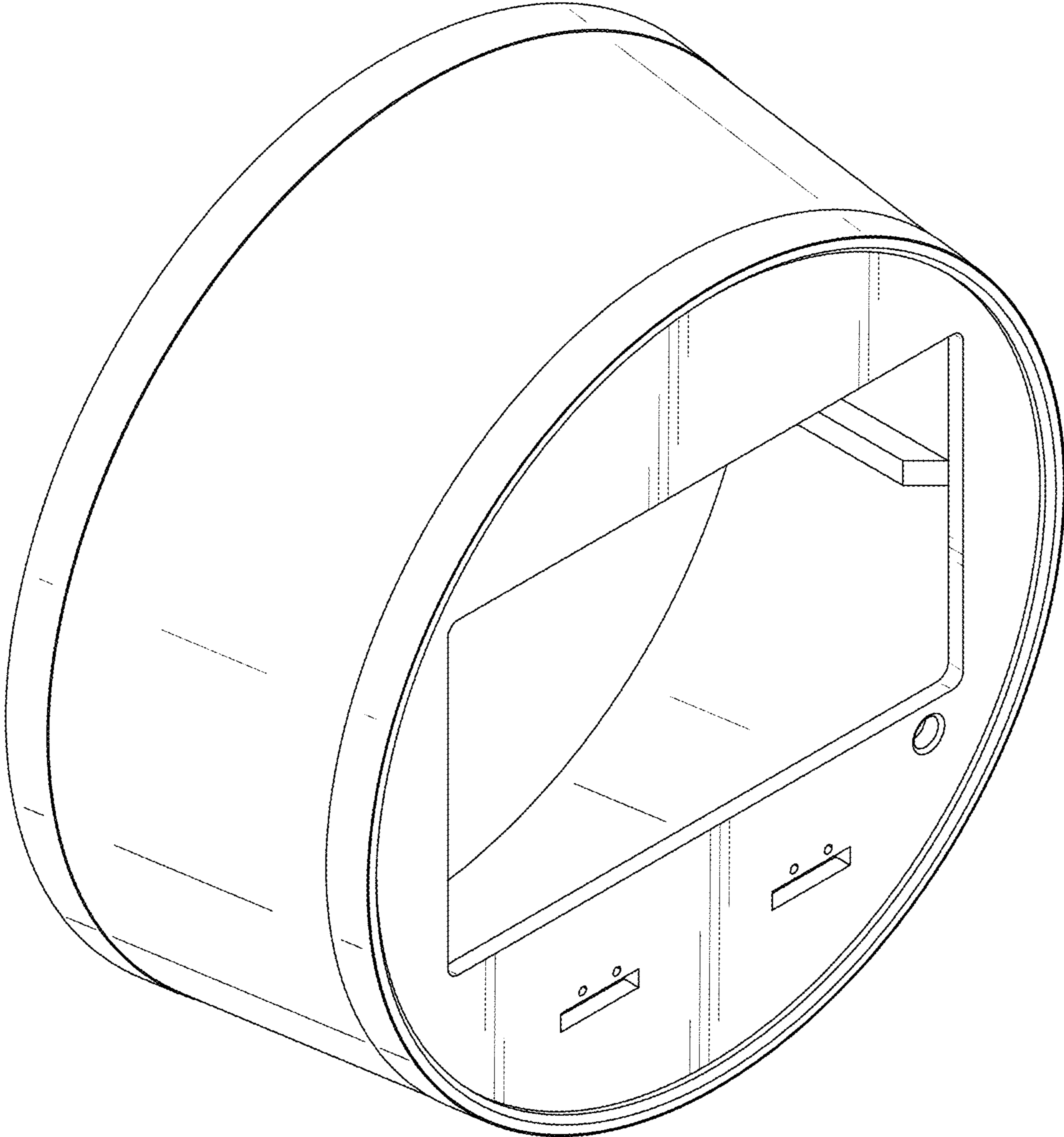


Fig. 2

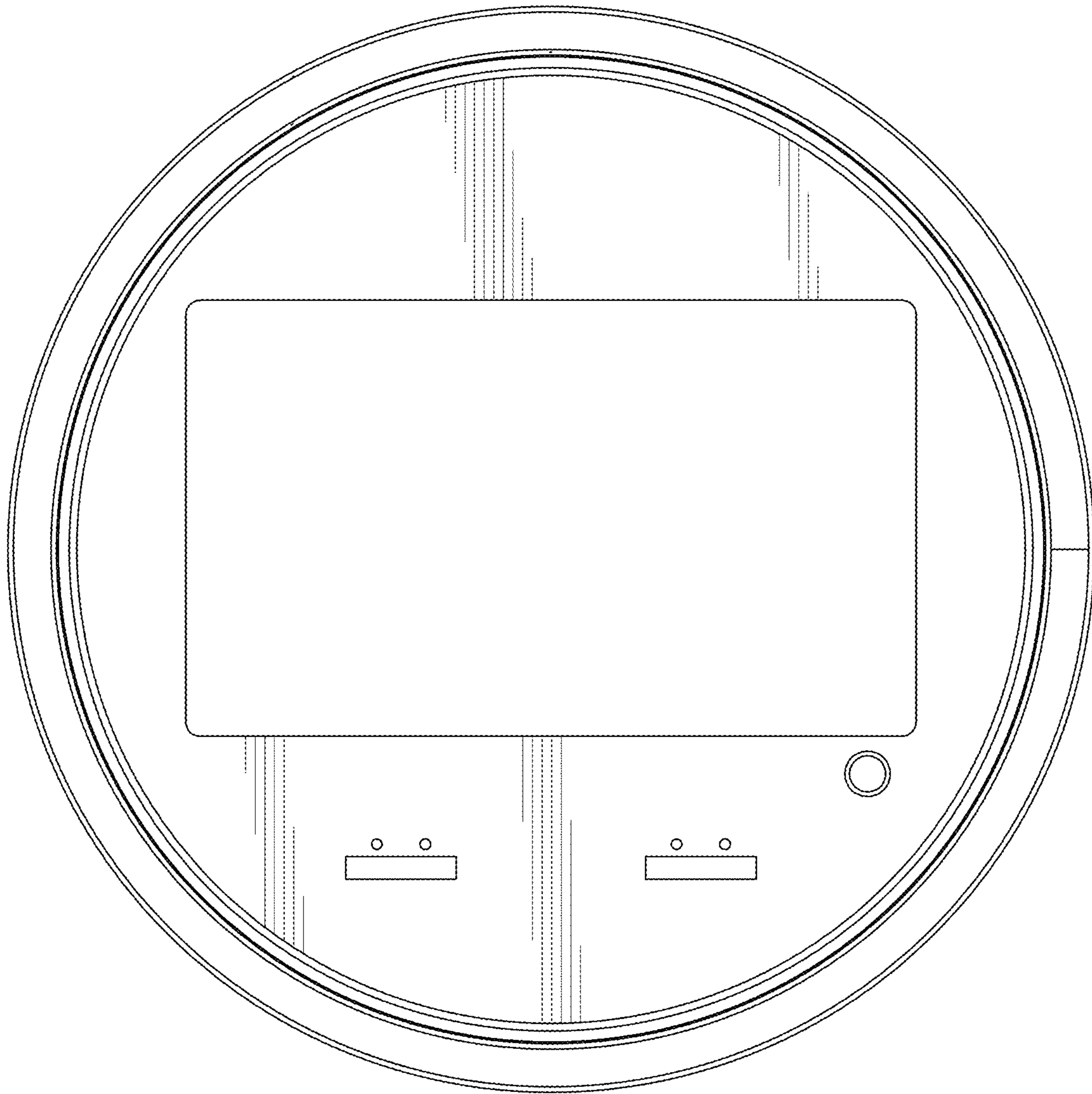


Fig. 3

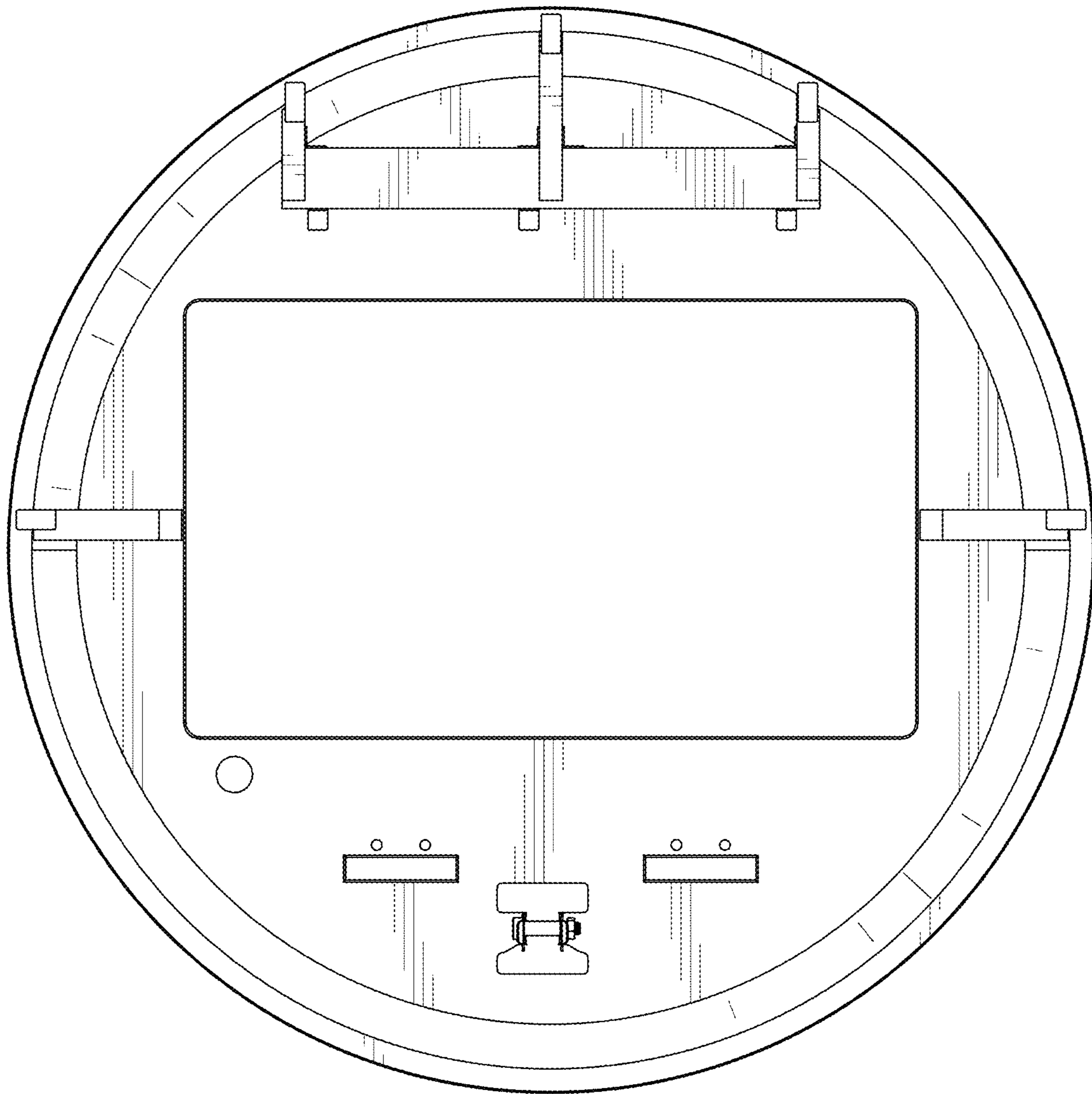


Fig. 4

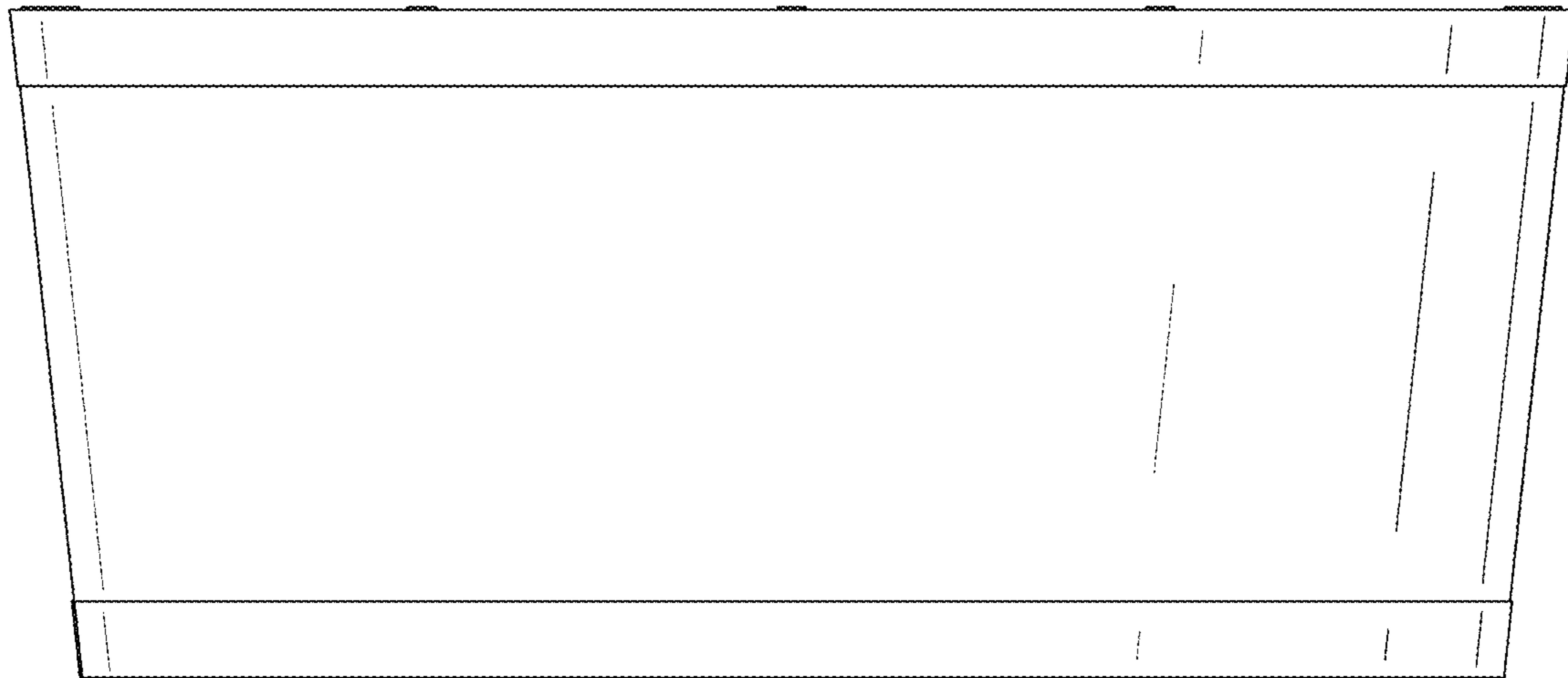


Fig. 5

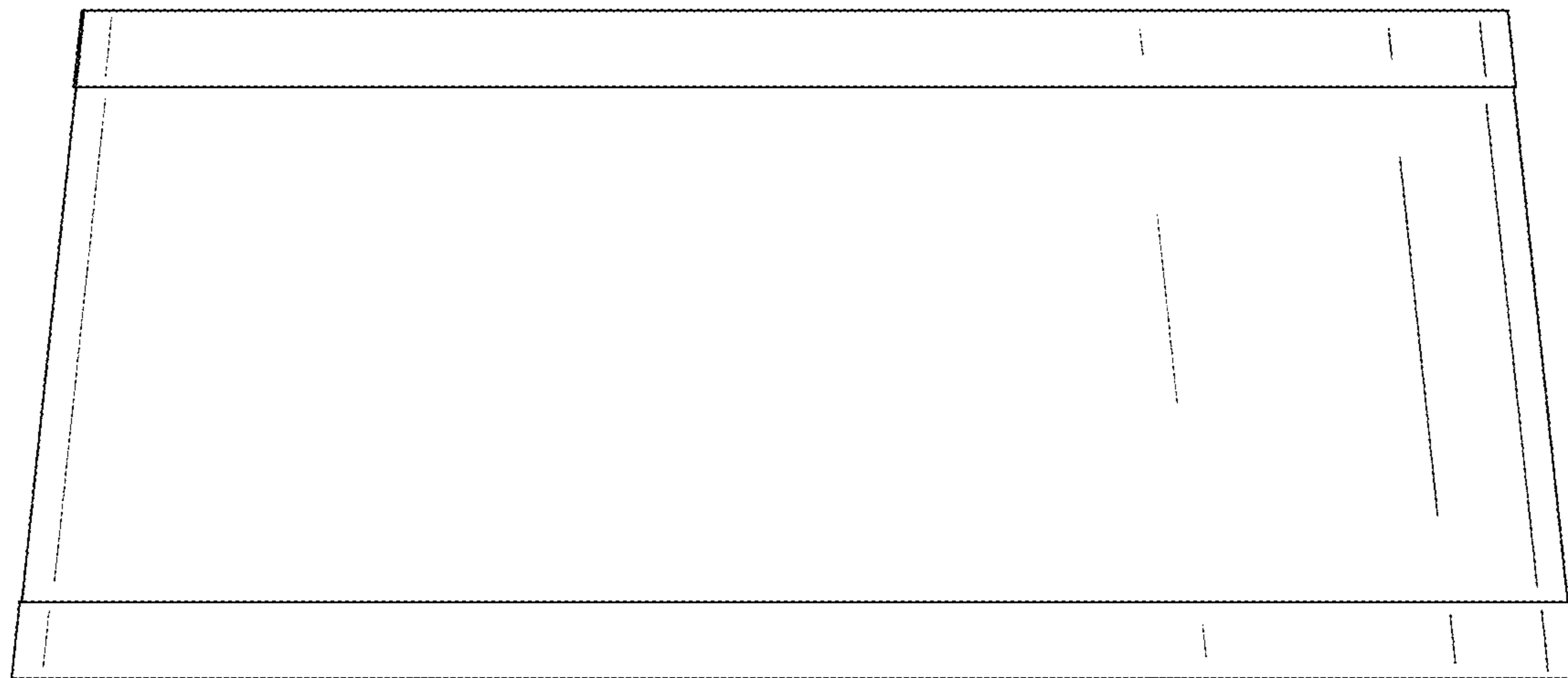


Fig. 6

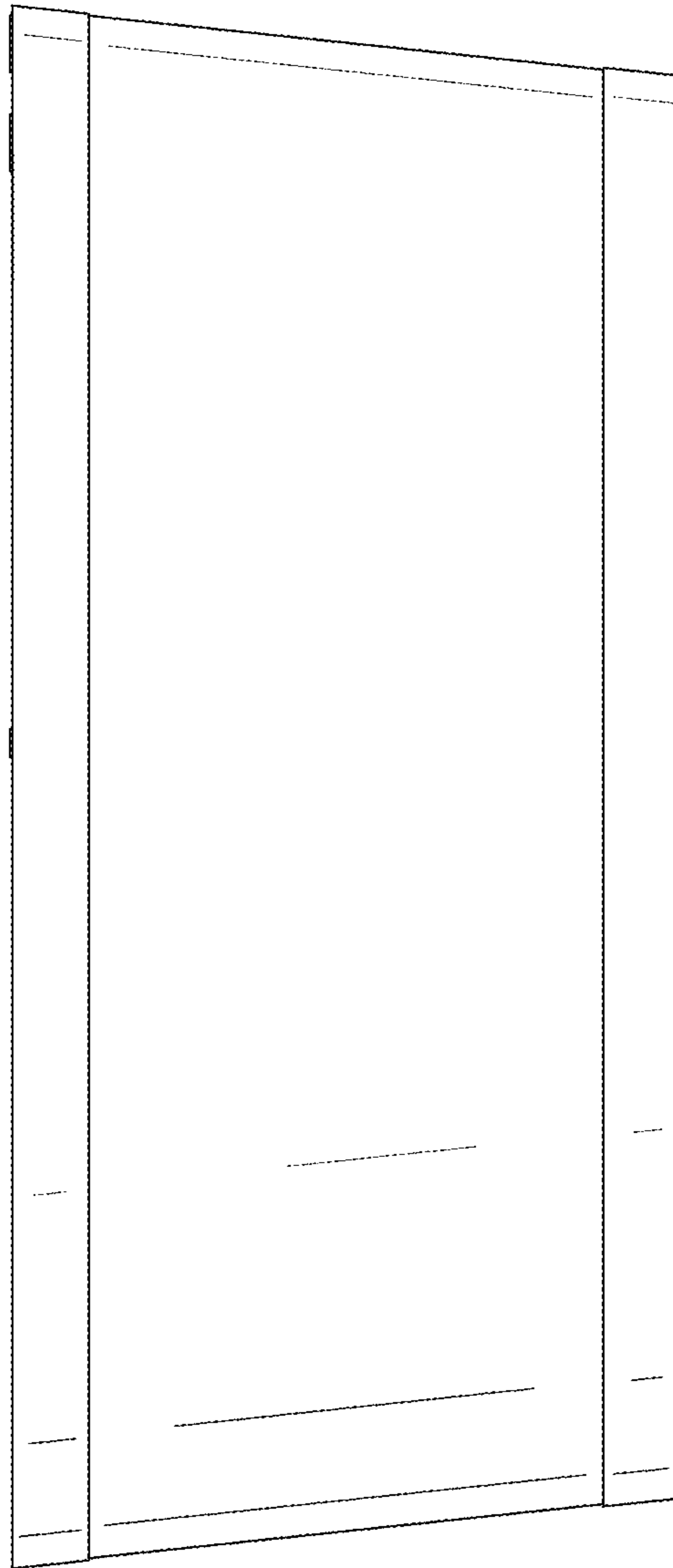


Fig. 7

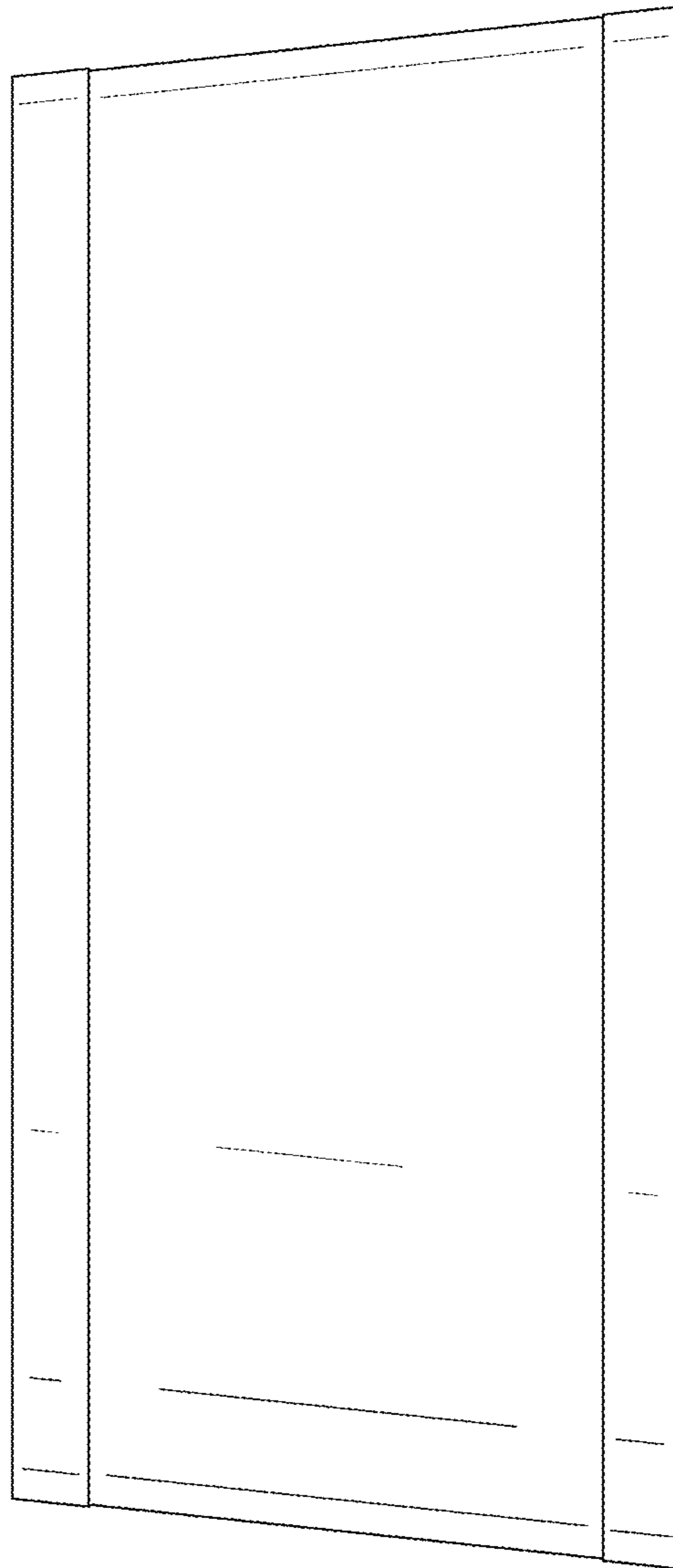


Fig. 8

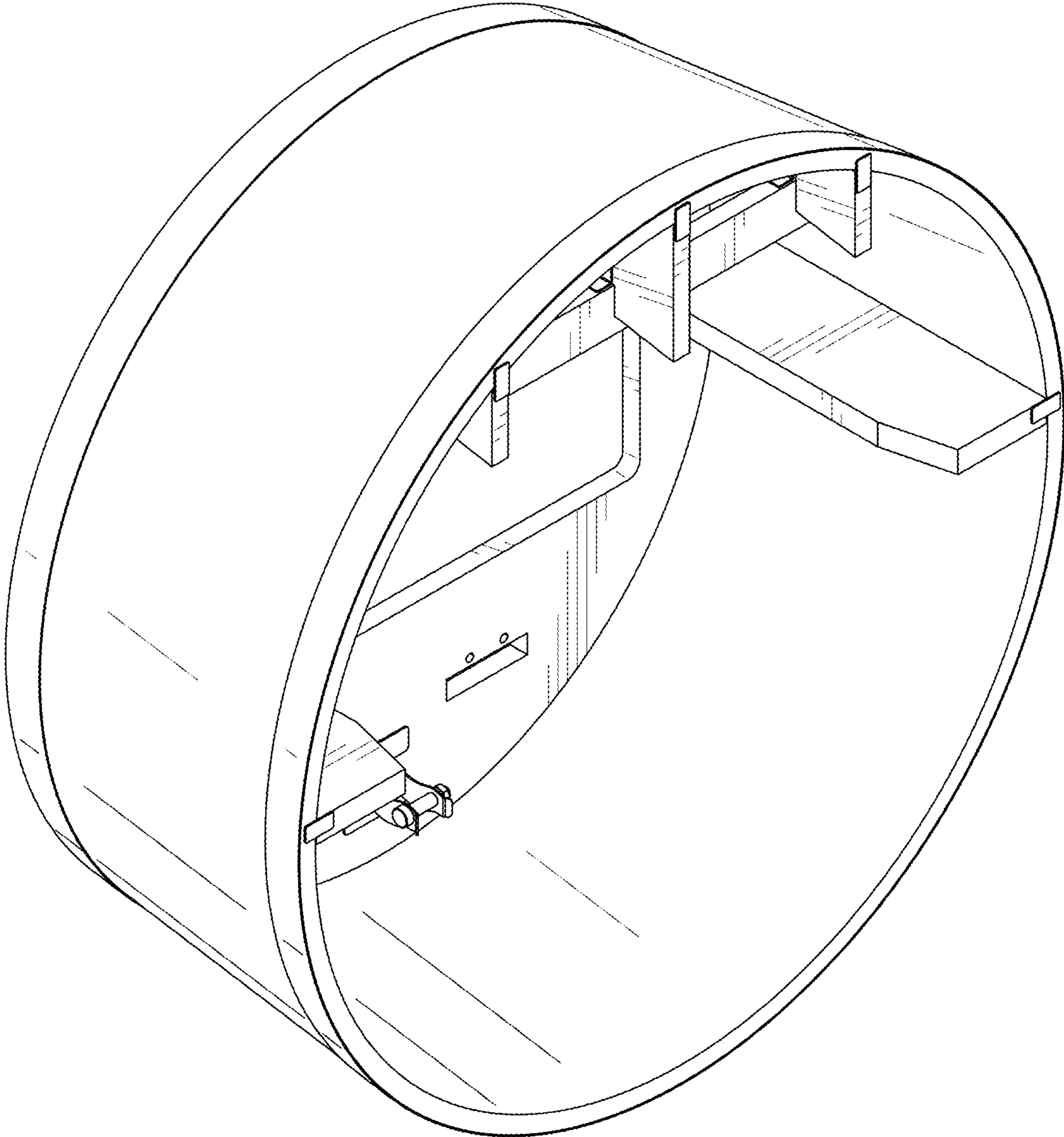


Fig. 9