



US00D926719S

(12) **United States Design Patent**
Balcarek et al.

(10) **Patent No.:** **US D926,719 S**

(45) **Date of Patent:** **** Aug. 3, 2021**

(54) **INTERCOMMUNICATION
DEVICE/TELECOM**

(71) Applicant: **AXIS AB**, Lund (SE)

(72) Inventors: **Rostislav Balcarek**, Modranska (CZ);
Jan Kahoun, Lund (SE)

(73) Assignee: **AXIS AB**, Lund (SE)

(**) Term: **15 Years**

(21) Appl. No.: **29/712,341**

(22) Filed: **Nov. 7, 2019**

(30) **Foreign Application Priority Data**

May 7, 2019 (EM) 006408936-0002

(51) **LOC (13) Cl.** **14-03**

(52) **U.S. Cl.**
USPC **D14/159**

(58) **Field of Classification Search**
USPC D14/302-307, 900-902, 159; D13/163;
D20/10; D21/332, 325, 369, 370;
D99/28; D6/397, 466; 194/206;
361/679.01, 679.02, 679.04, 679.21,
361/679.57, 725
CPC G06Q 20/18; G06Q 20/10; G06Q 20/123;
G06Q 20/20; G06Q 30/02; G06Q 30/06;
A47F 9/047

See application file for complete search history.

(56) **References Cited**

U.S. PATENT DOCUMENTS

D520,488 S * 5/2006 Fabrizi D14/159
D522,490 S * 6/2006 Yukikado D14/159
D525,963 S * 8/2006 Yukikado D14/159
D531,160 S * 10/2006 Yukikado D14/159

D722,301 S * 2/2015 Crippa D14/159
D761,754 S * 7/2016 Michielan D14/159
D761,755 S * 7/2016 Michielan D14/159
D761,757 S * 7/2016 Michielan D14/159
D761,758 S * 7/2016 Michielan D14/159
D820,804 S * 6/2018 Nagatsuka D14/159
D820,805 S * 6/2018 Nagatsuka D14/159
D848,392 S * 5/2019 Zeng D14/159
D869,424 S * 12/2019 Takahata D14/159

OTHER PUBLICATIONS

Communicator 2M in Wall with cover box, Devon Engineering, 1 page, Jun. 27, 2013.
Communicator 2M on Wall with flush box, Devon Engineering, 1 page, Jun. 27, 2013.
2N® Helios IP intercoms and public address systems catalog, version 2.0, 69 pages, issued Jan. 2016.

(Continued)

Primary Examiner — Austin Murphy

(74) *Attorney, Agent, or Firm* — Volpe Koenig

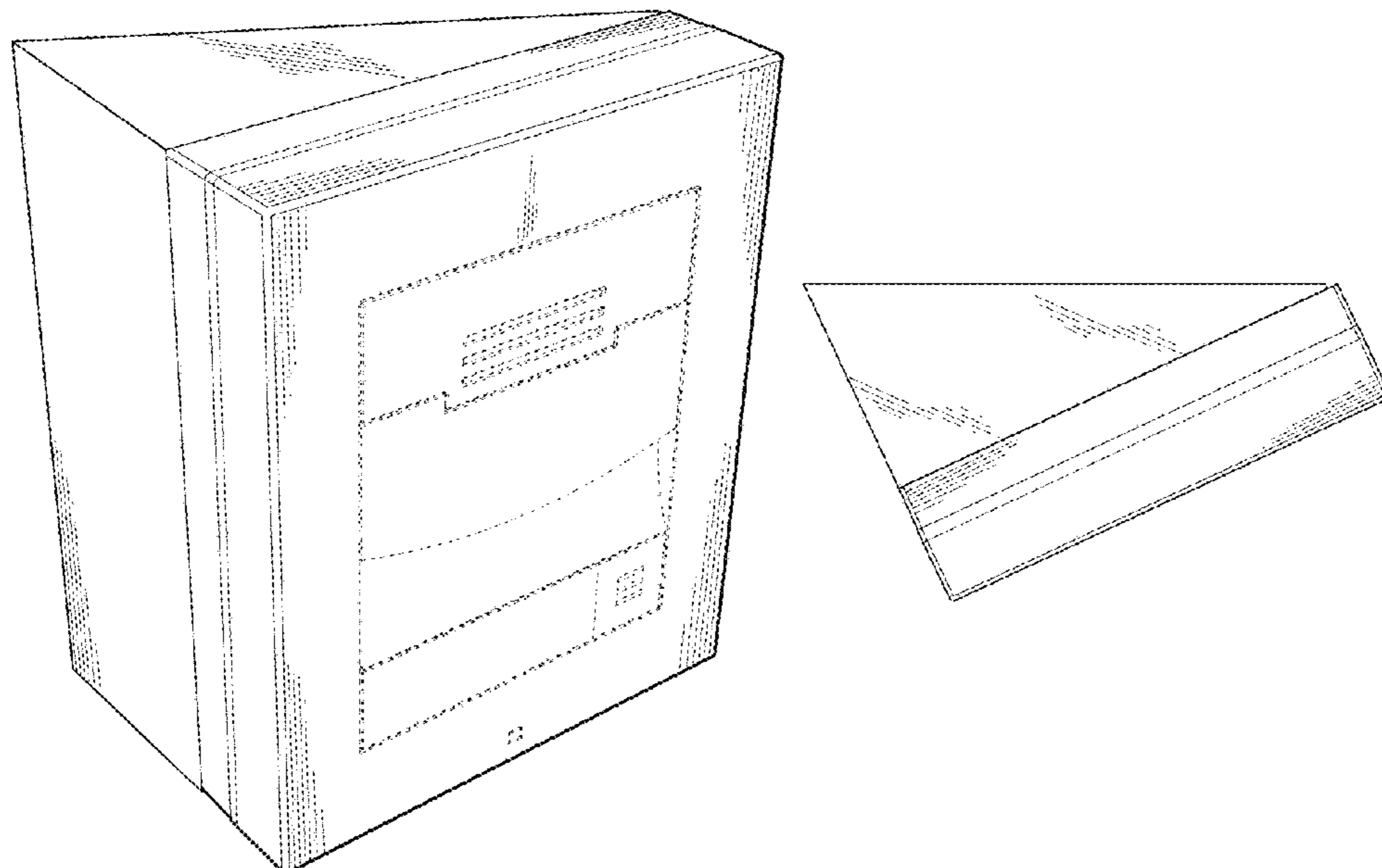
(57) **CLAIM**

The ornamental design for an intercommunication device/telecom, as shown and described.

DESCRIPTION

FIG. 1 is a perspective view of an intercommunication device/telecom showing our new design;
FIG. 2 is a top plan view thereof
FIG. 3 is a front elevational view thereof;
FIG. 4 is a left side elevational view thereof;
FIG. 5 is a rear elevational view thereof;
FIG. 6 is a right side elevational view thereof; and,
FIG. 7 is a bottom plan view thereof.
The broken lines represent portions of the intercommunication device/telecom that form no part of the claimed design.

1 Claim, 3 Drawing Sheets



(56)

References Cited

OTHER PUBLICATIONS

Modul Keypad in Wall with flush box, Devon Engineering, 1 page,
Jun. 27, 2013.

Modul Keypad on Wall with cover box, Devon Engineering, 1 page,
Jun. 27, 2013.

* cited by examiner

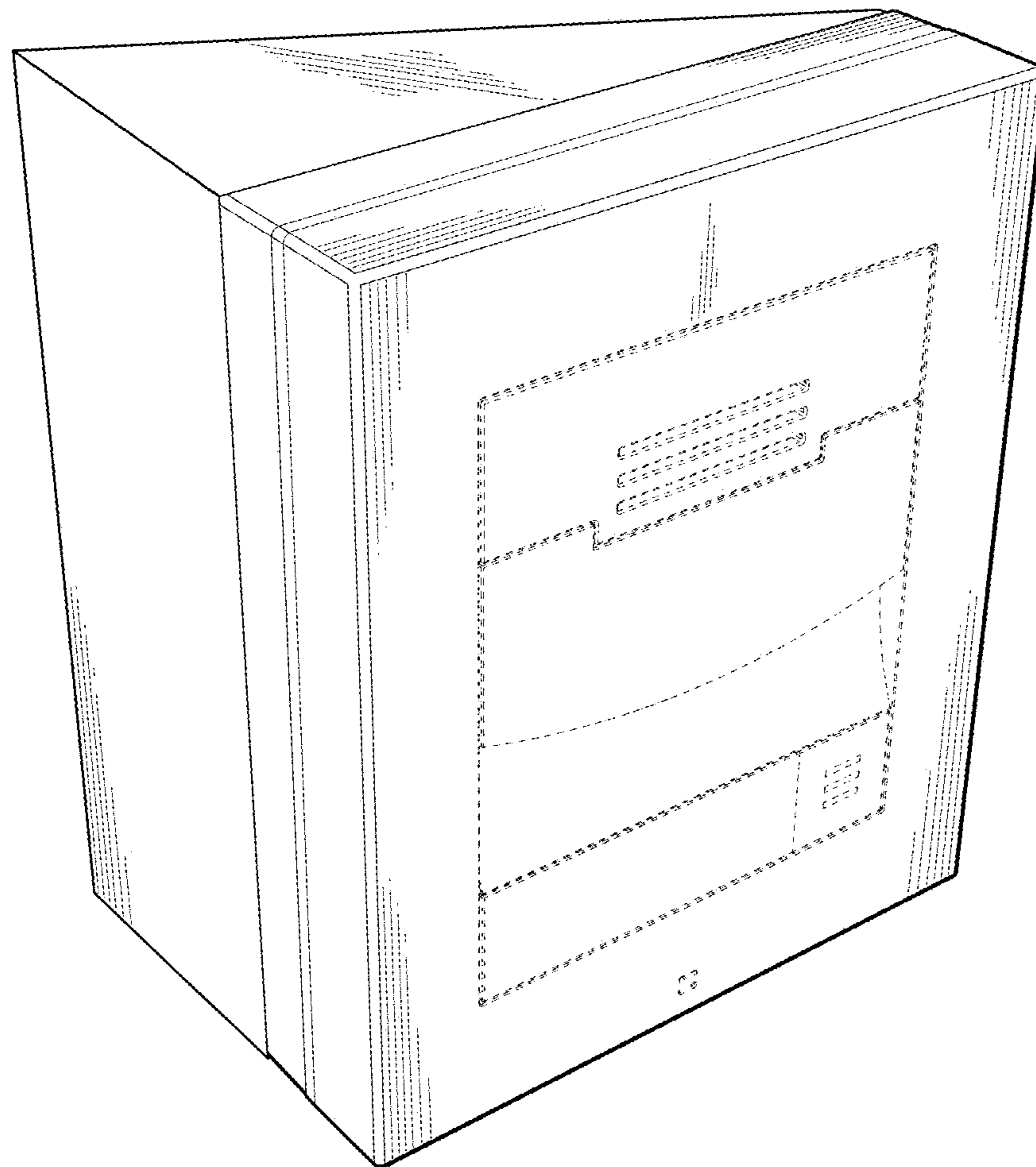


Fig. 1

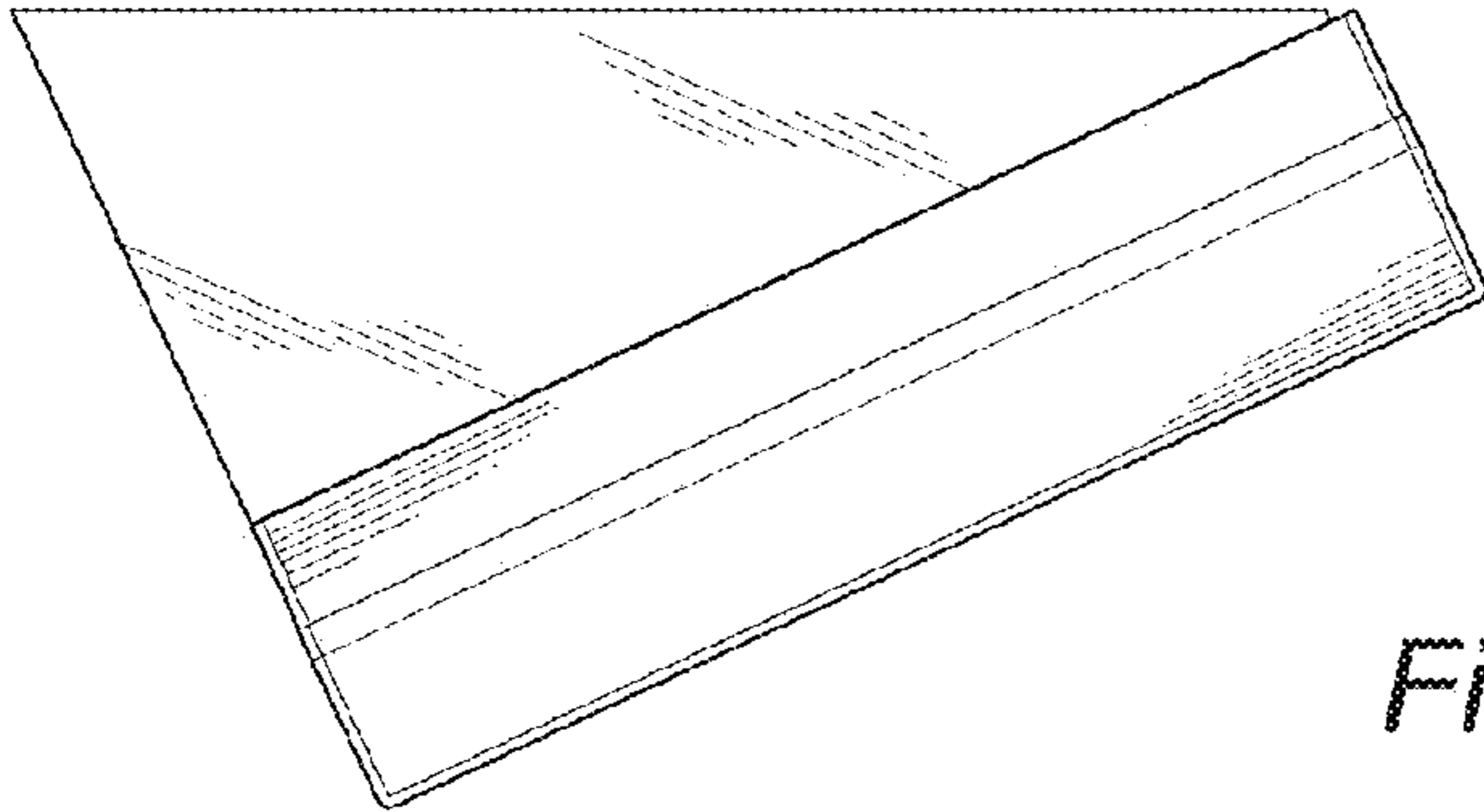


Fig. 2

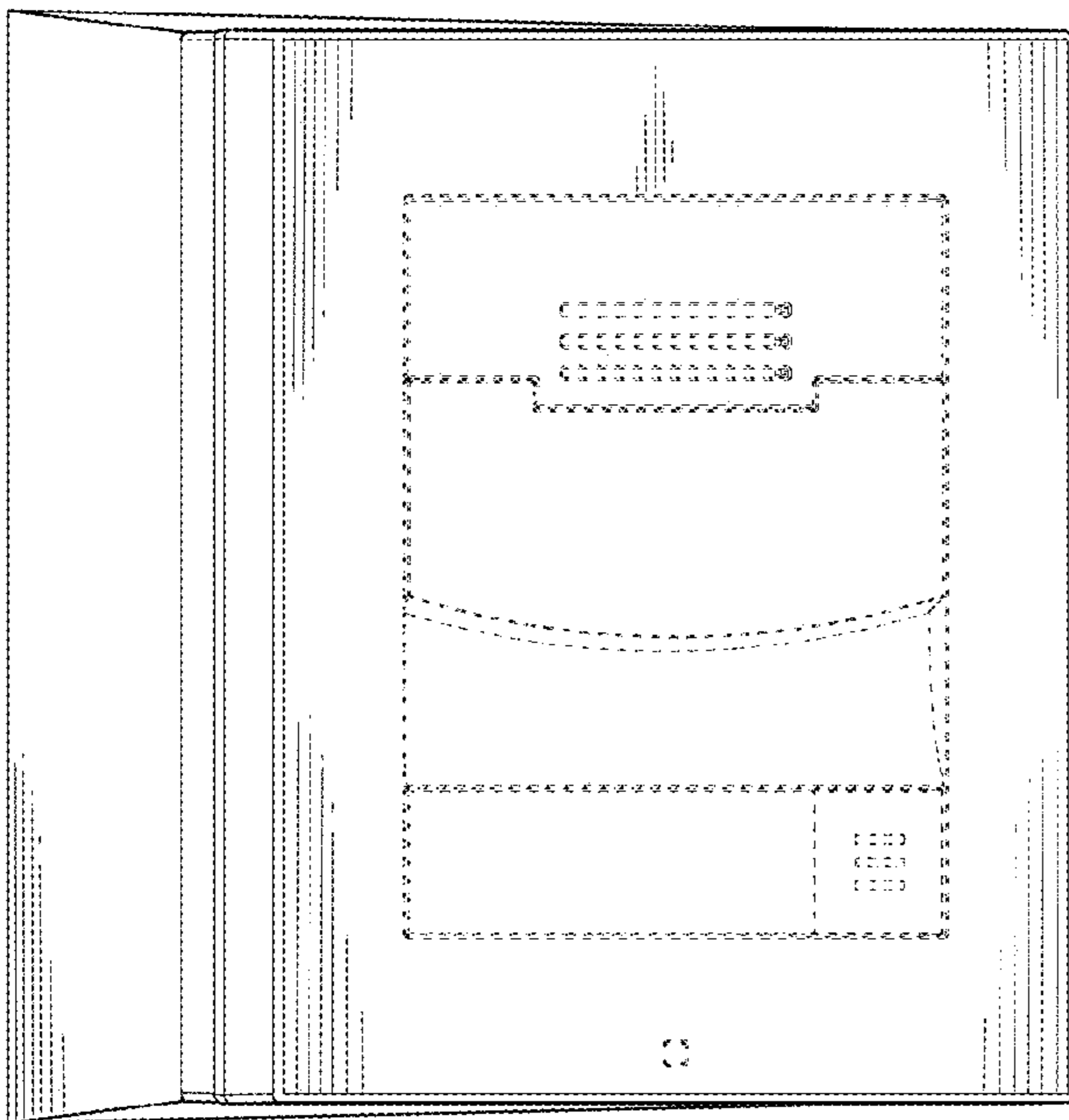


Fig. 3

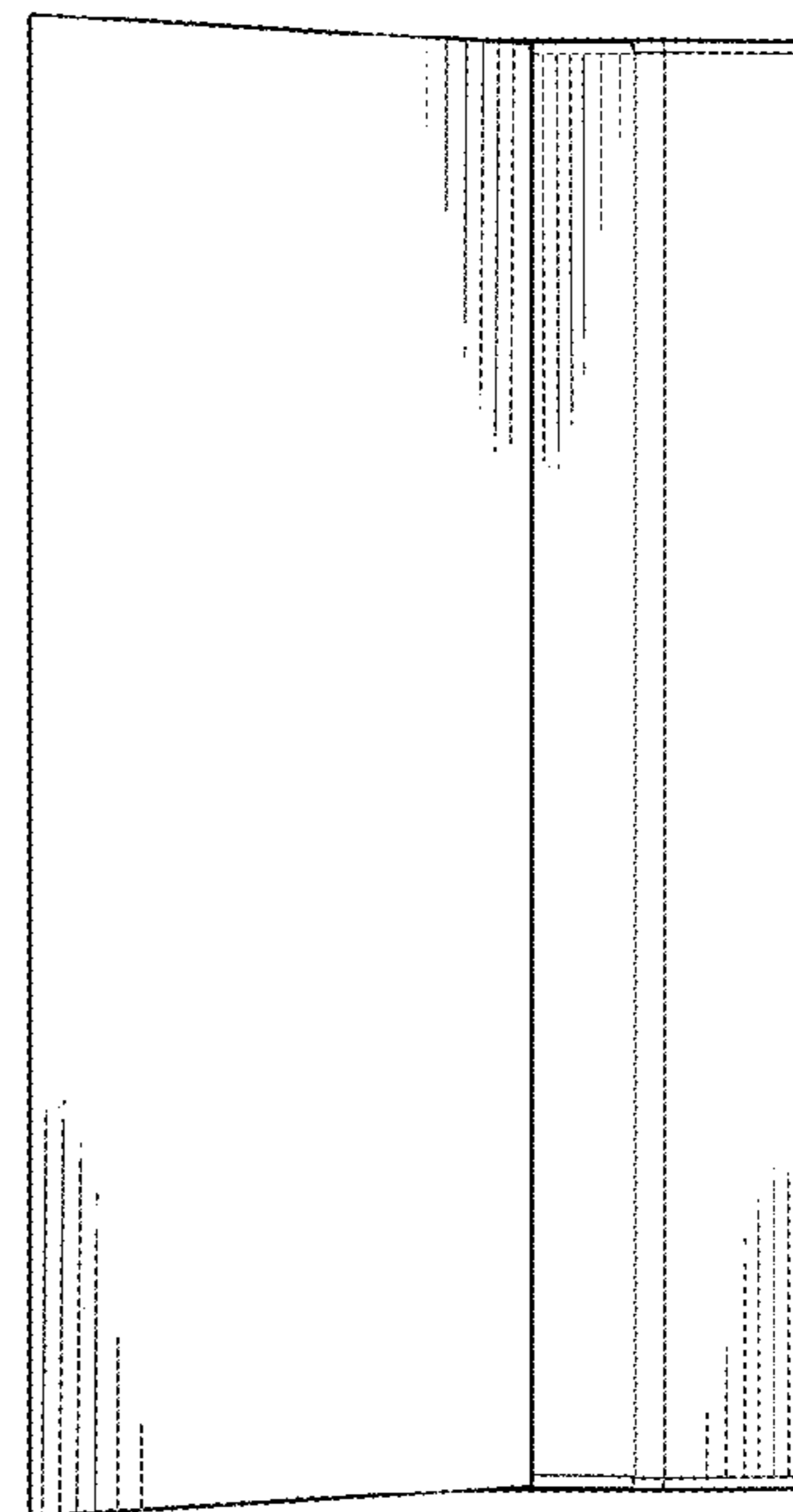


Fig. 4

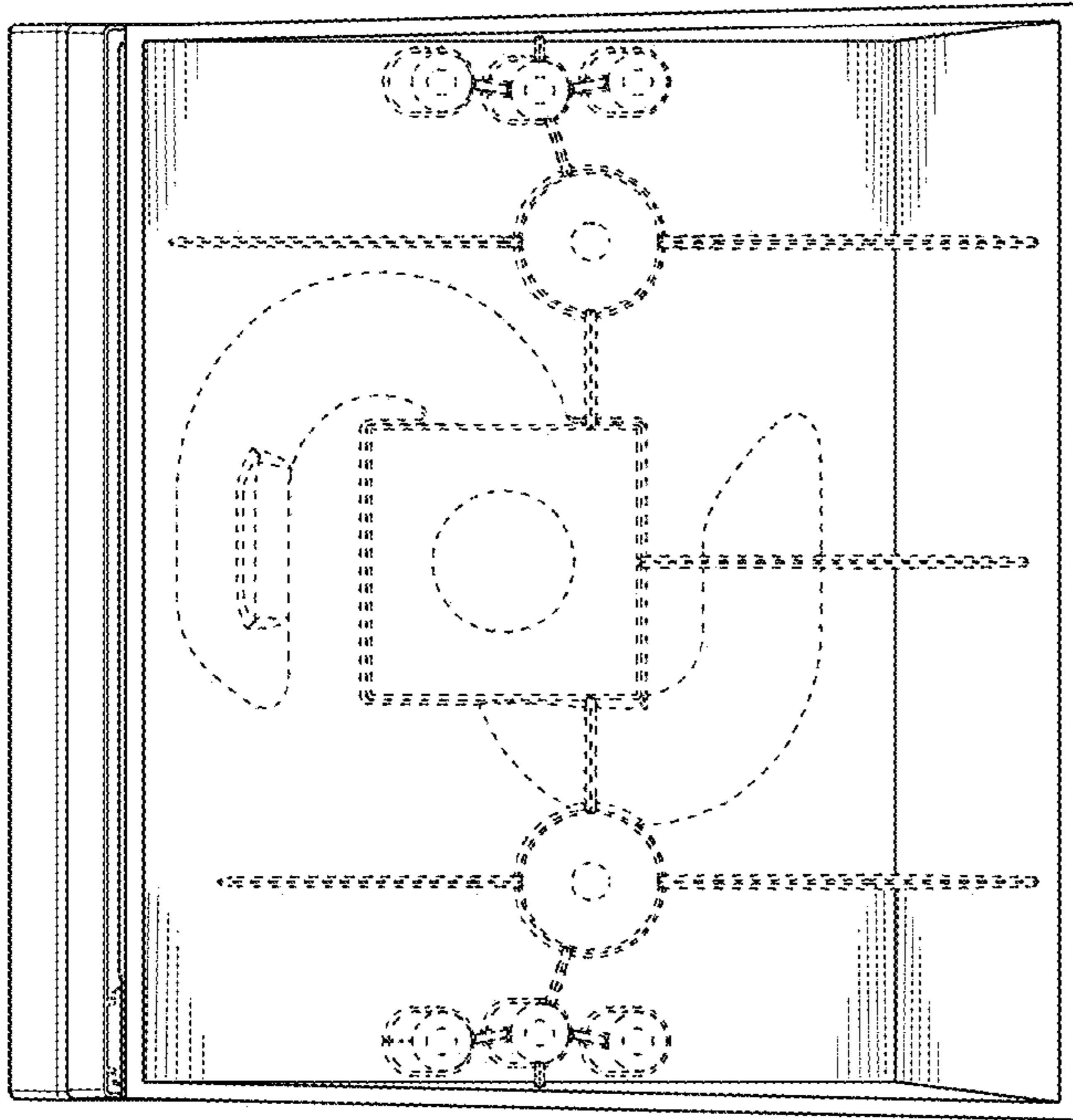


Fig. 5

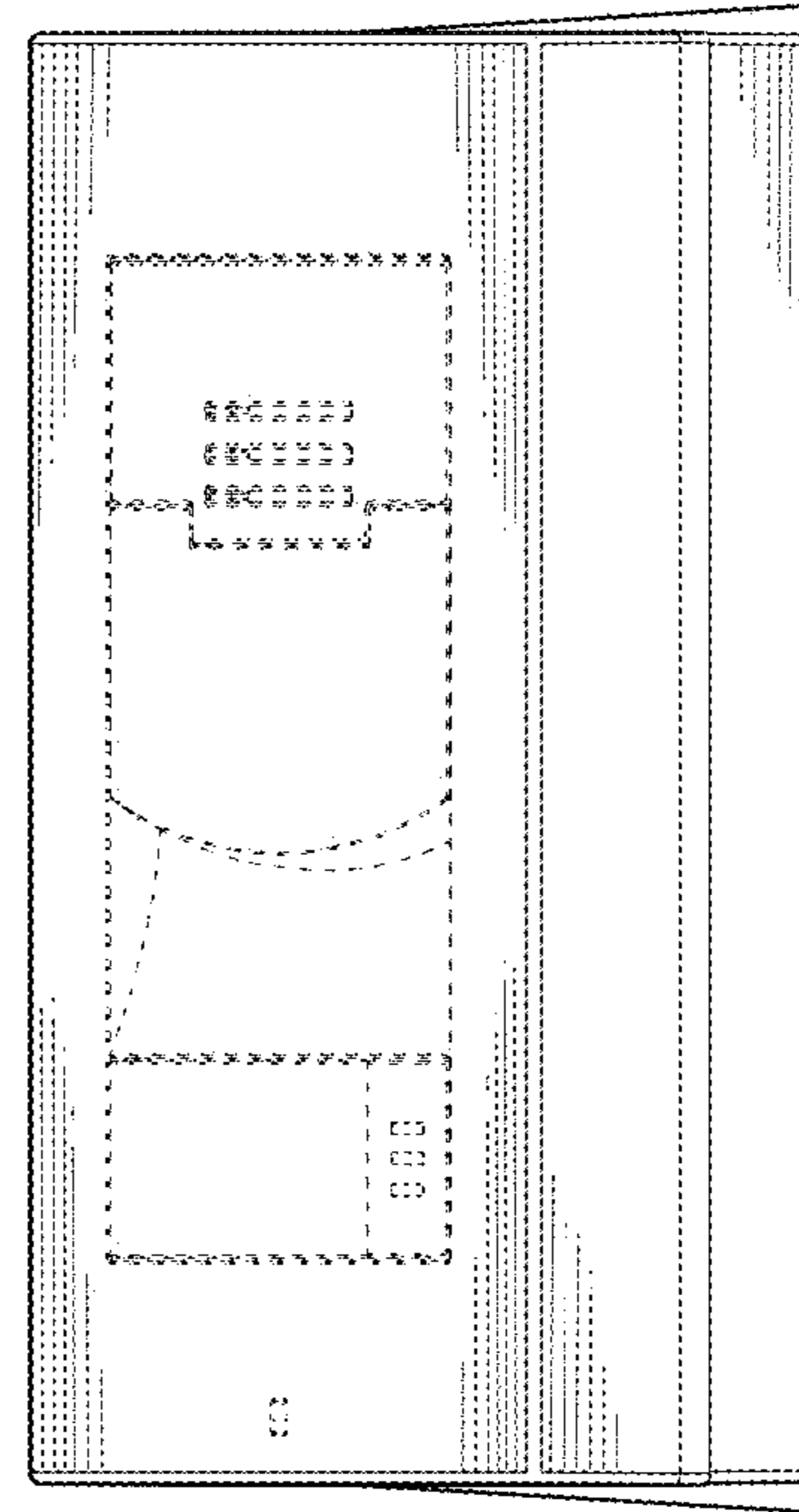


Fig. 6

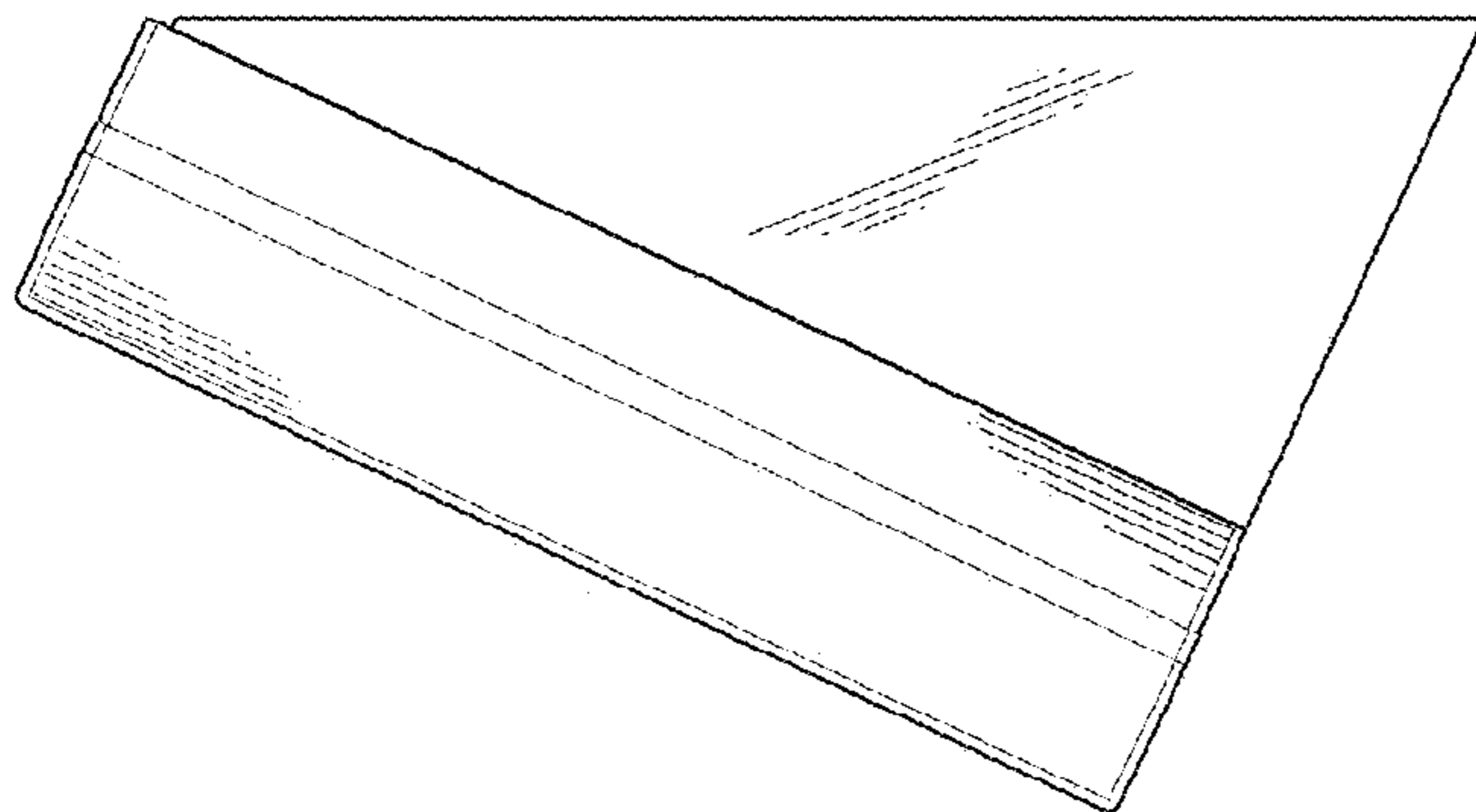


Fig. 7