



US00D926717S

(12) **United States Design Patent**
Hong

(10) **Patent No.:** **US D926,717 S**

(45) **Date of Patent:** **** Aug. 3, 2021**

(54) **WALKIE TALKIE**

(71) Applicant: **Shuzhi Hong**, Fujian (CN)

(72) Inventor: **Shuzhi Hong**, Fujian (CN)

(**) Term: **15 Years**

(21) Appl. No.: **29/682,013**

(22) Filed: **Mar. 1, 2019**

(30) **Foreign Application Priority Data**

Nov. 23, 2018 (CN) 201830671006.0

(51) **LOC (13) Cl.** **14-03**

(52) **U.S. Cl.**

USPC **D14/137**

(58) **Field of Classification Search**

USPC D14/137, 138 AA, 147, 148, 218, 155,
D14/159, 142, 225, 226, 191, 203.3,
D14/203.7, 203.1, 203.5, 188, 192,
D14/194-198, 214, 219, 221, 172, 167;
D21/517, 566, 324, 329, 331; D10/104.1,
D10/104.2, 106.1, 65, 78; D13/168;
D30/199

CPC H04B 1/3833; H04B 1/3827; H04B
2001/3861; H04M 1/233; G08B 21/0202

See application file for complete search history.

(56) **References Cited**

U.S. PATENT DOCUMENTS

D262,965 S * 2/1982 Iwata D14/192
4,856,088 A * 8/1989 Oliwa G08B 5/225
455/349
D330,339 S * 10/1992 Roselle D10/106.6
D337,960 S * 8/1993 Yuen D10/106.1
5,289,163 A * 2/1994 Perez G08B 21/0263
340/525
D355,385 S * 2/1995 Abrams D14/159
5,442,337 A * 8/1995 Hwang G01R 15/125
340/635

D392,202 S * 3/1998 Nitzberg D10/106.1
5,920,188 A * 7/1999 Voorheis G01R 15/12
324/110
6,167,843 B1 * 1/2001 Kim A01K 15/021
119/720
6,226,229 B1 * 5/2001 Dinardo A01K 15/02
119/712

(Continued)

FOREIGN PATENT DOCUMENTS

CN 303181281 * 4/2015
CN 305037174 * 2/2019

(Continued)

OTHER PUBLICATIONS

Retevis RB19 Walkie Talkies . . . , posted on Amazon.com, first available May 9, 2020, [online], [site visited May 8, 2021]. Internet URL: https://www.amazon.com/Retevis-Business-Rechargeable-Ultra-Slim-Commercial/dp/B088DBPXN2?ref_=ast_sto_dp (Year: 2020).*

(Continued)

Primary Examiner — Jeffrey D Asch

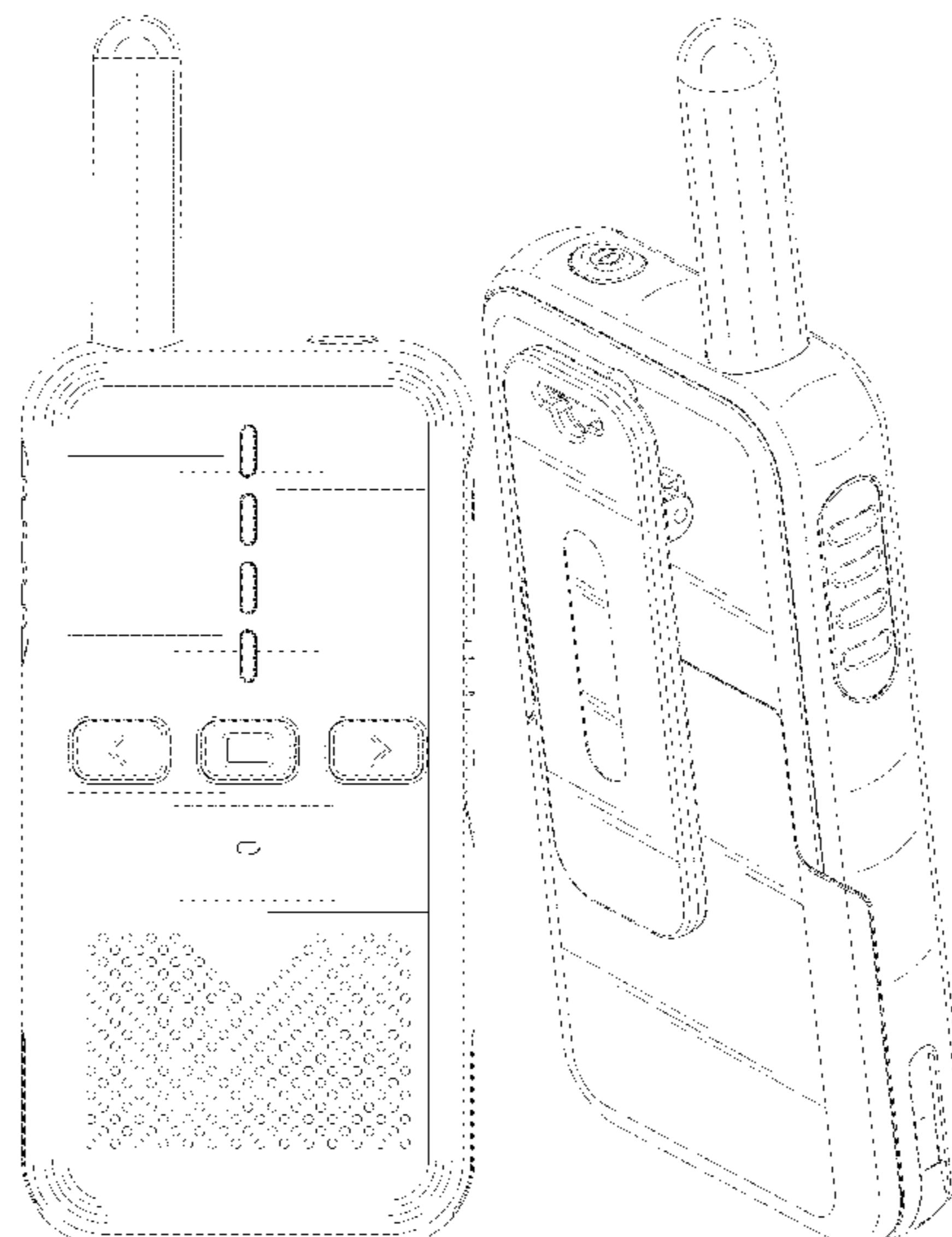
(57) **CLAIM**

The ornamental design for a walkie talkie, as shown.

DESCRIPTION

FIG. 1 is a front elevational view of a walkie talkie showing my new design;
FIG. 2 is a rear elevational view thereof;
FIG. 3 is a left side view thereof;
FIG. 4 is a right side view thereof;
FIG. 5 is a top plan view thereof;
FIG. 6 is a bottom plan view thereof;
FIG. 7 is a perspective view thereof; and,
FIG. 8 is another perspective view thereof.

1 Claim, 8 Drawing Sheets



(56)

References Cited

U.S. PATENT DOCUMENTS

6,363,244 B1 * 3/2002 McGhee H04B 1/385
 379/450
 D497,618 S * 10/2004 Andre D14/203.7
 D539,252 S * 3/2007 Heath D14/137
 D585,315 S * 1/2009 Chang D10/78
 D592,635 S * 5/2009 Obata D14/167
 D596,155 S * 7/2009 Sakai D14/167
 D623,160 S * 9/2010 Garn D14/138 AA
 D627,380 S * 11/2010 Sheppard D16/202
 D630,388 S * 1/2011 Lai D30/199
 D635,120 S * 3/2011 Sakai D14/167
 D635,544 S * 4/2011 Nohara D14/167
 D637,174 S * 5/2011 Elkerbout D14/159
 D641,330 S * 7/2011 DuBois D14/137
 D651,584 S * 1/2012 Masee D14/159
 D723,007 S * 2/2015 Oh D14/218
 D740,782 S * 10/2015 Thomas D14/159
 D764,957 S * 8/2016 Bhattacharya D10/104.1
 D798,003 S * 9/2017 Dong D30/199
 D800,085 S * 10/2017 Shepher D14/138 R
 D810,042 S * 2/2018 Pazhoor D14/158
 D822,005 S * 7/2018 Goltche D14/218
 D851,528 S * 6/2019 Bruder D10/104.1
 D861,631 S * 10/2019 Gan D14/159
 D876,382 S * 2/2020 Hong D14/137
 D879,390 S * 3/2020 Cai D30/199

D914,630 S * 3/2021 Li D14/137
 2013/0305808 A1 * 11/2013 Yoo G01N 33/4972
 73/23.3
 2020/0133480 A1 * 4/2020 Heng H04W 52/027

FOREIGN PATENT DOCUMENTS

CN 305312178 * 8/2019
 CN 305312199 * 8/2019
 CN 305327007 * 8/2019
 CN 306391327 * 3/2021

OTHER PUBLICATIONS

WLN KD-C70 UHF Mini Handheld Intercom Walkie Talkie . . . ,
 posted on aliexpress.com, video available Mar. 19, 2020, [online],
 [site visited May 8, 2021]. Internet URL: <https://www.aliexpress.com/item/4000793540451.html> (Year: 2020).
 Mini WLN KD-C70E Walkie Talkie . . . , Alexnld.com, not post date
 given, [online], [site visited May 8, 2021]. Internet URL: <https://alexnld.com/product/mini-wln-kd-c70e-walkie-talkie-2w-16-ch-400-470mhz-uhf-handheld-two-way-radio-toy-comunicador-walkie-talkie/> (Year: 2021).
 FCC Certificated 2W Mini Walkie Talkie . . . , Brand: Daytech,
 Alibaba.com, not post date given, [online], [site visited May 5,
 2021]. Internet URL: https://www.alibaba.com/product-detail/FCC-Certificated-2W-Mini-Walkie-Talkie_1600132217475.html?spm=a2700.galleryofferlist.normal_offer.d_title.23d5547508ojx2 (Year: 2021).*

* cited by examiner

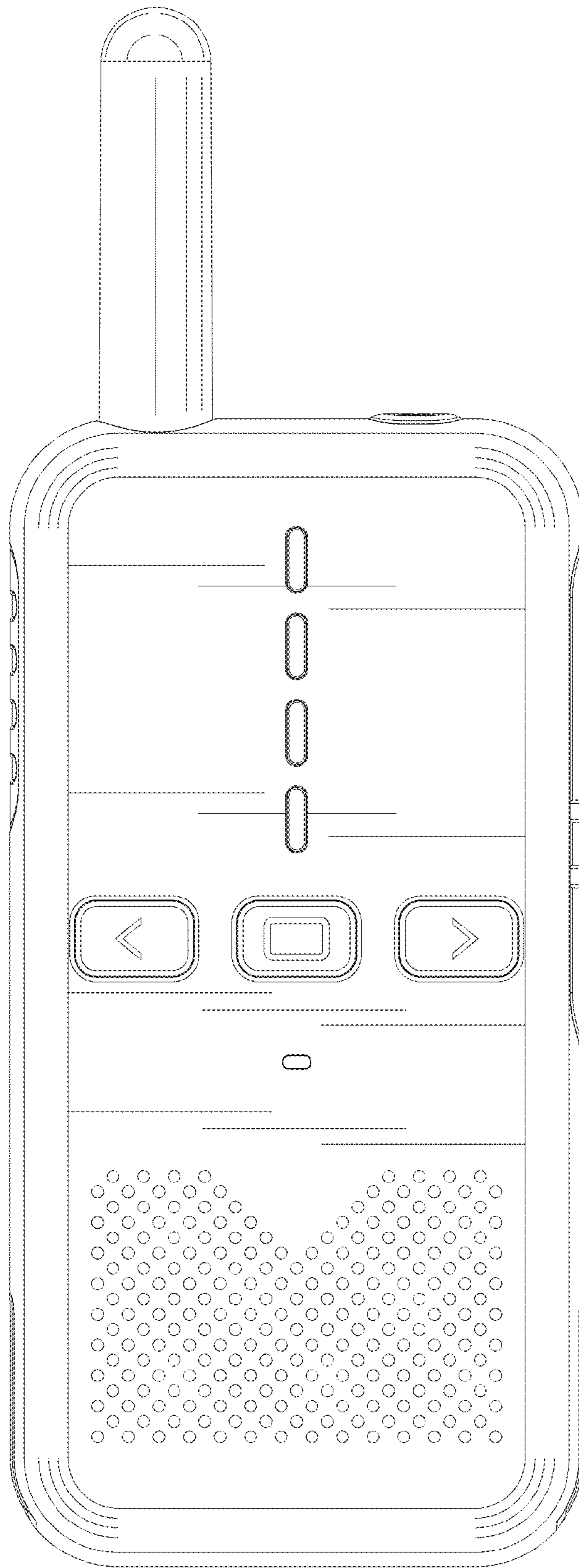


Fig. 1

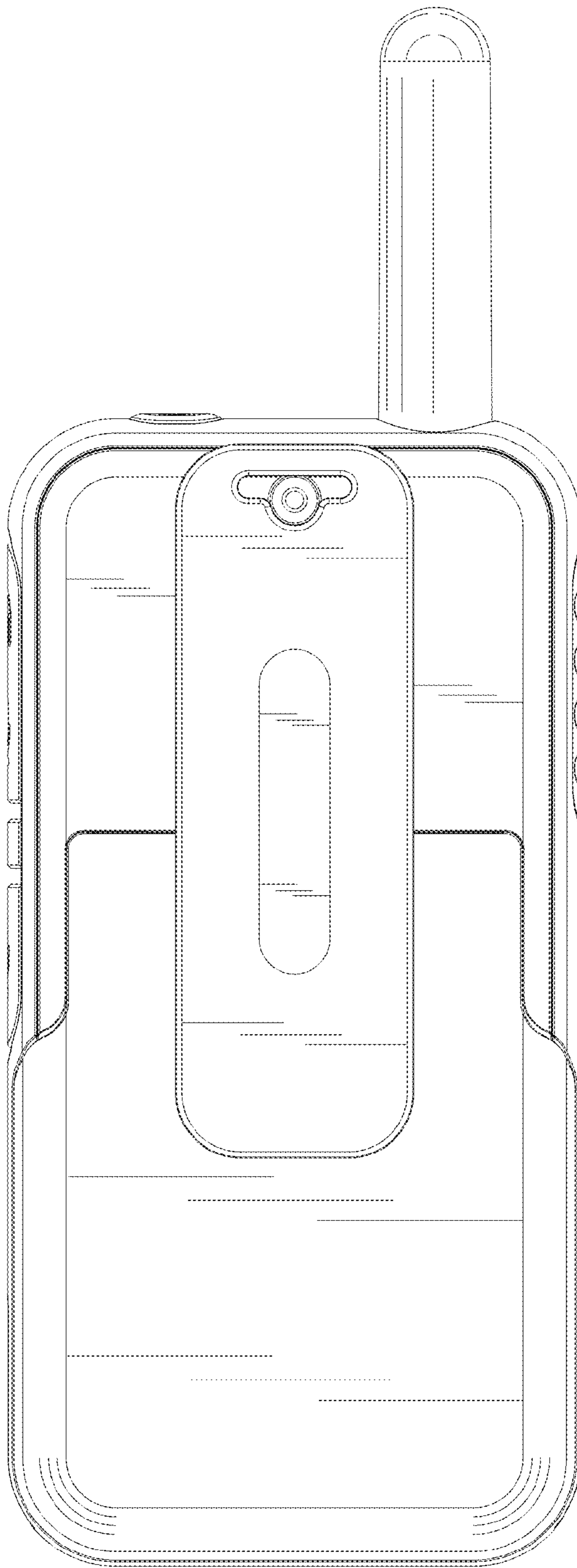


Fig. 2

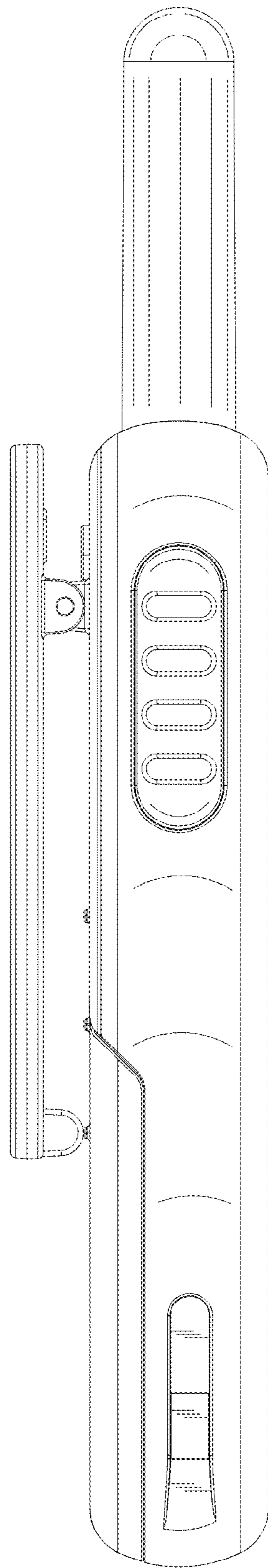


Fig. 3

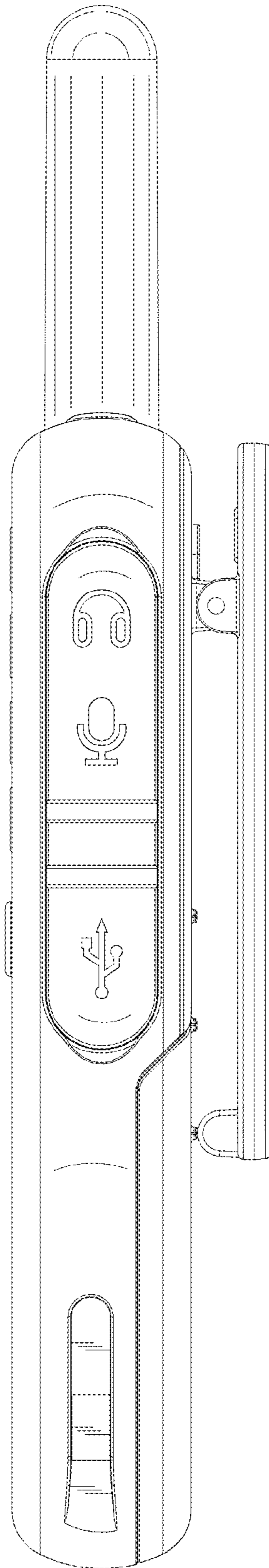


Fig. 4

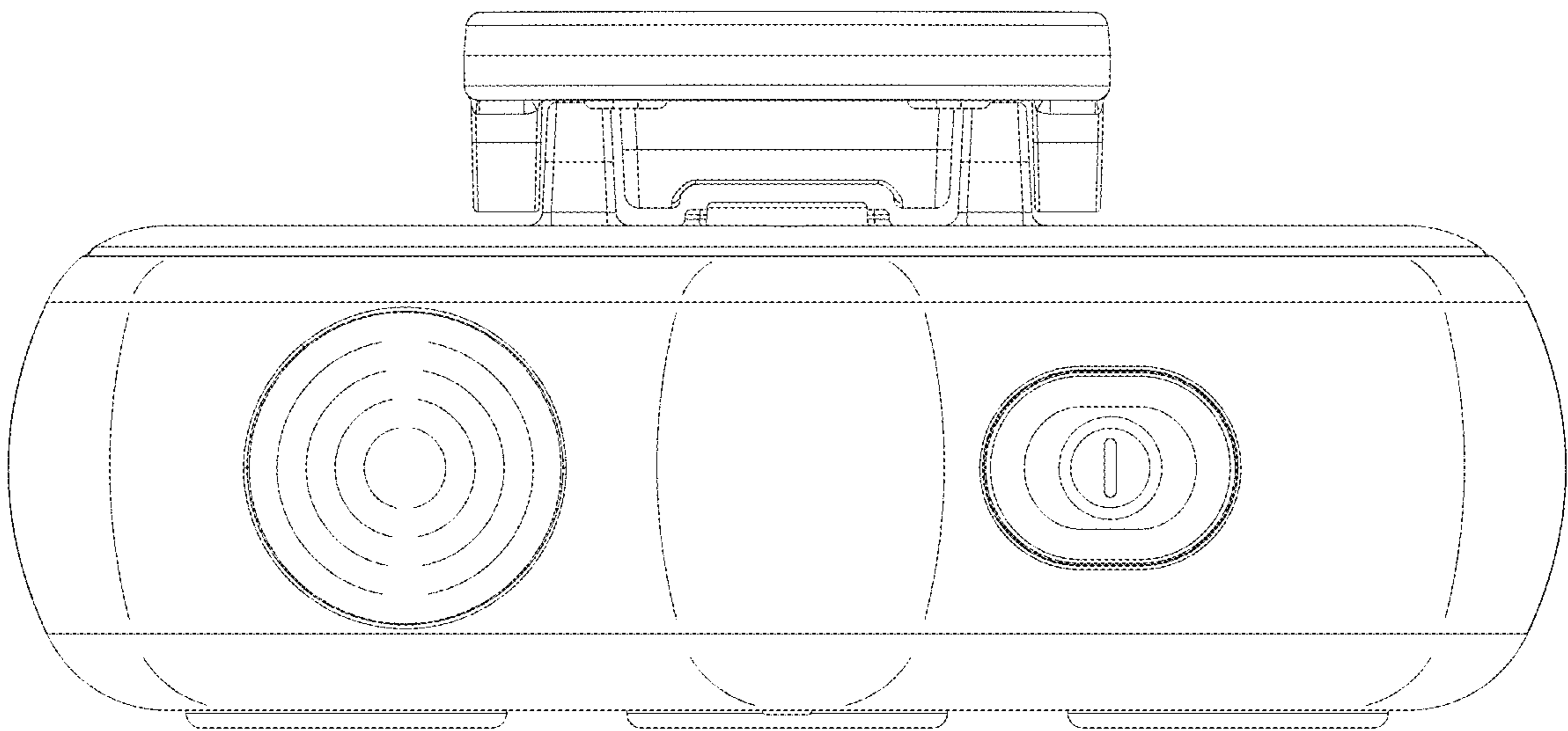


Fig. 5

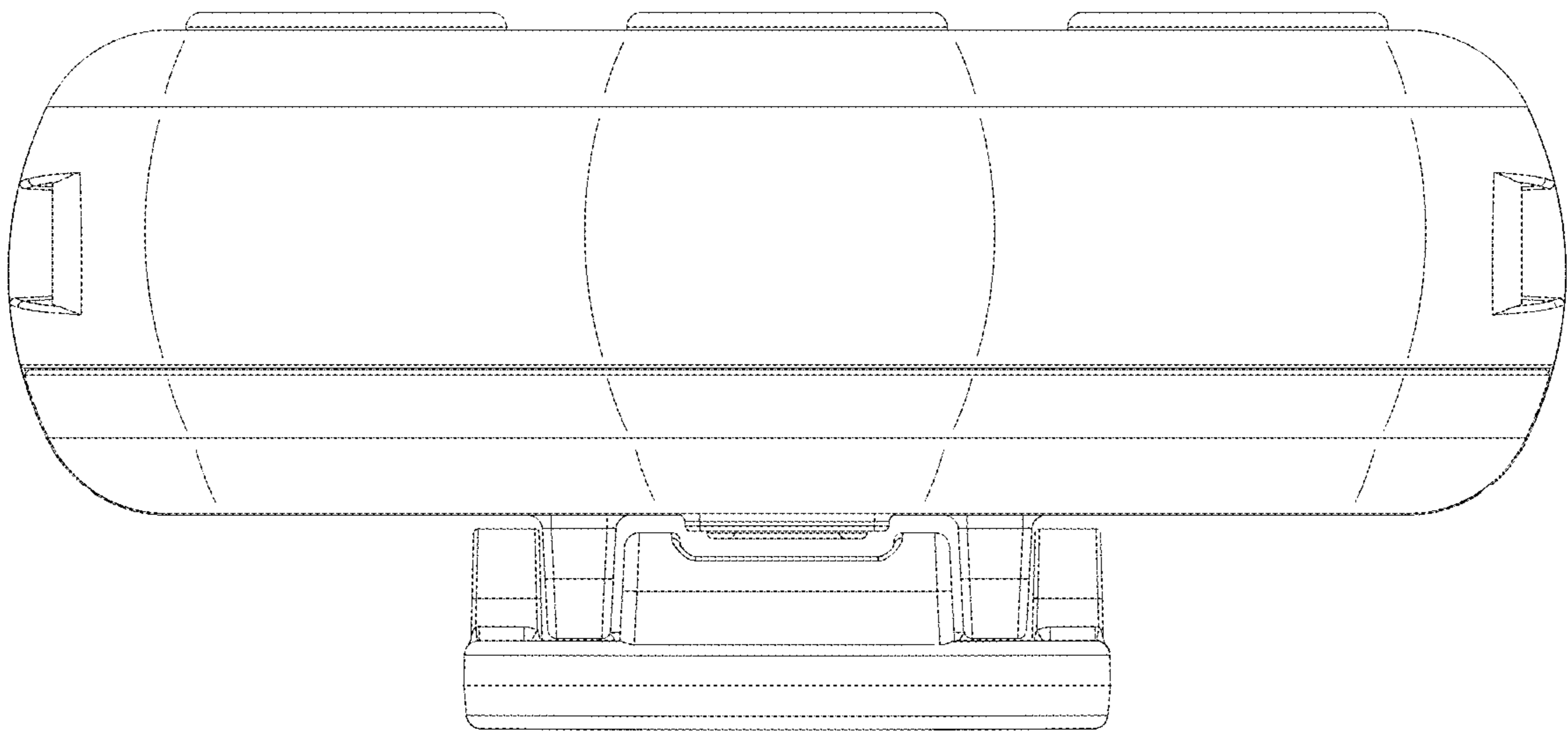


Fig. 6

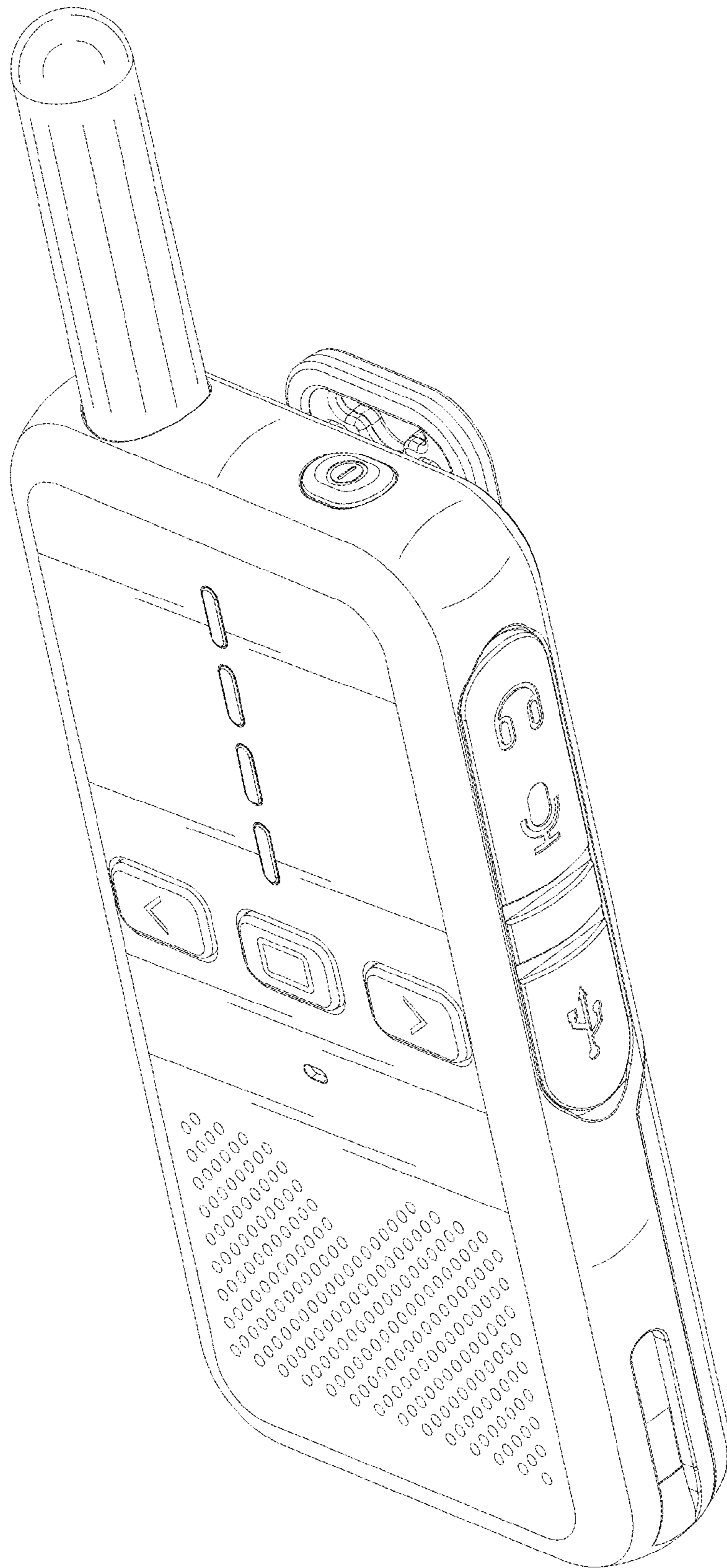


Fig. 7

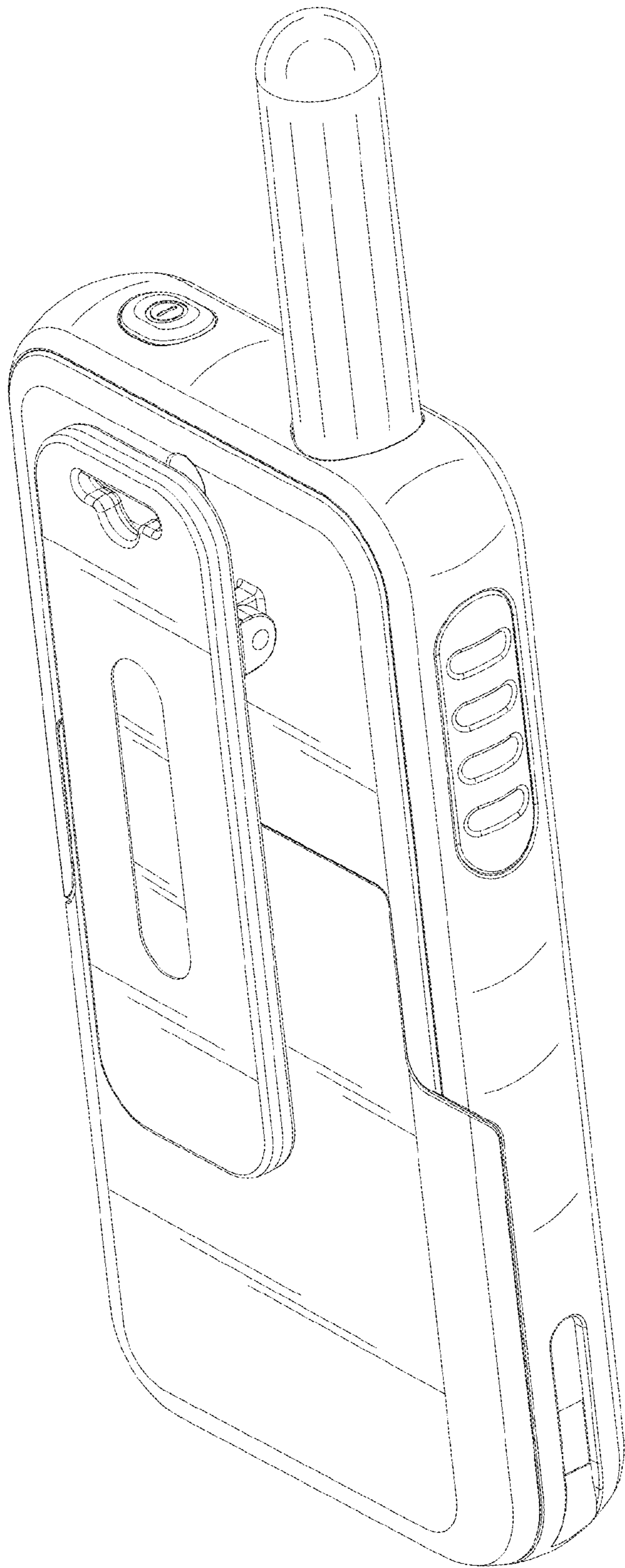


Fig. 8