



US00D926712S

(12) **United States Design Patent** (10) **Patent No.:** **US D926,712 S**  
**Dimberg et al.** (45) **Date of Patent:** **\*\* \*Aug. 3, 2021**

(54) **CONTROL DEVICE**

(71) Applicant: **Lutron Technology Company LLC**,  
Coopersburg, PA (US)

(72) Inventors: **Chris Dimberg**, Easton, PA (US);  
**Jason C. Killo**, Emmaus, PA (US);  
**Noel Mayo**, Philadelphia, PA (US);  
**Matthew Philip McDonald**,  
Phoenixville, PA (US)

(73) Assignee: **Lutron Technology Company LLC**,  
Coopersburg, PA (US)

(\*) Notice: This patent is subject to a terminal disclaimer.

(\*\*) Term: **15 Years**

(21) Appl. No.: **29/743,398**

(22) Filed: **Jul. 21, 2020**

**Related U.S. Application Data**

(63) Continuation of application No. 29/697,938, filed on Jul. 12, 2019, now Pat. No. Des. 892,750.

(51) **LOC (13) Cl.** ..... **13-03**

(52) **U.S. Cl.**  
USPC ..... **D13/171**; D13/174

(58) **Field of Classification Search**  
USPC .... 13/162, 168, 171, 173, 174; 14/487, 489;  
D10/104.1; D7/393; D8/310, 312  
CPC ..... H01H 3/12; H01H 3/122; H01H 9/02;  
H01H 9/16; H01H 9/18; H01H 9/181;  
H01H 9/182; H01H 13/023; H01H 13/04;  
H01H 13/06; H01H 13/14; H01H  
2009/187; H05B 39/02; H05B 39/04;  
H05B 39/085; H05B 39/086; H05B  
39/088; G08C 17/02; H03K 17/962  
See application file for complete search history.

(56) **References Cited**

U.S. PATENT DOCUMENTS

D199,922 S	12/1964	Schlage
4,499,630 A	2/1985	Harris et al.
D305,022 S	12/1989	Hallgren et al.
D362,841 S	10/1995	Roza
6,107,583 A	8/2000	Berfield
D441,346 S	5/2001	Bonn
D464,630 S	10/2002	Woodworth
D469,411 S	1/2003	Decosse
D515,516 S	2/2006	Mayo et al.
D558,692 S	1/2008	Neveu
D589,463 S	3/2009	Sykes
7,820,924 B2	10/2010	Stilley et al.
7,884,299 B2	2/2011	Glew
D645,005 S	9/2011	Menheere
D654,880 S	2/2012	Lam
D687,328 S	8/2013	Clymer et al.
D692,841 S	11/2013	Li et al.
8,786,196 B2	7/2014	Biery et al.

(Continued)

OTHER PUBLICATIONS

Legrand® / Pass & Seymour®, P&S Dimmers—DR Series Brochure, 2010, 2 pages.

(Continued)

*Primary Examiner* — Selina Sikder

(74) *Attorney, Agent, or Firm* — Saidman DesignLaw Group, LLC

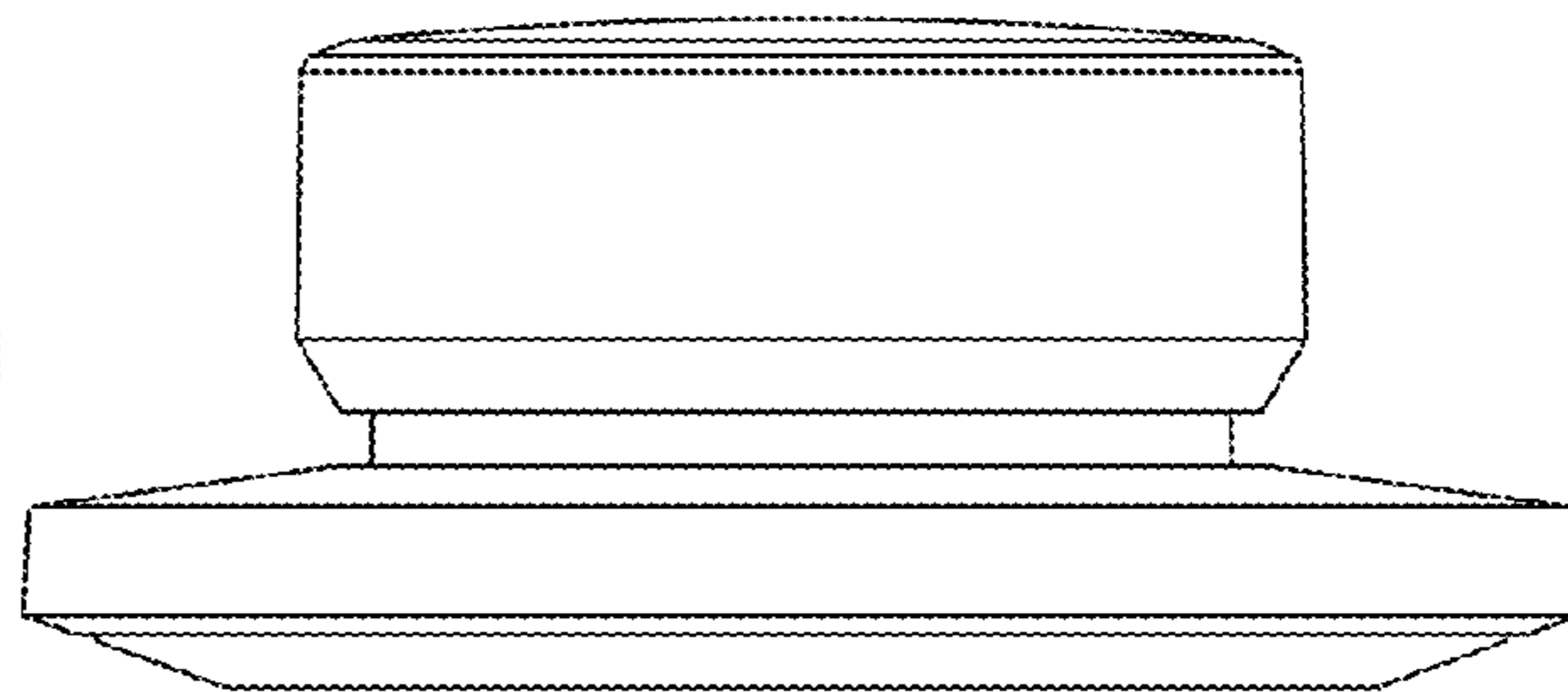
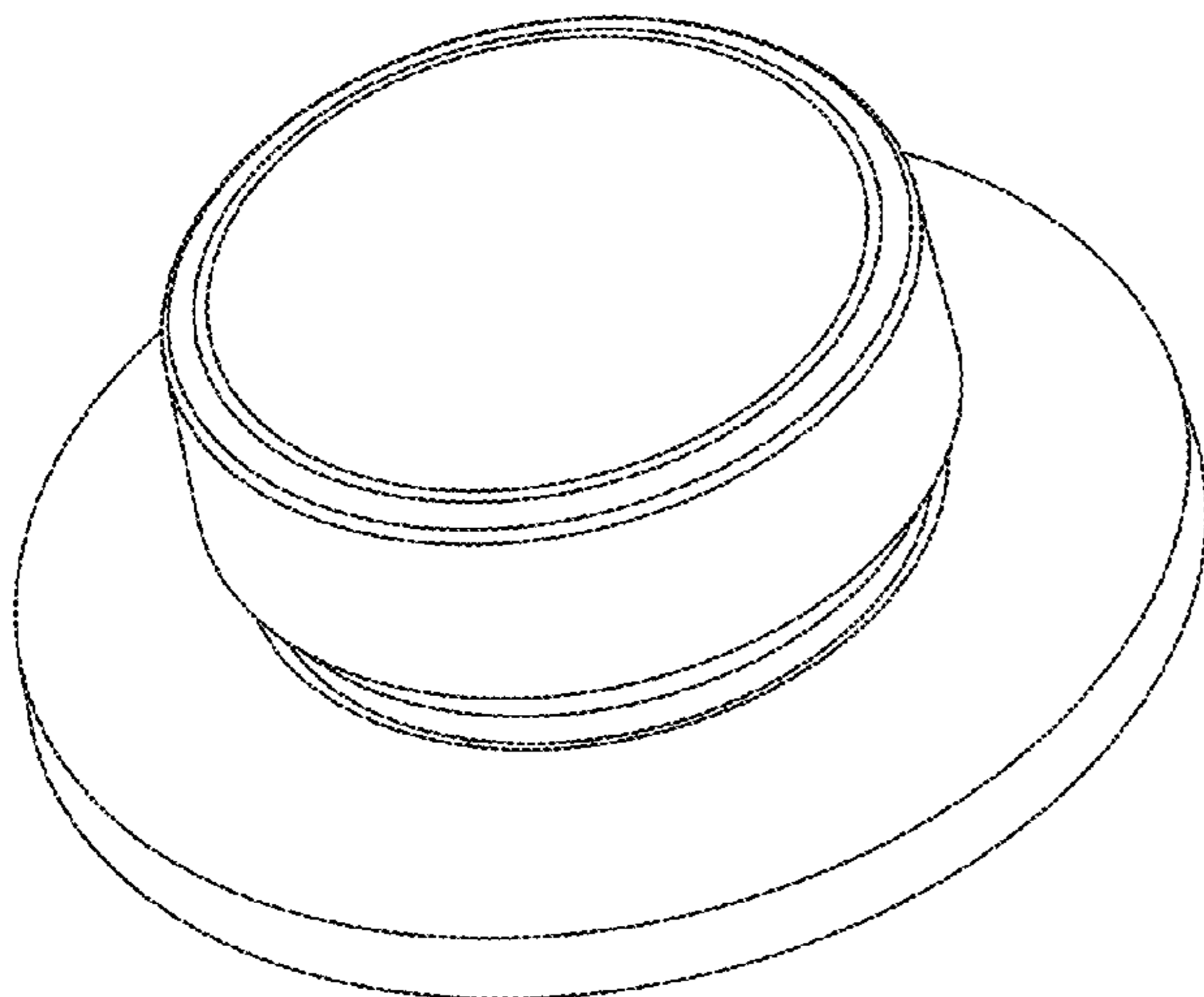
(57) **CLAIM**

The ornamental design for a control device, as shown and described.

**DESCRIPTION**

FIG. 1 is a front perspective view of a control device showing our new design; FIG. 2 is a front view thereof; and, FIG. 3 is a side view thereof.

**1 Claim, 2 Drawing Sheets**



(56)

References Cited

U.S. PATENT DOCUMENTS

D713,236 S 9/2014 Park  
 D719,007 S 12/2014 Bouthillier  
 D722,259 S 2/2015 Conner  
 D725,612 S 3/2015 Schlegel et al.  
 D748,648 S 2/2016 Kim et al.  
 D752,503 S 3/2016 Sethapun et al.  
 D755,037 S 5/2016 Czerwinski, Jr. et al.  
 9,337,943 B2 5/2016 Mosebrook et al.  
 D761,277 S 7/2016 Harvell  
 D762,716 S 8/2016 Yang et al.  
 D763,308 S 8/2016 Wang et al.  
 D766,844 S 9/2016 Turksu et al.  
 9,538,619 B2 1/2017 Swatsky et al.  
 9,565,742 B2 2/2017 Swatsky et al.  
 9,633,557 B2 4/2017 Dimberg et al.  
 D786,932 S 5/2017 Kim et al.  
 D808,912 S 1/2018 Dimberg et al.  
 D814,428 S 4/2018 Dimberg et al.  
 D827,645 S 9/2018 Raken et al.  
 D837,168 S 1/2019 Altonen et al.  
 D837,169 S 1/2019 Altonen et al.  
 D839,847 S 2/2019 Dimbercy et al.  
 D846,508 S 4/2019 Dimberg et al.  
 D868,009 S 11/2019 Dimberg et al.  
 D868,010 S 11/2019 Bard et al.  
 D878,309 S 3/2020 Altonen et al.  
 D878,310 S 3/2020 Dimberg et al.  
 D879,055 S 3/2020 Altonen et al.  
 D892,750 S \* 8/2020 Dimberg ..... D13/171  
 D909,467 S \* 2/2021 McElhenny ..... D17/99  
 2007/0057922 A1 3/2007 Schultz et al.  
 2007/0102275 A1 5/2007 Genz et al.  
 2007/0193867 A1 8/2007 Lorenzo Riera et al.  
 2010/0175971 A1 7/2010 Kim et al.  
 2012/0240472 A1 9/2012 Bouthillier  
 2013/0328500 A1 12/2013 Toda  
 2014/0042002 A1 2/2014 Chu

2014/0117871 A1 5/2014 Swatsky et al.  
 2015/0371534 A1 12/2015 Dimberg et al.  
 2017/0278383 A1 9/2017 Dimberg et al.  
 2017/0280533 A1 9/2017 Dimberg et al.  
 2017/0352506 A1 12/2017 Dimberg  
 2017/0354012 A1 12/2017 Bard et al.  
 2017/0354021 A1 12/2017 Dimberg et al.  
 2017/0354022 A1 12/2017 Dimberg et al.  
 2017/0354023 A1 12/2017 Dimberg et al.  
 2018/0005742 A1 1/2018 Newman, Jr. et al.  
 2018/0116039 A1 4/2018 Harte et al.

OTHER PUBLICATIONS

Legrand®, Dimmers Brochure, 2015, 18 pages.  
 Lumenpulse™, Lumentone™ Specification Sheet, 2013, 4 pages.  
 Lumenpulse™, Lumentone™ Installation Instructions, 2013, 1 page.  
 Lumenpulse™, Lumentone™ Quick Reference Guide, 2015, 3 pages.  
 Electronic Theatre Controls, Inc., Echo Inspirer© Station Programming Guide, Software Version 2.0.1, Feb. 2015, 44 pages.  
 Electronic Theatre Controls, Inc., Echo Inspire© Control Stations, <URL:https://www.etconnect.com/Products/Architectural-Systems/Echo/Control-Stations/Inspire-Control-Stations/Features.aspx>, available from Internet at least as early as Jul. 15, 2014 [site visited May 9, 2018].  
 Electronic Theatre Controls, Inc., Echo Inspire© Control Station: 4-Button with Fader Knob, photograph taken on May 8, 2018.  
 Thermo-Floor ISE 2019-Z--Wave Alliance; before Dec. 31, 2019; 3 pages; https://z-wavealliance.org/thermo-floor-launches-worlds-firsts-at-ise-2019/.  
 ZigBee Dimmer Switch; before Dec. 31, 2019; 3 pages; https://zigbeealliance.org/zigbee\_products/zigbee-dimmer-switch/.  
 U.S. Appl. No. 62/345,449, filed Jun. 3, 2016 (unpublished).  
 U.S. Appl. No. 62/345,222, filed Jun. 3, 2016 (unpublished).  
 U.S. Appl. No. 29/597,335, filed Mar. 16, 2017 (unpublished).  
 U.S. Appl. No. 29/697,939, filed Jul. 12, 2019 (unpublished).

\* cited by examiner

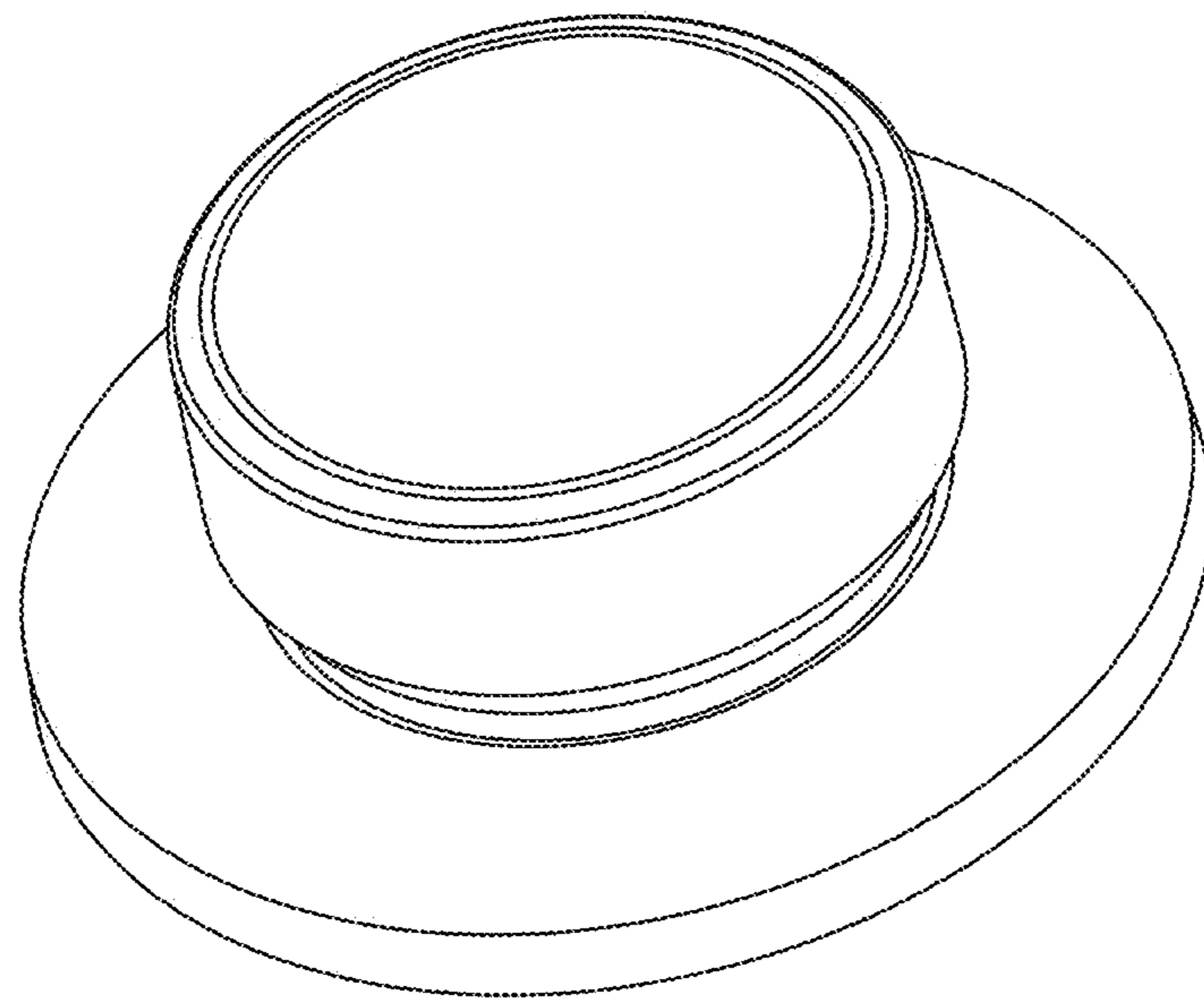


FIG. 1

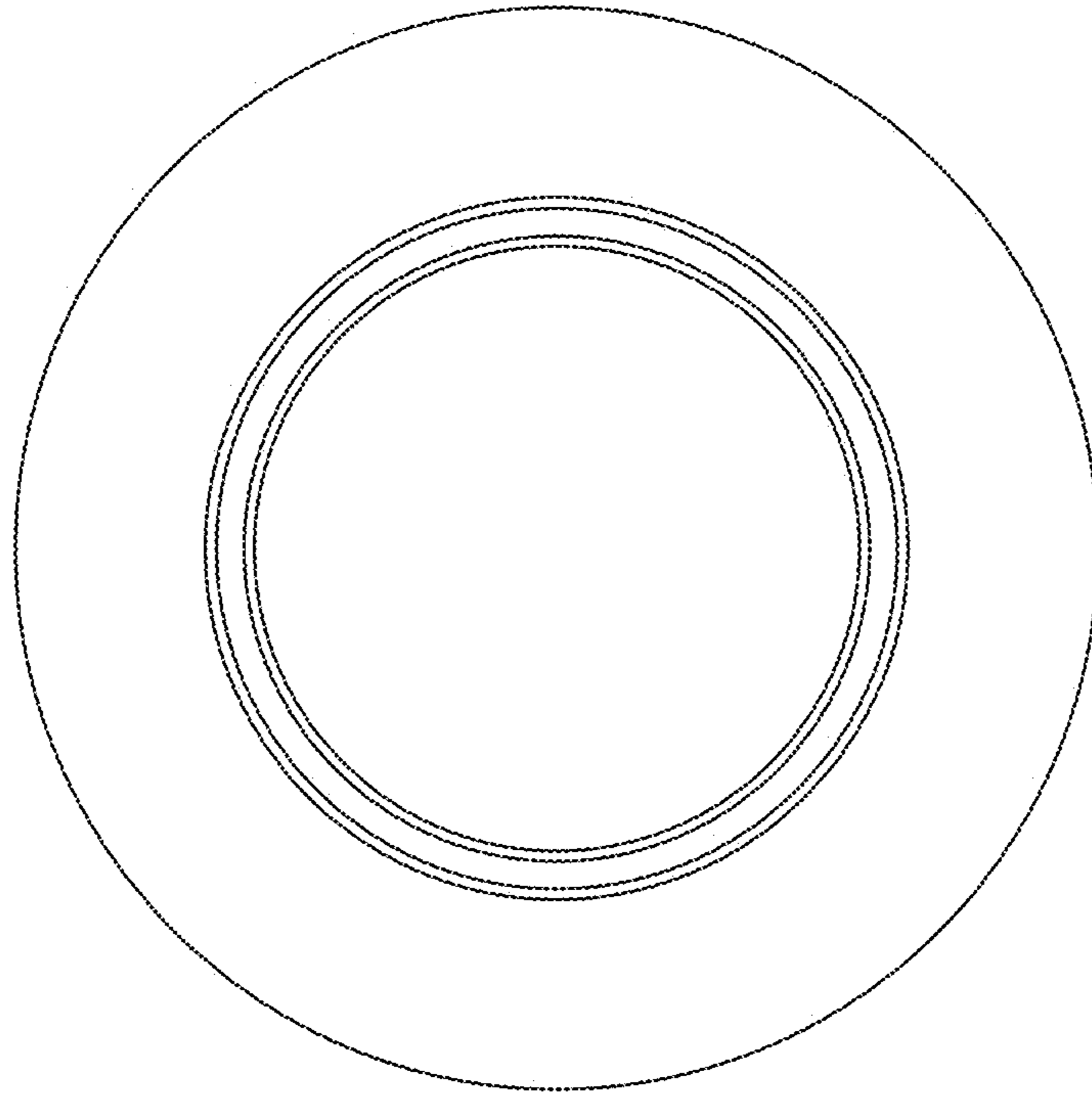


FIG. 2

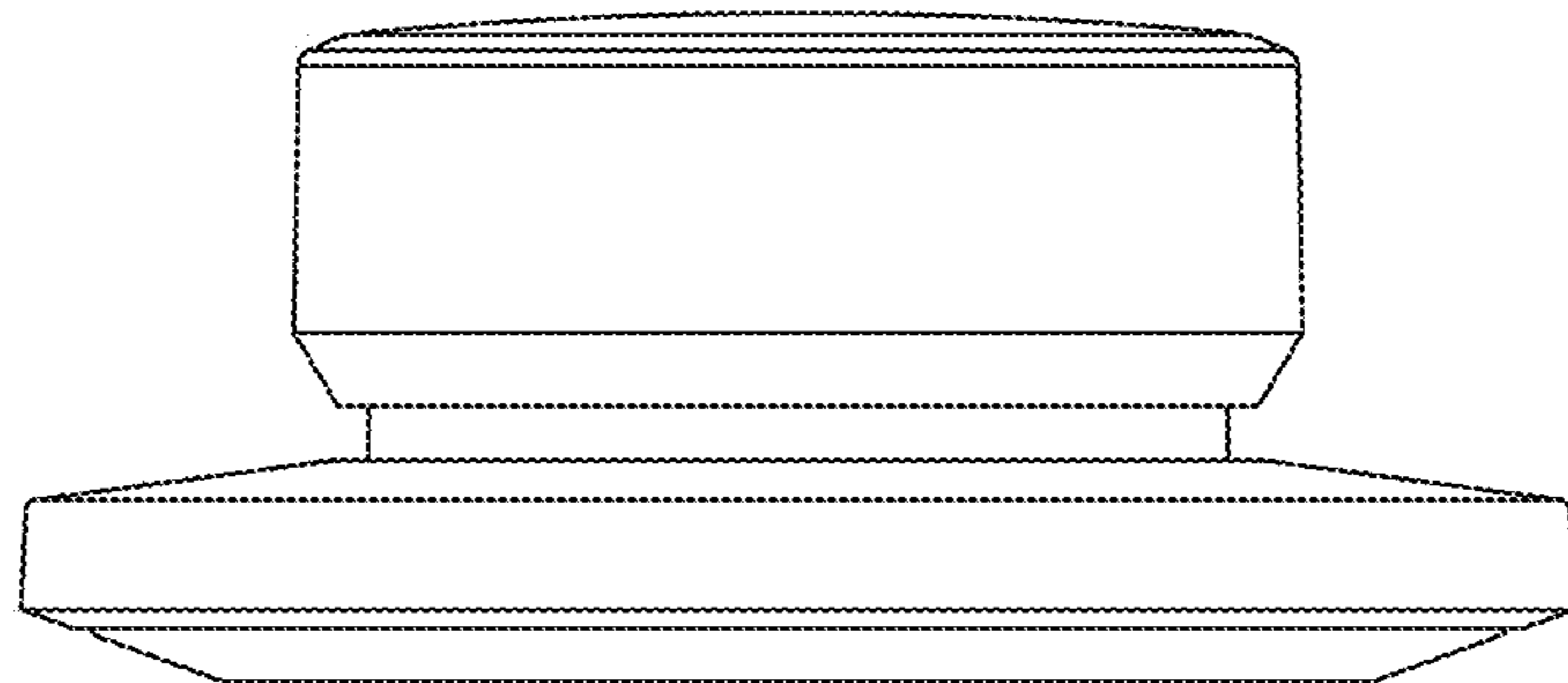


FIG. 3

UNITED STATES PATENT AND TRADEMARK OFFICE  
**CERTIFICATE OF CORRECTION**

PATENT NO. : D926,712 S  
APPLICATION NO. : 29/743398  
DATED : August 3, 2021  
INVENTOR(S) : Chris Dimberg et al.

Page 1 of 1

It is certified that error appears in the above-identified patent and that said Letters Patent is hereby corrected as shown below:

On the Title Page

Item (56) References Cited, Page 2, Column 2, under OTHER PUBLICATIONS, Line 6:

-Inspirer©-

Should be:

--Inspire©--.

Signed and Sealed this  
Twenty-first Day of September, 2021



Drew Hirshfeld  
*Performing the Functions and Duties of the  
Under Secretary of Commerce for Intellectual Property and  
Director of the United States Patent and Trademark Office*