



US00D926711S

(12) **United States Design Patent**
Tian et al.

(10) **Patent No.:** **US D926,711 S**

(45) **Date of Patent:** **** Aug. 3, 2021**

(54) **CONTROLLER FOR CONTENT EDITING**

D778,879 S * 2/2017 Olivar D14/218
D870,682 S * 12/2019 Lin D13/164
D893,677 S * 8/2020 Moy D23/233

(71) Applicant: **Hefei Tuwa Technology Co., Ltd.**,
Anhui (CN)

(72) Inventors: **Yu Tian**, Anhui (CN); **Liang Zhang**,
Anhui (CN); **Lei Xie**, Anhui (CN)

(73) Assignee: **Hefei Tuwa Technology Co., Ltd.**,
Anhui (CN)

(**) Term: **15 Years**

(21) Appl. No.: **29/755,071**

(22) Filed: **Oct. 16, 2020**

(51) **LOC (13) Cl.** **13-03**

(52) **U.S. Cl.**
USPC **D13/162**

(58) **Field of Classification Search**
USPC D13/110, 162, 168, 171, 177, 174;
D14/217, 218, 401; D21/333, 566;
D16/130

CPC H04B 1/202; H04B 1/205; H01H 9/02;
H01H 9/0214; H01H 9/0235; H01H
9/0242; G08C 17/00; G08C 17/02

See application file for complete search history.

(56) **References Cited**

U.S. PATENT DOCUMENTS

D414,748 S * 10/1999 Pierson D13/171
D449,292 S * 10/2001 Miyazaki D14/217
D551,660 S * 9/2007 Francz D14/218
D553,578 S * 10/2007 Virtanen D13/162
D623,649 S * 9/2010 Claussen D14/401
D626,517 S * 11/2010 Yano D13/168
D637,638 S * 5/2011 Noda D16/130
D638,045 S * 5/2011 Noda D16/130
D712,756 S * 9/2014 Rump D10/50
D736,184 S * 8/2015 Olivar D14/218

OTHER PUBLICATIONS

“TourBox—The Game Changer for Photoshop and Lightroom”,
first available Oct. 8, 2018, Kickstarter.com (<https://www.kickstarter.com/projects/470115464/tourbox-the-game-changer-for-photoshop-and-lightroom/description>) (Year: 2018).*

“TourBox—The Ultimate Controller for Photoshop and Lightroom”,
first published Oct. 24, 2018, Electronics-Lab.com (<https://www.electronics-lab.com/tourbox-ultimate-controller-photoshop-lightroom/>) (Year: 2018).*

(Continued)

Primary Examiner — Rosemary K Tarcza

Assistant Examiner — Seth David Kumpf

(74) *Attorney, Agent, or Firm* — Young Basile Hanlon &
MacFarlane, P.C.

(57) **CLAIM**

The ornamental design for a controller for content editing, as
shown and described.

DESCRIPTION

FIG. 1 is a bottom, front, and right perspective view of the
controller showing our new design.

FIG. 2 is a front view of the controller of FIG. 1.

FIG. 3 is a right side view of the controller of FIG. 1.

FIG. 4 is a left side view of the controller of FIG. 1.

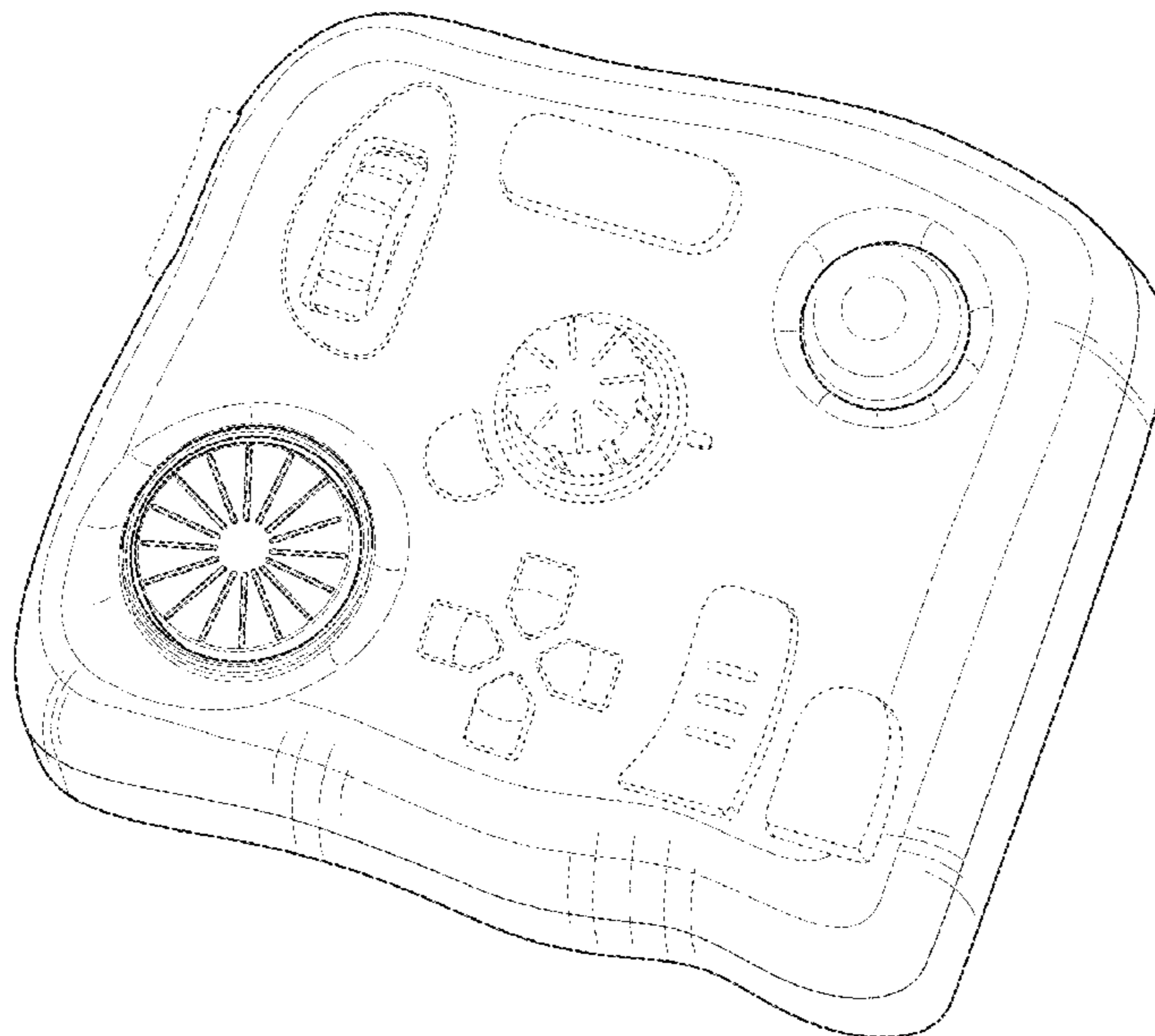
FIG. 5 is a top view of the controller of FIG. 1.

FIG. 6 is a bottom view of the controller of FIG. 1; and,

FIG. 7 is a rear view of the controller of FIG. 1.

The ornamental design that is claimed is shown in solid lines
in the drawings. The broken lines shown in FIGS. 1-7
illustrate portions of the controller for content editing that
form no part of the claimed design. The shade lines in the
figures show contour, not surface ornamentation and form
no part of the claimed design.

1 Claim, 5 Drawing Sheets



(56)

References Cited

OTHER PUBLICATIONS

“Tourbox Photo and Video Editing Console”, first available Aug. 21, 2019, Amazon.com (https://www.amazon.com/Advanced-Controller-Customized-Photoshop-Lightroom/dp/B07WRQY7ZW/ref=as_li_ss_tl?dchild=1&keywords=tourbox&q%3F%3A6) (Year: 2019).*

* cited by examiner

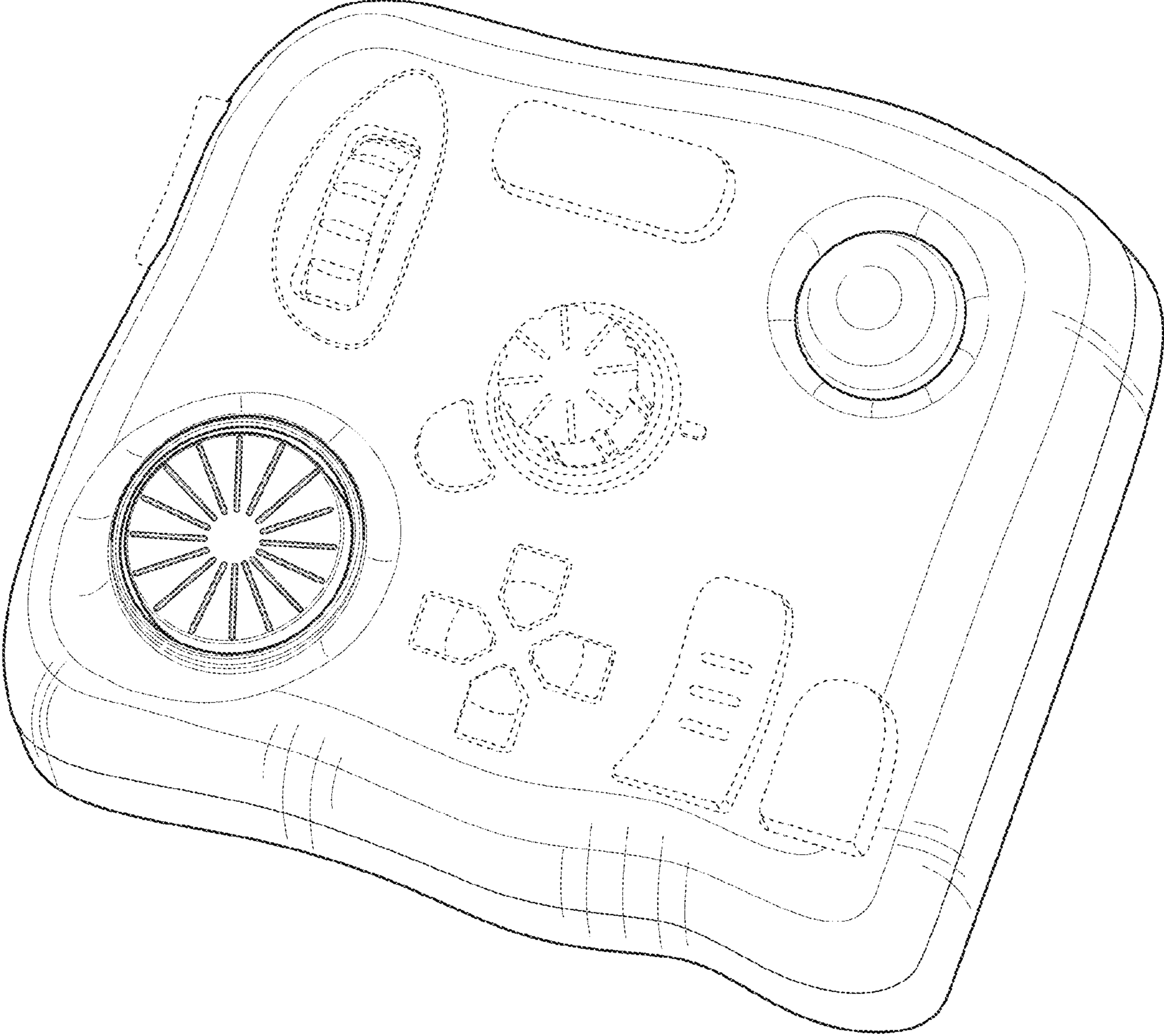


FIG. 1

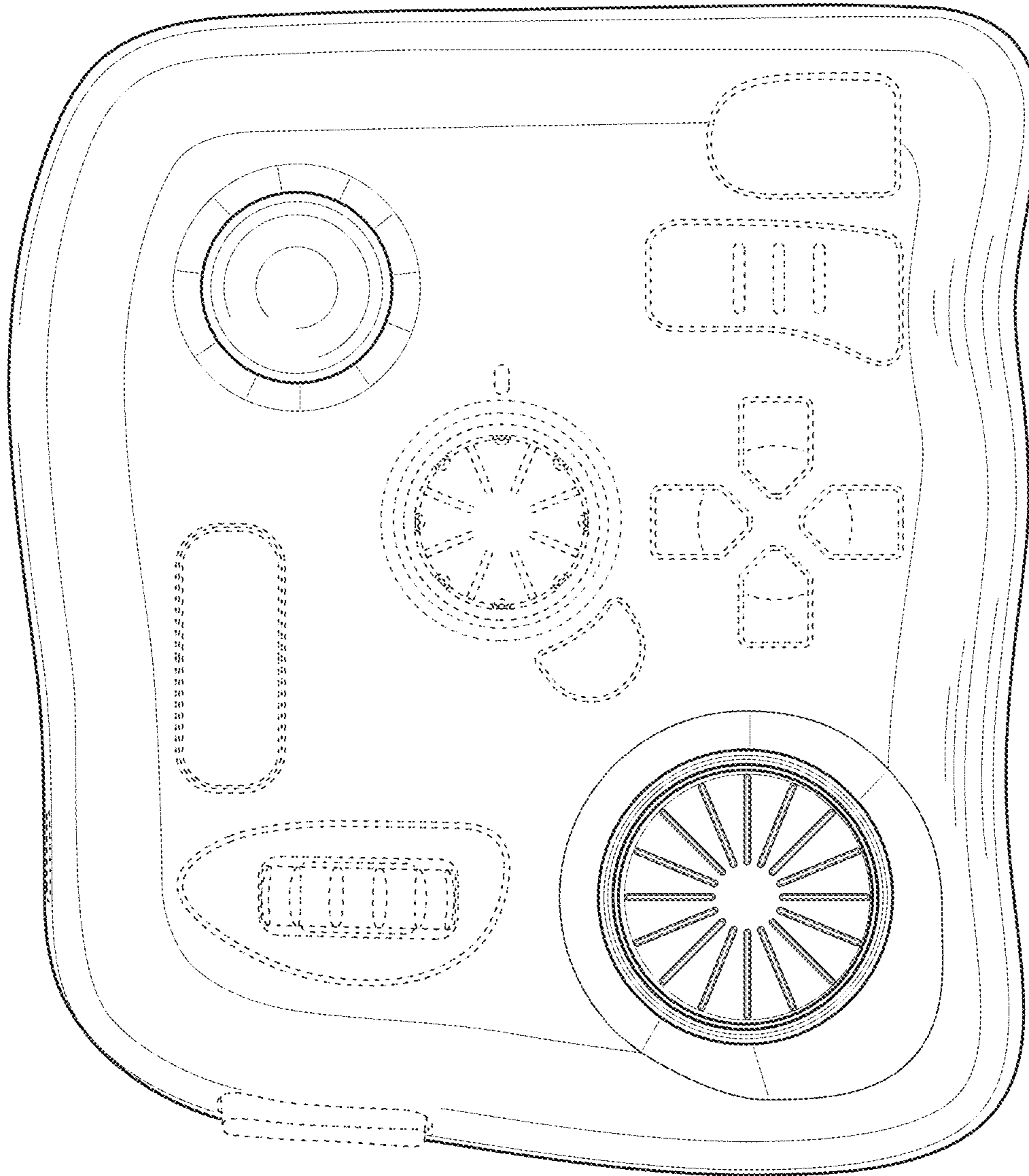


FIG. 2

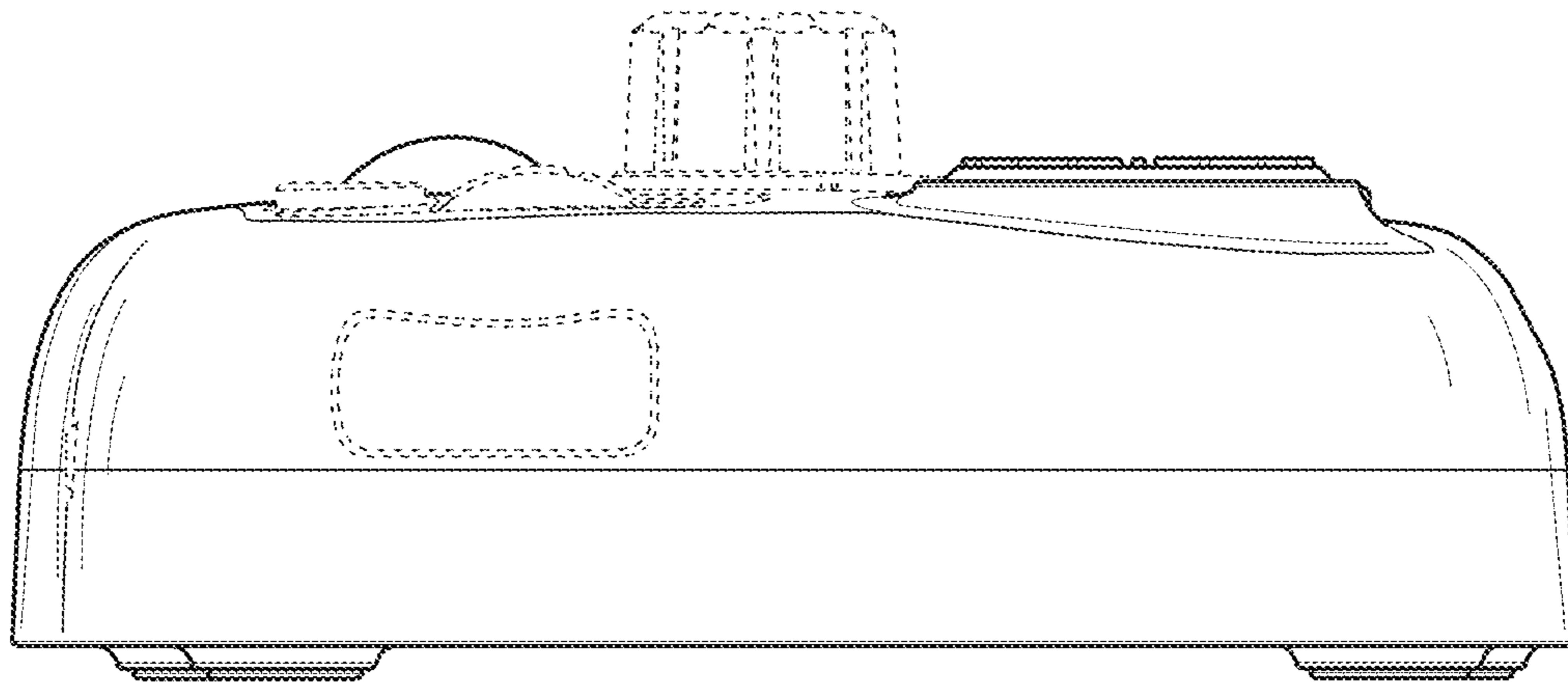


FIG. 4

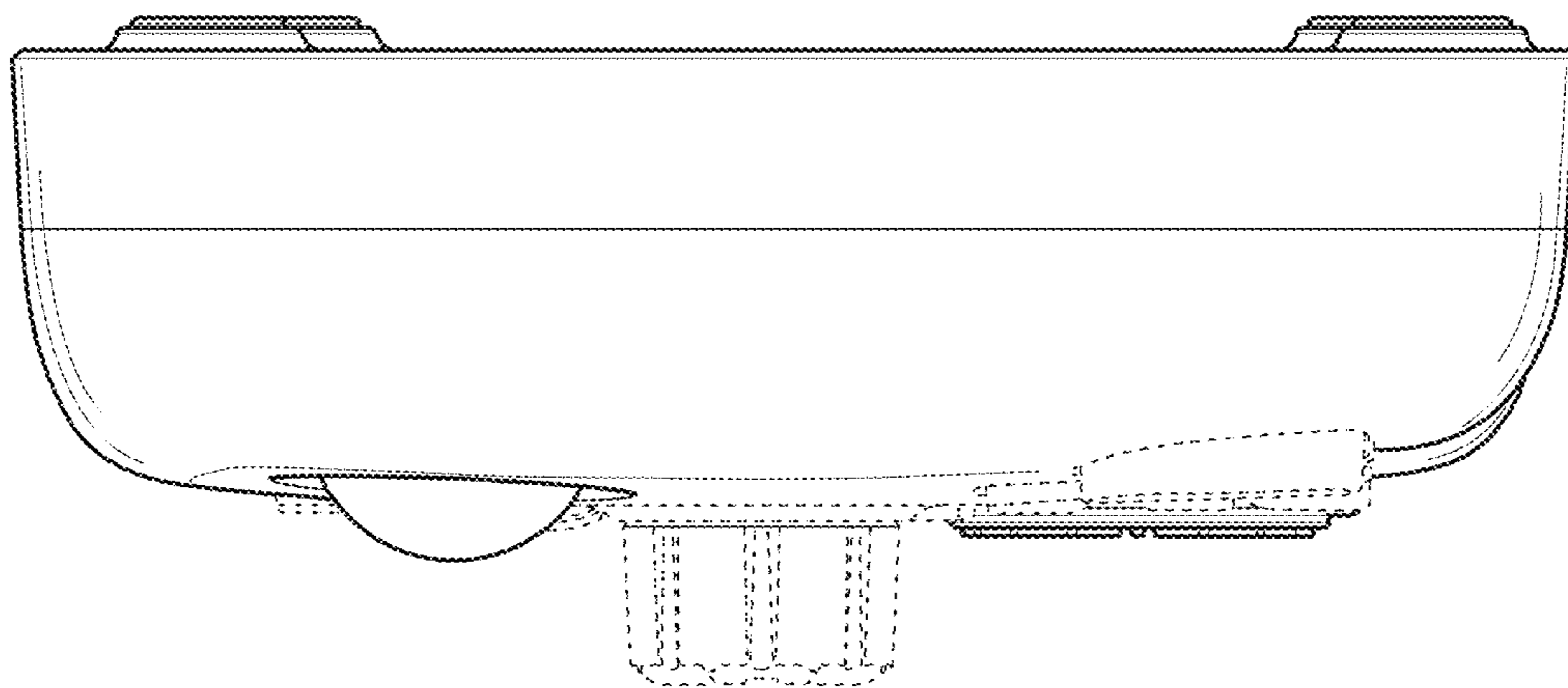


FIG. 3

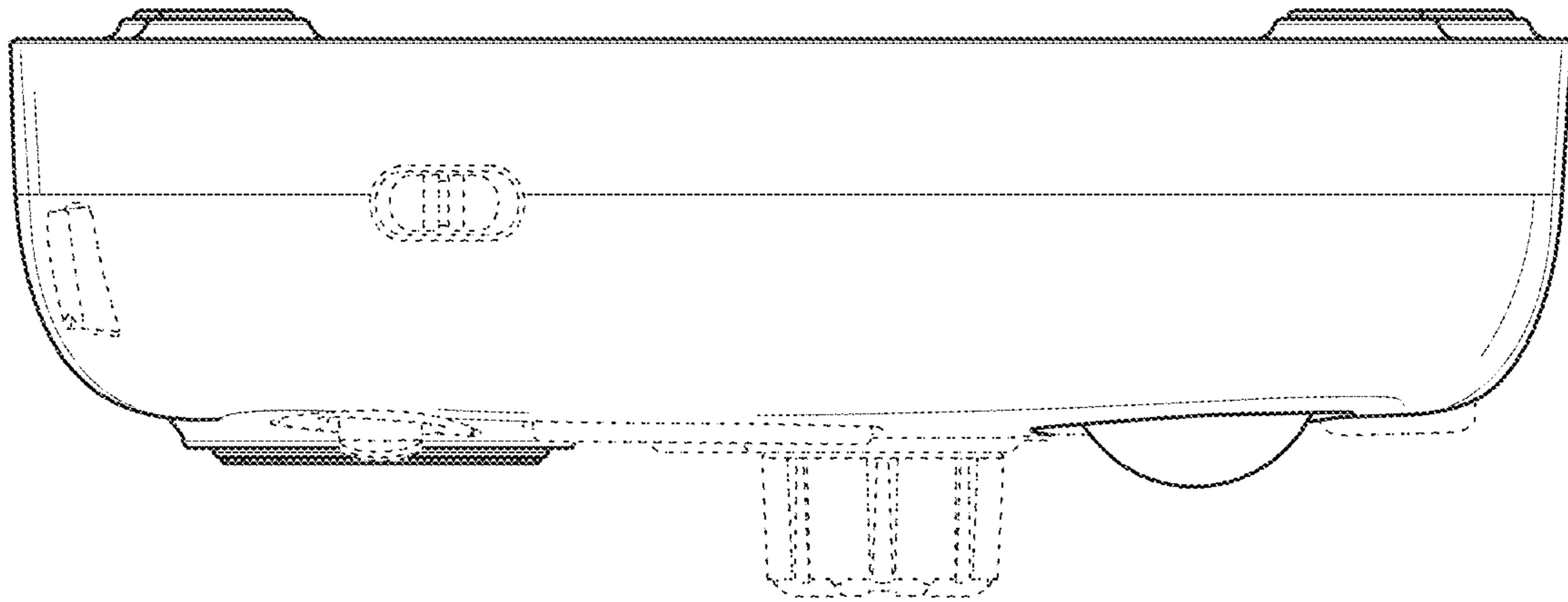


FIG. 5

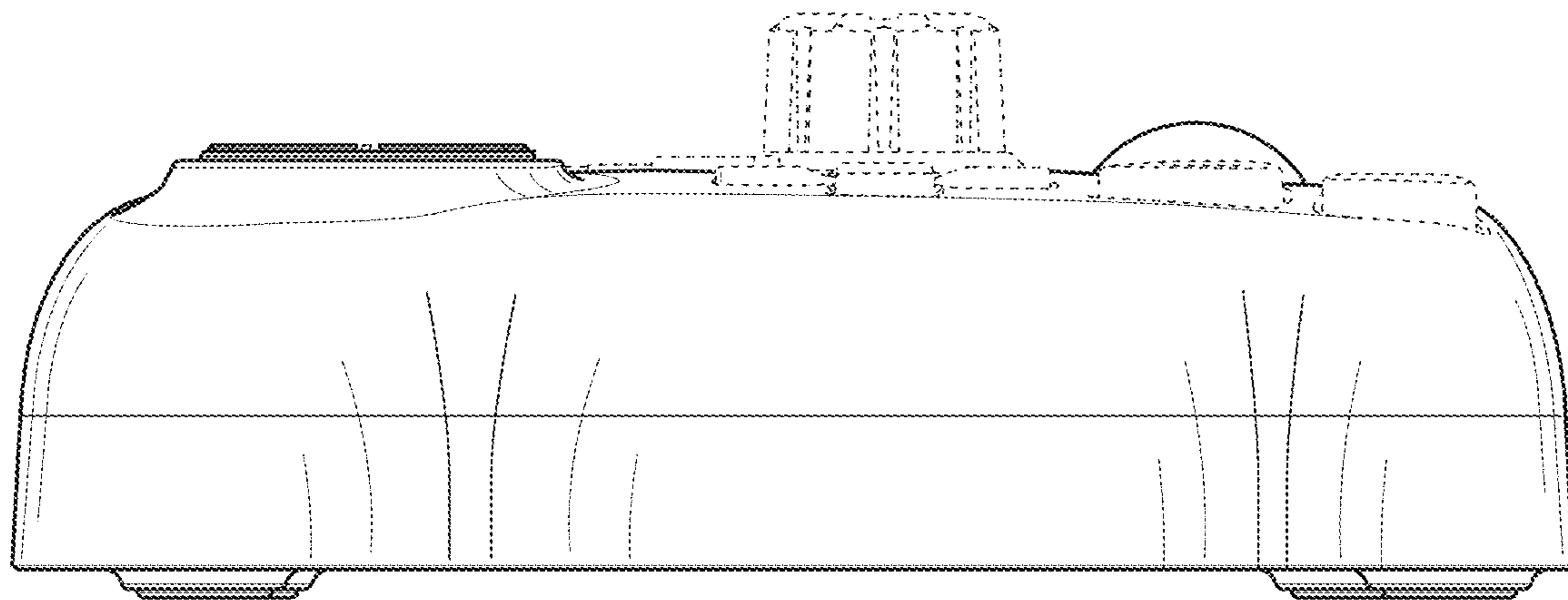


FIG. 6

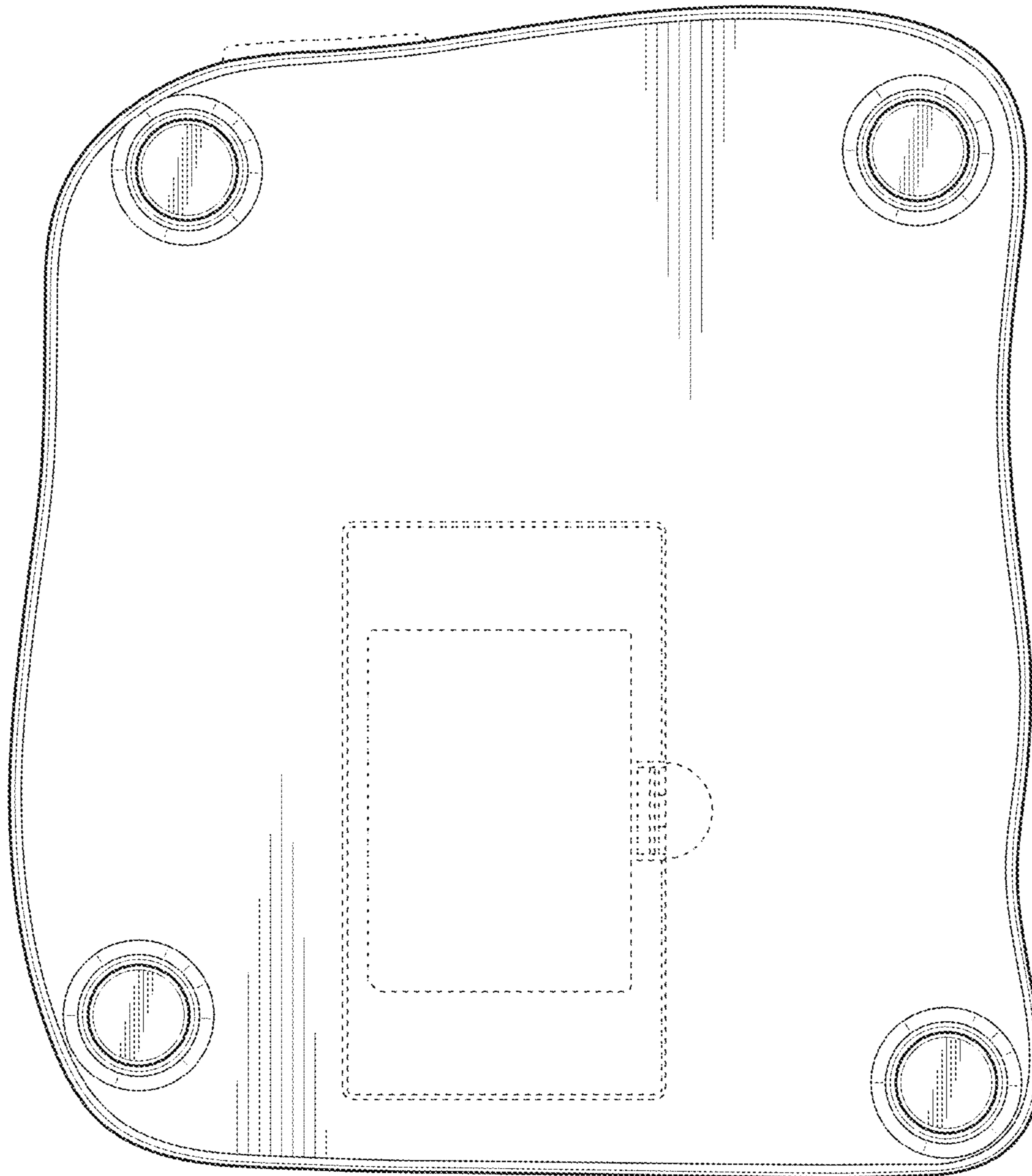


FIG. 7