

US00D926707S

(12) **United States Design Patent** (10) **Patent No.:** **US D926,707 S**
Campos (45) **Date of Patent:** **** Aug. 3, 2021**

(54) **MODULAR CONDUIT CABLE MANAGEMENT ASSEMBLY**

(57) **CLAIM**

The ornamental design for a modular conduit cable management assembly, as shown and described.

(71) Applicant: **Luis Campos**, North Little Rock, AR (US)

(72) Inventor: **Luis Campos**, North Little Rock, AR (US)

(73) Assignee: **BL United, LLC**, North Little Rock, AR (US)

(**) Term: **15 Years**

(21) Appl. No.: **29/765,159**

(22) Filed: **Jan. 6, 2021**

Related U.S. Application Data

(63) Continuation-in-part of application No. 29/701,620, filed on Aug. 13, 2019, now Pat. No. Des. 913,961, (Continued)

(51) **LOC (13) Cl.** **13-03**

(52) **U.S. Cl.**
USPC **D13/155**

(58) **Field of Classification Search**
USPC D8/349, 354, 356, 394, 396; D13/155, D13/153, 156, 157, 184, 199 (Continued)

(56) **References Cited**

U.S. PATENT DOCUMENTS

1,225,867 A 5/1917 Schumacher
1,625,585 A * 4/1927 Archer B65H 75/18 242/599.2

(Continued)

FOREIGN PATENT DOCUMENTS

EP 2000724 10/2008
EP 2760091 12/2017

Primary Examiner — Jennifer O King

(74) *Attorney, Agent, or Firm* — Rashauna Norment

DESCRIPTION

FIG. 1 is an exploded perspective view of a first embodiment of a modular conduit cable management assembly, showing my new design;

FIG. 2 is another exploded perspective view thereof;

FIG. 3 is an exploded top plan view thereof;

FIG. 4 is an exploded bottom plan view thereof;

FIG. 5 is an exploded front elevation view thereof;

FIG. 6 is an exploded rear elevation view thereof;

FIG. 7 is an exploded left side elevation view thereof;

FIG. 8 is an exploded right side elevation view thereof;

FIG. 9 is a cross-section view thereof, taken at the area indicated in FIG. 3;

FIG. 10 is a cross-section view thereof, taken at the area indicated in FIG. 4;

FIG. 11 is another perspective view of a second configuration of FIG. 1, shown assembled and in use;

FIG. 12 is another perspective view of FIG. 11;

FIG. 13 is an exploded perspective view of FIG. 11;

FIG. 14 is another exploded perspective view of FIG. 11;

FIG. 15 is an exploded top plan view of FIG. 11;

FIG. 16 is an exploded bottom plan view of FIG. 11;

FIG. 17 is an exploded front elevation view of FIG. 11;

FIG. 18 is an exploded rear elevation view of FIG. 11;

FIG. 19 is an exploded left elevation view of FIG. 11;

FIG. 20 is an exploded right elevation view of FIG. 11;

FIG. 21 is a front elevation view of FIG. 11;

FIG. 22 is a rear elevation view of FIG. 11;

FIG. 23 is a left elevation view of FIG. 11;

FIG. 24 is a right elevation view of FIG. 11;

FIG. 25 is a cross-section view of thereof, taken at the area indicated in FIG. 11;

FIG. 26 is a perspective view of the configuration shown in FIG. 11, shown with environment;

FIG. 27 is a perspective view of a third configuration of FIG. 1, shown assembled and in use;

(Continued)

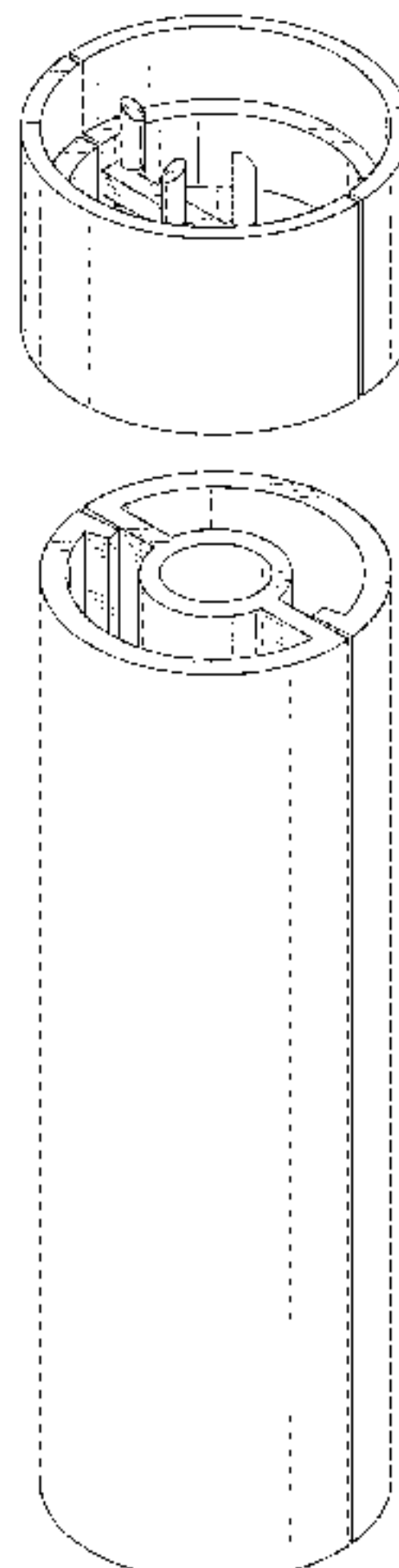


FIG. 28 is another perspective view of FIG. 27;
 FIG. 29 is an exploded top plan view of FIG. 27;
 FIG. 30 is an exploded bottom plan view of FIG. 27;
 FIG. 31 is an exploded front elevation view of FIG. 27;
 FIG. 32 is an exploded rear elevation view of FIG. 27;
 FIG. 33 is an exploded left elevation view of FIG. 27;
 FIG. 34 is an exploded right elevation view of FIG. 27;
 FIG. 35 is a perspective view of the configuration shown in FIG. 27, shown with environment;
 FIG. 36 is an exploded perspective view of a second embodiment of the modular conduit cable management assembly;
 FIG. 37 is another perspective view of FIG. 36;
 FIG. 38 is a top plan view of FIG. 36;
 FIG. 39 is a bottom plan view of FIG. 36;
 FIG. 40 is a front elevation view of FIG. 36;
 FIG. 41 is a rear elevation view of FIG. 36;
 FIG. 42 is a left side elevation view of FIG. 36;
 FIG. 43 is a right elevation view of FIG. 36;
 FIG. 44 is a cross-section view, taken at the area indicated in FIG. 38;
 FIG. 45 is a cross-section view, taken at the area indicated in FIG. 39;
 FIG. 46 is a perspective view of a second configuration of FIG. 36, shown assembled and in use;
 FIG. 47 is another perspective view of FIG. 46;
 FIG. 48 is an exploded perspective view of FIG. 46;
 FIG. 49 is another exploded perspective view of FIG. 46;
 FIG. 50 is an exploded front elevation view of FIG. 46;
 FIG. 51 is an exploded rear elevation view of FIG. 46;
 FIG. 52 is an exploded left elevation view of FIG. 46;
 FIG. 53 is an exploded right elevation view of FIG. 46;
 FIG. 54 is a cross-section view of the configuration of FIG. 46, taken at the area indicated in FIG. 46;
 FIG. 55 is a perspective view of a third configuration of FIG. 46, shown with environment;
 FIG. 56 is another perspective view of the configuration shown in FIG. 55, shown assembled;
 FIG. 57 is another perspective view of FIG. 55;
 FIG. 58 is an exploded a top plan view of FIG. 55;
 FIG. 59 is an exploded bottom plan view of FIG. 55;
 FIG. 60 is a front elevation view of FIG. 55;
 FIG. 61 is a rear elevation view of FIG. 55;
 FIG. 62 is a left elevation view of FIG. 55;

FIG. 63 is a right elevation view of FIG. 55; and,
 FIG. 64 is a perspective view of the configuration shown in FIG. 55, shown in use and with additional environment.
 The broken lines in the drawing figures are included for the purpose of illustration and do not form part of the claimed invention.
 The undisclosed front, rear, left, and right elevation views of the embodiment shown in FIG. 27 are the same in appearance as the views shown in FIGS. 21-25. The undisclosed cross section view for the embodiment shown in FIG. 46 are the same in appearance as the views shown in FIGS. 25 and 54.

1 Claim, 39 Drawing Sheets

Related U.S. Application Data

and a continuation-in-part of application No. 16/539,229, filed on Aug. 13, 2019, and a continuation-in-part of application No. 29/722,843, filed on Feb. 2, 2020, now Pat. No. Des. 913,962, and a continuation-in-part of application No. 29/730,495, filed on Apr. 5, 2020, now Pat. No. Des. 915,302.

(58) **Field of Classification Search**

CPC H01B 3/082; H01R 13/6392; F15L 7/00
 See application file for complete search history.

(56) **References Cited**

U.S. PATENT DOCUMENTS

2,024,862	A	12/1935	Hooley	
D508,199	S *	8/2005	Winig	D8/356
9,274,301	B2	3/2016	Her	
D763,063	S *	8/2016	Welch	D8/356
D803,666	S *	11/2017	Morley	D8/356
D831,468	S *	10/2018	Morley	D8/356
D860,765	S *	9/2019	Tsay	D8/356
10,703,557	B2 *	7/2020	Foster, II	B65H 49/08
D900,596	S *	11/2020	Renner	D8/356
2006/0213572	A1	9/2006	Beaulieu	
2011/0095162	A1	4/2011	Parduhn et al.	
2014/0123438	A1	5/2014	Donovan	

* cited by examiner

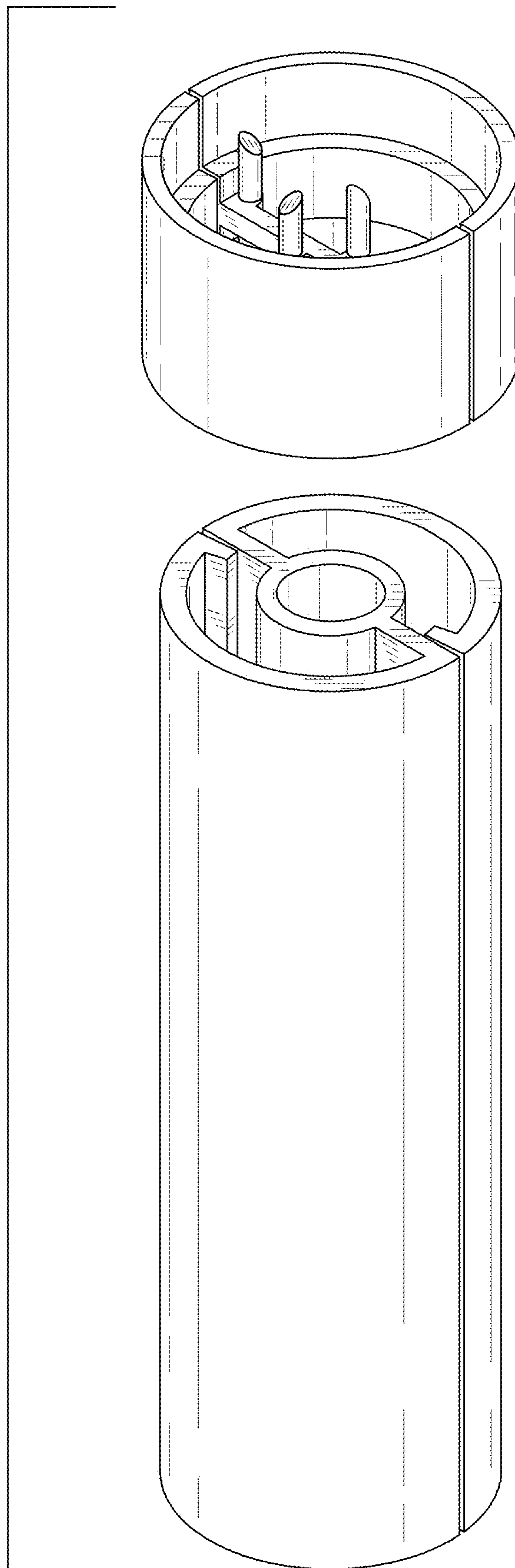


FIG. 1

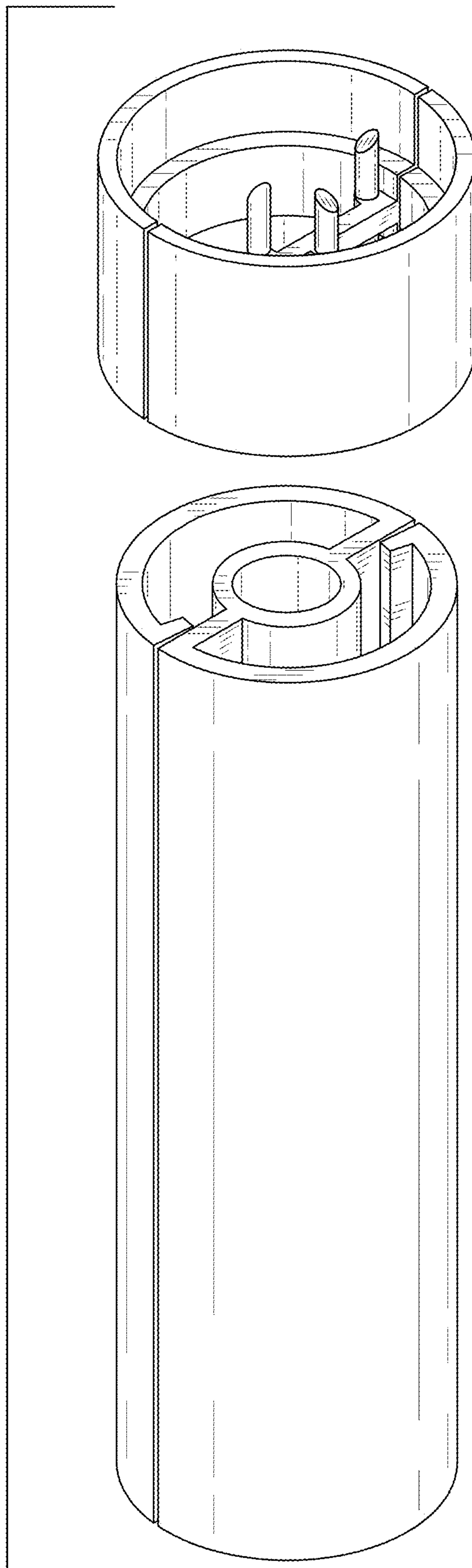


FIG. 2

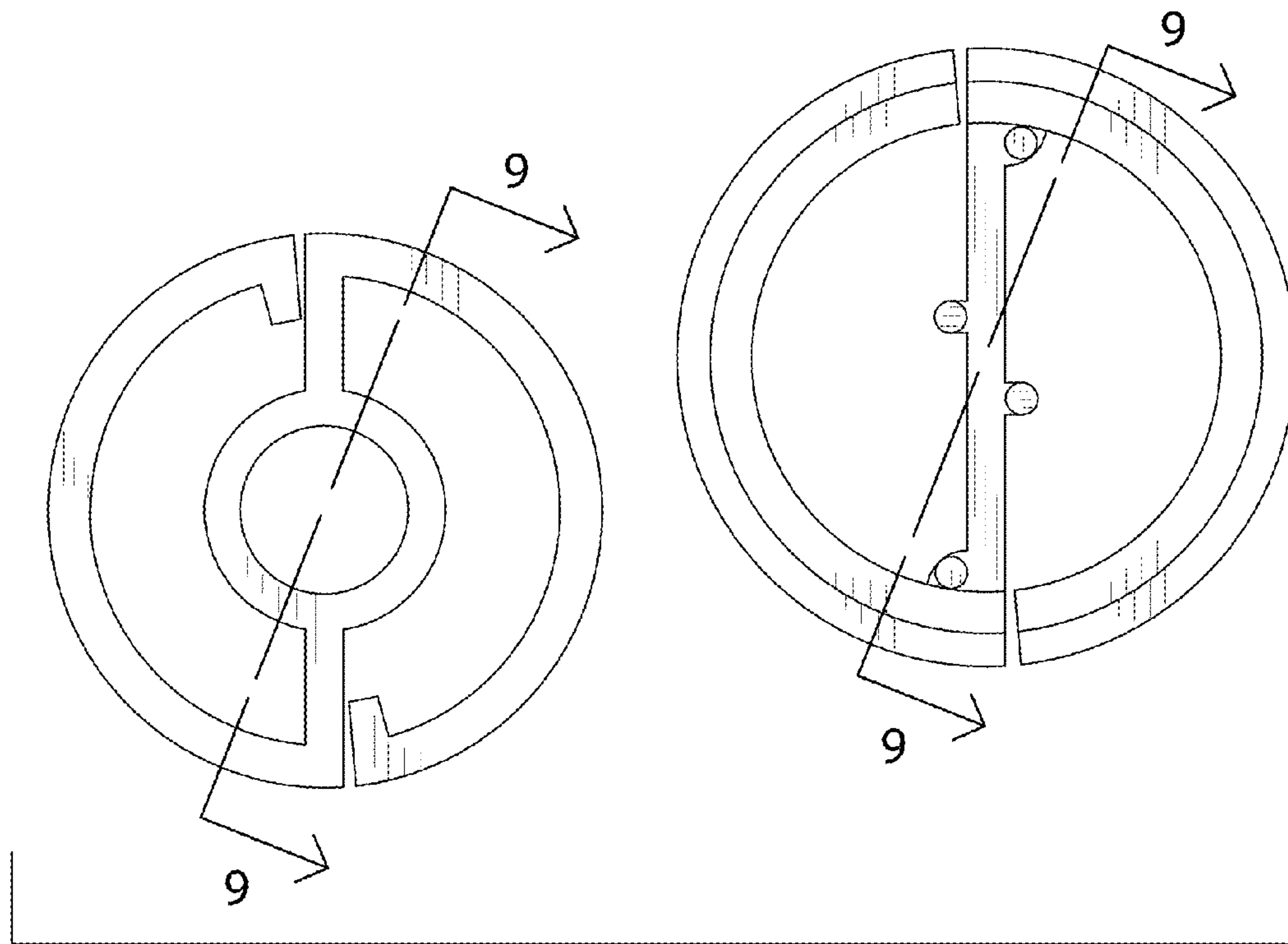


FIG. 3

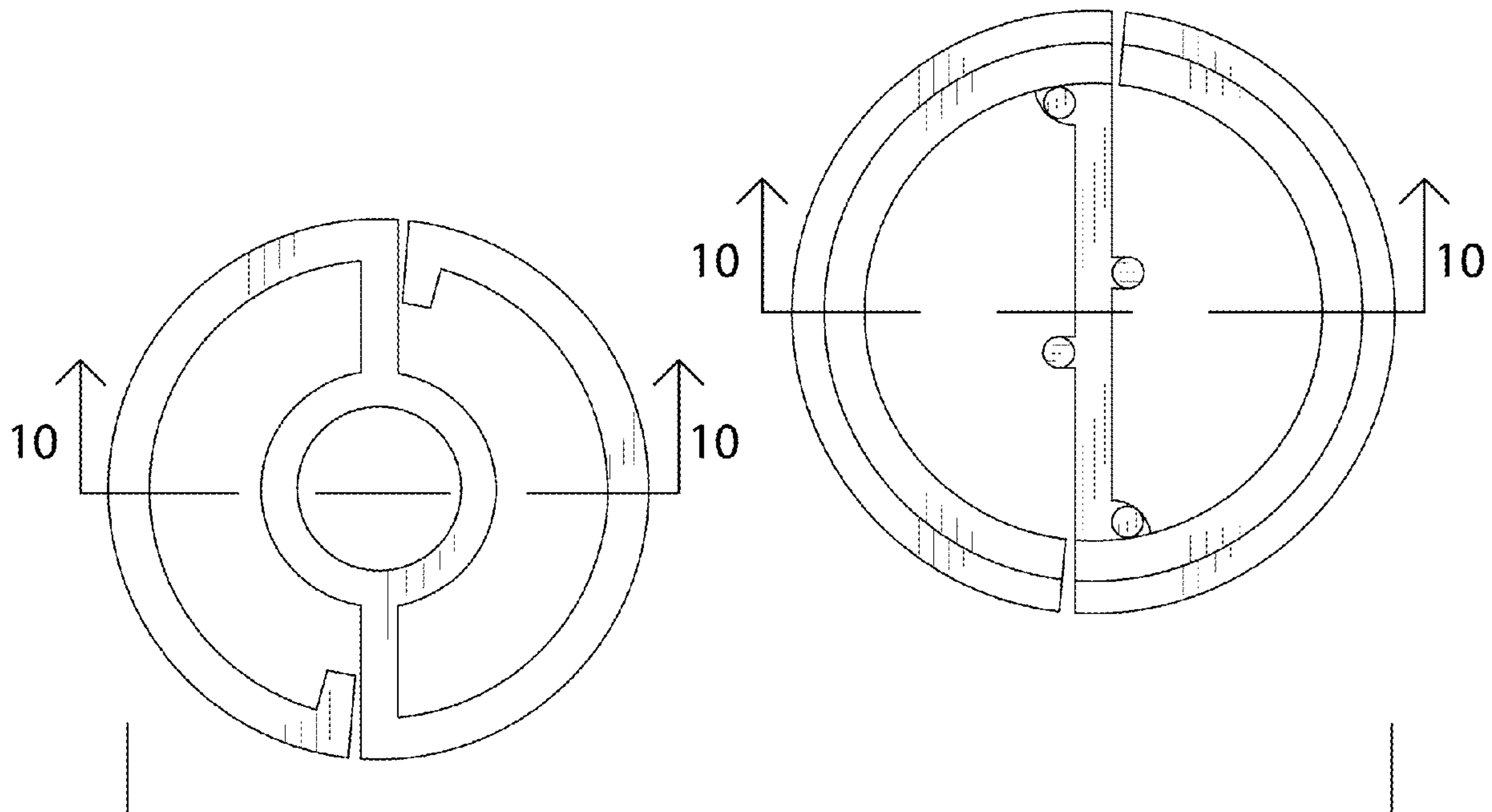


FIG. 4

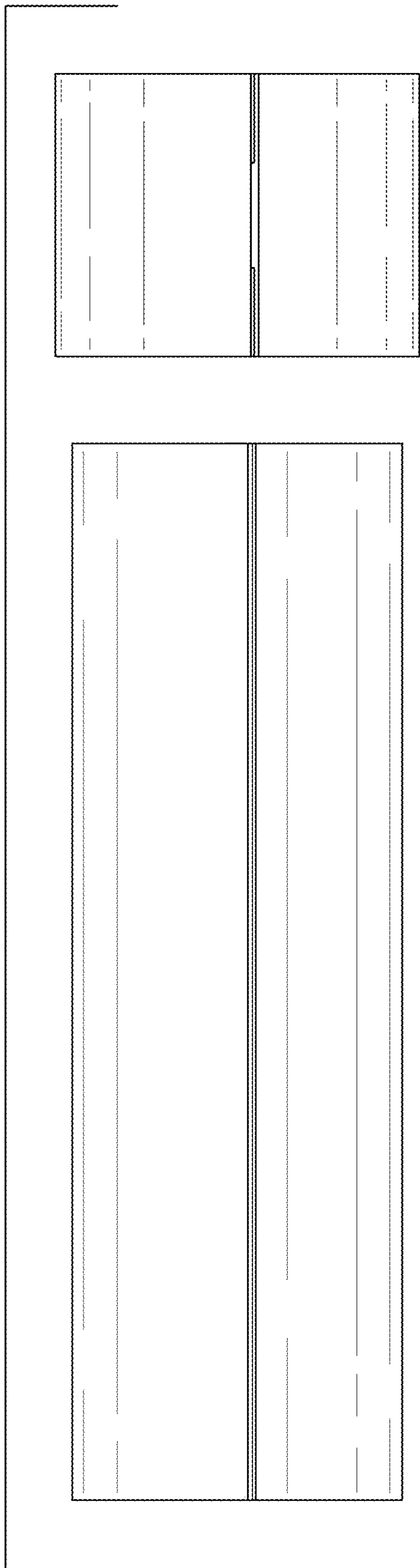


FIG. 5

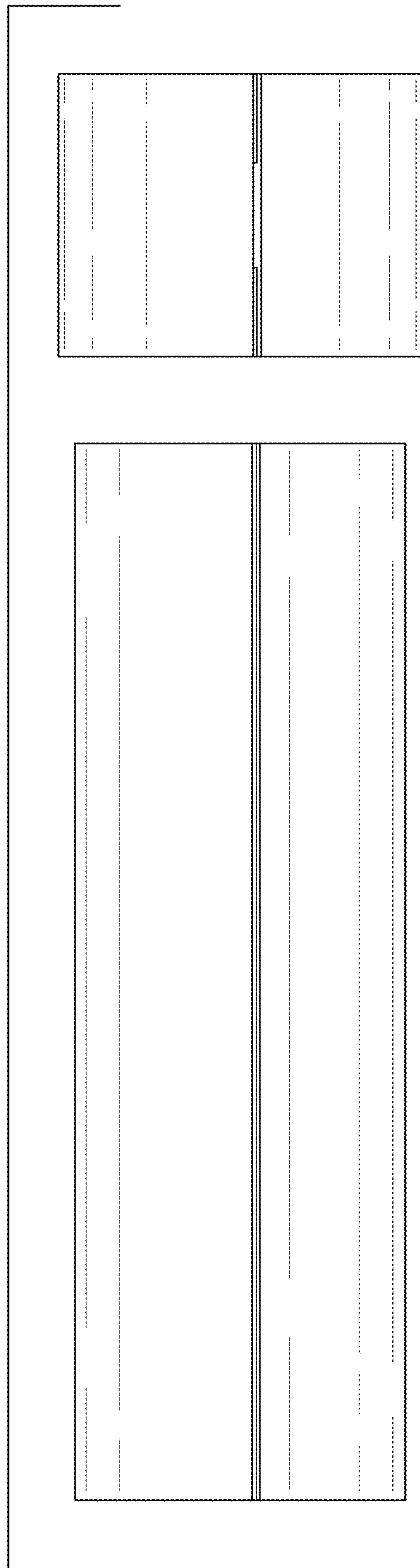


FIG. 6

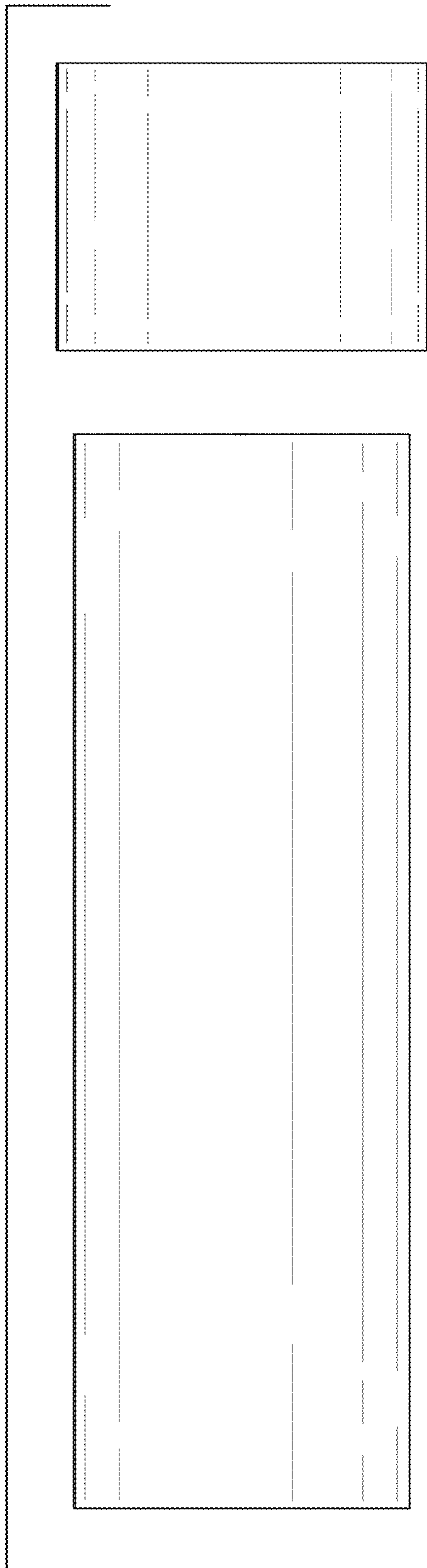


FIG. 7

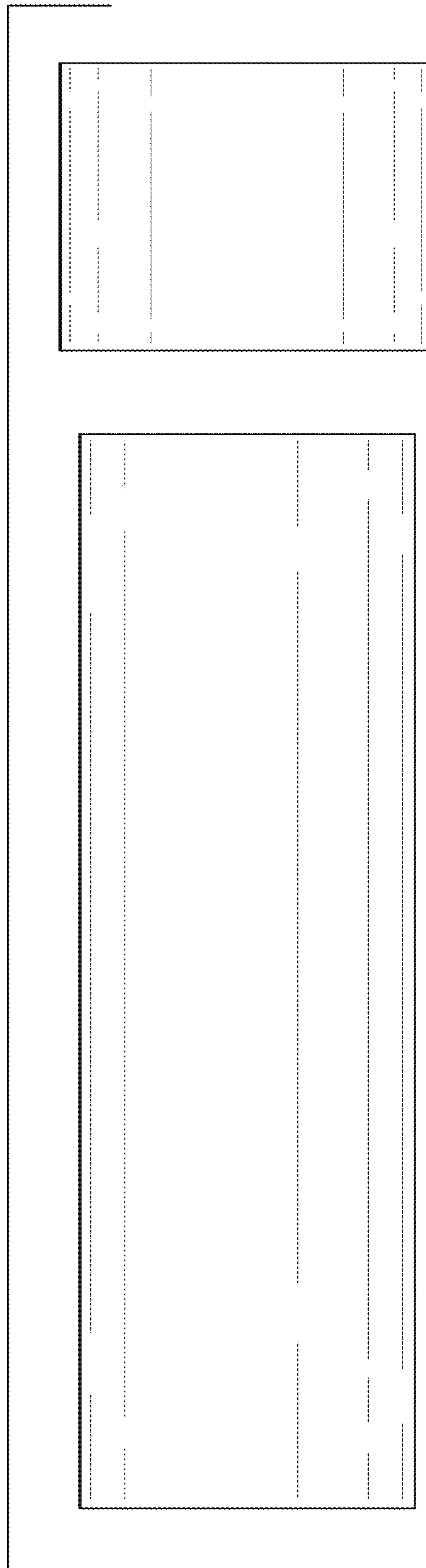


FIG. 8

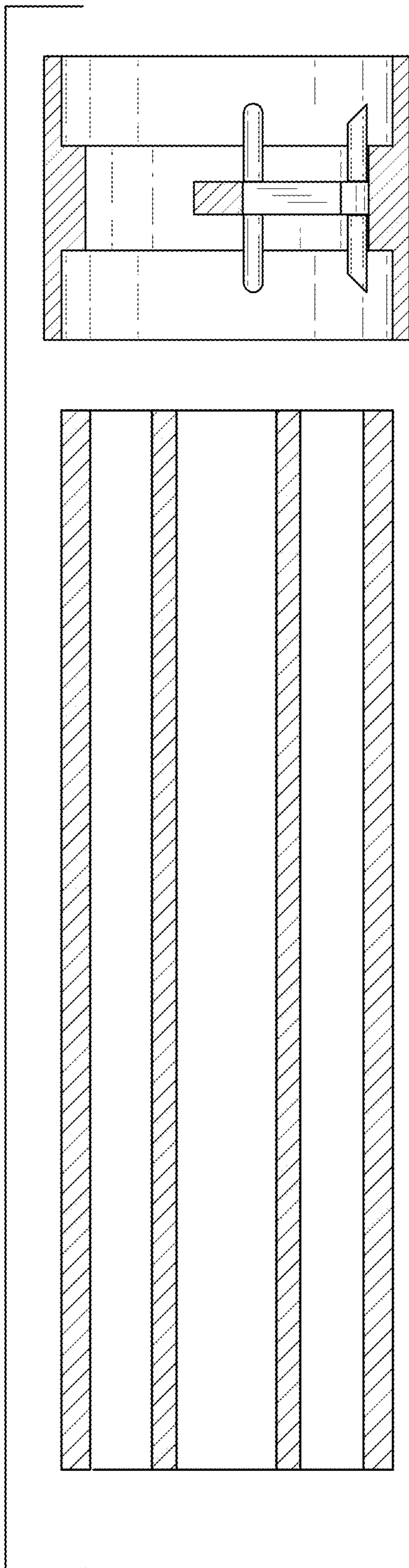


FIG. 9

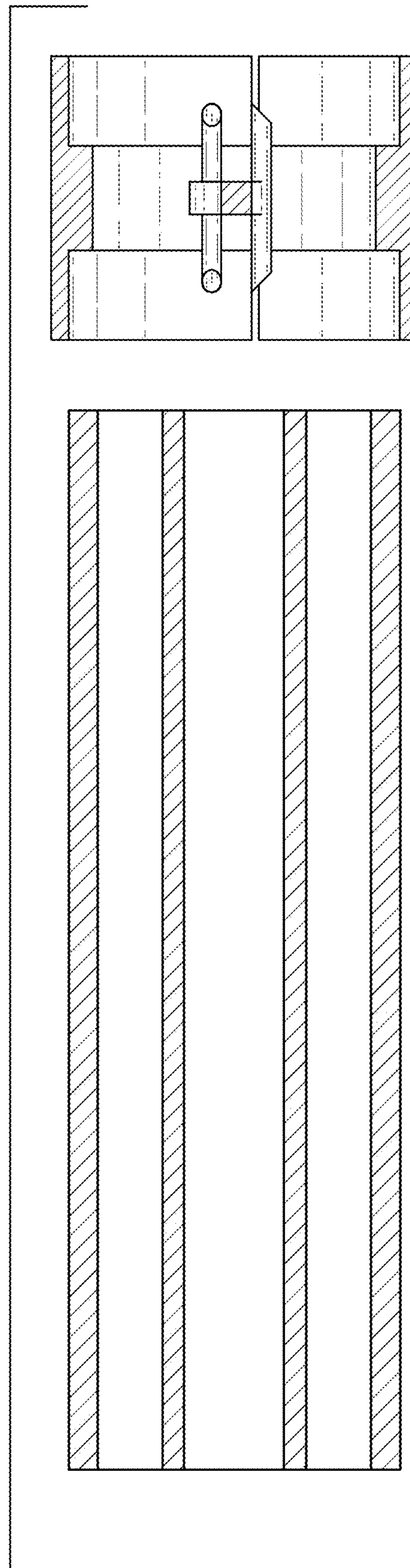


FIG. 10

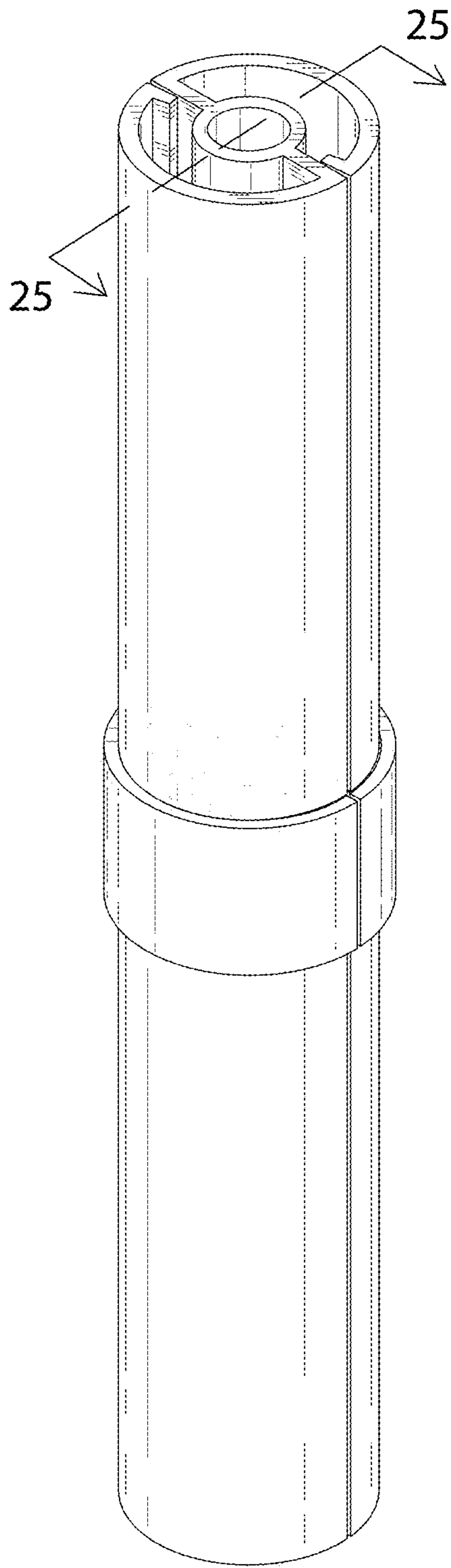


FIG. 11

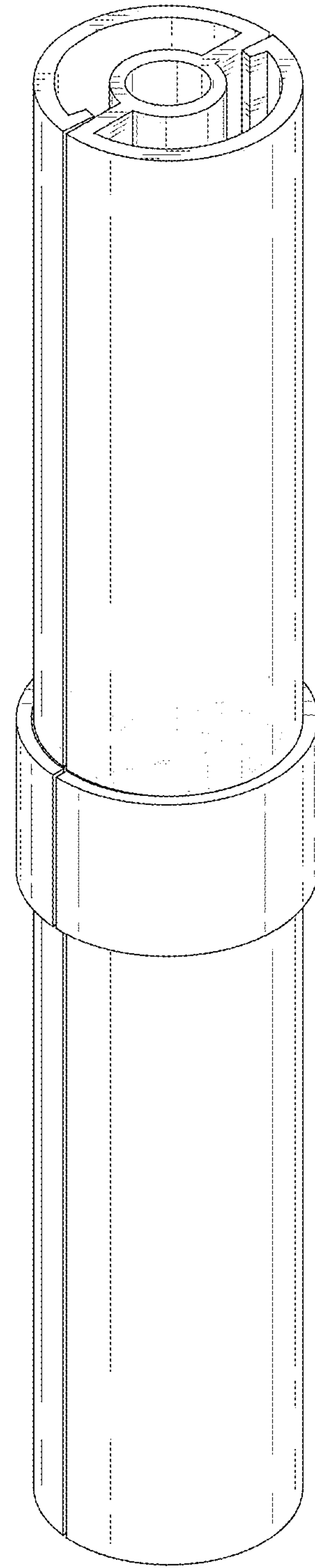


FIG. 12

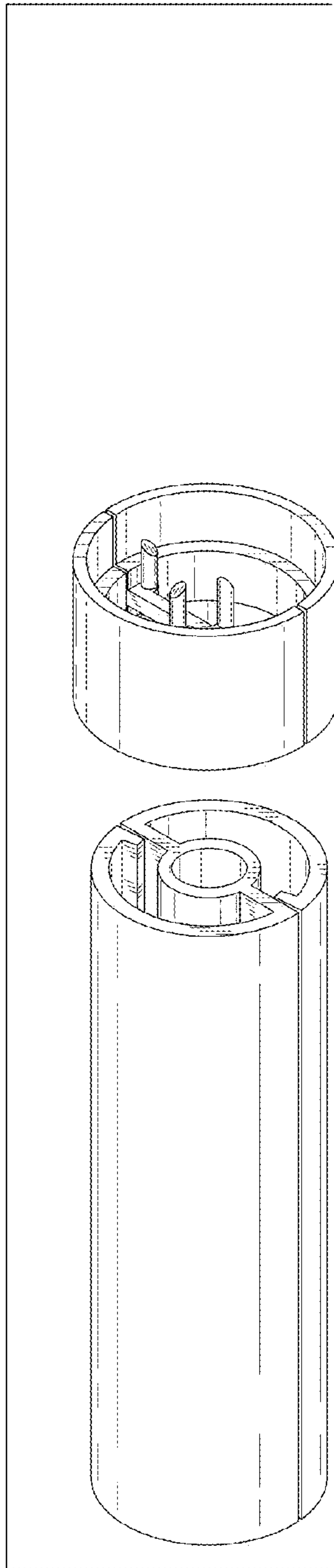


FIG. 13

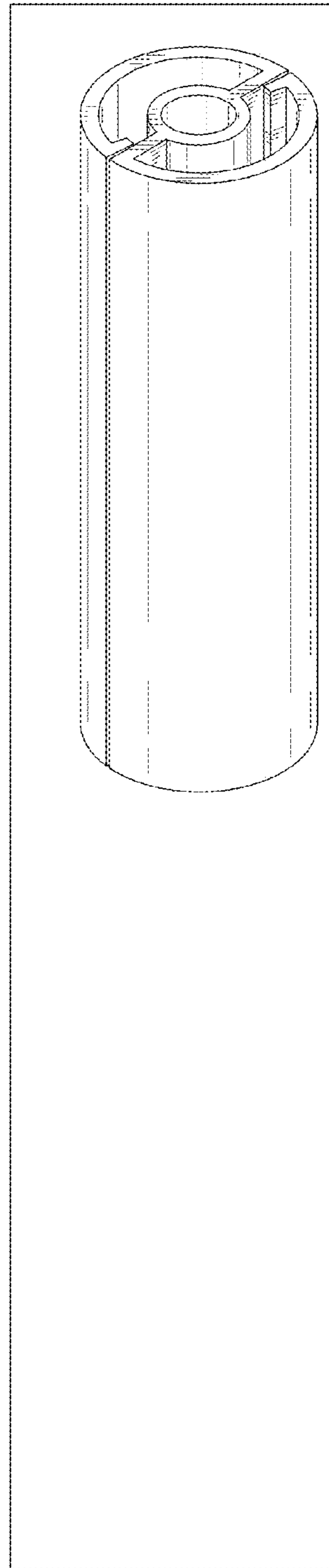
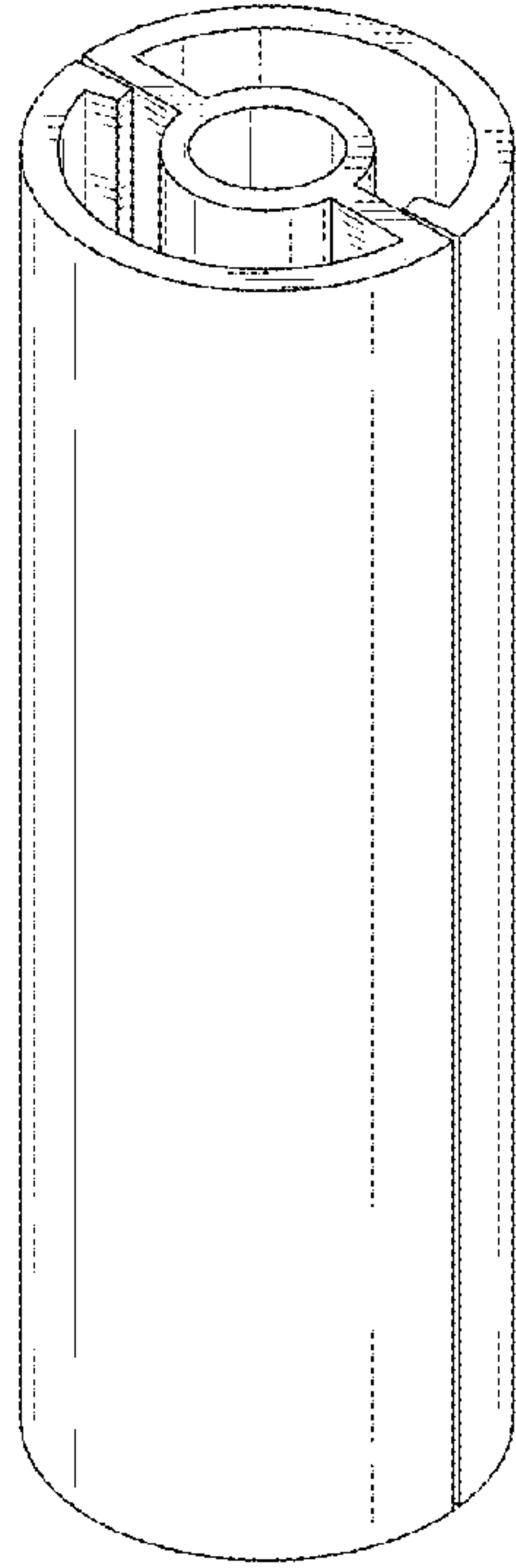
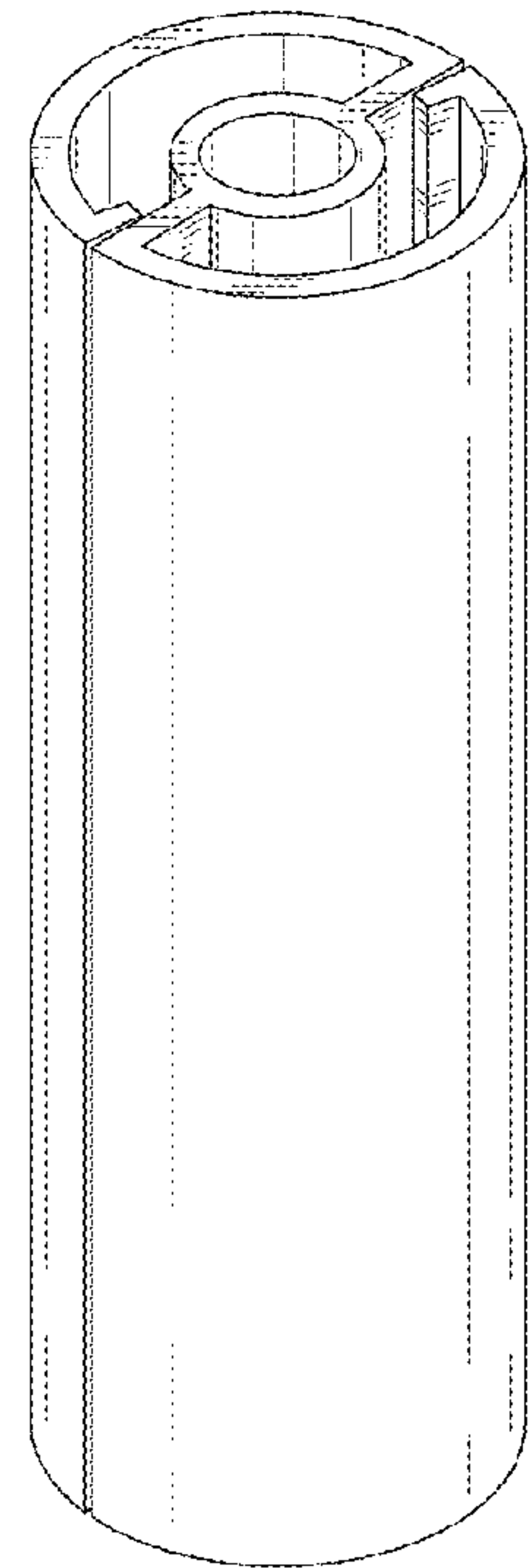
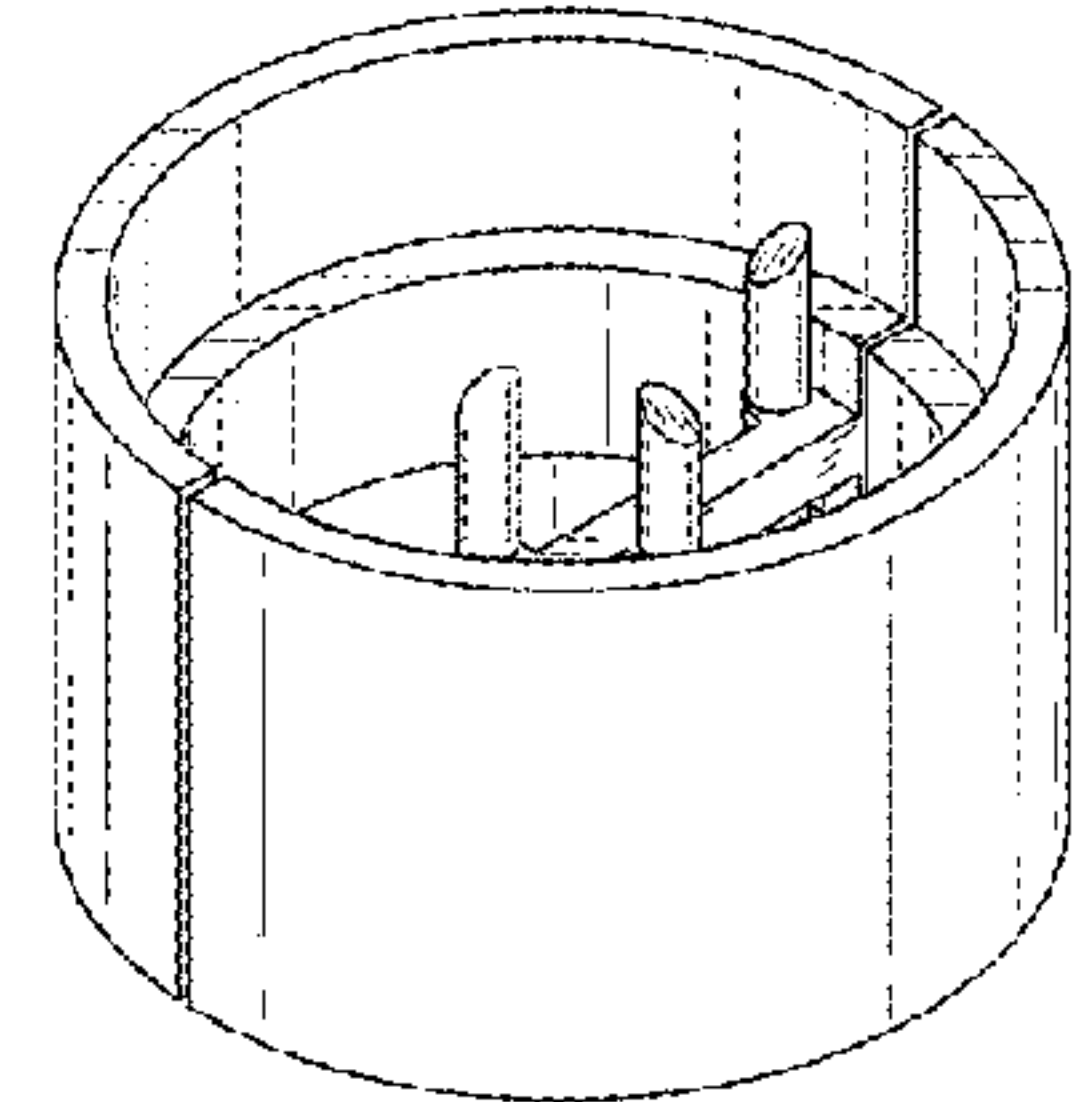


FIG. 14



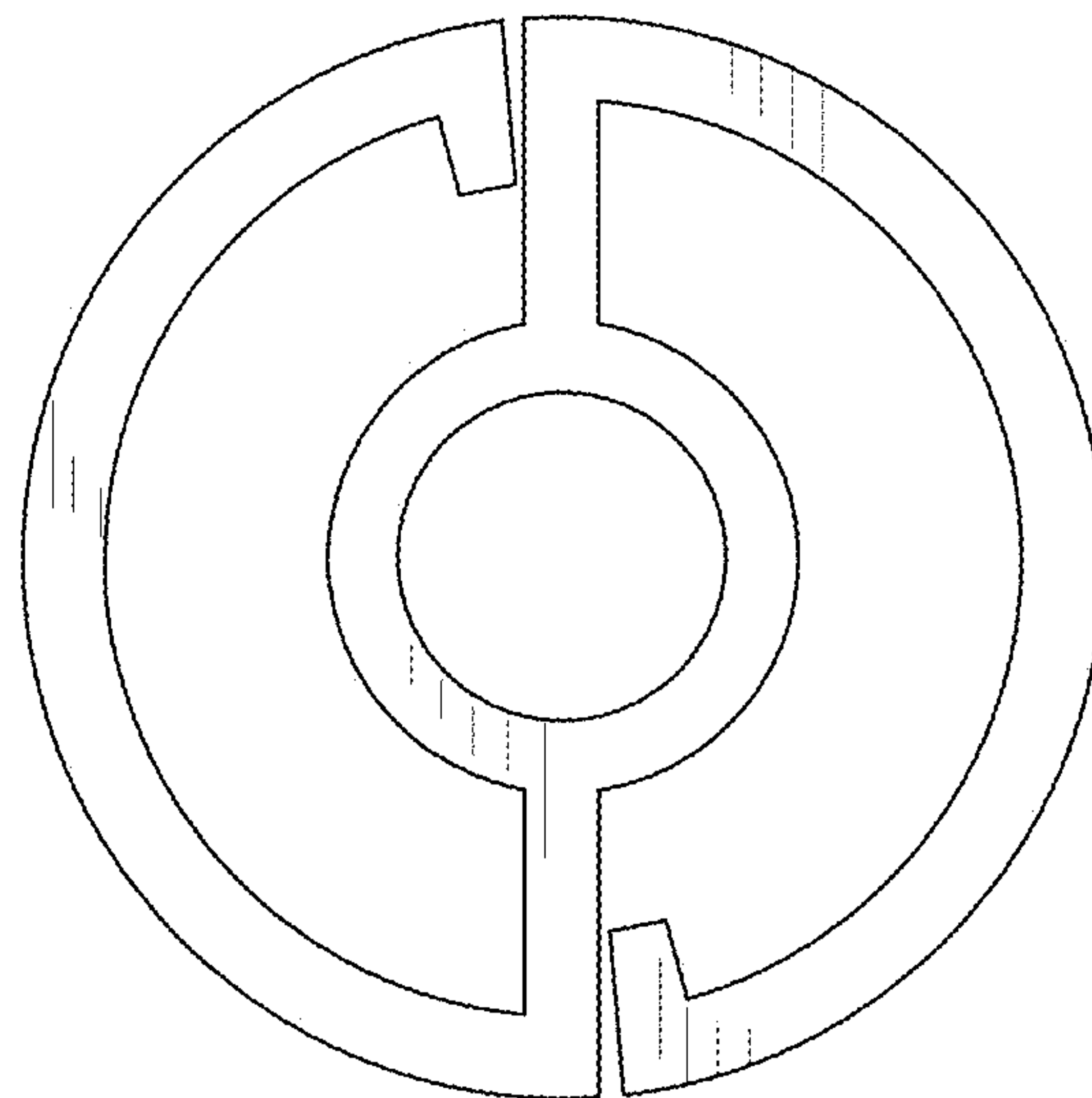
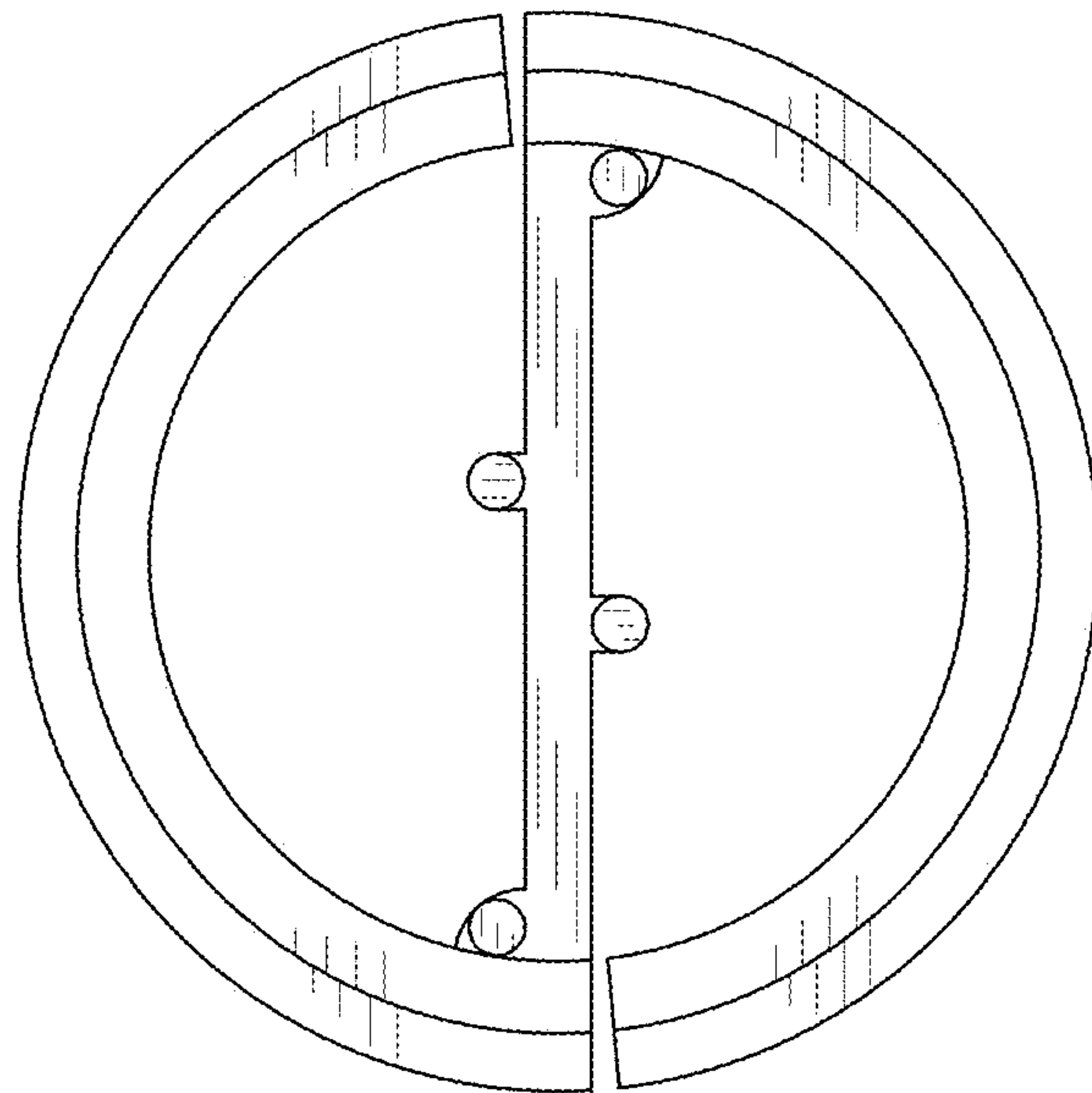
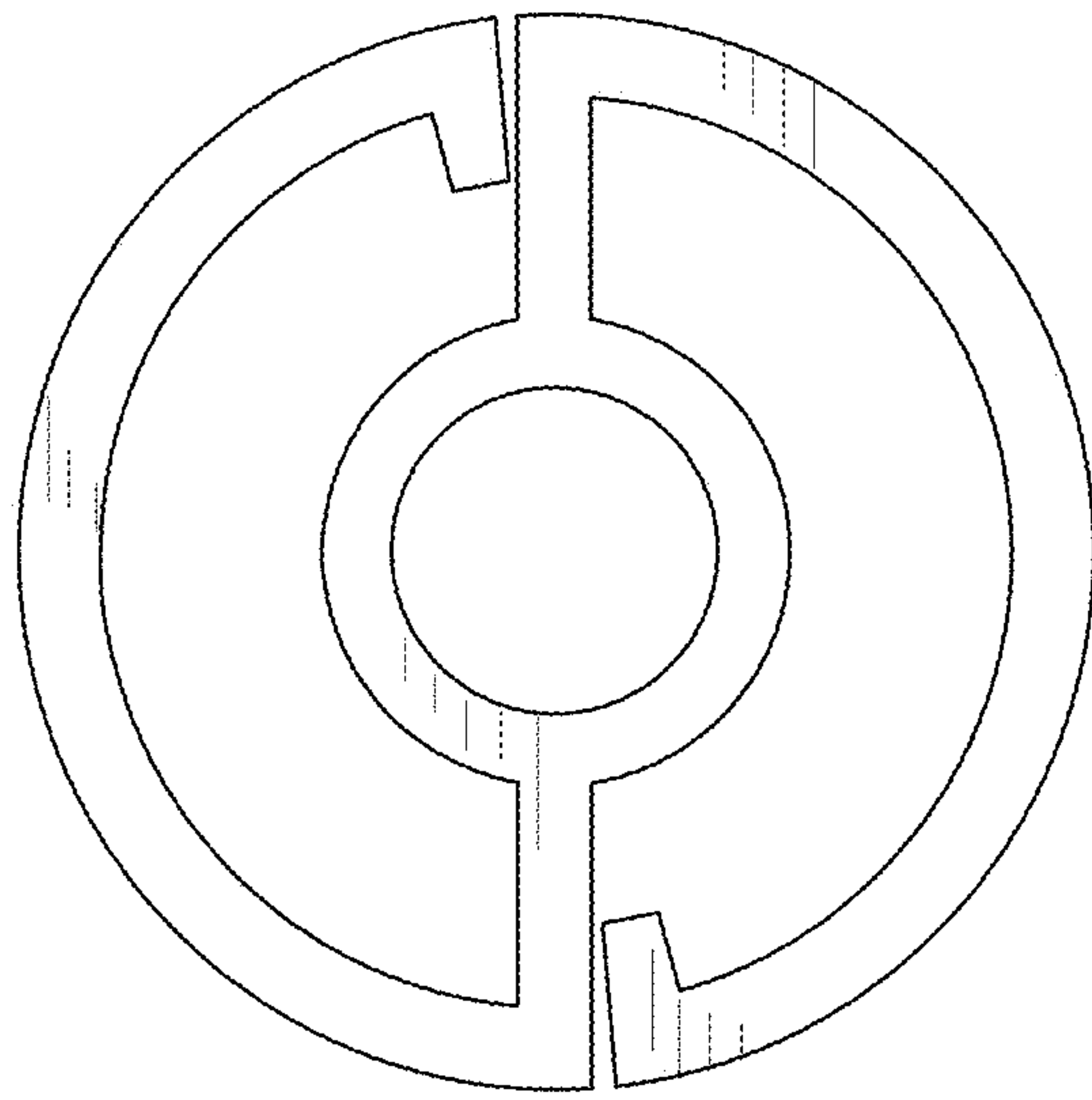


FIG. 15



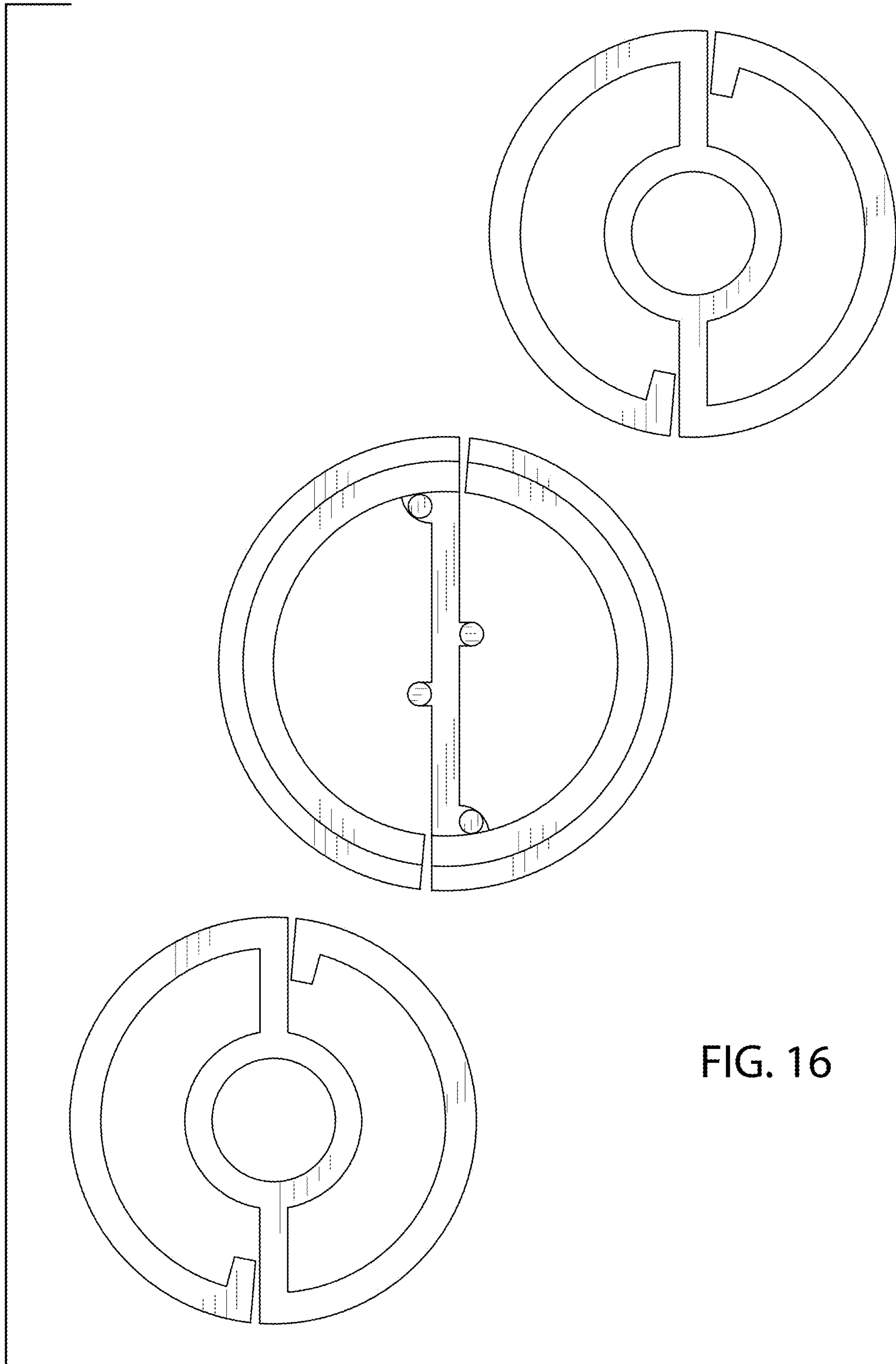


FIG. 16

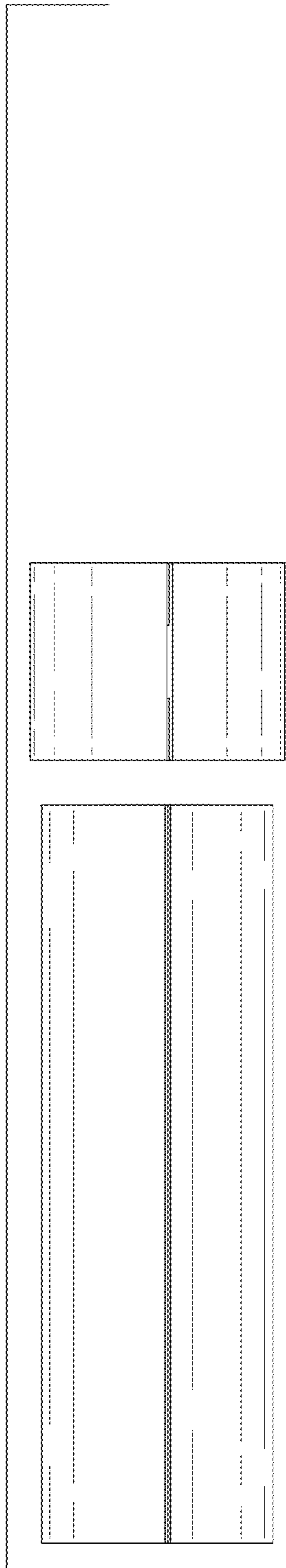


FIG. 17

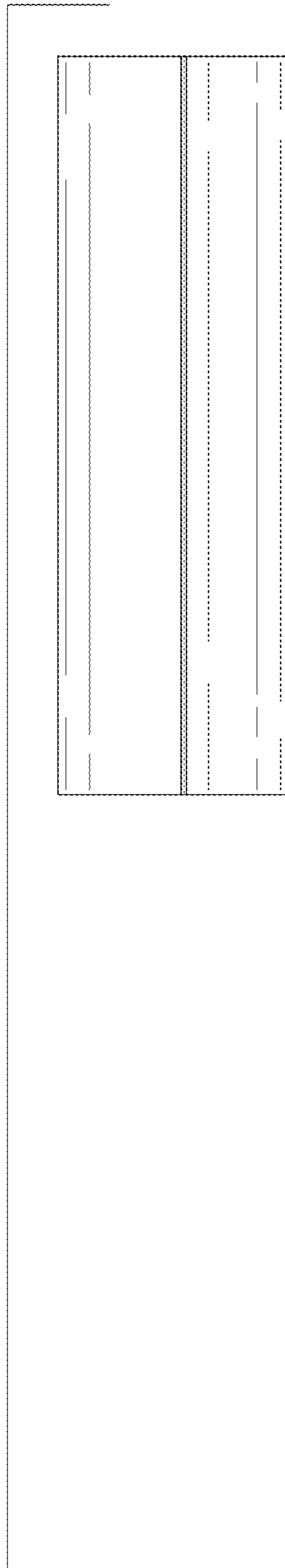
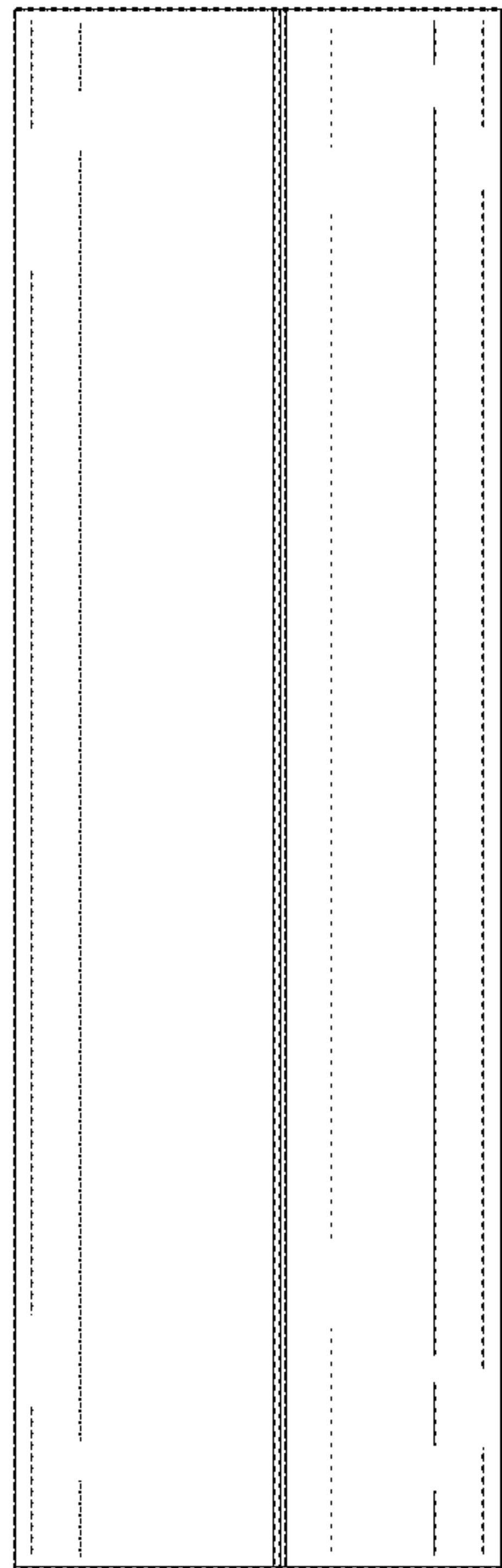


FIG. 18

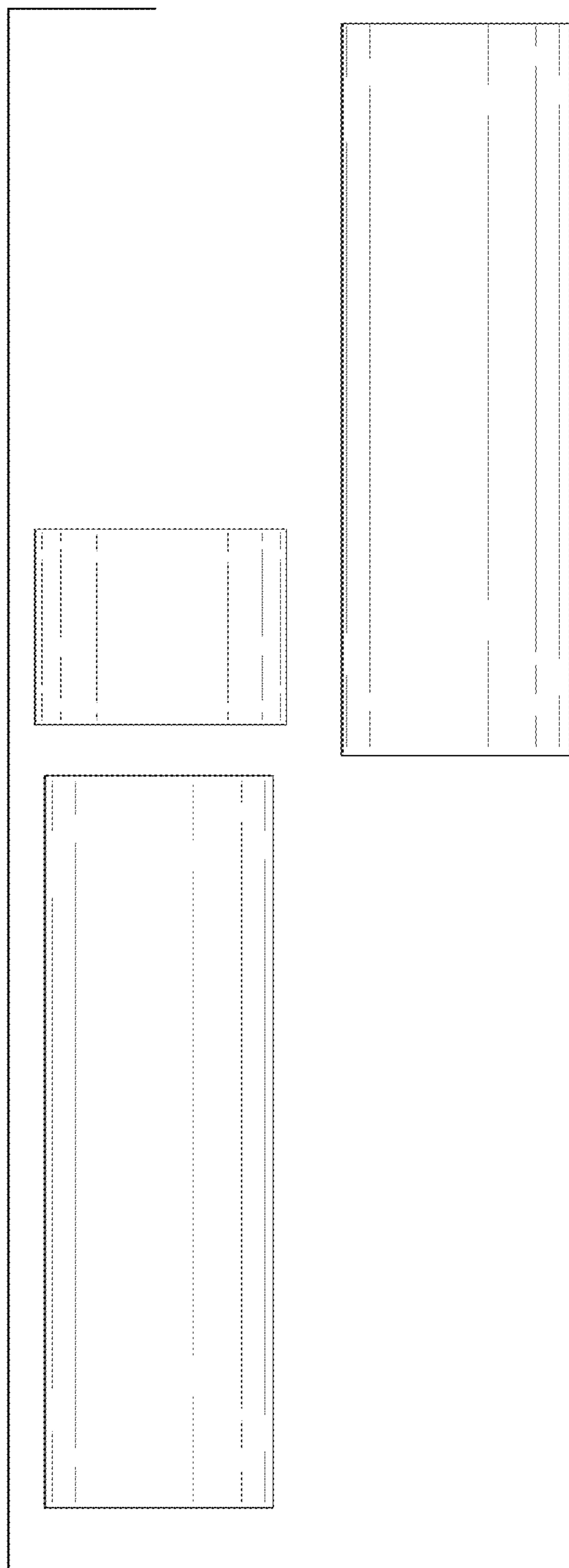


FIG. 19

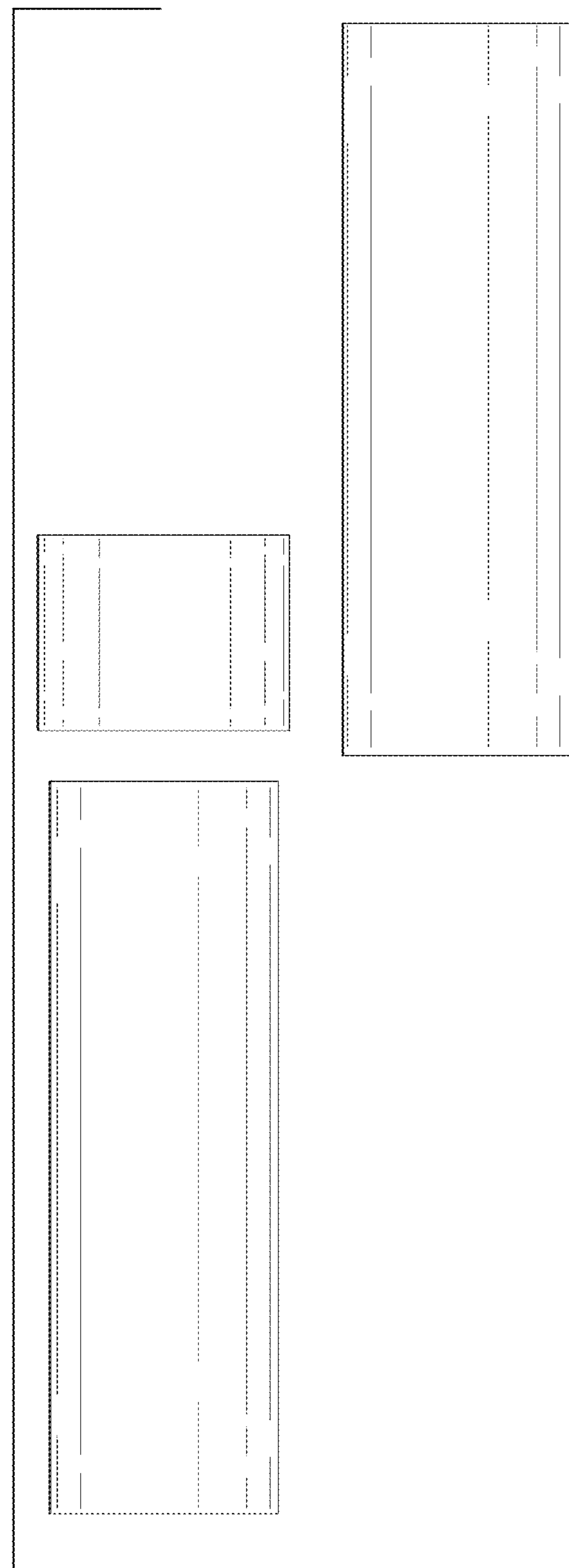


FIG. 20

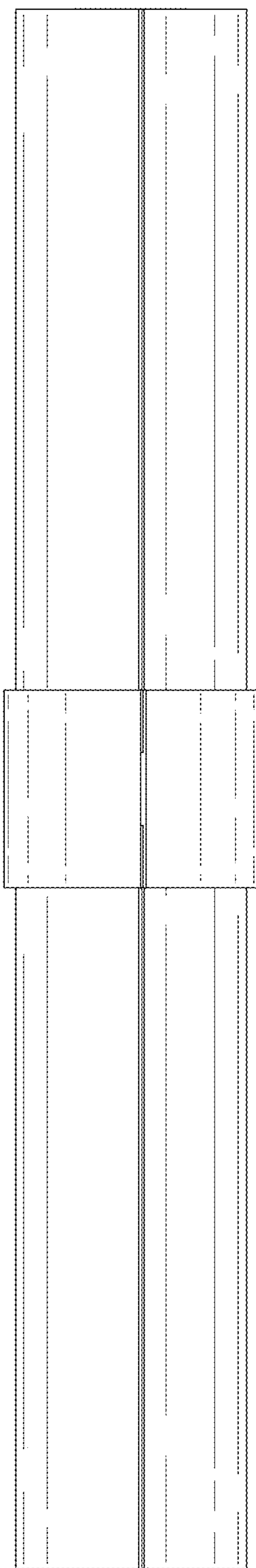


FIG. 21

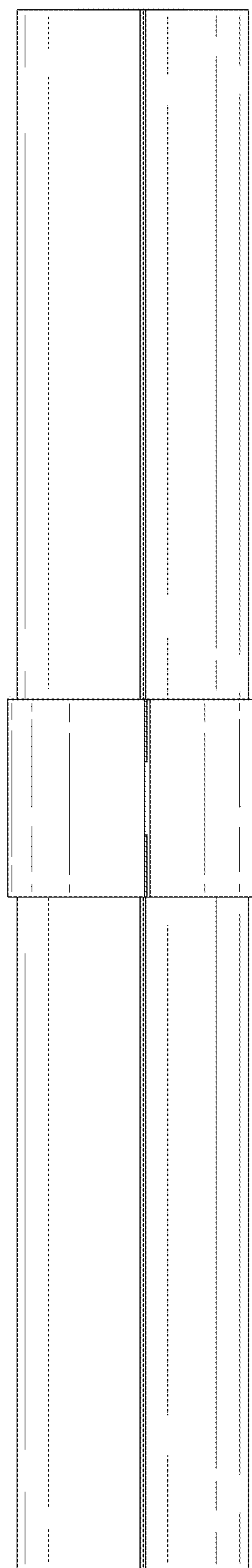


FIG. 22

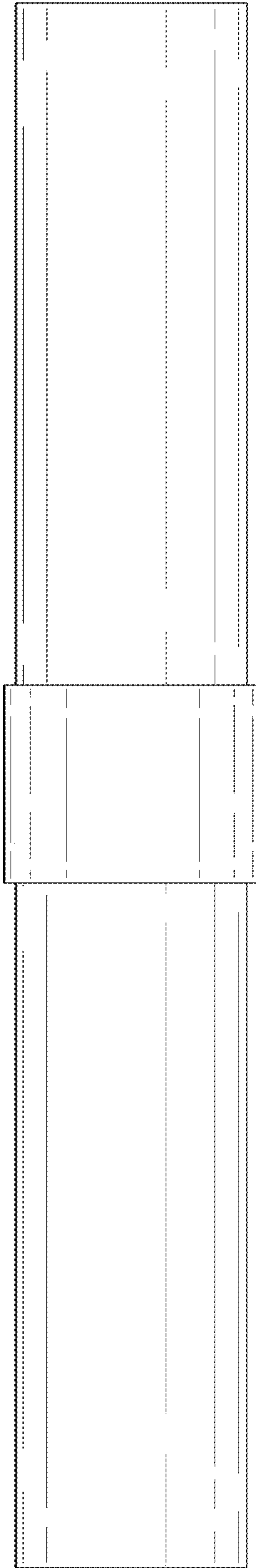


FIG. 23

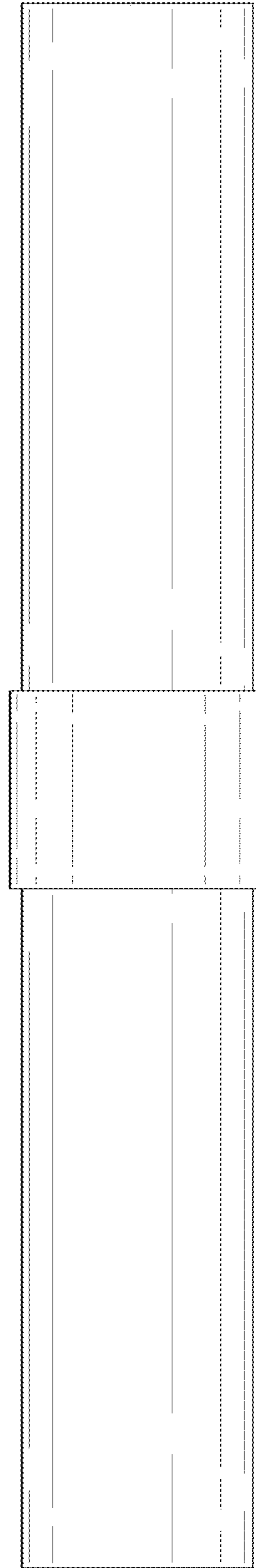


FIG. 24

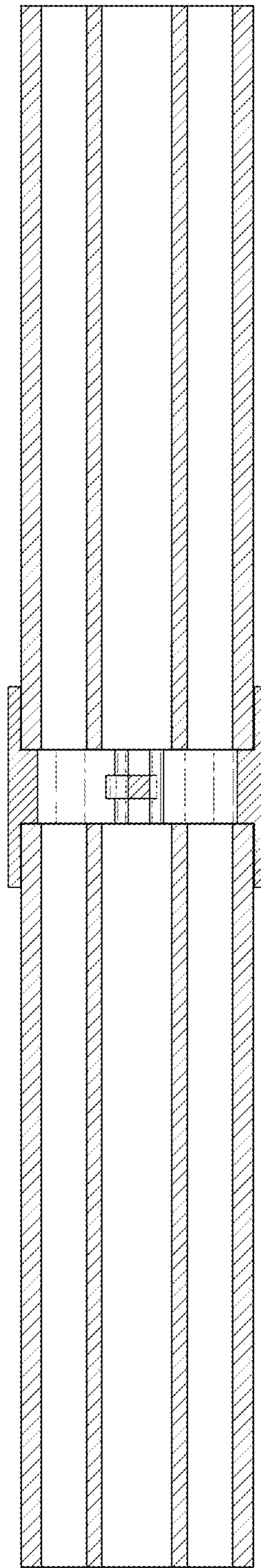


FIG. 25

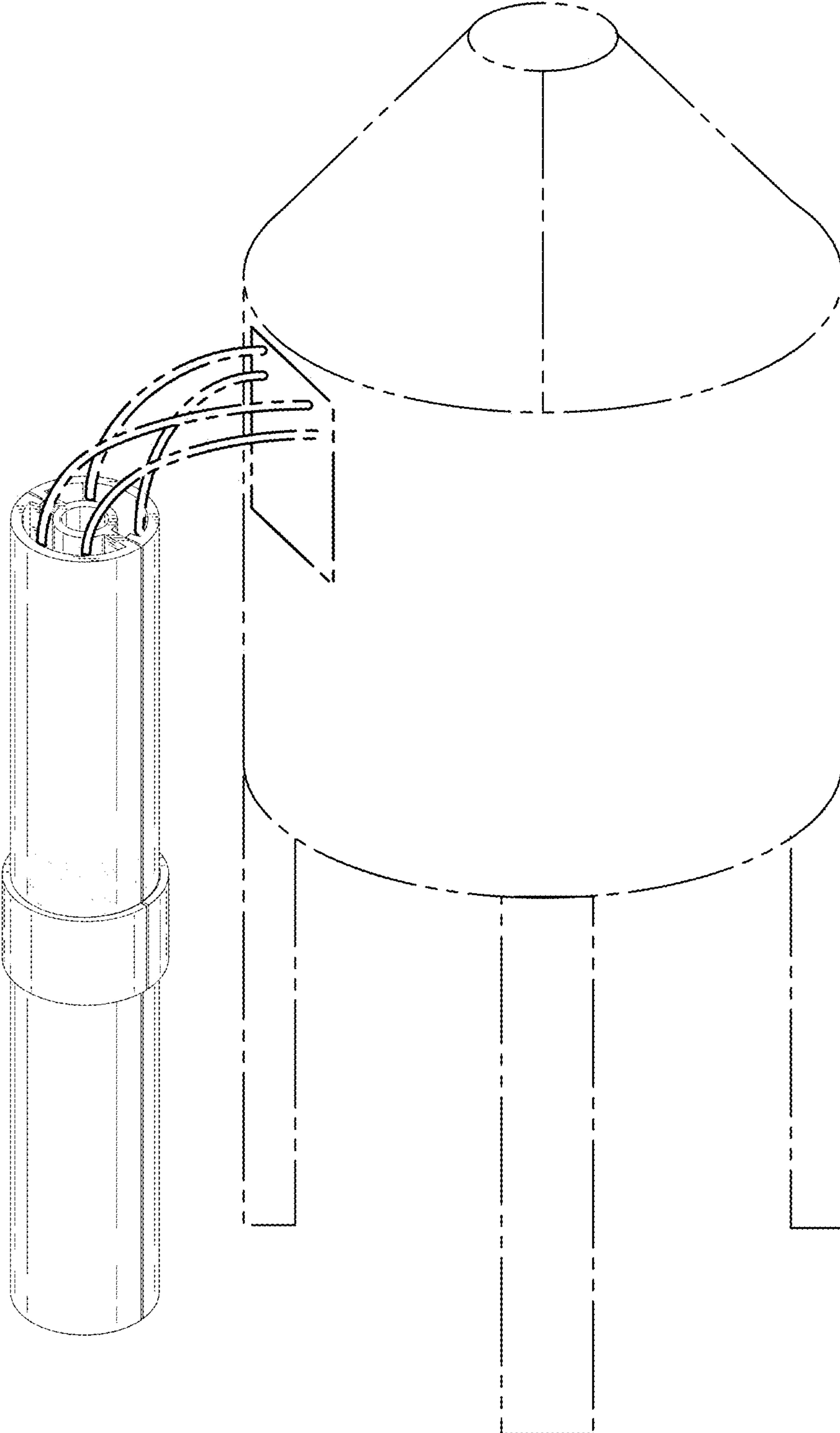


FIG. 26

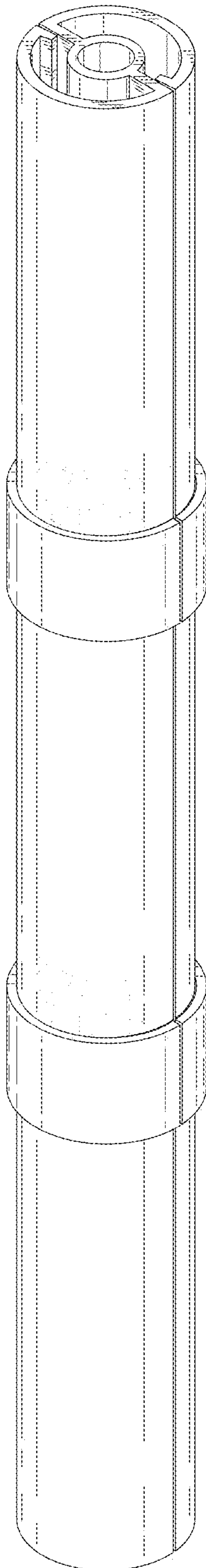


FIG. 27

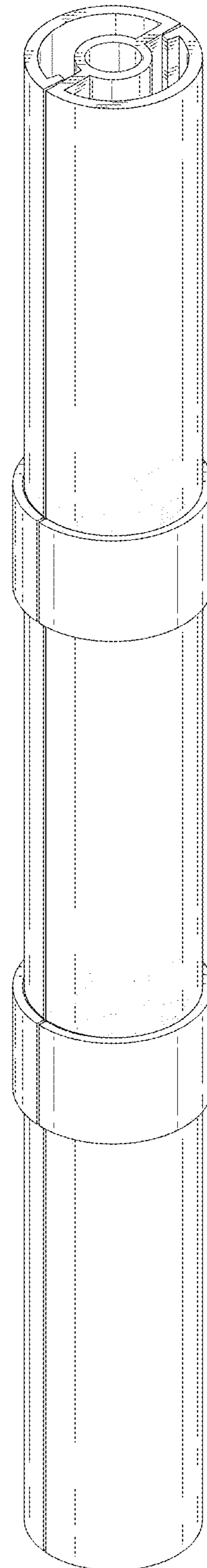


FIG. 28

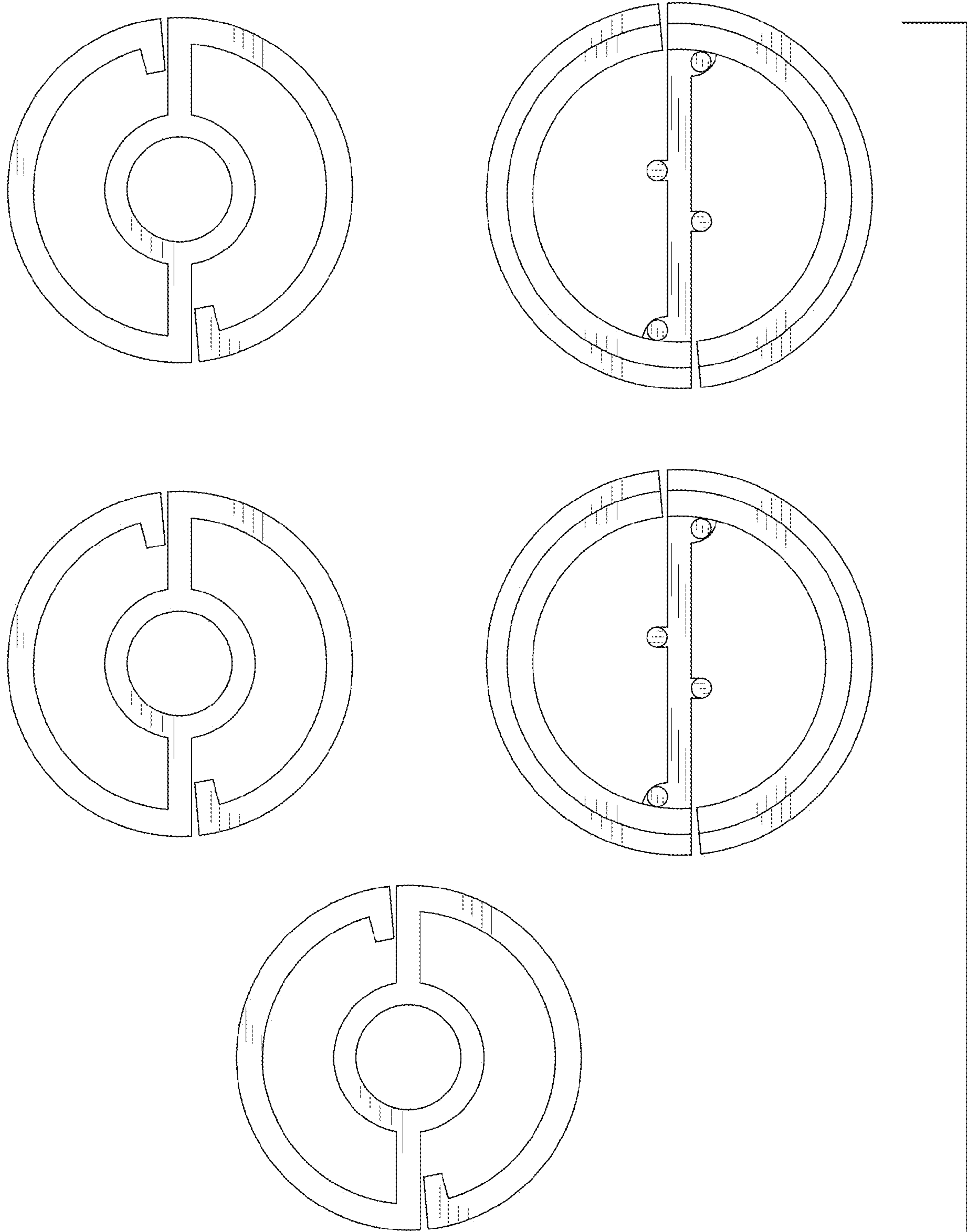


FIG. 29

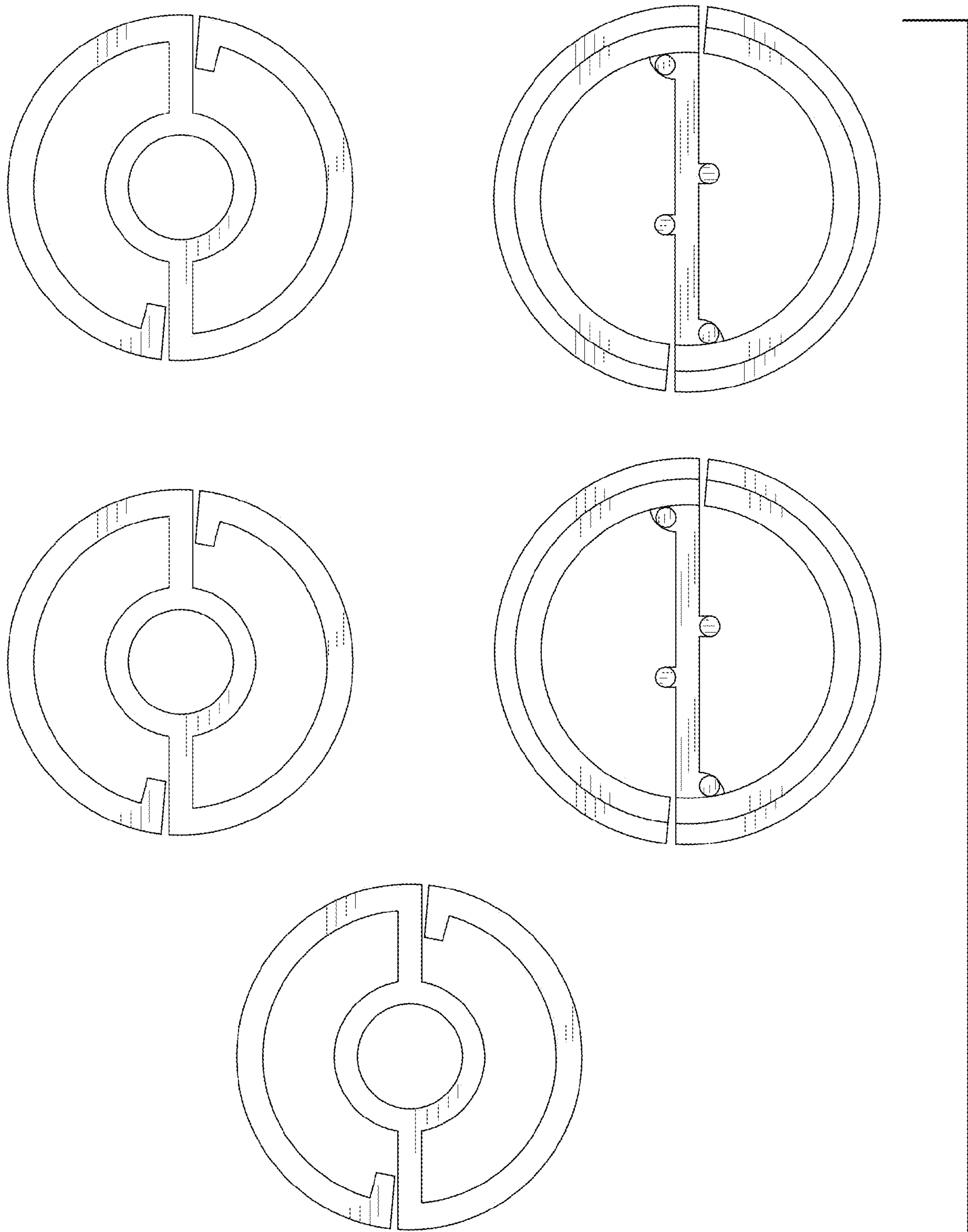


FIG. 30

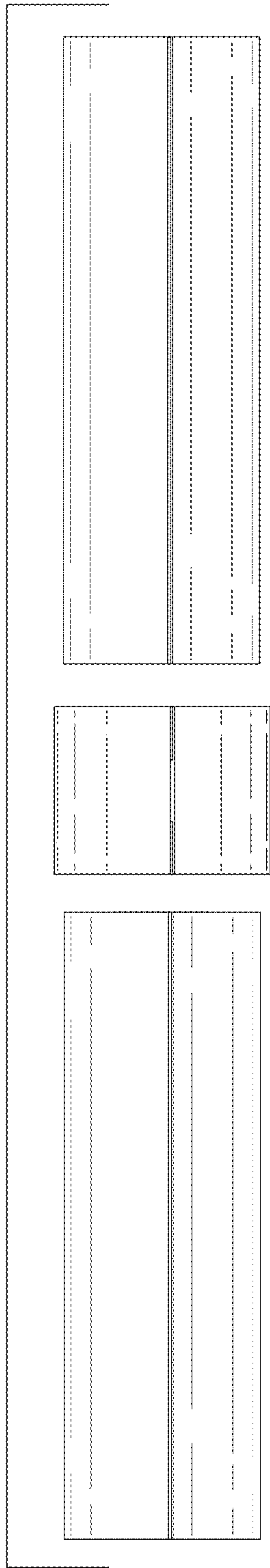


FIG. 31

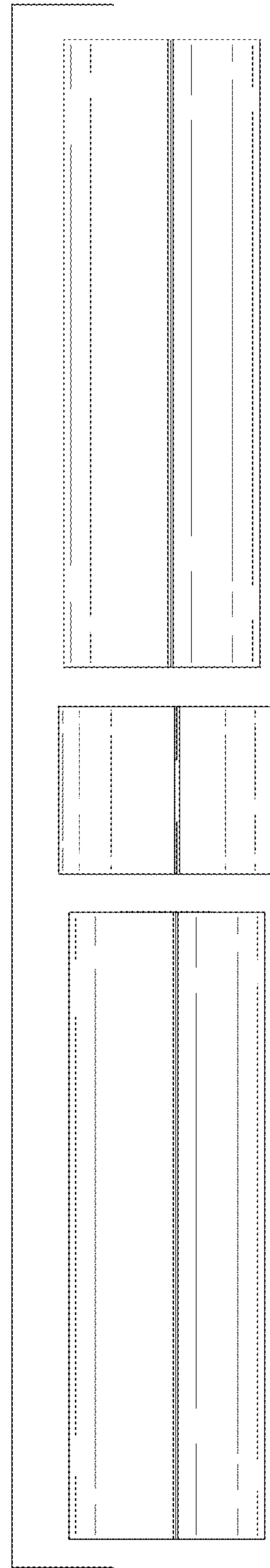
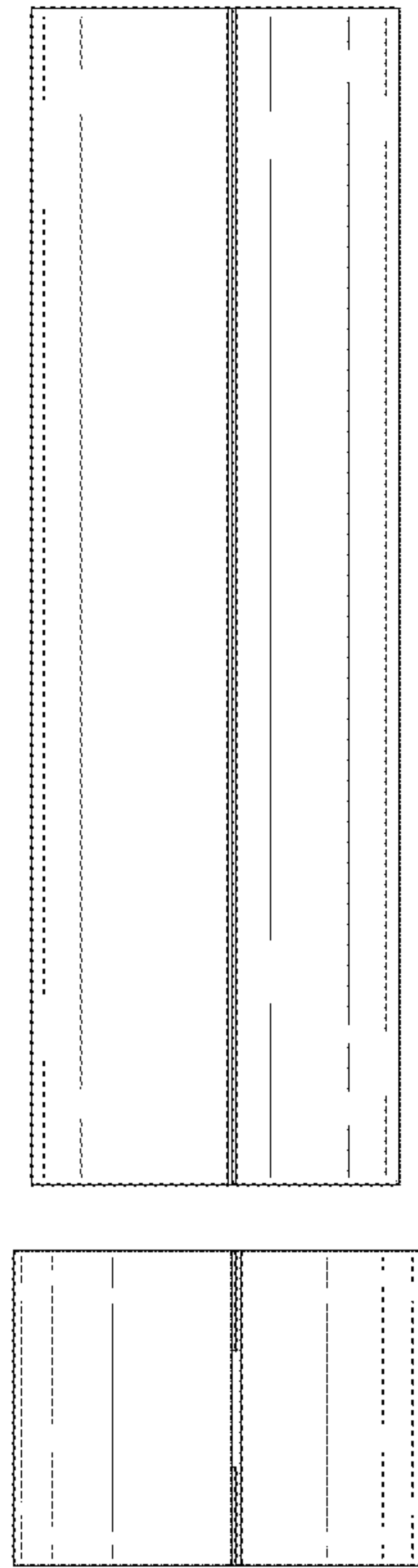
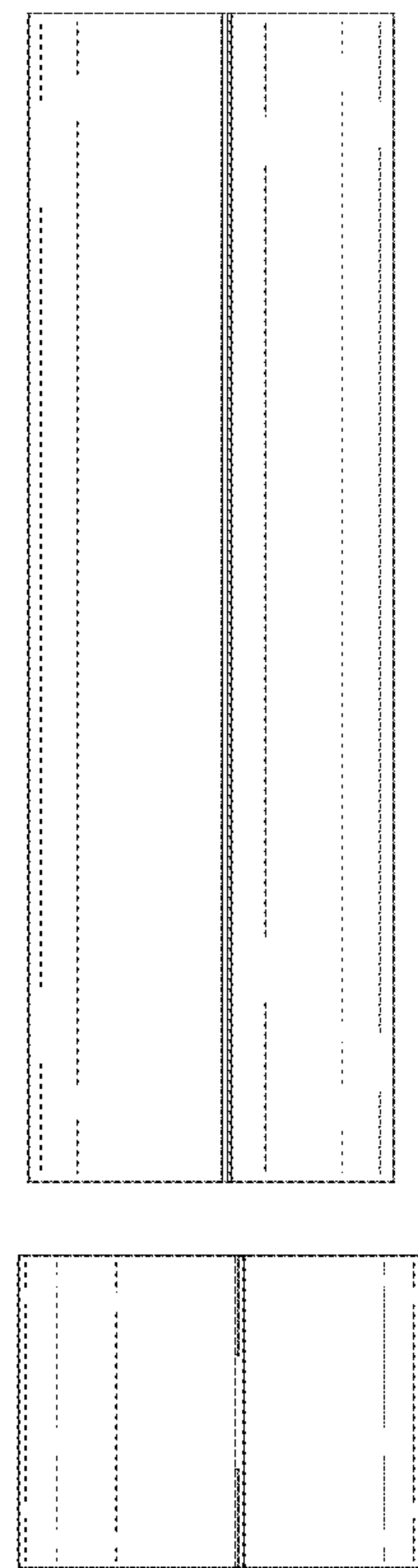


FIG. 32



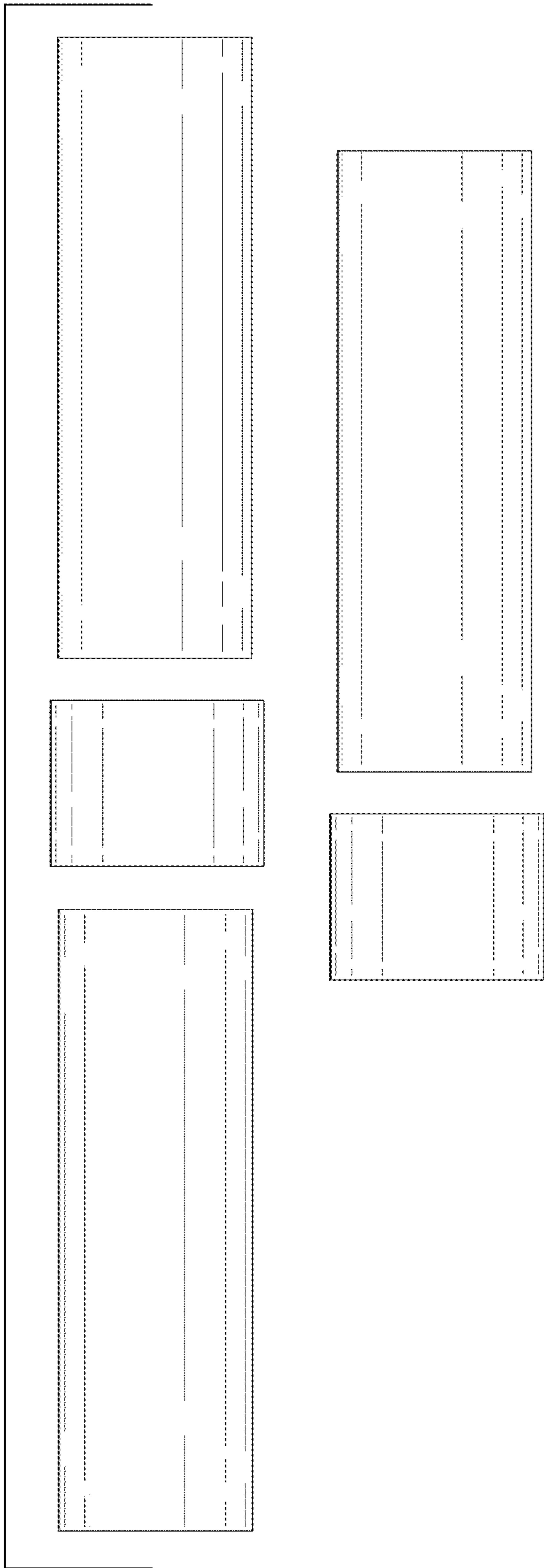


FIG. 33

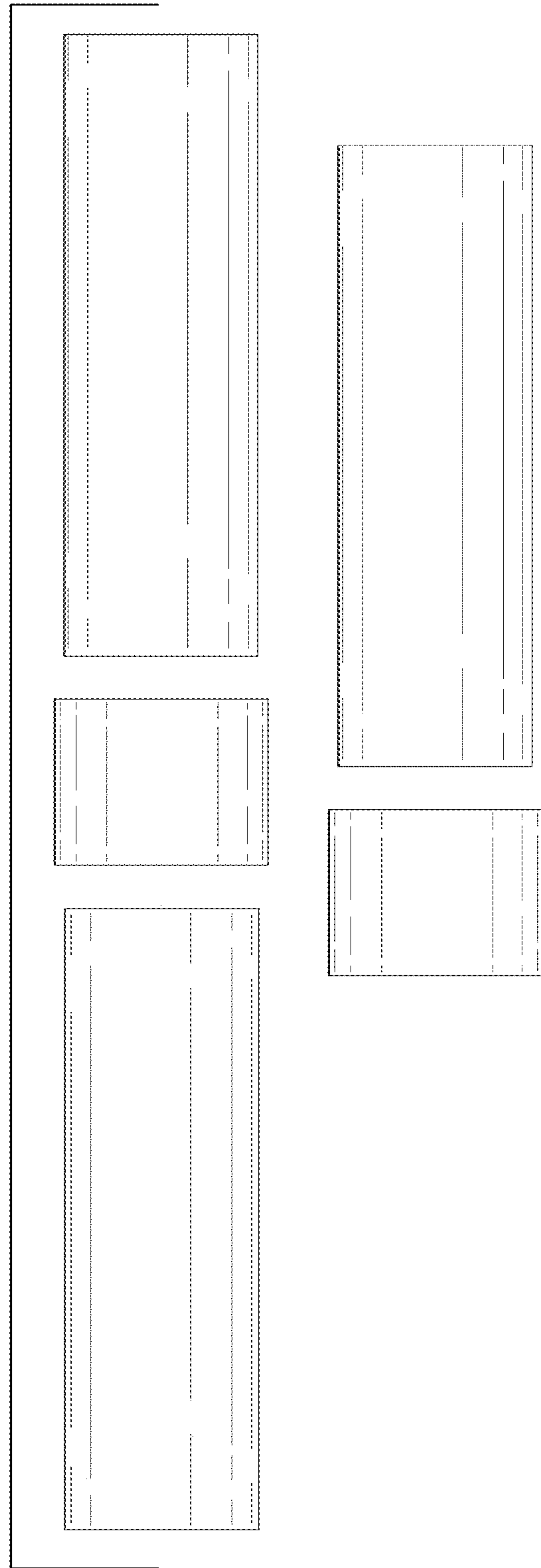


FIG. 34

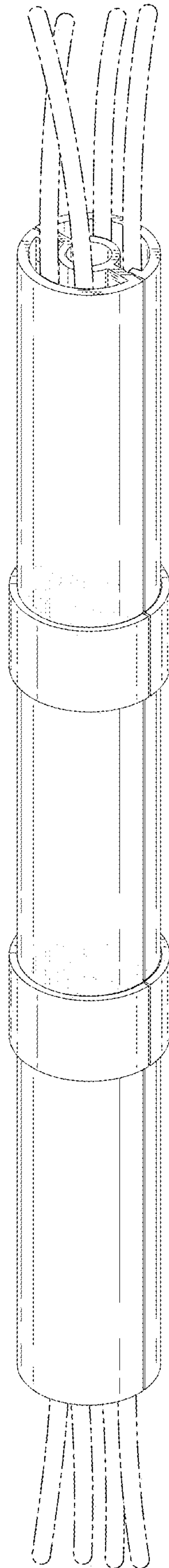


FIG. 35

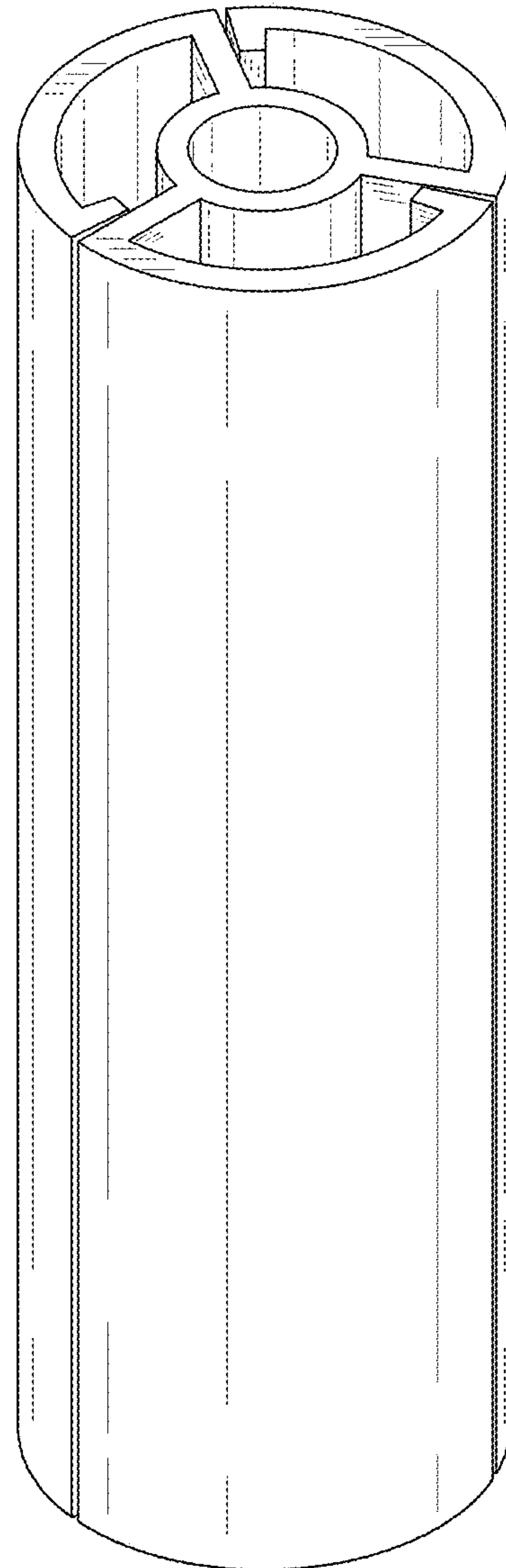
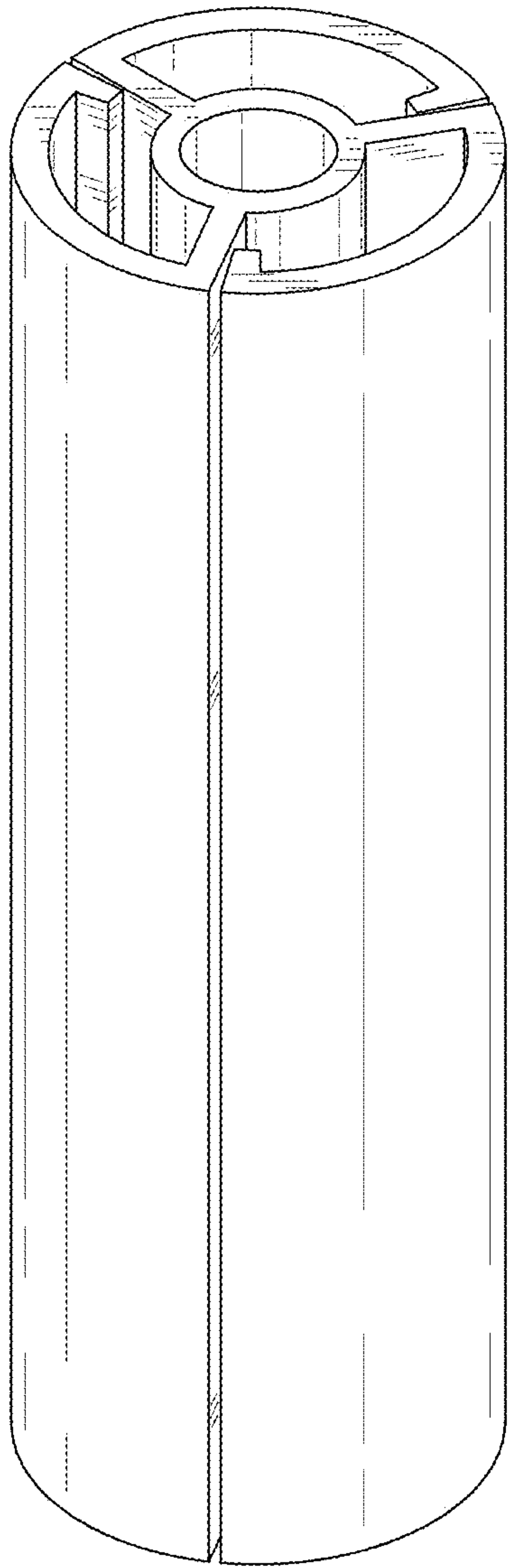
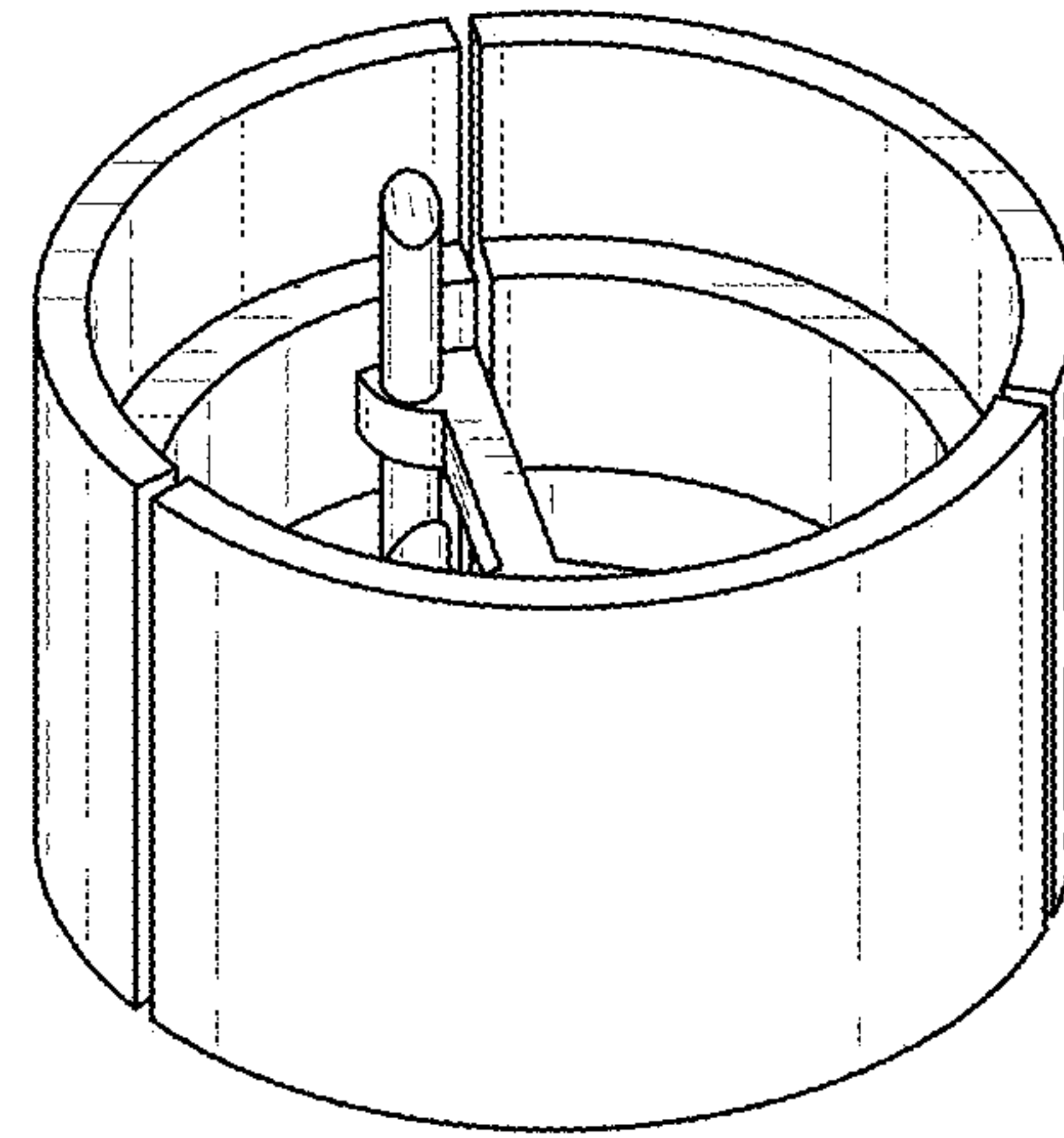
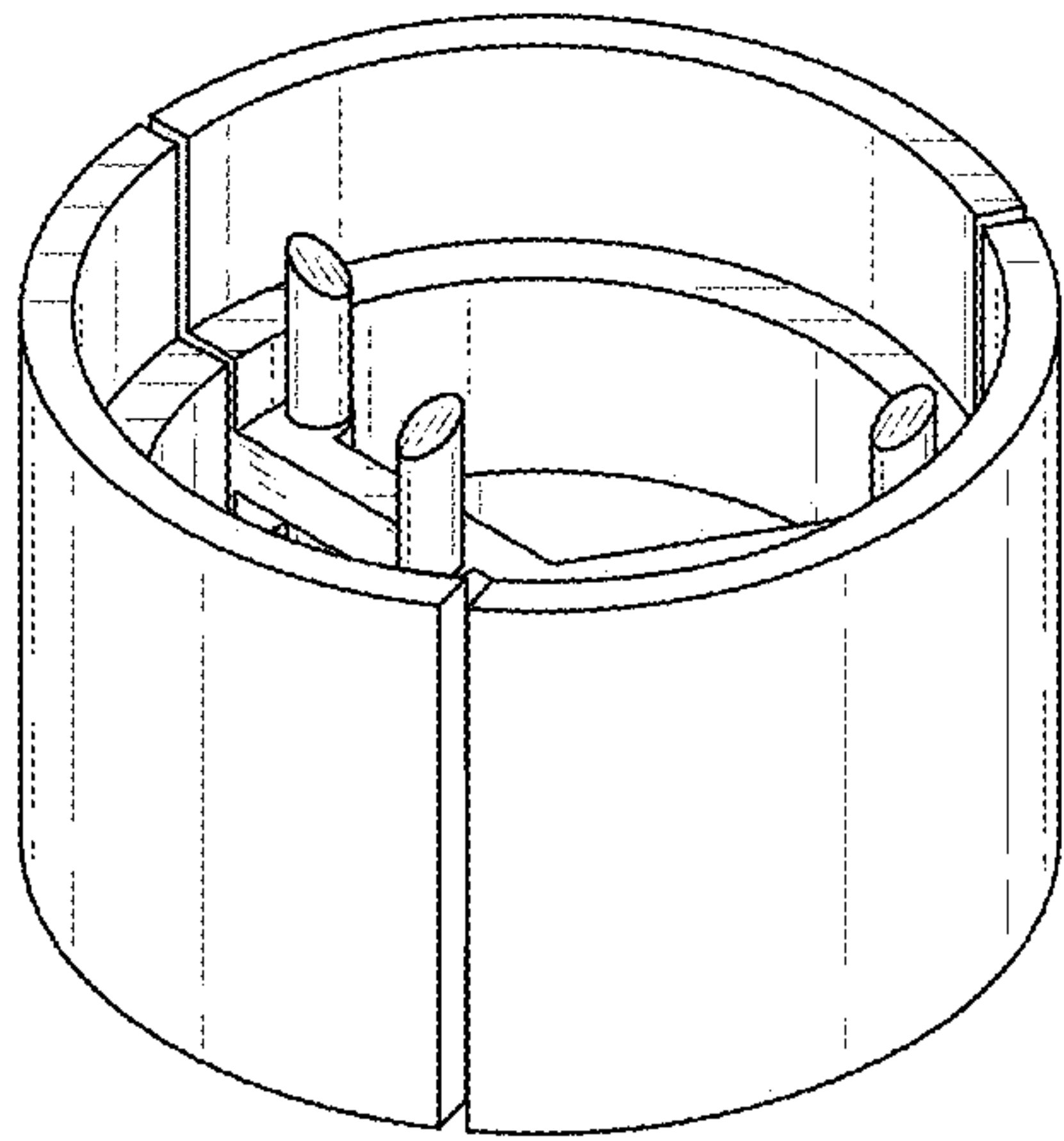


FIG. 36

FIG. 37

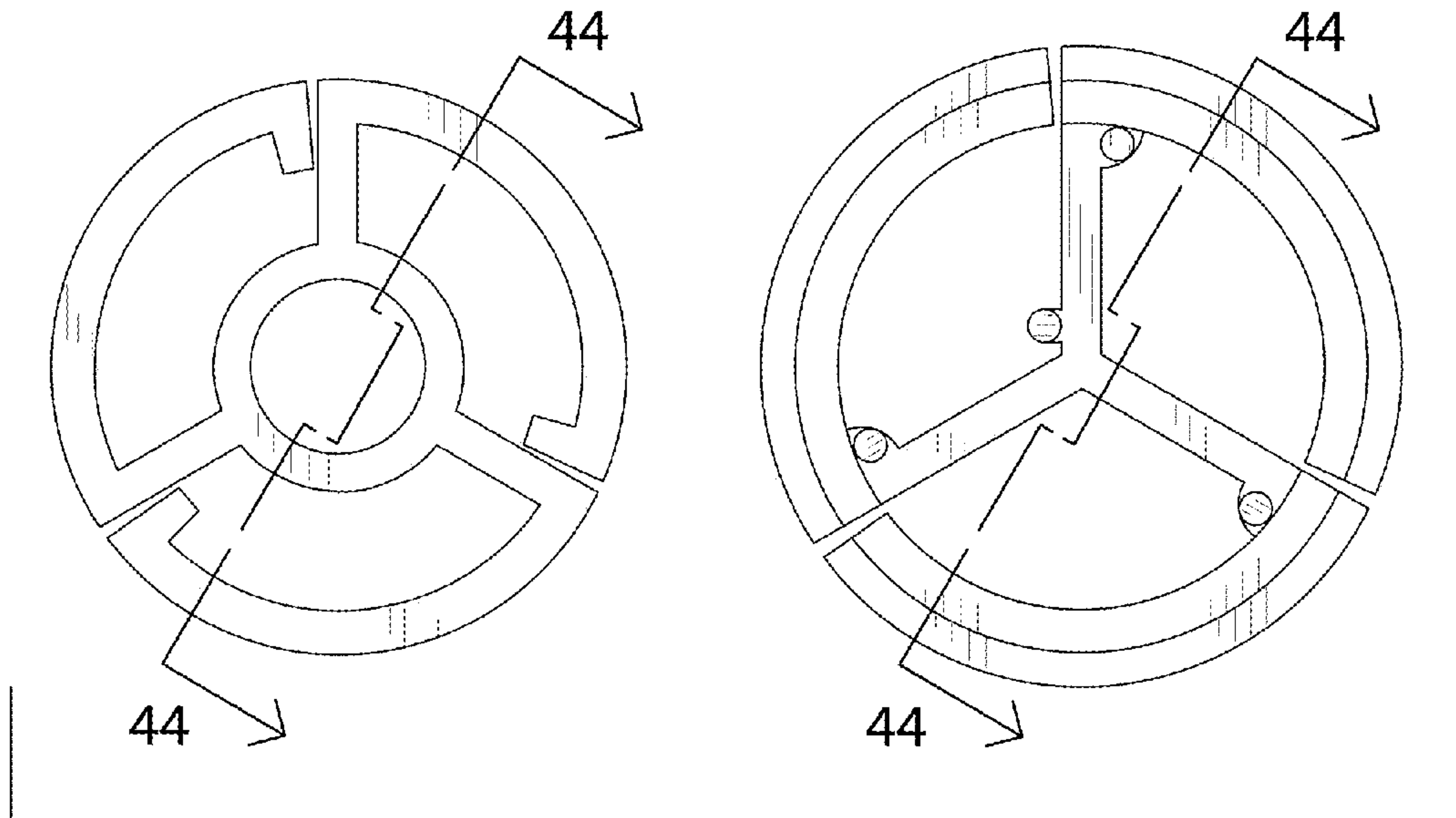


FIG. 38

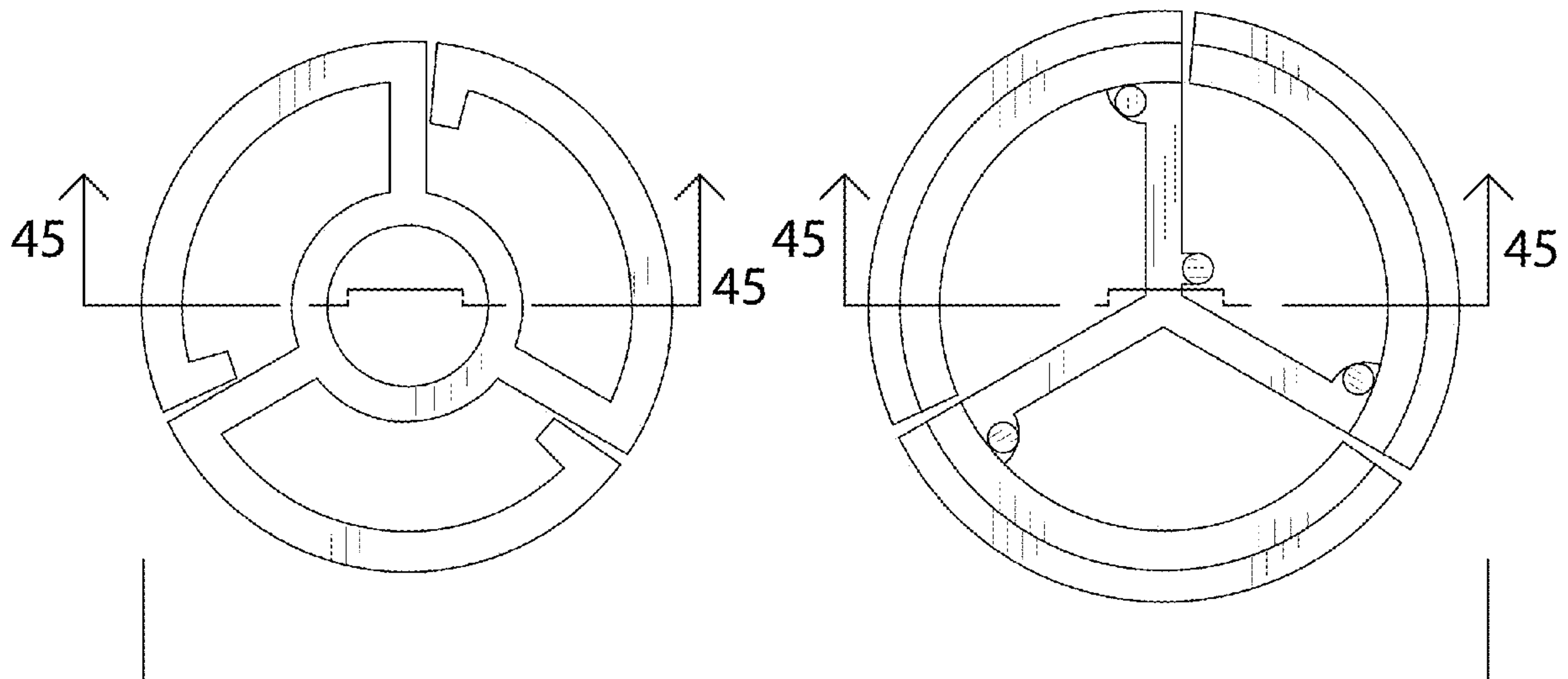


FIG. 39

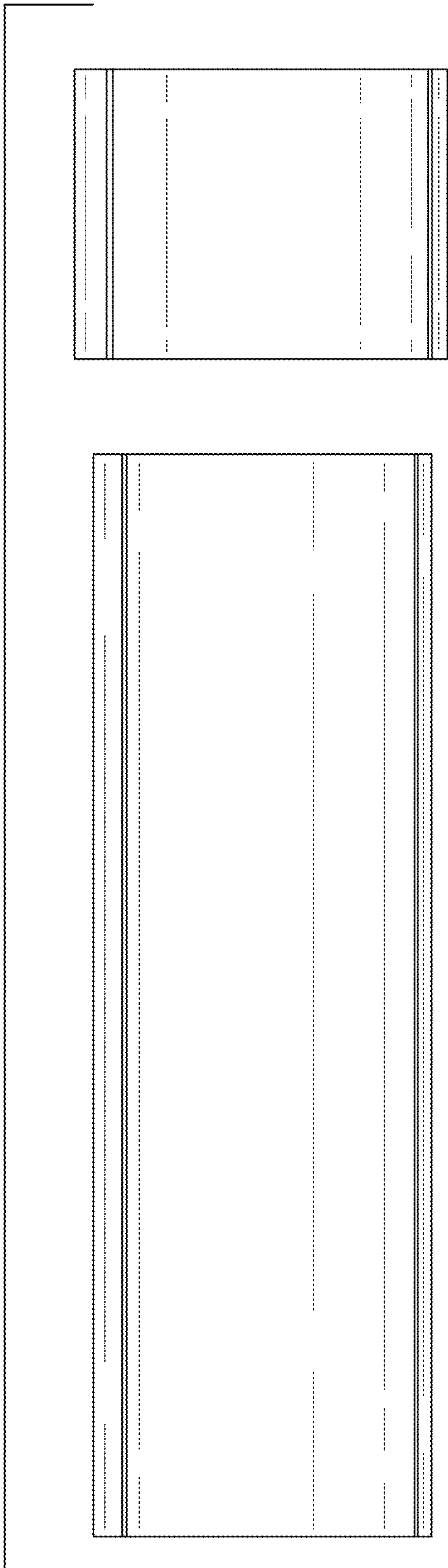


FIG. 40

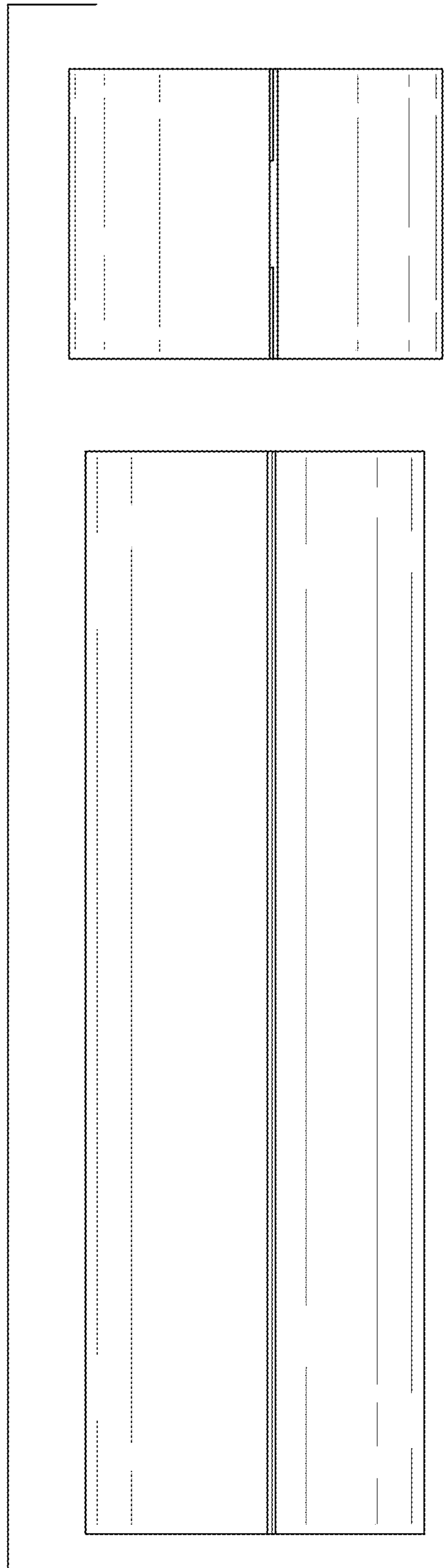


FIG. 41

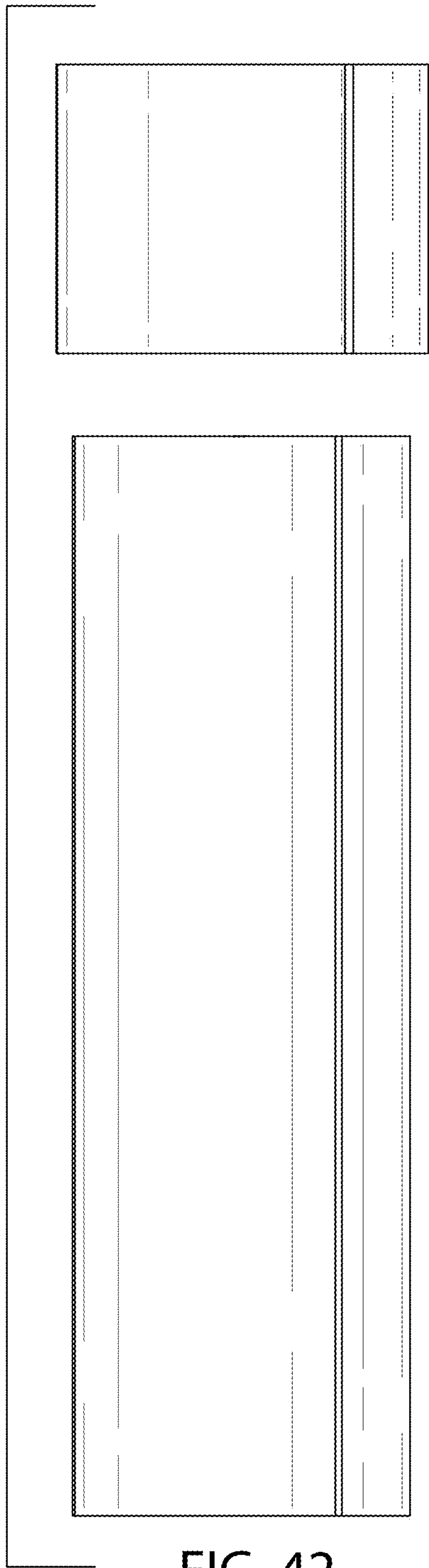


FIG. 42

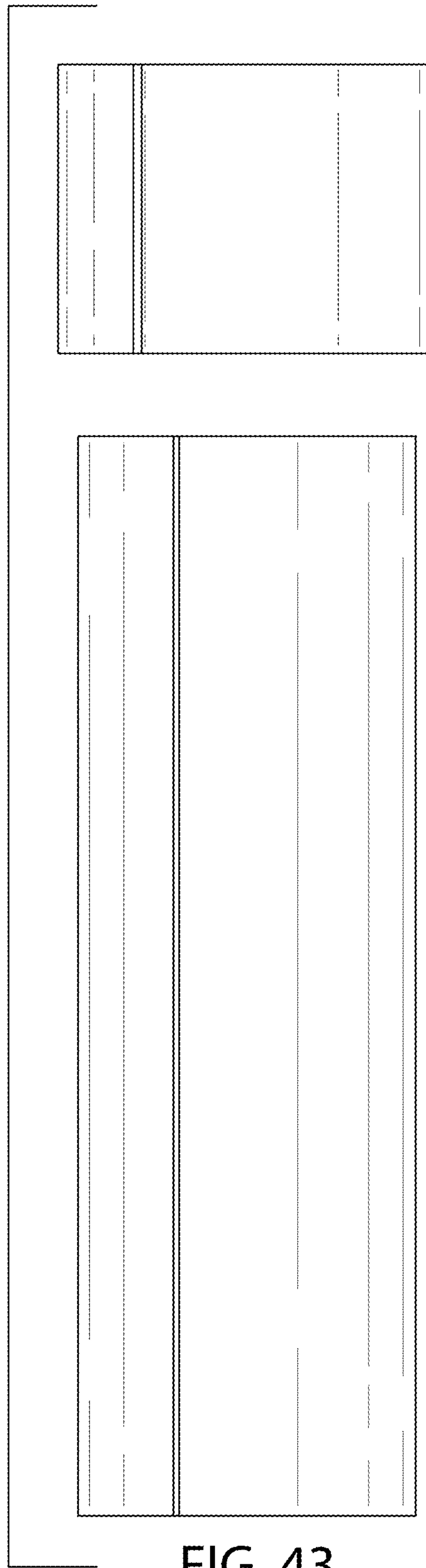


FIG. 43

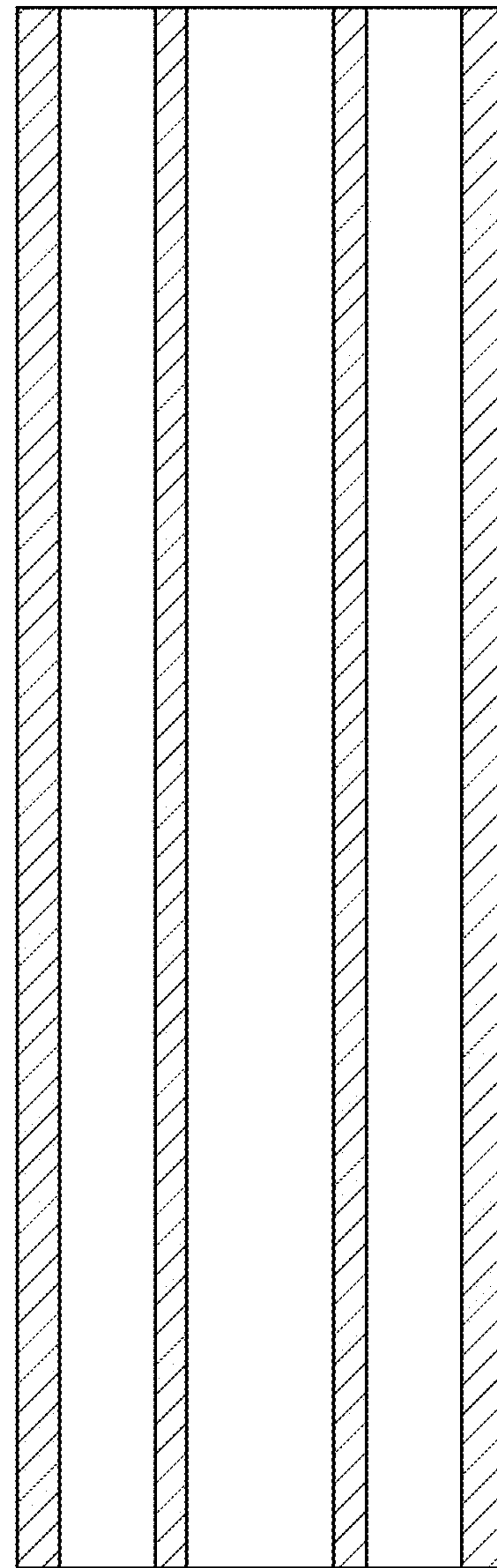
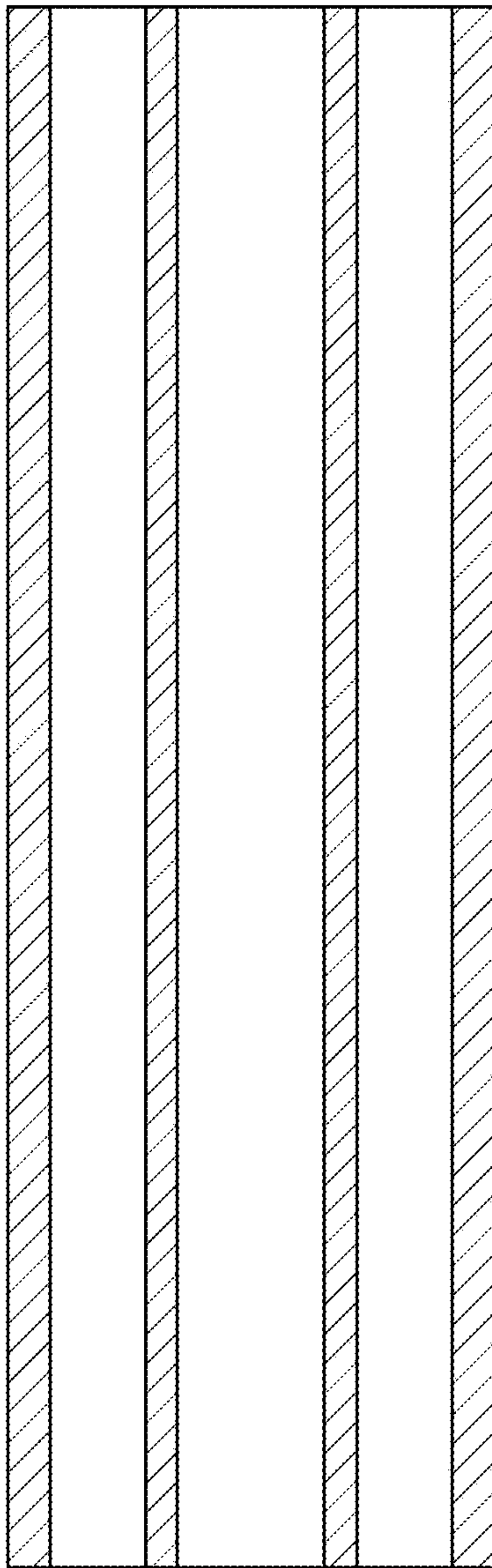
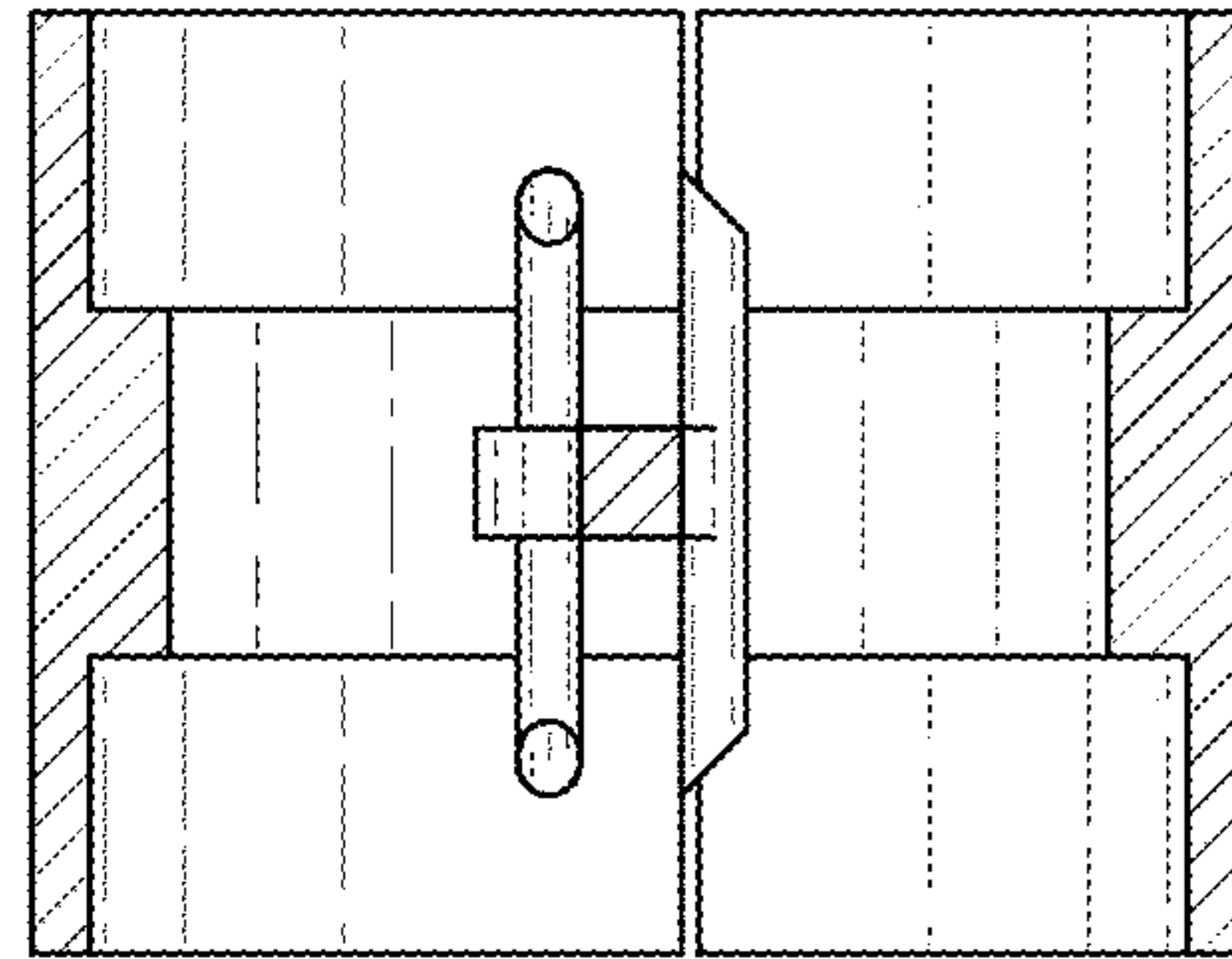
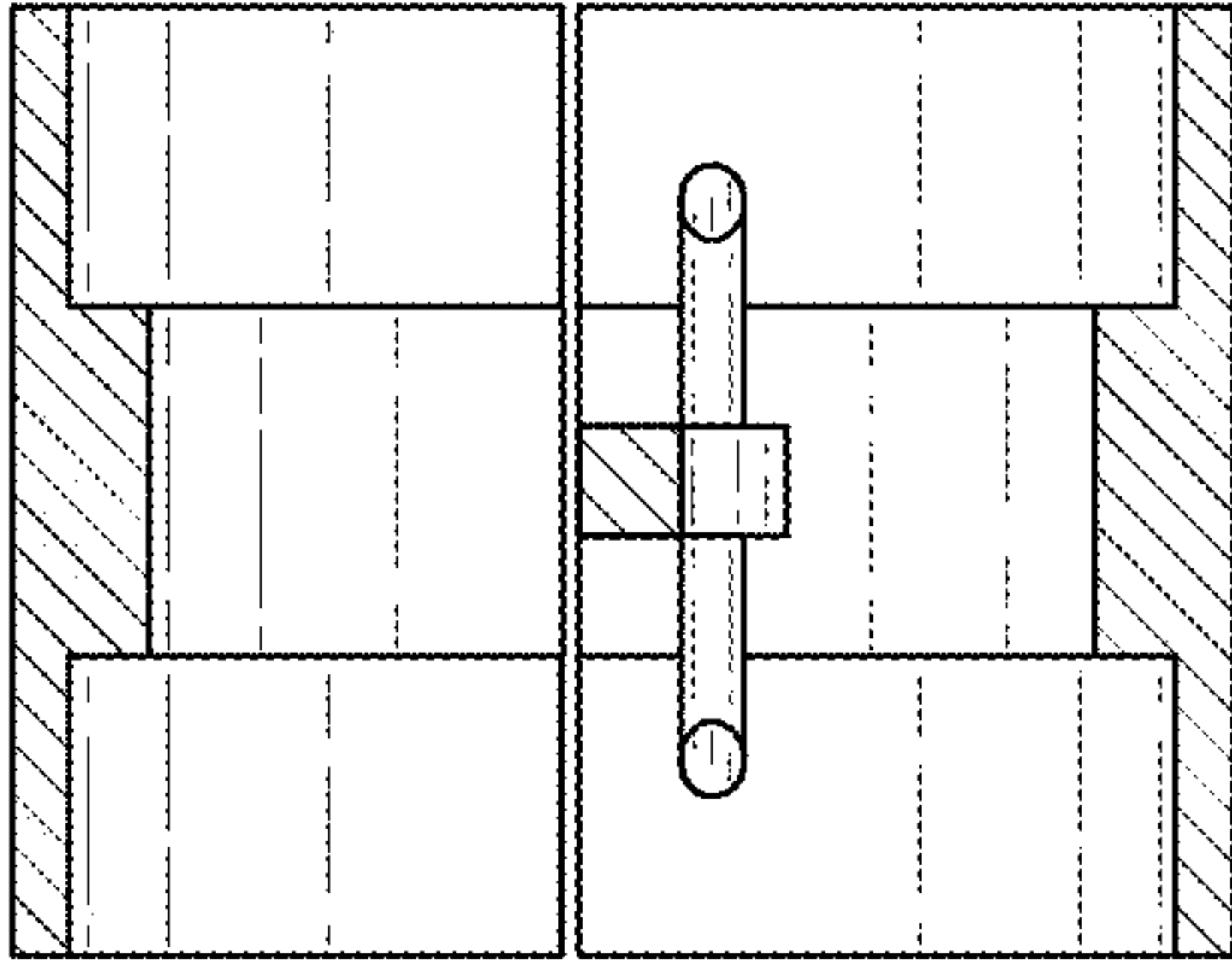


FIG. 44

FIG. 45

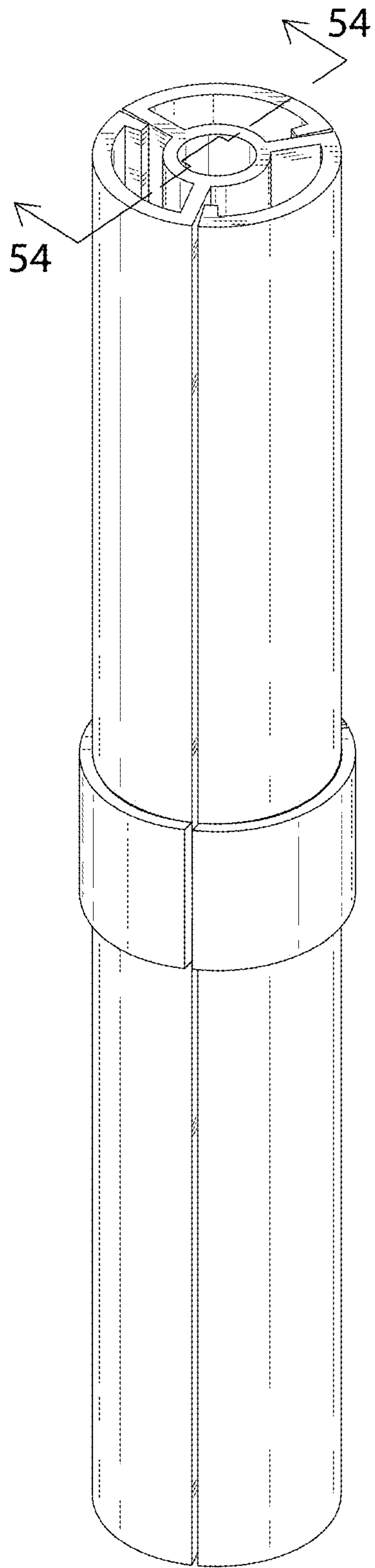


FIG. 46

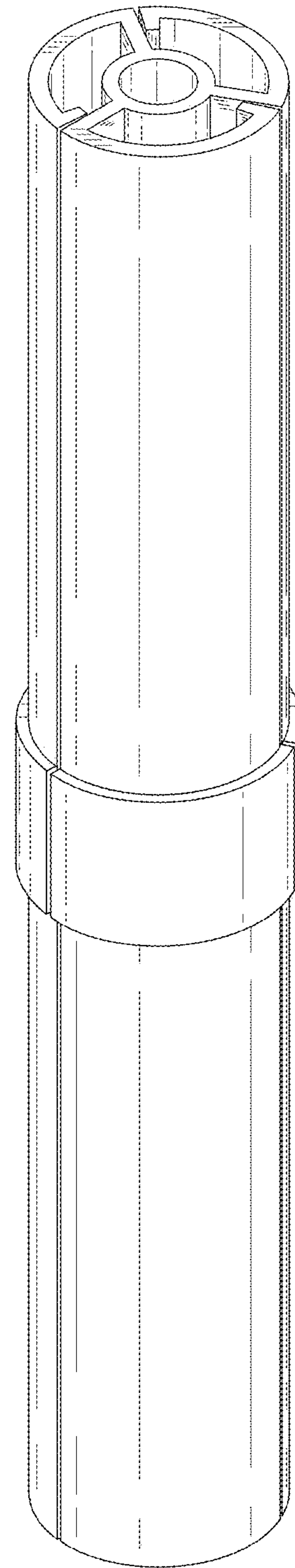


FIG. 47

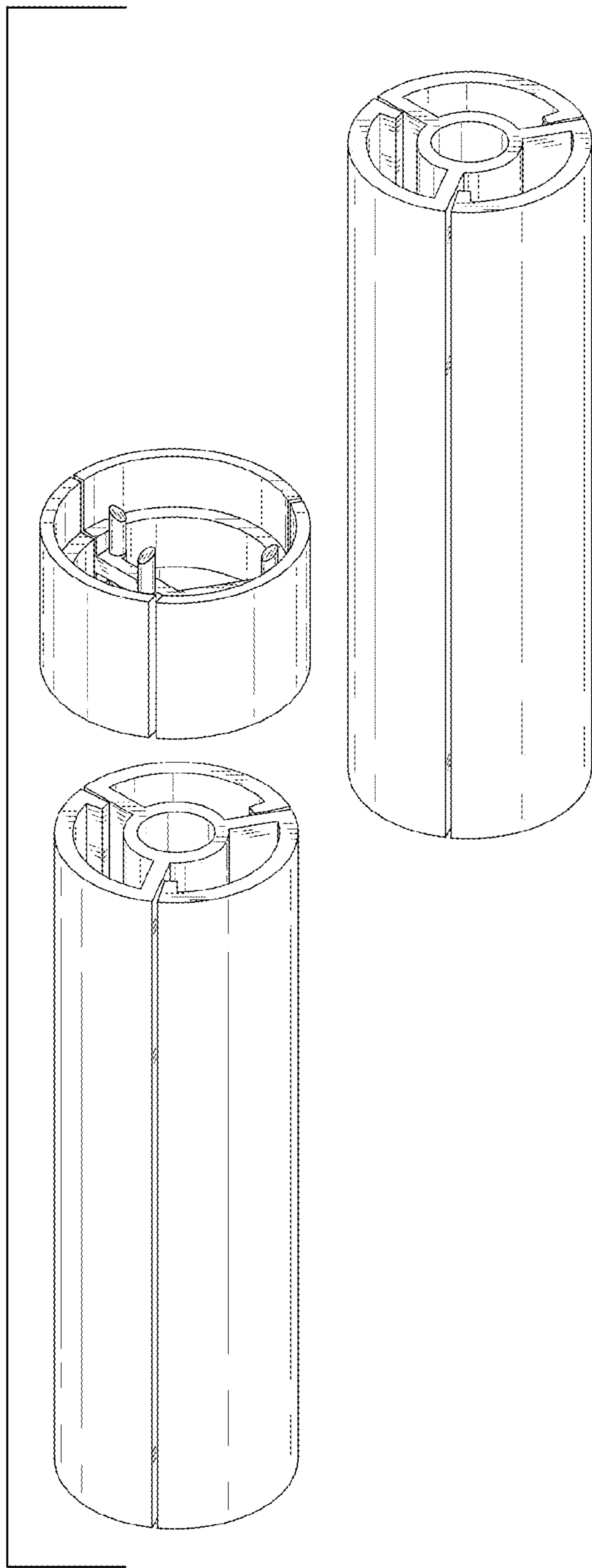


FIG. 48

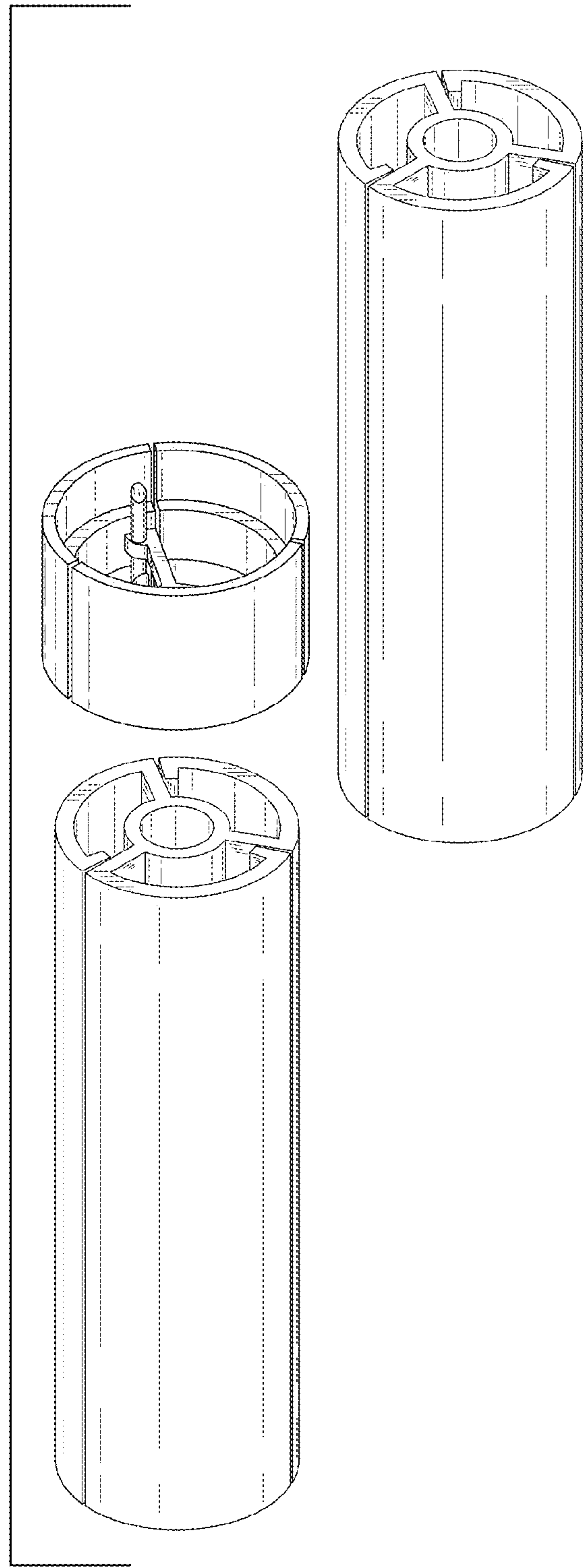


FIG. 49

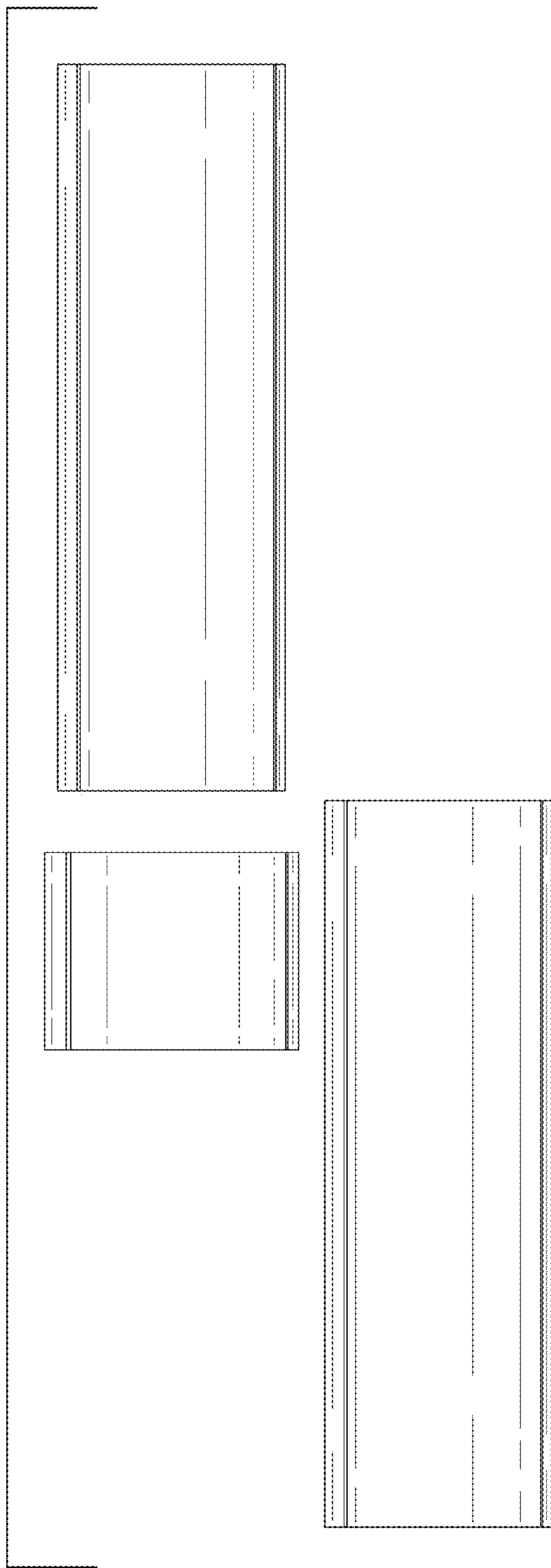


FIG. 50

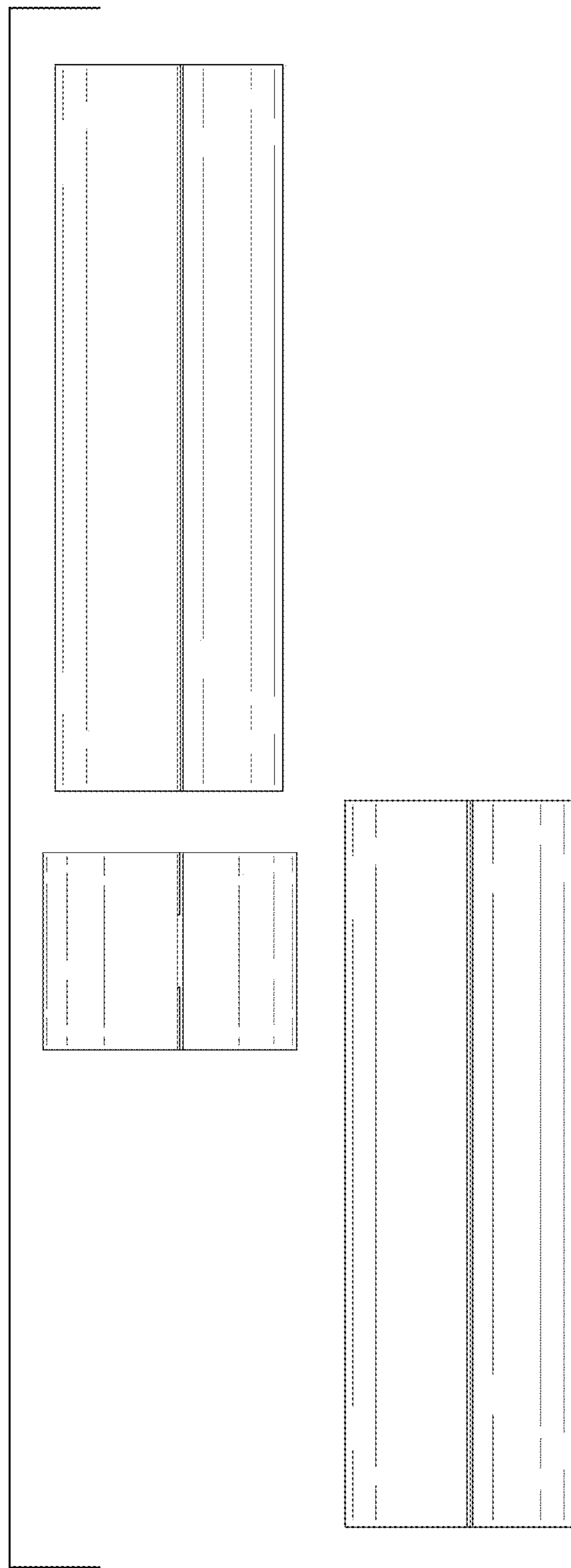


FIG. 51

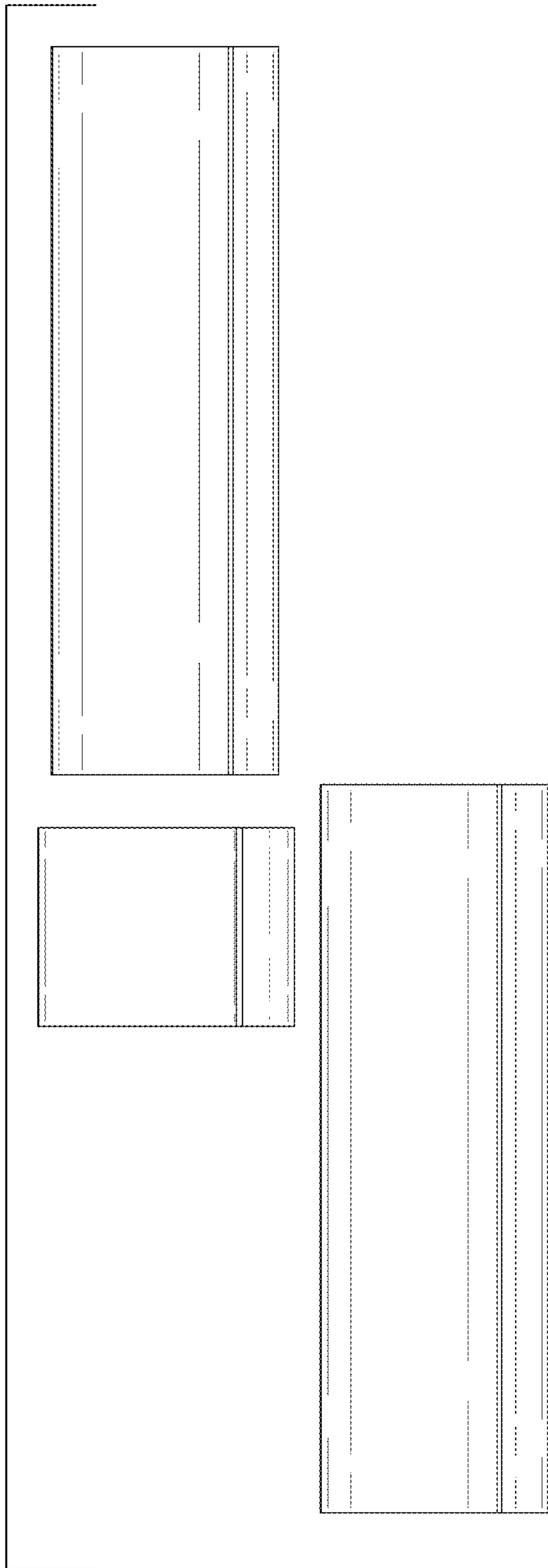


FIG. 52

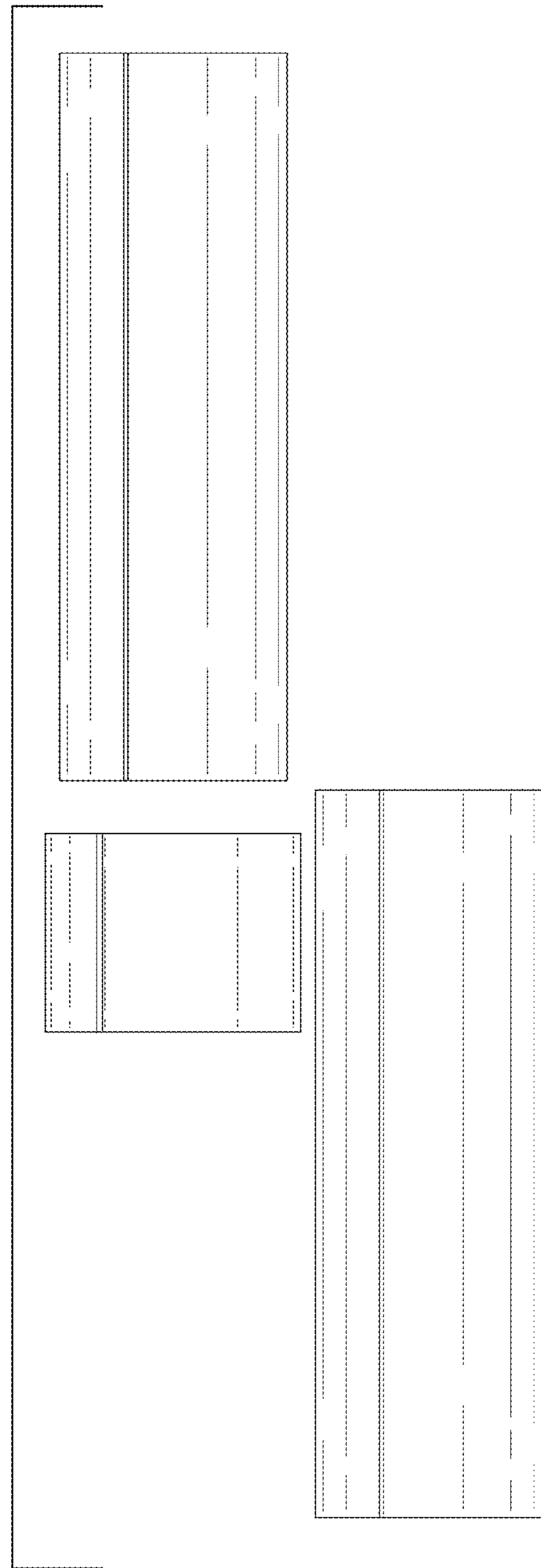


FIG. 53

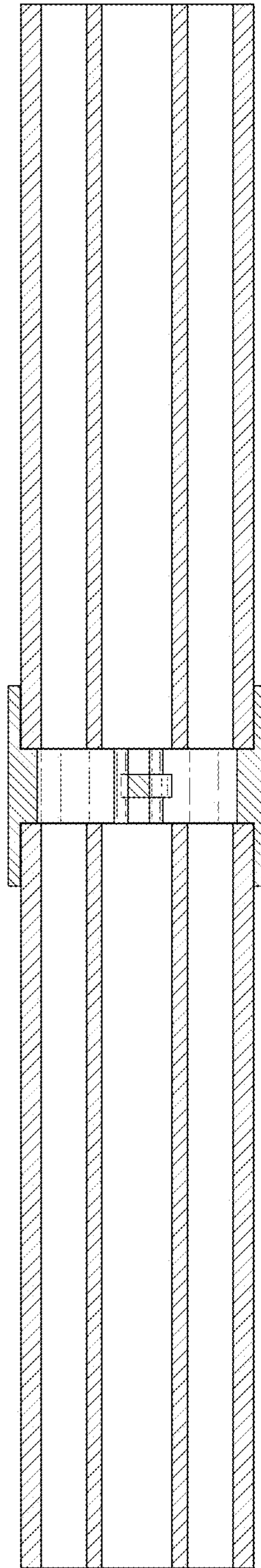


FIG. 54

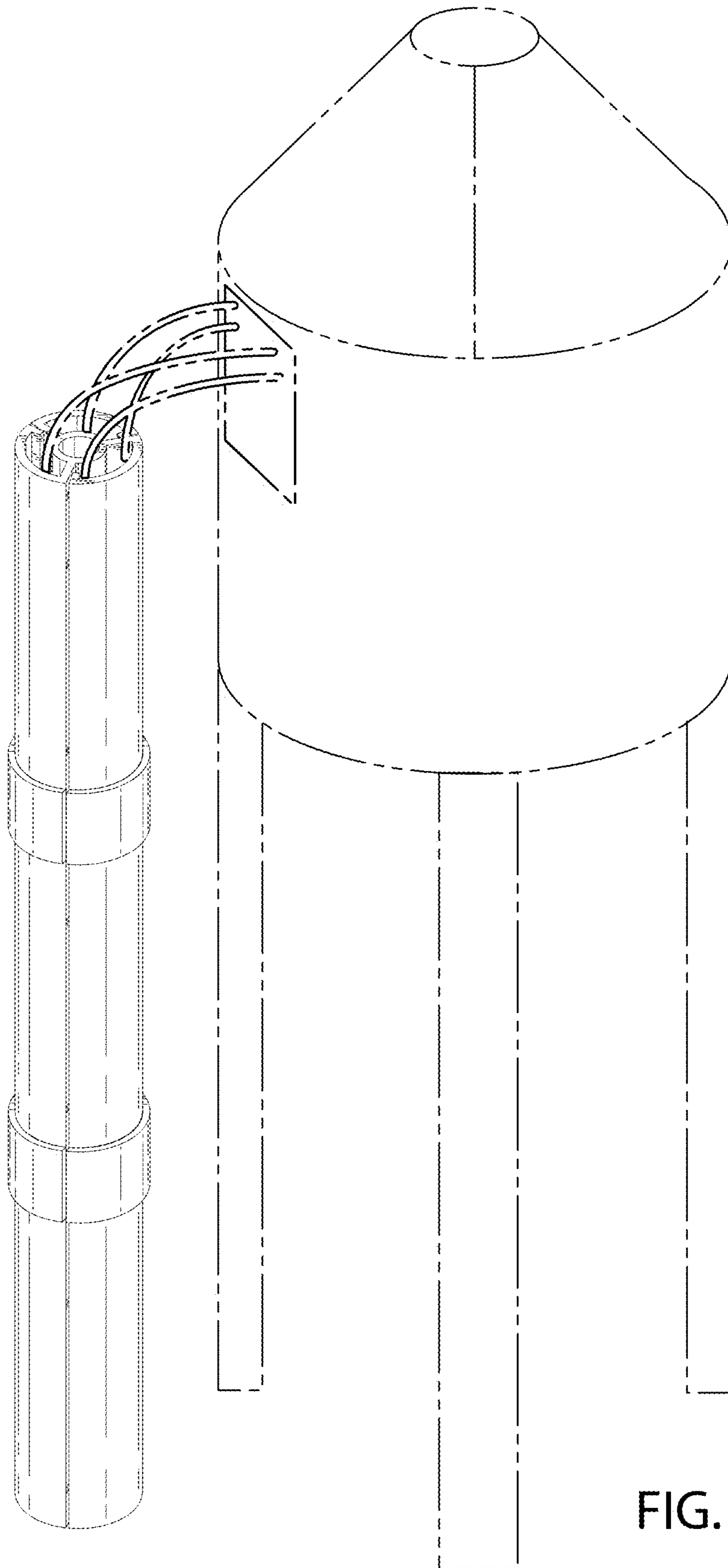


FIG. 55

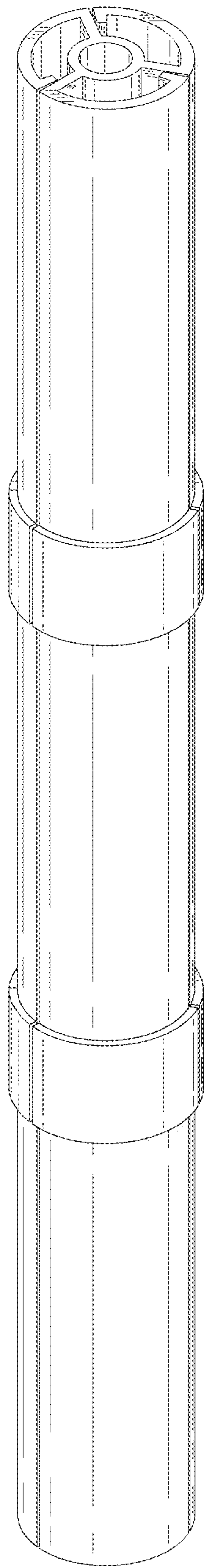


FIG. 56

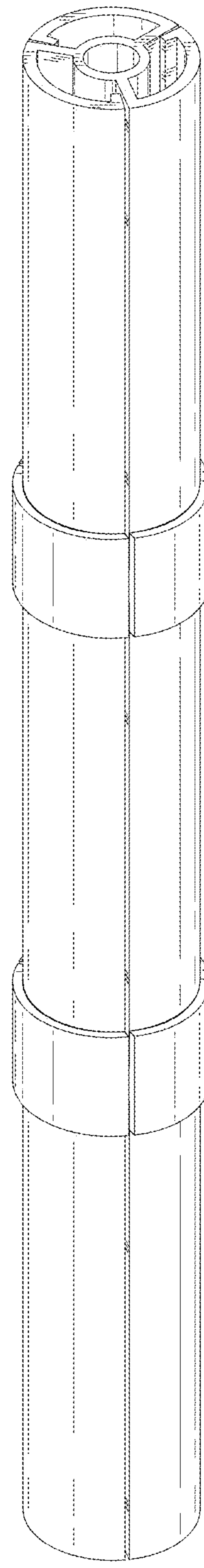


FIG. 57

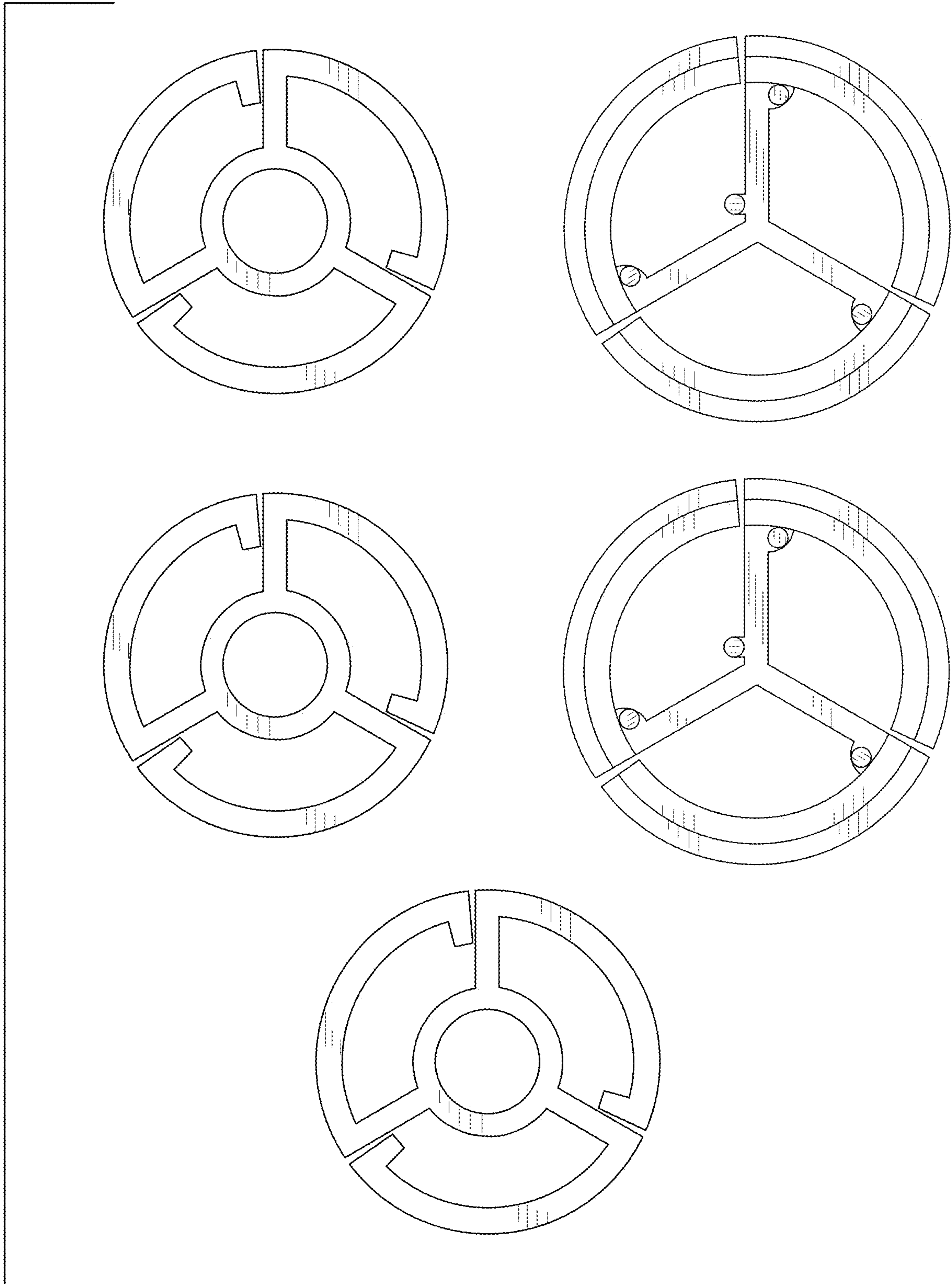


FIG. 58

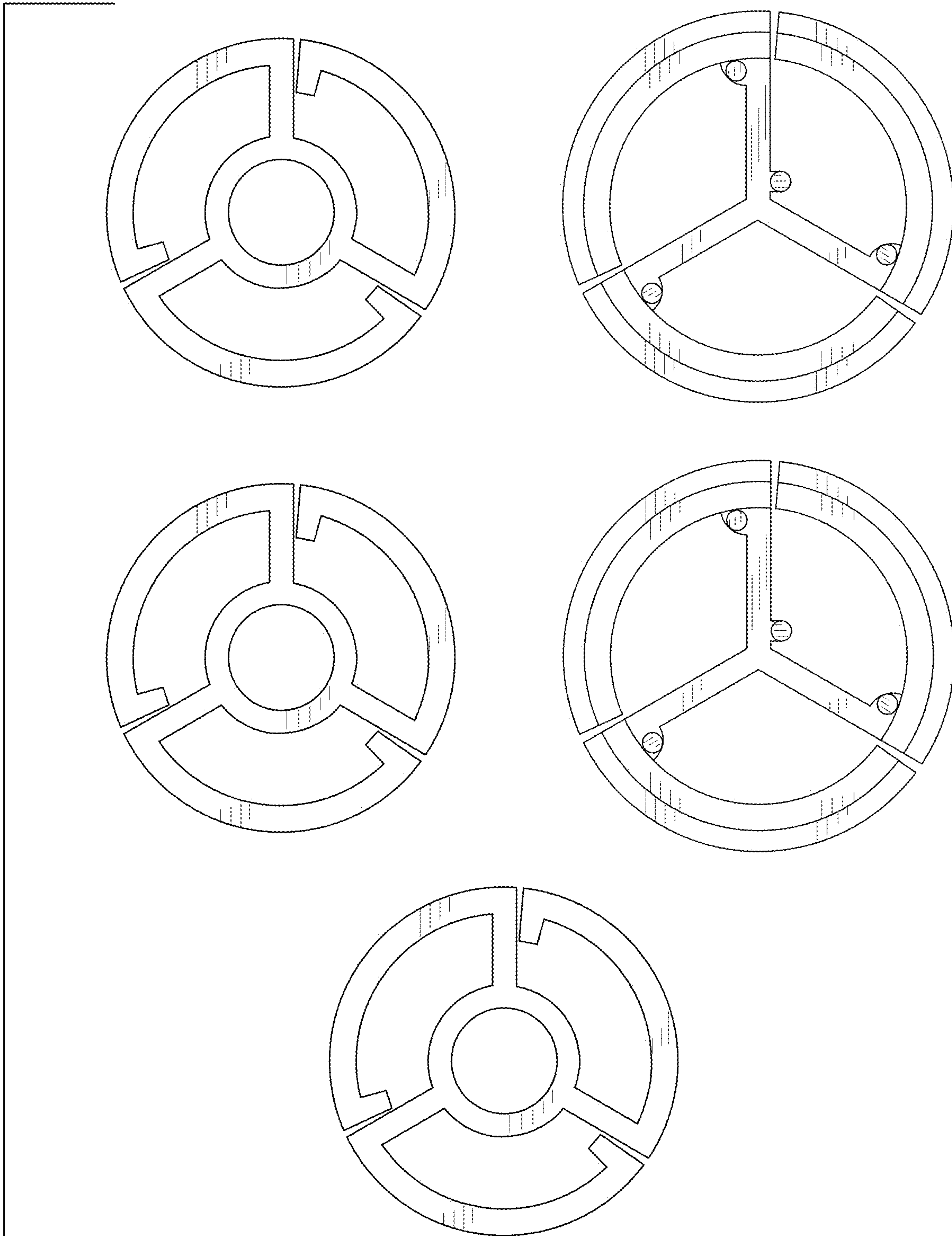


FIG. 59

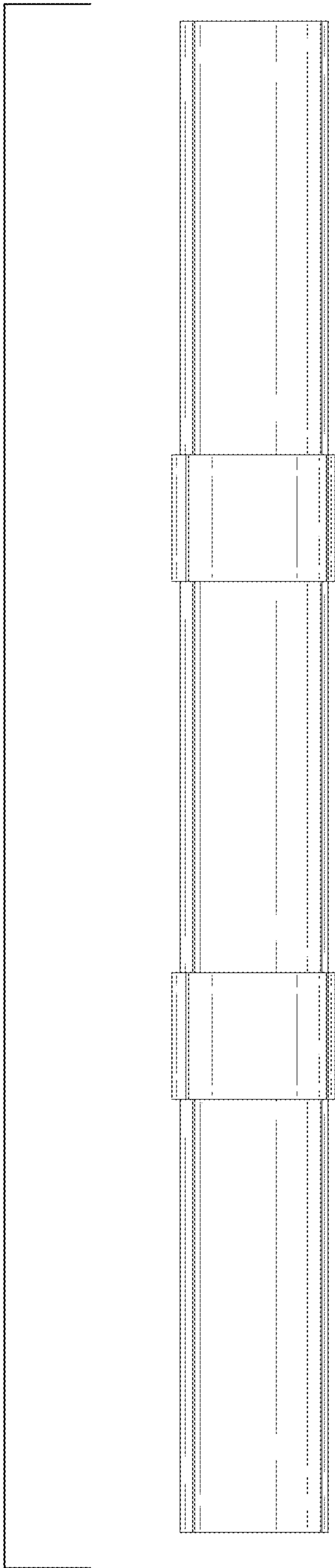


FIG. 60

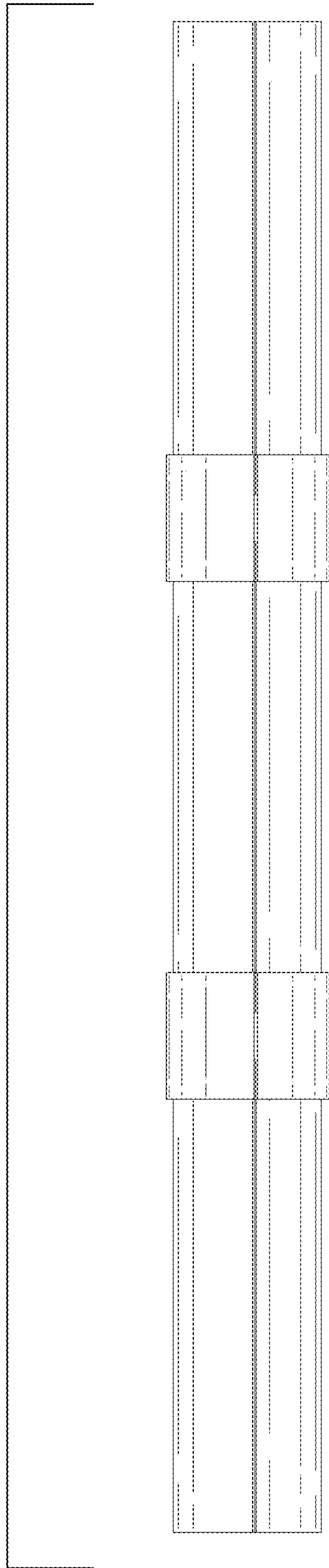


FIG. 61

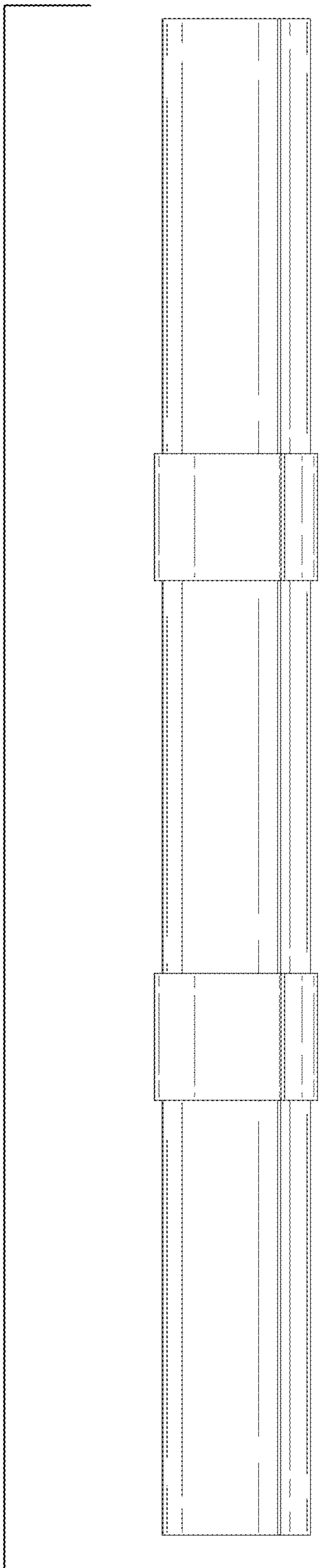


FIG. 62

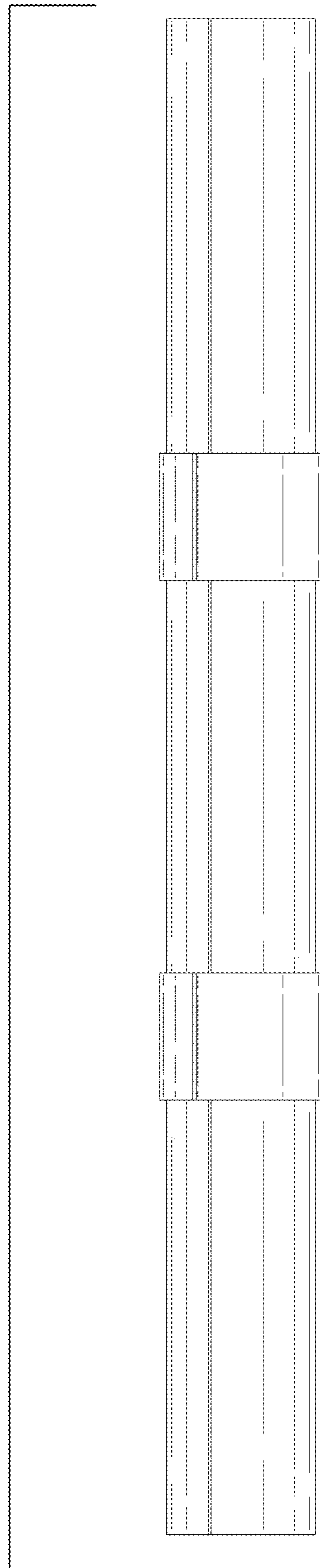


FIG. 63

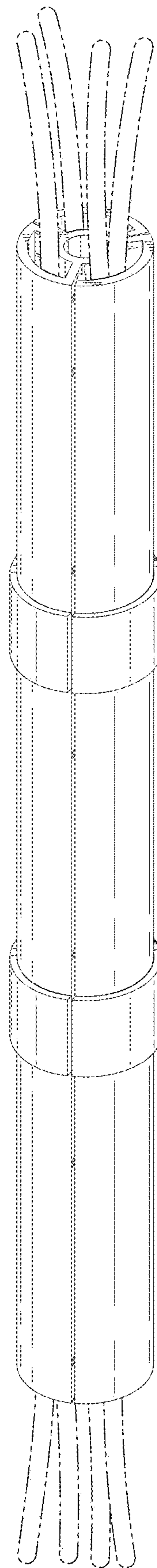


FIG. 64