



US00D926703S

(12) **United States Design Patent** (10) **Patent No.:** **US D926,703 S**  
**Yang et al.** (45) **Date of Patent:** **\*\* Aug. 3, 2021**

(54) **WEATHERPROOF MULTIPURPOSE ENCLOSURE**  
(71) Applicant: **Vynckier Enclosure Systems, Inc.**, Houston, TX (US)  
(72) Inventors: **Alex Cheng-Chi Yang**, Redwood City, CA (US); **Byron James Madden**, Kingwood, TX (US); **Ryan Mac McClister**, Houston, TX (US)  
(73) Assignee: **Hoffmann Enclosures Inc.**, Anoka, MN (US)

4,526,407 A 7/1985 Kifer  
D308,854 S \* 6/1990 Fuhrmann ..... D13/184  
D319,706 S \* 9/1991 Jones ..... D26/140  
5,226,263 A 7/1993 Merrin et al.  
5,357,054 A 10/1994 Beckerich  
D400,512 S \* 11/1998 Korhonen ..... D13/184  
D402,275 S \* 12/1998 Korhonen ..... D13/184  
5,931,325 A 8/1999 Filipov  
6,740,809 B2 5/2004 Vacheron  
6,942,189 B2 9/2005 Capozzi et al.  
7,175,330 B1 \* 2/2007 Chen ..... G02B 6/0036  
362/612

(Continued)

(\*\*) Term: **15 Years**

(21) Appl. No.: **29/727,512**

(22) Filed: **Mar. 11, 2020**  
**Related U.S. Application Data**

(63) Continuation of application No. 16/781,785, filed on Feb. 4, 2020, now Pat. No. 10,804,685, which is a continuation of application No. 16/030,488, filed on Jul. 9, 2018, now Pat. No. 10,594,121.

(51) **LOC (13) Cl.** ..... **13-03**

(52) **U.S. Cl.**  
USPC ..... **D13/152**

(58) **Field of Classification Search**  
USPC ..... D13/152, 184; D26/138, 140, 71, 74; D10/49

CPC ..... H01L 31/02325; F21S 2/005; F21S 8/086; F21V 15/00; F21V 21/30; F21V 29/70; F21V 5/007; F21V 29/75; F21V 7/0008; F21V 5/002; F21V 13/14; F21V 29/773; F21V 21/048; F21V 19/0045; H05B 47/10; F24S 25/20; G02B 6/0036; G02B 6/2848; G02B 6/0078; G02B 6/0016

See application file for complete search history.

(56) **References Cited**

**U.S. PATENT DOCUMENTS**

D260,090 S \* 8/1981 Hughes ..... D13/152  
4,298,204 A 11/1981 Jinkins

**OTHER PUBLICATIONS**

“Vynckier Vm773ct . . . ” found on the internet by RMS at: <https://www.globalindustrial.com/p/electrical/boxes/pushbutton-enclosures/vynckier-vm773ct-vm-7-inch-x-7-inch-x-3-inch-non-metallic-enclosure-transparent-cover> reference dated Mar. 23, 2021.\*

(Continued)

*Primary Examiner* — Rhea Shields

(74) *Attorney, Agent, or Firm* — Quarles & Brady LLP

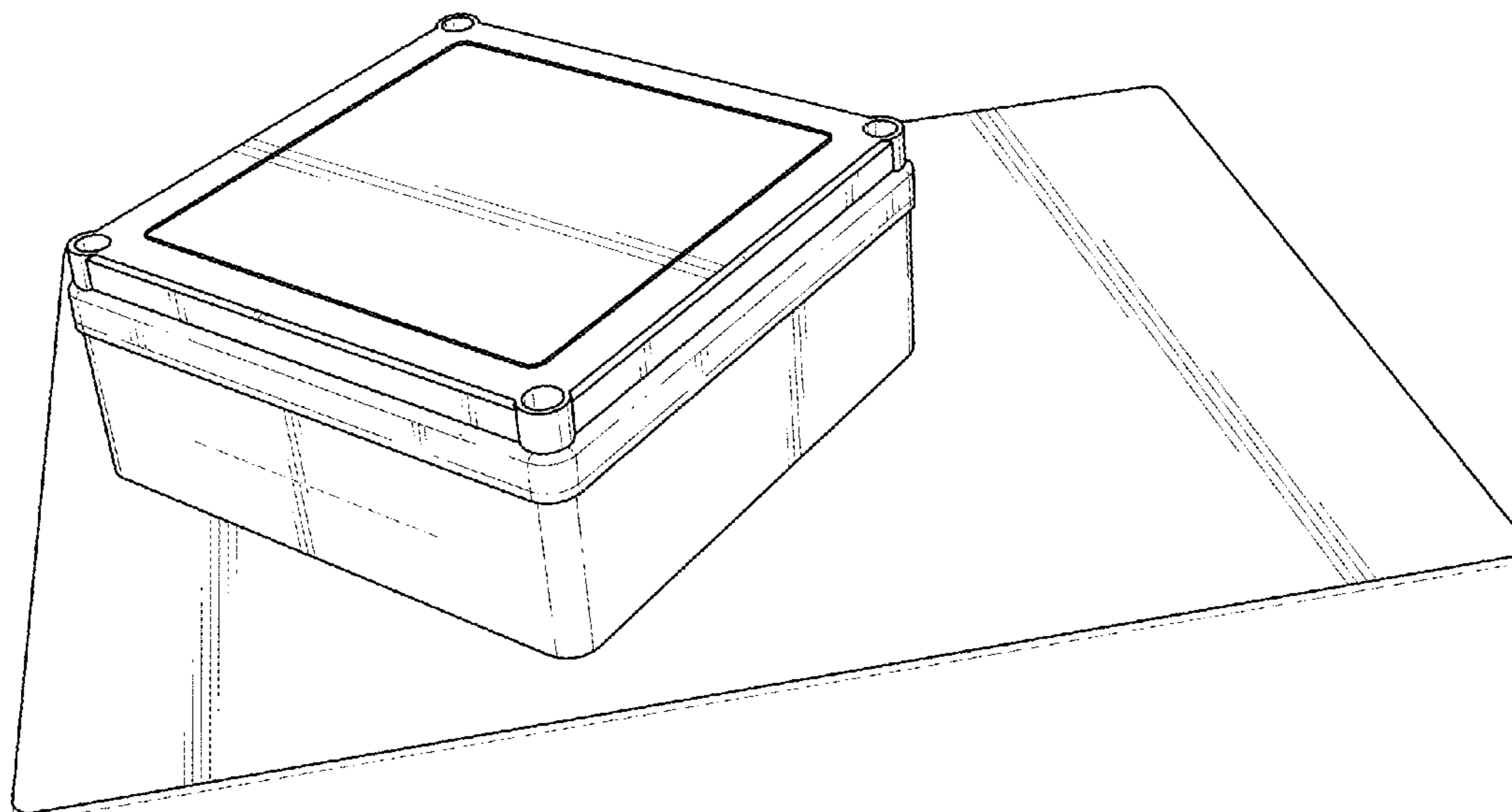
(57) **CLAIM**

The ornamental design for a weatherproof multipurpose enclosure, as shown and described herein.

**DESCRIPTION**

FIG. 1 is a perspective view of a weatherproof multipurpose enclosure embodying our design; FIG. 2 is a top plan view thereof; FIG. 3 is right-side elevation thereof; and, FIG. 4 is a front elevation view thereof. The broken lines shown in the drawings represent portions of the weatherproof multipurpose enclosure that form no part of the claimed design.

**1 Claim, 4 Drawing Sheets**



(56)

References Cited

U.S. PATENT DOCUMENTS

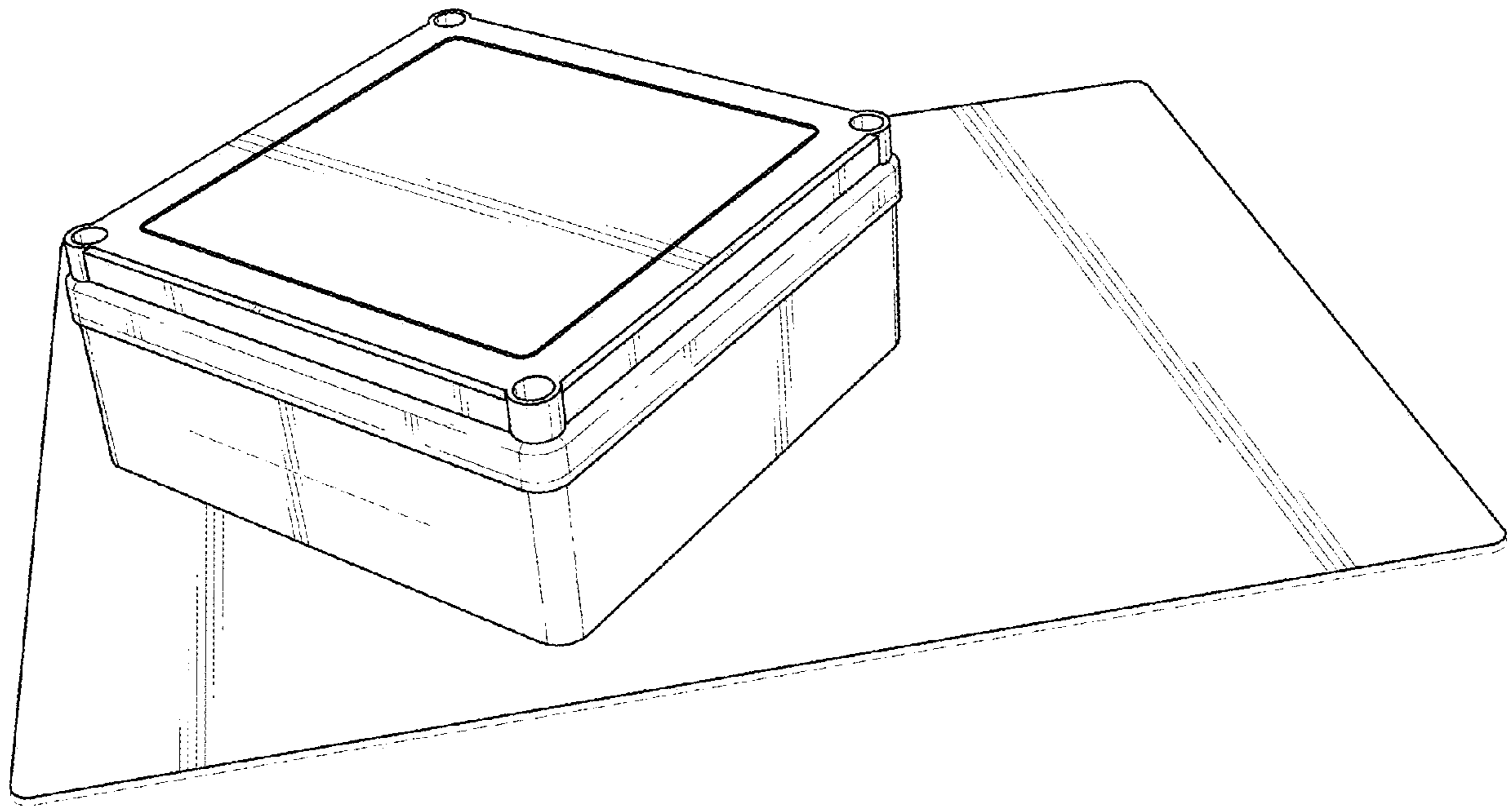
7,208,678 B2 4/2007 Shinmura et al.  
 D570,025 S \* 5/2008 Walker ..... D26/71  
 7,488,093 B1 \* 2/2009 Huang ..... F21V 15/00  
 362/294  
 7,626,118 B1 12/2009 Capozzi  
 D609,384 S \* 2/2010 Gray ..... D26/71  
 8,310,158 B2 \* 11/2012 Coplin ..... F21V 29/773  
 315/32  
 D679,437 S \* 4/2013 Watt ..... D26/74  
 8,471,145 B2 6/2013 Suzuki  
 8,479,455 B2 7/2013 Schaefer et al.  
 8,505,224 B2 \* 8/2013 Huang ..... F24S 25/20  
 40/790  
 D695,442 S \* 12/2013 Speier ..... D26/74  
 8,875,455 B1 11/2014 Yang et al.  
 8,905,569 B2 \* 12/2014 Thomas ..... F21V 7/0008  
 362/147  
 D722,975 S \* 2/2015 Debone ..... D13/152  
 9,496,697 B1 11/2016 Wentworth  
 9,742,173 B2 8/2017 Wentworth  
 9,819,166 B1 11/2017 Capozzi  
 10,024,061 B2 7/2018 Ainger  
 D837,666 S \* 1/2019 Butler ..... D10/49  
 10,230,227 B1 3/2019 Wade et al.  
 10,935,211 B2 \* 3/2021 Castillo ..... F21S 8/086  
 2008/0037284 A1 \* 2/2008 Rudisill ..... F21S 2/005  
 362/629  
 2010/0079980 A1 \* 4/2010 Sakai ..... G02B 6/0016  
 362/97.1  
 2010/0133422 A1 \* 6/2010 Lin ..... H01L 31/02325  
 250/227.11  
 2010/0208460 A1 \* 8/2010 Ladewig ..... F21V 29/75  
 362/235  
 2010/0302803 A1 \* 12/2010 Bitz ..... G02B 6/0036  
 362/606

2011/0013397 A1 \* 1/2011 Catone ..... F21V 5/007  
 362/244  
 2011/0122616 A1 \* 5/2011 Hochstein ..... F21V 29/70  
 362/235  
 2011/0187273 A1 \* 8/2011 Summerford ..... H05B 47/10  
 315/152  
 2011/0317436 A1 \* 12/2011 Kuan ..... F21V 21/30  
 362/373  
 2012/0051041 A1 \* 3/2012 Edmond ..... F21V 29/75  
 362/231  
 2012/0152490 A1 \* 6/2012 Wen ..... F21V 29/70  
 165/67  
 2012/0212957 A1 \* 8/2012 Hyun ..... F21V 19/0045  
 362/241  
 2012/0230019 A1 \* 9/2012 Peifer ..... F21V 21/048  
 362/147  
 2012/0257383 A1 \* 10/2012 Zhang ..... F21S 2/005  
 362/235  
 2013/0107528 A1 \* 5/2013 Boyer ..... F21S 2/005  
 362/243  
 2013/0250584 A1 \* 9/2013 Wang ..... F21V 23/0464  
 362/362  
 2014/0211504 A1 \* 7/2014 Yuan ..... G02B 6/0078  
 362/609  
 2014/0334126 A1 \* 11/2014 Speier ..... F21V 13/14  
 362/84  
 2014/0355302 A1 \* 12/2014 Wilcox ..... F21V 5/002  
 362/609  
 2015/0109820 A1 \* 4/2015 Wilcox ..... G02B 6/2848  
 362/609  
 2017/0110863 A1 4/2017 Wentworth

OTHER PUBLICATIONS

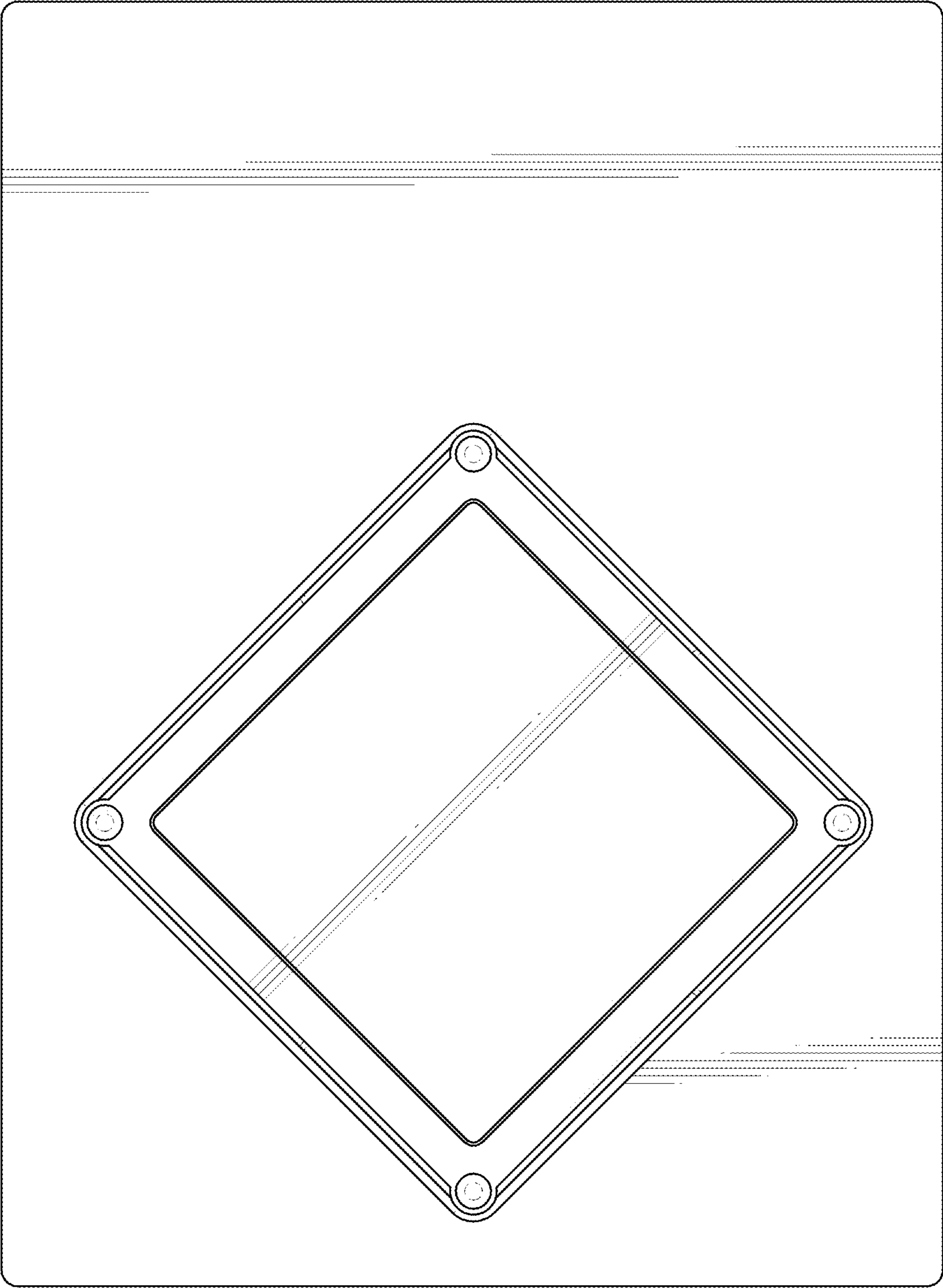
QBox™ Installation Manual, Quick Mount PV, Aug. 2017 in 16 pages.

\* cited by examiner

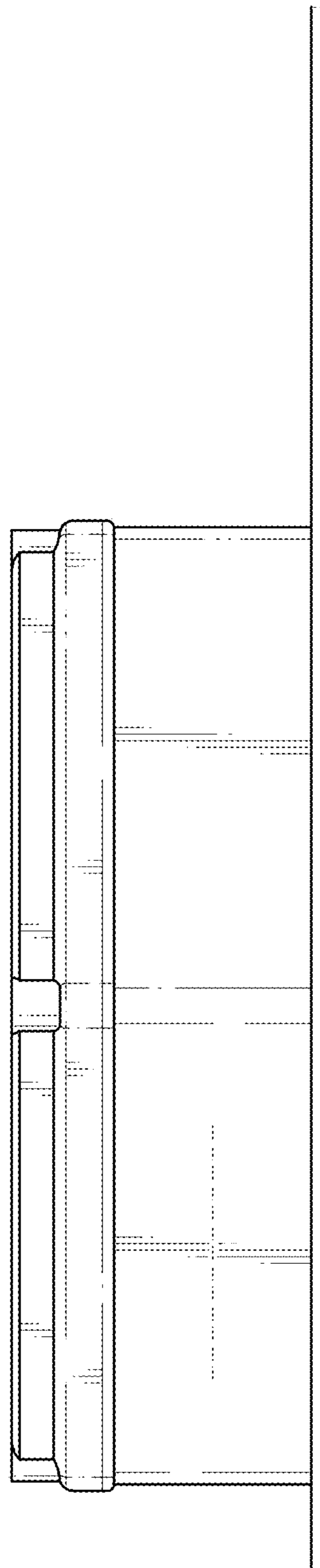


*FIG. 1*

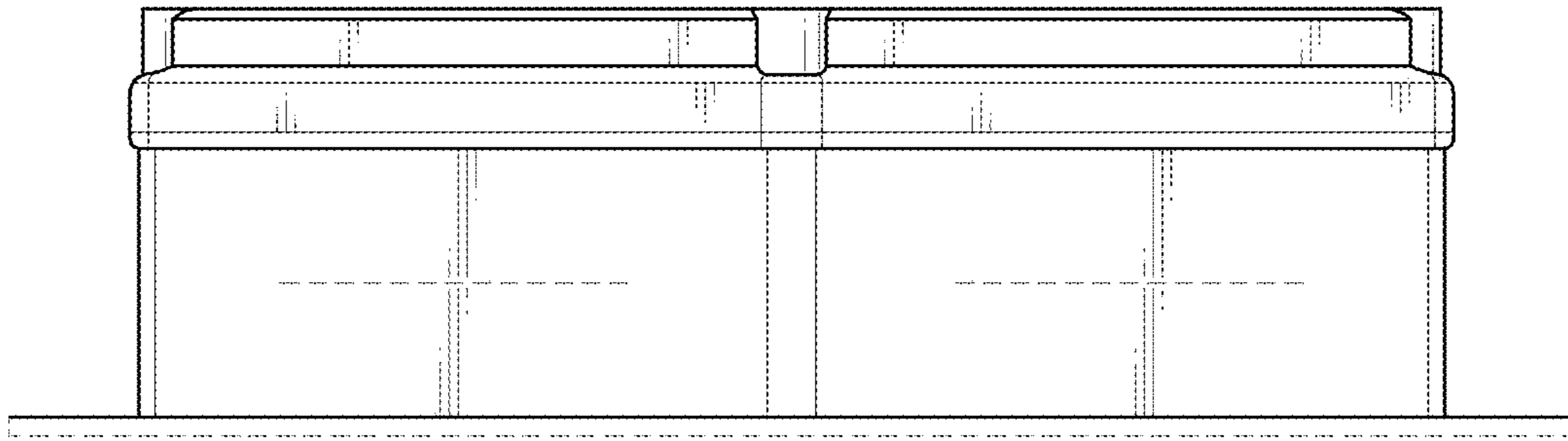




*FIG. 2*



*FIG. 3*



*FIG. 4*

UNITED STATES PATENT AND TRADEMARK OFFICE  
**CERTIFICATE OF CORRECTION**

PATENT NO. : D926,703 S  
APPLICATION NO. : 29/727512  
DATED : August 3, 2021  
INVENTOR(S) : Alex Cheng-Chi Yang, Byron James Madden and Ryan Mac McClister

Page 1 of 1

It is certified that error appears in the above-identified patent and that said Letters Patent is hereby corrected as shown below:

On the Title Page

IN THE DESCRIPTION:

“FIG. 4 is from elevation view thereof;”

Should read:

--FIG. 4 is front elevation view thereof;--

Signed and Sealed this  
Fourteenth Day of September, 2021



Drew Hirshfeld  
*Performing the Functions and Duties of the  
Under Secretary of Commerce for Intellectual Property and  
Director of the United States Patent and Trademark Office*