

US00D926702S

(12) **United States Design Patent** (10) **Patent No.:** **US D926,702 S**  
**Beischer** (45) **Date of Patent:** **\*\* Aug. 3, 2021**

(54) **ELECTRICAL PLUG CONNECTORS**

(71) Applicant: **HARTING ELECTRIC GMBH & CO. KG**, Espelkamp (DE)

(72) Inventor: **Thomas Beischer**, Espelkamp (DE)

(73) Assignee: **Harting Electric GmbH & Co. KG**, Espelkamp (DE)

(\*\*) Term: **15 Years**

(21) Appl. No.: **35/506,016**

(22) Filed: **May 3, 2018**

(80) **Hague Agreement Data**

Int. Filing Date: **May 3, 2018**

Int. Reg. No.: **DM/101014**

Int. Reg. Date: **May 3, 2018**

Int. Reg. Pub. Date: **Nov. 9, 2018**

(30) **Foreign Application Priority Data**

Nov. 15, 2017 (DE) ..... 402017101247.2

(51) **LOC (13) Cl.** ..... **13-03**

(52) **U.S. Cl.**  
USPC ..... **D13/147**

(58) **Field of Classification Search**

USPC ..... D13/147, 154, 120, 133, 108, 118, 146,  
D13/149, 174; D14/433, 480.5;  
D22/108; D24/129

CPC ..... Y02E 60/10; Y02E 60/12; Y02E 60/122;  
Y02E 60/124; Y02E 60/50; Y02T 90/14;  
Y02T 90/122; Y02T 90/128; Y02T  
90/163; Y10S 439/941; H01M 2/02;  
H01M 2/022; H01M 2/0202; H01M  
2/0207; H01M 2/0212; H01M 2/1061;  
H01M 2/1022; H01M 2/1055; H01M  
2/1066; H01M 2/105; H01M 2/20; H01M  
2/202; H01M 2/204; H01M 2/206; H01M  
10/44; H01M 10/46; H01M 10/465;  
H01M 10/482; H01M 10/425; H01M

2200/30; H01M 2250/30; H01M 2250/40;  
H02J 7/00; H02J 7/0003; H02J 7/0011;  
H02J 7/0013; H02J 7/0054; H02J 7/0055;  
H02J 7/0057; H02J 7/025; H02J 7/0042;  
H02J 7/0044; H02J 7/0045; H02J  
2007/0062; H01F 38/14; H01R 12/716;  
H01R 12/75; H01R 13/6675; H01R  
13/426; H01R 13/436; H01R 13/6592;  
H01R 24/84; B60L 11/182

See application file for complete search history.

(56) **References Cited**

U.S. PATENT DOCUMENTS

D194,501 S \* 2/1963 Maurer ..... D13/147  
D200,645 S \* 3/1965 Schumacher ..... D13/146  
D208,550 S \* 9/1967 Schumacher ..... D13/147  
5,554,055 A \* 9/1996 Miller ..... H01R 13/4362  
439/752  
D434,729 S \* 12/2000 Hwang ..... D13/147  
D438,843 S \* 3/2001 Middlehurst ..... D13/147  
D459,700 S \* 7/2002 Larsen ..... D13/147  
D459,701 S \* 7/2002 Larsen ..... D13/147

(Continued)

*Primary Examiner* — Nathaniel D. Buckner

(74) *Attorney, Agent, or Firm* — Seed IP Law Group LLP

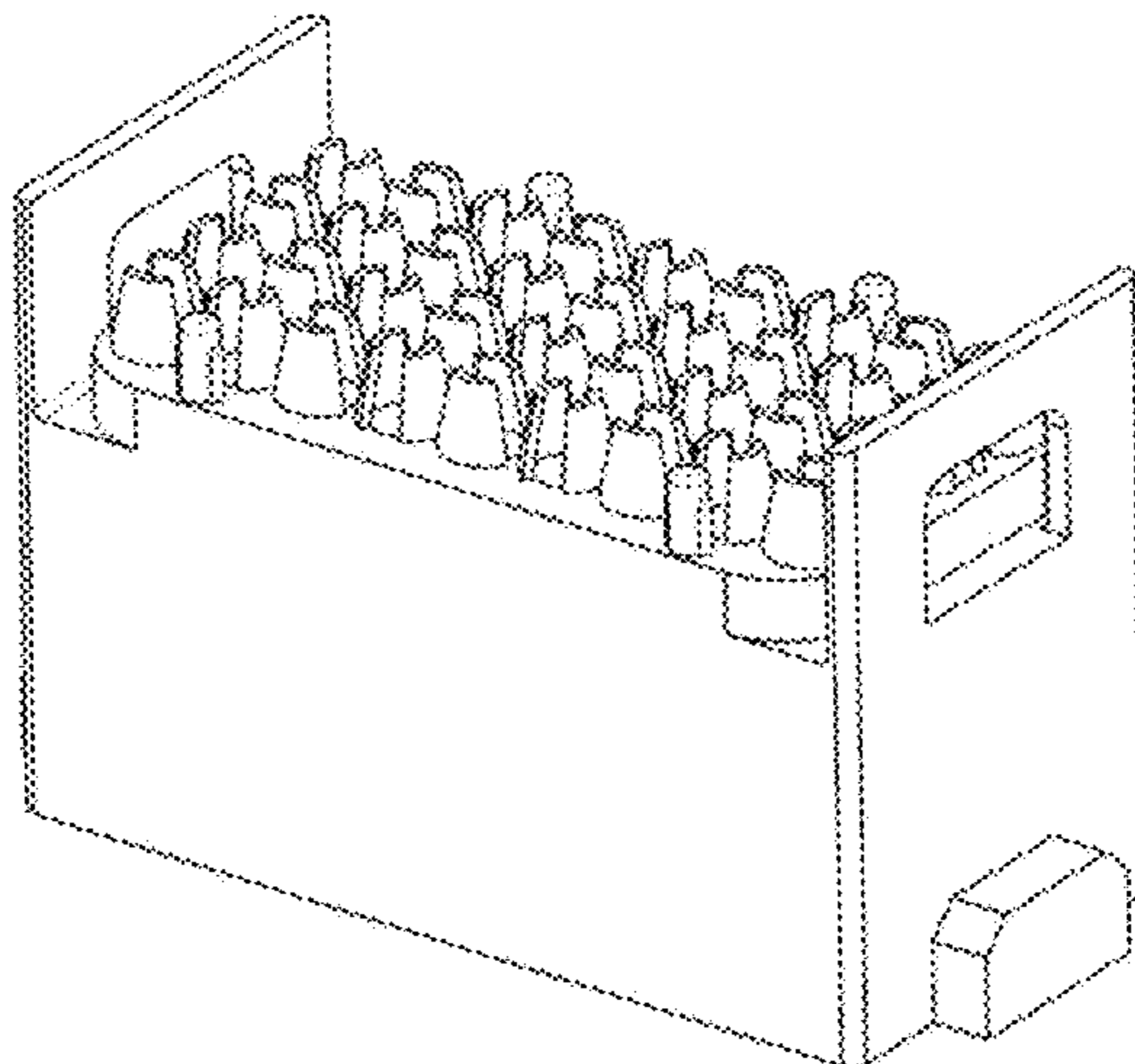
(57) **CLAIM**

The ornamental design for an electrical plug connector, as shown and described.

**DESCRIPTION**

**3.1** : Perspective  
**3.2** : Back  
**3.3** : Front  
**3.4** : Left  
**3.5** : Right  
**3.6** : Bottom  
**3.7** : Top

(Continued)



The broken lines shown in the drawings depict portions of the electrical plug connector that form no part of the claimed design.

**1 Claim, 7 Drawing Sheets**

(56)

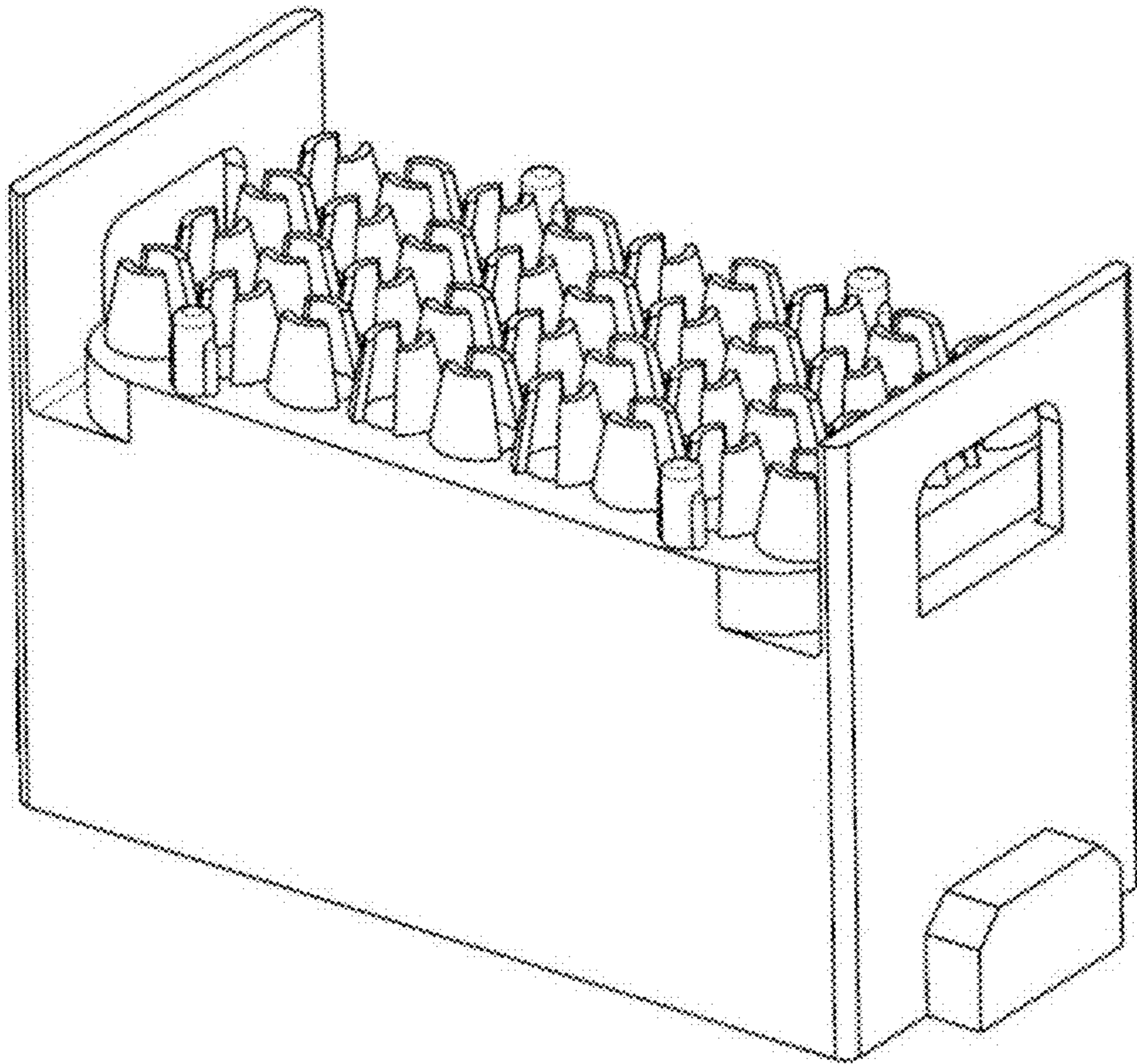
**References Cited**

U.S. PATENT DOCUMENTS

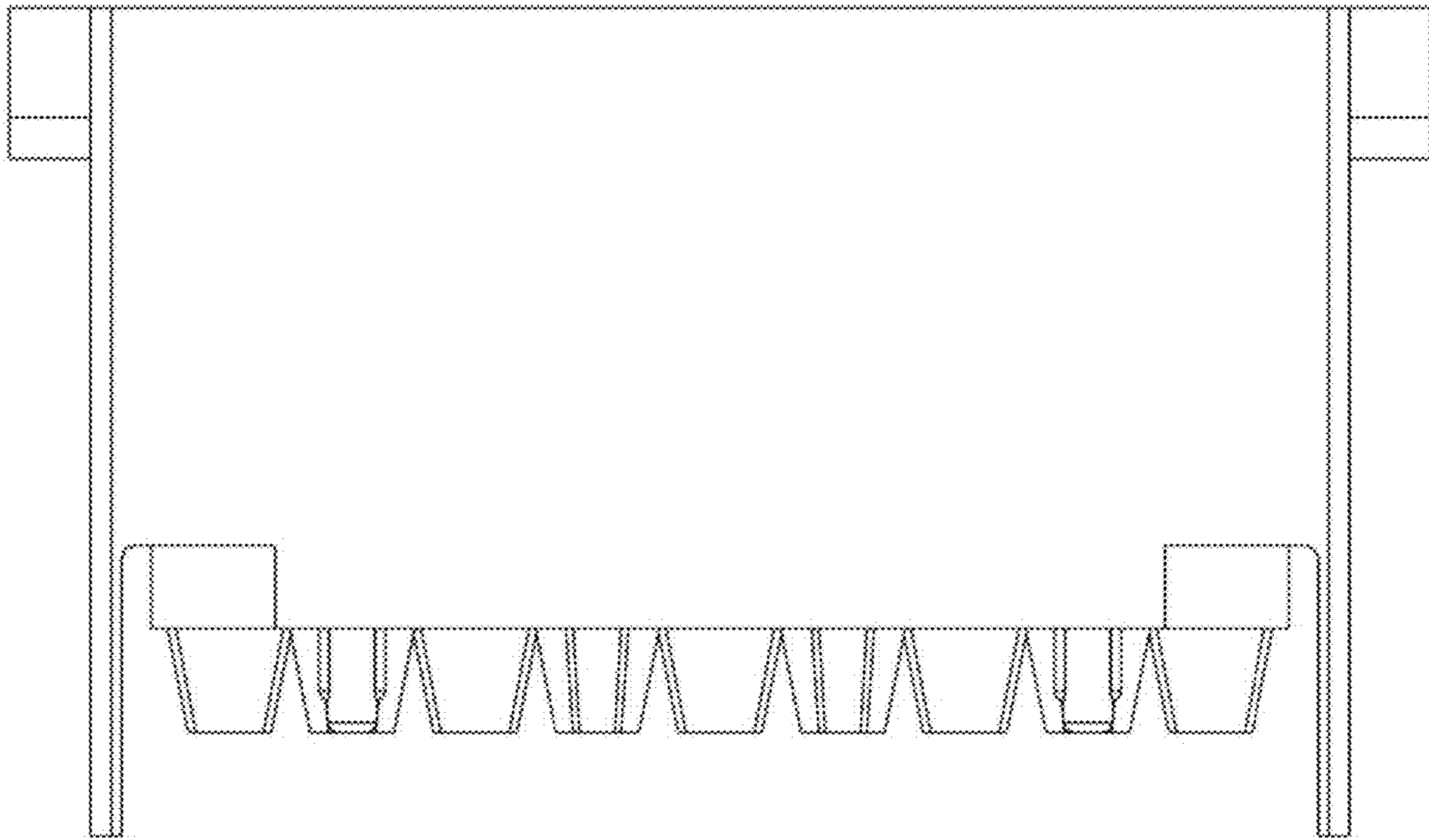
|              |      |         |           |       |                         |
|--------------|------|---------|-----------|-------|-------------------------|
| D460,045     | S *  | 7/2002  | Larsen    | ..... | D13/147                 |
| D460,047     | S *  | 7/2002  | Ching     | ..... | D13/147                 |
| D460,417     | S *  | 7/2002  | Wood      | ..... | D13/147                 |
| D460,418     | S *  | 7/2002  | Han       | ..... | D13/147                 |
| D460,737     | S *  | 7/2002  | Ching     | ..... | D13/147                 |
| 7,322,842    | B2 * | 1/2008  | Duck      | ..... | G02B 6/381<br>200/51.03 |
| D608,287     | S *  | 1/2010  | Zheng     | ..... | D13/147                 |
| D623,597     | S *  | 9/2010  | Barrios   | ..... | D13/147                 |
| D629,363     | S *  | 12/2010 | Woodruff  | ..... | D13/147                 |
| D629,758     | S *  | 12/2010 | Woodruff  | ..... | D13/147                 |
| D704,652     | S *  | 5/2014  | Smith     | ..... | D13/147                 |
| D704,656     | S *  | 5/2014  | Smith     | ..... | D13/147                 |
| D706,718     | S *  | 6/2014  | Smith     | ..... | D13/147                 |
| D796,449     | S *  | 9/2017  | Hultquist | ..... | D13/147                 |
| 10,340,641   | B2 * | 7/2019  | Loske     | ..... | H01R 13/59              |
| D856,385     | S *  | 8/2019  | Horstmann | ..... | D15/138                 |
| 10,404,002   | B2 * | 9/2019  | Wang      | ..... | H01R 13/426             |
| 2018/0337484 | A1 * | 11/2018 | Wang      | ..... | H01R 13/436             |

\* cited by examiner

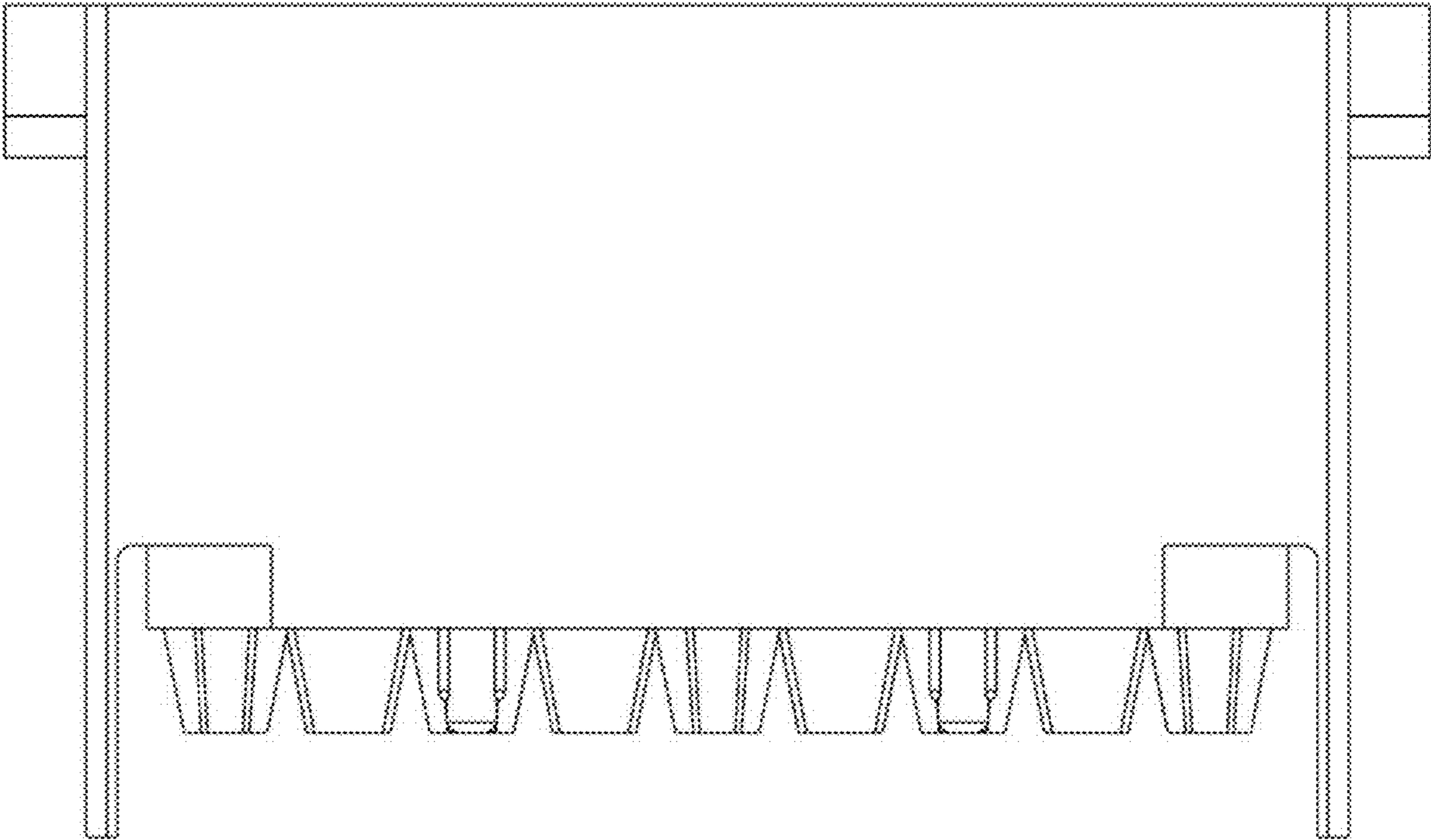
3.1



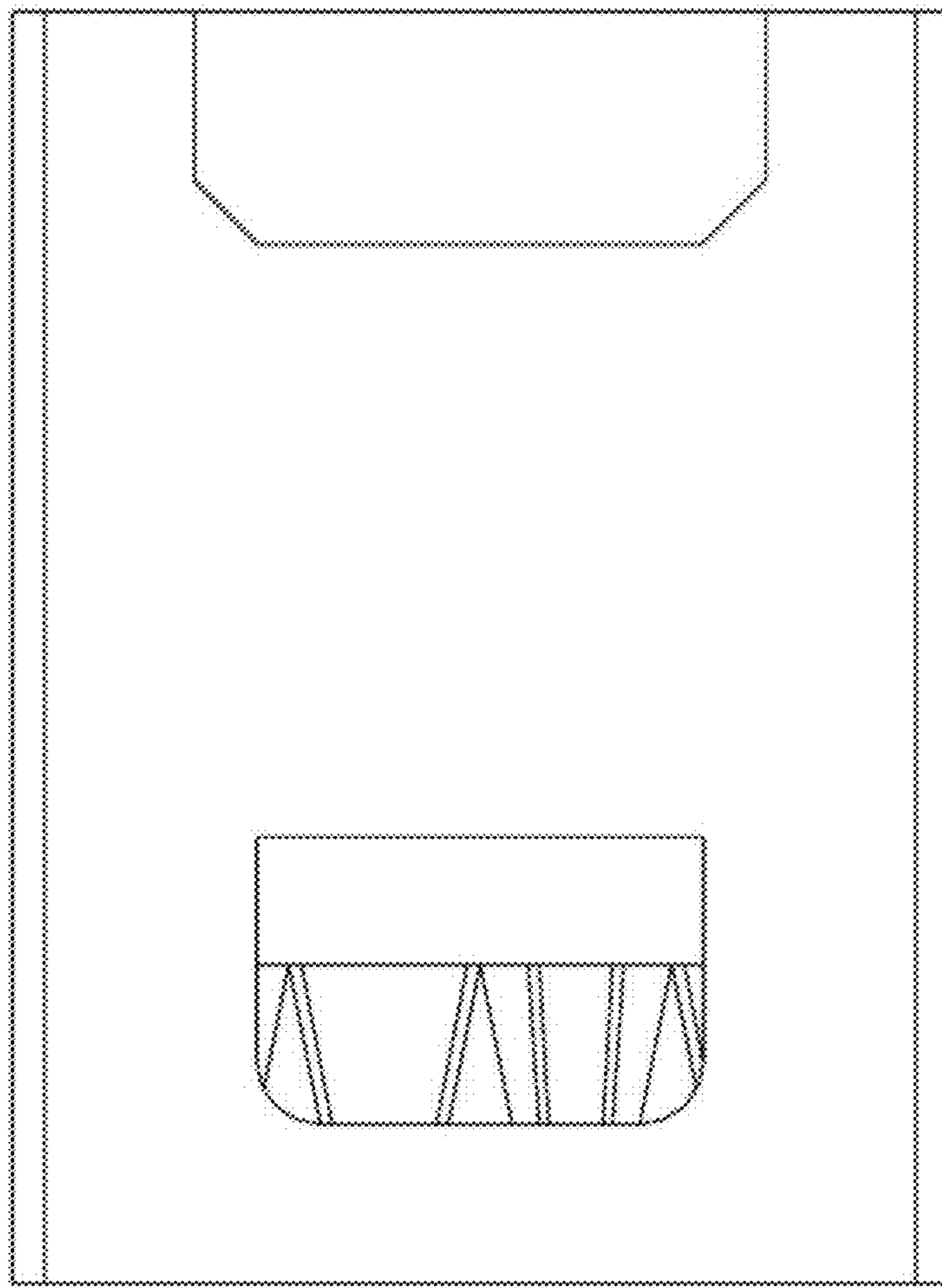
3.2



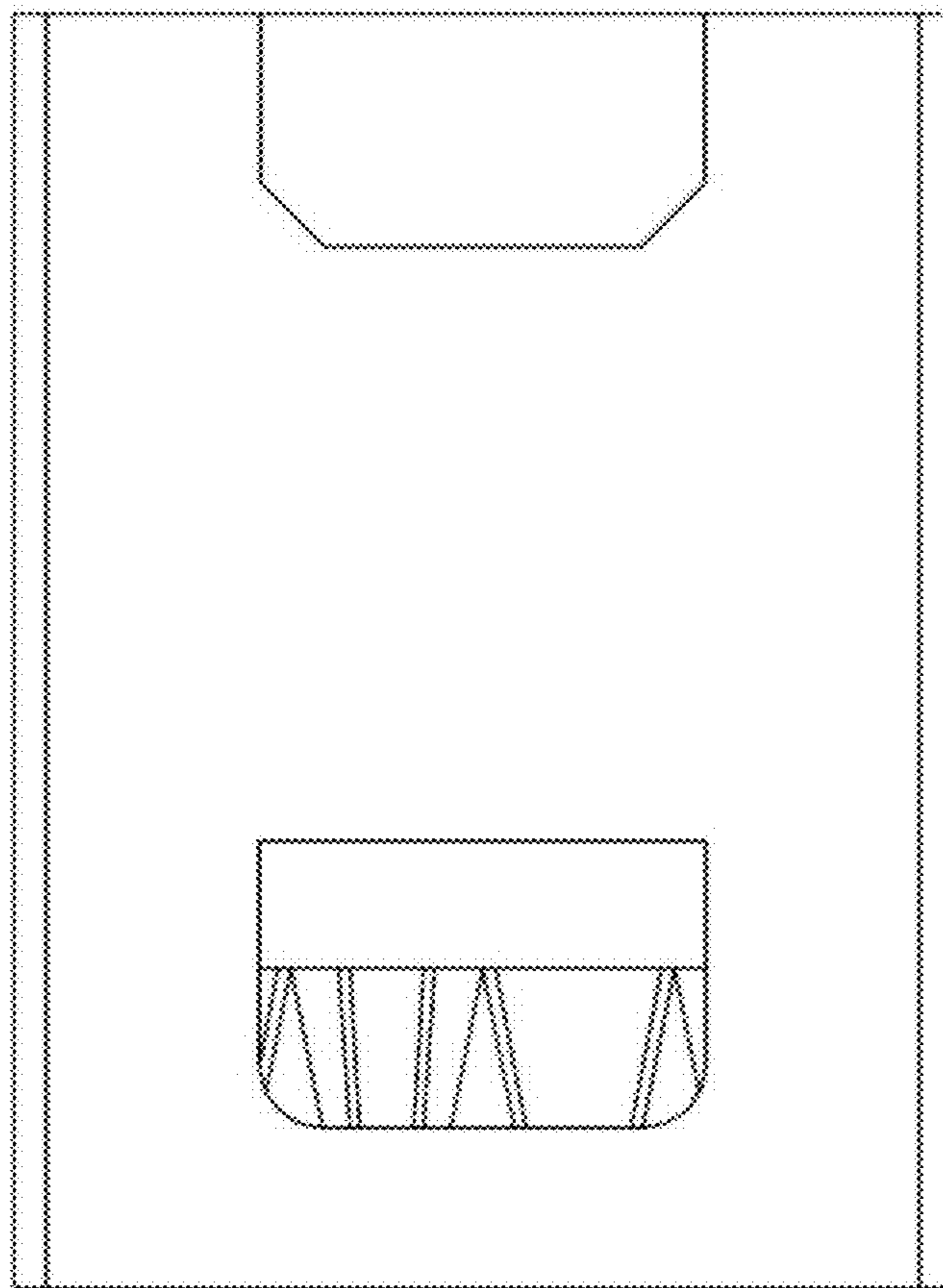
3.3



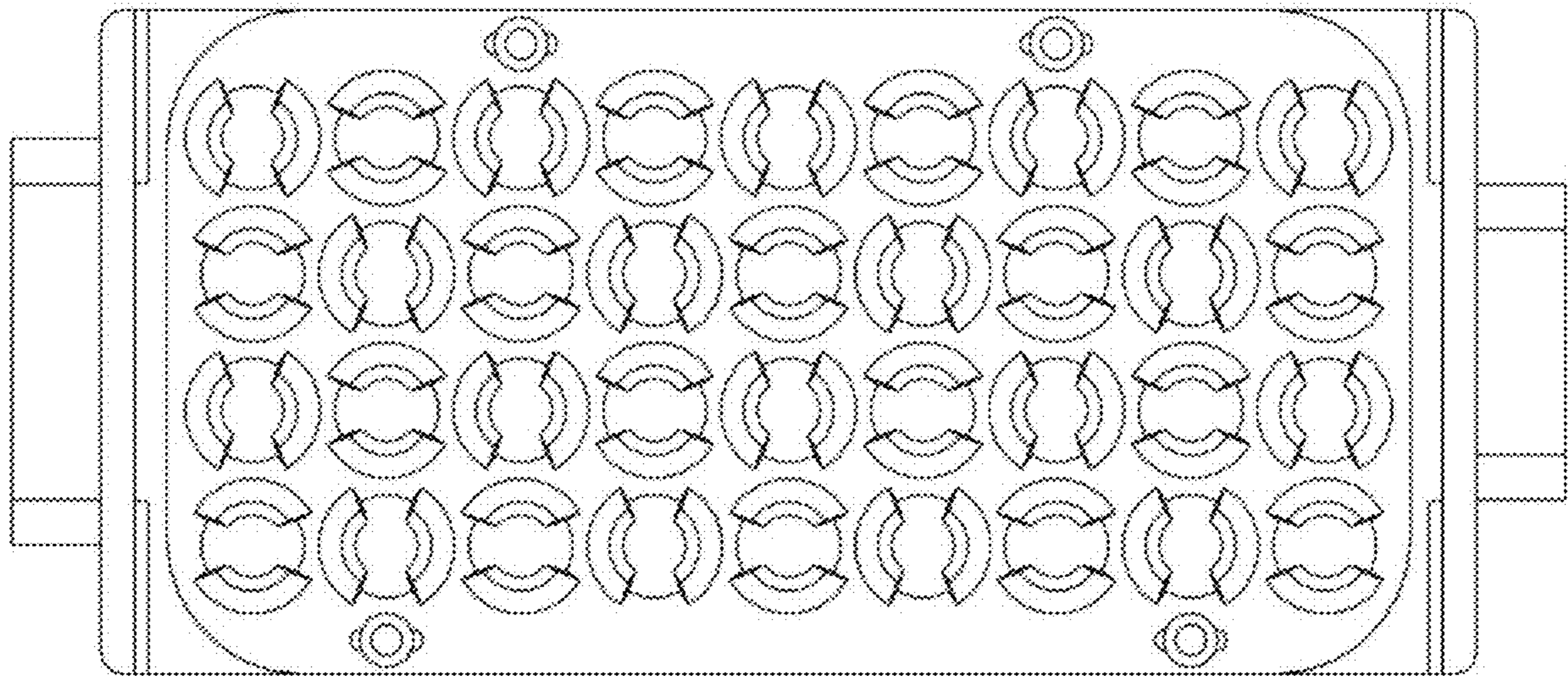
3.4



3.5



3.6





3.7

