



US00D926701S

(12) **United States Design Patent** (10) **Patent No.:** **US D926,701 S**
Lin et al. (45) **Date of Patent:** **** Aug. 3, 2021**

(54) **ELECTRICAL CONNECTOR**

Primary Examiner — Darcey E Gottschalk

(71) Applicant: **Topconn Electronic (Kunshan) Co., Ltd.**, Kunshan (CN)

(74) *Attorney, Agent, or Firm* — Moore & Van Allen PLLC; Henry B. Ward, III

(72) Inventors: **Sanyo Lin**, Kunshan (CN); **Fu Su**, Kunshan (CN); **Maoshan Chen**, Kunshan (CN); **Kai Wu**, Kunshan (CN)

(57) **CLAIM**

The ornamental design for an electrical connector, as shown and described.

(73) Assignee: **STARCONN ELECTRONIC (SU ZHOU) CO., LTD**, Kunshan (CN)

(**) Term: **15 Years**

DESCRIPTION

(21) Appl. No.: **29/704,235**

FIG. 1 is a front, top, and right-side perspective view of an electrical connector;

(22) Filed: **Sep. 3, 2019**

FIG. 2 is a front, top, left-side perspective view of the electrical connector shown in FIG. 1;

(30) **Foreign Application Priority Data**

FIG. 3 is a top, front, left-side perspective view of the electrical connector shown in FIG. 1;

May 31, 2019 (CN) 201930279408.0

FIG. 4 is a top plan view of the electrical connector shown in FIG. 1;

(51) **LOC (13) Cl.** **13-03**

FIG. 5 is a bottom plan view of the electrical connector shown in FIG. 1;

(52) **U.S. Cl.**
USPC **D13/147**

FIG. 6 is a right-side elevational view of the electrical connector shown in FIG. 1;

(58) **Field of Classification Search**
USPC D13/103, 107, 108, 110, 112, 118, 120,
D13/123, 133, 137.1, 145–147, 149–156,
(Continued)

FIG. 7 is a left-side elevational view of the electrical connector shown in FIG. 1;

(56) **References Cited**

FIG. 8 is a front-side elevational view of the electrical connector shown in FIG. 1;

U.S. PATENT DOCUMENTS

FIG. 9 is a rear-side elevational view of the electrical connector shown in FIG. 1;

7,410,393 B1 * 8/2008 Rothermel H01R 29/00
439/49
7,485,001 B2 * 2/2009 Chen H01R 13/6585
439/607.05

FIG. 10 is an enlarged partial view of section 10 of the electrical connector shown in FIG. 1; and,

(Continued)

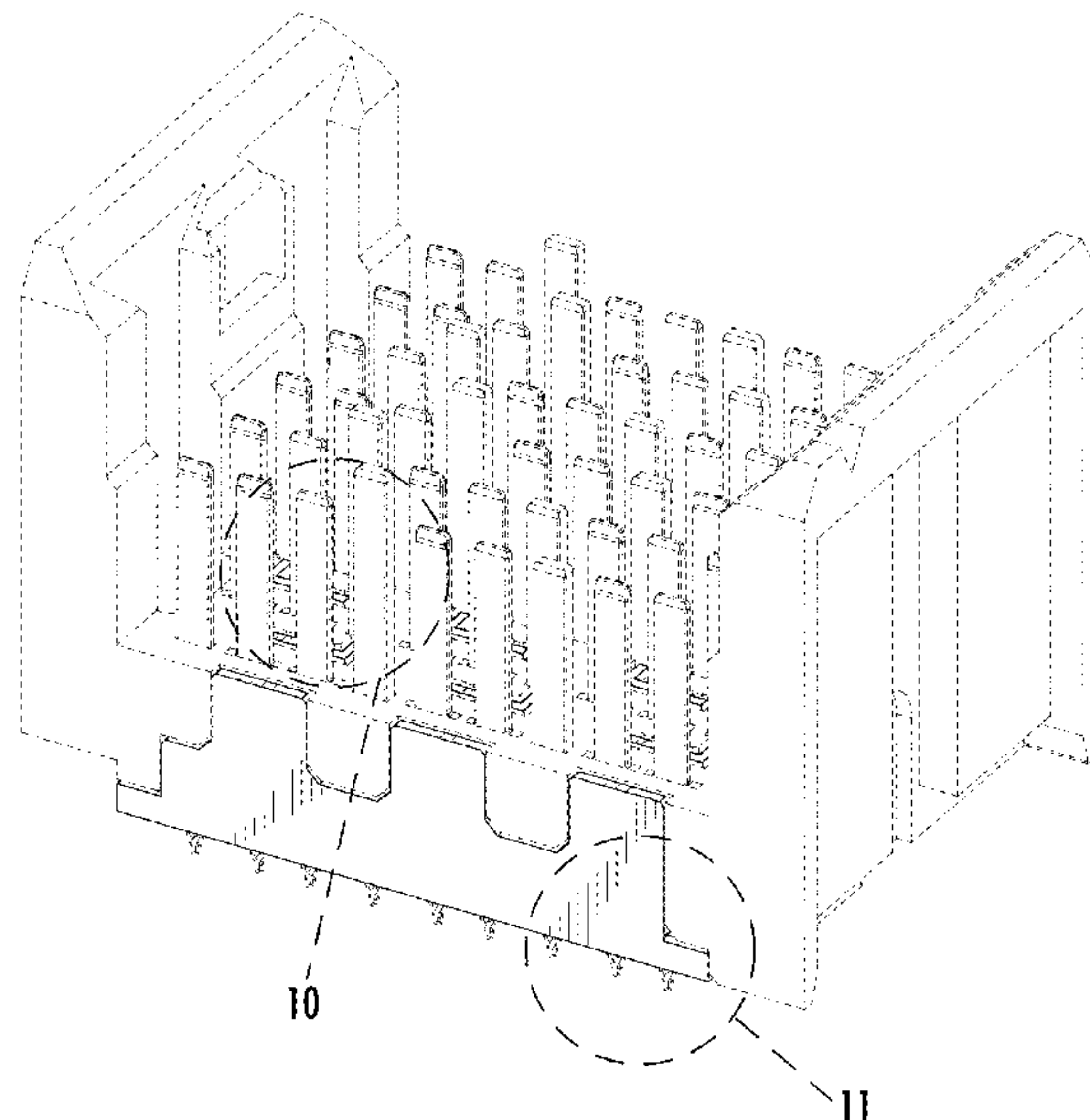
FIG. 11 is an enlarged partial view of section 11 of the electrical connector shown in FIG. 1.

OTHER PUBLICATIONS

Concern Profession Connection. Various precision electronic connectors. No date specified. <http://www.ksent.com/en/case/> (Year: 0).*

In the drawings, the broken lines show portions of an electrical connector that form no part of the claim. The surface shading illustrated in the drawings is provided merely to highlight the contour of the design; it is not intended to be illustrative of texture or gloss.

1 Claim, 11 Drawing Sheets



(58) **Field of Classification Search**

USPC D13/158, 173, 177, 184, 199; D14/240,
D14/242, 432-435, 435.1, 436-438

CPC H01R 13/6471

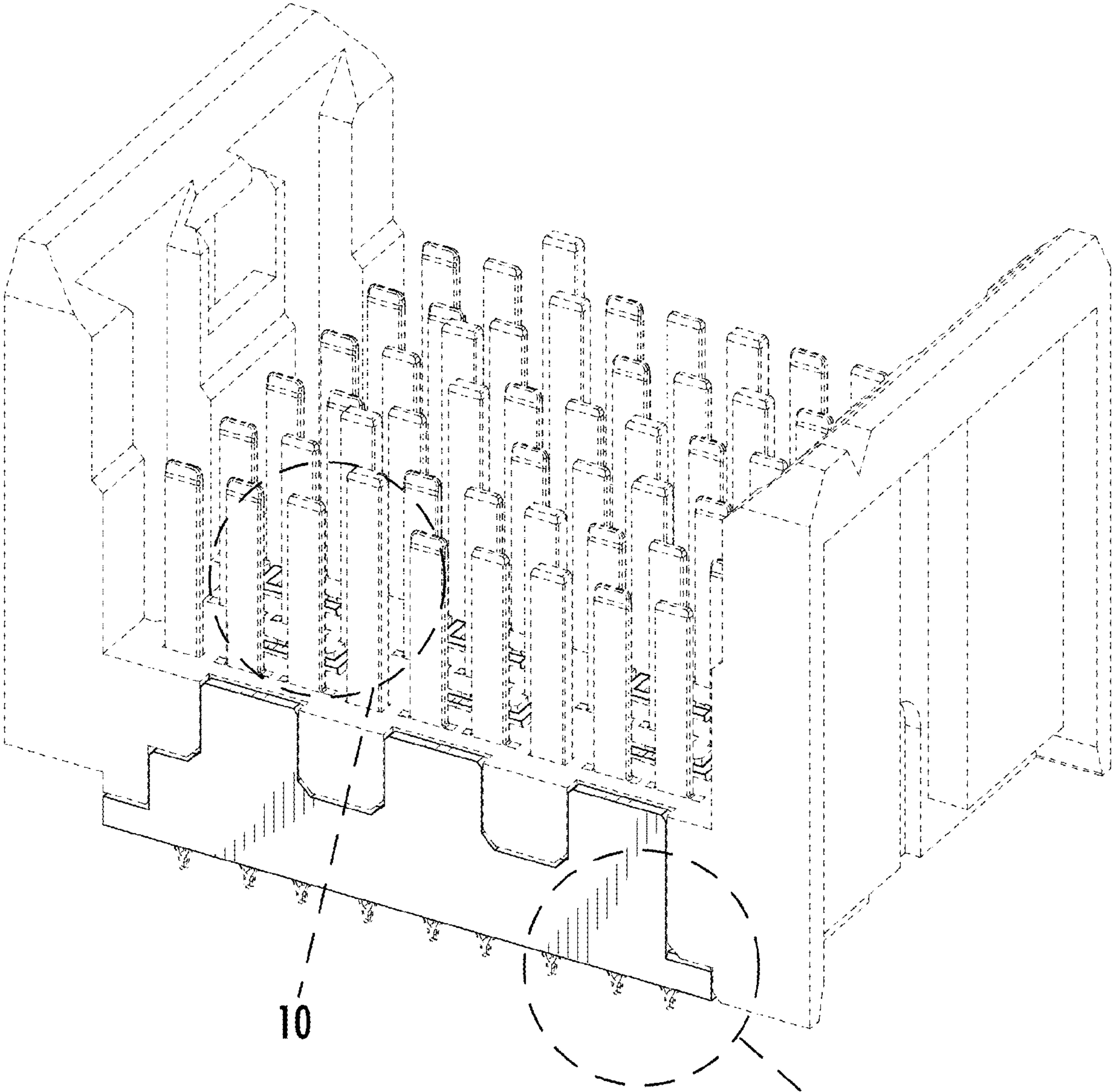
See application file for complete search history.

(56) **References Cited**

U.S. PATENT DOCUMENTS

D736,163 S * 8/2015 Pao D13/147
D737,210 S * 8/2015 Pao D13/147
9,160,123 B1 * 10/2015 Pao H01R 12/716
9,634,434 B1 * 4/2017 Pao H01R 13/6471
D826,166 S * 8/2018 Yayoshi D13/147
10,608,363 B2 * 3/2020 Sano H01R 13/506
10,608,367 B2 * 3/2020 Yuan H01R 13/518
D881,133 S * 4/2020 Buck D13/154
10,615,527 B2 * 4/2020 Ou H01R 13/2471
10,720,721 B2 * 7/2020 Johnescu H01R 13/648

* cited by examiner



10

11

FIG. 1

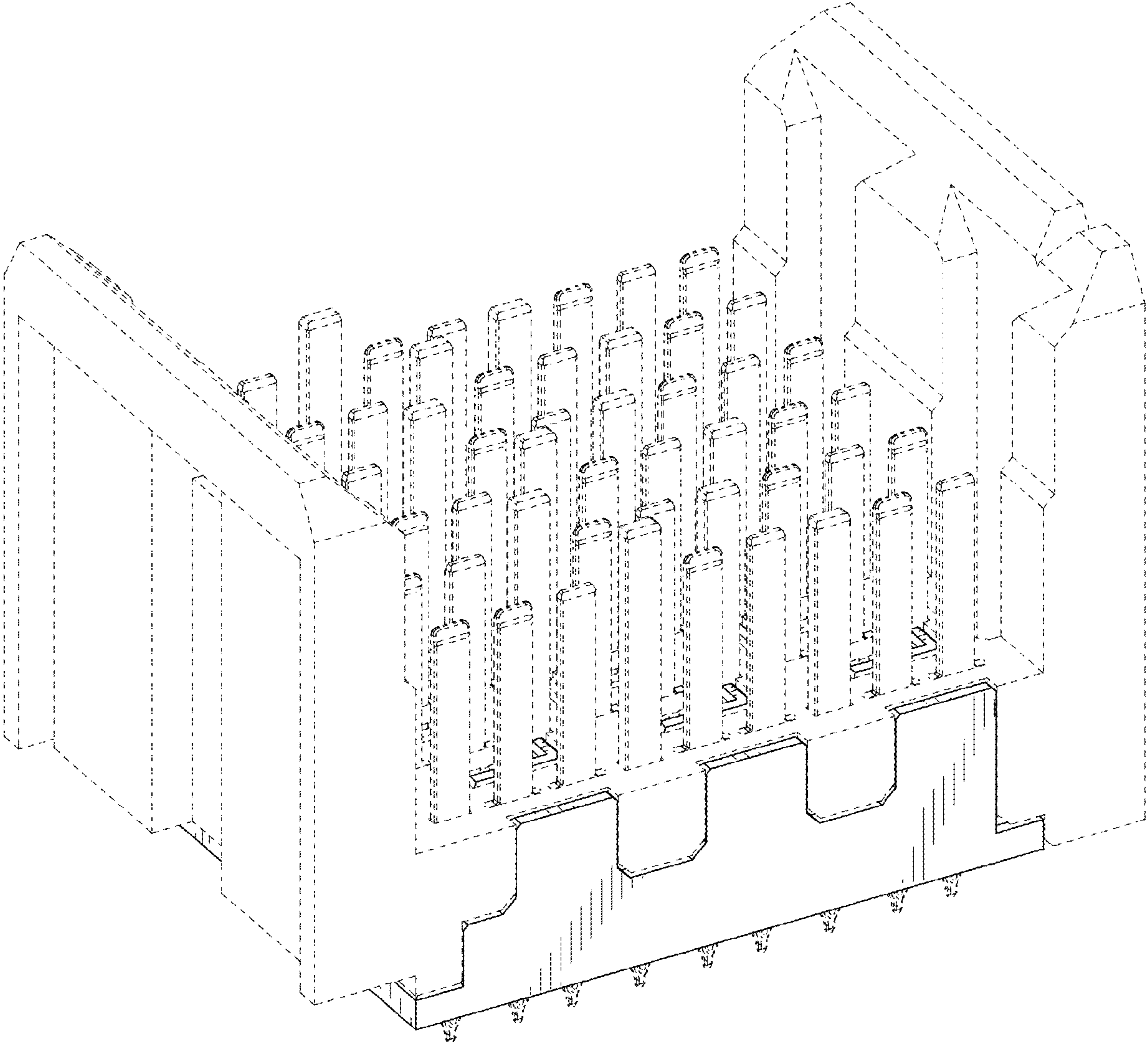


FIG. 2

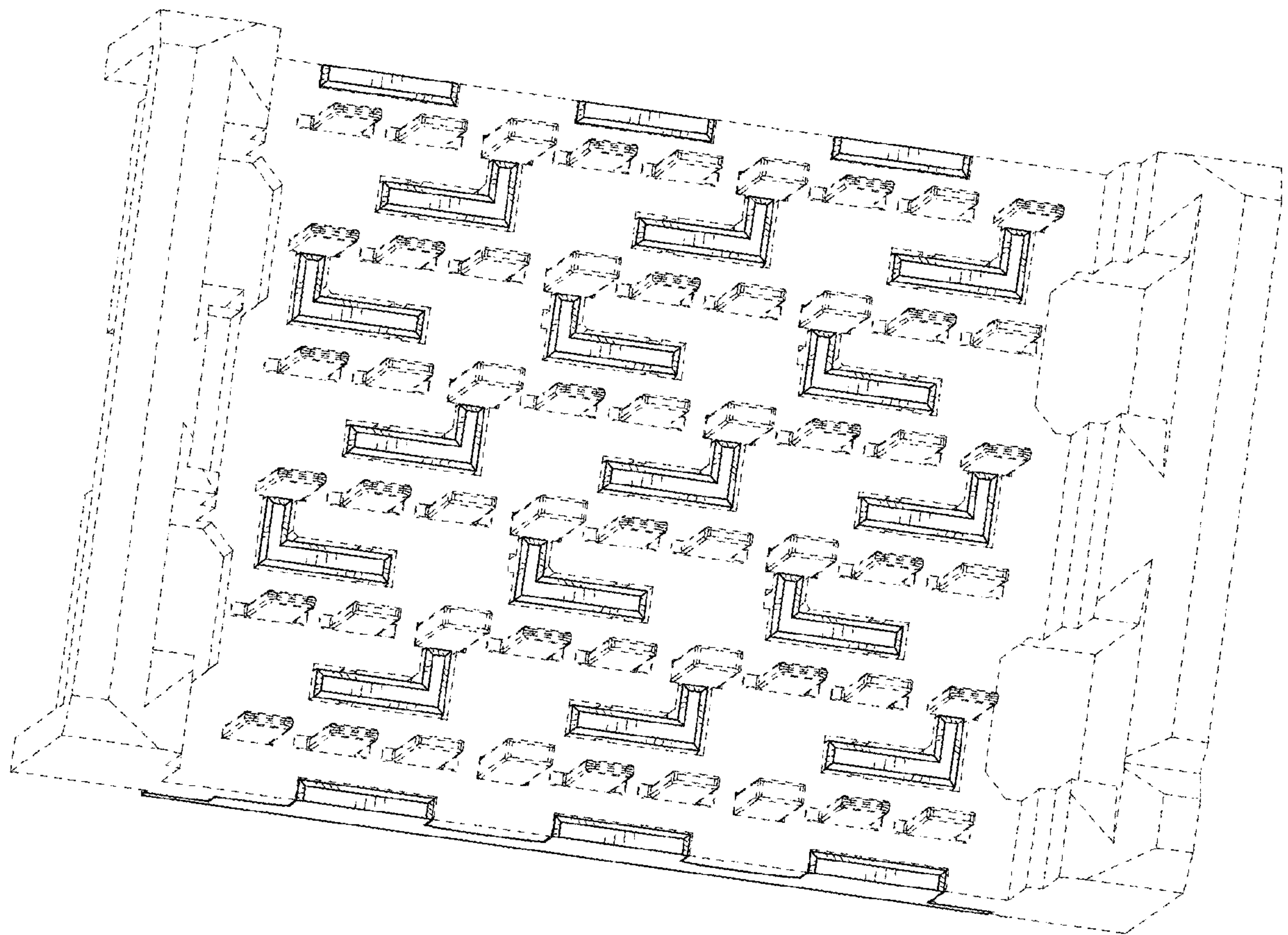


FIG. 3

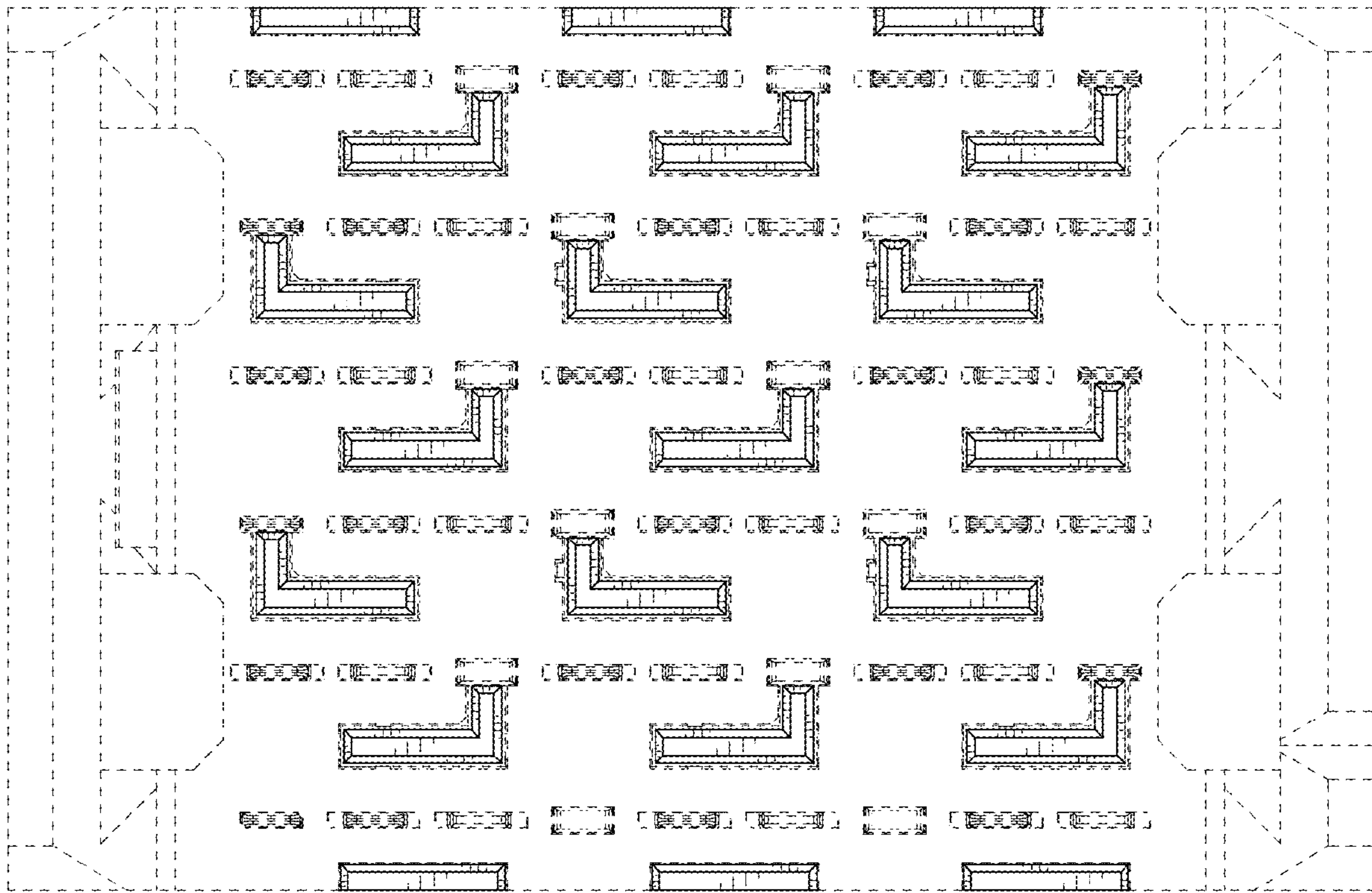


FIG. 4

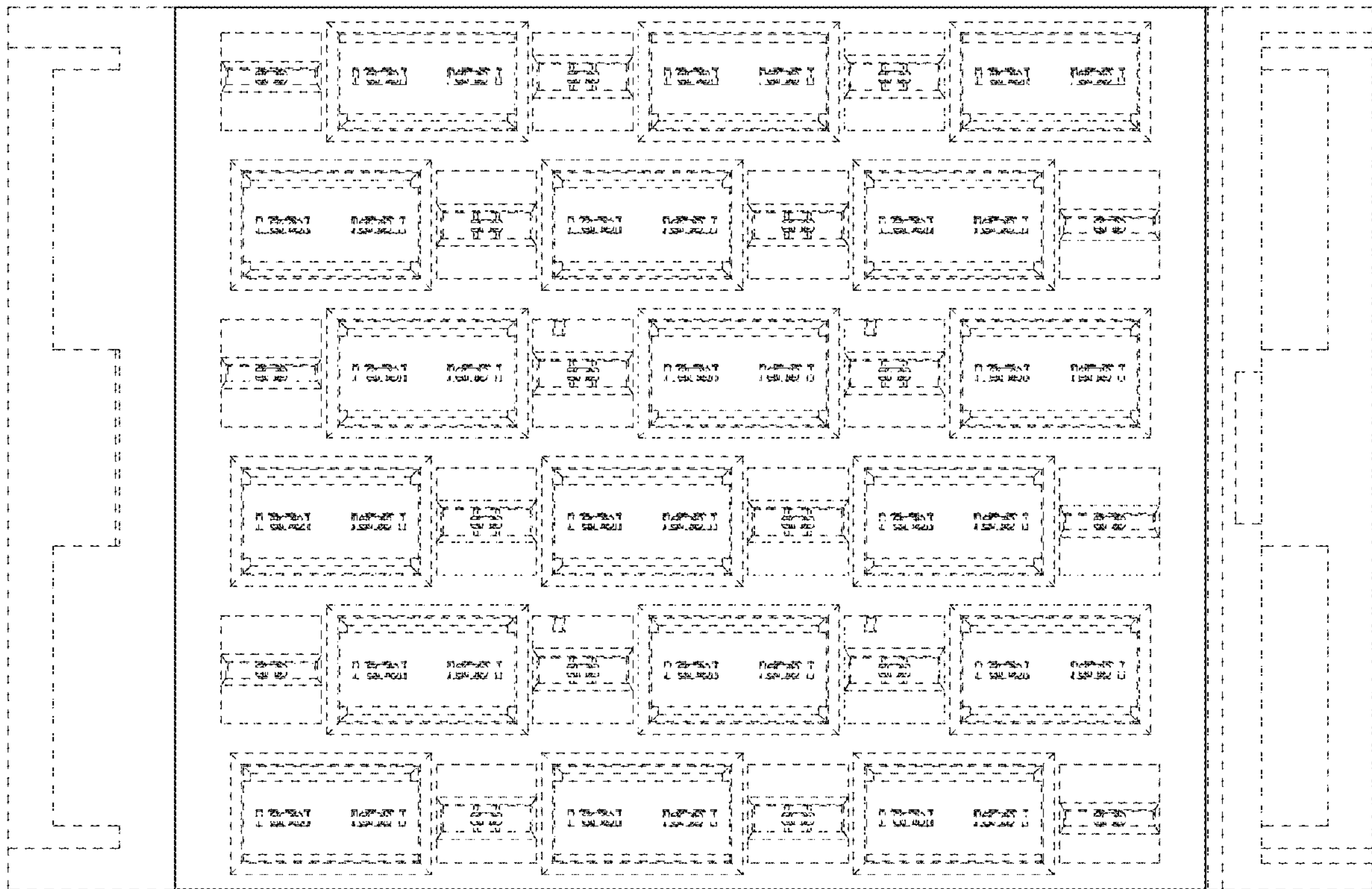


FIG. 5

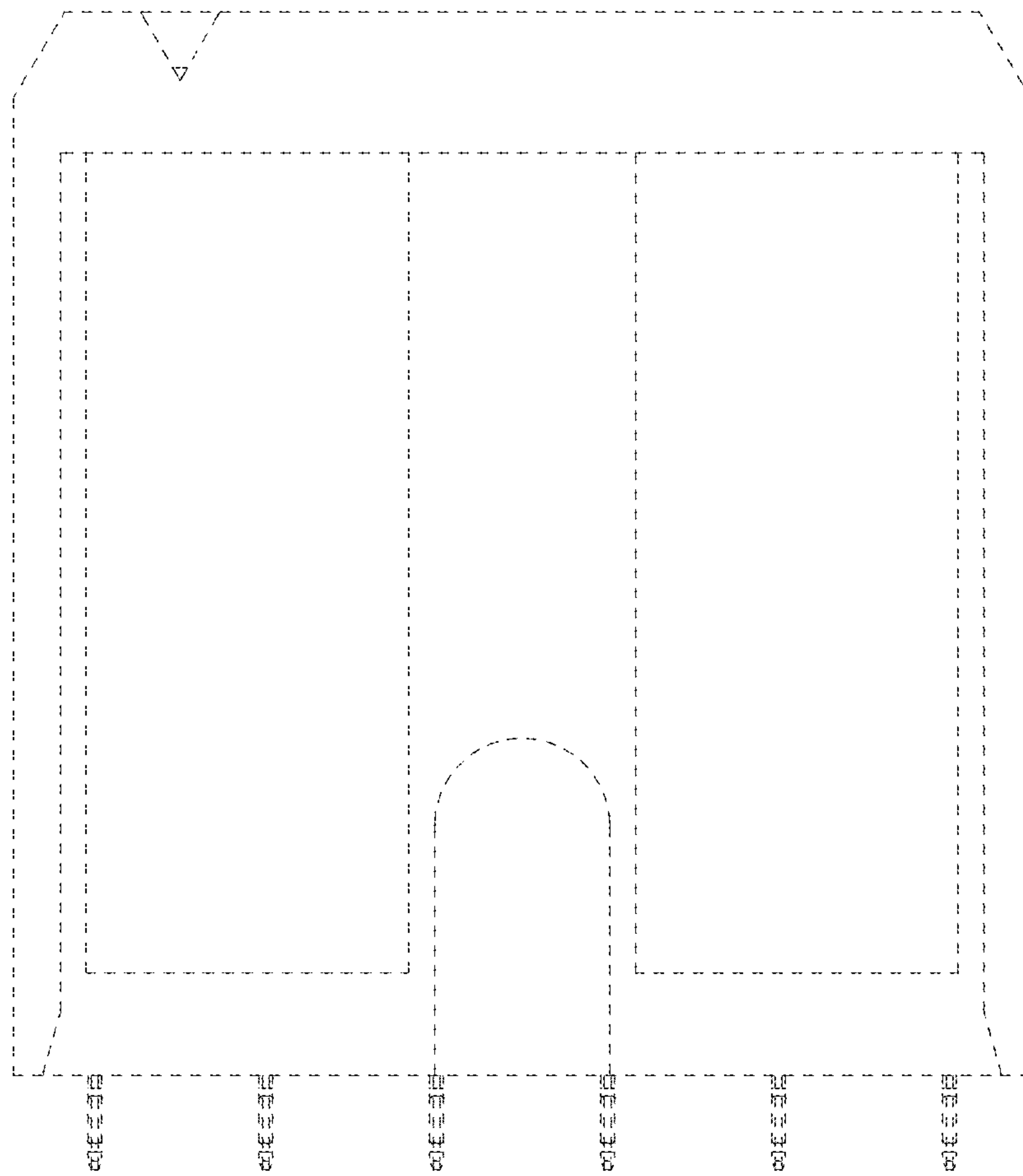


FIG. 6

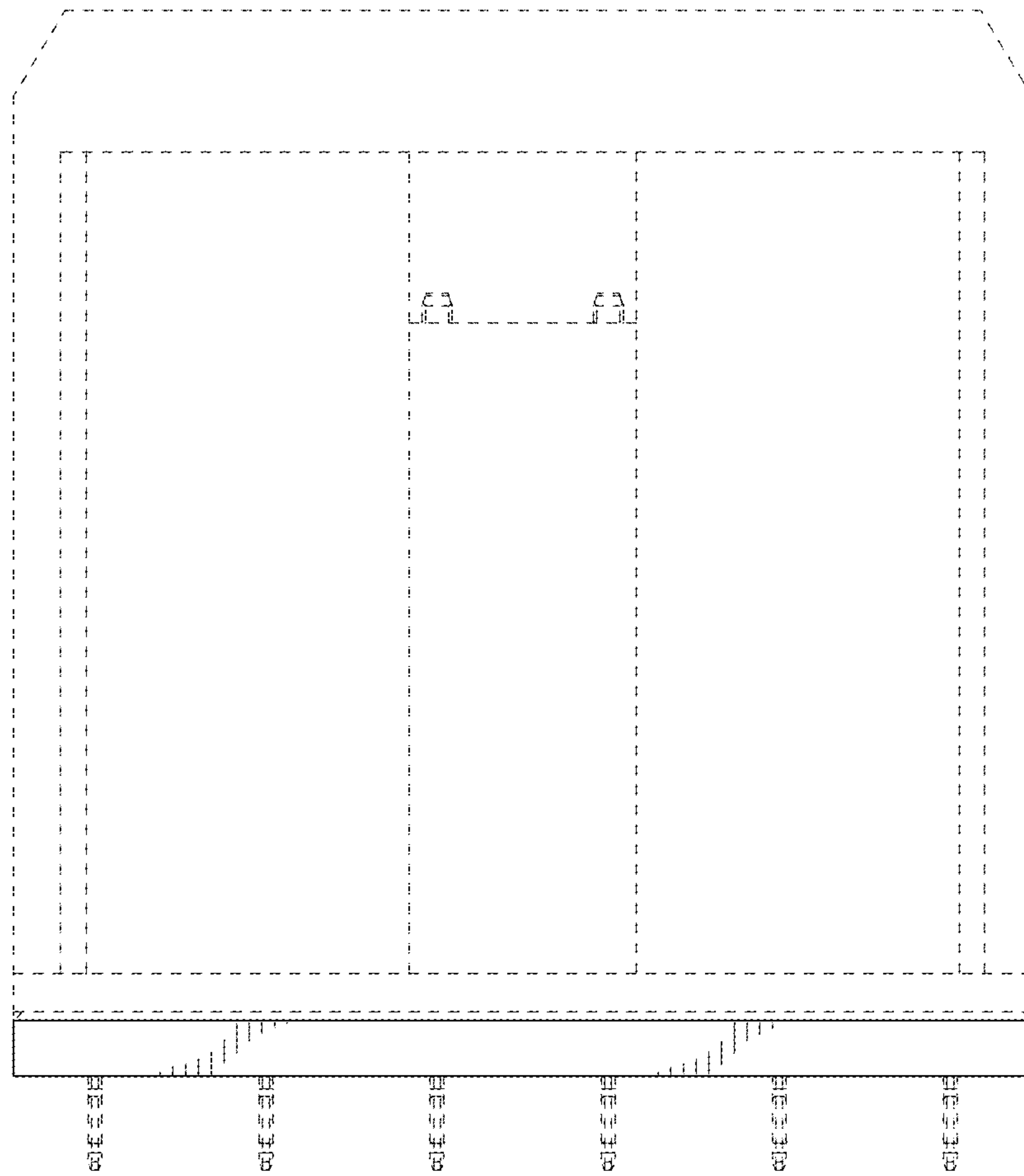


FIG. 7

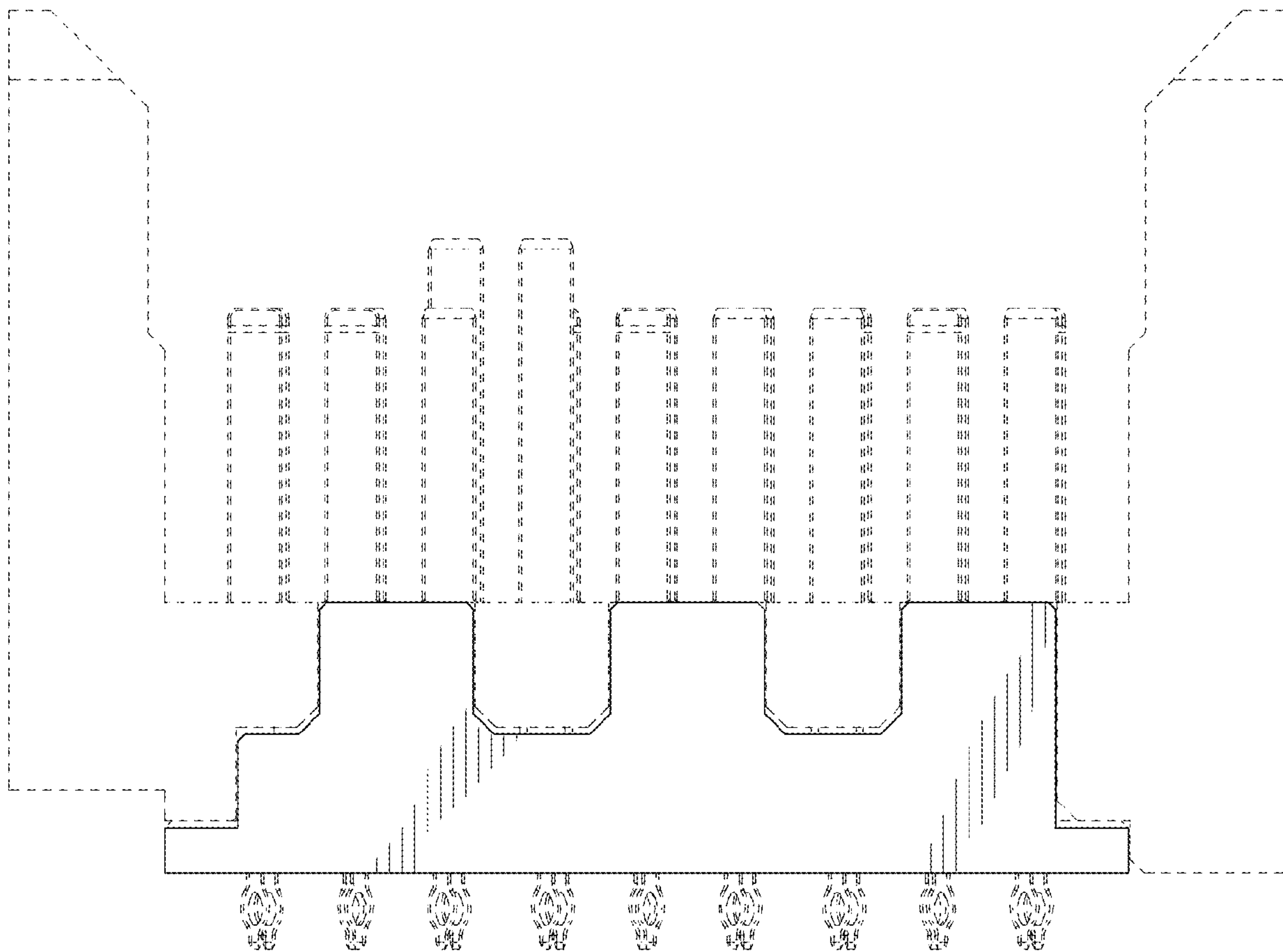


FIG. 8

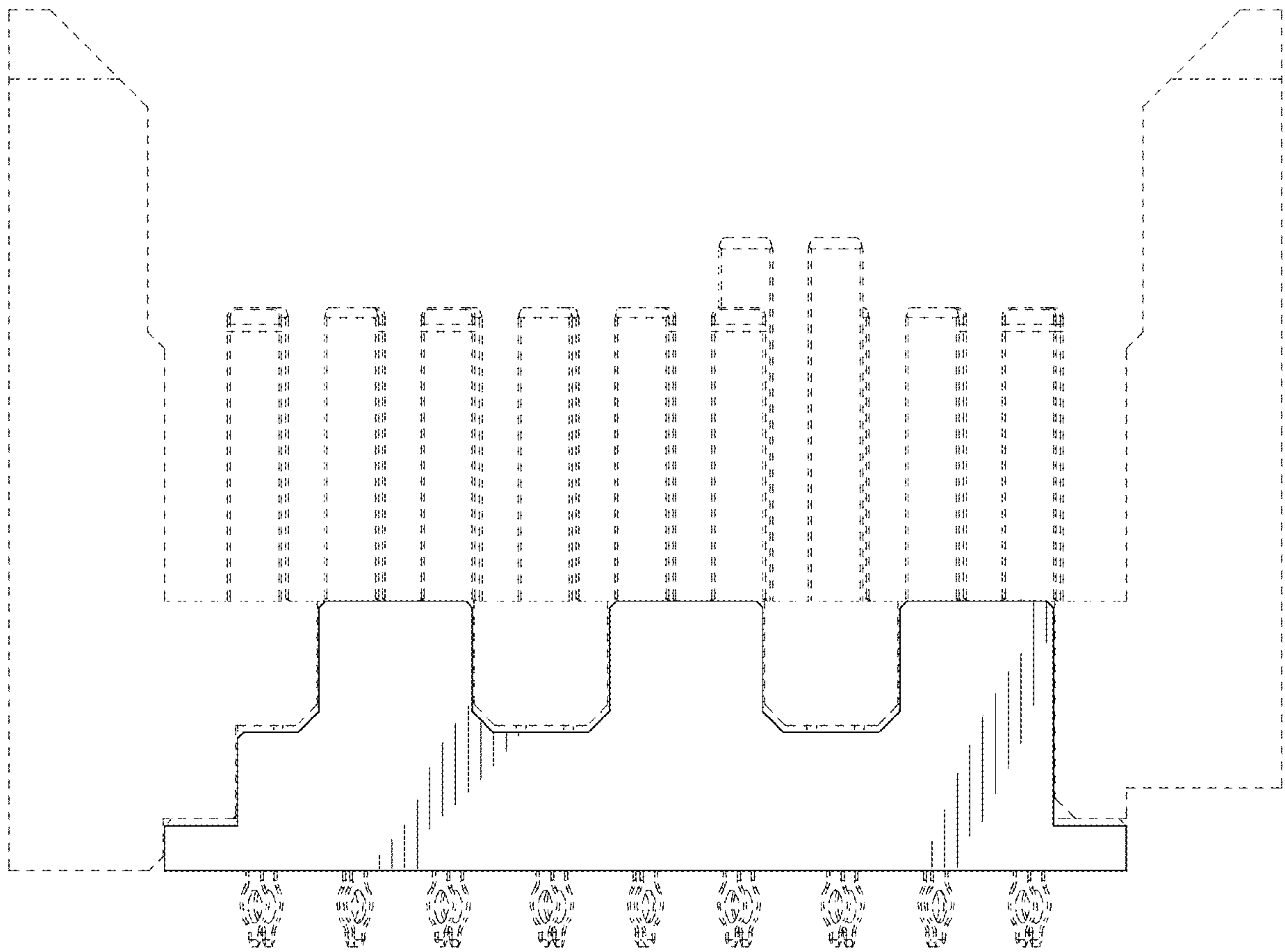


FIG. 9

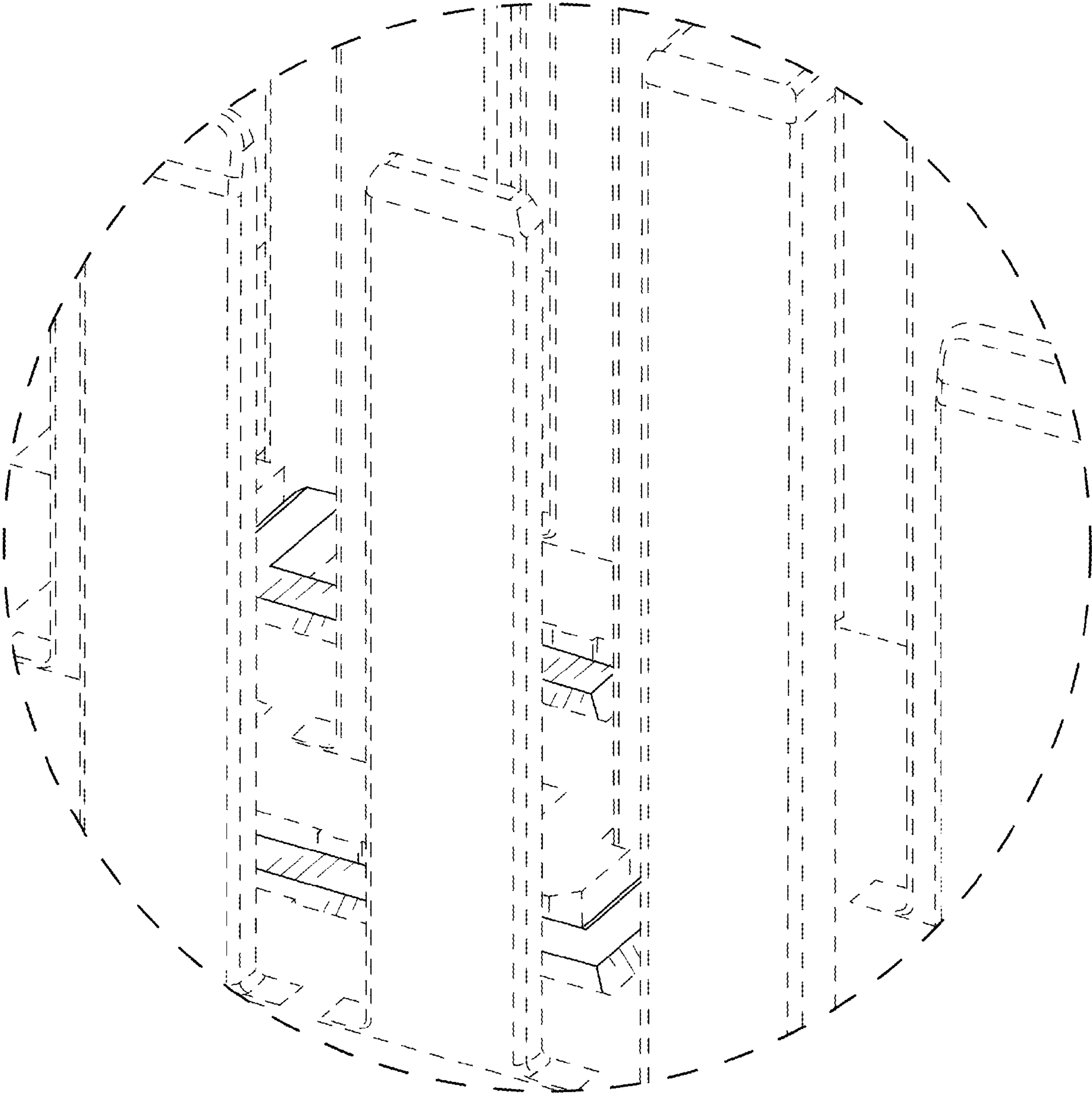


FIG. 10

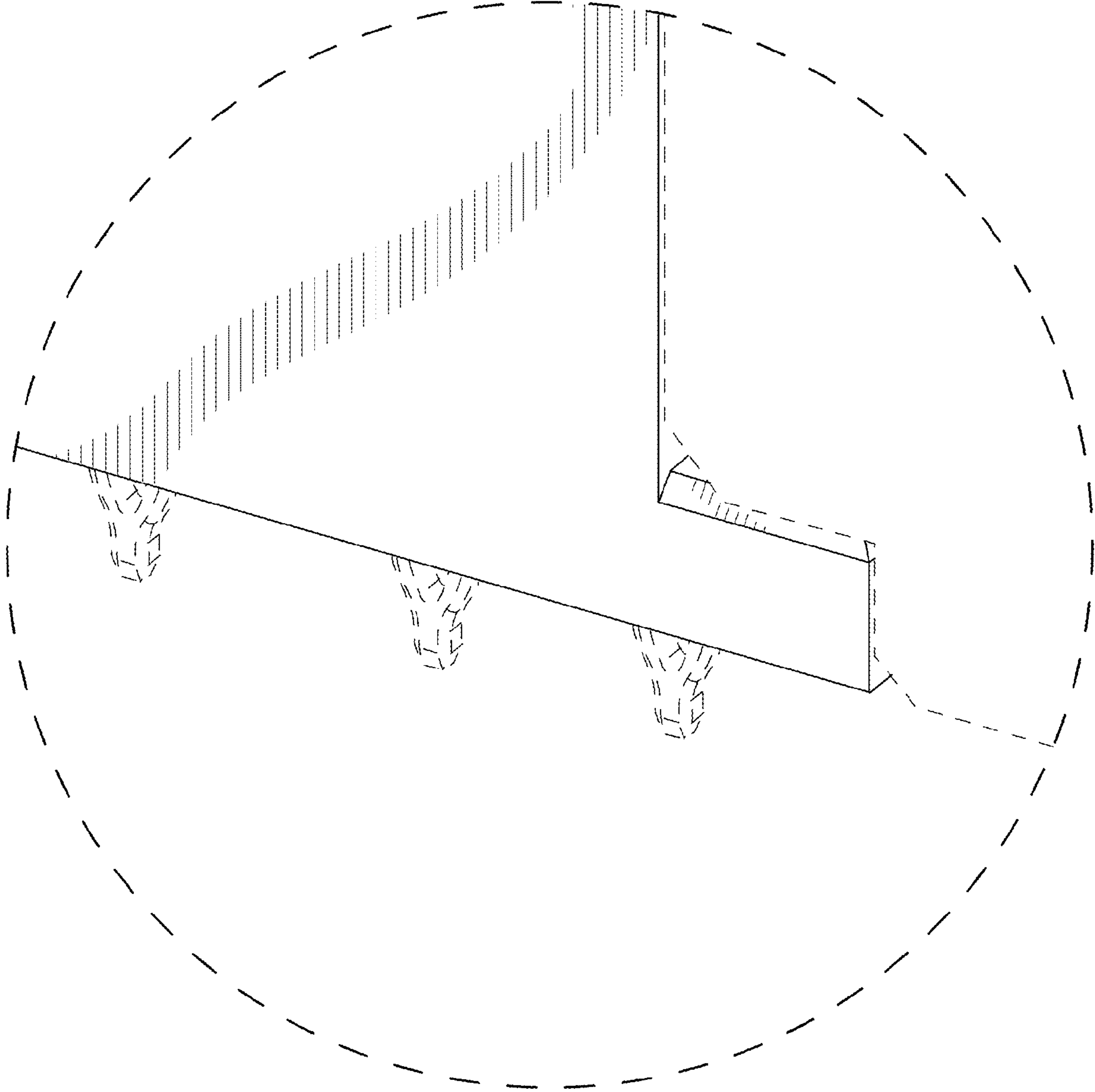


FIG. 11