

US00D926700S

(12) **United States Design Patent** (10) **Patent No.:** **US D926,700 S**
Terajima et al. (45) **Date of Patent:** **** Aug. 3, 2021**

(54) **ELECTRICAL CONNECTOR**
(71) Applicant: **Tyco Electronics Japan G.K.,**
Kawasaki (JP)
(72) Inventors: **Keita Terajima, Kawasaki (JP);**
Takashi Shimoyasu, Kawasaki (JP)
(73) Assignee: **Tyco Electronics Japan G.K.,**
Kawasaki (JP)
(**) Term: **15 Years**

(21) Appl. No.: **29/702,639**
(22) Filed: **Aug. 21, 2019**
(30) **Foreign Application Priority Data**
Mar. 8, 2019 (JP) 2019-004817
(51) **LOC (13) Cl.** **13-03**
(52) **U.S. Cl.**
USPC **D13/147**
(58) **Field of Classification Search**
USPC D13/103, 107, 108, 118–121, 123, 133,
D13/145–147, 149, 151, 153, 154, 173,
D13/184, 199
CPC . H01R 4/24; H01R 4/48; H01R 13/00; H01R
13/40; H01R 13/46; H01R 13/50; H01R
13/502; H01R 13/627; H01R 43/00
See application file for complete search history.

(56) **References Cited**
U.S. PATENT DOCUMENTS
D242,630 S * 12/1976 Sheesley D14/256
D524,742 S * 7/2006 Kumagai D13/147
D564,453 S * 3/2008 Kudo D13/147
D613,693 S * 4/2010 Bender D13/147
D618,619 S * 6/2010 Walter D13/147
D676,391 S * 2/2013 Gassauer D13/147
D678,205 S * 3/2013 Shifris D13/133

D730,293 S * 5/2015 Wu D13/147
D731,436 S * 6/2015 Teranishi D13/154
D797,054 S * 9/2017 Chen D13/147
D841,587 S * 2/2019 Terajima D13/133
2018/0301823 A1* 10/2018 Riku H01R 4/4845
2018/0301824 A1* 10/2018 Riku H01R 13/50
2020/0259301 A1* 8/2020 Schmitz H01R 13/7175
2020/0350722 A1* 11/2020 Mastel H01R 13/514

FOREIGN PATENT DOCUMENTS

JP 1230095 2/2005
JP 1230278 2/2005

* cited by examiner

Primary Examiner — Shawn T Gingrich
(74) *Attorney, Agent, or Firm* — Barley Snyder

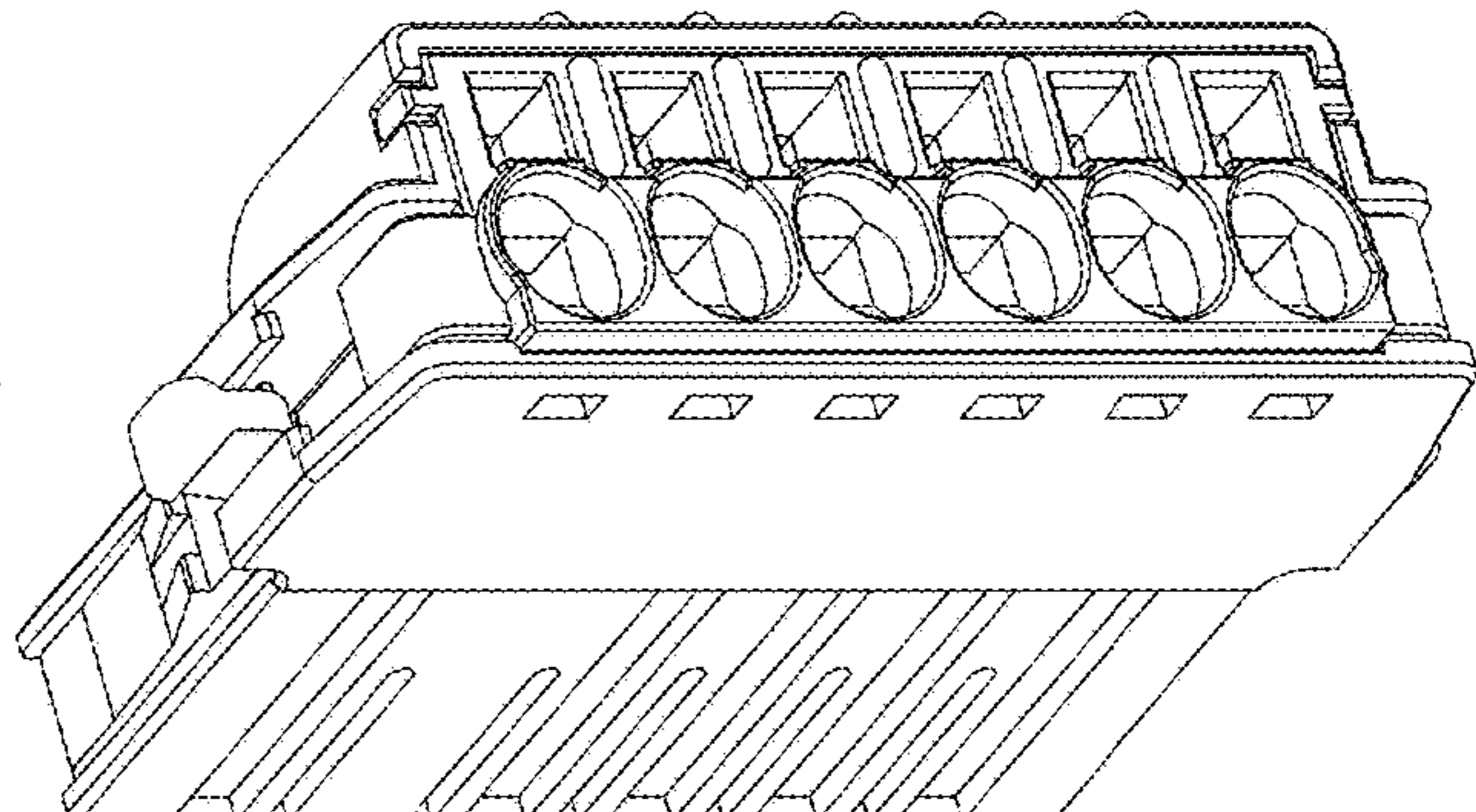
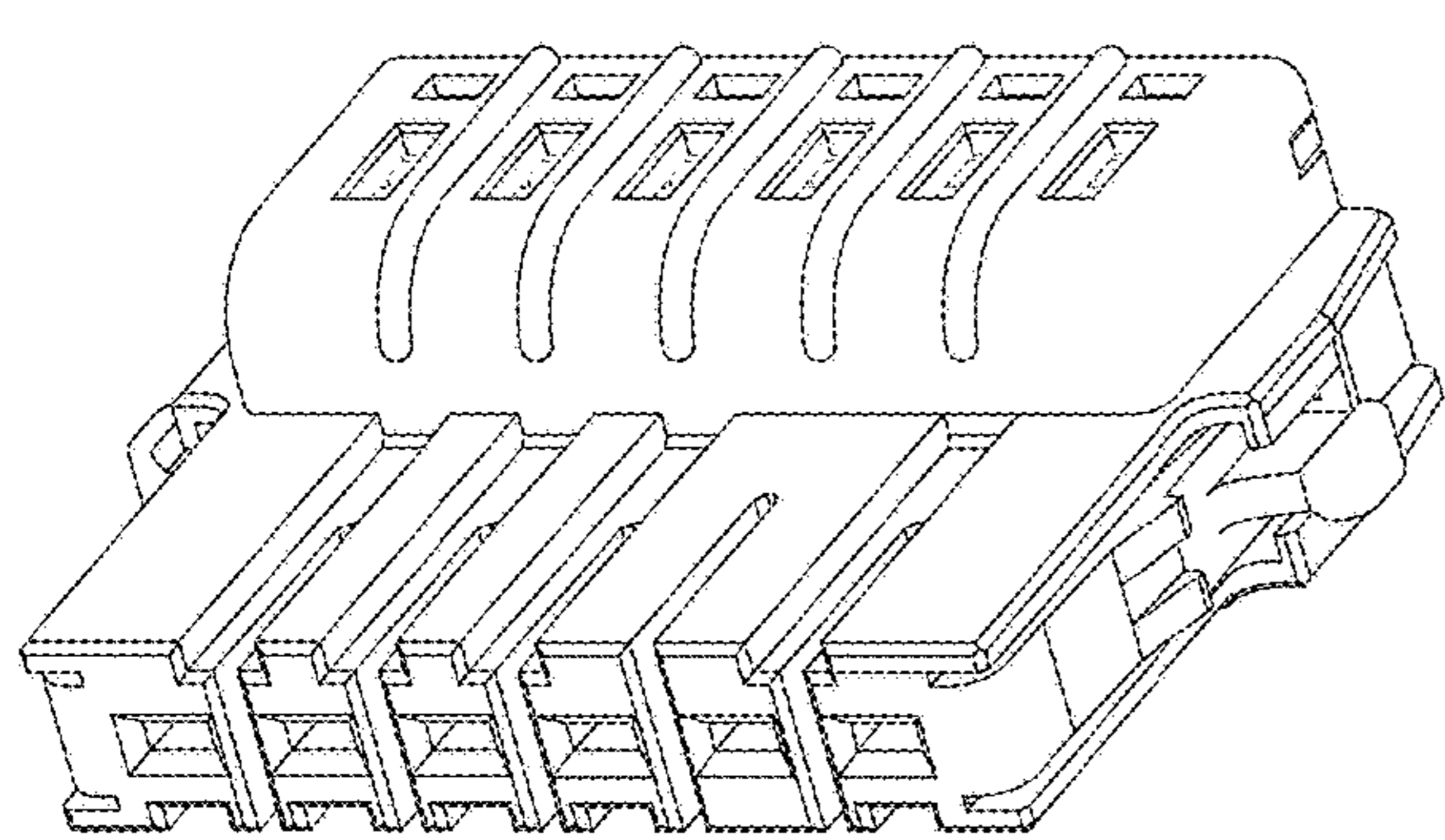
(57) **CLAIM**

The ornamental design for an electrical connector, as shown and described.

DESCRIPTION

FIG. 1 is a top plan view of a connector housing, showing the new design;
FIG. 2 is a front elevation view thereof;
FIG. 3 is a rear elevation view thereof;
FIG. 4 is a bottom plan view thereof;
FIG. 5 is a right side elevation view thereof;
FIG. 6 is a left side elevation view thereof;
FIG. 7 is a front, top and right side perspective view thereof;
FIG. 8 is a front, bottom and left side perspective view thereof;
FIG. 9 is a rear, top and left side perspective view thereof;
and,
FIG. 10 is a rear, bottom, and right side perspective view thereof.
The broken lines shown in the drawings illustrate portions of the connector housing that form no part of the claimed design.

1 Claim, 10 Drawing Sheets



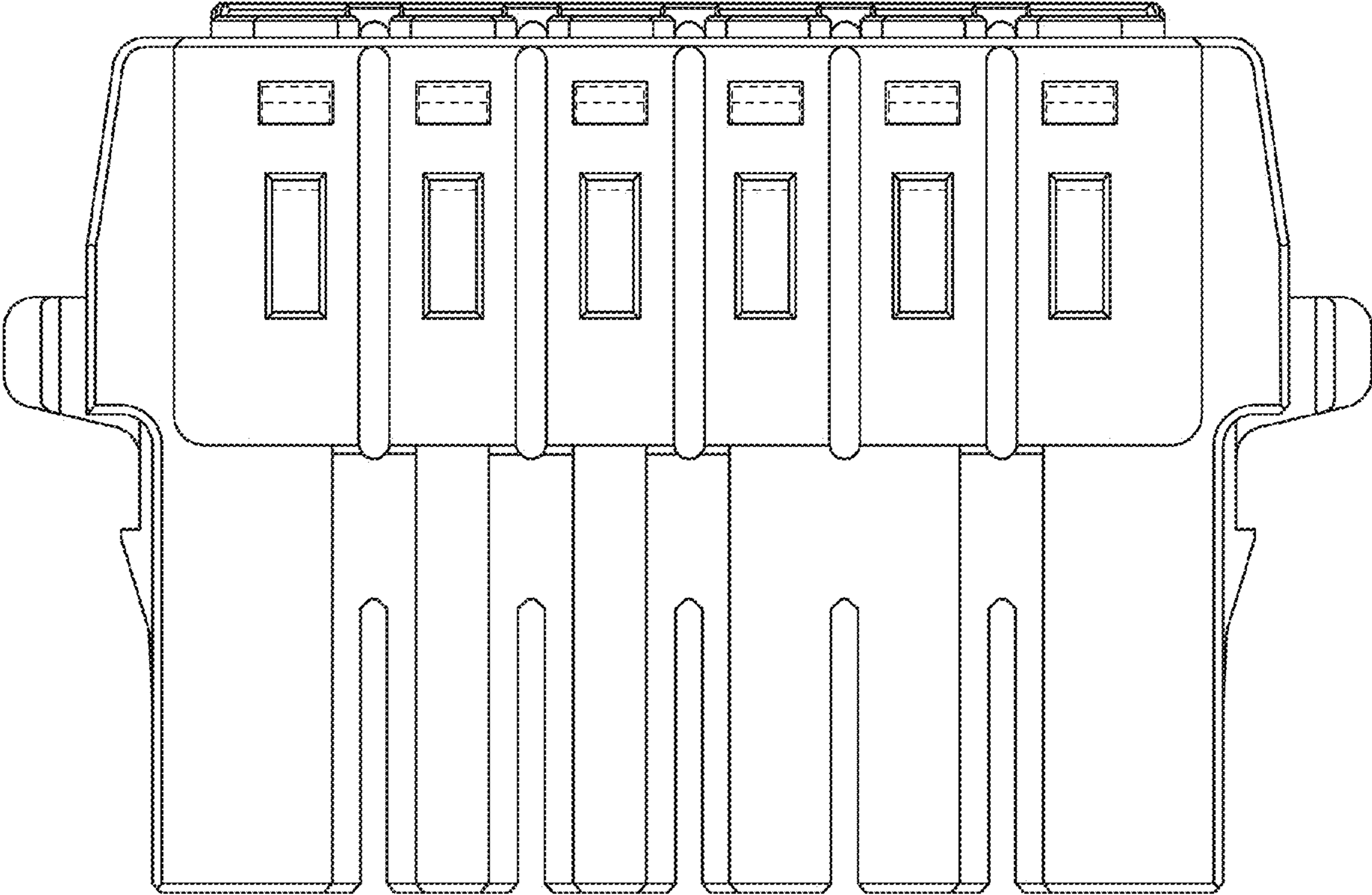
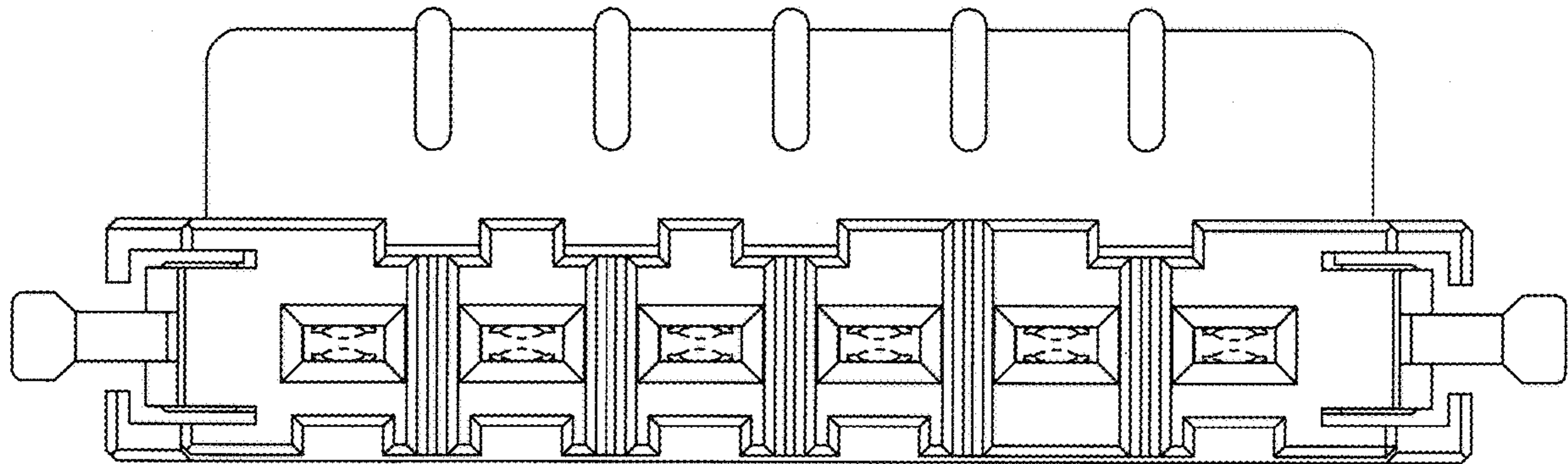


FIG. 1

Fig. 2



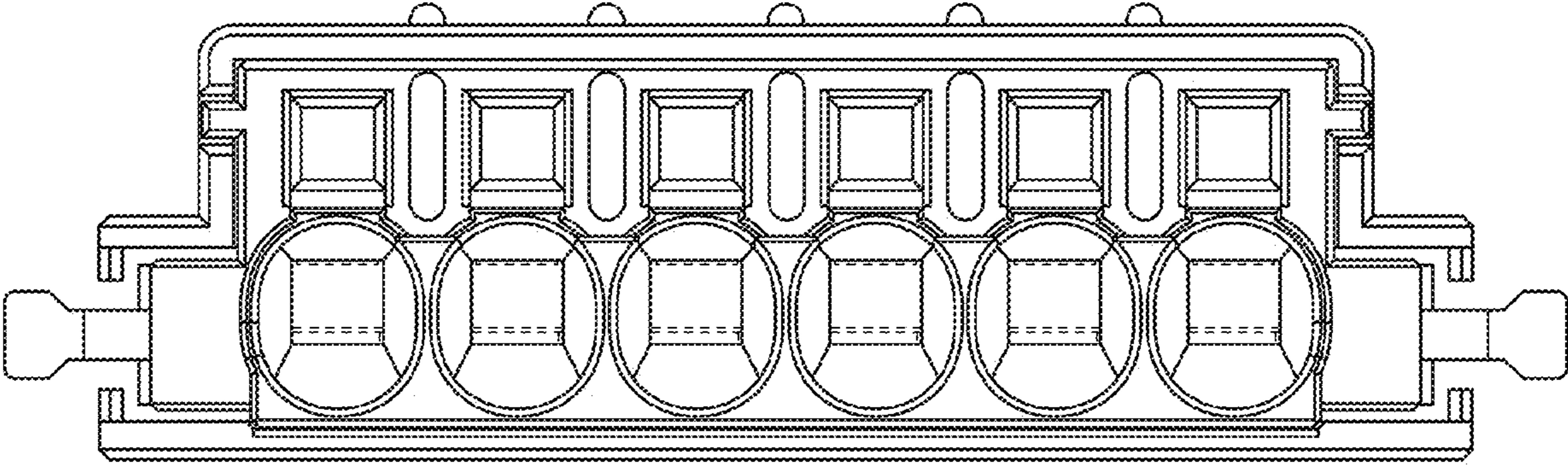


FIG. 3

Fig. 4

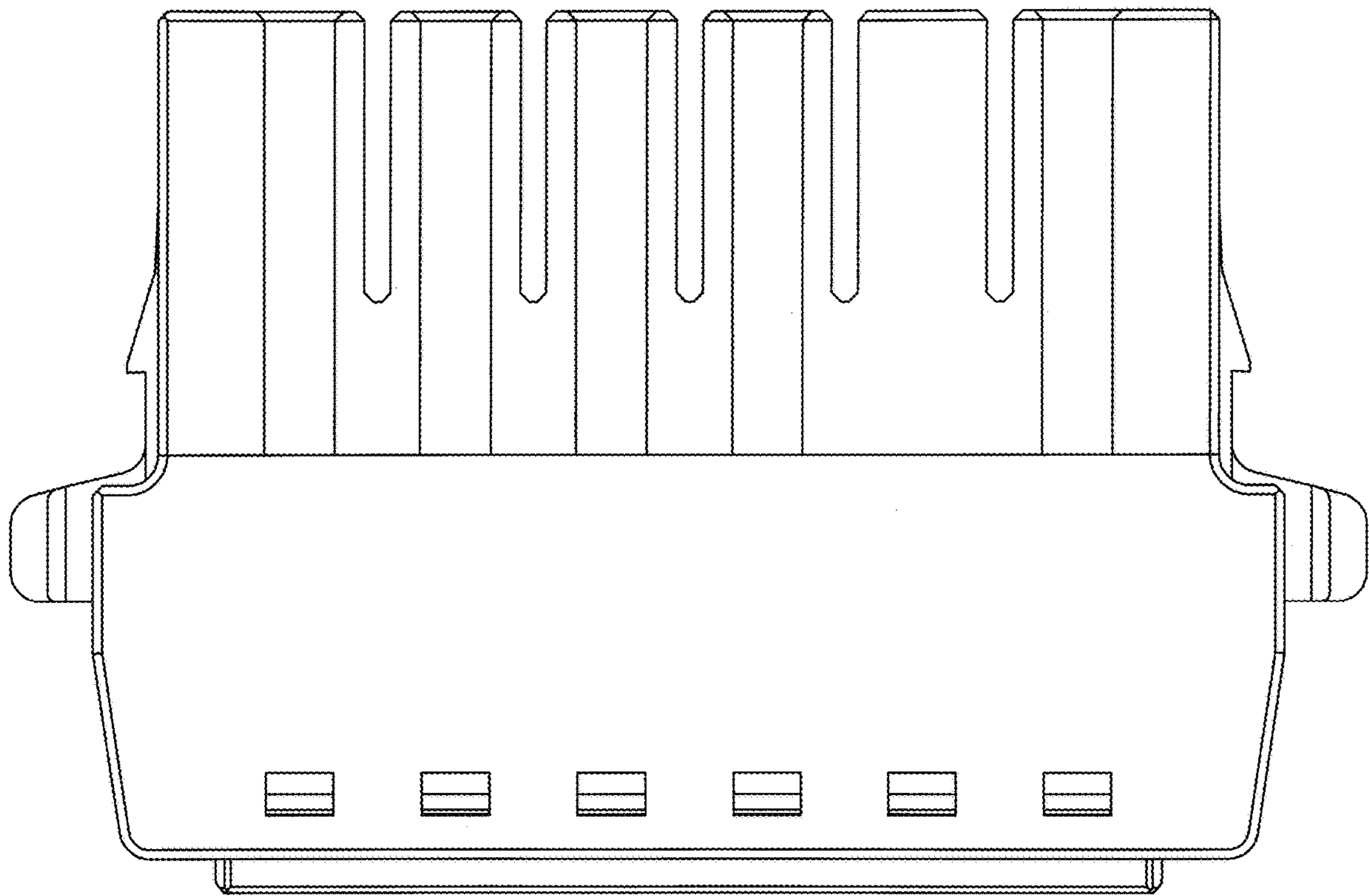


Fig. 5

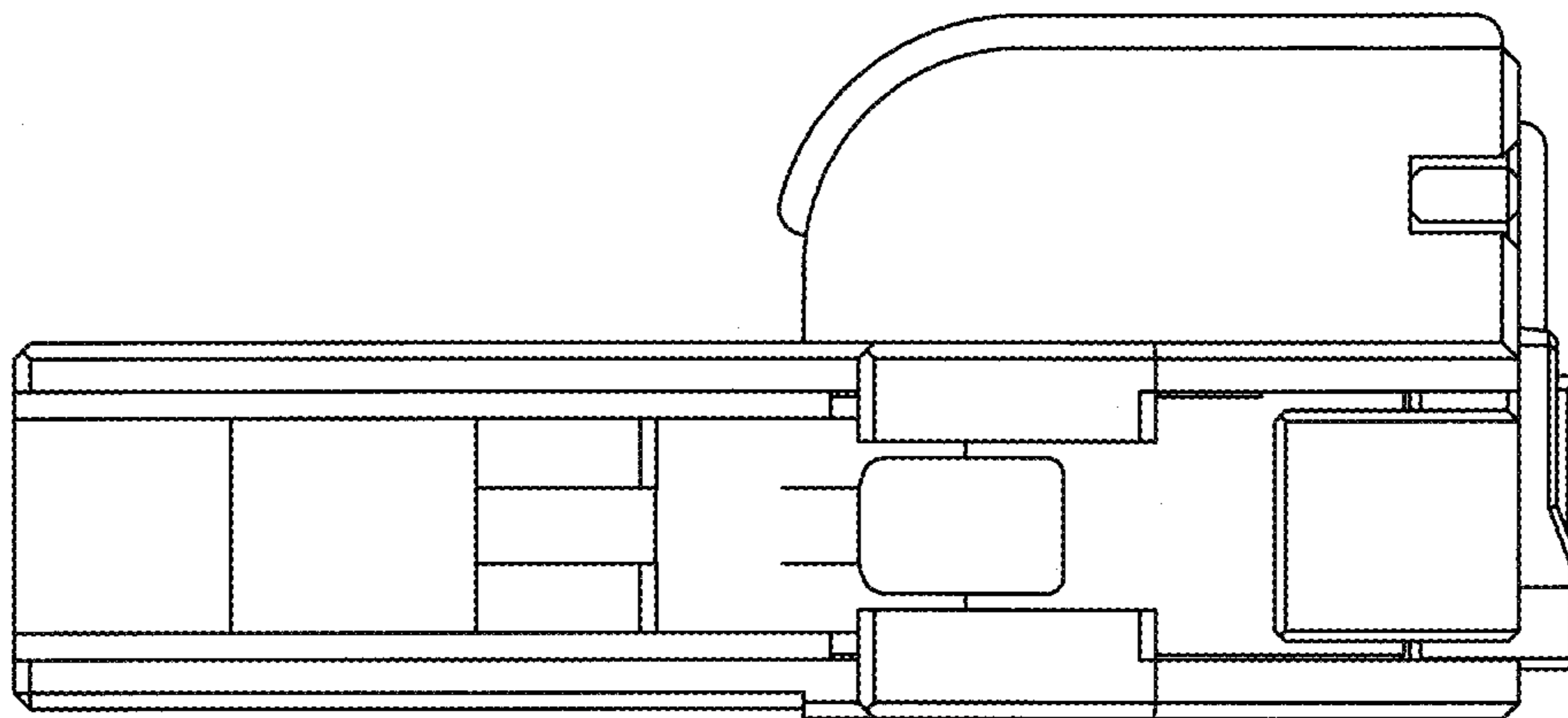
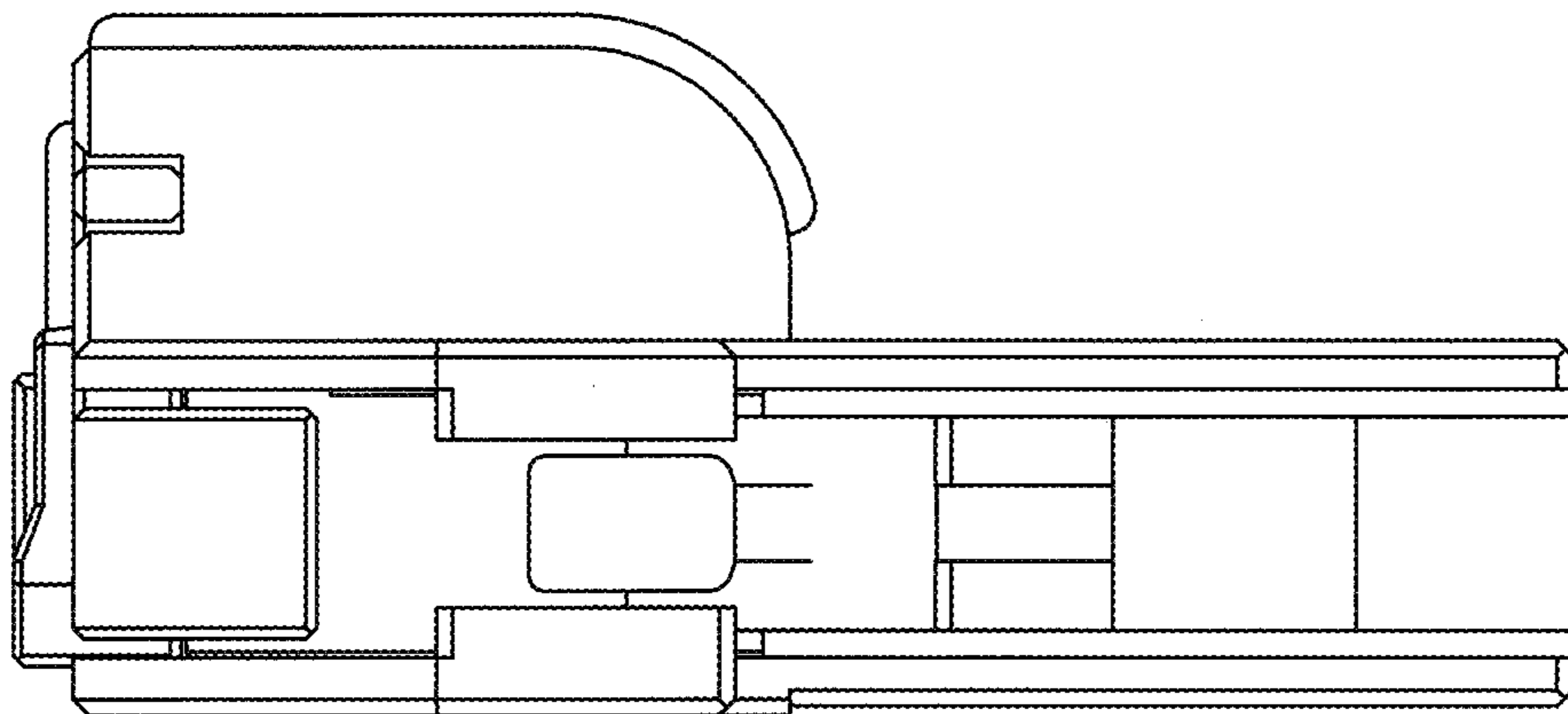


Fig. 6



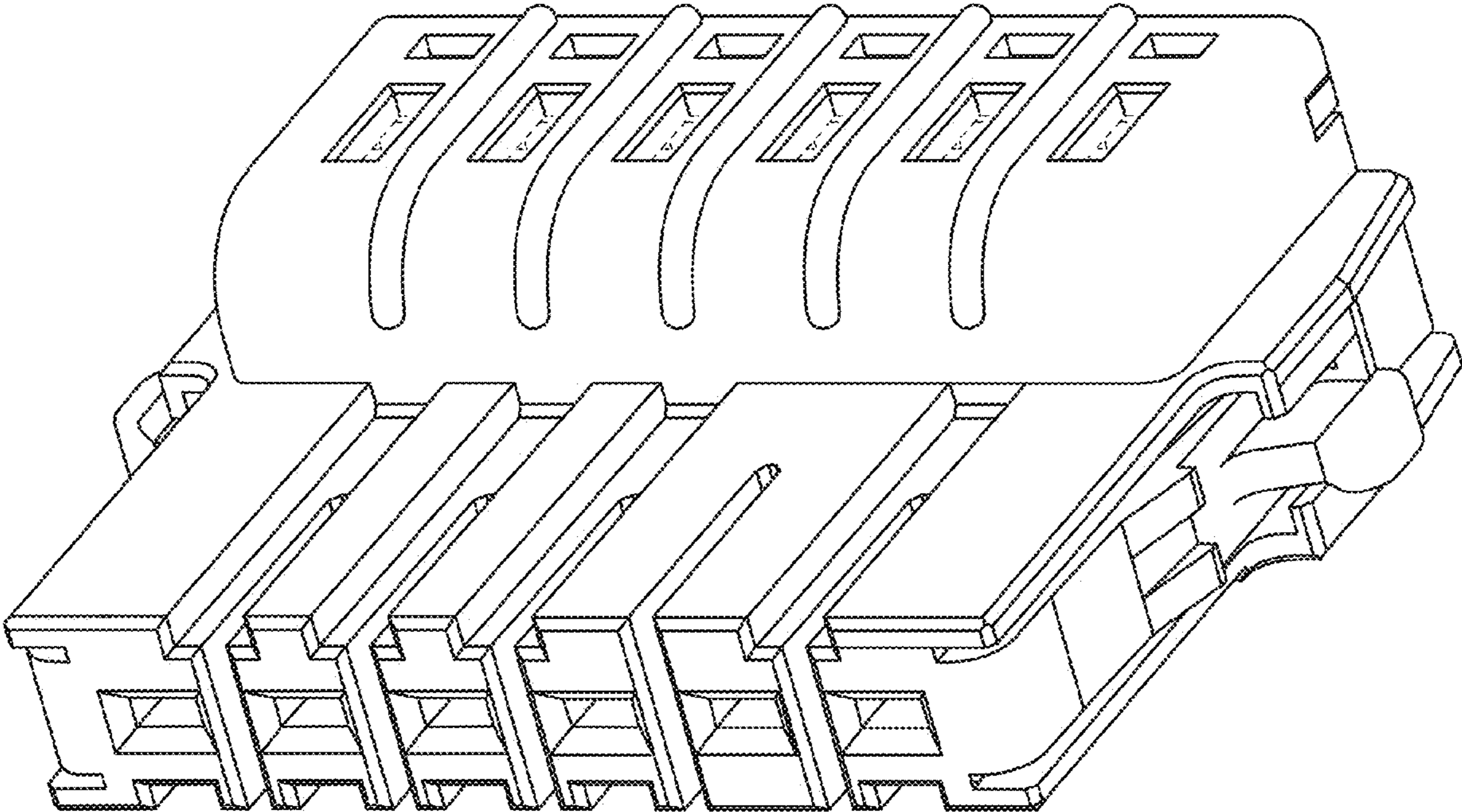
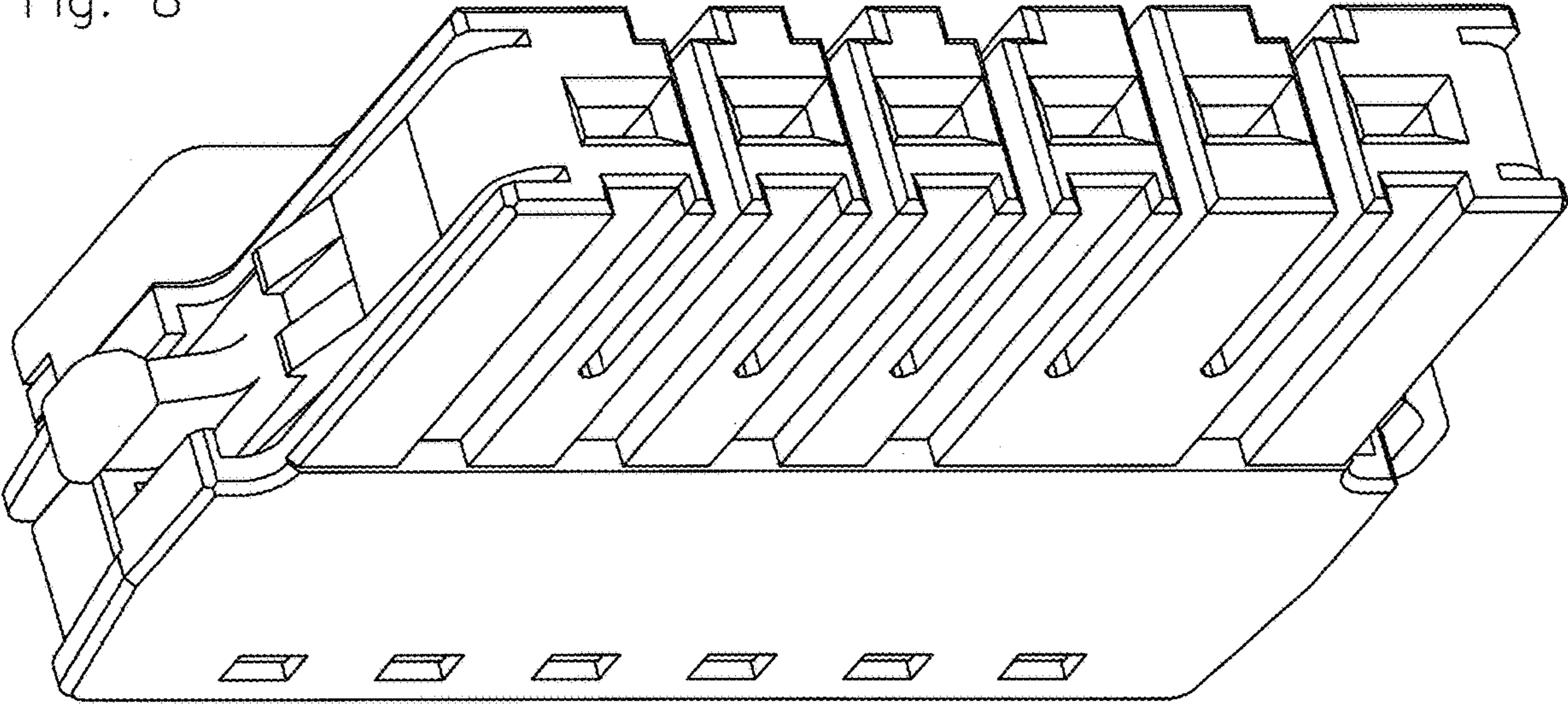


FIG. 7

Fig. 8



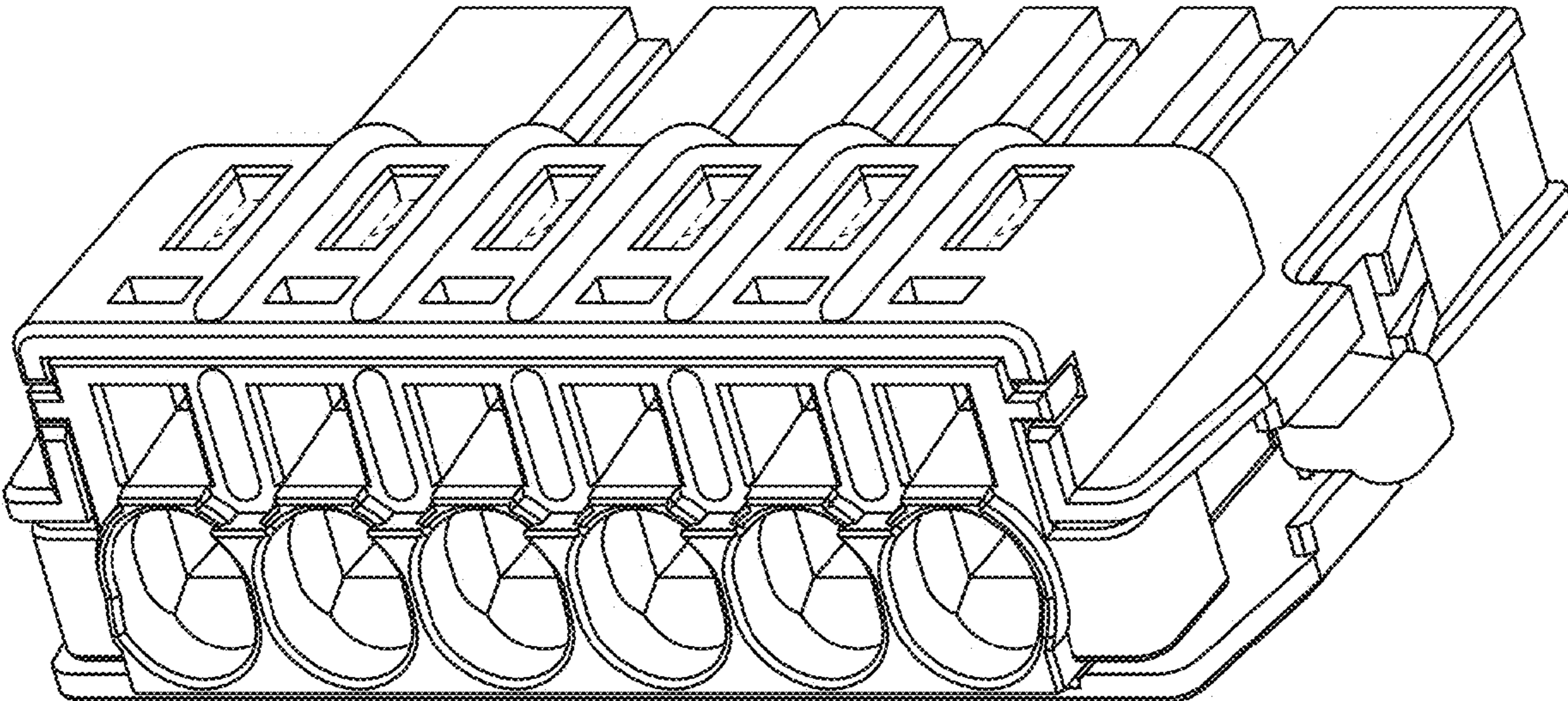


FIG. 9

Fig. 10

